



Direct Vent Tankless Water Heater Installation and Operation Manual

FOR INDOOR APPLICATIONS ONLY

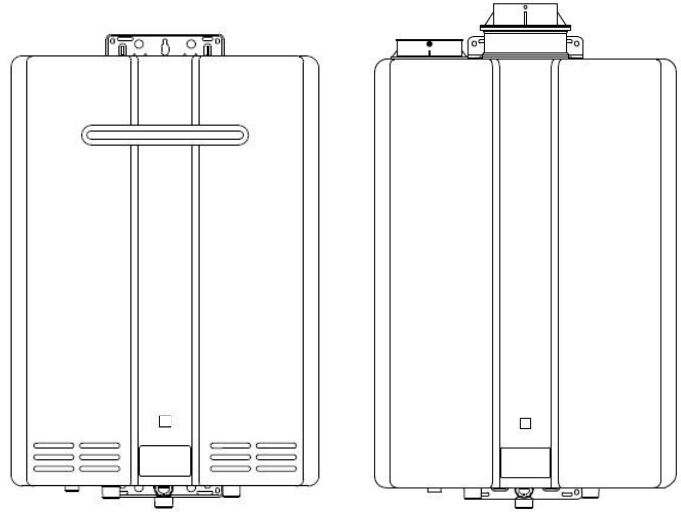
RUCS65i REU-KCM2025FFU-US

RUCS75i REU-KCM2528FFU-US

FOR OUTDOOR APPLICATIONS ONLY

RUS65e REU-KCM2025W-US

RUS75e REU-KCM2528W-US



ANSI Z21.10.3 • CSA 4.3

READ ALL OF THE INSTRUCTIONS THOROUGHLY BEFORE INSTALLING OR OPERATING THIS WATER HEATER.

This manual provides information on the installation, operation, and maintenance of the water heater. For proper operation and **safety**, it is important to follow the instructions and adhere to the safety precautions.

A licensed professional must install the water heater according to the exact instructions in this manual.

The consumer must read the entire manual to properly operate the water heater and to have regular maintenance performed.

⚠ WARNING If the information in these instructions is not followed exactly, a fire or explosion may result causing property damage, personal injury, or death.

- Do not store or use gasoline or other flammable vapors and liquids in the vicinity of this or any other appliance.
- **WHAT TO DO IF YOU SMELL GAS**
 - Do not try to light any appliance.
 - Do not touch any electrical switch; do not use any phone in your building.
 - Immediately call your gas supplier from a neighbor’s phone. Follow the gas supplier’s instructions.
 - If you cannot reach your gas supplier, call the fire department.
- Installation and service must be performed by a licensed professional.

Table of Contents

Table of Contents	2	Checklist for Gas and Electricity	43
Safety Behaviors and Practices for the Consumer and Installer	3	Installation of Temperature Controller	44
Installation Instructions (for the licensed professional)	4	Final Checklist.....	46
Prepare for Installation	5	Technical Data	47
Determine Installation Location	6	Specifications	47
Freeze Protection.....	10	Dimensions.....	48
Checklist to Determine Installation Location... ..	11	Pressure Drop and Water Flow Curves.....	49
Mount to Wall.....	11	Ladder Diagram.....	50
Remove the Front Panel	11	Operation Instructions	51
Installation of Venting (indoor models only)	12	Consumer Operation Guidelines for the Safe Operation of your Water Heater	52
Determining Vent Configuration.....	13	How to set the Temperature	53
Twin Pipe PVC/CPVC Vent Installation.....	20	How to use the Optional Temperature Controller	54
Condensate	37	Diagnostic Codes	56
Checklist for Venting and Condensate (indoor models only).....	37	Required Maintenance	59
Installation of Plumbing.....	38	Freeze Protection and Winterization	60
Checklist for Plumbing	41	Flushing the Heat Exchanger.....	61
Installation of Gas Supply	41	Manual Draining of the Water Heater	62
Connect Electricity	43	State Regulations.....	63
Adjustment for High Altitude Installations	43	Replacement Parts	64
Adjustment for Vent Length (indoor models only).....	43	Warranty.....	65
		French Version.....	67

NOTICE: Rinnai sometimes shares customer contact information with businesses that we believe provide products or services that may be useful to you. By providing this information, you agree that we can share your contact information for this purpose. If you prefer not to have your information shared with these businesses, please contact customer service and ask not to have your information shared. We will however, continue to contact you with information relevant to the product(s) you registered and/or your account with us.

If you have any questions or feel that the manual is incomplete contact Rinnai at 1-800-621-9419.

Important Safety Information

Safety Definitions



This is the safety alert symbol. This symbol alerts you to potential hazards that can kill or hurt you and others.



Indicates an imminently hazardous situation which, if not avoided, will result in personal injury or death.



Indicates a potentially hazardous situation which, if not avoided, could result in personal injury or death.



Indicates a potentially hazardous situation which, if not avoided, could result in minor or moderate injury. It may also be used to alert against unsafe practices.

Safety Behaviors and Practices for the Consumer and Installer

WARNING

- Before operating, smell all around the appliance area for gas. Be sure to smell next to the floor because some gas is heavier than air and will settle on the floor.
- Keep the area around the appliance clear and free from combustible materials, gasoline, and other flammable vapors and liquids.
- Combustible construction refers to adjacent walls and ceiling and should not be confused with combustible or flammable products and materials. Combustible and/or flammable products and materials should never be stored in the vicinity of this or any gas appliance.
- Always check the water temperature before entering a shower or bath.
- To protect yourself from harm, before performing maintenance:
 - ◇ Turn off the electrical power supply by unplugging the power cord or by turning off the electricity at the circuit breaker. (The temperature controller does not control the electrical power.)
 - ◇ Turn off the gas at the manual gas valve, usually located immediately below the water heater.
 - ◇ Turn off the incoming water supply. This can be done at the isolation valve immediately below the water heater or by turning off the water supply to the building.
- Use only your hand to push in or turn the gas control knob. Never use tools. If the knob will not push in or turn by hand, do not try to repair it; call a licensed professional. Force or attempted repair may result in a fire or explosion.
- Do not use this appliance if any part has been under water. Immediately call a licensed professional to inspect the appliance and to replace any part of the control system and any gas control which has been under water.
- Do not use substitute materials. Use only parts certified for the appliance.
- Should overheating occur or the gas supply fail to shut off, turn off the manual gas control valve to the appliance.
- Do not adjust the DIP switch unless specifically instructed to do so.
- Do not use an extension cord or an adapter plug with this appliance.
- Any alteration to the appliance or its controls can be dangerous and will void the warranty.
- Proper venting is required for the safe operation of this appliance.

CAUTION

- BURN HAZARD. Hot exhaust and vent may cause serious burns. Keep away from the water heater unit. Keep small children and animals away from the unit.
- Hot water outlet pipes leaving the unit can be hot to touch. In residential applications, insulation must be used for hot water pipes below 36" due to burn risk to children.

WARNING

California law requires this notice to be provided:

California Proposition 65:

This product contains chemicals known to the state of California to cause cancer, birth defects, or other reproductive harm.

Installation Instructions

(for the licensed professional)

Installer Qualifications

A licensed professional must install the appliance, inspect it, and leak test it before use. The warranty will be voided due to any improper installation.

The installer should have skills such as:

- Gas sizing.
- Connecting gas lines, water lines, valves, and electricity.
- Knowledge of applicable national, state, and local codes.
- Installing venting through a wall or roof.
- Training in installation of tankless water heaters. (Training can be accessed on-line at www.trainingevents.rinnai.us)

Type of installation

- For installation in residential applications only.
- Certified for installation in manufactured (mobile) homes.

Installation Steps

Prepare for Installation	5
Determine Installation Location.....	6
Freeze Protection.....	10
Checklist to Determine Installation Location ...	11
Mount to Wall.....	11
Remove the Front Panel	11
Installation of Venting (indoor models only) ...	12
Condensate (indoor models only).....	37
Checklist for Venting and Condensate	37
Installation of Plumbing	38
Checklist for Plumbing	41
Installation of Gas Supply.....	41
Connect Electricity	43
Adjustment for High Altitude Installations	43
Adjustment for Vent Length (indoor models only).....	43
Checklist for Gas and Electricity.....	43
Installation of Optional Temperature Controller	44
Final Checklist.....	46

General Instructions

DO NOT

- Do not install the RUCS65i, or the RUCS75i outdoors.
- Do not install the RUS65e, or the RUS75e indoors.
- Do not install the appliance in an area where water leakage of the unit or connections will result in damage to the area adjacent to the appliance or to lower floors of the structure. When such locations cannot be avoided, it is recommended that a suitable drain pan, adequately drained, be installed under the appliance. The pan must not restrict combustion air flow.
- Do not obstruct the flow of combustion and ventilation air. Combustion air shall not be supplied from occupied spaces.
- Do not use this appliance in an application such as a pool or spa heater that uses chemically treated water. (This appliance is suitable for filling large or whirlpool spa tubs with potable water.)
- Do not use substitute parts that are not authorized for this appliance.

MUST DO

- The installation must conform with local codes or, in the absence of local codes, with the *National Fuel Gas Code, ANSI Z223.1/NFPA 54*, or the *Natural Gas and Propane Installation Code, CSA B149.1*. If installed in a manufactured home, the installation must conform with the *Manufactured Home Construction and Safety Standard, Title 24 CFR, Part 3280* and/or *CAN/SCA Z240 MH Series, Mobile Homes*.
- The appliance, when installed, must be electrically grounded in accordance with local codes or, in the absence of local codes, with the *National Electrical Code, ANSI/NFPA 70*, or the *Canadian Electrical Code, CSA C22.1*.
- The appliance and its appliance main gas valve must be disconnected from the gas supply piping system during any pressure testing of that system at test pressures in excess of 1/2 psi (3.5 kPa) (13.84 in W.C.).

General Instructions (continued)

- The appliance must be isolated from the gas supply piping system by closing its individual manual shutoff valve during any pressure testing of the gas supply piping system at test pressures equal to or less than 1/2 psi (3.5 kPa) (13.84 in W.C.).
- You must follow the installation instructions and those in *Care and Maintenance* for adequate combustion air intake and exhaust.

INFORMATION

- If a water heater is installed in a closed water supply system, such as one having a backflow preventer in the cold water supply line, means shall be provided to control thermal expansion. Contact the water supplier or local plumbing inspector on how to control thermal expansion.
- Should overheating occur or the gas supply fail to shut off, turn off the manual gas control valve to the appliance.
- Keep the air intake location free of chemicals, such as chlorine or bleach, that produce fumes. These fumes can damage components and reduce the life of your appliance.

Prepare for installation

Parts included

- Tankless water heater
- Self Tapping Screws (Qty - 2)

Tools needed

- Pipe wrenches (2)
- Adjustable pliers
- Screwdrivers (2)
- Wire cutters
- Gloves
- Safety glasses
- Level

Tools that might be needed

- Hammer drill with concrete bits
- Saw
- Threading machine with heads and oiler
- Core drill with diamond head
- Torch set
- Copper tubing cutter
- Steel pipe cutter

Materials needed

- Soap or gas leak detector solution
- Approved venting
- Teflon tape (recommended) or pipe compound
- Pressure Relief Valve

Materials that may be needed

- Heat tape
- Pipe insulation
- Electrical wire and conduit per local code
- Concrete wall anchors
- Optional pipe cover
- Optional temperature controller (MC-91-2)
- PVC glue/cement
- 5/8" ID PVC flexible tubing
- 2 conductor 22 AWG wire for controller
- Single gang electrical box
- Wire nuts
- Unions and drain valves
- Isolation Valve Kit

Determine Installation Location

You must ensure that clearances will be met and that the vent length will be within required limits. Consider the installation environment, water quality, and need for freeze protection. Requirements for the gas line, water lines, electrical connection, and condensate disposal can be found in their respective installation sections of this manual.

Water Quality

Consideration of care for your water heater should include evaluation of water quality.

The water must be potable, free of corrosive chemicals, sand, dirt, or other contaminants. It is up to the installer to ensure the water does not contain corrosive chemicals, or elements that can affect or damage the heat exchanger. Water that contains chemicals exceeding the levels below affect and damage the heat exchanger. Replacement of the heat exchanger due to water quality damage is not covered by the warranty.

	Maximum Level
Total Hardness	Up to 200 mg / L
Aluminum *	Up to 0.2 mg / L
Chlorides *	Up to 250 mg / L
Copper *	Up to 1.0 mg / L
Dissolved Carbon Dioxide (CO2)	Up to 15.0 mg / L or PPM
Iron *	Up to 0.3 mg / L
Manganese *	Up to 0.05 mg / L
pH *	6.5 to 8.5
TDS (Total Dissolved Solids) *	Up to 500 mg / L
Zinc *	Up to 5 mg / L

* Source: Part 143 National Secondary Drinking Water Regulations

If you install this water heater in an area that is known to have hard water or that causes scale build-up the water must be treated and may require more frequent heat exchanger flushing schedule.

When scale build-up in the heat exchanger begins to affect the performance of the water heater, a diagnostic code "LC#" will display. Flush the heat exchanger to prevent damage to it. Scale build up is caused by hard water and can be accelerated if the unit is set at a high temperature.

Rinnai offers Southeastern Filtration's "ScaleCutter Water Conditioning System" that offers superior lime scale prevention and corrosion control by feeding a blend of control compounds into the cold water supply.

Part Number	Description
103000038	Southeastern Filtration ScaleCutter System 3/4" Feed
103000039	ScaleCutter Refill

Environment

Air surrounding the water heater, venting, and vent termination(s) is used for combustion and must be free of any compounds that cause corrosion of internal components. These include corrosive compounds that are found in aerosol sprays, detergents, bleaches, cleaning solvents, oil based paints/ varnishes, and refrigerants. The air in beauty shops, dry cleaning stores, photo processing labs, and storage areas for pool supplies often contains these compounds. Therefore it is recommended that outdoor models be used for these locations where possible.

The water heater, venting, and vent termination(s) should not be installed in any areas where the air may contain these corrosive compounds. If it is necessary for a water heater to be located in areas that may contain corrosive compounds, the following instructions are strongly recommended.

IMPORTANT CONSIDERATIONS FOR:

Indoor/Internal Water Heaters

- DO NOT Install in areas where air for combustion might be contaminated with chemicals.
- Before installation, consider where air has the ability to travel within the building to the water heater.
- Where possible, install the water heater in a sealed closet so that it is protected from the potential of contaminated indoor air.
- Chemicals that are corrosive in nature should not be stored or used near the water heater.

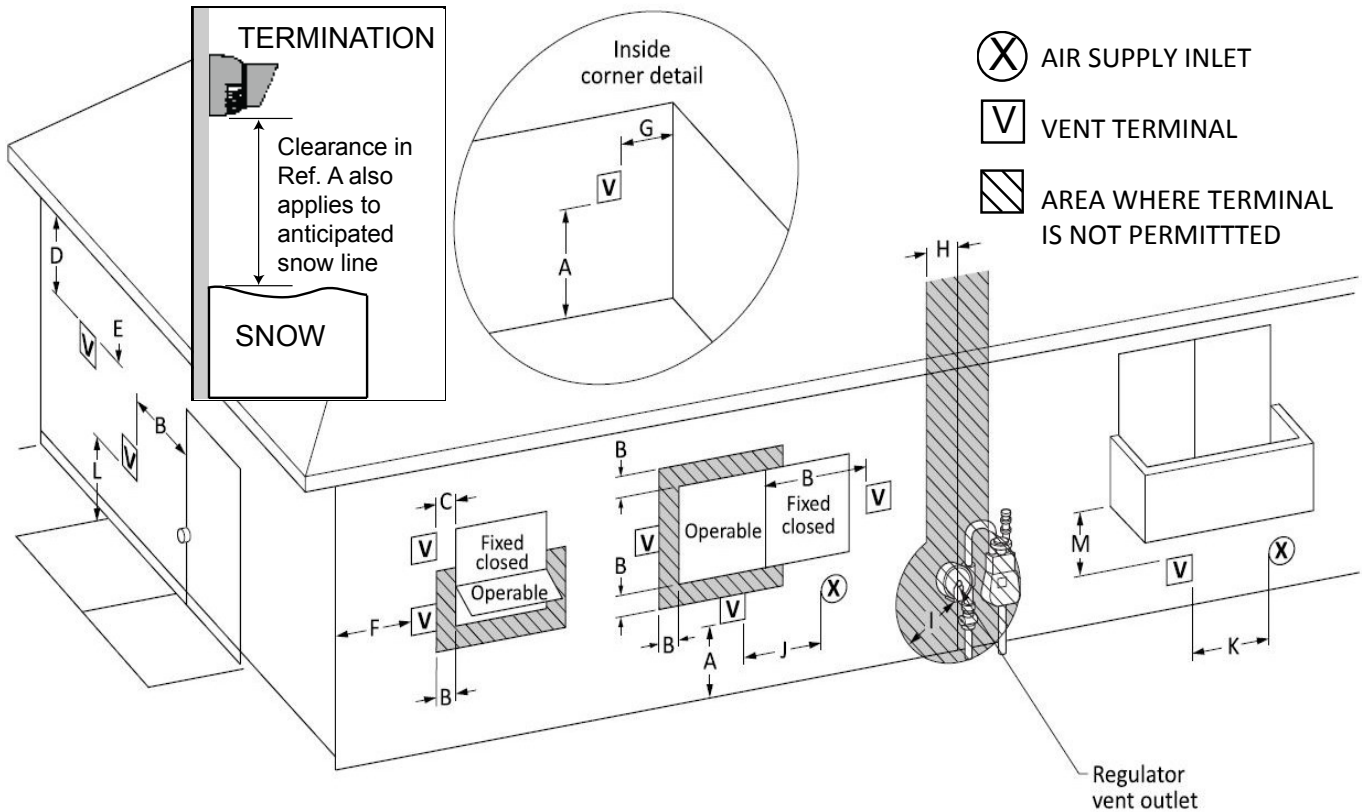
Outdoor/External Water Heaters and Vent Terminations of Indoor/Internal Water Heaters

- Install the water heater as far away as possible from exhaust vent hoods.
- Install as far away as possible from any air inlet vents. Corrosive fumes may be released through these vents when air is not being brought in through them.
- Chemicals that are corrosive in nature should not be stored or used near the water heater or vent termination.

Damage and repair due to corrosive compounds in the air is not covered by warranty.

Direct Vent Terminal Clearances (Indoor Units)

For indoor models, you must install a vent termination to bring in combustion air and expel exhaust to the outside.



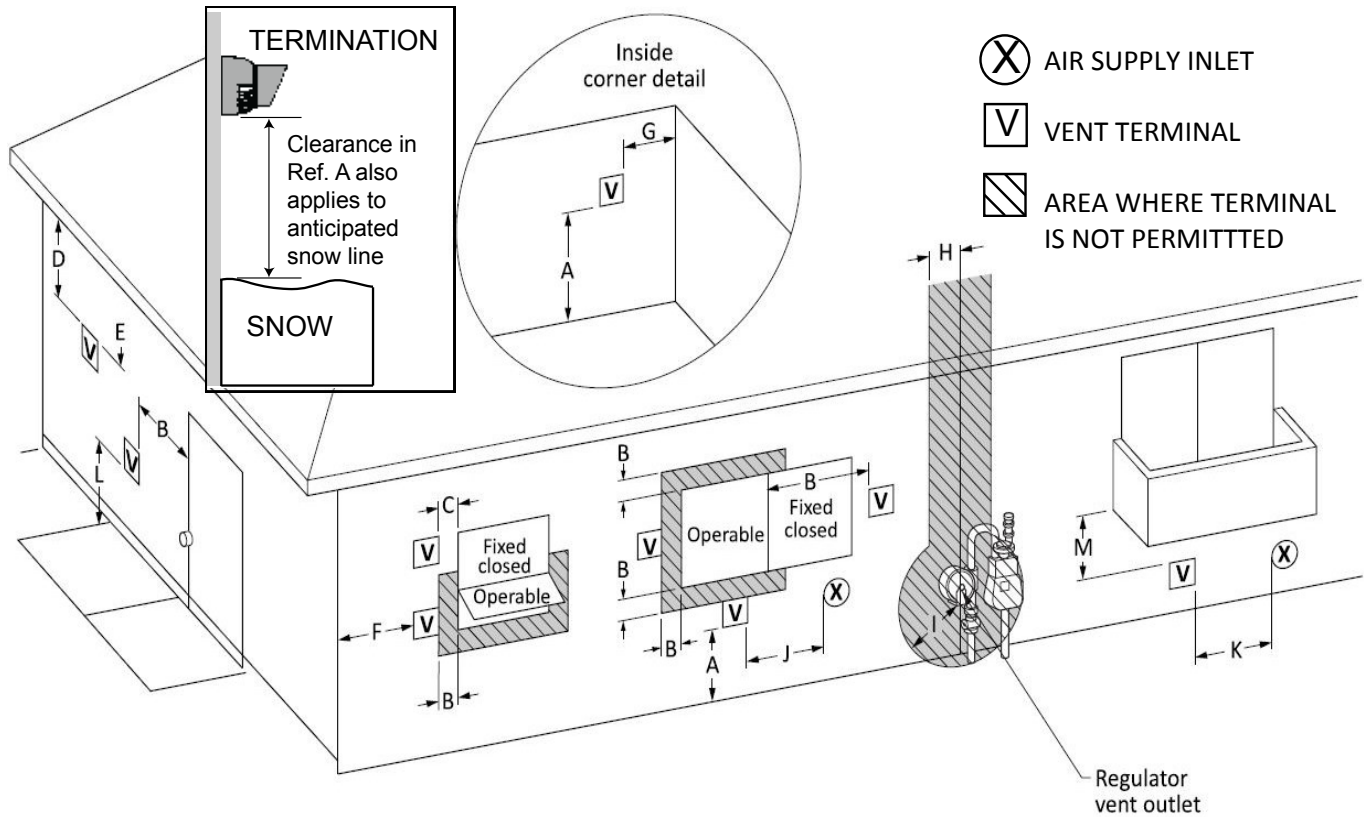
Ref	Description	Canadian Installations	US Installations
A	Clearance above grade, veranda, porch, deck, or balcony	12 inches (30 cm)	12 inches (30 cm)
B	Clearance to window or door that may be opened	36 inches (91 cm)	12 inches (30 cm)
C	Clearance to permanently closed window	*	*
D	Vertical clearance to ventilated soffit, located above the terminal within a horizontal distance of 2 feet (61 cm) from the center line of the terminal	*	*
E	Clearance to unventilated soffit	*	*
F	Clearance to outside corner	*	*
G	Clearance to inside corner	*	*
H	Clearance to each side of center line extended above meter/regulator assembly	*	*
I	Clearance to service regulator vent outlet	Above a regulator within 3 ft (91 cm) horizontally of the vertical center line of the regulator vent outlet to a maximum vertical distance of 15 ft (4.5 m)	*
J	Clearance to nonmechanical air supply inlet to building or the combustion air inlet to any other appliance	36 inches (91 cm)	12 inches (30 cm)
K	Clearance to a mechanical air supply inlet	6 feet (1.83 m)	3 feet (91 cm) above if within 10 feet (3 m) horizontally
L	Clearance above paved sidewalk or paved driveway located on public property	7 feet (2.13 m) ①	*
M	Clearance under veranda, porch, deck, or balcony	12 inches (30 cm) ②	*

[1] A vent shall not terminate directly above a sidewalk or paved driveway that is located between two single family dwellings and serves both dwellings.

[2] Permitted only if veranda, porch, deck, or balcony is fully open on a minimum of two sides beneath the floor.

* For clearances not specified in ANSI Z223.1/NFPA 54, clearances are in accordance with local installation codes and the requirements of the gas supplier.
Clearance to opposite wall is 24 inches (60 cm).

Other Than Direct Vent Terminal Clearances (Outdoor Units)



Ref	Description	Canadian Installations (CSA B149.1)	US Installations (ANSI Z223.1 / NFPA 54)
A	Clearance above grade, veranda, porch, deck, or balcony	12 inches (30 cm)	12 inches (30 cm)
B	Clearance to window or door that may be opened	6 in (15 cm) for appliances ≤ 10,000 Btuh (3 kW), 12 in (30 cm) for appliances > 10,000 Btuh (3 kW) and ≤ 100,000 Btuh (30 kW), 36 in (91 cm) for appliances >100,000 Btuh (30 kW)	4 ft (1.2 m) below or to side of opening; 1 ft (300 mm) above opening
C	Clearance to permanently closed window	*	*
D	Vertical clearance to ventilated soffit, located above the terminal within a horizontal distance of 2 feet (61 cm) from the center line of the terminal	*	*
E	Clearance to unventilated soffit	*	*
F	Clearance to outside corner	*	*
G	Clearance to inside corner	*	*
H	Clearance to each side of center line extended above meter/regulator assembly	*	*
I	Clearance to service regulator vent outlet	Above a regulator within 3 ft (91 cm) horizontally of the vertical center line of the regulator vent outlet to a maximum vertical distance of 15 ft (4.5 m)	*
J	Clearance to non-mechanical air supply inlet to building or the combustion air inlet to any other appliance	6 in (15 cm) for appliances ≤ 10,000 Btuh (3 kW), 12 in (30 cm) for appliances > 10,000 Btuh (3 kW) and ≤ 100,000 Btuh (30 kW), 36 in (91 cm) for appliances >100,000 Btuh (30 kW)	4 ft (1.2 m) below or to side of opening; 1 ft (300 mm) above opening
K	Clearance to a mechanical air supply inlet	6 feet (1.83 m)	3 feet (91 cm) above if within 10 feet (3 m) horizontally
L	Clearance above paved sidewalk or paved driveway located on public property	7 feet (2.13 m) ①	*
M	Clearance under veranda, porch, deck, or balcony	12 inches (30 cm) ②	*

- [1] A vent shall not terminate directly above a sidewalk or paved driveway that is located between two single family dwellings and serves both dwellings.
 [2] Permitted only if veranda, porch, deck, or balcony is fully open on a minimum of two sides beneath the floor.

* For clearances not specified in ANSI Z223.1/NFPA 54, clearances are in accordance with local installation codes and the requirements of the gas supplier. Clearance to opposite wall is 24 inches (60 cm).

Additional clearances

Check to determine whether local codes supersede these clearances.

- Avoid termination locations near a dryer vent.
- Avoid termination locations near commercial cooking exhaust.
- Avoid termination locations near any air inlets.
- You must install a vent termination at least 12 inches above the ground or anticipated snow level.

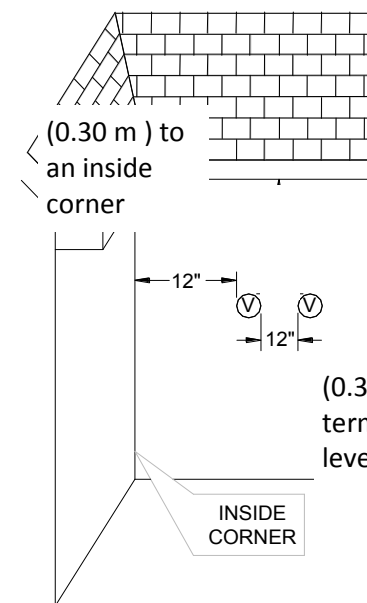
RUCS65i, RUCS75i

The vent for this appliance shall not terminate

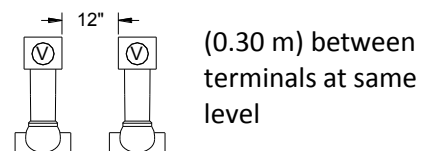
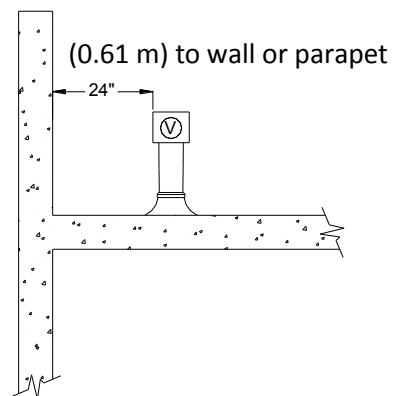
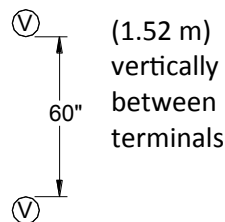
- Over public walkways; or
- Near soffit vents or crawl space vents or other area where condensate or vapor could create a nuisance or hazard or cause property damage; or
- Where condensate or vapor could cause damage or could be detrimental to the operation of regulators, relief valves, or other equipment.

Important considerations for locating vent termination under a soffit (ventilated or unventilated or eave vent; or to a deck or porch)

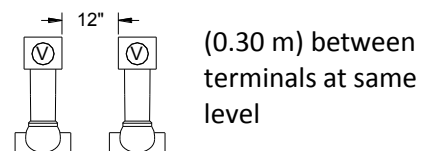
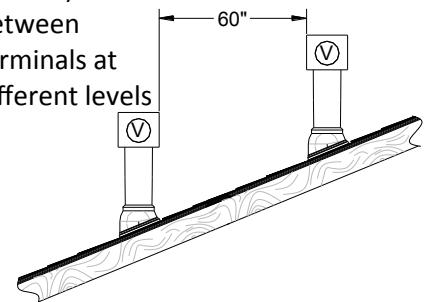
- Do not install vent termination under a soffit vent such that exhaust can enter the soffit vent
- Install vent termination such that exhaust and rising moisture will not collect under eaves. Discoloration to the exterior of the building could occur if installed too close.
- Do not install the vent termination too close under the soffit where it could present recirculation of exhaust gases back into the combustion air intake part of the termination.



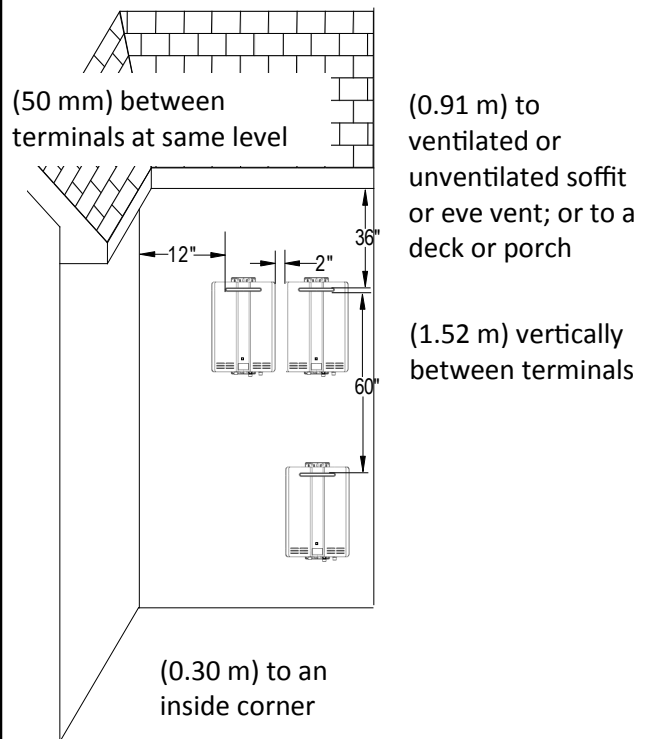
(0.30 m) between terminals at same level



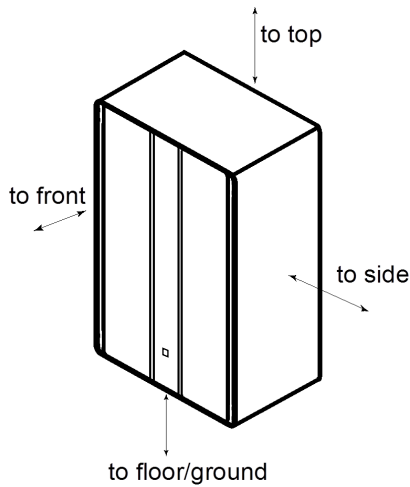
(1.52 m) between terminals at different levels



RUS65e, RUS75e



Unit clearances



Indoor models: RUCS65i, RUCS75i	to Combustibles	to Non-Combustibles
	inches (mm)	inches (mm)
Top of Heater	6 * (152)	2 *(51)
Back of Heater	0 (zero)	0 (zero)
Front of Heater	6 (152)	6 (152)
Sides of Heater	2 (51)	1/2 (13)
Ground/Bottom	12 (305)	12 (305)
Vent	0 (zero)	0 (zero)

* 0 inches from vent components and condensate drain line.

The clearance for servicing is 24 inches in front of the water heater.

For closet installation, clearance is 6 inches (152 mm from the front of the water heater.

Outdoor models: RUS65e, RUS75e	to Combustibles	to Non-Combustibles
	inches (mm)	inches (mm)
Top of Heater	12 (305)	2 (51)
Back of Heater	0 (zero)	0 (zero)
Front (panel)	24 (610)	0 (zero)
Front (exhaust)	24 (610)	24 (610)
Sides of Heater	6 (152)	1/8 (3.2)
Ground/Bottom	12 (305)	2 (51)

The clearance for servicing is 24 inches in front of the water heater.

Freeze Protection

Make sure that in case of freezing weather the water heater and its water lines are protected to prevent freezing. Damage due to freezing is not covered by the warranty.

With electrical power and gas supplied, the water heater will not freeze when the outside air temperature is as cold as -22°F (-30°C) for indoor models or is as cold as -4°F (-20°C) for outdoor models, when protected from direct wind exposure. Because of the “wind-chill” effect, any wind or circulation of the air on the unit will reduce its ability to protect itself from freezing.

In the event of a power failure and/or gas interruption at temperatures below freezing the water heater should be drained of all water to prevent freezing damage. In addition, drain the condensate trap and drain line.

Loss of freeze protection may result in water damage from a burst heat exchanger or water lines.

The unit may be drained manually. However, it is highly recommended to:

- drain down solenoid valves be purchased and installed that will automatically drain the unit if power is lost. These are available in a kit, 104000059. (The condensate trap is not affected by the auto drain down solenoid valves and will have to be manually drained.)
- a surge protector with terminals be purchased and installed which allows the solenoid valves to operate if the unit is disabled due to a diagnostic code. This is available as 104000057.

In addition, the solenoid valves should be connected electrically to a surge protector with terminals. This allows the solenoid valves to operate if the water heater is disabled due to a diagnostic code.

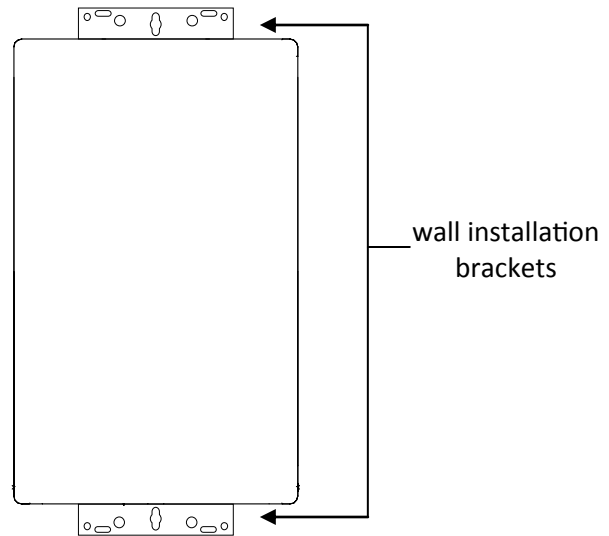
The freeze protection features of the water heater will not prevent the external piping from freezing. It is recommended that hot and cold water pipes be insulated. Pipe cover enclosures may be packed with insulation for added freeze protection.

It is recommended that the condensate trap drain line be insulated. A frozen condensate trap results in a diagnostic code 25.

Checklist to Determine Installation Location

- The water heater is not exposed to corrosive compounds in the air.
- The water heater location complies with all required clearances.
- For indoor models, the planned venting will not exceed the maximum length for the number of elbows used.
- The planned venting termination/air intake location meets all required clearances.
- Indoor air is not being used for combustion.
- The water supply does not contain chemicals or exceed total hardness that will damage the heat exchanger.
- A standard 3 prong 120 VAC, 60 Hz properly grounded wall outlet (for indoor models) or other 120 VAC, 60 Hz source is available.
- The installation must conform with local codes or, in the absence of local codes, with the *National Fuel Gas Code, ANSI Z223.1/NFPA 54*, or the *Natural Gas and Propane Installation Code, CSA B149.1*. If installed in a manufactured home, the installation must conform with the *Manufactured Home Construction and Safety Standard, Title 24 CFR, Part 3280* and/or *CAN/SCA Z240 MH Series, Mobile Homes*.
- Leave the entire manual taped to the water heater (indoor models) or give the entire manual directly to the consumer.**

Mount to Wall



1. Identify the installation location and confirm that the installation will meet all required clearances.
2. Securely attach the water heater to the wall using any of the holes in the wall installation brackets which are at the top and bottom of the water heater. Ensure that the attachment strength is sufficient to support the weight of the water heater. Refer to the weight of the water heater in the Specifications section of this manual. Use a leveling tool to ensure that the water heater is level. Proper operation requires that the water heater be level.

NOTICE

The water heater must be installed in an upright position. Do not install upside down or on its side.

Remove the Front Panel

Slide the plastic trim pieces on each side of the water heater to expose the screws.

Remove the 4 screws and pull off the front panel.

Installation of Venting (indoor models only)

Install the correct venting for your model according to the venting manufacturer's instructions and the guidelines below. Refer to the vent manufacturer's technical literature for specific part numbers and instructions.

Approved Vent Manufacturers and Products

Manufacturer	Listed and Tested Vent Products	Contact	Vertical Termination	Horizontal Termination
Ubbink	Rolux Condensing Vent System	www.rinnai.us 800-621-9419	184162PP	223176PP, 223177PP
Centrotherm	InnoFlue Vent System (single wall SW, 3 inch diameter)	www.centrotherm.us.com 877-434-3432	ICRT3539	ISELL0387UV
Heat-Fab	Saf-T Vent SC System	www.heatfab.com 800-772-0739	Saf-T Vent CI Plus Wall Termination	Saf-T Vent CI Plus Rain Cap
Metal-Fab	Corr/Guard Vent/Air Intake System	www.metal-fabinc.com 800-835-2830	3CGRVDK	3CGRVT, 3CGVRHK3, 3CGVRHK4
Ipex	Concentric Termination Kit	www.ipexamerica.com www.ipexinc.com U.S. - 800-463-9572 CA. - 866-473-9462	3"- 196006 /197009 4"- 196021 /197021	3"- 196006 / 197009 4"-196021 / 197021
	Low Profile Termination Kit		—	3"- 196985 4"- 196986
Royal	GVS-65 Vent Pipe Concentric	www.royalbuildingproducts.com 800-232-5690	52CVKGV6503	52CVKGV6503
	GVS-65 Vent Pipe Low Profile Termination Kit		—	52SWVKGVS6503
Various Manufacturers	Schedule 40 PVC DWV Solid Core Pipe (or approved equal) CPVC schedule 40	—	Reference "Approved PVC/CPVC Vent Configurations" Table	Reference "Approved PVC/CPVC Vent Configurations" Table

Proper venting is required for the safe operation of this appliance.

Venting Guidelines

DO NOT

- Do not use cellular core PVC/CPVC.
- Do not use Radel, ABS, or galvanized material to vent this appliance.
- Do not cover non-metallic vent pipe and fittings with thermal insulation.
- Do not combine vent components from different manufacturers.
- Vent diameter must not be reduced.
- Do not connect the venting system with an existing vent or chimney.
- Do not common vent.

MUST DO

- This water heater is a direct vent water heater and therefore is certified and listed with the vent system. You must use vent components that are certified and listed with the water heater model.
- The vent system must vent directly to the outside of the building and use outside air for combustion.
- Avoid dips or sags in horizontal vent runs by installing supports per the vent manufacturer's instructions.
- Support horizontal vent runs every four feet and all vertical vent runs every six feet or in accordance with local codes.
- Venting should be as direct as possible with a minimum number of pipe fittings.
- Vent connections must be firmly pressed together so that the gaskets form an air tight seal.
- The vent piece connected to the water heater must be secured with one self-tapping screw.

INFORMATION

- Refer to the instructions of the vent system manufacturer for component assembly instructions.
- If the vent system is to be enclosed, it is suggested that the design of the enclosure permit inspection of the vent system. The design of such enclosure shall be deemed acceptable by the installer or the local inspector.

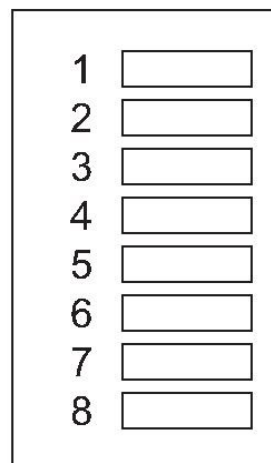
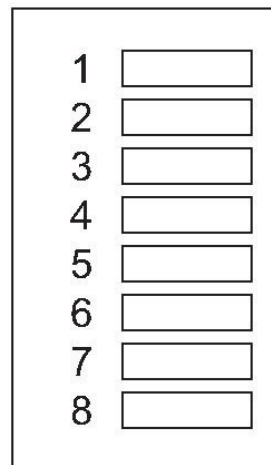
NOTICE

If it becomes necessary to access an enclosed vent system for service or repairs, Rinnai is not responsible for any costs or difficulties in accessing the vent system. The warranty does not cover obtaining access to a vent system in an enclosed environment.

Determining Vent Configuration

Prior to the installation of the vent system, the dip switches on the PCB board must be properly set for the venting configuration selected for the application. (Unit comes defaulted for concentric applications)

Venting Dip Switch Settings	
Venting Style	SW4 in DIPSW 2
Concentric	OFF
Twin Pipe	ON



← **SW4**
OFF-Concentric
ON-Twin Pipe

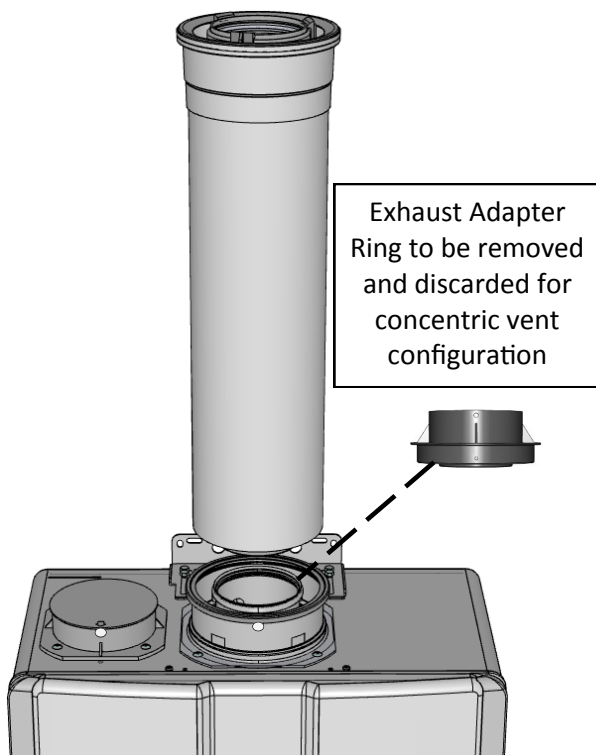
Determining Vent Configuration

NOTICE

- Prior to the installation of the vent system, the unit must be properly adjusted for the venting configuration selected for the application.
- Any issues resulting from improper installation will not be covered by warranty.
- Ducted outside air is mandatory for all twin pipe configurations.

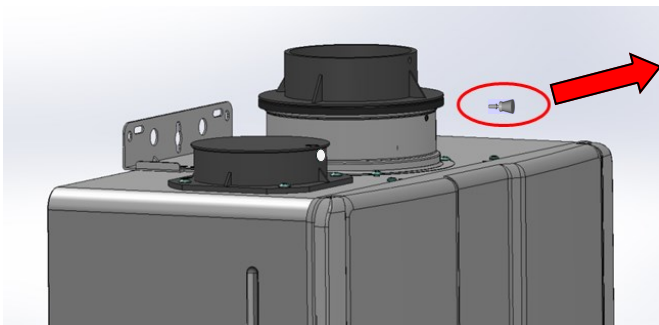
Concentric Vent Configuration

(Same procedure to be used for Twin Pipe with Centrotherm Adapter Configuration)

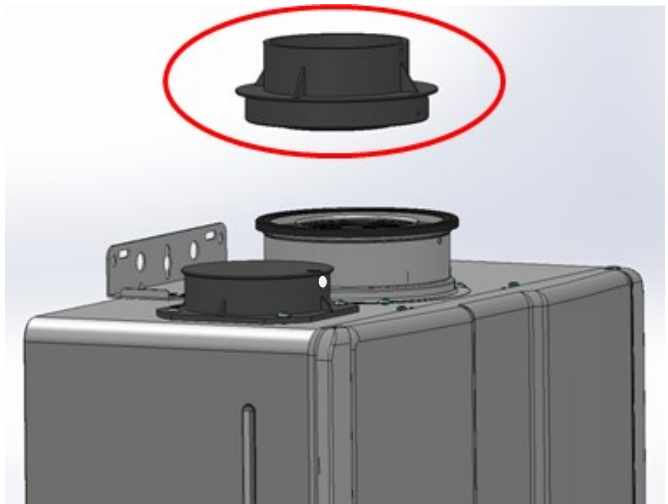


Removal of Exhaust Adapter Ring

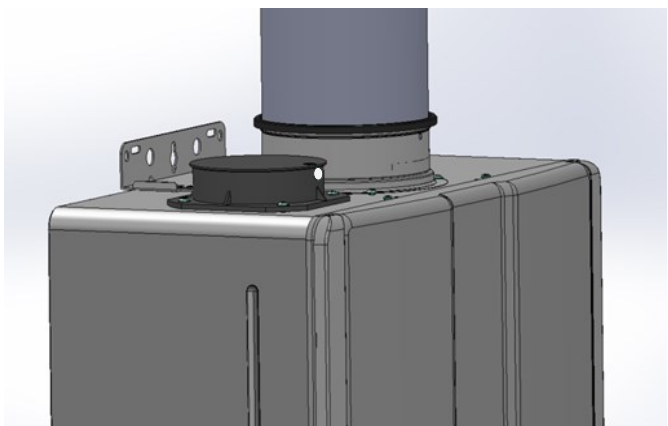
1. Remove fastener from concentric flue connection.



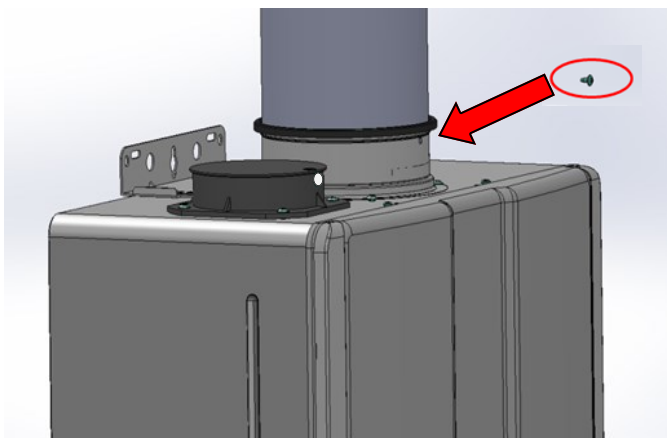
2. Remove exhaust adapter ring.



3. Install the concentric vent. Ensure it is properly seated.

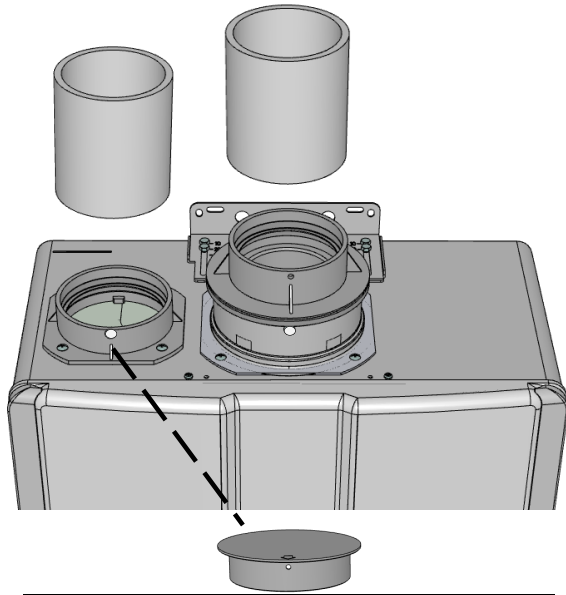


4. Secure the vent pipe to the unit with a screw



Determining Vent Configuration (continued)

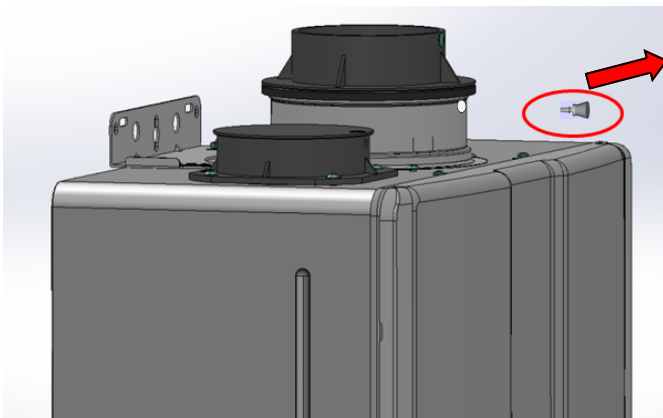
Twin Pipe PVC/CPVC Configuration (3" or 4")



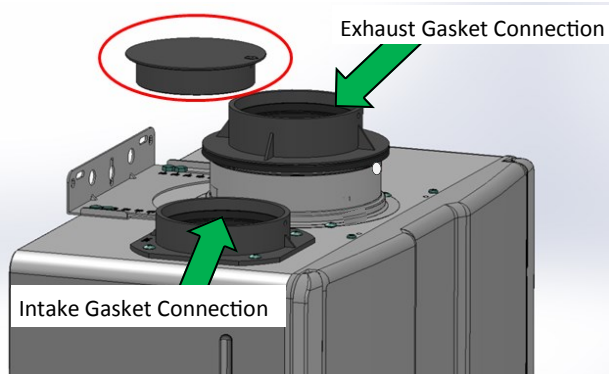
Intake Cap to be removed and discarded for twin pipe PVC/CPVC configuration.

Removal of Intake Cap

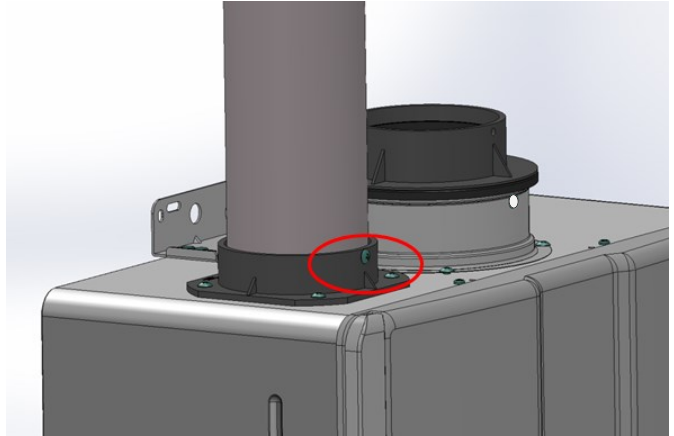
1. Remove the fastener from intake connection.



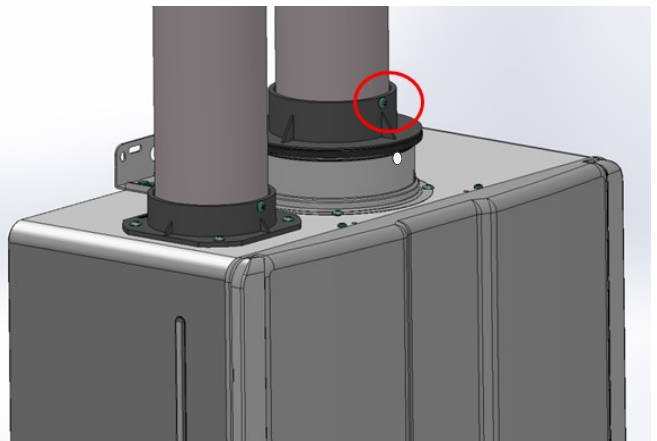
2. Remove the intake cap.



3. Install the intake pipe. Ensure it is properly seated.
4. Secure the intake pipe to the unit with the supplied screw (in the carton box).



5. Install the exhaust pipe. Ensure it is properly seated.
6. Secure the exhaust pipe to the unit with the supplied screw (in the carton box).



WARNING

DO NOT apply PVC glues, solvents, or cleaners to the water heaters intake or exhaust gasket connections. Failure to correctly assemble the components according to these instructions may result in property damage, personal injury, or death.

Maximum vent length

Maximum Vent Length with Concentric Venting

1. Determine the number of 90 degree elbows in the vent system. (Two 45 degree elbows count as one 90 degree elbow.)
2. Refer to the table to find the maximum vent length based on the number of elbows.
3. Adjust SW1 in DIPSW 1 (tan switches) if required by the applicable note.

Concentric (90° elbow is equivalent to 6 feet; 45° elbow is equivalent to 3 feet.)	
Maximum Equivalent Vent Length 41 ft (12.5 m)	
# of 90° Elbows	Maximum Vent Length in feet (meters)
0	41 (12.5) ¹
1	35 (10.7) ²
2	29 (8.8) ³
3	23 (7.0) ⁴
4	17 (5.2) ⁴
5	11 (3.4) ⁴
6	5 (1.5) ⁴

- ① If the length is greater than 21 ft (6.4 m) then move SW1 to OFF.
- ② If the length is greater than 15 ft (4.6 m) then move SW1 to OFF.
- ③ If the length is greater than 9 ft (2.7 m) then move SW1 to OFF.
- ④ Move SW1 to OFF.

Example: If you have one elbow then your maximum vent length is 35 feet (10.7 m). If your actual length is greater than 15 ft (4.6 m) then move SW1 in DIPSW 1 to OFF.

NOTICE

If you have a longer vent length (see number 3 regarding max. vent length), SW1 in DIPSW 1 is required to be in the OFF position. This ensures the water heater will run properly. Blocked flue diagnostic codes and shutdowns may result if SW1 in DIPSW 1 is not in the correct position.

Maximum Vent Length for Centrotherm 2 Pipe

InnoFlue Vent System (single wall SW, 3 inch diameter)

Vent length using short radius elbow

(Intake is the short UV protected 90° elbow)

Number of 90° Short Radius Elbows	Maximum Straight Vent Length	SW1 in DIPSW 1 If length is greater than:
0	41 ft (12.50 m)	18 ft (5.49 m) move SW1 to OFF
1	26 ft (7.93 m)	3 ft (0.91 m) move SW1 to OFF
2	11 ft (3.35 m)	move SW1 to OFF for any length

Vent length using long radius elbow

(Intake is the long UV protected 90° elbow)

Number of 90° Long Radius Elbows	Maximum Straight Vent Length	SW1 in DIPSW 1 If length is greater than:
0	41 ft (12.50 m)	21 ft (6.40 m) move SW1 to OFF
1	35 ft (10.67 m)	15 ft (4.57 m) move SW1 to OFF
2	29 ft (8.84 m)	9 ft (2.74 m) move SW1 to OFF
3	23 ft (7.01m)	3 ft (0.91 m) move SW1 to OFF
4	17 ft (5.18 m)	move SW1 to OFF for any length
5	11 ft (3.35 m)	
6	5 ft (1.52 m)	

Maximum vent length

Maximum Vent Length with Twin Pipe PVC / CPVC

Twin Pipe 3" PVC / CPVC (90° elbow is equivalent to 5 feet; 45° elbow is equivalent to 2.5 feet.)	
Maximum Equivalent Vent Length 41 ft (12.5 m)	
# of 90° Elbows	Maximum Vent Length in feet (meters)
0	41 (12.5)**
1	36 (11.0) **
2	31 (9.4) **
3	26 (7.9) **
4	21 (6.4) **
5	16 (4.9) **
6	11 (3.4) **

Twin Pipe 4" PVC / CPVC (90° elbow is equivalent to 5 feet; 45° elbow is equivalent to 2.5 feet.)	
Maximum Equivalent Vent Length 100 ft (30.5 m)	
# of 90° Elbows	Maximum Vent Length in feet (meters)
0	100 (30.5)**
1	95 (29.0) **
2	90 (27.4) **
3	85 (25.9) **
4	80 (24.4) **
5	75 (22.9) **
6	70 (21.3) **

**SW 1 in DIPSW 1 is "OFF" for lengths greater than or equal to 21 feet.

(See Twin Pipe PVC/CPVC Vent Installation section for more information regarding equivalent vent length calculations.)

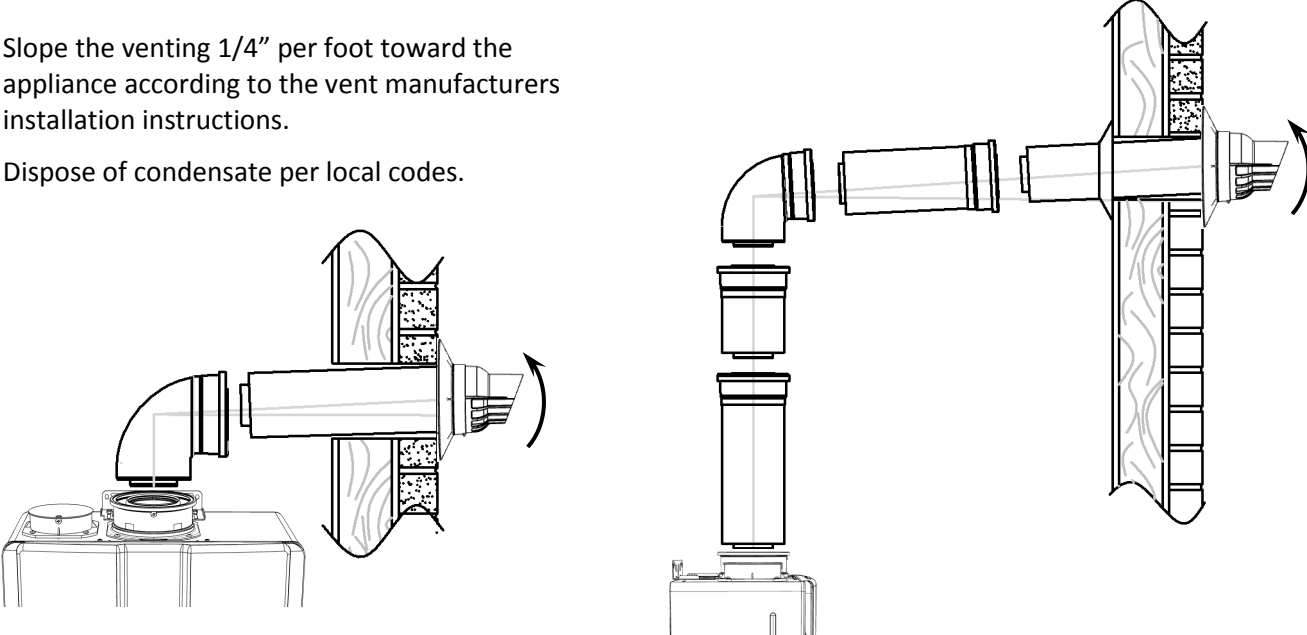
Flue Installation with Concentric Venting (indoor models only)

Install the venting termination according to the diagrams and instructions below.

Horizontal Termination

Slope the venting 1/4" per foot toward the appliance according to the vent manufacturers installation instructions.

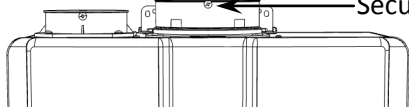
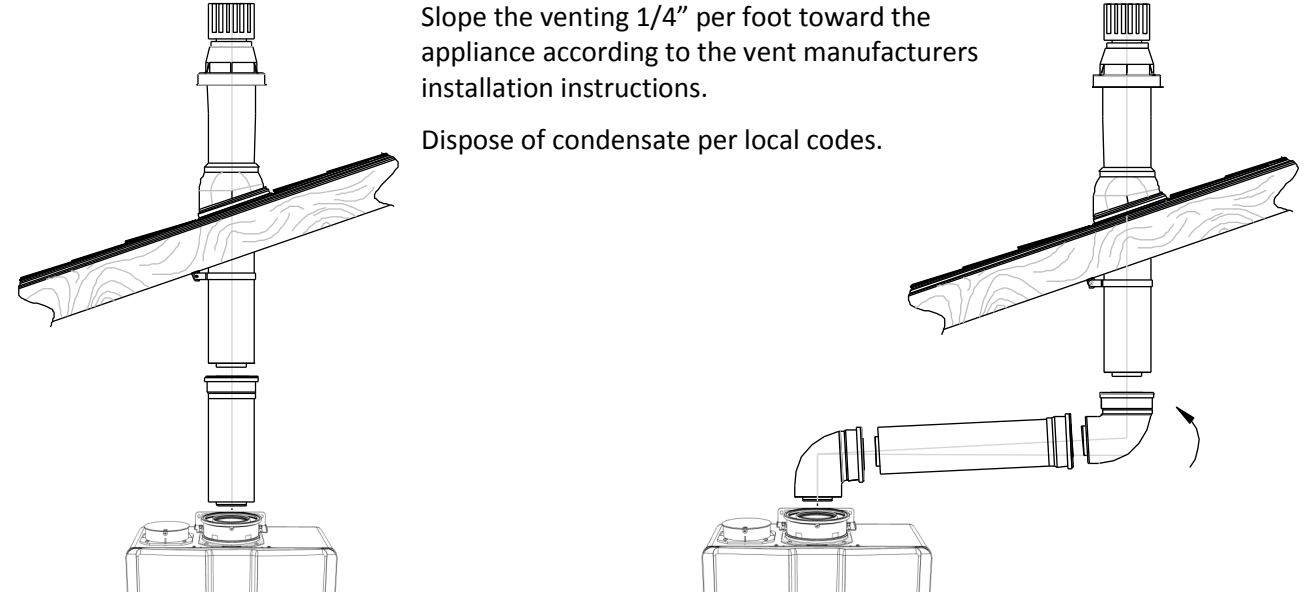
Dispose of condensate per local codes.



Vertical Termination

Slope the venting 1/4" per foot toward the appliance according to the vent manufacturers installation instructions.

Dispose of condensate per local codes.



Securing Screw

Secure the first vent component to the water heater with one self-tapping screw at the hole.

Flue Installation with Centrotherm Venting (indoor models only)

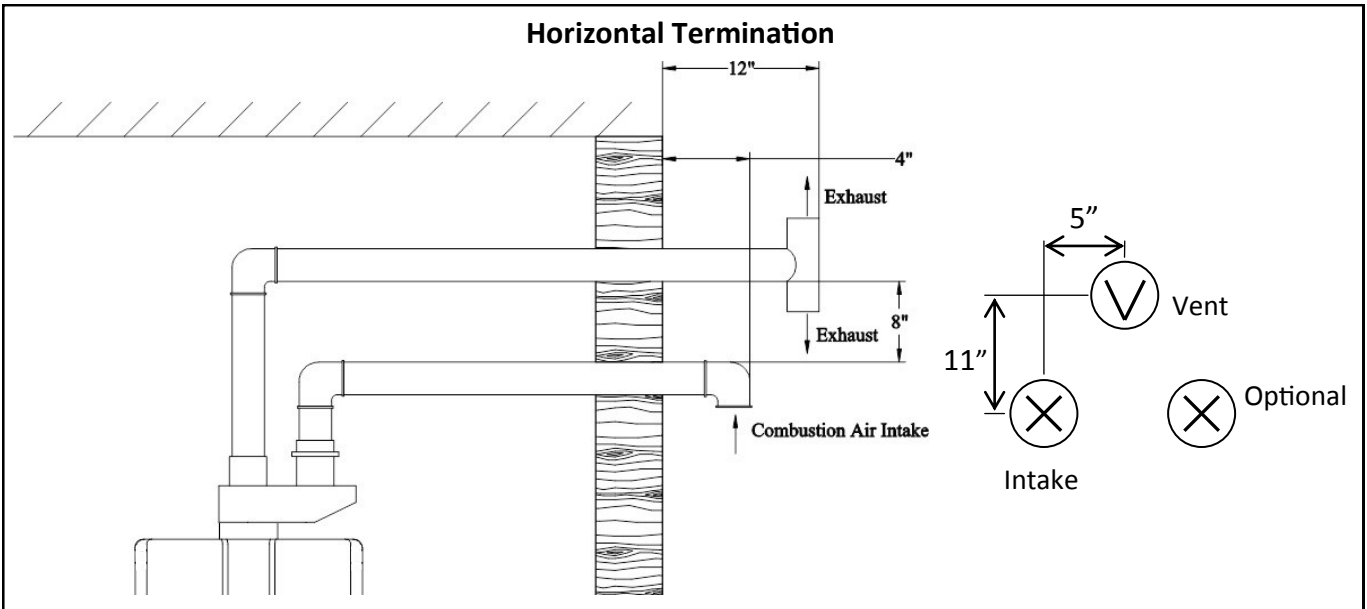
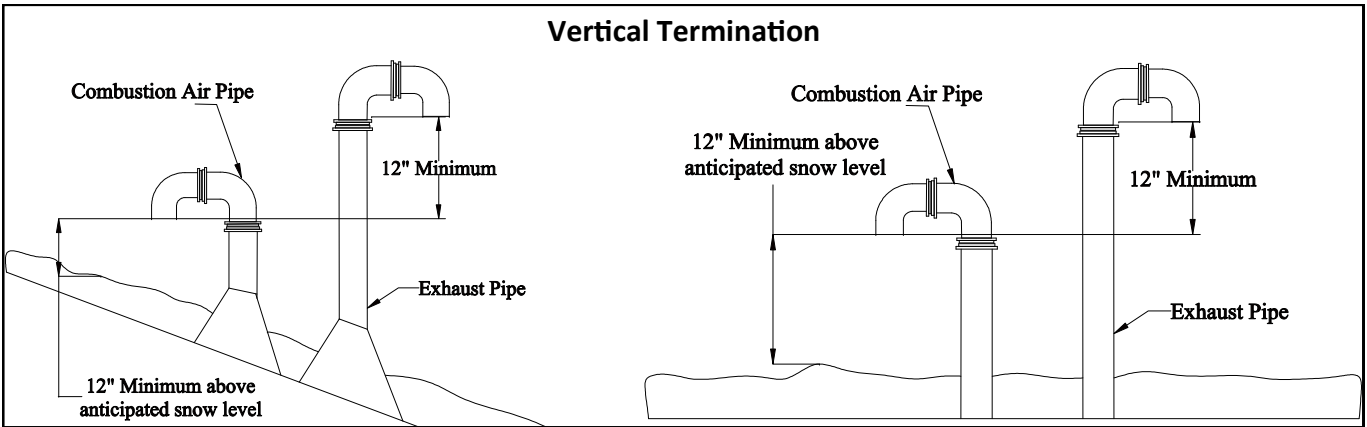
Install the venting termination according to the diagrams and instructions below.

- Comply with the exhaust clearances found in this Rinnai Installation and Operation Manual.
- Only one appliance can be attached to the vent system.
- Install the system according to the Centrotherm installation instructions included with the vent system.
- The vent termination and air intake must be in the same pressure zone.
- Do not exceed the maximum straight vent length with number of elbows as shown in the tables in the following section.
- Maintain the clearances shown in the figures below.

WARNING The following vent materials are **NOT APPROVED** for use with this appliance:

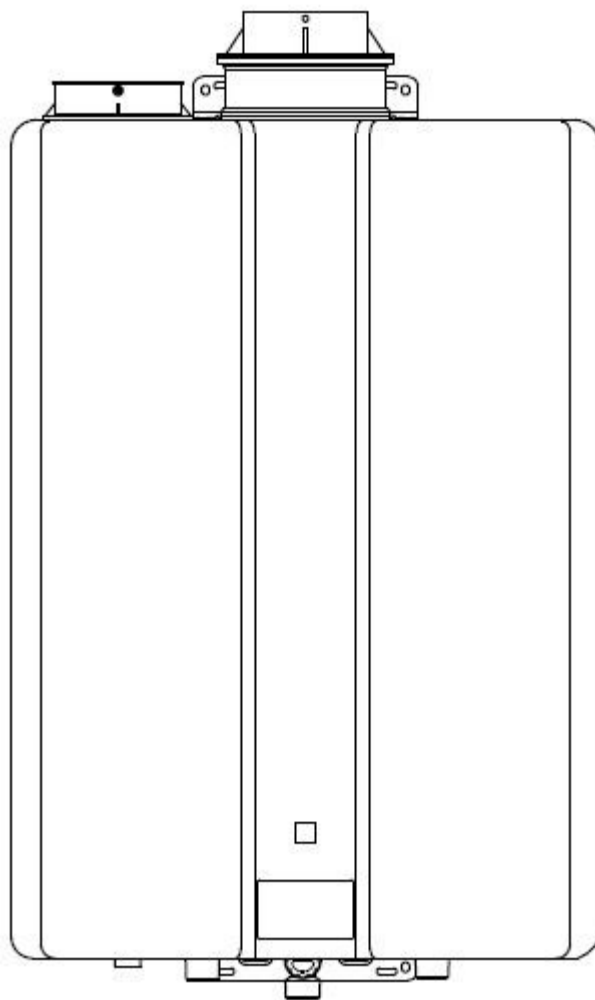
- Cellular core PVC/CPVC
- Radel, ABS, and/or Galvanized ducts.

Failure to use approved vent materials can result in property damage, personal injury, or death.



Slope horizontal exhaust run towards the water heater 1/4" per foot. **DO NOT** slope combustion air pipe towards unit. Be sure to dispose of condensate per local codes.

Twin Pipe PVC/CPVC Vent Installation



WARNING

Installations must comply with local requirements and with the National Fuel Gas Code, ANSI Z223.1/NFPA 54 for U.S. installations or CSA B149.1 for Canadian installations. **DO NOT** use cellular core PVC, CPVC, or Radel based pipe materials for the exhaust vent. Vents **MUST** be of solid core pipes **ONLY**.

WARNING

Use only the materials listed in this section for vent, air intake pipe, and fittings (See vent and air piping materials table). Failure to comply with this warning could result in property damage, personal injury, or death.

 **DANGER**

Tankless Water Heaters with PVC/CPVC venting must be configured with intake air and exhaust vent using piping and methods described in this section. Each water heater must have its own intake and vent. **DO NOT** common vent with any other appliance using this method. Inspect finished vent and intake air piping thoroughly to ensure all are airtight and comply with the instructions provided and with all requirements of applicable codes. Failure to provide a properly installed vent and air system will cause personal injury or death.

 **WARNING**

Combustion Air Intake - The combustion air intake termination fitting must be installed with the clearances and geometry relative to the exhaust (vent) depicted in this section to ensure that flue products do not enter the combustion air intake. Ensure that the intake air will not contain any of the contaminants outlined in the “**Determine Installation Location**” section of this manual. Contaminated intake air will damage the water heater, resulting in possible property damage, personal injury, or death.

Exhaust - The exhaust (vent) termination fitting must be installed with the clearances and geometry relative to the combustion air pipe as depicted in this section to ensure that flue products do not enter the combustion air intake

 **WARNING**

The installation must conform with local codes or, in the absence of local codes, with the *National Fuel Gas Code, ANSI Z223.1/NFPA 54*, or the *Natural Gas and Propane Installation Code, CSA B149.1*. **DO NOT** use cellular core PVC, CPVC, Radel, ABS, or galvanized material for the exhaust vent. Vents **MUST** be of solid core pipes **ONLY**.

 **WARNING**

Use only the materials listed in this manual for vent, combustion air intake pipe, and fittings (See “Vent and Air Piping” table) . Failure to comply with this warning could result in property damage, personal injury, or death.

 **WARNING**

If used, a masonry chimney can **ONLY** be used as a **CHIMINEY CHASE** for the exhaust and combustion air intake pipes. The exhaust and air piping must be installed as instructed in this manual. The chimney chase must be used only for the Rinnai Water Heater(s) vent chase. **NO OTHER** appliance or fireplace can be connected to the chimney chase. Exhaust and air piping materials must comply with this instruction. The chimney chase must be fitted with a sealed access opening to facilitate interior inspection. The chimney chase (and liner, if installed) to be inspected annually for any degradation. Failure to comply could result in property damage, personal injury, or death.

 **NOTICE**

If the vent and/or combustion air intake piping configurations covered in this manual cannot be applied to a specific installation, contact Rinnai’s Application Engineer group for assistance. Other configurations may be available.

Twin Pipe PVC/CPVC Vent Installation Requirements:

- All PVC/CPVC IPEX Concentric Vent Kit (CVK) Assemblies are certified to ULC S636. Where ULC S636 compliance is required, use only System 636 pipe, fittings, and cement at terminal connection.
- **DO NOT** use PVC/CPVC on Non-Condensing Units.
- **DO NOT** operate unit until venting is completely installed and all solvents and glues have bonded.
- All PVC/CPVC exhaust vent material used in Canada must be S636 certified.

For further details on listed PVC/CPVC venting material (table below) refer to the installation manual of the PVC/CPVC manufacturer.

IMPORTANT CONSIDERATIONS FOR LOCATION:

- Locate the vent outlet where flue gases will not harm surrounding plants and/or cooling equipment.
- Avoid locating vent where prevailing winds could affect the performance of the water heater or cause recirculation of the flue gases.
- **DO NOT** terminate the venting over a public walkway or over an area where condensate or vapor can create a nuisance / hazard or where condensate can be detrimental to the operation of equipment such as regulators or relief valves

- Water Heater flue gases must be piped from the appliance to the outside, Installer **MUST** adhere to the instructions provided herein and the most recent Water Heater Manual and all applicable codes.
- Exhaust and combustion air must terminate through the same sidewall or roof as the terminations must be in the same pressure zone and face same direction.
- Vent pipe must terminate either through the sidewall or through the roof, exhaust/vent termination and/or intake air openings shall adhere to clearances as set forth in the Direct Vent Termination Clearances diagram.
- Each Condensing Tankless Water Heater requires a separate vent system.
- For twin pipe installation use only 3" or 4" PVC/CPVC.
- Terminations must be installed 12" above grade or anticipated snow level.

Vent and Air Piping Materials			
Item	Material	Standard for Installation in North America	
		United States	Canada
Thermoplastic Piping Materials			
Vent or combustion air intake pipe & Fittings	PVC schedule 40	ANSI/ASTM D1785	Thermoplastic vent pipe must be certified to ULC S636. Intake pipe may be of any material listed (left).
	PVC-DWV	ANSI/ASTM D2665	
	CPVC schedule 40	ANSI/ASTM F441	
PVC pipe cement & primer	PVC	ANSI/ASTM D2564	
	CPVC	ANSI/ASTM F493	
IPEX bird screens (purchase separately)			
Termination Vent Screens	Polyethylene	3" Vent screen: IPEX part # 196051; 4" Vent screen: IPEX part #: 196052 (Screens are friction fitted inside termination fitting bells.)	

NOTE

The listed vent, vent fittings, termination, cleaner, and glue are all certified as part of the condensing tankless water heater vent system.



Failure to correctly install vent and combustion air intake pipes of the water heater to atmosphere as outlined in this venting section will result in death from asphyxiation (from carbon monoxide), fire, or explosion. **NEVER** operate the water heater without proper venting (vent and combustion air intake). Always inspect the vent terminal unit, combustion air intake pipe, and the entire vent system affixed to the water heater for proper installation at equipment commissioning and at least annually thereafter.

IMPORTANT CONSIDERATIONS FOR LOCATION (continued):

Exhaust and Combustion Air Intake Pipe Diameters and Maximum Lengths:

- For PVC/CPVC vent systems reduce the maximum allowable length for each elbow and termination type as follows:
 - ◇ 2.5 feet for every 45° elbow.
 - ◇ 5 feet for every 90° elbow.
 - ◇ Termination (refer to the Approved Vent Component table of this section)
- Vent and combustion air intake pipe diameters must not exceed the maximum equivalent vent lengths referenced within this manual.
- Do not exceed vent and combustion air intake pipe MAXIMUM lengths (Lengths are specific to models and fuel type).

Determining Total System Equivalent Length

There are two options for determining the vent lengths/ components necessary for the installation.

Option 1: The installer can use the vent length calculation sheet (below), filling in the quantity of the vent components in order to calculate the total equivalent vent lengths.

Option 2: The installer can use the maximum vent lengths tables on the next pages to determine the amount of straight pipe that can be used with a specific termination type and quantity of elbows.

OPTION 1:

Calculation of equivalent piping lengths for venting system:

Choose the vent type and fill out the calculation sheet

below. When determining equivalent combustion air and vent length, add 5 feet for each 90° elbow, 2.5 feet for each 45° elbow.

Example of calculation (assume 3” diameter pipes for natural gas unit):

- Twin pipe (parallel) with snorkel terminal
- Combustion air pipe length: 16 ft straight pipe with 2 x 90° elbows
- Exhaust pipe length: 16 ft straight pipe with 2 x 90° elbows (**include all interior and exterior elbows**)
- Snorkel Termination: 15 equivalent feet (reference Approved PVC/CPVC Termination Components table)

Calculation:

- Equivalent Combustion air pipe length: $[16+(2 \times 5)+ 15] = 41$ ft
- Equivalent Vent Length: $[16+(2 \times 5)+15] = 41$ ft
- Total = 41 ft. for both exhaust and combustion air pipes, which is the maximum allowable vent length for 3” PVC/CPVC on a natural gas unit. If longer lengths are required, go to the 4” diameter pipe configuration which is certified for up to 100

ATTENTION	
Maximum equivalent vent lengths are specific to the fuel type of the water heater. It is imperative when performing vent calculations the following be taken into consideration:	
Vent Type	Maximum Equivalent Vent Length
3” PVC/CPVC	41 Feet
Concentric PP	41 Feet
4” PVC/CPVC	100 Feet
Twin Pipe PP (Centrotherm)	41 Feet

Equivalent Vent Length Calculation Sheet						
	Fitting / Termination Type	Number of fittings		Equivalent Vent Length		Total Equivalent Length
1)	90 elbow	3	x	5	=	15
2)	45 elbow		x	2.5	=	0
3)	IPEX Low Profile Termination		x	5	=	0
4)	IPEX 4" Concentric Termination		x	20	=	0
5)	IPEX 3" Concentric Termination		x	20	=	0
6)	Royal 3" Concentric Termination			20		0
7)	Royal Low Profile Termination			5		0
8)	3" Tee Termination		x	5	=	0
9)	4" Tee Termination		x	5	=	0
10)	3" Snorkel Termination	1	x	15	=	15
11)	4" Snorkel Termination		x	15	=	0
12)	Length of Straight Section in feet	NA		40	=	40
Total (add up lines 1 through						70

(A blank copy of the Equivalent Vent Length Calculation Sheet is located at the end of this section)

Ensure SW1 in DIPSW 1 is in OFF position if vent length is greater than 21ft (6.4m).

OPTION 2:



Maximum Equivalent Vent Length Tables:

Determine the number of 90 degree elbows in the vent system. (two 45 degree elbows count as one 90 degree elbow.) Refer to the tables below to find the maximum vent length based on the number of elbows and termination style.

Total Equivalent Vent Length (Intake/outlet) for Twin Pipe 3" PVC/CPVC				
Maximum Vent Length	41 Feet			
Termination Type	IPEX or Royal Concentric Vent Kit	Snorkel Termination	Side Wall Tee Termination	IPEX or Royal Low Profile Termination
Termination Equivalent Length in feet (meters) (Already factored into the straight pipe lengths below)	20 (6.1)	15 (3.0)	5 (1.5)	5 (1.5)
# of 90° Elbows (each: 5 equivalent feet)	Max. straight pipe vent length in feet (meters)			
0	21 (6.4) **	26 (7.9) **	36 (11.0) **	36 (11.0) **
1	16 (4.9) **	21 (6.4) **	31 (9.4) **	31 (9.4) **
2	11 (3.4) **	16 (4.9) **	26 (7.9) **	26 (7.9) **
3	6 (1.8) **	11 (3.4) **	21 (6.4) **	21 (6.4) **
4	-	6 (1.8) **	16 (4.9) **	16 (4.9) **
5	-	1 (0.4) **	11 (3.4) **	11 (3.4) **
6	-	-	6 (1.8) **	6 (1.8) **

Total Equivalent Vent Length (Intake/outlet) for Twin Pipe 4" PVC/CPVC				
Maximum Vent Length	100 Feet			
Termination Type	IPEX Concentric Vent Kit	Snorkel Termination	Side Wall Tee Termination	Low Profile Termination
Termination Equivalent Length in feet (meters) (Already factored into the straight pipe lengths below)	20 (6.1)	15 (3.0)	5 (1.5)	5 (1.5)
# of 90° Elbows (each: 5 equivalent feet)	Max. straight pipe vent length in feet (meters)			
0	80 (24.4) **	85 (25.9) **	95 (29.0) **	95 (29.0) **
1	75 (22.9) **	80 (24.4) **	90 (27.4) **	90 (27.4) **
2	70 (21.3) **	75 (22.9) **	85 (25.9) **	85 (25.9) **
3	65 (19.8) **	70 (21.3) **	80 (24.4) **	80 (24.4) **
4	60 (18.3) **	65 (19.8) **	75 (22.9) **	75 (22.9) **
5	55 (16.8) **	60 (18.3) **	70 (21.3) **	70 (21.3) **
6	50 (15.2) **	55 (16.8) **	65 (19.8) **	65 (19.8) **

**SW 1 in DIPSW 1 is "OFF" for lengths greater than or equal to 21 feet


ATTENTION


Maximum vent lengths are specific to the fuel type of the tankless water heater. It is imperative when performing equivalent vent length calculations that the gas type be taken into consideration.

Installation of PVC/CPVC Vent and Intake Air Piping:

Adapter Installation Configurations:

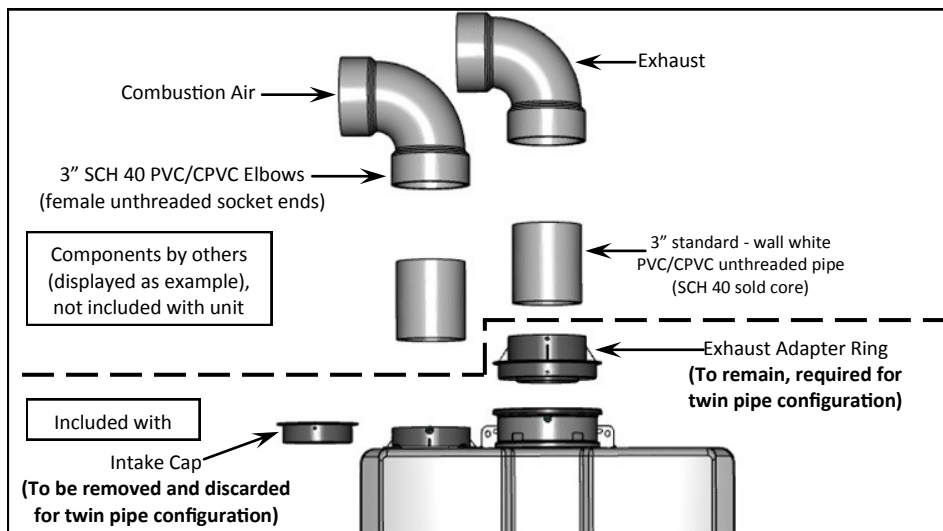
Note the correct position of the combustion air inlet and gas flue outlet, as these are **NOT** interchangeable. For the correct position and design of the twin pipe gas flue outlet and combustion air inlet refer to the installation instructions in this manual.

WARNING

DO NOT apply PVC glues, solvents, or cleaners to the water heaters intake or exhaust gasket connections.

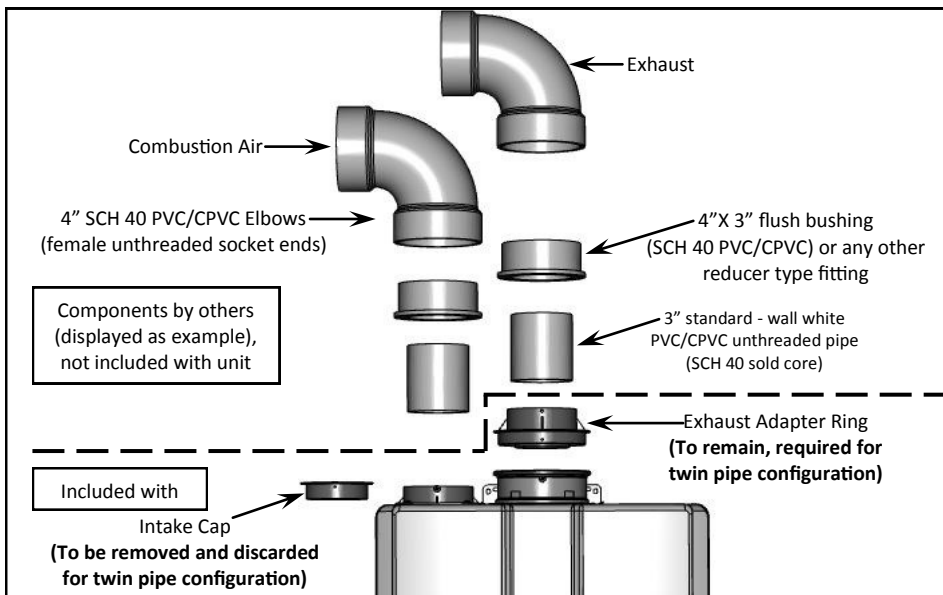
Required Parts For 3" PVC/CPVC Assembly Configuration

The RUCS series units do not require additional parts to be used with standard 3" 3rd party solid core PVC/CPVC pipes; refer to figure below for required parts for 3" PVC/CPVC assembly configuration.



Required Parts For 4" PVC/CPVC Assembly Configuration

Conversely, the RUCS series units require 2 additional (4"x 3" Flush – Schedule 40 PVC) bushing to be used with 4" PVC/CPVC assembly configuration (refer to figure below).



WARNING

Failure to correctly assemble the components according to these instructions may result in property damage, personal injury, or death.

Certified PVC/CPVC Vent Termination Options

Vent Termination Configurations

There are 4 configurations for vent terminations that are approved for use with the RUCS series water heaters:

1. Concentric Termination (IPEX Concentric Vent Kit)
-Allows for only one penetration through a wall or roof.
2. Snorkel Termination
-Allows for easier clearance above grade when having to terminate through a lower point
3. Side Wall Tee Termination
4. IPEX Low Profile Termination
-Used for flush mount side wall application only.

Termination Installation

- Exhaust and combustion air piping must be securely fastened to structure every 4 feet, to ensure dimensions shown in the Figures throughout this document are maintained.
- **DO NOT** strap vertical vent too tightly as the strapping must permit the vent to move in the event of expansion and contraction.
- Straps are field supplied. Use straps, clamps or equivalent that will not score or damage the pipe. Expansion and contraction should be addressed between appliance and termination point.
- All penetrations must be sealed according to local building codes. Caulking for side wall terminations and flashing for roof penetrations are typical. Use only PVC/CPVC compatible sealing material. Contact PVC/CPVC manufacturer for a list of compatible materials.

IPEX Concentric Vent Kit (CVK) Installation

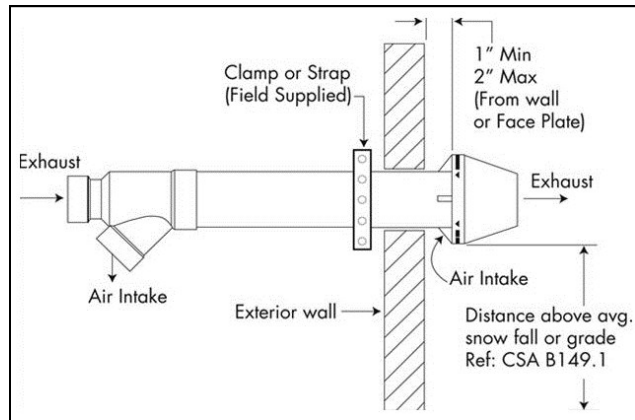
- For installations with multiple terminations, maintain appropriate clearances between terminals. (Reference IPEX Concentric Vent Kit Clearance diagram)
- The pipe length of the concentric vent kit can be shortened; providing that the cutting and cementing procedures adhere to the System 636 guidelines; reference IPEX installation instructions for further information.
- Pipe lengths and/or fittings **CANNOT** be added to the socket of the rain cap in order to divert exhaust gas.

! WARNING

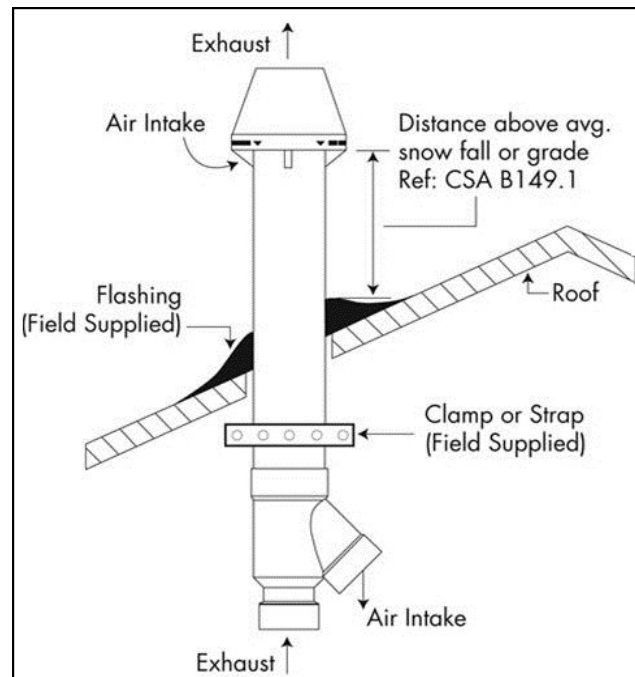
Moisture in the flue gas will condense as it leaves the vent terminal. In cold weather this condensate can freeze on the exterior wall, under the eaves, and on surrounding objects. Some discoloration to the exterior of the building is to be expected. However, improper location or installation can result in damage to the structure or exterior finish of the building.

! WARNING

Danger of fire or bodily injury – Solvent cements and primers are highly flammable. Provide adequate ventilation and do not assemble near a heat source or open flame. Do not smoke. Avoid contact with the skin or eyes. Observe all cautions and warnings on material containers.



Wall Termination



Roof Termination

Certified PVC/CPVC Vent Termination Options (continued)

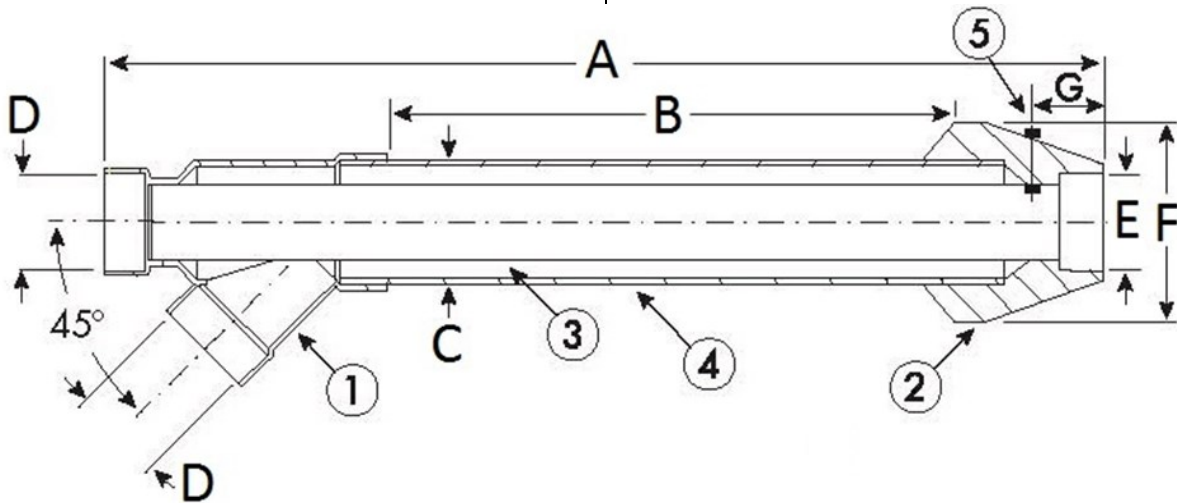
IPEX Concentric Vent Kit Assembly (System 636):

1. Once the proper location has been determined, cut a hole in the roof or wall large enough to accommodate the outer pipe. The size of the hole can vary greatly depending on the roof pitch.
2. As per the procedures outlined, solvent cement the inner pipe to the concentric Wye fitting.
3. Solvent cement the outer pipe to the concentric Wye fitting.
4. Slide the assembly through the roof or wall penetration. (Install flashing as required)
5. To permanently affix the rain cap, it should be solvent cemented to the inner pipe. For installations where removal of the cap may be required for service or cleaning the cap, it can be fastened mechanically (see instructions). For either installation method, the outer pipe is only a friction fit with the cap.

MECHANICALLY FASTENED RAIN CAP:

The Rain Cap must be installed with the supplied Stainless Steel screw and lock nut, and in accordance with the instructions and diagram below.

1. Locate the drill location dimple on the outside of the rain cap.
2. At this location, drill through the cap and the inner pipe wall. Ensure that the path of the hole is perpendicular to the inner pipe **NOT** the outside of the cap. For the 3" kit, drill a 3/16" hole, for the 4" kit, drill a 1/4" hole. Clean any resulting debris.
3. Insert the screw and tighten, **DO NOT OVER TIGHTEN.**

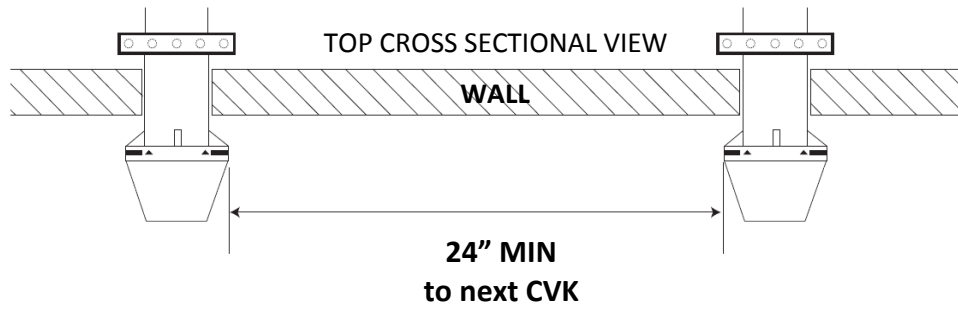


Twin Pipe to Concentric Termination Physical Data

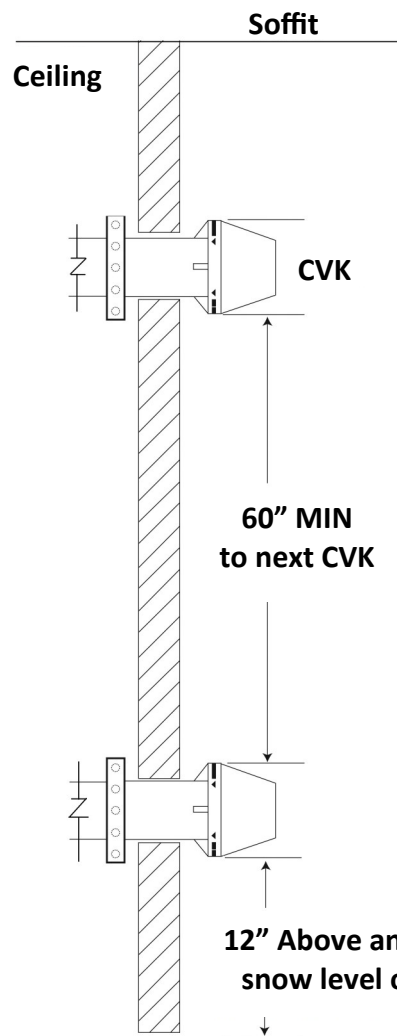
System 636 Concentric Vent Kits Termination Kits Include:		Nominal Pipe Size (Dimension in Inches)						
Item #	Concentric Kit	A	B*	C+	D	E	F	G
196006	3" x 20" PVC	36.1	20	4.5	3	3	8.75	2.25
196021	4" x 36" PVC	56	37.3	6.62	4	4	10	3.5
197009	3" x 20" CPVC	36.1	20	4.5	3	3	8.75	2.25
197021	4" x 36" CPVC	56	37.3	6.62	4	4	10	3.5
1 Wye - (Concentric) 2 Rain Cap 3 Exhaust Vent Pipe (Inner) 4 Fresh Air Intake Pipe (Outer) 5 Stainless Steel Screw & Nut		B* Dimension be may be shortened to a minimum of 12". Inner pipe (item 3) must remain "F" inches longer than the outer pipe (item 4). Cut pipe ends square and solvent cement as outlined in the System 636 installation manual. C+ Installation cutout should be at least 1/2" larger than dimension "C". Lengthening the units is not permitted.						

IPEX CONCENCTRIC VENT KIT (CVK) CLEARANCES:

ACCEPTABLE VENTING CLEARANCES FOR IPEX CONCENCTRIC VENT KIT (CVK) TERMINATION



TWO OR MORE VENT TERMINALS ON SAME LEVEL



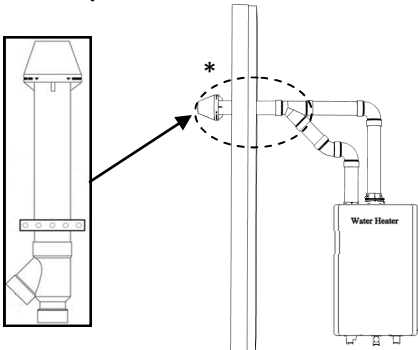
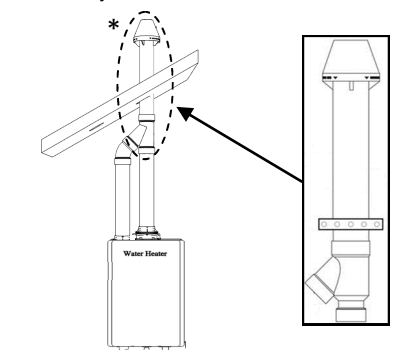
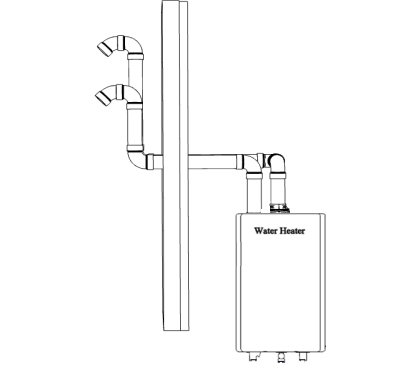
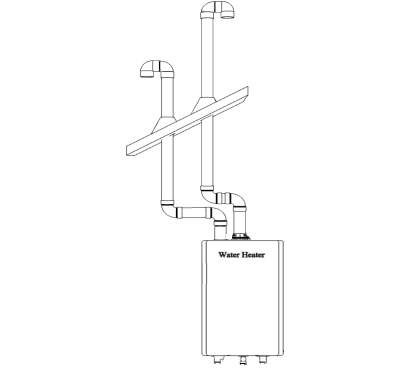
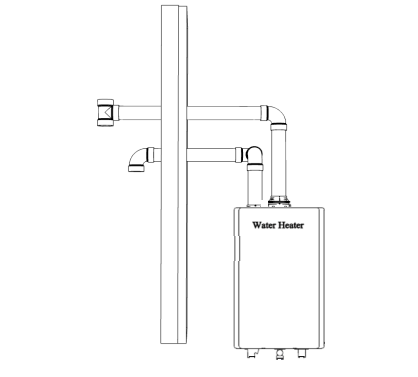
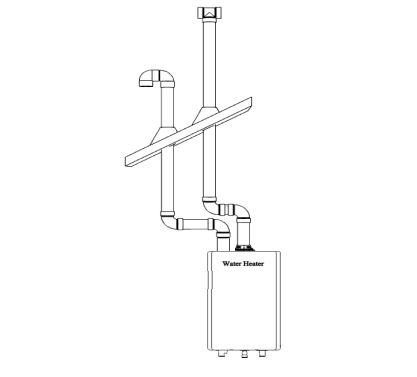
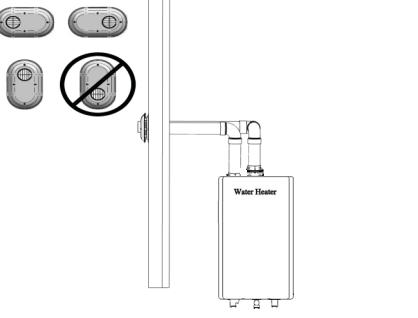
Reference the "General Clearance Requirements" section of this manual for important considerations for locating vent termination under a soffit (ventilated or unventilated), eave, or deck/porch.

Vertical between Terminals

NOTE

Vent spacing depicted above is specific to the IPEX PVC/CPVC- FGV Concentric Vent Kit **ONLY**; for required spacing for all other termination types refer to subsequent pages of this manual.

Table 8: Approved PVC/CPVC Vent Configurations

<p>3" or 4" PVC/ CPVC IPEX System 636 or 3" Royal Concentric Side Wall Termination Configuration</p>	<p>This configuration requires the use of the IPEX or Royal Concentric Vent Termination</p> 	<p>3" or 4" PVC/ CPVC IPEX System 636 or Royal Concentric Vertical Termination Configuration</p>	<p>This configuration requires the use of the IPEX or Royal Concentric Vent Termination</p> 
<p>3" or 4" PVC/ CPVC Snorkel Termination Configuration</p>		<p>3" or 4" PVC/ CPVC Standard upside down "U" Vertical Termination Configuration</p>	
<p>3" or 4" PVC/ CPVC Tee Side Wall Termination Configuration</p>		<p>3" or 4" PVC/ CPVC Tee Vertical Termination Configuration</p>	
<p>3" IPEX or Royal or 4" IPEX PVC/ CPVC Low Pro- file Termination Configuration</p>		<div style="border: 1px solid black; padding: 5px;"> <p>WARNING</p> <p>* Exhaust and combustion air MUST NOT be brought together into a single PVC pipe using a wye.</p> </div>	

VENTING INSTALLATION SEQUENCE

1. Install the water heater.
2. Determine the termination method—sidewall or vertical, concentric, or separate pipes, etc.
3. Determine proper location for wall or roof penetration for each termination.
4. Install termination assembly as described in this manual.
5. Install air and vent piping from water heater to termination.
6. Slope horizontal exhaust run towards the water heater 1/4" per foot. **DO NOT** slope combustion air pipe towards unit. Be sure to dispose of condensate per local codes.
7. Install pipe supports and brackets every 4 feet allowing for movement from expansion or as per local code requirements.

Certified PVC/CPVC Vent Termination Options (continued)

3" and 4" Low Profile Vent Termination Kits

The following information should be used in conjunction with the IPEX System 636 Installation Guide:

- Termination kits are to be tested and certified for use with the brand of pipe-fitting-cement system that is to be utilized in the application. The IPEX Low Profile termination is fully certified for use with IPEX product only.
- System 636 PVC Low Profile Vent kits are rated to 65°C maximum and are made from certified compound.
- All termination kits must be located and installed in accordance with these instructions, local building code, and CSA B149.1 Natural Gas and Propane Installation Code.

Installation:

- Once a proper location has been determined, cut 2 appropriately sized holes in the wall to accommodate the pipe. (Reference the Low Profile Termination Kit-Dimensions table below)
- Slide intake and exhaust pipes through the holes. Secure (using solvent cement) both pipes to the base of the vent termination kit. (Be sure to follow guidelines for solvent cementing as described in the System 696 Installation Guide)
- Use the supplied screws and anchors to secure the base to the wall. (a drilled 3/16" hole, 1-3/16" deep will be needed for the anchors.) Use the base as a template to locate the anchor hole.
- Using the supplied screws, secure the Cap to the Base.
- Upon securing the vent termination and pipes, seal the wall penetrations (from the interior) using a PVC compatible sealant material.



WARNING

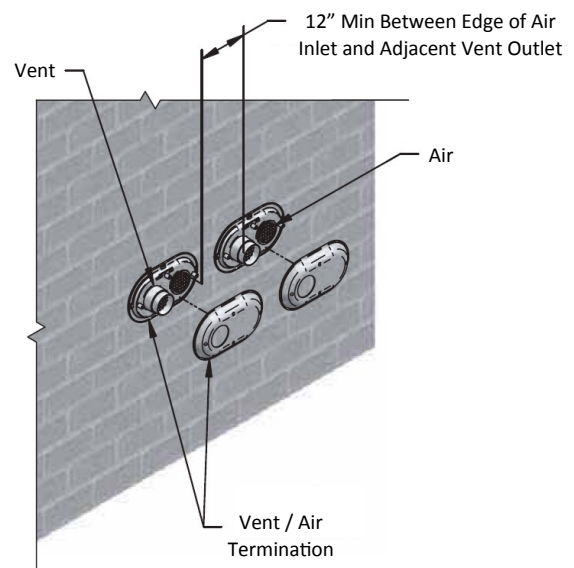
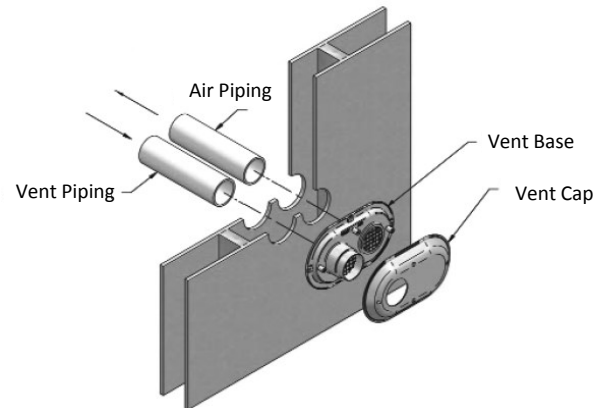
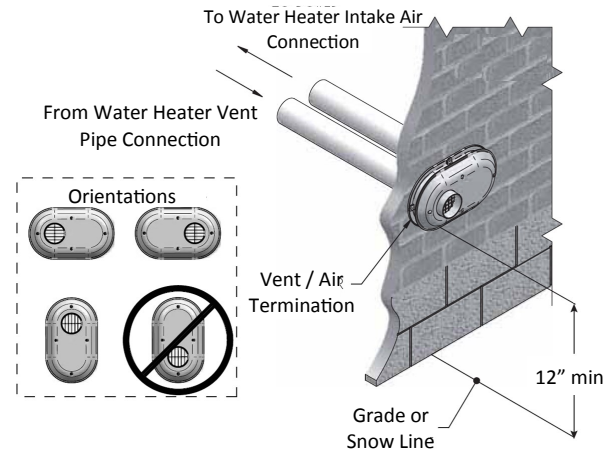
All exhaust vents and air inlets must terminate at the same height to avoid property damage, personal injury, or death.

IPEX Low Profile Termination Kits-Dimensions

Item #	Description	Pipe Outside Diameter	Hole Spacing (Ctr to Ctr)
196985	3" Flush Mount Vent Kit	3.5"	5.6"
196986	4" Flush Mount Vent Kit	4.5"	5.6"

Kit Contents

Qty	Item Description
1	Base (Two Holes)
1	Cap (One Hole)
8	Stainless Steel Screws
4	Plastic Anchors



Certified PVC/CPVC Vent Termination Options (continued)

Twin Pipe (PVC/CPVC) Terminations

PVC/CPVC Sidewall (Tee and Snorkel) Terminations:

Locate the vent and intake air termination using the following guidelines:

1. The total length of the vent or intake air piping must not exceed the limits given in maximum equivalent vent length tables. The equivalent length for 90° elbows and termination associated with the respective vent and intake air piping arrangement **MUST** be subtracted from total length listed in maximum equivalent vent tables.
2. Specific to Side Wall Tee Termination, the vent and intake air piping must terminate at the outside surface of the outer wall, minimum 1" between wall, tee, and elbow socket ends.
3. Termination must be installed a minimum of 12" (30.5 cm), above grade or anticipated snow level.
4. Refer to 'Vent Termination Clearances' table for recommended exhaust/combustion terminal position.

NOTE

If the vent is terminated on a sidewall that is subject to high winds it is recommended to terminate the vent using a tee. A tee provides the best protection against wind.

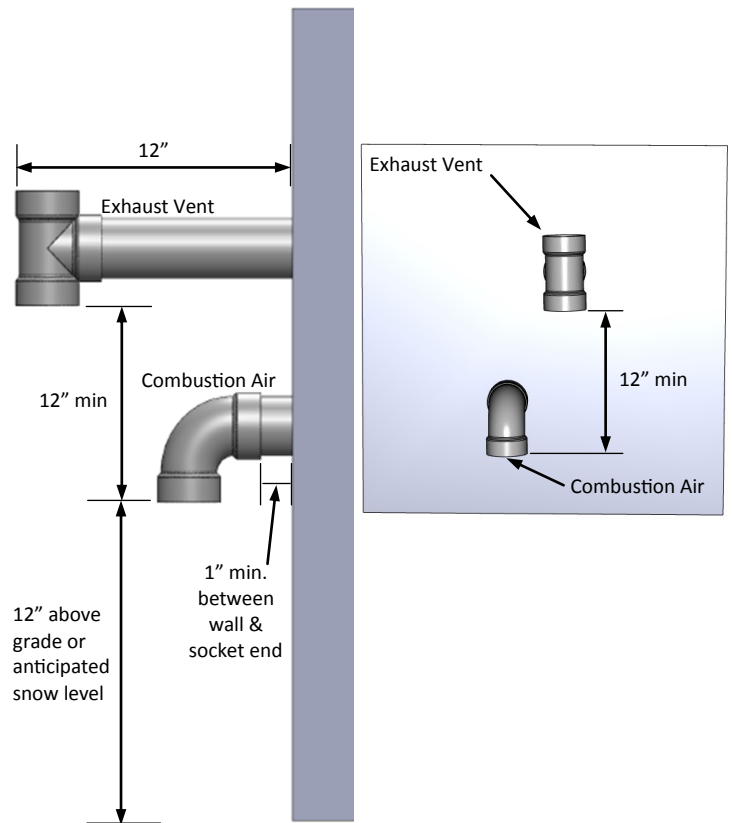
5. The intake air pipe must terminate away from the vent termination. Both vent and air intake pipe terminations must be installed a minimum of 12" (30.5 cm) above grade or highest anticipated snow level and as shown in figures to the right.

NOTICE

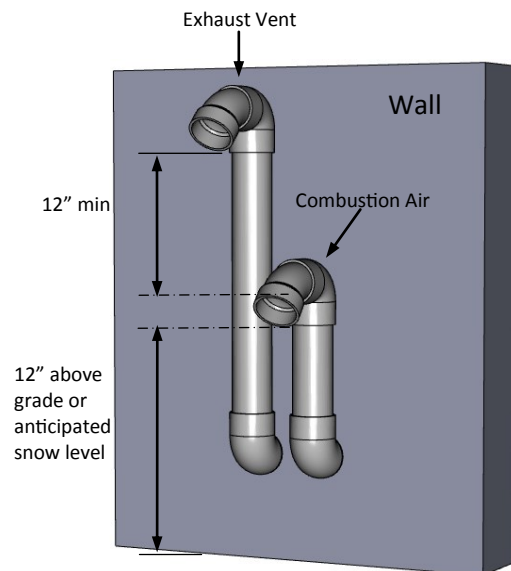
The information and figures depicting method of terminating the vent and combustion air intake pipes are directly related to PVC/CPVC vent systems. When utilizing a method other than a PVC/CPVC vent system there may be some variations. Consult the respective vent manufacturer or the water heater manual for recommendations and clarifications.

NOTICE

Slope horizontal exhaust piping downward toward the water heater a minimum of 1/4 inch per foot. **DO NOT** slope combustion air piping down towards water heater. Dispose of condensate per local codes.



Sidewall Vent and Combustion Air Piping with Tee Termination



Sidewall Vent and Combustion Air Piping with Snorkel Termination

(Picture shown is for illustration purposes only; listed equivalent length is based on worst case scenario of 3 X 90° Elbows or 15 equivalent feet.)

Certified PVC/CPVC Vent Termination Options (continued)

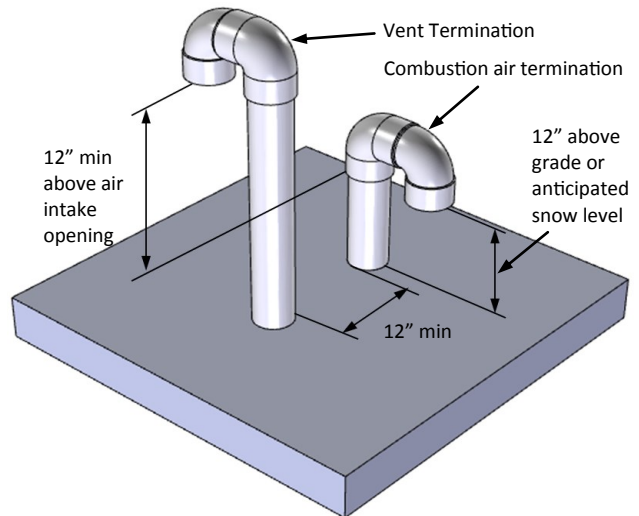
NOTE

All figures shown in this section are in reference to flat roofs. For heights of venting passing through a pitched roof, refer to NFPA 54/ANSI Z223.1-09 (table and figure 12.7.2), CSA B149.1-10 (figure 8.1) Pitched Roof Termination Clearances Diagram (this manual)

PVC/CPVC Roof (Tee and upside down "U") Terminations:

Locate the vent and intake air termination using the following guidelines:

1. The total length of the vent or intake air piping must not exceed the limits given in maximum equivalent vent length tables. The equivalent length for 90° elbows and termination associated with the respective vent and intake air piping arrangement **MUST** be subtracted from the total length listed in maximum equivalent vent length tables.
2. For roof terminations installed as shown in the figures to the right, the intake air piping must terminate using a tee or combination of elbows. The termination must be installed 12" (30.5 cm) above roof or the highest anticipated snow level.
3. The vent must terminate vertically with a coupling to facilitate the bird screen and must be located 12" (30.5 cm) minimum above the combustion air inlet.
4. The vent and intake air terminations must be located a radial distance of 12" minimum (30.5 cm) from outer wall of vent termination to outer wall of combustion air intake termination.

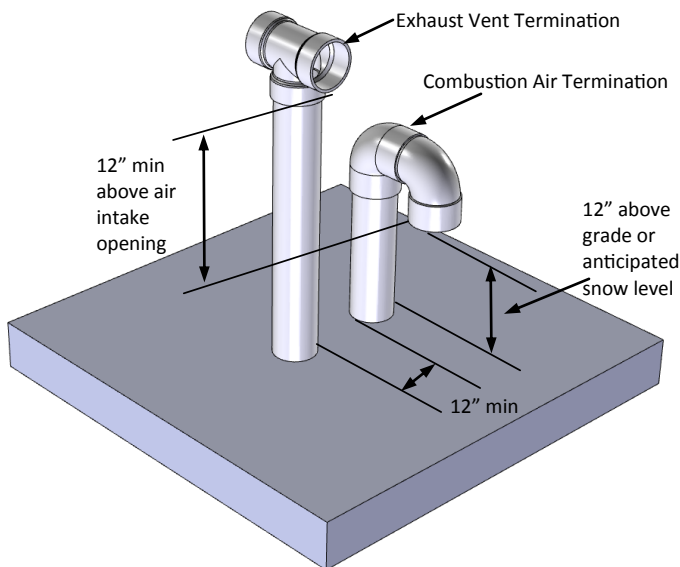


Vertical Termination of U-Vent and Combustion Air Pipe

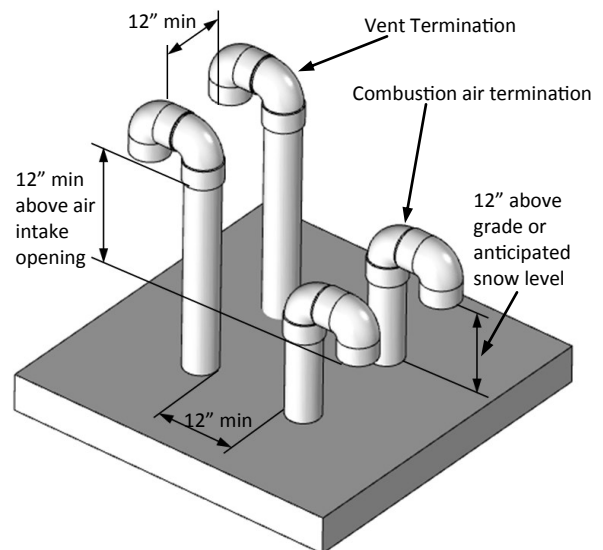
Multiple Water Heater Installation – Through the Roof

Locate the vent and intake air termination using the following guidelines:

1. For installations with multiple Tankless Water Heaters, refer to Figure 16 for proper exhaust and combustion air piping placement.
2. Roof penetration of the vent and intake air piping should be such that the combustion air intake is a minimum 12" (30.5 cm) from the adjacent vent pipe of the other water heater. For installations in the U.S. refer to Figure 16. For installations in Canada, refer to clearances required by CAN/CSA B149.1.



Vertical Termination of Tee-Vent and Combustion Air Pipe



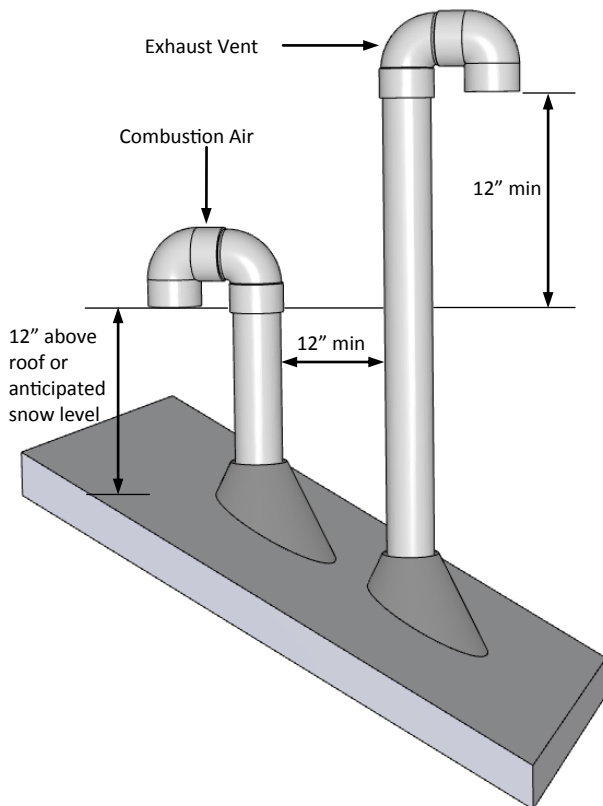
Vertical Termination of Multiple Water Heaters

Certified PVC/CPVC Vent Termination Options (continued)

NOTE

To prevent the possibility of condensate freeze-up, do not install vent kits one above the other. Once the vent terminal location has been determined, make holes through the exterior wall to accommodate the vent pipes. Vent pipes must exit exterior wall horizontally only.

Pitched Roof Termination Clearances:



Vertical Termination of U-Vent and Combustion Air Pipe on a Pitched Roof

NOTE




DO NOT use lubricant between two PVC/CPVC components. Refer to cement manufacturer instruction for specific instructions and handling.

Basic Instructions for Cementing Joints:

1. Cut pipe end square; smooth out jagged edges and burrs. Chamfer end of pipe; then clean fitting socket and pipe joint area of all dirt, grease, or moisture.
2. After checking pipe and socket for proper fit, wipe socket and pipe with cleaner-primer. Apply a liberal coat of primer to inside surface of socket and outside of pipe.

3. Apply a thin coat of cement evenly in the socket. Quickly apply a heavy coat of cement to the pipe and insert pipe into fitting with a slight twisting motion until it bottoms out.
4. Hold the pipe fitting for 30 seconds to prevent the tapered socket from pushing the pipe out of the fitting.
5. Wipe all excess cement from the joint with a rag. Allow 15 minutes before handling. Cure time will vary according to fit, temperature, and humidity

Parts Information

Types of Acceptable PVC/CPVC Elbows for Venting System		
ACCEPTABLE	ACCEPTABLE	NOT ACCEPTABLE
90° Elbows, Female Unthreaded Socket Ends: (Long Turn) Long Sweep	90° Elbows, Female Unthreaded Socket Ends: (1/4 Bend) Short Sweep	90° Elbows, Female Unthreaded Socket Ends: Close Turn
		


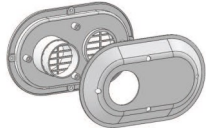



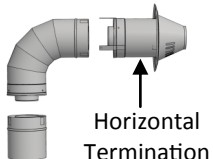
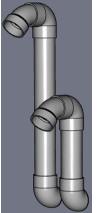
⚠ WARNING

Improper installation of vent system and components, or failure to follow all installation instructions, can result in property damage, personal injury, or death.

Parts Information (continued)

Vent Components and Assigned Equivalent Lengths:

The following fittings and accessories (by others) are certified for use with the above mentioned condensing products:

Approved Termination Component Equivalent Lengths				
OEM	OEM # or Cert.	Product Description	Diagram	Equivalent Lengths (Ft.)
IPEX (Purchased separately)	196006 /197009 (3 Inch) 196021 /197021 (4 Inch) (System 636)	PVC/CPVC- FGV Concentric Vent Kit with vent screen		20
Royal (Purchased separately)	52CVKGV6503	Concentric Vent Termination Kit		
IPEX (Purchased separately)	196985 (3 Inch) 196986 (4 Inch)	Low Profile Termination Kit		5
Royal (Purchased separately)	52SWVKGVS6503	Low Profile Termination Kit		
Field Supplied PVC/CPVC Sch. 40 Fittings or Approved Equal	Comply with CAN/CGA B149.1 & ULC-S636	3" and 4" SCH 40 (Solid Core) PVC/CPVC TEE with vent screen		5
Field Supplied PVC/CPVC Sch. 40 Fittings or Approved Equal	Comply with CAN/CGA B149.1 & ULC-S636	3" and 4" SCH 40 (Solid Core) PVC/CPVC 90° EL with vent screen		5
Field Supplied PVC/CPVC Sch. 40 Fittings or Approved Equal	Comply with CAN/CGA B149.1 & ULC-S636	3" and 4" SCH 40 (Solid Core) PVC/CPVC 45° EL with vent screen		2.5
Metal-Fab (Purchased separately— only for use with Metal-Fab vent pipe)	3CGVRHK3 (2X4 Wall) 3CGVRHK4 (2X6 Wall)	5" outer diameter Concentric Vent kit with transition adapter, elbow, and horizontal termination		22 (Termination alone is 16)
Field Supplied PVC/CPVC Sch. 40 Fittings or Approved Equal	Comply with CAN/CGA B149.1 & ULC-S636	3" and 4" SCH 40 (Solid Core) PVC/CPVC Snorkel vent w/ vent screen (2X90° or 2X90° EL + 1X45° EL)		15

- Vent screens are not ULC S636 Certified.
- Friction fit vent screens inside termination fitting are used to avoid debris and/or small animals from entering vent.
- Primer shall be used when installing System 636® and other PVC/CPVC products at temperatures below 32 °F (0 °C).
- Primer is required in some jurisdictions regardless of temperature, verify with your local authority having jurisdiction.
- Use only System 636 cements and primers; substituting other cements and primers will void IPEX's certification and warranty; (see OEM's literature).
- For Schedule 40 PVC/CPVC, any glue and primer approved by your local authority having jurisdiction may be substituted.

PVC/CPVC Equivalent Vent Length Calculation Sheet

Equivalent Vent Length Calculation Sheet				
	Fitting / Termination Type	Number of fittings	Equivalent Vent Length	Total Equivalent Length
1)	90 elbow	x	5	=
2)	45 elbow	x	2.5	=
3)	IPEX Low Profile Termination	x	5	=
4)	IPEX 4" Concentric Termination	x	20	=
5)	IPEX 3" Concentric Termination	x	20	=
6)	Royal 3" Concentric Termination		20	
7)	Royal Low Profile Termination		5	
8)	3" Tee Termination	x	5	=
9)	4" Tee Termination	x	5	=
10)	3" Snorkel Termination	x	15	=
11)	4" Snorkel Termination	x	15	=
12)	Length of Straight Section in feet	NA		=
			Total (add up lines 1 through	

Note: Ensure SW 1 in DIPSW 1 is in "OFF" position if vent length is greater than 21ft (6.4m).

Condensate

Condensate can form in high efficiency direct vent appliances. Without proper drainage, condensate will damage the heat exchanger.

To prevent condensate damage, follow these instructions.

DO NOT

- Do not connect the condensate drain pipe directly to the rain sewer.
- Do not connect the condensate drain line with an air conditioning evaporator coil drain.

MUST DO

- Use only venting that is approved and identified as acceptable for your particular model.
- Slope the venting toward the appliance according to the vent manufacturer's installation instructions.
- All condensate must drain and be disposed of according to local codes.
- Use only corrosion resistant materials for the condensate drain lines such as PVC pipe or plastic hose.
- The condensate drain pipe (along its entire length) must be at least the same diameter as the drain line, (1/2 inch NPT).
- The end of the condensate drain pipe should be open to the atmosphere. The end should not be under water or other substances.
- To minimize freezing of the condensate in outdoor units, run the condensate drain line through an interior wall or between insulation and an interior wall.
- It is recommended that the condensate trap drain line be insulated. A frozen condensate trap results in a diagnostic code 25.

INFORMATION

- Water heaters have an integrated condensate collector.
- Regions of cold climate will create more condensate in the vent system.
- The condensate drain pipe should be as short as possible and have a downward pitch.
- If the condensate drain gets blocked, a diagnostic code will display on the controller or status monitor. If this occurs, the condensate drain must be cleaned.
- The condensate trap will automatically prime (self-prime) during operation of the unit as condensate forms. Condensate draining from the unit indicates that the trap is full and that there is no blockage in the condensate drain. It is not necessary to add water to the condensate trap.
- A condensate neutralizer kit, 804000074, is available from Rinnai. The kit allows condensate to flow through neutralizing media that raises the pH of the condensate to a level that will help prevent corrosion of the drain and public sewer system.

Checklist for Venting and Condensate (indoor models only)

- Verify proper clearances around the vents and air intakes.
- For indoor models, ensure SW4 in DIPSW2 is set to the appropriate venting style.
- Ensure you have used the correct venting products for the model installed and that you have completely followed the venting manufacturer's installation instructions and these installation instructions.
- Verify that the vent system does not exceed the maximum length for the number of elbows used.

Installation of Plumbing

Pressure Relief Valve Requirements

A pressure relief valve must be installed according to these instructions.

An approved pressure relief valve is required by the *American National Standard (ANSI Z21.10.3)* for all water heating systems and shall be accessible for servicing.

DO NOT

- Do not plug the relief valve and do not install any reducing fittings or other restrictions in the relief line. The relief line should allow for complete drainage of the valve and the line.
- Do not place any other type valve or shutoff device between the relief valve and the water heater.

MUST DO

- The relief valve must comply with the standard for *Relief Valves and Automatic Gas Shutoff Devices for Hot Water Supply Systems ANSI Z21.22* and /or the standard *Temperature, Pressure, Temperature and Pressure Relief Valves and Vacuum Relief Valves, CAN1-4.4*.
- The relief valve must be rated up to 150 psi and to at least the maximum BTU/hr of the appliance.
- The discharge from the pressure relief valve should be piped to the ground or into a drain system per local codes.
- The pressure relief valve must be manually operated once a year to check for correct operation.



WARNING

Water discharged from the pressure relief valve could cause severe burns instantly or death from scalds.

- The relief valve should be added to the hot water outlet line and near the hot water outlet according to the manufacturer's instructions. **DO NOT** place any other type valve or shut off device between the relief valve and the water heater.

INFORMATION

- If a relief valve discharges periodically, this may be due to thermal expansion in a closed water supply system. Contact the water supplier or local plumbing inspector on how to correct this situation. Do not plug the relief valve.
- The *American National Standard (ANSI Z21.10.3)* does not require a combination temperature and pressure relief valve for this appliance. However, local codes may require a combination temperature and pressure relief valve.

Isolation Valves

Rinnai strongly recommends the installation of isolation valves on the cold and hot water lines because they provide the ability to isolate the water heater from the structure's plumbing and allow quick access to flush the heat exchanger. Flushing the heat exchanger regularly is required as part of the proper maintenance for this water heater.

Piping Requirements

A manual water control valve must be placed in the water inlet connection to the water heater before it is connected to the water line. Unions may be used on both the hot and cold water lines for future servicing and disconnection of the unit.

DO NOT

- Do not introduce toxic chemicals such as those used for boiler water treatment to the potable water used for space heating.

MUST DO

- The piping (including soldering materials) and components connected to this appliance must be approved for use in potable water systems.
- Purge the water line to remove all debris and air. Debris will damage the water heater.
- If the appliance will be used as a potable water source, it must not be connected to a system that was previously used with a non-potable water heating appliance.
- Ensure that the water filter on the water heater is clean and installed.

Isolation Valves and Pressure Relief Valve (PRV)

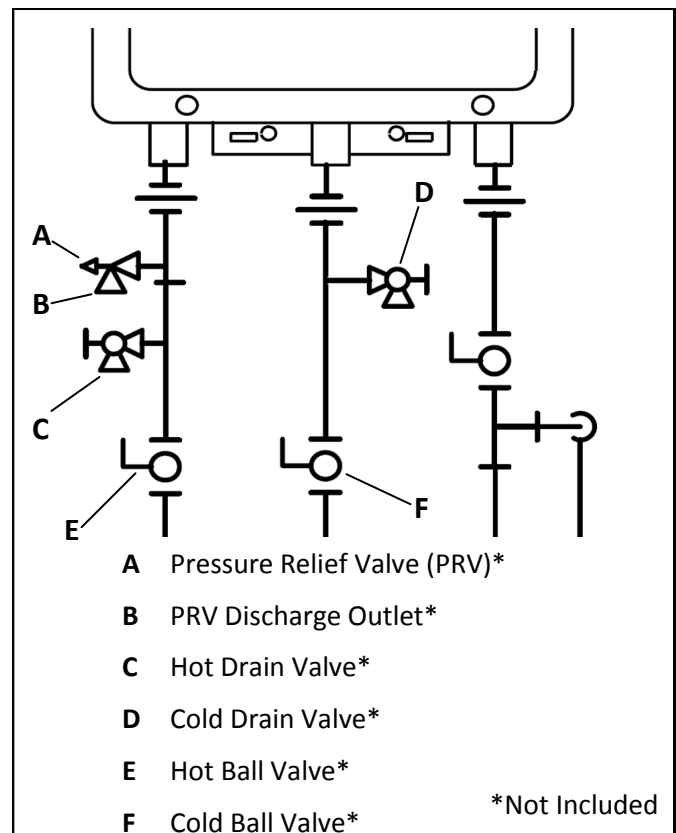
The isolation valves provide the ability to isolate the water heater from the structure's plumbing and allow quick access to flush the heat exchanger. Check with local codes to determine if a pressure and temperature relief valve is required. The valves must meet *American National Standard (ANSI Z21.10.3) / Canadian Standard (CSA 4.3)* and are ANSI/NSF 61 approved for potable water.

Isolation Valves Installation Instructions:

NOTICE

When unscrewing the UNION FITTING, Be careful not to lose any washers and/or gaskets that may be present.

1. Wrap the ends of the threaded water inlet and outlet on the tankless water heater, as well as the threaded end of the approved pressure relief valve with a minimum of 5 wraps of Teflon® tape.
2. Screw the pressure relief valve into the 3/4" threads opposite the wing handle on the HOT water service valve. (RED drain handle) (see Pressure Relief Valve Section for proper installation requirements)
3. Loosen the 3/4" union nut on the HOT water valve and connect to the HOT water outlet on the tankless water heater. If nut is removed, ensure that you realign the tailpiece accurately to the valve and that the black washer is positioned such that the raised metal edge of the valve is inside the washer.
4. Align the direction of the HOT water drain to the desired position.
5. Tighten the union assembly to the HOT water valve using approximately 15 foot lbs of torque.
6. Repeat steps 3-5 for the COLD water valve. (BLUE drain handle) for connection to the COLD water inlet on the tankless water heater.
7. Connect the INLET on the COLD water valve to the MAIN SOURCE of the water supply.
8. Connect the OUTLET on the HOT water valve to the HOT WATER plumbing system.
9. Ensure that both drain valve lever handles are in the closed position (perpendicular to the drain portion of the body).



Pressure Relief Valve Installation Instructions:

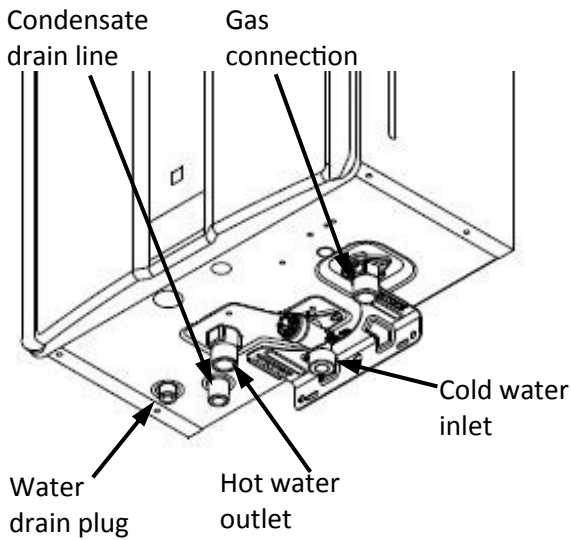
The PRV must be connected to the 3/4" threaded port on the HOT (RED) water service valve (will be adjacent to or above the shut off, never below). Installation must maintain a 3/4" port size with no shut off valve or line restriction in-between the appliance and the PRV. The discharge line from the PRV should pitch downward and terminate 6" above drains where discharge will be clearly visible. The discharge end of the line shall be plain (*unthreaded*) and a minimum of 3/4" in diameter. The discharge line material must be suitable for water at least 180° Fahrenheit. No valve of any type may be installed in the discharge line of the pressure relief valve.

Pressure Relief Valve Maintenance:

For proper care of this approved pressure relief valve, it is recommended that the valve is manually operated once a year. In doing so, it will be necessary to take precautions with regard to the discharge of potentially scalding hot water under pressure. Ensure discharge water has a safe place to flow. Contact may cause property damage and/or bodily harm.

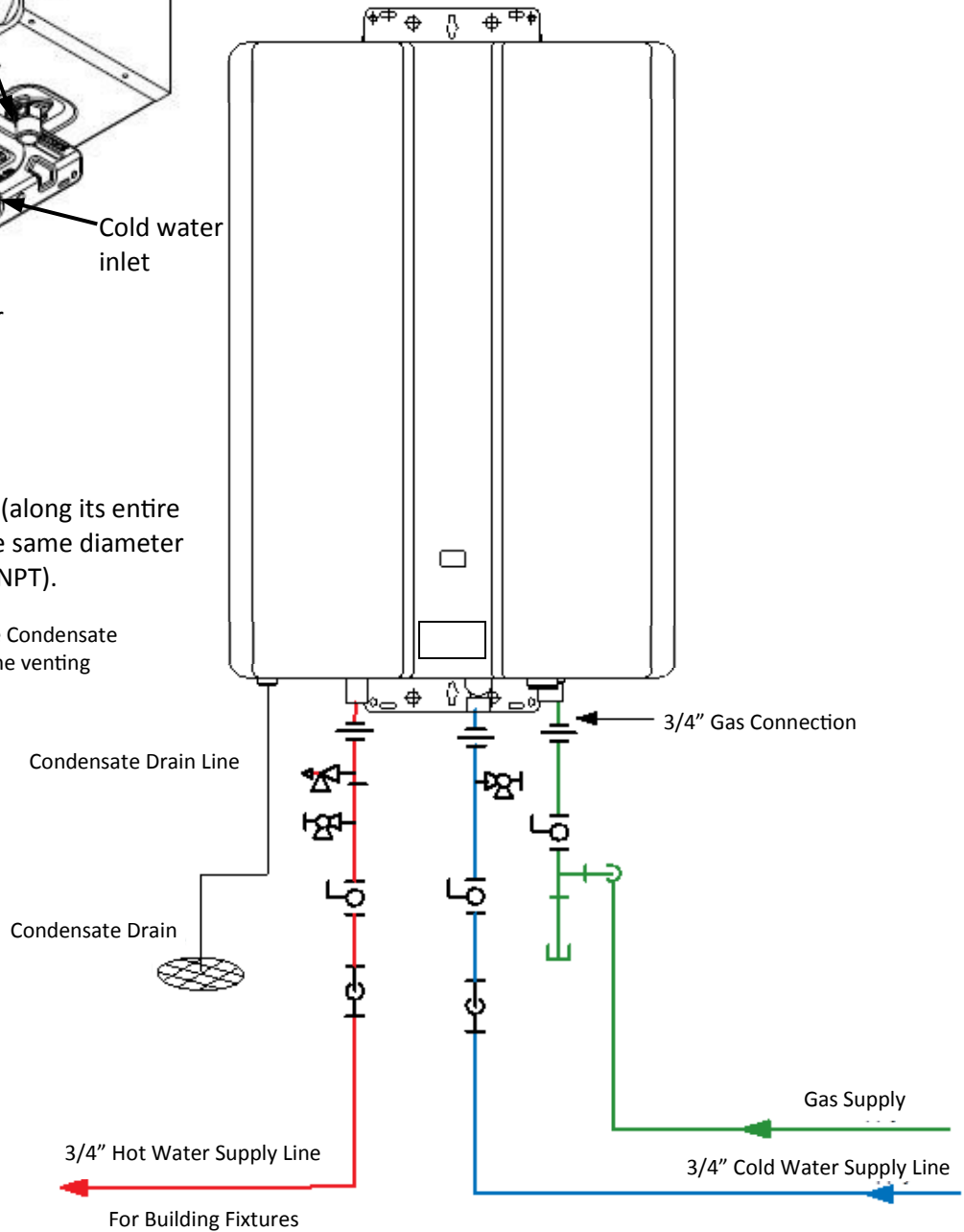
Please note PRV must be rated for up to 150 psi and at least the maximum BTU/hr of the appliance.

Piping Diagram for Basic Installation



The condensate drain pipe (along its entire length) must be at least the same diameter as the drain line, (1/2 inch NPT).

Refer to the Condensate section in the venting instructions



KEY		This is not an engineered drawing. It is intended only as a guide and not as a replacement for professionally engineered project drawings. This drawing is not intended to describe a complete system. It is up to the contractor/engineer to determine the necessary components and configuration of the particular system being installed. This drawing does not imply compliance with local building code requirements. It is the responsibility of the contractor/engineer to ensure installation is in accordance with all local building codes. Confer with local building officials before installation.	
	3/4" Ball Valve		
	3/4" Union		Circulating Pump
	Check Valve		Boiler Drain Valve
	Pressure Relief Valve		Solenoid Valve

Connect Water Heater to Water Supply

Water connections to the tankless water heater should follow all state and local plumbing codes.

If this is a standard installation, refer to the Piping Diagram for Basic Installation.

1. Plumb water supply to the tankless water heater on the 3/4" MNPT connection at the bottom of the unit marked "Water Inlet", which is the cold water supply.
2. Plumb the building hot water supply to the 3/4" MSPT connection marked "Water Outlet", which is the hot water supply.

If a pipe cover will be installed, make sure water lines to the water heater fit.

Checklist for Plumbing

- Purge the water line of all debris and air by closing the hot isolation valve and opening the cold isolation valve and its drain. **Debris will damage the water heater.** Use a bucket or hose if necessary.
- Ensure that hot and cold water lines are not crossed to the unit and are leak free.
- Ensure that a pressure relief valve is properly installed with a rating that exceeds the BTU input of the water heater model. Refer to the rating plate on the side of the water heater for BTU input.
- Clean the inlet water filter by closing the cold and hot water inlet isolation (shut-off) valves. Put a bucket under the filter at the bottom of the water heater to catch any water that is contained inside the unit. Unscrew the water filter. Rinse the filter to remove any debris. Install the filter and open the isolation valves.
- Check for proper water pressure to the water heater. Minimum water pressure is 50 psi. Rinnai recommends 60-80 psi for maximum performance.
- Ensure any issues regarding water quality have been properly addressed.

Installation of Gas Supply

WARNING

1. A licensed professional must install the gas supply.
2. Turn off 120v power supply.
3. Turn off the gas.
4. Gas is flammable. Do not smoke or provide other ignition sources while working with gas.
5. Do not turn on the water heater or gas until all fumes are gone.

General Instructions

MUST DO

- A manual gas control valve must be placed in the gas supply line to the water heater. A union can be used on the connection above the shut off valve for the future servicing or disconnection of the unit.
- Check the type of gas and the gas inlet pressure before connecting the water heater. If the water heater is not of the gas type that the building is supplied with, DO NOT connect the water heater. Contact the dealer for the proper unit to match the gas type.
- Check the gas supply pressure immediately upstream at a location provided by the gas company. Supplied gas pressure must be within the limits shown in the Specifications section of this manual with all gas appliances operating.
- Before placing the appliance in operation, all joints including the heater must be checked for gas tightness by means of leak detector solution, soap and water, or an equivalent nonflammable solution, as applicable. (Since some leak test solutions, including soap and water, may cause corrosion or stress cracking, the piping shall be rinsed with water after testing, unless it has been determined that the leak test solution is non-corrosive.)
- Use approved connectors to connect the unit to the gas line. Purge the gas line of any debris before connection to the water heater.

- Any compound used on the threaded joint of the gas piping shall be a type that resists the action of liquefied petroleum gas (propane / LPG).
- The gas supply line shall be gas tight, sized, and so installed as to provide a supply of gas sufficient to meet the maximum demand of the heater and all other gas consuming appliances at the location without loss of pressure.

INFORMATION

- If in doubt about the size of the gas line, refer to an approved pipe sizing chart

Size the gas pipe

The gas supply must be capable of handling the entire gas load required at the location. Gas line sizing is based on gas type, the pressure drop in the system, the gas pressure supplied, and gas line type. For gas pipe sizing in the United States, refer to the *National Fuel Gas Code, NFPA 54*. The below information is provided as an example. The appropriate table from the applicable code must be used.

1. For some tables, you will need to determine the cubic feet per hour of gas required by dividing the gas input by the heating value of the gas (available from the local gas company). The gas input needs to include all gas products at the location and the maximum BTU usage at full load when all gas products are in use.
2. Use the table for your gas type and pipe type to

$$\text{Cubic Feet per Hour (CFH)} = \frac{\text{Gas Input of all gas products (BTU / HR)}}{\text{Heating Value of Gas (BTU / FT}^3\text{)}}$$

find the pipe size required. The pipe size must be able to provide the required cubic feet per hour of gas or the required BTU/hour.

Example:

The heating value of natural gas for your location is 1000 BTU/FT³. The gas input of the RUCS75i is 160,000 BTU/HR. Additional appliances at the location require 65,000 BTU/hr. Therefore the cubic feet per hour = (160,000 + 65,000) / 1000 = 165 FT³/HR. If the pipe length is 10 feet then the 3/4 inch pipe size is capable of supplying 264 FT³/HR of natural gas.

Pipe Sizing Table - Natural Gas				
Schedule 40 Metallic Pipe				
Inlet Pressure: less than 2 psi (55 inches W.C.)				
Pressure Drop: 0.3 inches W.C.				
Specific Gravity: 0.60				
cubic feet per hour				

Length	Pipe Size (inches)			
	3/4	1	1 1/4	1 1/2
10	273	514	1060	1580
20	188	353	726	1090
30	151	284	583	873
40	129	243	499	747
50	114	215	442	662
60	104	195	400	600
70	95	179	368	552
80	89	167	343	514
90	83	157	322	482
100	79	148	304	455

Pipe Sizing Table - Propane Gas				
Schedule 40 Metallic Pipe				
Inlet Pressure: 11.0 inches W.C.				
Pressure Drop: 0.5 inches W.C.				
Specific Gravity: 1.50				
Capacity in Thousands of BTU per Hour				

Length	Pipe Size (inches)			
	1/2	3/4	1	1 1/4
10	291	608	1150	2350
20	200	418	787	1620
30	160	336	632	1300
40	137	287	541	1110
50	122	255	480	985
60	110	231	434	892
80	101	212	400	821
100	94	197	372	763

Connect Electricity

⚠ WARNING

Do not use an extension cord or an adapter plug with this appliance.

The water heater must be electrically grounded in accordance with local codes and ordinances or, in the absence of local codes, in accordance with the National Electrical Code, ANSI/NFPA No. 70.

Indoor water heaters are equipped with a three-prong (grounding) plug for your protection against shock hazard and should be plugged directly into a properly grounded three-prong receptacle. Do not cut or remove the grounding terminal from this plug.

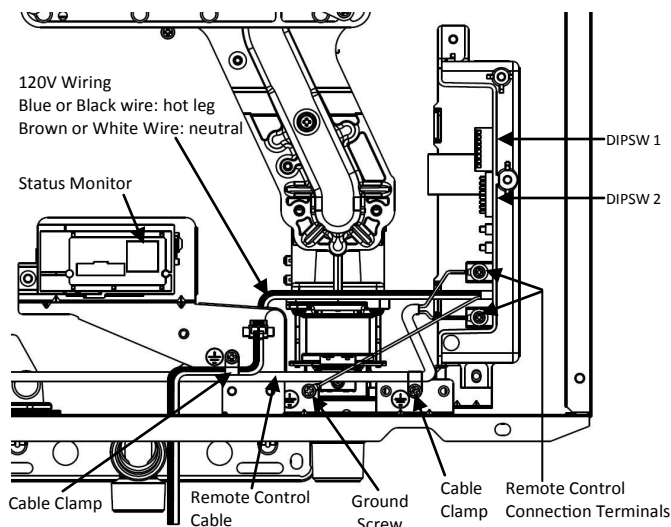
Do not rely on the gas or water piping to ground the water heater. A screw is provided in the junction box for the grounding connection.

The water heater requires 120 VAC, 60 Hz power from a properly grounded circuit.

If using the 5 foot long power cord, plug it into a standard 3 prong 120 VAC, 60 Hz properly grounded wall outlet.

On outdoor models, a disconnect switch must be provided and installed for the incoming 120 VAC power. It should be a type that is suitable for outdoor use. Check the National Electrical Code, ANSI/NFPA 70 and your local codes for a proper switch type to use in your area.

The wiring diagram is located on the Technical Sheet attached to the inside of the front cover.



Adjustment for High Altitude Installations

Set SW3 in DIPSW 1 to the values shown in table below for your altitude. The default setting for the appliance is 0-2000 ft (0-610 m) with switches SW3 in the OFF position.

When the DIP switch is adjusted, it is not necessary to adjust the gas pressure setting for high altitude.

Altitude	SW3 in DIPSW 1
0-2000 ft (0-610 m)	OFF
2001-5400 ft (610-1646 m)	ON

Adjustment for Vent Length (indoor models only)

Adjust SW 1 in DIPSW 1 if required. Refer to the section “Maximum vent length”.

Checklist for Gas and Electricity

- A manual gas control valve is placed in the gas line to the water heater.
- Check the gas lines and connections for leaks.
- Confirm that the gas inlet pressure is within limits.
- Confirm that the water heater is rated for the gas type supplied.
- Confirm that the electricity is supplied from 120 VAC, 60 Hz power source and is in a properly grounded circuit.
- Confirm that an extension cord or an adapter plug has **NOT** been used with the water heater.

Installation of Optional Temperature Controller

⚠ WARNING

Turn the power off. Do not attempt to connect the temperature controller(s) with the power on. Although the controller is a low voltage device, there is 120 volt potential next to the temperature controller connections inside the unit.

Do not connect the temperature controller to the 120VAC terminals provided for the optional solenoid drain valves.

The units referenced in this manual do not include a temperature controller.

Controller Location

- The controller should be out of reach of small children.
- Avoid locations where the controller may become hot (near an oven or radiant heater).
- Avoid locations in direct sunlight. The digital display may be difficult to read in direct sunlight.
- Avoid locations where the temperature controller could be splashed with liquids.
- Do not install in locations where the controller can be adjusted by the public.

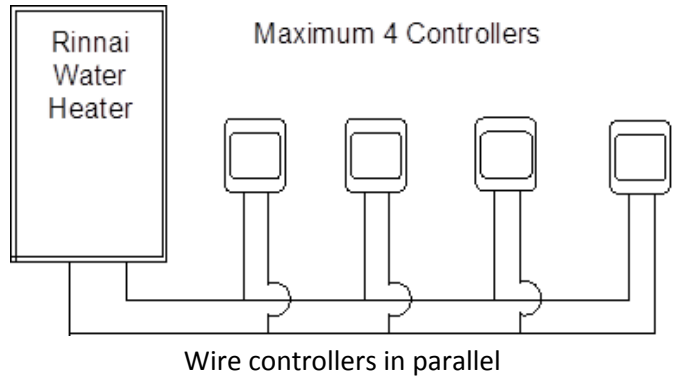
Cable Lengths and Sizes

The cable for the temperature controller should be a non-polarized two-core cable with a minimum gauge of 22 AWG. The maximum cable length from each controller to the water heater depends on the total number of wired controllers connected to the water heater.

Number of Wired	Maximum Cable Length for each
1	328 ft (100 m)
2	164 ft (50 m)
3 or 4	65 ft (20 m)

Configurations

A maximum of 4 temperature controllers can be installed for a water heater or bank of water heaters. Controllers can only be wired in parallel. Controllers cannot be wired in series.



The 4 temperature controllers can consist of multiple MC-91-2.

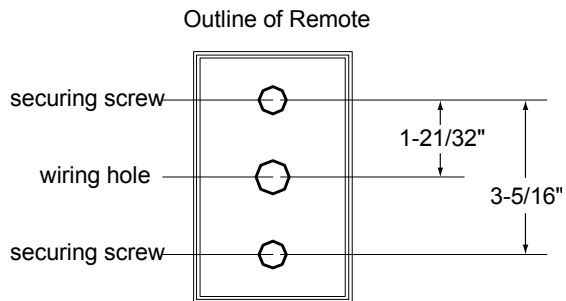
(MC-91-1 should not be installed on a unit that already has an MC-91-2 connected)

If 4 MC-91-2's are installed, simultaneously press the Priority and On/Off buttons on the fourth controller until a beep sounds.

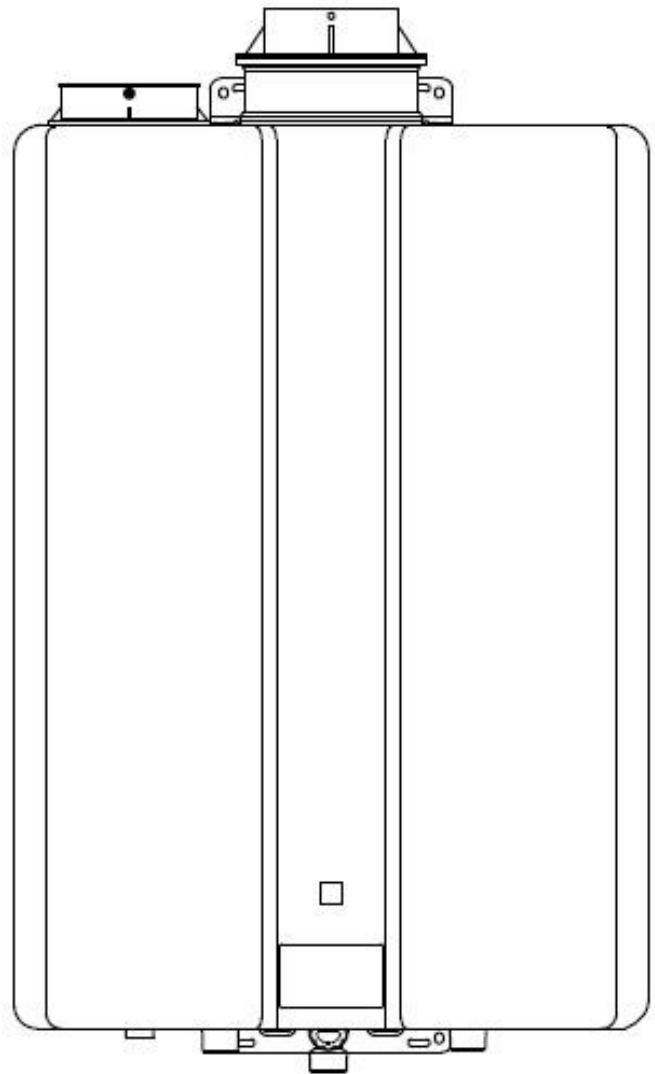
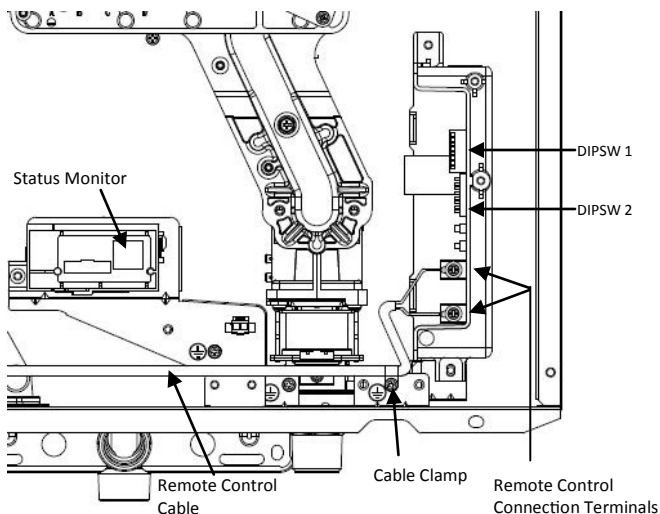
Do not install MC-100V and BC-100V.

Mounting the controller

1. Make three holes in the wall as shown.



2. Run the cable between the controller and the water heater or the controller and another controller.
3. Remove the face plate from the temperature controller using a screwdriver.
4. Connect the cable to the temperature controller.
5. Mount the controller to the wall using the holes drilled in step 1.
6. Disconnect the power from the water heater.
7. Remove the plastic cover from the PCB and electrical connections.
8. Thread the cable through the access hole at the base of the unit and connect the wires to the controller terminals on the right hand side bottom of the PCB.
9. Secure the controller cable using the clamp provided.
10. Replace plastic cover over PCB and then replace the cover of the water heater.



Once Installation is complete, install the front panel and cycle the unit on to ensure it is functioning correctly. Proper installation/operation of the unit is with the front panel installed.

Final Checklist

- The water heater is not subject to corrosive compounds in the air.
- Water supply does not contain chemicals or exceed total hardness referenced in manual.
- Clearances from the water heater unit are met.
- Clearances from vent termination are met.
- For indoor models, ensure you have used the correct venting products for the model installed and that you have completely followed the venting manufacturer's installation instructions and these installation instructions.
- For indoor models, verify that the vent system does not exceed the maximum length for the number of elbows used.
- For indoor models, verify that SW 1 in DIPSW 1 has been adjusted for vent length if necessary. Refer to the section on Maximum Vent Length.
- For indoor models, ensure SW4 in DIPSW 2 is set to the appropriate venting style.
- Purge water line of all debris and air by closing hot isolation valve and opening the cold isolation valve and its drain. **Debris will damage the water heater.** Use a bucket or hose if necessary.
- Ensure that hot and cold water lines are not crossed to the unit and are leak free.
- A manual gas control valve has been placed in the gas line to the water heater.
- Ensure a pressure relief valve is properly installed with a rating that exceeds the BTU input of the water heater model. Refer to the rating plate on the side of the water heater for BTU input.
- Clean the inlet water filter by closing the cold and hot water inlet isolation (shut-off) valves. Put a bucket under the filter at the bottom of the water heater to catch any water that is contained inside the unit. Unscrew the water filter. Rinse the filter to remove any debris. Install the filter and open the isolation valves.
- Check the gas lines and connections for leaks.
- Confirm that the gas inlet pressure is within limits.
- Confirm that the water heater is rated for the gas type supplied.
- Confirm that the electricity is supplied from a 120 VAC, 60 Hz power source, is in a properly grounded circuit, and turned on.
- Verify the temperature controller or status monitor is functioning properly.
- Verify that SW3 in DIPSW 1 is set correctly for your altitude.
- Verify the system is functioning correctly by connecting your manometer to the gas pressure test port on the water heater. Operate all gas appliances in the home or facility at high fire. The inlet gas pressure at the water heater must not drop below that listed on the rating plate.
- DO NOT** introduce toxic chemicals such as those used for boiler water treatment to the potable water used for space heating.
- If the water heater is not needed for immediate use, drain the water from the heat exchanger.
- Install the front panel.
- Explain to the customer the importance of not blocking the vent termination or air intake.
- Explain to the customer the operation of the water heater, safety guidelines, maintenance, and warranty.
- The installation must conform with local codes or, in the absence of local codes, with the *National Fuel Gas Code, ANSI Z223.1/NFPA 54*, or the *Natural Gas and Propane Installation Code, CSA B149.1*. If installed in a manufactured home, the installation must conform with the *Manufactured Home Construction and Safety Standard, Title 24 CFR, Part 3280* and/or *CAN/SCA Z240 MH Series, Mobile Homes*.
- Inform the consumer if the isolation valves are not installed or if a water softening system is not installed.
- Leave the entire manual taped to the water heater (indoor units) or give the entire manual directly to the consumer.**

Technical Data

Specifications

		<i>RUCS65i</i>	<i>RUCS75i</i>	<i>RUS65e</i>	<i>RUS75e</i>
Minimum Gas Consumption Btu/h		10,300			
Maximum Gas Consumption Btu/h		130,000	160,000	130,000	160,000
Hot water capacity (Min - Max) *		0.26 - 6.5 GPM (1.0 - 25.7 L/min)	0.26 - 7.5 GPM (1.0 - 28.7 L/min)	0.26 - 6.5 GPM (1.0 - 25.7 L/min)	0.26 - 7.5 GPM (1.0 - 28.7 L/min)
Temperature Setting (no controller)		120° F (49° C), 125° F (52° C), 135° F (57° C), 140° F (60° C)			
Maximum Temp Setting		140° F (60° C)			
Minimum Temperature Setting		120° F (49° C)			
Weight		57.3 lb (26 kg)			
Noise level		47 dB		55 dB	
Electrical Data	Normal	89 W		61 W	
	Standby	1.3 W			
	Anti-frost Protection	167 W		140W	
	Max Current	2.3 A			
	Fuse	10 A			
Gas Supply Pressure	Natural Gas	4.0 - 10.5 inch W.C.			
	Propane	8.0 - 13.5 inch W.C.			
By-Pass Control		Fixed			
Type of Appliance		Condensing, Tankless, Temperature controlled continuous flow gas hot water system			
Connections		Gas Supply: 3/4" MNPT, Cold Water Inlet: 3/4" MNPT, Hot Water Outlet: 3/4" MNPT			
Ignition System		Direct Electronic Ignition			
Electric Connections		Appliance: AC 120 Volts, 60Hz. Temperature Controller: DC 12 Volts (Digital)			
Water Temperature Control		Simulation Feed forward and Feedback			
Water Supply Pressure		Minimum Water Pressure: 50 PSI (Recommended 60-80 PSI for maximum performance)			
Maximum Water Supply Pressure		150 PSI			
Remote Control Cable		Non-Polarized Two Core Cable (Minimum 22 AWG)			
Energy Star Qualified		Yes			
Certified for installation in manufactured (mobile) homes		Yes			
Complies with South Coast Air Quality Management District 14 ng/J or 20 ppm NOx emission levels		Yes			

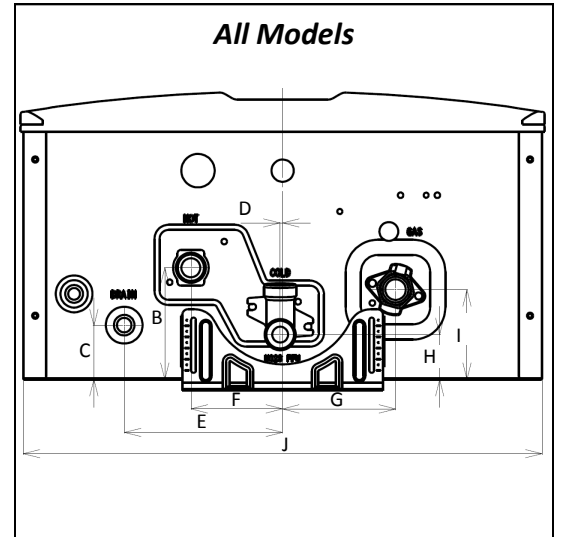
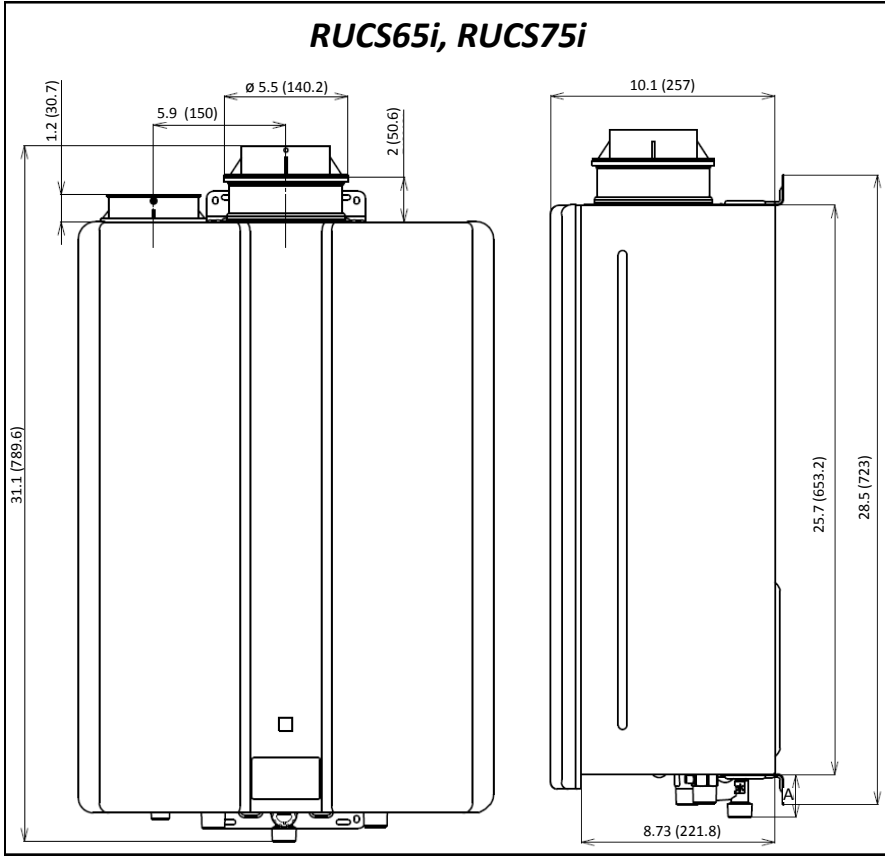
* Minimum flow may vary slightly depending on the temperature setting and the inlet water temperature.
Minimum activation flow is 0.4 GPM (1.5 L/min).

Our products are continually being updated; therefore, specifications are subject to change without prior notice.

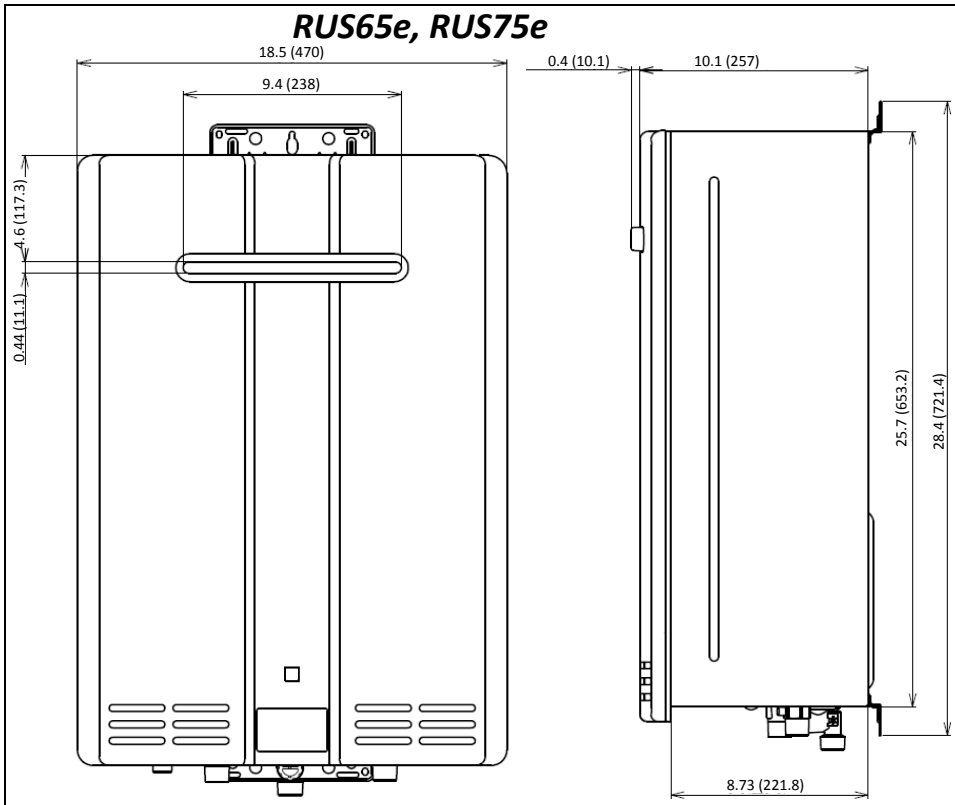
The maximum inlet gas pressure must not exceed the value specified by the manufacturer. The minimum value listed is for the purpose of input adjustment.

Dimensions

Inches (millimeters)



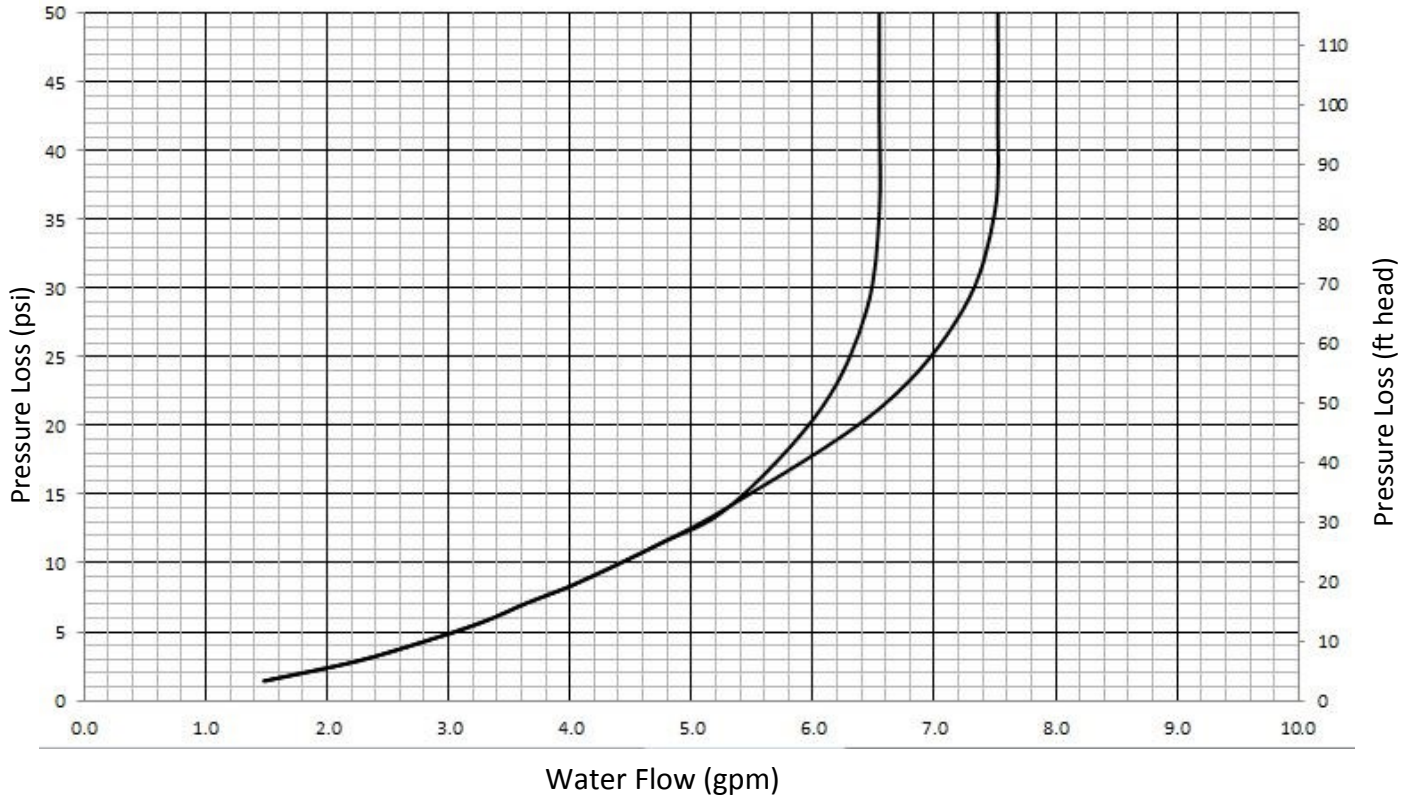
DIMENSION	Inches (mm)
A (GAS)	1.3 (33.2)
A (COLD)	1.93 (49)
A (HOT)	1.35 (34.4)
A (CONDENSATE OUTLET)	0.94 (23.9)
B	3.93 (100)
C	1.91 (48.6)
D	0.09 (2.2)
E	5.6 (142.3)
F	3.24 (82.4)
G	3.99 (101.4)
H	1.58 (40.1)
I	3.17 (80.4)
J	18.3 (466)



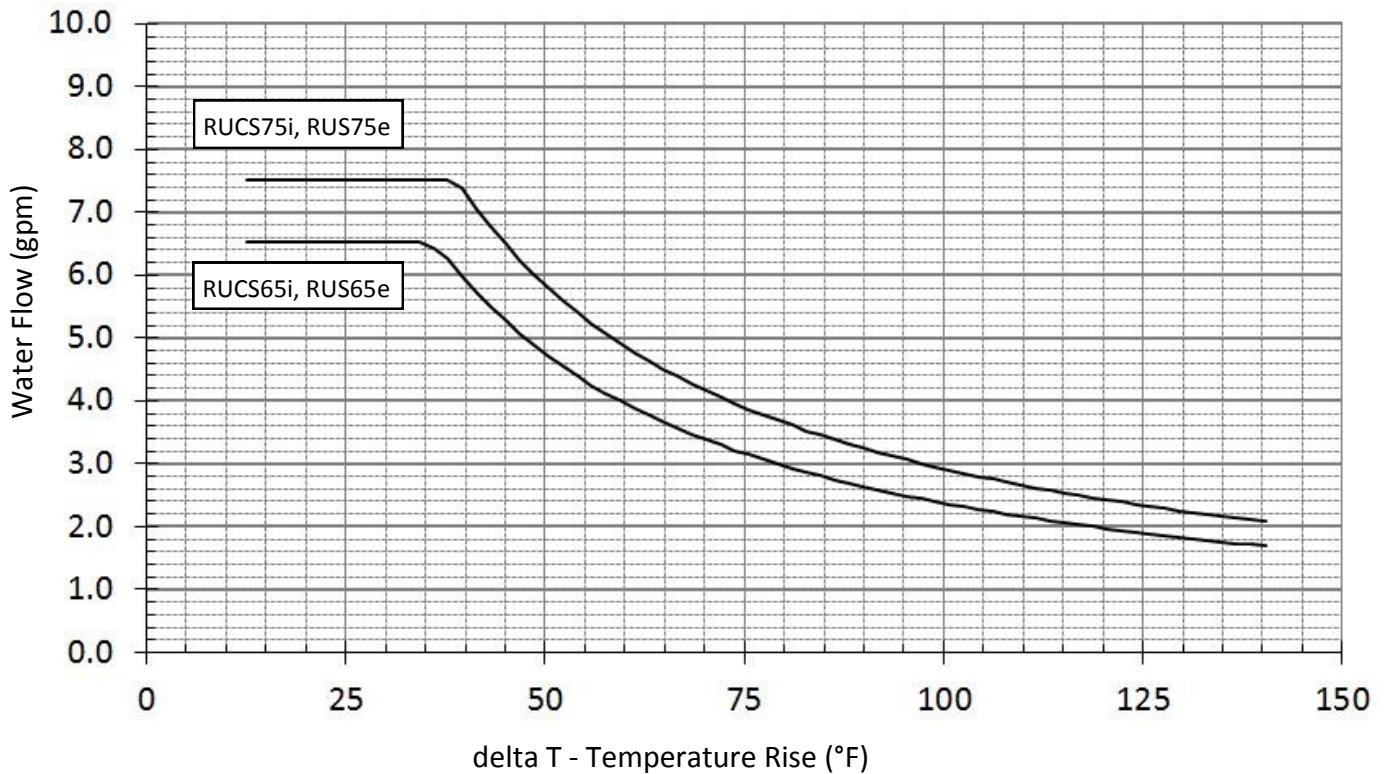
* This is the minimum dimension from the wall. The wall bracket is adjustable to allow an additional 1.3 inches (33 mm).

Pressure Drop and Water Flow Curves

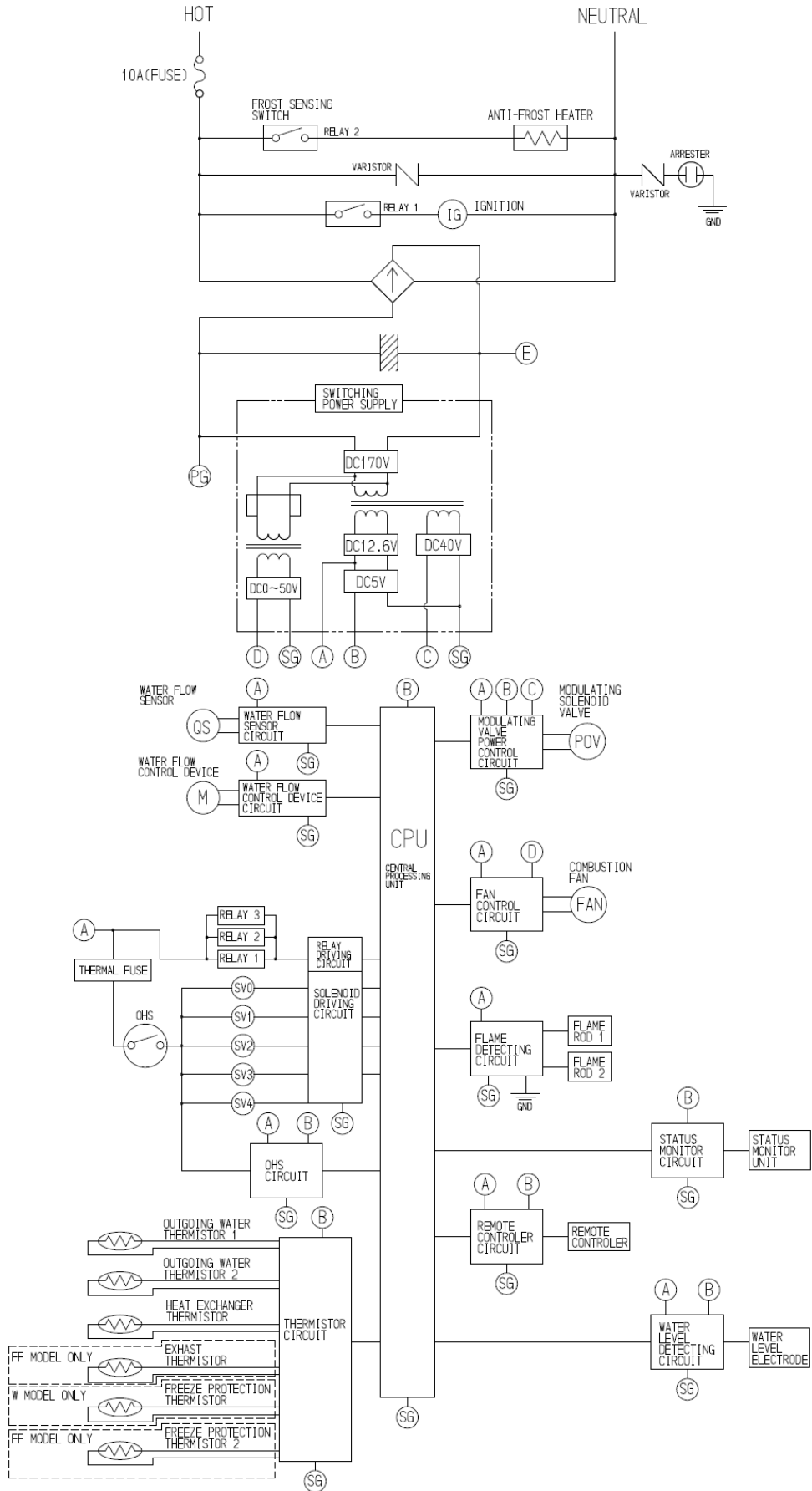
RUCS65i, RUS65e RUCS75i, RUS75e



NOTICE The chart below only applies to incoming water temperatures of 70°F (21°C) or less. For incoming water temperatures greater than 70°F (21°C) please contact Rinnai.



Ladder Diagram



Rinnai®

Direct Vent Tankless Water Heater Operation Instructions

FOR INDOOR APPLICATIONS ONLY

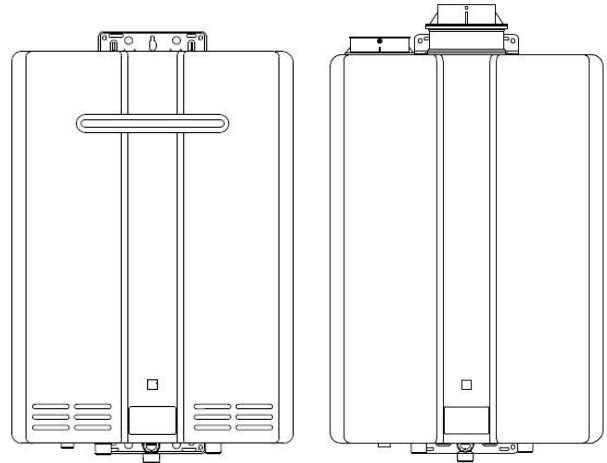
RUCS65i REU-KCM2025FFU-US

RUCS75i REU-KCM2528FFU-US

FOR OUTDOOR APPLICATIONS ONLY

RUS65e REU-KCM2025W-US

RUS75e REU-KCM2528W-US



Important Facts about your Water Heater

Thank you for purchasing a Rinnai Tankless Water Heater. For proper operation and safety, it is important to follow the instructions and adhere to all safety precautions.

Read all of the instructions and the warranty thoroughly before operating this water heater. Keep this manual in a safe place.

NOTICE: Rinnai sometimes shares customer contact information with businesses that we believe provide products or services that may be useful to you. By providing this information, you agree that we can share your contact information for this purpose. If you prefer not to have your information shared with these businesses, please contact customer service and ask not to have your information shared. We will however, continue to contact you with information relevant to the product(s) you registered and/or you account with us.

⚠ WARNING

If the information in these instructions is not followed exactly, a fire or explosion may result causing property damage, personal injury, or death.

- Do not store or use gasoline or other flammable vapors and liquids in the vicinity of this or any other appliance.
- WHAT TO DO IF YOU SMELL GAS
 - Do not try to light any appliance.
 - Do not touch any electrical switch; do not use any phone in your building.
 - Immediately call your gas supplier from a neighbor's phone. Follow the gas supplier's instructions.
 - If you cannot reach your gas supplier, call the fire department.
- Installation and service must be performed by a licensed professional.

Consumer Operation Guidelines for the Safe Operation of your Water Heater

FOR YOUR SAFETY READ BEFORE OPERATING





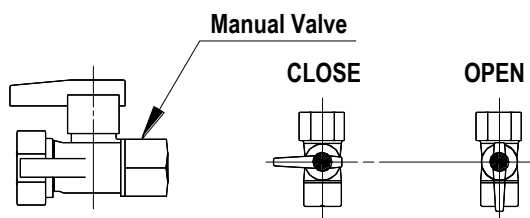
WARNING

If you do not follow these instructions exactly, a fire or explosion may result causing property damage, personal injury, or loss of life.


- A. This appliance does not have a pilot. It is equipped with an ignition device which automatically lights the burner. Do not try to light the burner by hand.
- B. BEFORE OPERATING smell all around the appliance area for gas. Be sure to smell next to the floor because some gas is heavier than air and will settle on the floor.
WHAT TO DO IF YOU SMELL GAS
 - Do not try to light any appliance.
 - Do not touch any electric switch; do not use any phone in your building.
 - Immediately call your gas supplier from a neighbor's phone. Follow the gas supplier's instructions.
- If you cannot reach your gas supplier, call the fire department.
- C. Use only your hand to push in or turn the gas control knob. Never use tools. If the knob will not push in or turn by hand, do not try to repair it, call a licensed professional. Force or attempted repair may result in a fire or explosion.
- D. Do not use this appliance if any part has been under water. Immediately call a licensed professional to inspect the appliance and to replace any part of the control system and any gas control which has been under water.

OPERATING INSTRUCTIONS

1. **STOP!** Read the safety information above.
2. Set the thermostat to lowest setting.
3. Turn off all electric power to the appliance using the ON/OFF button.
4. This appliance is equipped with an ignition device which automatically lights the burner. Do not try to light the burner by hand.
5. Locate the manual gas valve on the side of the heater. Turn the manual valve clockwise to the full OFF position. 
6. Wait five (5) minutes to clear out any gas. Then smell for gas, including near the floor. If you smell gas, STOP! Follow "B" in the safety information above. If you don't smell gas, go to the next step.
7. Turn the manual gas valve counterclockwise to the full ON position. 
8. Turn on all electric power to the appliance using the ON/OFF button.
9. Set the thermostat to desired setting.
10. Open a hot water tap. If the appliance will not operate, follow the instructions "To Turn Off Gas To Appliance" and call your licensed professional or gas supplier. See manual for additional information.



TO TURN OFF GAS TO APPLIANCE

1. Turn off all electric power to the appliance using the ON/OFF button.
2. Set the thermostat to lowest setting.
3. Locate the manual gas valve on the side of the heater. Turn the manual valve clockwise to the full OFF position. 

WARNING

- Before operating, smell all around the appliance area for gas. Be sure to smell next to the floor because some gas is heavier than air and will settle on the floor.
- Keep the area around the appliance clear and free from combustible materials, gasoline, and other flammable vapors and liquids.
- Always check the water temperature before entering a shower or bath.
- Do not use this appliance if any part has been under water. Immediately call a licensed professional to inspect the appliance and to replace any part of the control system and any gas control which has been under water.
- Should overheating occur or the gas supply fail to shut off, turn off the manual gas control valve to the appliance.
- Do not adjust the DIP switch unless specifically instructed to do so.
- Do not use an extension cord or an adapter plug with this appliance.
- Any alteration to the appliance or its controls can be dangerous and will void the warranty.
- If you install this water heater in an area that is known to have hard water or that causes scale build-up the water must be treated and/or the heat exchanger flushed regularly. Rinnai provides a “Scale Control System” as an accessory that offers superior lime scale prevention and corrosion control by feeding a blend of control compounds into the water supply. Damage and repair due to corrosive compounds in the air is not covered by warranty.
- Keep the air intake location free of chemicals, such as chlorine or bleach, that produce fumes. These fumes can damage components and reduce the life of your appliance. Damage and repair due to scale in the heat exchanger is not covered by warranty.

How to Set the Temperature

A maintenance display or status monitor is provided in the front panel to indicate operating status and error codes. This water heater requires a minimum flow rate to operate. This rate can be found on the specification page in this manual. In some cases when you are not getting hot water or if the water alternates between hot and cold, it is due to the water flow being below or close to the minimum flow rate. Increasing the flow rate should resolve these problems in these cases.

If you are experiencing issues with higher temperature settings, then reduce the temperature setting. Selecting a temperature closer to that which is actually used at the faucet will increase the amount of hot water being delivered to the faucet, due to less cold water mixing at the fixture.



Water temperatures over 125° F (52° C) can cause severe burns or scalding resulting in death.

Hot water can cause first degree burns with exposure for as little as:

3 seconds at 140° F (60° C)

20 seconds at 130° F (54° C)

8 minutes at 120° F (49° C)

Children, disabled, or elderly are at highest risk of being scalded.

Feel water before bathing or showering.

Temperature Options Without a Temperature Controller

The default temperature setting for this appliance installed without a temperature controller is 120° F (49° C). If desired, the temperature setting can be changed by adjustment of the dip switches:

	DIPSW1	
	SW5	SW6
120° F	OFF	OFF
125° F	ON	OFF
135° F	OFF	ON
140° F	ON	ON

Without a controller the status monitor (see page 56) will show the temperature as follows:

Fahrenheit °F	120	125	135	140
Celsius °C	49	52	57	60
Displayed As	1	2	3	4

How to use the Optional Temperature Controller

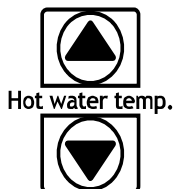
The units referenced in this manual do not include a temperature controller.

The MC-91-2 controller is the standard temperature controller.

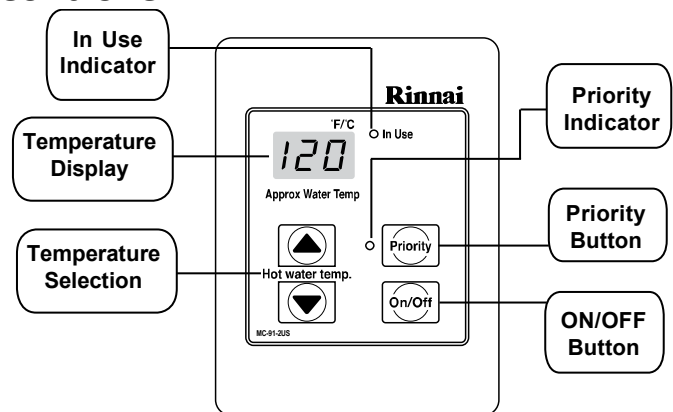
DO NOT repeatedly operate the water heater and then use a hot water tap while the controller is turned off. Operating the water heater in this way to alternately produce hot water may cause water to condense on the outside of internal parts and accumulate in the water heater cabinet.



1. If the water heater is off, press the Power button to turn on.
2. If the Priority light is off, then press the "Priority button" on the temperature controller. The orange Priority light will glow indicating that this controller is controlling the temperature and that the water heater is ready to supply hot water. (The priority can only be changed while no hot water is running.)
3. Press the up or down buttons to obtain the desired temperature setting.



All hot water sources are able to provide water at this temperature setting until it is changed again at this or another temperature controller.



Dimensions (inches): 3.5 W x 4.75 H x 0.75 D

NOTICE Check local codes for the maximum water temperature setting allowed when used in nursing homes, schools, day care centers, and all other public applications.

NOTICE If a newly installed unit with a controller has not been powered for at least 6 hours then the temperature will return to the default setting of 120° F (49° C) if power is interrupted.

NOTICE There may be a variation between the temperature displayed on the temperature controller and the temperature at the tap due to weather conditions or the length of pipe to the water heater.

Temperatures Available with a Controller

The water heater can deliver water at only one temperature setting at a time. The available temperatures are provided below. A temperature lower than 120° F (49° C) can be obtained at the tap by mixing with cold water.

To change the temperature scale from Celsius to Fahrenheit or vice versa, press and hold the “On/Off” button for 5 seconds while the water heater is OFF.

Temperature Settings Available					
Fahrenheit °F	120	125	130	135	140
Celsius °C	49	52	54	57	60

Setting Controller to Mute

On the MC-91-2 to eliminate the beeps when keys are pressed or to turn the beeps back on, press and hold both the up and down buttons until a beep is heard (approximately 5 seconds).

Locking the Controller

The MC-91-2 controller can be locked by pressing the Priority button and the up button together for 5 seconds. A beep will sound confirming that the controller is locked. The display will alternately show “LOC”, the temperature setting, and a diagnostic code if one has been activated. All of the controllers in the system are also locked.

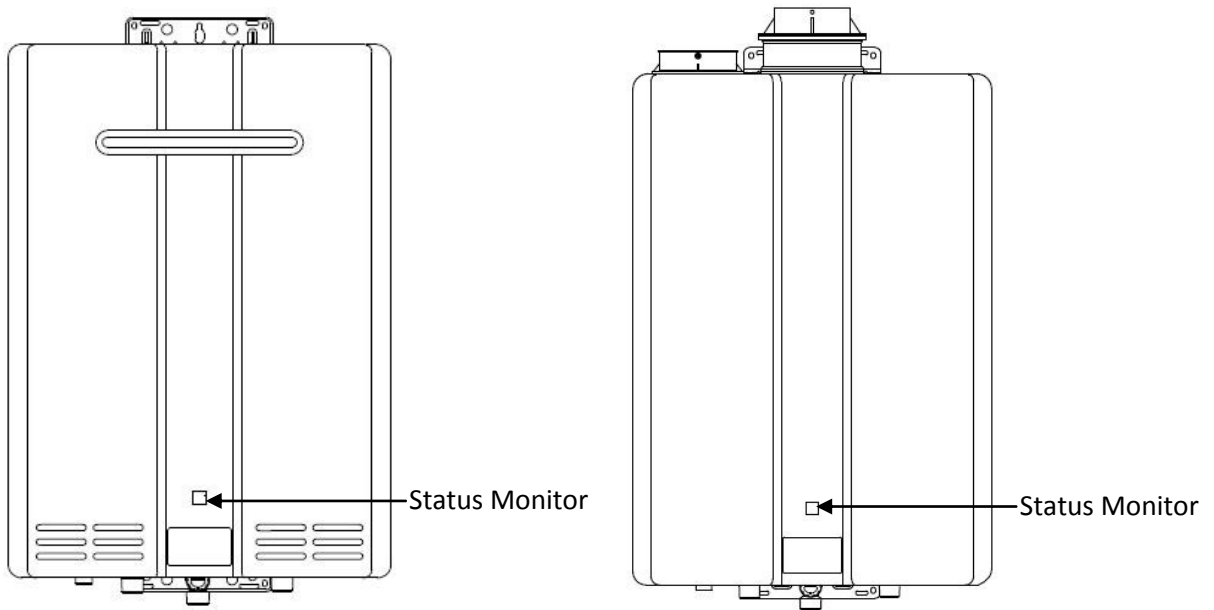
To unlock the controller press the Priority button and the up button together for 5 seconds.

Diagnostic Codes

This water heater is designed to display diagnostic codes. If there is a potential operation concern refer to the code and remedy on the next page.

Diagnostic Information (on status monitor)

--	Initial (When unit is connected to power).
(non-displayed)	Standby (power is supplied but there is no demand for hot water).
1,2,3 or 4	Hot water is being supplied without controller.
ON	Hot water is being supplied with controller
FL or FH	Stands for Forced Low and Forced High combustion. Only seen during the gas pressure setting procedure which is done when certain components are replaced.
Error code flashing	The error code will stop flashing after the problem is corrected and the water heater supplies hot water.



To Display Diagnostic Information (with controller)

To display the most recent diagnostic information code press and hold the “On/Off” button for 2 seconds on the MC-91-2 controller. While holding the “On/Off” button press the up button. The last 9 diagnostic codes will flash one after the other. To exit this mode press the “On/Off” and up button as before.

To enter or exit the maintenance monitor information mode, press and hold the down button for 2 seconds and without releasing it press the ON/OFF button.

To obtain the water flow rate: press the up or down buttons until “01” displays. The water flow rate will then appear. For example “58” means 5.8 gal/min.

To obtain the outgoing water temperature press the up or down buttons until “02” displays. The temperature will appear in degrees Fahrenheit.

No.	Data	Unit
01	Water flow rate	0.1 gal/min
02	Outgoing water temperature	Degrees Fahrenheit

Diagnostic Codes and Remedies



WARNING

Some of the checks below should be done by a licensed professional. Consumers should never attempt any action that they are not qualified to perform.

Code	Definition		Remedy
10	Air Supply or Exhaust Blockage		Check that nothing is blocking the flue inlet or exhaust. Check all vent components for proper connections.
		licensed professional only	Ensure approved venting materials are being used. Ensure vent length is within limits. Verify DIP switches are set properly. Check fan for blockage.
11	No Ignition (heater not turning on)		Check that the gas is turned on at the water heater, gas meter, or cylinder. If the system is propane, make sure that gas is in the tank. Ensure appliance is properly grounded.
		licensed professional only	Ensure gas type and pressure is correct. Ensure gas line, meter, and/or regulator is sized properly. Bleed all air from gas lines. Verify DIP switches are set properly. Ensure igniter is operational. Check igniter wiring harness for damage. Check gas solenoid valves for open or short circuits. Remove burner cover and ensure all burners are properly seated. Remove burner plate and inspect burner surface for condensation or debris. Check the ground wire for the PC board.
12	No Flame		Check that the gas is turned on at the water heater, gas meter, or cylinder. Check for obstructions in the flue outlet. If the system is propane, make sure that gas is in the tank.
		licensed professional only	Ensure gas line, meter, and/or regulator is sized properly. Ensure gas type and pressure is correct. Bleed all air from gas lines. Ensure proper venting material was installed. Ensure condensation collar was installed properly. Ensure vent length is within limits. Verify DIP switches are set properly. Check power supply for loose connections. Check power supply for proper voltage and voltage drops. Ensure flame rod wire is connected. Check flame rod for carbon build-up. Disconnect and reconnect all wiring harnesses on unit and PC board. Check for DC shorts at components. Check gas solenoid valves for open or short circuits. Remove burner plate and inspect burner surface for condensation or debris.
14	Thermal Fuse has activated		Check for restrictions in air flow around unit and vent terminal.
		licensed professional only	Ensure SW5 in DIPSW 2 is in the off position. Check gas type of unit and ensure it matches gas type being used. Check for low water flow in a circulating system causing short-cycling. Ensure dip switches are set to the proper position. Check for foreign materials in combustion chamber and/or exhaust piping. Check heat exchanger for cracks and/or separations. Check heat exchanger surface for hot spots which indicate blockage due to scale build-up. Refer to instructions in manual for flushing heat exchanger. Hard water must be treated to prevent scale build up or damage to the heat exchanger. Measure resistance of safety circuit. Ensure high fire and low fire manifold pressure is correct. Check for improper conversion of product.
16	Over Temperature Warning (safety shutdown because unit is too hot)		Check for restrictions in air flow around unit and vent terminal.
		licensed professional only	Check for low water flow in a circulating system causing short-cycling. Check for foreign materials in combustion chamber and/or exhaust piping. Check for blockage in the heat exchanger.

Code	Definition		Remedy
19	Electrical Grounding	licensed professional only	Check all components for electrical short.
25	Condensate Trap is full		Check condensate trap and drain line for blockage.
32	Outgoing Water Temperature Sensor	licensed professional only	Replace condensate trap.
33	Heat Exchanger Outgoing Temperature Sensor		Check sensor wiring for damage. Measure resistance of sensor. Clean sensor of scale build-up. Replace sensor.
38	Exhaust Gas Temperature Sensor		
41	Outside Temperature Sensor		
52	Modulating Solenoid Valve Signal		Check modulating gas solenoid valve wiring harness for loose or damaged terminals. Measure resistance of valve coil.
54	High Exhaust Gas Temperature		Check heat exchanger surface for hot spots which indicate blockage due to scale build-up. Refer to heat exchanger flushing instructions within this manual. Hard water must be treated to prevent scale build up or damage to the heat exchanger. Contact a licensed professional.
61	Combustion Fan		Ensure fan will turn freely. Check wiring harness to motor for damaged and/or loose connections. Measure resistance of motor winding.
65	Water Flow Control		The water flow control valve has failed to close during the bath fill function. Immediately turn off the water and discontinue the bath fill function. Contact a licensed professional to service the appliance.
70	PC Board		Check PC board DIP switches for correct position. Check the connection harness at the connection on the PC board. Replace PC board.
71	Solenoid Valve Circuit		Replace the PC Board.
72	Flame Sensing Device		Replace the PC Board.
LC # (LC0, LC1, LC2,...)	Scale Build-up in Heat Exchanger (when checking maintenance code history, "00" is substituted for "LC")		LC (only when a controller is installed , the monitor shows LC0~LC9) indicates that there is scale build up in the heat exchanger and that the heat exchanger needs to be flushed to prevent damage. Refer to the flushing instructions in the manual. Hard water must be treated to prevent scale build up or damage to the heat exchanger. To operate the water heater temporarily until the heat exchanger can be flushed, push the On/ Off button (when a controller is installed) on the temperature controller 5 times. Repeated LC codes will eventually lockout the water heater. Please call Rinnai technical department.
FF	Maintenance has been performed (with controller only)		Indicates a licensed professional performed maintenance or corrected an issue.
No code	Nothing happens when water flow is activated.	licensed professional only	Clean inlet water supply filter. On new installations ensure hot and cold water lines are not reversed. Verify you have at least the minimum flow rate required to fire unit. Check for cold to hot cross over. Isolate circulating system if present. Turn off cold water to the unit, open pressure relief valve; if water continues to flow, there is bleed over in your plumbing. Verify turbine spins freely. Measure the resistance of the water flow control sensor. If the display is blank and clicking is coming from the unit, disconnect the water flow servo motor (GY, BR, O, W, P, BL, R). If the display comes on replace the water flow servo motor.

Required Maintenance

The appliance must be inspected annually by a licensed professional. Repairs and maintenance shall be performed by a licensed professional. The licensed professional must verify proper operation after servicing.

WARNING

To protect yourself from harm, before performing maintenance:

- Turn off the electrical power supply by unplugging the power cord or by turning off the electricity at the circuit breaker. (The temperature controller does not control the electrical power.)
- Turn off the gas at the manual gas valve, usually located immediately below the water heater.
- Turn off the incoming water supply. This can be done at the isolation valve immediately below the water heater or by turning off the water supply to the building.

WARNING

Keep the appliance area clear and free from combustible materials, gasoline, and other flammable vapors and liquids.

The following maintenance items are required for the proper operation of your water heater.

The appliance must be inspected annually by a licensed professional. Repairs and maintenance shall be performed by a licensed professional. The licensed professional must verify proper operation after servicing.

Cleaning

It is imperative that control compartments, burners, and circulating air passageways of the appliance be kept clean.

Clean as follows:

1. Turn off and disconnect electrical power. Allow to cool.
2. Close the water shut off valves. Remove and clean the water inlet filter.
3. Remove the front panel by removing 4 screws.
4. Use pressurized air to remove dust from the main burner, heat exchanger, and fan blades. Do not use a wet cloth or spray cleaners on the burner. Do not use volatile substances such as benzene and thinners. They may ignite or fade the paint.
5. Use soft dry cloth to wipe cabinet.

Vent System

The vent system should be inspected at least annually for blockages or damage. If the vent is blocked contact a licensed professional.

Motors

Motors are permanently lubricated and do not need periodic lubrication. However you must keep the fan and motor free of dust and dirt by cleaning annually.

Temperature Controller

Use a soft damp cloth to clean the temperature controller. Do not use solvents.

Lime / Scale Build-up

If you receive diagnostic code "LC#" (LC1, LC2,...), refer to the procedure, *Flushing the Heat Exchanger*. Refer to the section on *Water Quality* to see if your water needs to be treated or conditioned. (When checking maintenance code history with temperature controller, "00" is substituted for "LC#".)

The water must be potable, free of corrosive chemicals, sand, dirt, or other contaminates. It is up to the installer to ensure the water does not contain corrosive chemicals, or elements that can affect or damage the heat exchanger. Water that contains chemicals exceeding the levels below affect and damage the heat exchanger. Replacement of the heat exchanger due to water quality damage is not covered by the warranty.

Snow Accumulation

Keep the area around flue terminal free of snow and ice. The appliance will not function properly if the intake air or exhaust is impeded (blocked or partially blocked) by obstructions.

Coastal Installations

Installations located in or near coastal areas may require additional maintenance due to corrosive airborne ocean salt.

Clean the water filter

Clean the inlet water filter by closing the cold and hot water inlet isolation (shut-off) valves. Put a bucket

under the filter at the bottom of the water heater to catch any water that is contained inside the unit. Unscrew the water filter. Rinse the filter to remove any debris. Install the filter and open the isolation valves.

WARNING

Testing the pressure relief valve should only be performed by a licensed professional. Water discharged from the pressure relief valve could cause severe burns instantly or death from scalds.

Pressure Relief Valve (PRV):

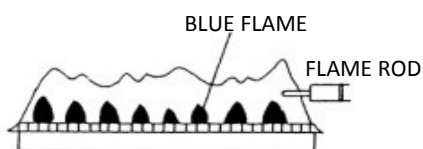
Operate the PRV manually once a year. In doing so, it will be necessary to take precautions with regard to the discharge of potentially scalding hot water under pressure. Ensure discharge has a safe place to flow. Contact with your body or other property may cause damage or harm.

Visual Inspection of Flame

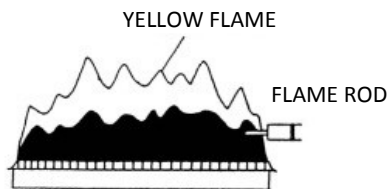
Verify proper operation after servicing. The burner must flame evenly over the entire surface when operating correctly. The flame must burn with a clear, blue, stable flame. See the parts breakdown of the burner for the location of the view ports.

The flame pattern should be as shown in the figures below:

SATISFACTORY FRONT VIEW



UNSATISFACTORY FRONT VIEW



Freeze Protection

Make sure in case of freezing weather that the water heater and its water lines are adequately protected to prevent freezing. Damage due to freezing is not

covered by the warranty. Refer to the section on Freeze Protection. The unit may be drained manually. However, it is highly recommended that:

- drain down solenoid valves be purchased and installed that will automatically drain the unit if power is lost. These are available in a kit, 104000059. (The condensate trap drain plug and water drain plug are not affected by the auto drain down solenoid valves and will have to be manually opened.)
- a surge protector with terminals be purchased and installed which allows the solenoid valves to operate if the unit is disabled due to a diagnostic code. This is available as 104000057.

Winterization

These recommendations are intended to suggest practices that are effective for winterizing the water heater. They should be used as a guide only. No liability is assumed for any issues resulting from the use of this information.

GAS

Shut off the gas to the water heater. It is generally preferable to shut off the gas service to the entire location if gas is not going to be used.

WATER

Shut off the cold water supply to the water heater. It is generally preferable to shut off the water to the entire location if water is not going to be used.

Drain the water heater by opening the drain valves on the cold water line and hot water line.

Open several hot water taps and remove the filter assembly at the water inlet in order to allow room for expansion in case there is water in the lines that freeze.

ELECTRIC

Disconnect the power supply by either unplugging the electrical cord or by turning off the circuit breaker to the water heater to prevent potential damage from irregular power surges or interruptions.

VENT TERMINATION

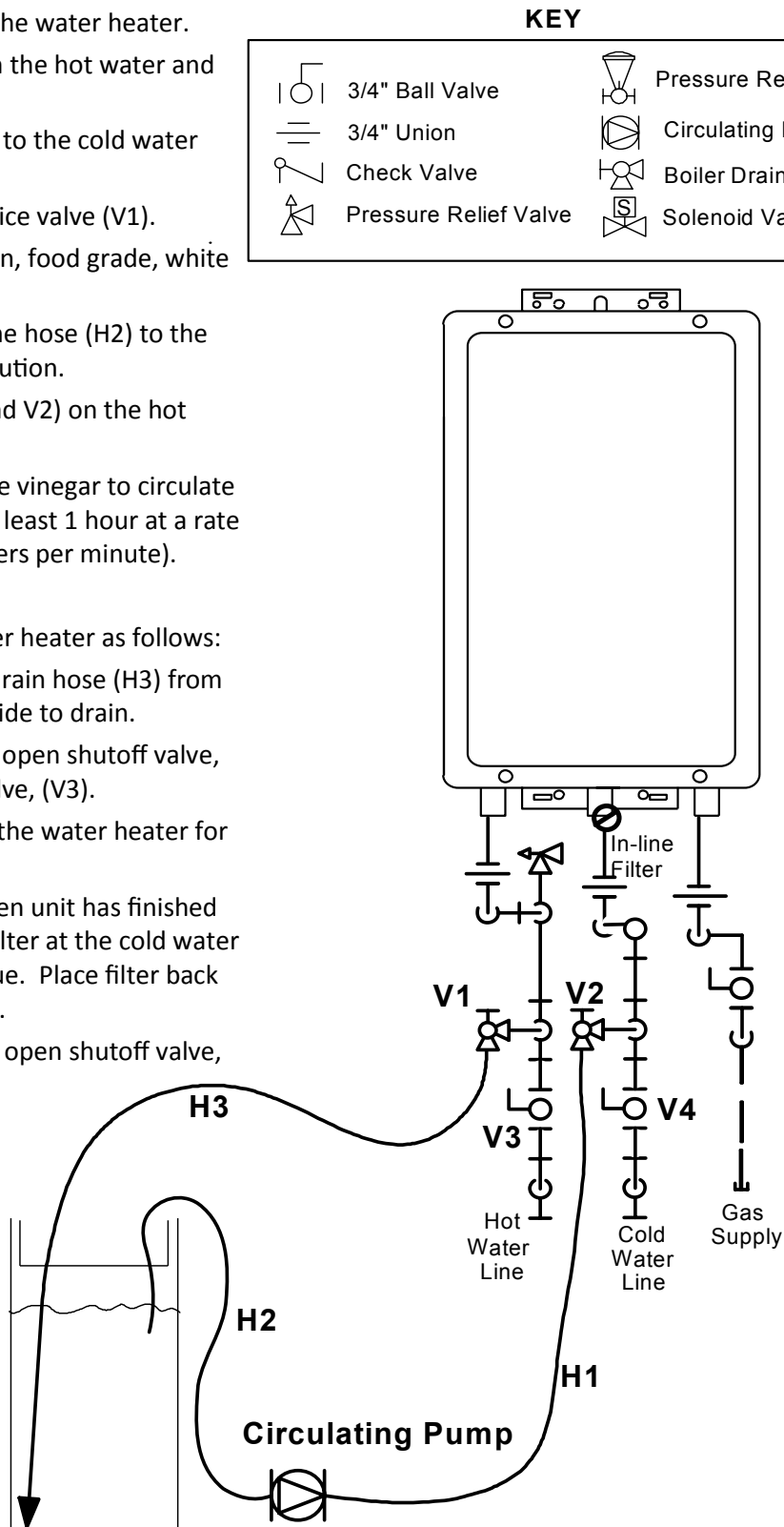
Place a cover over the vent termination (intake and exhaust) if it can be safely accessed. The cover should be easy to apply and remove. This will prevent debris, leaves, and small animals from entering the venting and water heater which could cause air flow issues upon return to service.

Flushing the Heat Exchanger

An LC0~LC9 or "00" or 58 diagnostic code indicates the unit is beginning to lime up and must be flushed. Failure to flush the appliance will cause damage to the heat exchanger. Damage caused by lime build-up is not covered by the unit's warranty. Rinnai strongly recommends installation of isolation valves to allow for flushing of the heat exchanger.

1. Disconnect electrical power to the water heater.
2. Close the shutoff valves on both the hot water and cold water lines (V3 and V4).
3. Connect pump outlet hose (H1) to the cold water line at service valve (V2).
4. Connect drain hose (H3) to service valve (V1).
5. Pour 4 gallons of undiluted virgin, food grade, white vinegar into pail.
6. Place the drain hose (H3) and the hose (H2) to the pump inlet into the cleaning solution.
7. Open both service valves (V1 and V2) on the hot water and cold water lines.
8. Operate the pump and allow the vinegar to circulate through the water heater for at least 1 hour at a rate of 4 gallons per minute (15.1 liters per minute).
9. Turn off the pump.
10. Rinse the vinegar from the water heater as follows:
 - a. Remove the free end of the drain hose (H3) from the pail. Place in sink or outside to drain.
 - b. Close service valve, (V2), and open shutoff valve, (V4). Do not open shutoff valve, (V3).
 - c. Allow water to flow through the water heater for 5 minutes.
 - d. Close shutoff valve (V4). When unit has finished draining remove the in-line filter at the cold water inlet and clean out any residue. Place filter back into unit and open valve (V4).
 - e. Close service valve, (V1), and open shutoff valve, (V3).
11. Disconnect all hoses
12. Restore electrical power to the water heater.

Following flush procedure call technical assistance (1-800-621-9419) for PCB reset information.



Manual Draining of the Water Heater



WARNING

To avoid burns, wait until the equipment cools down before draining the water. The water in the appliance will remain hot after it is turned off.

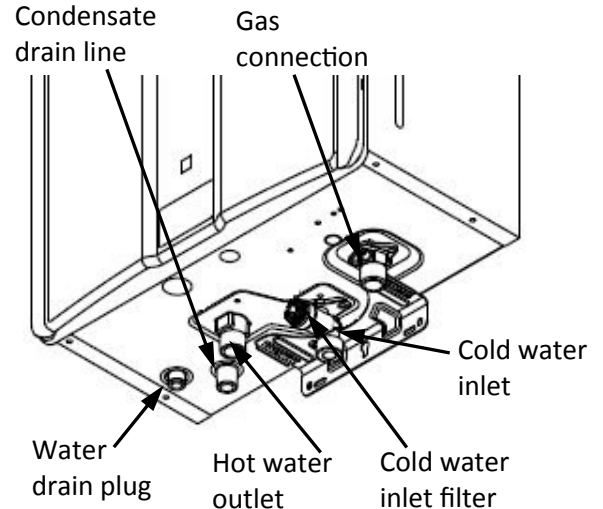
If the water heater is not going to be used during a period of possible freezing weather, it is recommended that the water inside the water heater be drained.

To manually drain the water:

1. Shut off cold water supply and gas supply.
2. Turn off the temperature controller (if it is installed).
3. Disconnect the power to the water heater.
4. Place a container to catch the water. Open hot water tap or open hot water drain plug at the hot water outlet.
5. Remove water filter to drain the cold water.
6. Unscrew the water drain plug from the condensate drain line next to the hot water outlet.
7. Remove the condensate trap drain plug and allow to drain.

To resume normal operation:

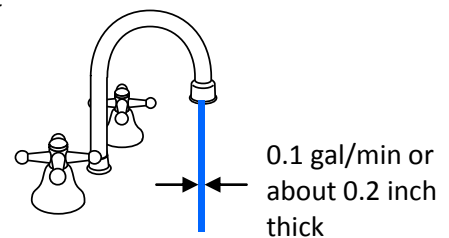
1. Confirm that all water drain plugs are removed, that the gas supply is turned off, and that all taps are closed.
2. Insert the condensate trap drain plug.
3. Screw in the water drain plugs. (Avoid over tightening)
4. Screw in the water filter in the cold water inlet.
5. Open the cold water supply.
6. Open a tap and confirm that water flows, and then close.
7. Turn on the power.
8. After confirming that the temperature controller is off (if it is installed), turn on the gas supply.
9. Turn on the temperature controller (if it is installed), .



Running a low volume of water through the water heater to prevent freezing

If the temperature exceeds the ability of the water heater to freeze protect itself, or if power is lost, the following steps may prevent the water heater and external piping from freezing. (Units connected with EZ Connect (2 unit link) should be drained to prevent freezing if not in use.)

1. Turn the water heater off.
2. Close the gas supply valve.
3. Turn on a hot water tap to flow water about 0.1 gal/min or where the stream is about 0.2 inches thick.



When the water heater or external piping has frozen

1. Do not operate the water heater if it or the external piping is frozen.
2. Close the gas and water valves and turn off the power.
3. Wait until the water thaws. Check by opening the water supply valve.
4. Check the water heater and the piping for leaks.

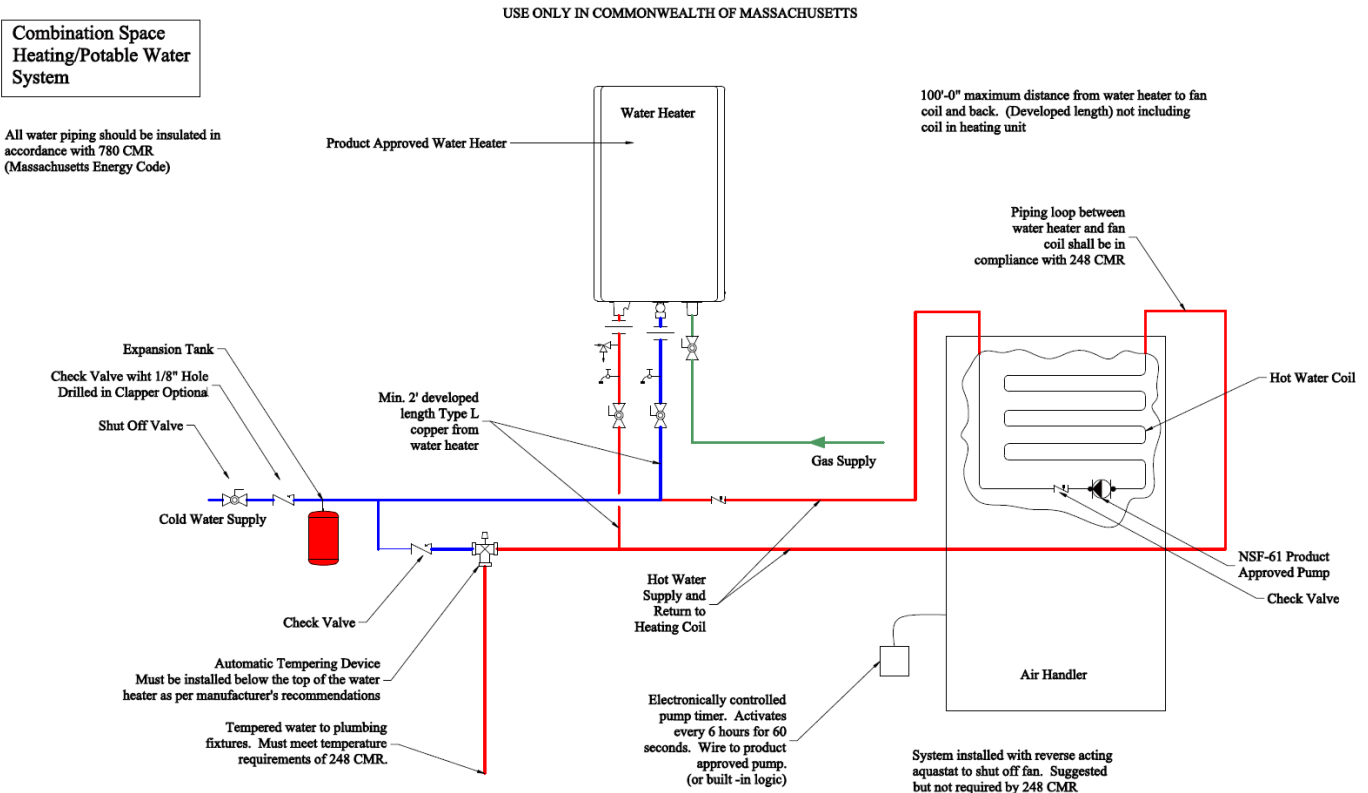
State Regulations

NOTICE BEFORE INSTALLATION This direct-vent appliance must be installed by a licensed professional. If you are not properly trained, you must not install this unit.

IMPORTANT: In the State of Massachusetts (248 CMR 4.00 & 5.00)

For all side wall horizontally vented gas fueled equipment installed in every dwelling, building or structure used in whole or in part for residential purposes, including those owned or operated by the Commonwealth and where the side wall exhaust vent termination is less than seven (7) feet above finished grade in the area of the venting, including but not limited to decks and porches, the following requirements shall be satisfied:

1. **INSTALLATION OF CARBON MONOXIDE DETECTORS.** At the time of installation of the side wall horizontal vented gas fueled equipment, the installing plumber or gasfitter shall observe that a hard wired carbon monoxide detector with an alarm and battery back-up is installed on the floor level where the gas equipment is to be installed. In addition, the installing plumber or gasfitter shall observe that a battery operated or hard wired carbon monoxide detector with an alarm is installed on each additional level of the dwelling, building or structure served by the side wall horizontal vented gas fueled equipment. It shall be the responsibility of the property owner to secure the services of qualified licensed professionals for the installation of hard wired carbon monoxide detectors
 - a. In the event that the side wall horizontally vented gas fueled equipment is installed in a crawl space or an attic, the hard wired carbon monoxide detector with alarm and battery back-up may be installed on the next adjacent floor level.
 - b. In the event that the requirements of this subdivision can not be met at the time of completion of installation, the owner shall have a period of thirty (30) days to comply with the above requirements; provided, however, that during said thirty (30) day period, a battery operated carbon monoxide detector with an alarm shall be installed.
2. **APPROVED CARBON MONOXIDE DETECTORS.** Each carbon monoxide detector as required in accordance with the above provisions shall comply with NFPA 720 and be ANSI/UL 2034 listed and IAS certified.
3. **SIGNAGE.** A metal or plastic identification plate shall be permanently mounted to the exterior of the building at a minimum height of eight (8) feet above grade directly in line with the exhaust vent terminal for the horizontally vented gas fueled heating appliance or equipment. The sign shall read, in print size no less than one-half (1/2) inch in size, "**GAS VENT DIRECTLY BELOW. KEEP CLEAR OF ALL OBSTRUCTIONS**".
4. **INSPECTION.** The state or local gas inspector of the side wall horizontally vented gas fueled equipment shall not approve the installation unless, upon inspection, the inspector observes carbon monoxide detectors and signage installed in accordance with the provisions of 248 CMR 5.08(2)(a)1 through 4.

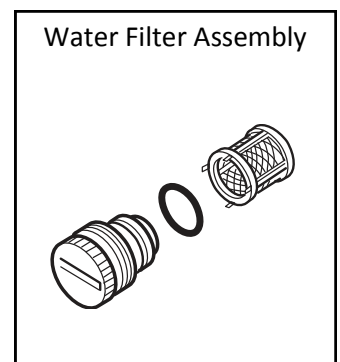
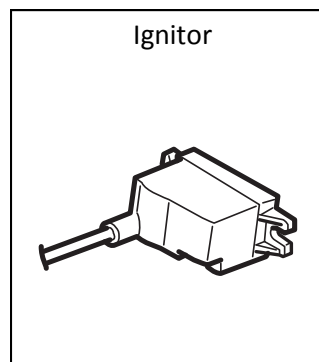
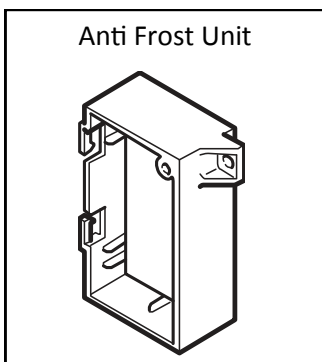
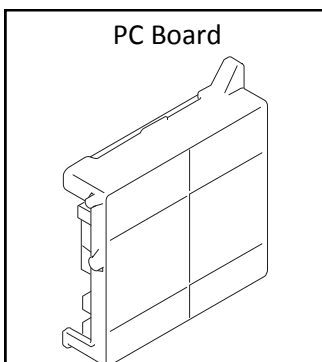
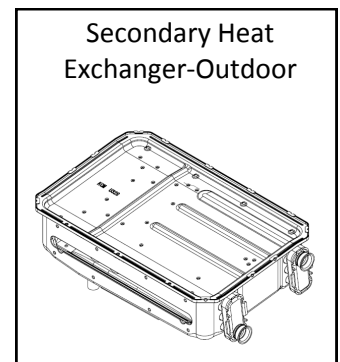
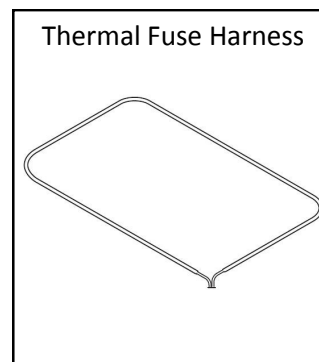
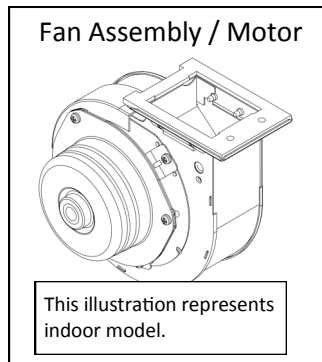
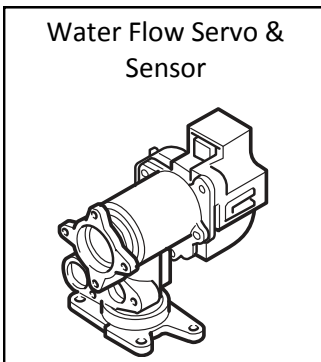
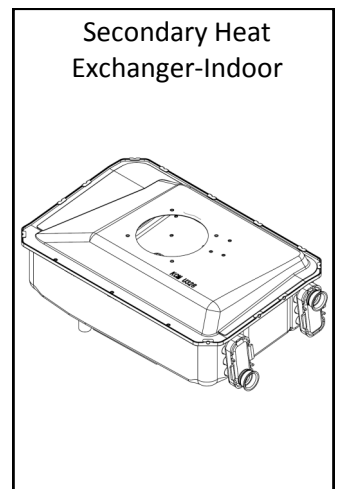
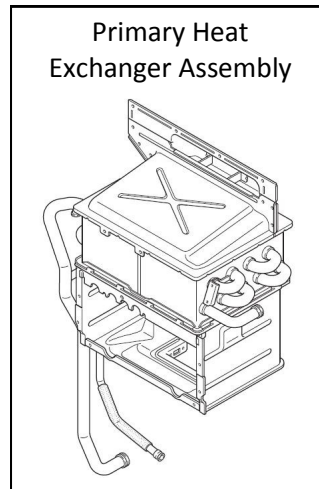
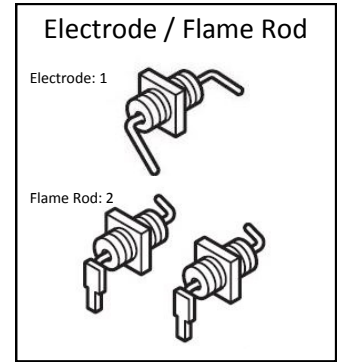
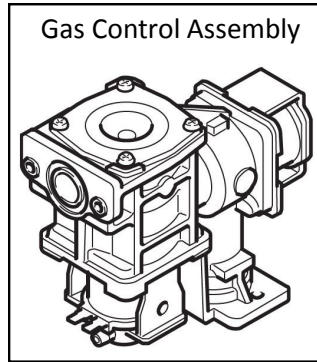


Replacement Parts

The Technical Sheet that is located inside the front cover of the water heater contains a complete illustrated parts list.

(Images are for illustration purposes only, actual parts may be differ in appearance.)

	Tech Sheet Item No.
Gas Control Assembly	100
Electrode / Flame Rod Kit	116, 117
Fan Assembly / Motor	137
Primary Heat Exchanger Assy	138
Secondary Heat Exchanger-Indoor	160
Secondary Heat Exchanger-Outdoor	161
Water Flow Servo & Sensor	401
Water Filter Assy	412
PC Board	700
Anti Frost Unit	701
Ignitor	706
Thermal Fuse Harness	723



Limited Warranty for RUCS65i, RUS65e, RUCS75i, & RUS75e Value Series Water Heater

What is covered?

The Rinnai Standard Limited Warranty covers any defects in materials or workmanship when the product is installed and operated according to Rinnai written installation instructions, subject to the terms within this Limited Warranty document. This Limited Warranty applies only to products that are installed correctly in the United States and Canada. Improper installation may void this Limited Warranty. In order for this warranty to apply, it is required that you use a licensed professional who has attended a Rinnai installation training class before installing this water heater. This warranty coverage applies to residential installations only, not for commercial applications, (any installation other than a single family dwelling). This Limited Warranty coverage as set out in the table below extends to the original purchaser and subsequent owners, but only while the product remains at the site of the original installation. This Limited Warranty only extends to the first / original installation of the product and terminates if the product is moved or reinstalled at a new location.

How long does coverage last?

Item	Period of Coverage (from date of purchase)	
	Residential	If used for both residential water heating and space heating purposes
Heat Exchanger	12 years [1][2]	10 years [1]
All Other Parts and Components	5 years [1]	5 years [1]
Reasonable Labor	1 year	1 year

- [1] Period of coverage is reduced to 3 years from date of purchase when used as a recirculating water heater within a hot water recirculation loop, where the water heater is in series with a recirculation system and all recirculating water flows through the water heater, and where an aquastat / thermostat, timer, or an on-demand recirculation system is not incorporated.
- [2] The Rinnai Limited Warranty for a heat exchanger used in a recirculation system which is controlled through an aquastat / thermostat, or timer, or an on-demand system is 12 years for residential applications.

What will Rinnai do?

Rinnai will repair or replace the covered product or any part or component that is defective in materials or workmanship as set forth in the above table. Rinnai will pay reasonable labor charges associated with the repair or replacement of any such part or component during the term of the labor warranty period. All repair parts must be genuine Rinnai parts. All repairs or replacements must be performed by a licensed professional that is properly trained, state qualified or licensed to do the type of repair.

Replacement of the product may be authorized by Rinnai only at its sole discretion. Rinnai does not authorize any person or company to assume for it any obligation or liability in connection with the replacement of the product. If Rinnai determines that repair of a product is not possible, Rinnai may replace the product with a comparable product at Rinnai's sole discretion. The warranty claim for product parts and labor may be denied if a component or product returned to Rinnai is found to be free of defects in material or workmanship; damaged by improper installation, use or operation; or damaged during return shipping .

How do I get service?

You must contact a licensed professional for the repair of a product under this Limited Warranty. For the name of a licensed professional please contact your place of purchase, visit the Rinnai website (www.rinnai.us), call Rinnai at 1-800-621-9419 or write to Rinnai at 103 International Drive, Peachtree City, Georgia 30269.

Proof of purchase is required to obtain warranty service. You may show proof of purchase with a dated sales receipt, or by *registering within 30 days of purchasing the product. To register your tankless water heater, please visit www.rinnai.us*. For those without internet access, please call 1-866-RINNAI1 (746-6241).

Receipt of Registration by Rinnai will constitute proof-of-purchase for this product. Registration of product installed in new home construction may be verified with a copy of the closing papers provided by the initial home buyer. However, Registration is not necessary in order to validate this Limited Warranty.

What is not covered?

This Limited Warranty does not cover any failures or operating difficulties due to the following:

- accident, abuse, or misuse
- alteration of the product or any component part
- misapplication of this product
- improper installation (such as but not limited to)
 - ◇ product being installed in a corrosive environment
 - ◇ condensate damage
 - ◇ improper venting
 - ◇ incorrect gas type
 - ◇ incorrect gas or water pressure
 - ◇ absence of a drain pan under the appliance
- Improper maintenance (such as but not limited to scale build-up, freeze damage, or vent blockage)
- incorrect sizing
- any other cause not due to defects in materials or workmanship
- problems or damage due to fires, flooding, electrical surges, freezing or any acts of God.
- any damage caused by poor water quality
- operating the water heater with anything other than potable water at all times
- force majeure

There is no warranty coverage on product installed in a closed loop application, commonly associated with space heating only applications.

This Limited Warranty does not apply to any product whose serial number or manufacture date has been defaced.

This Limited Warranty does not cover any product used in an application that uses chemically treated water such as a pool or spa heater.

Limitation on warranties

No one is authorized to make any other warranties on behalf of Rinnai America Corporation. Except as expressly provided herein, there are no other warranties, expressed or implied, including, but not limited to warranties of merchantability or fitness for a particular purpose, which extend beyond the description of the warranty herein.

Any implied warranties of merchantability and fitness arising under state law are limited in duration to the period of coverage provided by this Limited Warranty, unless the period provided by state law is less. Some states do not allow limitations on how long an implied Limited Warranty lasts, so the above limitation may not apply to you.

Rinnai shall not be liable for indirect, incidental, special, consequential or other similar damages that may arise, including lost profits, damage to person or property, loss of use, inconvenience, or liability arising from improper installation, service or use. Some states do not allow the exclusion or limitation of incidental or consequential damages, so the above limitation may not apply to you.

This Limited Warranty gives you specific legal rights, and you may also have other rights which vary from state to state.

www.rinnai.us/warranty

POUR DES APPLICATIONS EN INTÉRIEUR UNIQUEMENT

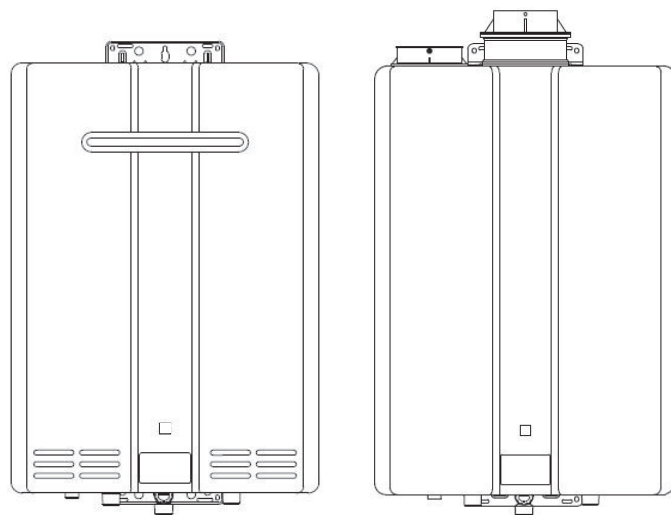
RUCS65i REU-KCM2025FFU-US

RUCS75i REU-KCM2528FFU-US

POUR DES APPLICATIONS EN EXTÉRIEUR UNIQUEMENT

RUS65e REU-KCM2025W-US

RUS75e REU-KCM2528W-US



ANSI Z21.10.3 • CSA 4.3

LISEZ SOIGNEUSEMENT TOUTES CES INSTRUCTIONS AVANT D'INSTALLER CE CHAUFFE-EAU.

Ce manuel fournit des informations sur l'installation, l'utilisation et l'entretien du chauffe-eau. Pour un bon fonctionnement et la sécurité, il est important de suivre ces instructions et de respecter les précautions de sécurité.

Un professionnel agréé doit installer le chauffe-eau en suivant exactement les instructions de ce manuel.

Le consommateur doit lire le manuel en entier pour faire fonctionner correctement le chauffe-eau et accomplir son entretien régulier.

AVERTISSEMENT

Si les informations de ces instructions ne sont pas suivies exactement, il peut en résulter un départ d'incendie ou une explosion, causant des dégâts matériels et des blessures pouvant être mortelles.

- N'entreposez pas ou n'utilisez pas d'essence ou d'autres vapeurs ou liquides inflammables à proximité de cet appareil ou de n'importe quel autre.
- QUE FAIRE SI VOUS SENTEZ LE GAZ
 - N'essayez pas d'allumer un appareil.
 - Ne touchez pas à aucun interrupteur électrique. N'utilisez aucun téléphone dans votre bâtiment.
 - Appelez immédiatement votre fournisseur de gaz depuis un téléphone du voisinage. Suivez les instructions qu'il vous donnera.
 - Si vous ne pouvez pas joindre votre fournisseur de gaz, appelez les pompiers.
- Installation et interventions de service doivent être effectuées par un professionnel agréé.

Table des matières

Table des matières.....	68	Ajustement de longueur de ventilation (modèles d'intérieur uniquement).....	109
Attitudes et pratiques de sécurité pour consommateur et installateur.....	69	Liste de contrôle pour gaz et électricité.....	109
Instructions d'installation (pour professionnel agréé)	70	Installation de contrôleur de température Optionnel	110
Préparation pour l'installation	71	Liste de contrôle finale.....	112
Détermination de l'emplacement de l'installation	72	Données techniques	113
Protection contre le gel	76	Spécifications	113
Liste de contrôle pour choisir l'emplacement de l'installation	77	Dimensions	114
Montage mural	77	Courbes de chute de pression et de débit d'eau .	115
Dépose du panneau avant.....	77	Diagramme en escalier	116
Installation de ventilation (modèles d'intérieur uniquement)	78	Instructions d'utilisation.....	117
Détermination de configuration de ventilation.....	79	Consignes à l'opérateur pour un fonctionnement sûr de son chauffe-eau.....	118
Installation de ventilation à tuyau double en PVC/CPVC.....	86	Fixation de la température.....	119
Condensats	103	Options de température sans contrôleur de température	120
Liste de contrôle pour ventilation et condensats (modèles d'intérieur uniquement)	103	Codes de diagnostic	122
Installation de la plomberie	104	Entretien nécessaire.....	125
Liste de contrôle pour la plomberie	107	Protection contre le gel et préparation pour l'hiver	126
Installation de l'alimentation en gaz	107	Rinçage de l'échangeur thermique	127
Raccordement de l'électricité.....	109	Vidange manuelle du chauffe-eau	128
Ajustement pour installations en haute altitude.....	109	Pièces de rechange.....	129
		Garantie.....	130

AVIS : Rinnai partage parfois des informations de contact de clients avec des entreprises qu'il estime pouvoir fournir des produits ou services qui peuvent vous être utiles. En communiquant ces informations, vous donnez votre accord pour que nous communiquions vos informations de contact dans ce but. Si vous préférez que vos informations ne soient pas partagées avec ces entreprises, veuillez contacter notre service à la clientèle et demander à ce que cela ne se fasse pas pour vous. Nous continuerons cependant dans ce cas à vous contacter nous-mêmes avec des informations relatives au(x) produit(s) que vous avez enregistré(s) et/ou sur votre compte chez nous.

Si vous avez des questions, ou pensez que ce manuel est incomplet, contactez Rinnai au 1-800-621-9419.

Importantes informations de sécurité

Définitions de sécurité



Ceci est un symbole d'alerte. Il vous prévient de dangers potentiels qui pourraient causer blessures ou mort pour vous et les autres.



Indique une situation dangereuse imminente qui, si elle n'est pas évitée, pourrait entraîner une blessure grave voire mortelle.



Indique une situation dangereuse potentielle qui, si elle n'est pas évitée, pourrait entraîner une blessure de gravité faible à moyenne.



Indique une situation dangereuse potentielle qui, si elle n'est pas évitée, pourrait entraîner une blessure de gravité faible à moyenne. Ce symbole peut aussi s'utiliser pour vous mettre en garde contre des pratiques dangereuses.

Attitudes et pratiques de sécurité pour consommateur et installateur



AVERTISSEMENT

- Avant la mise en œuvre, reniflez tout autour de la zone de l'appareil pour détecter une odeur de gaz. Ne manquez pas de chercher près du plancher car certains gaz sont plus lourds que l'air et s'accumulent au sol.
- Gardez la zone autour de l'appareil dégagée et exempte de matières combustibles, d'essence et d'autres vapeurs ou liquides inflammables.
- La construction combustible concerne les closions adjacentes et le plafond, à ne pas confondre avec les produits et matières combustibles ou inflammables. Ces derniers ne doivent jamais être entreposés à proximité de cet appareil au gaz ou de tout autre du même type.
- Contrôlez toujours la température de l'eau avant de prendre un bain ou une douche.
- Pour vous protéger de toute atteinte, avant d'effectuer une intervention d'entretien :
 - ◇ Coupez l'alimentation électrique en débranchant la fiche du cordon secteur ou en coupant le secteur au disjoncteur du circuit. (Le contrôleur de température ne commande pas l'alimentation électrique).
 - ◇ Coupez l'arrivée du gaz à la vanne manuelle, en général elle est placée immédiatement sous le chauffe-eau.
 - ◇ Coupez l'arrivée d'alimentation en eau. Cela peut se faire à la vanne d'isolement immédiatement sous le chauffe-eau, ou en coupant la distribution d'eau du bâtiment.
- N'utilisez que votre main pour appuyer sur le bouton de commande de gaz ou l'enfoncer. N'utilisez jamais d'outils. Si la commande ne se tourne pas ou ne s'enfonce pas à la main, n'essayez pas de la réparer vous-même, mais appelez un professionnel agréé. Le fait de forcer ou de tenter une réparation peut provoquer un départ d'incendie ou une explosion.
- N'utilisez pas cet appareil si une partie quelconque a été immergée dans de l'eau. Appelez immédiatement un professionnel agréé pour inspecter l'appareil et remplacer toute pièce du système de contrôle et toute commande de gaz qui aurait séjourné sous l'eau.
- N'utilisez pas de matériel de substitution. N'utilisez que des pièces certifiées pour aller avec l'appareil.
- En cas de surchauffe, ou si il est impossible de couper l'alimentation en gaz, coupez au niveau de la vanne manuelle de gaz en amont de l'appareil.
- Ne modifiez pas la position des micro-commutateurs DIP sauf si cela vous a été demandé expressément.
- N'utilisez pas de cordon rallonge ni d'adaptateur de prise avec cet appareil.
- Toute altération de l'appareil ou de ses commandes peut être dangereuse et annulerait sa garantie.
- Pour un fonctionnement sûr de cet appareil, il faut procurer une ventilation adéquate.



ATTENTION

- **RISQUE DE BRÛLURE.** Des sorties très chaudes d'évacuation et ventilation peuvent causer de sérieuses brûlures. Restez à l'écart du chauffe-eau en fonctionnement. Maintenez les petits enfants et les animaux à distance de l'appareil.
- Les tuyaux de sortie d'eau chaude quittant l'appareil peuvent être chauds au toucher. Dans des applications résidentielles, il faut appliquer une isolation des tuyaux d'eau chaude en-dessous de 36" (91 cm) du fait d'un risque de brûlure des petits enfants.



AVERTISSEMENT

La loi de Californie exige que cet avis soit fourni :

Proposition 65 de la Californie : Ce produit contient des substances chimiques reconnues par l'état de Californie comme causant des cancers, des anomalies congénitales, ou d'autres dangers pour la reproduction.

Instructions d'installation

(pour professionnel agréé)

Qualifications de l'installateur

C'est un installateur professionnel agréé qui doit installer l'appareil, l'inspecter, et tester des fuites éventuelles avant son utilisation. La garantie pourrait être annulée du fait d'une installation incorrecte.

L'installateur doit avoir des compétences dans ces domaines :

- Calibrage pour le gaz
- Raccordement des conduites de gaz et d'eau, des vannes et de l'électricité.
- Connaissance des normes applicables (nationales, provinciales et locales)
- Installation de ventilation au travers de mur ou de toit
- Formation en installation de chauffe-eau sans réservoir (Du perfectionnement est accessible en ligne sur le site www.trainingevents.rinnai.us).

Type d'installation

- Produit à installer dans des applications résidentielles.
- Certifié pour une installation dans des maisons mobiles préfabriquées.

Étapes d'installation

Préparation pour l'installation	71
Détermination d'emplacement de l'installation	72
Protection contre le gel	76
Liste de contrôle pour choisir l'emplacement de l'installation.....	77
Montage mural	77
Dépose du panneau avant	77
Installation de ventilation (modèles d'intérieur uniquement)	78
Condensats.....	103
Liste de contrôle pour ventilation et condensats (modèles d'intérieur uniquement)	103
Installation de la plomberie	104
Liste de contrôle pour la plomberie	107
Installation de l'alimentation en gaz	107
Raccordement de l'électricité	109
Ajustement pour installations en haute altitude	109
Ajustement de longueur de ventilation (modèles d'intérieur uniquement)	109
Liste de contrôle pour gaz et électricité	109
Installation de contrôleur de température Optionnel	110
Liste de contrôle finale.....	112

Instructions générales

À ÉVITER

- N'installez pas les RUCS65i, ou le RUCS75i à l'extérieur.
- N'installez pas le RUS65e ou le RUS75e à l'intérieur.
- N'installez pas l'appareil dans une zone où une fuite d'eau venant de l'appareil ou de ses raccordements endommagerait la zone proche ou les étages du dessous de la structure. Quand une installation à de tels emplacements est inévitable, il est recommandé de placer sous l'appareil un bac de drainage convenable avec une bonne connexion à un drain de sol. Ce bac ne doit pas obstruer le flux d'air de combustion.
- N'obstruez pas le flux d'air de combustion et de ventilation. L'air de combustion de doit pas provenir d'espaces occupés.
- N'utilisez pas cet appareil dans une application telle que du chauffage de piscine ou de spa utilisant de l'eau chimiquement traitée (Cet appareil pour remplir de grandes baignoires ou des baignoires d'hydromassage avec de l'eau potable).
- N'utilisez pas des pièces de remplacement qui ne seraient pas autorisées pour cet appareil.

À FAIRE

- L'installation doit se faire en conformité avec les normes locales, ou à défaut, avec la *norme américaine sur le gaz combustible, ANSI Z223.1/NFPA 54*, ou la norme canadienne sur les *installations au gaz naturel et au propane, CSA B149.1*. Si elle se fait dans une maison préfabriquée, l'installation doit être en conformité avec la norme *Manufactured Home Construction and Safety Standard, Title 24 CFR, Part 3280* et/ou *CAN/SCA Z240 MH Series, Mobile Homes*.
- L'appareil une fois installé doit être relié électriquement à la terre en conformité avec les normes locales, ou à défaut, avec la *norme américaine électrique, ANSI/NFPA 70*, ou la *norme canadienne électrique, CSA C22.1*.
- L'appareil et sa vanne de gaz d'alimentation devront être débranchés du système de conduite d'alimentation en gaz durant tout test de pression de ce système au-delà de 1/2 psi (3,5 kPa ou 13,84 pouces de hauteur de colonne d'eau).
- L'appareil devra être isolé du système de conduite d'alimentation en gaz en fermant sa vanne de coupure manuelle d'alimentation durant tout test de pression de ce système en dessous de 1/2 psi (3,5 kPa ou 13,84 pouces de hauteur de colonne d'eau).

Instructions générales (Suite)

- Vous devez suivre les instructions d'installation et celles de la partie *Soins et entretien* pour la conformité de l'admission d'air de combustion et l'évacuation.

INFORMATIONS

- Si un chauffe-eau est installé dans un système fermé de fourniture d'eau, comme un comportant un dispositif anti-retour sur sa conduite d'alimentation en eau froide, il faut prendre des mesures pour contrôler l'expansion thermique. Contactez la régie fournissant l'eau ou un inspecteur local de plomberie pour connaître la manière de contrôler cette expansion thermique.
- En cas de surchauffe, ou si il est impossible de couper l'alimentation en gaz, coupez au niveau de la vanne manuelle de gaz en amont de l'appareil.
- Maintenez la zone d'admission d'air exempte de produits chimiques tels que chlore ou agent blanchissant qui produisent des fumées. Ces fumées peuvent endommager des composants et réduire la durée de service de votre appareil.

Préparation pour l'installation

Pièces incluses

- Chauffe-eau sans réservoir
- Vis auto Tapping (Qté - 2)

Outils nécessaires

- Clés à tuyaux (2)
- Pincés réglables
- Tournevis (2)
- Coupe-fils
- Gants
- Lunettes de sécurité
- Niveau à bulles

Outils pouvant être nécessaires

- Perceuse à percussion avec forets pour béton
- Scie
- Fileteuse avec têtes et burette
- Foret aléueur avec tête diamant
- Ensemble de chalumeau
- Coupe-tubes en cuivre
- Coupe-tubes en acier

Matériaux nécessaires

- Solution savonneuse ou spéciale pour détection de fuites de gaz
- Ventilation approuvée
- Bande Téflon (recommandée) ou composition pour tuyaux
- Clapet de décharge

Matériaux pouvant être nécessaires

- Bande thermique
- Isolant pour tuyaux
- Fil et gaine électrique selon la norme locale
- Chevilles pour murs en béton
- Cache-tuyau optionnel
- Contrôleur de température optionnel (MC-91-2)
- Colle/ciment pour PVC
- Tube flexible en PVC de 5/8" de diamètre interne
- Câble à deux conducteurs 22 AWG pour le contrôleur
- Boîtier électrique à commande unique
- Serre-fils
- Raccords-union et vanes de drainage
- Kit vanne d'isolement

Détermination de l'emplacement de l'installation

Vous devez assurer que tous les dégagements seront respectés et que la longueur de ventilation sera dans les limites requises. Prenez en considération l'environnement de l'installation, la qualité de l'eau, et le besoin de protection contre le gel. Les besoins concernant la conduite de gaz, les conduites d'eau, la connexion électrique et la mise au rebut des condensats peuvent se trouver dans leurs sections d'installation spécifiques de ce manuel.

Qualité de l'eau

Dans les facteurs à considérer pour l'entretien de votre chauffe-eau il y a l'évaluation de la qualité de l'eau.

L'eau doit être potable, exempte de produits chimiques corrosifs, de sable, salissures ou autres contaminants. Il est de la responsabilité de l'installateur de s'assurer que l'eau ne contient pas de produits chimiques corrosifs ou d'éléments qui pourraient affecter ou endommager le chauffe-eau. Une eau qui contient des produits chimiques dépassant les seuils montré dans ce tableau affecte et endommage l'échangeur thermique. Un remplacement de chauffe-eau résultant d'une mauvaise qualité d'eau n'est pas couvert par la garantie.

	Maximum Level
Dureté totale	Jusqu'à 200 mg / L
Aluminium *	Jusqu'à 0,2 mg / L
Chlorures *	Jusqu'à 250 mg / L
Cuivre *	Jusqu'à 1,0 mg / L
Dioxyde de carbone dissous (CO ₂)	Jusqu'à 15,0 mg / L, ou PPM
Fer *	Jusqu'à 0,3 mg / L
Manganèse*	Jusqu'à 0,05 mg / L
pH *	6,5 à 8,5
TDS (Total des solides dissous)*	Jusqu'à 500 mg / L
Zinc *	Jusqu'à 5 mg / L

* Source : Part 143 des réglementations secondaires américaines sur l'eau potable

Si vous vivez dans une région connue pour la dureté de son eau, ou pour causer des accumulations de tartre, vous devez traiter votre eau et/ou rincer plus souvent le chauffe-eau.

Quand du tartre qui s'accumule dans le chauffe-eau commence à affecter sa performance, un code de diagnostic "LC#" va s'afficher. Rincez le chauffe-eau pour éviter qu'il ne soit endommagé. Une accumulation de tartre est due à de l'eau dure avec une consigne réglée à température élevée.

Rinnai propose le "Système de conditionnement d'eau ScaleCutter" de Southeastern Filtration qui permet une prévention supérieure du niveau d'entartage et du contrôle de la corrosion, en injectant un mélange de composés de contrôle dans l'alimentation en eau froide.

N° de pièce	Description
103000038	Système ScaleCutter de Southeastern Filtration pour alimentation en 3/4"
103000039	Recharge de ScaleCutter

Environnement

L'air entourant le chauffe-eau, la ventilation et la/les terminaison(s) de ventilation est utilisé pour la combustion, et ne doit comporter aucun des composés pouvant provoquer une corrosion de composants internes. Cela inclut des composés corrosifs venant des bombes aérosol, des détergents, agents de blanchiment, solvants de nettoyage, peintures à l'huile/vernis, et réfrigérants. L'air ambiant des salons de beauté, des boutiques de nettoyage à sec, des laboratoires de traitement photographique, et des zones d'entreposage pour fournitures de piscine, contiennent souvent de ces composés. De ce fait, il est recommandé si possible que des modèles d'extérieur soient utilisés pour ces applications.

Le chauffe-eau, la ventilation et la/les terminaison(s) de ventilation ne doivent pas être installés dans toute zone où l'air est susceptible de contenir ce type de composés corrosifs. S'il est nécessaire que le chauffe-eau soit placé dans des zones pouvant contenir des composés corrosifs, les instructions qui suivent sont fortement recommandées.

IMPORTANTES CONSIDÉRATIONS POUR :

Chauffe-eau d'intérieur

- N'installez PAS dans des zones où l'air pour la combustion peut être contaminé par des produits chimiques.
- Avant l'installation, prenez en considération où l'air a la possibilité de circuler dans le bâtiment vers le chauffe-eau.
- Là où c'est possible, installez le chauffe-eau dans une armoire fermée de façon à ce qu'il soit protégé d'une contamination potentielle par l'air ambiant.
- Des produits chimiques de nature corrosive ne doivent pas être entreposés ou utilisés près du chauffe-eau.

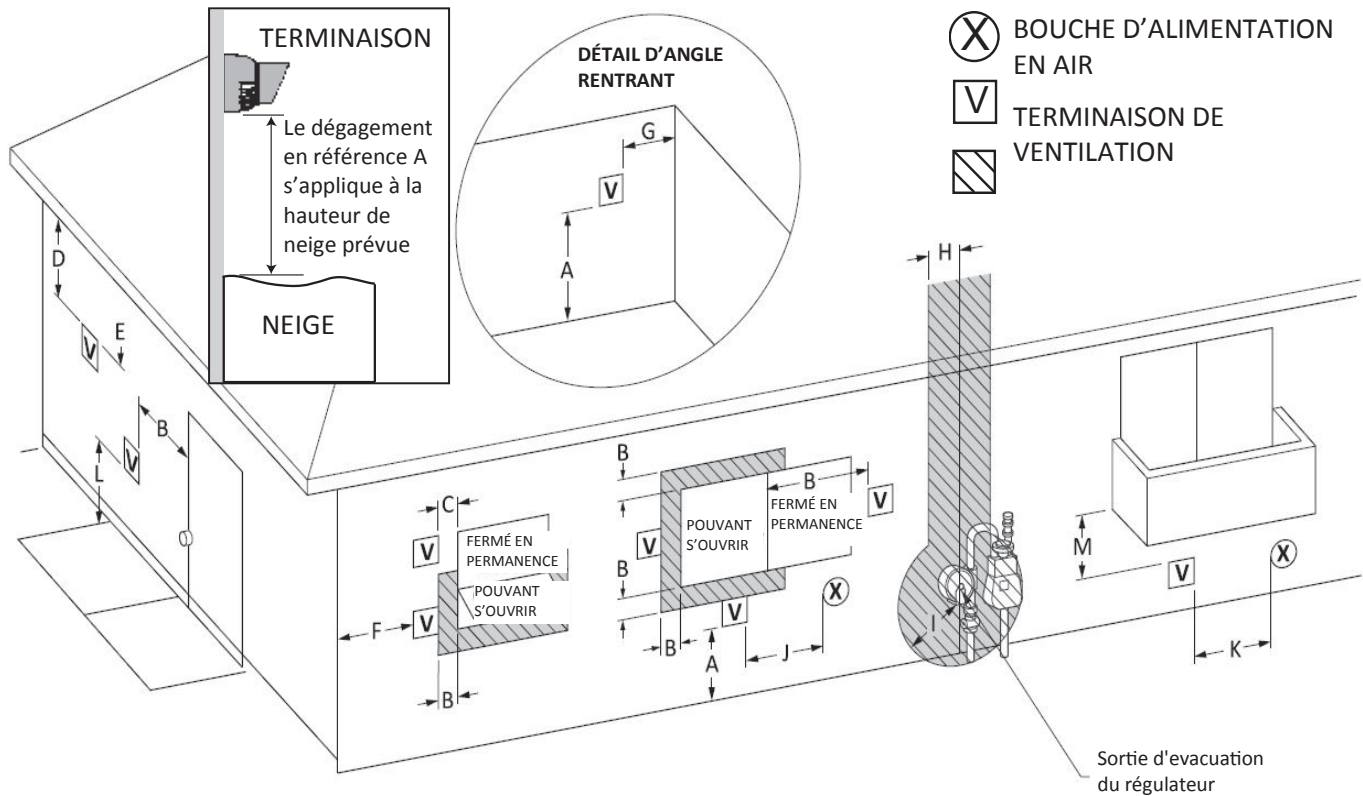
Chauffe-eau d'extérieur et terminaisons de ventilation de chauffe-eau d'intérieur

- Installez la terminaison du chauffe-eau le plus loin possible des hottes de ventilation d'évacuation.
- Installez-la le plus loin possible des bouches d'admission d'air. Des fumées corrosives peuvent être libérées par ces événements quand l'air n'est pas aspiré dedans.
- Des produits chimiques de nature corrosive ne doivent pas être entreposés ou utilisés près du chauffe-eau ou de la terminaison de ventilation.

Les dommages et les réparations résultant de la présence de composés corrosifs dans l'air ne sont pas couverts par la garantie.

Dégagements à la terminaison de ventilation directe (appareils d'intérieur)

Pour les modèles à l'intérieur, vous devez installer un évent de sortie pour apporter de l'air de combustion et d'expulser l'échappement à l'extérieur.



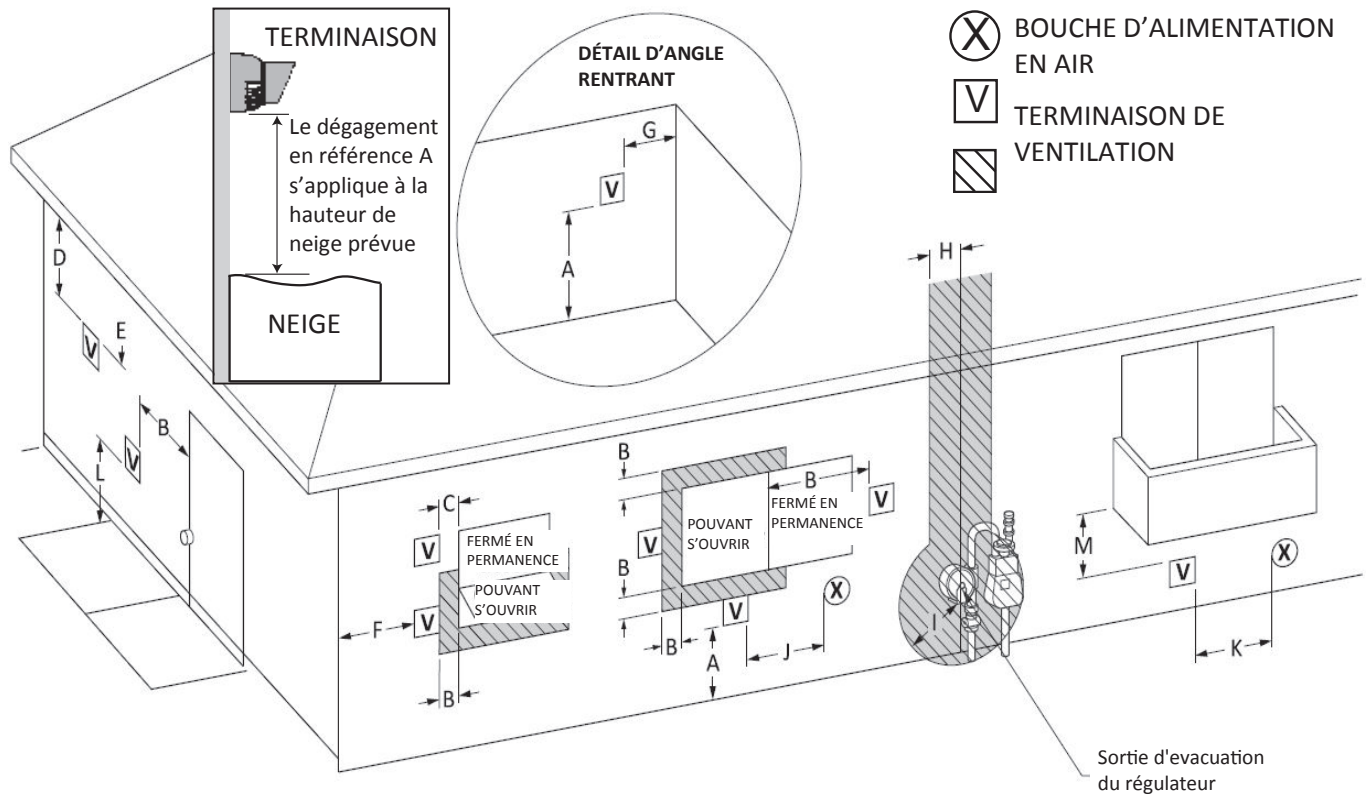
Réf.	Description	Installations canadiennes	Installations américaines
A	Dégagement au-dessus de niveau du sol, véranda, porche, plate-forme ou balcon	12 po. (30 cm)	12 po. (30 cm)
B	Dégagement par rapport à porte ou fenêtre pouvant être ouverte	36 po. (91 cm)	12 po. (30 cm)
C	Dégagement par rapport à une fenêtre restant fermée en permanence	*	*
D	Dégagement vertical par rapport à un soffite ventilé, situé au-dessus de la terminaison à une distance horizontale de moins de 2 pieds (60 cm) de l'axe de cette terminaison	*	*
E	Dégagement par rapport à un soffite non ventilé	*	*
F	Dégagement par rapport à un angle sortant	*	*
G	Dégagement par rapport à un angle rentrant	*	*
H	Dégagement par rapport à une ligne centrale prolongée au-dessus de l'ensemble de compteur/régulateur	*	*
I	Dégagement par rapport à la sortie de ventilation d'un régulateur de service	Au-dessus d'un régulateur situé à moins de 3 pi (91 cm) horizontalement de la ligne médiane verticale de la sortie d'aération du régulateur jusqu'à une distance verticale maximale de 4,5 m (15 pi)	*
J	Dégagement par rapport à une admission d'air non mécanique dans le bâtiment ou l'arrivée d'air de combustion vers un autre appareil	36 po. (91 cm)	12 po. (30 cm)
K	Dégagement par rapport à une admission d'air mécanique	6 pieds (1.83 m)	3 pieds (91 cm) au-dessus si à moins de 10 pieds (3 m) horizontalement
L	Dégagement au-dessus de passage ou de trottoir pavé appartenant au domaine public	7 pieds (2.13 m) ①	*
M	Dégagement par-dessus véranda, porche, plate-forme ou balcon	12 po. (30 cm) ②	*

- [1] Une ventilation ne doit pas se terminer directement au-dessus d'un trottoir ou d'une voie de circulation pavée qui serait située entre deux constructions familiales et desservant les deux.
- [2] Autorisé seulement si véranda, porche, plate-forme ou balcon ont une complète ouverture au moins sur deux côtés en-dessous de l'étage.

* Pour des dégagements non spécifiés dans ANSI Z223.1/NFPA 54, ils devront être en conformité avec les normes locales d'installation et les exigences du fournisseur de gaz.

Le dégagement par rapport à un mur opposé est de 24 pouces (60 cm).

Dégagements à la terminaison de ventilation non directe (appareils d'extérieur)



Réf.	Description	Installations canadiennes (CSA B149.1)	Installations américaines (ANSI Z223.1 / NFPA 54)
A	Dégagement au-dessus de niveau du sol, véranda, porche, plate-forme ou balcon	12 po. (30 cm)	12 po. (30 cm)
B	Dégagement par rapport à porte ou fenêtre pouvant être ouverte	6 po. (15 cm) pour les appareils ≤ 10 000 Btu/h (3 kW), 12 po. (30 cm) pour ceux > 10 000 Btu/h (3 kW) et ≤ 100 000 Btu/h (30 kW), 36 po. (91 cm) pour ceux >100 000 Btu/h (30 kW)	4 pieds (1,2 m) sous ou sur le côté de l'ouverture ; 1 pied (300 mm) au-dessus de l'ouverture
C	Dégagement par rapport à une fenêtre restant fermée en permanence	*	*
D	Dégagement vertical par rapport à un soffite ventilé, situé au-dessus de la terminaison à une distance horizontale de moins de 2 pieds (60 cm) de l'axe de cette terminaison	*	*
E	Dégagement par rapport à un soffite non ventilé	*	*
F	Dégagement par rapport à un angle sortant	*	*
G	Dégagement par rapport à un angle rentrant	*	*
H	Dégagement par rapport à une ligne centrale prolongée au-dessus de l'ensemble de compteur/régulateur	*	*
I	Dégagement par rapport à la sortie de ventilation d'un régulateur de service	Au-dessus d'un régulateur situé à moins de 3 pi (91 cm) horizontalement de la ligne médiane verticale de la sortie d'aération du régulateur jusqu'à une distance verticale maximale de 4,5 m (15 pi)	*
J	Dégagement par rapport à une admission d'air non-mécanique dans le bâtiment, ou l'arrivée d'air de combustion vers un autre appareil	6 po. (15 cm) pour les appareils ≤ 10 000 Btu/h (3 kW), 12 po. (30 cm) pour ceux > 10 000 Btu/h (3 kW) et ≤ 100 000 Btu/h (30 kW), 36 po. (91 cm) pour ceux >100 000 Btu/h (30 kW)	4 pieds (1,2 m) sous ou sur le côté de l'ouverture ; 1 pied (300 mm) au-dessus de l'ouverture
K	Dégagement par rapport à une admission d'air mécanique	6 pieds (1,83 m)	3 pieds (91 cm) au-dessus si à moins de 10 pieds (3 m) horizontalement
L	Dégagement au-dessus de passage ou de trottoir pavé appartenant au domaine public	7 pieds (2.13 m) ①	*
M	Dégagement par-dessus véranda, porche, plate-forme ou balcon	12 pouces (30 cm) ②	*

[1] Une ventilation ne doit pas se terminer directement au-dessus d'un trottoir ou d'une voie de circulation pavée qui serait située entre deux constructions familiales et desservant les deux.

[2] Autorisé seulement si véranda, porche, plate-forme ou balcon ont une complète ouverture au moins sur deux côtés en-dessous de l'étage.

* Pour des dégagements non spécifiés dans ANSI Z223.1/NFPA 54, ils devront être en conformité avec les normes locales d'installation et les exigences du fournisseur de gaz. Le dégagement par rapport à un mur opposé est de 24 pouces (60 cm).

Dégagements additionnels

Contrôlez si des réglementations locales sont plus exigeantes que ces valeurs de dégagements.

- Évitez de positionner des terminaisons près d'une ventilation de déshydrateur.
- Évitez de positionner des terminaisons près d'une évacuation de cuisine commerciale.
- Évitez les terminaisons à proximité de bouches d'entrée d'air.
- Vous devez installer une terminaison de ventilation à au moins 12 pouces (30 cm) du sol ou du niveau prévisible de la neige.

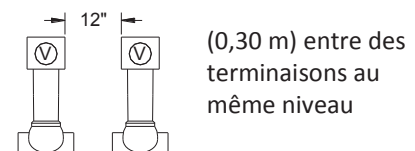
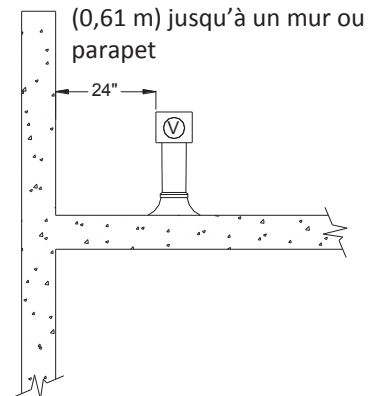
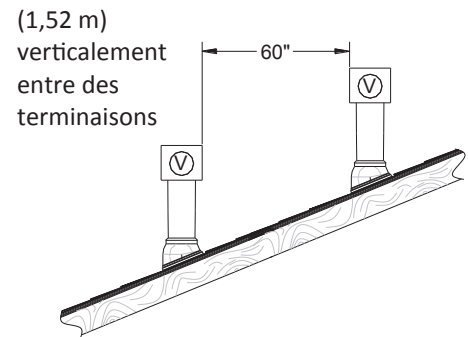
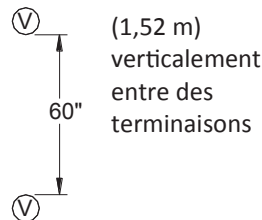
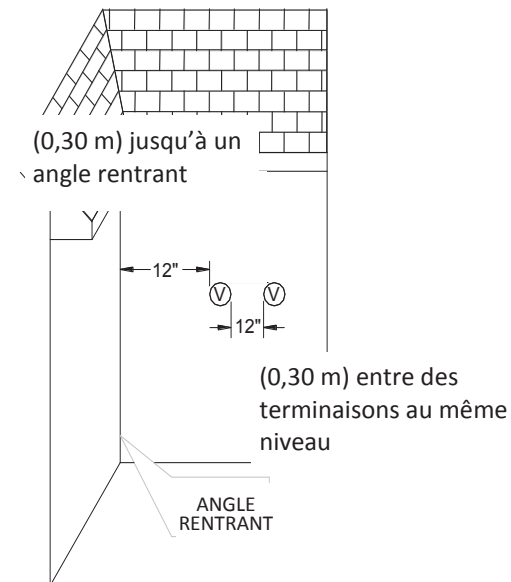
RUCS65i, RUCS75i

La ventilation pour cet appareil ne doit pas se terminer :

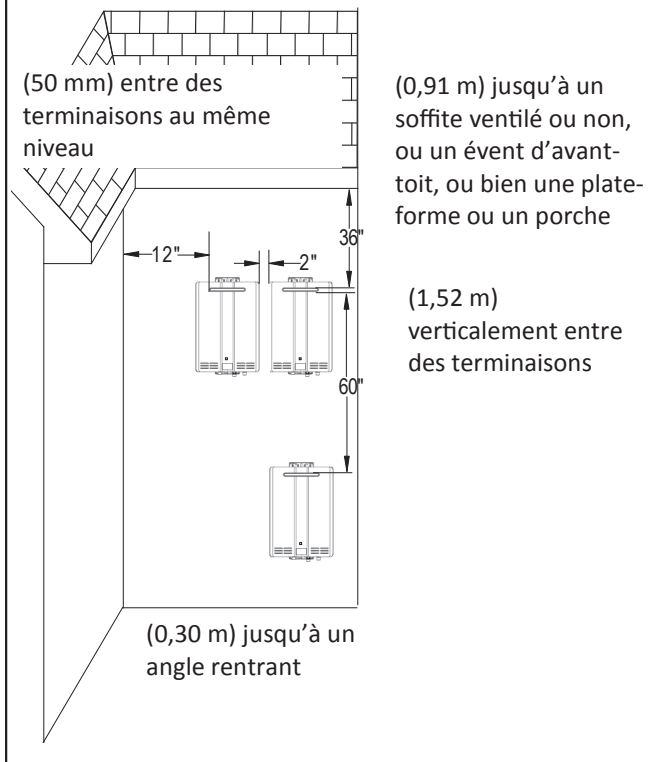
- Au-dessus de voies de passage publiques
- Près de ventilations de soffites et de vides sanitaires, ou d'autres zones où condensats ou vapeur pourraient créer une nuisance ou un risque, ou provoquer des dégâts matériels
- Là où des condensats ou de la vapeur pourraient causer des dommages ou être néfastes au bon fonctionnement des régulateurs, des robinets de purge, ou à un autre équipement.

Considérations Importantes pour situer la terminaison de ventilation sous un soffite (ventilé ou non, ou à évent d'avant-toit, ou bien sous un platelage ou un porche)

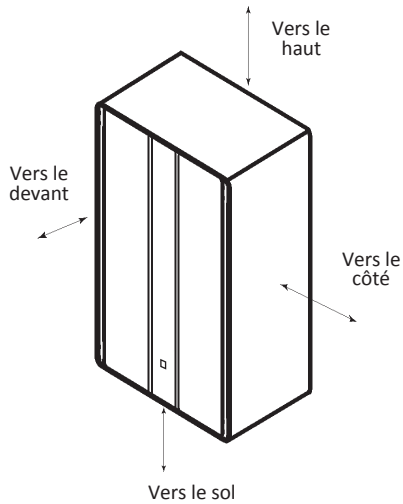
- N'installez pas de terminaison de ventilation sous un soffite d'une manière telle que son évacuation puisse entrer dans l'évent de soffite
- Installez la terminaison de ventilation de sorte que l'évacuation et l'humidité qui en sort ne soit collectés sous l'avant-toit. Une décoloration de l'extérieur du bâtiment pourrait survenir en cas d'installation trop proche.
- N'installez pas la terminaison de ventilation trop près sous le soffite où elle pourrait causer une recirculation des gaz d'évacuation dans l'admission d'air de combustion faisant partie de cette terminaison.



RUS65e, RUS75e



Dégagements autour du chauffe-eau



Modèles d'intérieur : RUCS65i, RUCS75i

	Par rapport à des matériaux combustibles en pouces (mm)	Par rapport à des matériaux non-combustibles en pouces (mm)
Haut du chauffe-eau	6 * (152)	2 *(51)
Arrière du chauffe-eau	0 (zéro)	0 (zéro)
Avant du chauffe-eau	6 (152)	6 (152)
Côtés du chauffe-eau	2 (51)	1/2 (13)
Sol/plancher	12 (305)	12 (305)
Ventilation	0 (zéro)	0 (zéro)

* 0 pouce depuis les composants de ventilation et la conduite de drainage de condensats.

L'espace libre pour les interventions de service est de 24 pouces (61 cm) vers l'avant du chauffe-eau.

Pour une installation en armoire, l'écartement est de 5 pouces (152 mm) depuis l'avant.

Modèles d'extérieur : RUS65e, RUS75e

	Par rapport à des matériaux combustibles en pouces (mm)	Par rapport à des matériaux non-combustibles en pouces (mm)
Haut du chauffe-eau	12 (305)	2 (51)
Arrière du chauffe-eau	0 (zéro)	0 (zéro)
Avant (panneau)	24 (610)	0 (zéro)
Avant (évacuation)	24 (610)	24 (610)
Côtés du chauffe-eau	6 (152)	1/8 (3.2)
Sol/plancher	12 (305)	2 (51)

L'espace libre pour les interventions de service est de 24 pouces (61 cm) vers l'avant du chauffe-eau.

Protection contre le gel

Assurez-vous que par temps très froid le chauffe-eau et ses conduites d'eau sont protégées pour éviter le gel. Les dommages dûs au gel ne sont pas couverts par la garantie.

Avec un raccordement sur le secteur, ou chauffage par gaz le chauffe-eau ne gèlera pas quand la température de l'air ambiant extérieur descend jusqu'à -22°F (-30 °C) pour les modèles d'intérieur, ou -4°F (-20 °C) pour les modèles d'extérieur, en étant protégé contre une exposition à un courant d'air direct. Du fait du refroidissement par le vent, tout vent ou air circulant sur l'appareil réduira sa capacité à résister au gel.

Dans l'éventualité d'une panne d'alimentation secteur à des températures en dessous de 0 °C, le chauffe-eau doit être vidangé de toute son eau pour éviter des dégâts par le gel. De plus, il faut vider aussi le piège à condensat et la conduite de drainage.

En cas de panne de courant ou de gaz à des températures sous le niveau de gel, il faut vidanger le chauffe-eau pour éviter tout dommage, De plus, vidanger les conduits des condensats et d'évacuation.

Une perte de protection contre le gel peut entraîner des dégâts des eaux venant d'un échangeur thermique ou de conduites d'eau qui ont explosé.

L'appareil peut être vidangé manuellement. Cependant, il est fortement recommandé que :

- Des électrovannes de vidange soient achetées et installées pour vider automatiquement le chauffe-eau en cas de coupure d'alimentation secteur. Elles sont proposées dans un kit, N° de pièce 104000059. (Le drainage du piège à condensats n'est pas affecté par les électrovannes de purge, et devra être ouvert annuellement).
- Un parasurtenseur avec prises soit acheté et installé de façon à permettre aux électrovannes de fonctionner si le chauffe-eau est désactivé du fait d'un code de diagnostic. Il est disponible sous le N° 104000057.

De plus, ces électrovannes devront être connectées électriquement sur un parasurtenseur avec des prises. Cela permet aux électrovannes de fonctionner si le chauffe-eau est désactivé suite à un code de diagnostic.

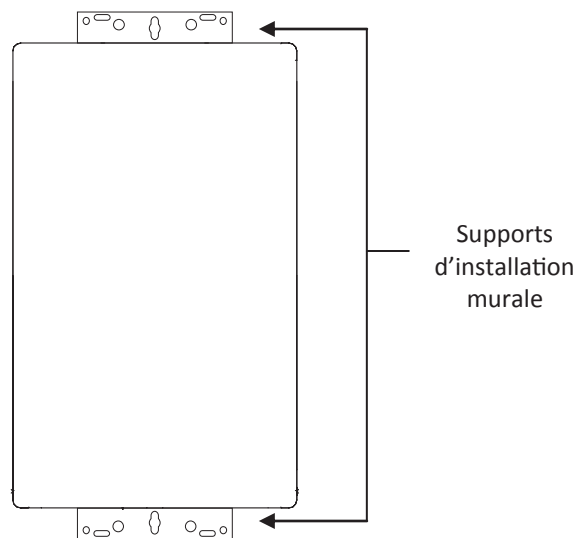
Les capacités de protection contre le gel n'empêchent pas la tuyauterie extérieure de geler. Il est recommandé d'isoler les tuyaux d'eau chaude comme d'eau froide. Des caches de couverture de tuyaux peuvent être remplis de matière isolante pour plus de protection contre le gel.

Il est recommandé que la conduite de drainage de piège à condensats soit isolée. Une conduite de drainage de condensats gelée amène le code de diagnostic 25.

Liste de contrôle pour choisir l'emplacement de l'installation

- Le chauffe-eau n'est pas exposé à des composés corrosifs dans l'air.
- L'emplacement du chauffe-eau permet de respecter les dégagements.
- Pour les modèles d'intérieur, la ventilation prévue ne dépassera pas la longueur maximale en fonction du nombre de coudes utilisé.
- L'emplacement prévu pour la terminaison de ventilation/admission d'air permettra de respecter les dégagements.
- L'air intérieur ne doit pas être utilisé pour la combustion
- L'eau d'alimentation ne contient pas de produits chimiques et ne présente pas un taux de dureté qui endommagerait le chauffe-eau.
- Une prise murale standard 3 broches pour alimentation secteur 120 V CA/60 Hz (pour modèles d'intérieur), correctement reliée à la terre, est disponible.
- L'installation doit être en conformité avec les normes locales, ou en leur absence avec la norme américaine *ANSI Z223.1/NFPA 54 (Gaz combustible)*, ou la norme canadienne *CSA B149.1 (Installations au gaz naturel ou propane)*. En cas d'installation en maison préfabriquée, il faut se conformer à la norme américaine pour *Construction de maison préfabriqué et sécurité, Title 24 CFR, Part 3280* et/ou à la norme canadienne *CAN/SCA Z240 MH Series (Maison mobile)*.
- Laissez le manuel en entier enregistrée au chauffe-eau (modèles d'intérieur) ou de donner le manuel en entier directement au consommateur.

Montage mural



1. Identifiez l'emplacement de l'installation et confirmez qu'elle respectera tous les dégagements obligatoires.
2. Fixez solidement le chauffe-eau au mur en utilisant n'importe quels trous dans les supports d'installation murale qui sont en haut et en bas du chauffe-eau. Assurez-vous que la force des attaches est suffisante pour supporter le poids. Référez-vous au poids du chauffe-eau plein dans la section des spécifications. Utilisez un outil de mesure de niveau pour vous assurer que le chauffe-eau est fixé d'aplomb. Son bon fonctionnement exige que le chauffe-eau soit de niveau.

AVIS

Le chauffe-eau ne doit être placé qu'en position droite. Ne l'installez pas tête en bas ou sur le côté.

Dépose du panneau avant

Glissez les caches de garniture en plastique de chaque côté du chauffe-eau pour exposer les vis.

Enlevez les 4 vis et tirez le panneau avant pour le sortir.

Installation de Ventilation (modèles d'intérieur uniquement)

Fabricants et aux Produits de Ventilation Approuvés

Fabricant	Produits de ventilation listés et testés	Contact	Terminaison verticale	Terminaison horizontale
Ubbink	Système Rolux de ventilation à condensation	www.rinnai.us 800-621-9419	184162PP	223176PP, 223177PP
Centrotherm	Système de ventilation InnoFlue, tube à paroi unique (SW) de diamètre 3"	www.centrotherm.us.com 877-434-3432	ICRT3539	ISELL0387UV
Heat-Fab	Système SC de ventilation Saf-T	www.heatfab.com 800-772-0739	Saf-T Vent CI Plus Wall Termination	Saf-T Vent CI Plus Rain Cap
Metal-Fab	Système de ventilation / admission d'air Corr/Guard	www.metal-fabinc.com 800-835-2830	3CGRVDK	3CGRVT, 3CGVRHK3, 3CGVRHK4
Ipex	Kit Concentric	www.ipexamerica.com www.ipexinc.com U.S. - 800-463-9572 CA. - 866-473-9462	3"- 196006 /197009 4"-196021 /197021	3"- 196006 / 197009 4"-196021 / 197021
	Kit de terminaison profil bas		—	3"- 196985 4"- 196986
Royal	GVS-65 Kit Concentric	www.royalbuildingproducts.com 800-232-5690	52CVKGV6503	52CVKGV6503
	GVS-65 Kit de terminaison profil bas		—	52SWVKGVS6503
Fabricants divers	Tuyau de drain/renvoi/évent en PVC ou CPVC qualité 40	—	Tableau de référence "Configurations de ventilation PVC/ CPVC approuvées"	Tableau de référence "Configurations de ventilation PVC/CPVC approuvées"

Une ventilation adéquate est requise pour le bon fonctionnement de cet appareil

Consignes pour la ventilation

À ÉVITER

- N'utilisez pas de PVC/CPVC à noyau cellulaire.
- N'utilisez pas de Radel, ABS ou matériau galvanisé pour ventiler cet appareil.
- Ne pas couvrir tuyau de ventilation non-métallique et raccords avec un isolant thermique.
- Ne combinez pas des composants de ventilation venant de fabricants différents.
- Le diamètre de la ventilation ne doit pas être rétréci.
- Ne connectez pas le système de ventilation sur une évacuation ou cheminée existante.
- Ne pas évent commune

À FAIRE

- Ce chauffe-eau est un modèle à ventilation directe, et de ce fait il est certifié et listé avec le système de ventilation. Vous devez utiliser des composants de ventilation qui sont certifiés et listés pour aller avec le modèle de chauffe-eau.
- Le système de ventilation doit donner directement sur l'extérieur du bâtiment et utiliser de l'air extérieur pour la combustion.
- Évitez les affaissements et points bas dans les tronçons horizontaux de ventilation en installant des supports selon les instructions du constructeur de la ventilation.
- Supportez les tronçons horizontaux de ventilation tous les quatre pieds (120 cm) et tous les tronçons verticaux tous les six pieds (180 cm), ou en conformité avec les normes locales.
- La ventilation doit être aussi directe que possible avec un minimum de raccords de tuyaux.
- Les connexions de ventilation doivent être fermement pressées ensemble de façon à ce que les joints soient bien étanches à l'air.
- La partie de ventilation connectée sur le chauffe-eau doit être fixée avec une vis autotaraudeuse.

INFORMATIONS

- Référez-vous aux instructions du fabricant de système de ventilation pour le montage des composants.
- Si le système de ventilation doit être enfermé, il est suggéré que la conception de son enveloppe permette son inspection. La conception de cette enveloppe doit être jugée acceptable par l'installateur ou l'inspecteur local.

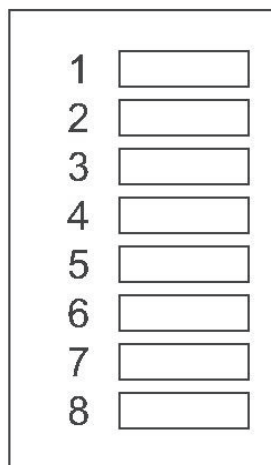
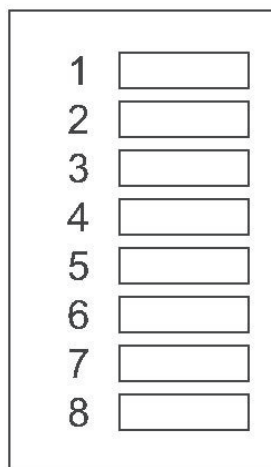
AVIS

S'il devient nécessaire d'accéder à un système de ventilation enfermé pour des interventions de service ou de réparation, Rinnai n'est pas responsable des coûts ou des difficultés pour y accéder. La garantie ne couvre pas l'obtention d'un accès au système de ventilation dans un environnement fermé.

Détermination de configuration de ventilation

Avant l'installation du système de ventilation, les commutateurs DIP sur le circuit imprimé doit être correctement configuré pour la configuration de ventilation sélectionnée pour l'application. (Unité vient par défaut pour les applications concentriques)

Paramètres des Commutateurs DIP pour la Ventilation	
Style de ventilation	SW4 in DIPSW 2
Concentric	OFF
Lits Pipe	ON



← SW4
OFF-Concentric
ON-Lits Pipe

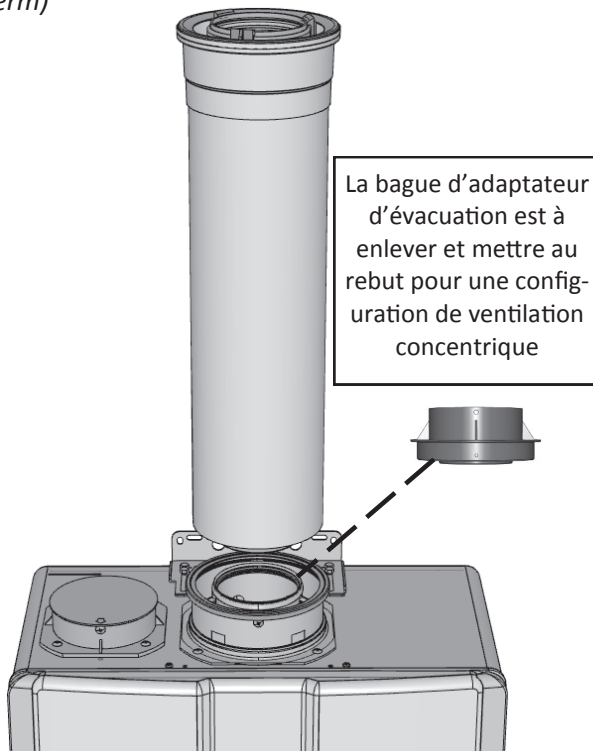
Détermination de configuration de ventilation

AVIS

- Avant l'installation du système de ventilation, l'appareil doit être correctement ajusté pour sa configuration choisie dans l'application.
- Tous les problèmes résultant d'une mauvaise installation ne seront pas couverts par la garantie.
- De l'air extérieur sous conduite est obligatoire pour toutes configurations à tuyaux jumelés.

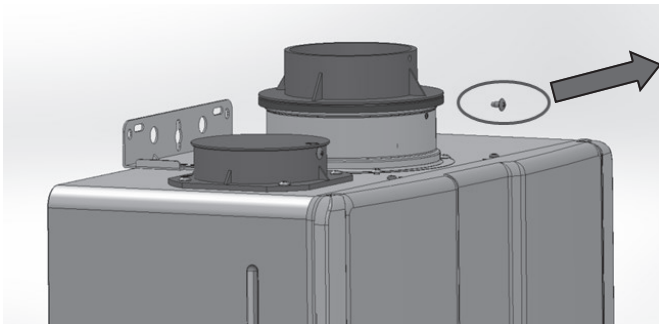
Configuration de ventilation concentrique

(La même procédure est à utiliser pour des tuyaux jumelés avec configuration d'adaptateur Centrotherm)

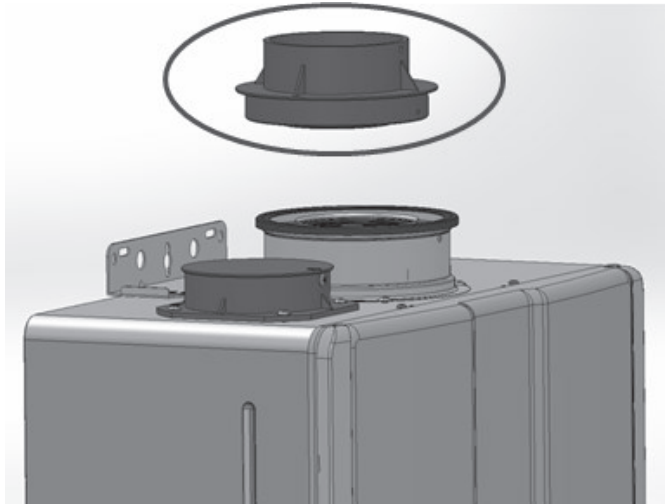


Dépose de la bague d'adaptateur d'évacuation

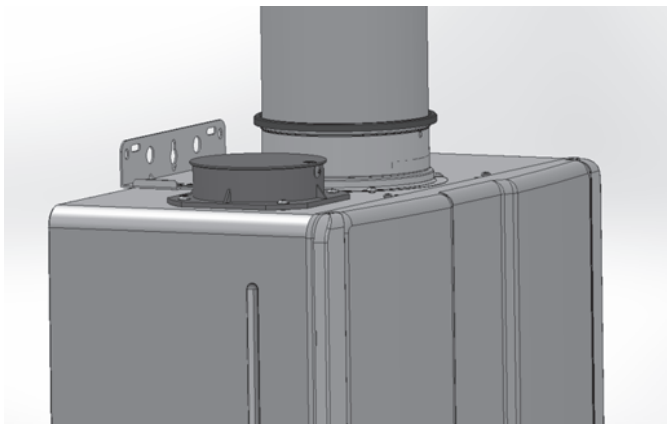
1. Enlevez la vis de la connexion concentrique de cheminée.



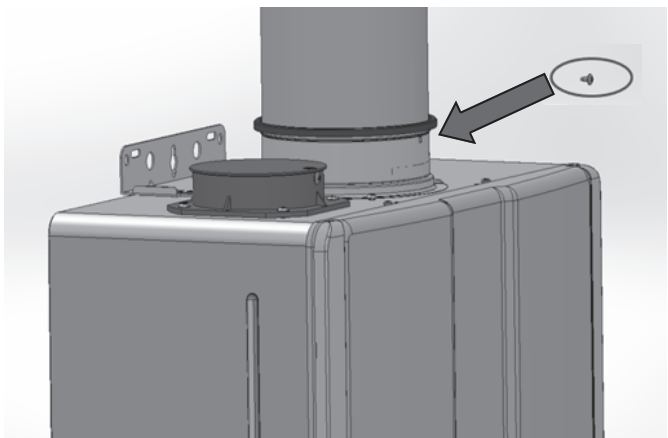
2. Sortez la bague d'adaptateur d'évacuation.



3. Installez la ventilation concentrique. Assurez-vous de sa bonne mise en place.



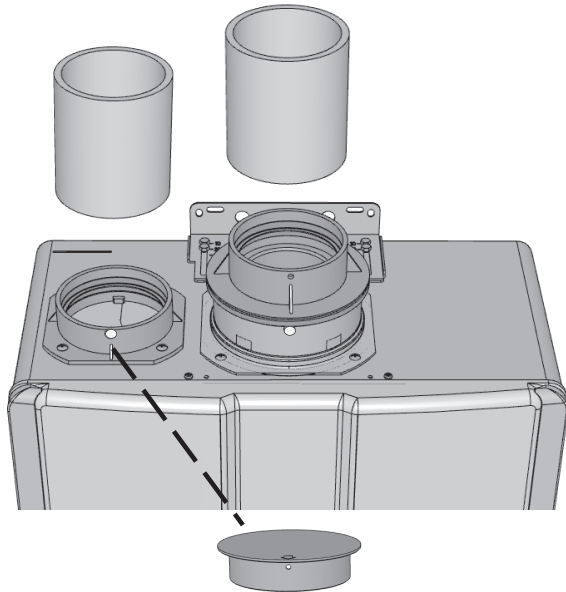
4. Fixez le tuyau de ventilation sur l'appareil avec la vis.



Détermination de configuration de ventilation (Suite)

Configuration à tuyau double en PVC/CPVC

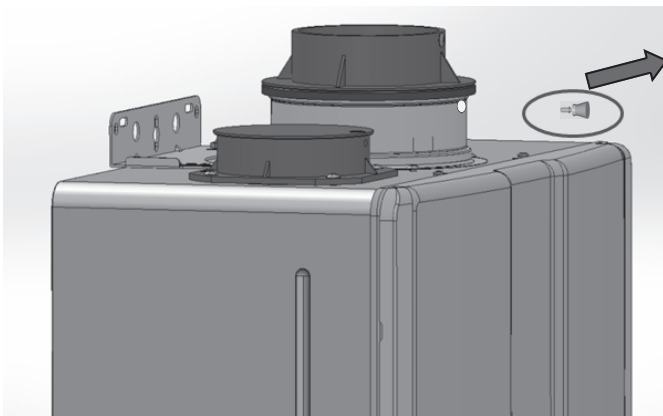
(3 ou 4")



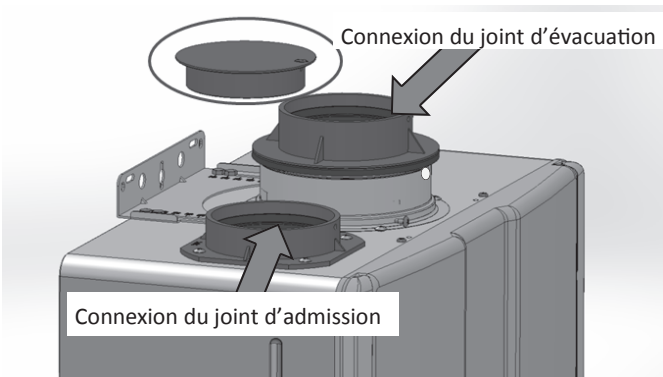
Le chapeau d'admission peut être enlevé et mis au rebut pour la configuration à tuyau double en PVC/CPVC.

Dépose du chapeau d'admission

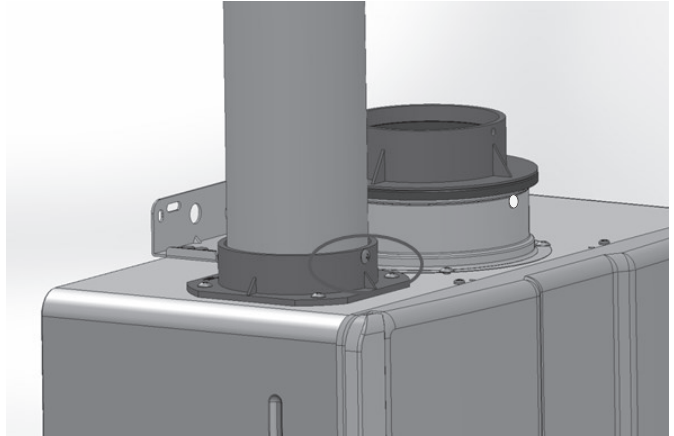
1. Enlevez la vis de la connexion d'admission.



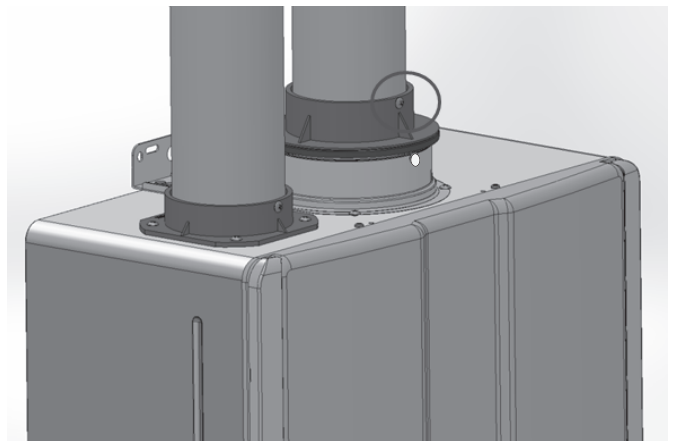
2. Sortez le chapeau d'admission.



3. Installez le tuyau d'admission. Assurez-vous de sa bonne mise en place.
4. Fixez le tuyau d'admission sur l'appareil avec la vis fournie (dans l'emballage en carton).



5. Installez le tuyau d'évacuation. Assurez-vous de sa bonne mise en place.
6. Fixez le tuyau d'évacuation sur l'appareil avec la vis fournie (dans la boîte en carton).



AVERTISSEMENT

N'appliquez PAS de colles pour PVC, de solvants ou d'agents nettoyants sur les connexions avec joint d'admission ou d'échappement de chauffe eau. Un assemblage incorrect des composants par rapport à ces instructions peut entraîner des dégâts matériels, blessures ou même la mort.

Longueur maximale de ventilation

Longueur maximale de ventilation concentrique

- Déterminez le nombre de coudes à 90 degrés dans le système de ventilation (Deux coudes à 45 degrés comptent comme un coude à 90 degrés).
- Reportez-vous à ce tableau pour trouver la longueur maximale de ventilation compte tenu du nombre de coudes
- Réglez SW1 en DIPSW 1 (commutateurs tan) si requis par la note applicable.

Concentrique (Équivalence des coudes : à 90° = 6 pieds, à 45° = 3 pieds)	
Longueur maximale équivalente de 41 pieds (12,5 m)	
Nombre de coudes à 90°	Longueur maximale de ventilation en pieds (mètres)
0	41 (12.5) ¹
1	35 (10.7) ²
2	29 (8.8) ³
3	23 (7.0) ⁴
4	17 (5.2) ⁴
5	11 (3.4) ⁴
6	5 (1.5) ⁴

- Si la longueur est supérieure à 21 pieds (6,4 m), alors passez le micro-commutateur SW1 sur ARRÊT.
- Si la longueur est supérieure à 15 pieds (4,6 m), alors passez le micro-commutateur SW1 sur ARRÊT.
- Si la longueur est supérieure à 9 pieds (2,7 m), alors passez le micro-commutateur SW1 sur ARRÊT.
- Passez le micro-commutateur SW1 sur ARRÊT.

Exemple : Si vous avez un coude alors la longueur maximale de ventilation est de 35 pieds (10,7 m). Si la longueur réelle calculée est supérieure à 15 pieds (4,6 m), alors passez le micro-commutateur de SW1 de DIPSW 1 sur ARRÊT.

AVIS

Si votre longueur de ventilation est plus grande que la prescription (voir la note 3 sur cette longueur max. de ventilation), alors il faut mettre ce micro-commutateur N° 1 en position OFF. Cela assure le bon fonctionnement du chauffe-eau. Des codes de diagnostic de conduit bloqué et des interruptions de fonctionnement peuvent venir d'une position incorrecte de ce micro-commutateur SW 1 dans DIPSW1.

Longueur maximale de ventilation avec du tuyau Centrotherm 2

Système de ventilation InnoFlue (tube à paroi unique (SW) de diamètre 3")

Longueur de ventilation en utilisant un coude à rayon de courbure faible

(L'admission comporte ce type de coude à 90° avec protection contre les UV)

Nombre de coudes à 90° de faible rayon	Longueur droite max. de ventilation	État du micro-commutateur SW1 dans DIPSW 1 Si la longueur est supérieure à :
0	41 pieds (12,50 m)	18 pieds (5,49 m), déplacer SW1 sur ARRÊT
1	26 pieds (7,93 cm)	3 pieds (0,91 m), déplacer SW1 sur ARRÊT
2	11 pieds (3,35 m)	Déplacer le micro-commutateur SW1 sur ARRÊT quelle que soit la longueur

Longueur de ventilation en utilisant des coudes à fort rayon de courbure

(L'admission comporte ce type de coude à 90° avec protection contre les UV)

Nombre de coudes à 90° de fort rayon	Longueur droite max. de ventilation	État du micro-commutateur SW1 dans DIPSW1 Si la longueur est supérieure à :
0	41 pieds (12,50 m)	21 pieds (6,40 m), déplacer SW1 sur ARRÊT
1	35 pieds (10,67 m)	15 pieds (4,57 m), déplacer SW1 sur ARRÊT
2	29 pieds (8,84 m)	9 pieds (2,74 m), déplacer SW1 sur ARRÊT
3	23 pieds (7,01m)	3 pieds (0,91 m), déplacer SW1 sur ARRÊT
4	17 pieds (5,18 m)	Passer le micro-commutateur SW1 sur ARRÊT quelle que soit la longueur
5	11 pieds (3,35 m)	
6	5 pieds (1,52 m)	

Longueur maximale de ventilation

Longueur maximale de Vent avec Twin tuyau en PVC / CPVC

Lits Pipe 3 "PVC / CPVC (Coude à 90 ° équivaut à 5 pieds; Coude de 45 ° est équivalent à 2,5 pieds.)	
Equivalent maximale Longueur d'évent 41 pieds (12,5 m)	
Nombre de coudes 90 °	Longueur maximale de Vent en pieds (mètres)
0	41 (12.5)**
1	36 (11.0) **
2	31 (9.4) **
3	26 (7.9) **
4	21 (6.4) **
5	16 (4.9) **
6	11 (3.4) **

Lits Pipe 4 "PVC / CPVC (Coude à 90 ° équivaut à 5 pieds; Coude de 45 ° est équivalent à 2,5 pieds.)	
Equivalent maximale Longueur d'évent 100 pieds (30,5 m)	
Nombre de coudes 90 °	Longueur maximale de Vent en pieds (mètres)
0	100 (30.5)**
1	95 (29.0) **
2	90 (27.4) **
3	85 (25.9) **
4	80 (24.4) **
5	75 (22.9) **
6	70 (21.3) **

**Le micro-commutateur SW1 dans DIPSW 1 est sur ARRÊT pour des longueurs égales ou supérieures à 21 pieds (6,4 m).

(Voir la section Installation Lits tuyau en PVC / CPVC Vent pour plus d'informations concernant les calculs de longueur d'évent équivalent.)

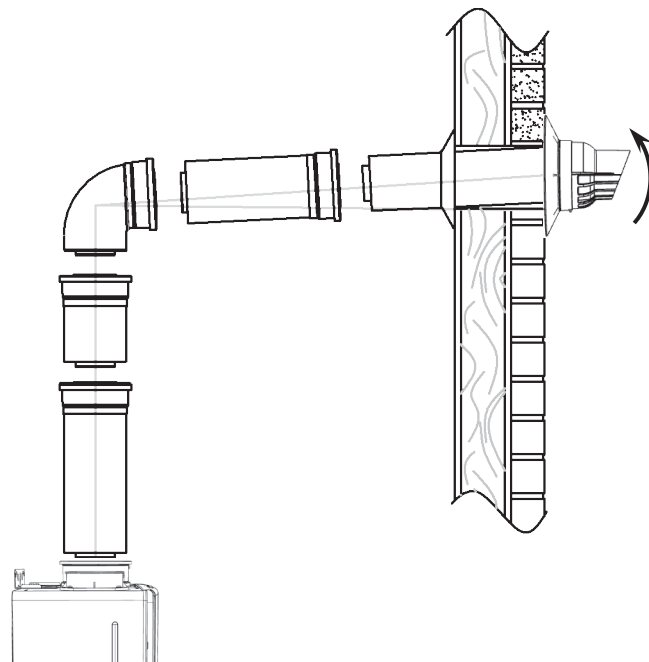
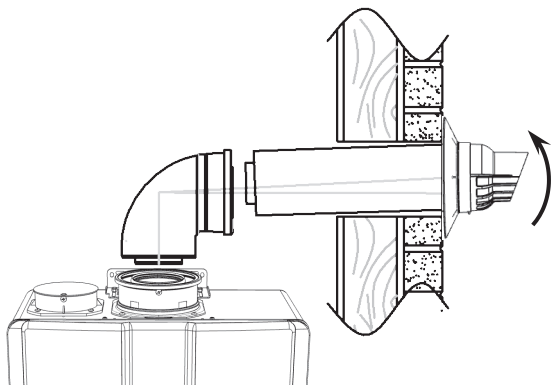
Installation de cheminée avec ventilation concentrique (modèles d'intérieur uniquement)

Installez la terminaison de ventilation en fonction des schémas et des instructions qui suivent.

Terminaison horizontale

Inclinez la ventilation en direction du chauffe-eau (1/4" par pied, soit 1 cm/48 cm) selon les instructions d'installation des fabricants de ventilation.

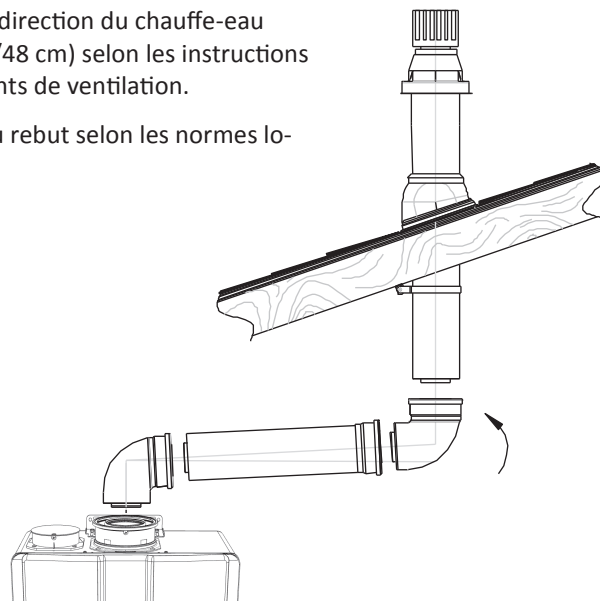
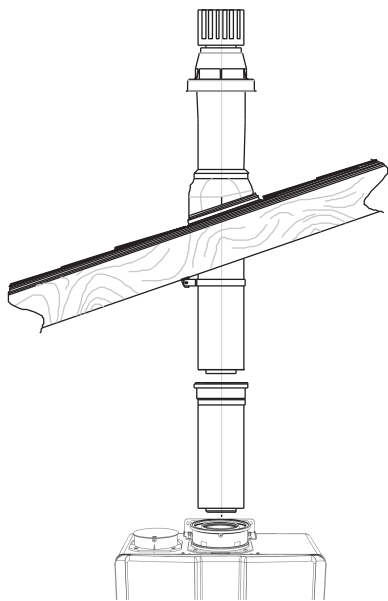
Mettez les condensats au rebut selon les normes locales.



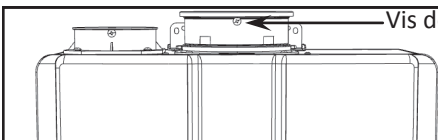
Terminaison verticale

Inclinez la ventilation en direction du chauffe-eau (1/4" par pied, soit 1 cm/48 cm) selon les instructions d'installation des fabricants de ventilation.

Mettez les condensats au rebut selon les normes locales.



Vis de fixation



Fixez la partie de ventilation branchée sur le chauffe-eau avec une vis autotaraudeuse à l'emplacement du trou.

Installation de cheminée avec ventilation Centrotherm (modèles d'intérieur uniquement)

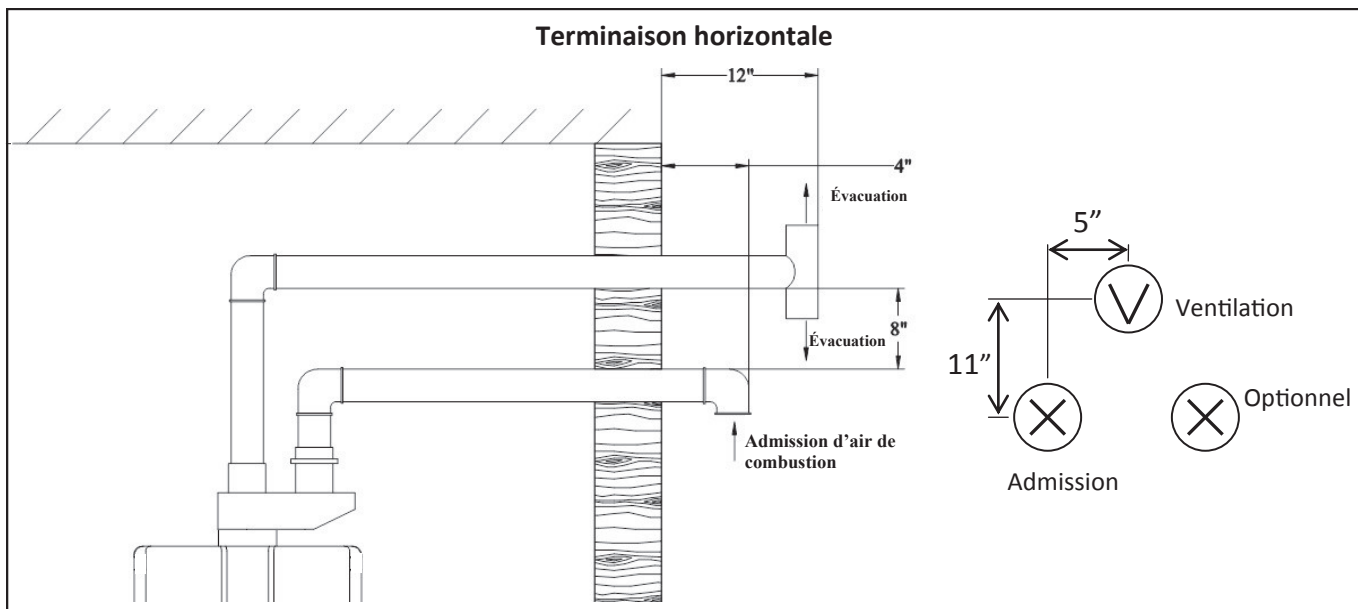
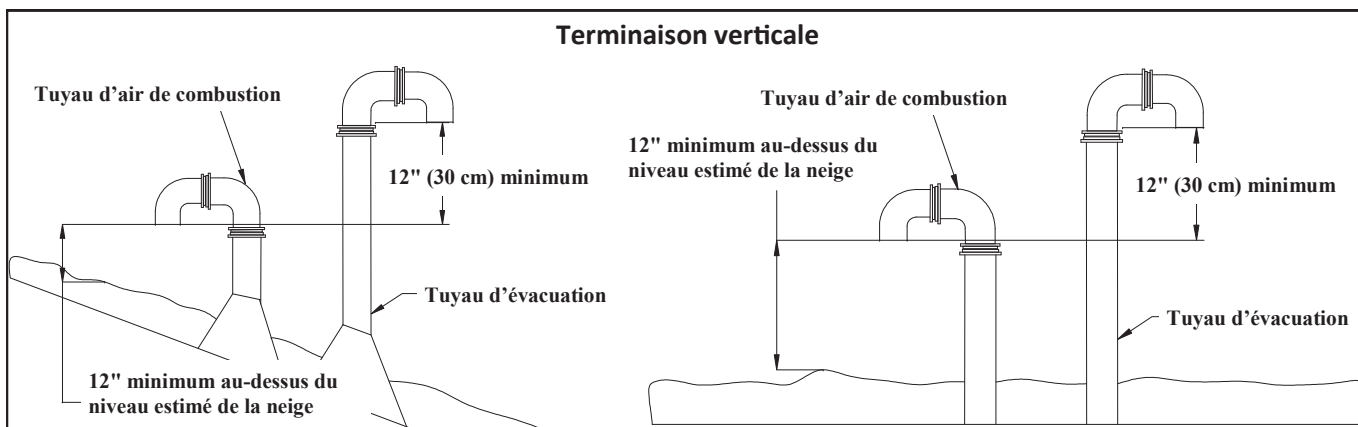
Installez la terminaison de ventilation en fonction des schémas et des instructions qui suivent

- Restez conforme aux dégagements d'évacuation trouvés dans le manuel Rinnai d'installation et d'utilisation.
- Un seul appareil peut être relié au système de ventilation.
- Installez le système selon les instructions d'installation de Centrotherm.
- La terminaison de ventilation doit se trouver dans la même zone de pression.
- Ne dépassez pas la longueur maximale de ventilation droite en comptant le nombre de coudes comme c'est montré aux tableaux de la section suivante.
- Maintenez les dégagements aux valeurs montrées sur les illustrations ci-dessous.

AVERTISSEMENT Les matériaux de ventilation suivants **NE SONT PAS APPROUVÉS** pour une utilisation avec ce chauffe eau.

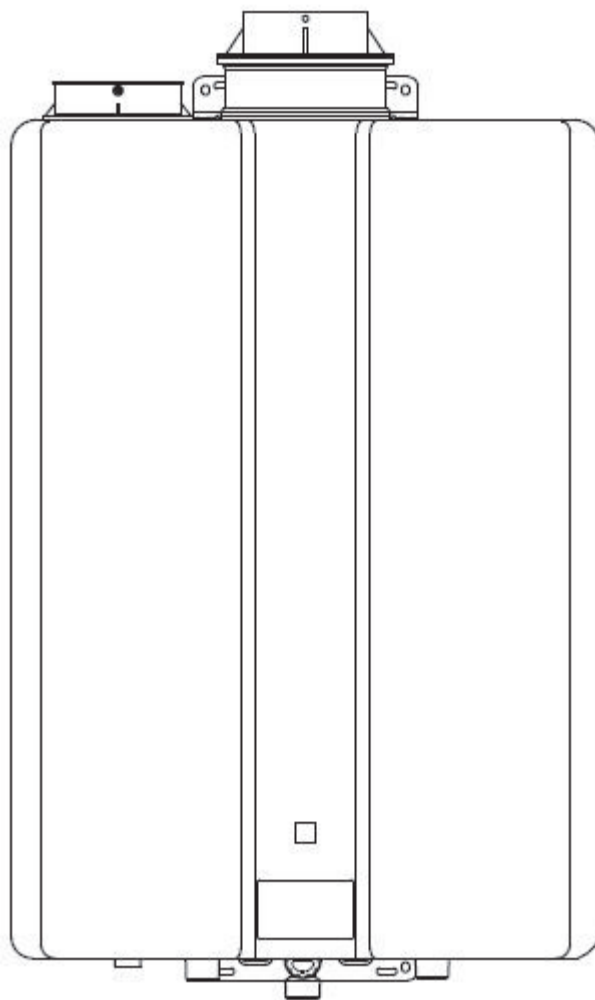
- PVC/CPVC à structure cellulaire
- Conduites en Radel, ABS, et/ou galvanisées

Ne pas utiliser des matériaux approuvés en ventilation peut conduire à des dégâts matériels, des blessures corporelles, ou même la mort.



Inclinez le tronçon horizontal d'évacuation vers le chauffe eau de 1/4" par pied (1 cm/48 cm). **N'inclinez PAS** le tuyau d'air de combustion vers le chauffe-eau. Assurez-vous de mettre les condensats au rebut en respectant les normes locales.

Installation de ventilation à tuyau double en PVC/CPVC



AVERTISSEMENT

Les installations doivent se conformer aux exigences locales et aux normes nationales, américaine sur le gaz combustible (ANSI Z223.1/ NFPA 54) ou canadienne sur les Installations aux gaz naturel et au propane (CSA B149.1). **N'utilisez PAS** de matériaux de tuyauterie à base de PVC à noyau cellulaire, PVC/CPVC ou Radel. Les ventilations DOIVENT être UNIQUEMENT en tuyauterie à noyau plein.

AVERTISSEMENT

N'utilisez que des matériaux listés dans cette section pour ventilation, tuyau d'admission d'air et raccords (Consultez le Tableau sur les matériaux pour tuyauterie de ventilation et d'admission d'air). Ne pas respecter cette mise en garde peut conduire à des dégâts matériels, des blessures corporelles, ou même la mort.

DANGER

Les chauffe-eau sans réservoir avec ventilation en PVC/CPVC doivent être configurés avec leur admission d'air et évacuation utilisant de la tuyauterie et des méthodes décrites dans cette section. Chaque chauffe-eau doit avoir son admission et ventilation en propre. NE mettez PAS en commun la ventilation avec n'importe quel autre appareil utilisant cette méthode. Inspectez soigneusement à la fin la tuyauterie de ventilation et d'admission d'air pour vous assurer qu'elle est étanche et en conformité avec les instructions fournies et toutes les exigences des normes applicables. À défaut de fournir un système de ventilation et d'air correctement installé vous vous exposez à des blessures pouvant être fatales.

AVERTISSEMENT

Admission d'air de combustion – Le raccord de terminaison d'admission d'air doit être installé avec des dégagements et une géométrie relative à l'évacuation (ventilation) décrits dans cette section, afin d'assurer que des produits de fumée n'entrent pas dans l'admission d'air de combustion. Assurez-vous que l'air admis ne contiendra aucun des contaminants listés dans la section "**Détermination de l'emplacement de l'installation**" de ce manuel. Une contamination à l'admission d'air endommagerait le chauffe-eau, en entraînant potentiellement des dégâts matériels, des blessures ou même la mort.

Évacuation – La terminaison d'évacuation (ventilation) doit être installée avec des dégagements et une géométrie relative au tuyau d'admission d'air, comme c'est décrit dans cette section, afin d'assurer que des produits de fumée n'entrent pas dans l'admission d'air de combustion.

AVERTISSEMENT

L'installation doit se faire en conformité avec les normes locales, ou à défaut, avec la *norme américaine sur le gaz combustible, ANSI Z223.1/NFPA 54*, ou la *norme canadienne sur les installations au gaz naturel et au propane, CSA B149.1*.

N'utilisez PAS de matériaux de tuyauterie à base de PVC à noyau cellulaire, CPVC, Radel, ABS ou matériau galvanisé pour le conduit d'évacuation. Les ventilations **DOIVENT** être **UNIQUEMENT** en tuyauterie à noyau plein.

AVERTISSEMENT

N'utilisez que des matériaux listés dans cette section pour ventilation, tuyau d'admission d'air et raccords (Consultez le Tableau sur les matériaux pour tuyauterie de ventilation et d'admission d'air). Ne pas respecter cette mise en garde peut conduire à des dégâts matériels, des blessures corporelles, ou même la mort.

AVERTISSEMENT

Si une cheminée en maçonnerie est utilisée, elle **NE PEUT SERVIR QUE** comme **PUITS DE PASSAGE UNIQUEMENT** pour les tuyaux d'évacuation et d'admission d'air de combustion. La tuyauterie d'évacuation et d'air doit être installée comme indiqué dans ce manuel. Le puits de cheminée ne doit être utilisé que comme puits d'évacuation de chauffe-eau Rinnai. **AUCUN AUTRE** appareil ou foyer ne doit être connecté à ce puits de cheminée. Les matériaux de tuyauterie d'évacuation et d'air doivent être conformes à ces instructions. Le puits de cheminée doit être équipé d'une ouverture d'accès scellée pour faciliter l'inspection à l'intérieur. Le puits de cheminée (et son revêtement intérieur s'il y a lieu) est à inspecter annuellement pour déceler toute dégradation éventuelle. Ne pas respecter cette démarche peut conduire à des dégâts matériels, des blessures corporelles, ou même la mort.

AVIS

Si les configurations de tuyauterie pour ventilation et/ou admission d'air couvertes dans ce manuel ne peuvent pas être appliquées à une installation spécifique, contactez le group d'ingénierie d'applications chez Rinnai pour de l'assistance. D'autres configurations peuvent être disponibles.

Besoins pour installation de ventilation à tuyau double en PVC/CPVC :

- Tous les ensembles de kit de ventilation concentrique PVC/CPVC IPEX (CVK) sont certifiés ULC S636. Quant une conformité ULC S636 est nécessaire, n'utilisez que du tuyau, des raccords et du ciment Système 636 à la connexion de terminaison.
- N'utilisez **PAS** de PVC/CPVC sur des appareils sans condensation.
- **Ne faites PAS** fonctionner le chauffe-eau avant que la ventilation ne soit complètement installée et que tous les solvants et colles aient durci.
- Tout matériau de PVC/CPVC en ventilation d'évacuation utilisé au Canada doit être certifié S636.

Pour plus de détails sur le matériau PVC/CPVC de ventilation listé (tableau ci-dessous), référez-vous au manuel d'installation du fabricant de ce PVC/CPVC.

IMPORTANTES CONSIDÉRATIONS POUR L'EMPLACEMENT :

- Placez l'évent de sortie à un endroit où les gaz de fumée ne porteront pas atteinte aux plantes des alentours et/ou à de l'équipement de refroidissement.
- Évitez de placer l'évent où des vents dominants pourraient affecter la performance du chauffe-eau ou provoquer une recirculation des gaz de fumée.
- Ne terminez PAS la ventilation au-dessus d'une voie publique ou d'une zone où des condensats ou de la vapeur pourrait causer une nuisance/un risque, ou si des condensats pourraient être néfaste pour le fonctionnement d'équipements comme des

régulateurs ou des soupapes de décharge.

- Les gaz de fumées de chauffe-eau doivent être sortis de l'appareil vers l'extérieur par tuyau, l'installateur DOIT respecter les instructions fournies ici et dans le manuel le plus récent du chauffe-eau, ainsi que toutes les normes applicables.
- L'évacuation et l'air de combustion doivent avoir leurs terminaisons au travers du même mur latéral ou du toit, en étant dans la même zone de pression avec la même orientation.
- Le tuyau de ventilation doit se terminer soit au travers d'un mur latéral soit au travers du toit, les ouvertures des terminaisons d'évacuation/échappement et/ou d'admission d'air devant respecter les dégagements indiqués dans le diagramme sur les Dégagements autour de la terminaison de ventilation directe.
- Chaque chauffe-eau à condensation sans réservoir nécessite un système de ventilation individuel.
- Si une évacuation commune est nécessaire, reportez-vous au manuel d'installation Rinnai commune Vent (dernière révision) pour obtenir des instructions sur la méthode de ventilation spécifique admissible ainsi que de vérifier les modèles sans réservoir peut être commun ventilé.
- Pour l'utilisation de l'installation de tuyaux double seulement 3" ou 4" PVC / CPVC.
- Les terminaisons doivent être installées 12 po au-dessus du sol ou du niveau de neige anticipé.

Matériaux pour tuyauterie de ventilation et d'admission d'air

Article	Matériau	Norme d'installation en Amérique du Nord	
		États-Unis	Canada
Matériaux de tuyauterie thermoplastique			
Tuyaux et raccords de ventilation et d'air de combustion	PVC qualité 40	ANSI/ASTM D1785	Le tuyau de ventilation thermoplastique doit être certifié ULC S636. Le tuyau d'admission peut être de n'importe quel matériau listé ci-contre.
	PVC-DWV	ANSI/ASTM D2665	
	CPVC qualité 40	ANSI/ASTM F441	
Ciment et apprêt pour tuyau PVC	PVC	ANSI/ASTM D2564	
	CPVC	ANSI/ASTM F493	
Grillages aviaires IPEX (achetés à part)			
Grillages pour terminaison de ventilation	Polyéthylène	Grillage de ventilation 3" : IPEX N° de pièce 196051 ; Grillage de ventilation 4" : IPEX N° de pièce : 196052 (Ces grillages sont insérés par friction à l'intérieur des bouts de raccord de terminaison).	

REMARQUE

L'évent, les raccords, la terminaison, le nettoyant et la colle listés sont tous certifiés comme partie intégrante du système de ventilation de chauffe eau à condensation sans réservoir.



À défaut d'installer correctement les tuyaux pour ventilation et admission d'air du chauffe-eau dans l'atmosphère comme c'est expliqué dans cette section sur la ventilation, il peut en résulter la mort par asphyxie (par le monoxyde de carbone), un départ d'incendie ou une explosion. Ne faites **JAMAIS** fonctionner le chauffe-eau sans une ventilation appropriée (évent et admission d'air de combustion). Inspectez toujours le chauffe-eau lui-même, le tuyau d'admission d'air de combustion, et tout le système de ventilation qui lui sont reliés, pour vérifier que l'installation est correcte, au moment de la mise en service, et au moins annuellement par la suite.

IMPORTANTES CONSIDÉRATIONS POUR L'EMPLACEMENT (Suite) :

Diamètres et longueurs maximales des tuyaux pour évacuation et admission d'air de combustion :

- Pour des systèmes de ventilation en PVC/CPVC, réduisez la longueur maximale autorisée pour chaque coude et type de terminaison utilisés comme suit :
 - ◇ 2,5 pieds pour chaque coude à 45°.
 - ◇ 5 pieds pour chaque coude à 90°.
 - ◇ Terminaison (Référez-vous au tableau des Composants approuvés pour ventilation dans cette section)
- Les diamètres des tuyaux de ventilation et d'admission d'air de combustion doivent être comme c'est spécifié dans les tableaux de longueur équivalente maximale dans ce document.
- Ne dépassez pas les longueurs maximales de tuyau pour ventilation et d'admission d'air de combustion (Ces longueurs sont spécifiques aux modèles et au type de carburant).

Détermination de la longueur équivalente du système complet

Il y a deux options pour déterminer les longueurs/composants de ventilation nécessaires pour l'installation.

Option 1 : L'installateur peut utiliser la fiche de calcul de longueur de ventilation (en bas de page), en y entrant la quantité de composants au fur et à mesure afin d'obtenir des longueurs équivalentes de ventilation.

Option 2 : L'installateur peut utiliser les tableaux de longueurs maximales de ventilation des pages suivantes pour déterminer la valeur de tuyau droit pouvant être utilisé avec un type de terminaison et une quantité de coudes spécifiques.

OPTION 1 :

Calcul de longueurs équivalentes pour le système de ventilation :

Choisissez le type de ventilation et remplissez la feuille de calcul ci-dessous. Pour déterminer la longueur équivalente de ventilation

et d'air de combustion, ajoutez 5 pieds pour chaque coude à 90°, et 2,5 pieds pour chaque coude à 45°.

Exemple de calcul (en supposant des tuyaux de diamètre 3" et un chauffe-eau au gaz naturel) :

- Tuyaux jumelés (parallèles) avec terminaison à tube
- Longueur de tuyau pour air de combustion : 16 pieds de tuyau droit avec 2 coudes à 90°
- Longueur de tuyau d'évacuation : 16 pieds de tuyau droit avec 2 coudes à 90° (**incluant l'ensemble des coudes à l'intérieur et à l'extérieur**)
- Terminaison à tube : 15 pieds d'équivalence (se référer au tableau des Composants approuvés pour ventilation)

Calcul :

- Longueur équivalente de tuyau pour air de combustion : $[16+(2 \times 5)+10] = 41$ pieds
- Longueur équivalente de ventilation : $[16+(2 \times 5)+15] = 41$ pieds
- Total = 41 pieds pour les tuyaux d'évacuation comme d'admission, ce qui représente la longueur maximale permise avec du PVC/CPVC de diamètre 3" et un chauffe-eau au gaz naturel. S'il vous fallait des longueurs plus importantes, passez à une configuration en tuyau de 4" de diamètre qui est certifiée pour jusqu'à 100 pieds de longueur équivalente.

ATTENTION

Les longueurs équivalentes maximales de ventilation sont spécifiques au type de carburant du chauffe-eau. Il est impératif de prendre en considération ce qui suit pour les calculs de ventilation :

Type de Ventilation	Equivalent Maximal Longueur d'é-vent
3" PVC/CPVC	41 pieds (12,5 m)
Concentrique PP	41 pieds (12,5 m)
4" PVC/CPVC	100 pieds (30, 5 m)
Tuyaux jumelés PP (Centrotherm)	41 pieds (12,5 m)

Feuille de calcul de longueur équivalente de ventilation

Type de raccord / terminaison	Nombre de raccords		Longueur équivalente de ventilation		Longueur totale équivalente
1) Coude à 90°	3	x	5	=	15
2) Coude à 45°		x	2.5	=	0
3) Terminaison IPEX profil bas		x	5	=	0
4) Terminaison IPEX concentrique 4"		x	20	=	0
5) Terminaison IPEX concentrique 3"		x	20	=	0
6) Terminaison Royal concentrique 3"		x			
7) Terminaison Royal profil bas		x			
8) Terminaison par té 3"		x	5	=	0
9) Terminaison par té 4"		x	5	=	0
10) Terminaison par tube 3"	1	x	15	=	15
11) Terminaison par tube 4"		x	15	=	0
12) Longueur de section droite en pieds	NA		40	=	40
Total (addition des lignes 1 à 10)					70

(Une copie vierge de cette fiche de calcul de la longueur équivalente de ventilation se trouve en fin de cette section)

Assurez-vous que le micro-commutateur SW1 dans DIPSW 1 est bien en position ARRÊT si la longueur de ventilation dépasse 21 pieds (6,4 m).

OPTION 2:**Tableaux de longueur de ventilation équivalente maximale :**

Déterminez le nombre de coudes à 90 degrés dans le système de ventilation (Deux coudes à 45 degrés comptent comme un coude à 90 degrés). Reportez-vous à ce tableau pour trouver la longueur maximale de ventilation compte tenu du nombre de coudes et du style de terminaison.

Longueur totale équivalente de ventilation (admission/sortie) avec des tuyaux jumelés en PVC/CPVC de 3"

Longueur maximale de ventilation	41 pieds (12,5 m)			
Type de terminaison	Kit IPEX de ventilation concentrique	Terminaison à tube snorkel	Terminaison par té sur mur de côté	Terminaison à profil bas IpeX ou Royal
Longueur équivalente de terminaison en pieds (mètres) (Déjà comptée dans les longueurs de tuyau droit ci-dessous)	20 (6.1)	15 (3.0)	5 (1.5)	5 (1.5)
Nombre de coudes à 90° (chacun équivalent à 5 pieds)	Longueur maximale de tuyau droit de ventilation en pieds (mètres)			
0	21 (6.4) **	26 (7.9) **	36 (11.0) **	36 (11.0) **
1	16 (4.9) **	21 (6.4) **	31 (9.4) **	31 (9.4) **
2	11 (3.4) **	16 (4.9) **	26 (7.9) **	26 (7.9) **
3	6 (1.8) **	11 (3.4) **	21 (6.4) **	21 (6.4) **
4	-	6 (1.8) **	16 (4.9) **	16 (4.9) **
5	-	1 (0.4) **	11 (3.4) **	11 (3.4) **
6	-	-	6 (1.8) **	6 (1.8) **

Longueur totale équivalente de ventilation (admission/sortie) avec des tuyaux jumelés en PVC/CPVC de 4"

Longueur maximale de ventilation	100 pieds (30,5 m)			
Type de terminaison	Kit IPEX de ventilation concentrique	Terminaison à tube snorkel	Terminaison par té sur mur de côté	Terminaison à profil bas
Longueur équivalente de terminaison en pieds (mètres) (Déjà comptée dans les longueurs de tuyau droit ci-dessous)	20 (6.1)	15 (3.0)	5 (1.5)	5 (1.5)
Nombre de coudes à 90° (chacun équivalent à 5 pieds)	Longueur maximale de tuyau droit de ventilation en pieds (mètres)			
0	80 (24.4) **	85 (25.9) **	95 (29.0) **	95 (29.0) **
1	75 (22.9) **	80 (24.4) **	90 (27.4) **	90 (27.4) **
2	70 (21.3) **	75 (22.9) **	85 (25.9) **	85 (25.9) **
3	65 (19.8) **	70 (21.3) **	80 (24.4) **	80 (24.4) **
4	60 (18.3) **	65 (19.8) **	75 (22.9) **	75 (22.9) **
5	55 (16.8) **	60 (18.3) **	70 (21.3) **	70 (21.3) **
6	50 (15.2) **	55 (16.8) **	65 (19.8) **	65 (19.8) **

**Le micro-commutateur SW1 dans DIPSW 1 est sur ARRÊT pour des longueurs égales ou supérieures à 21 pieds (6,4 m).

**ATTENTION!**

Les longueurs équivalentes maximales de ventilation sont spécifiques au type de carburant du chauffe-eau sans réservoir. Il est impératif lors des calculs de longueur équivalente maximale de prendre le type de gaz en considération.

Installation de la tuyauterie PVC/CPVC de ventilation et admission d'air :

Configurations d'installation d'adaptateur :

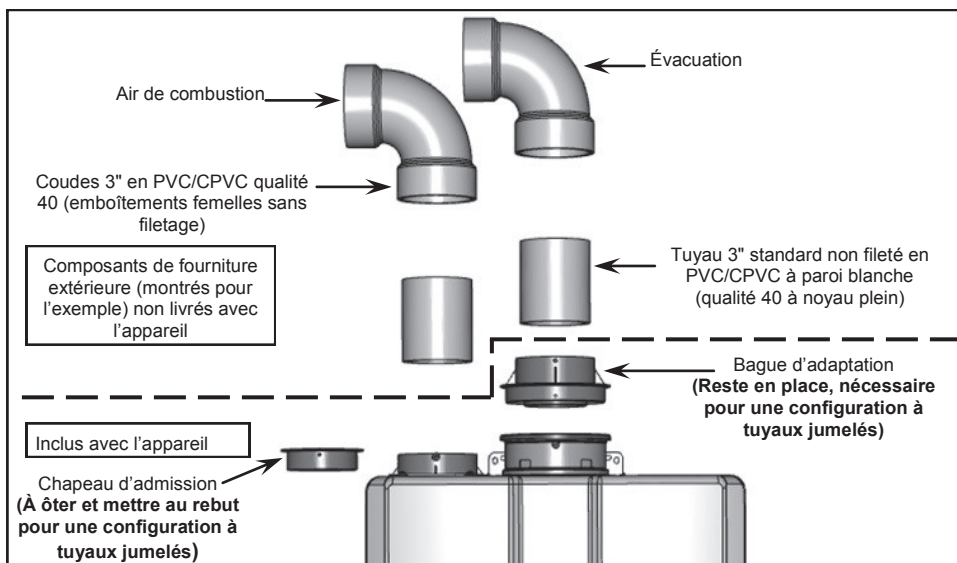
Notez la position correcte de l'entrée d'air de combustion et de la sortie de gaz de fumées, car elles ne sont **PAS** interchangeables. Pour connaître la position correcte et la conception de la tuyauterie jumelée de sortie de gaz de fumées et d'entrée d'air de combustion, référez-vous aux instructions d'installation dans ce manuel.

⚠ ATTENTION

NE PAS Employer de colle à PVC, solvants ou produits nettoyants sur les connexions d'admission et évacuation

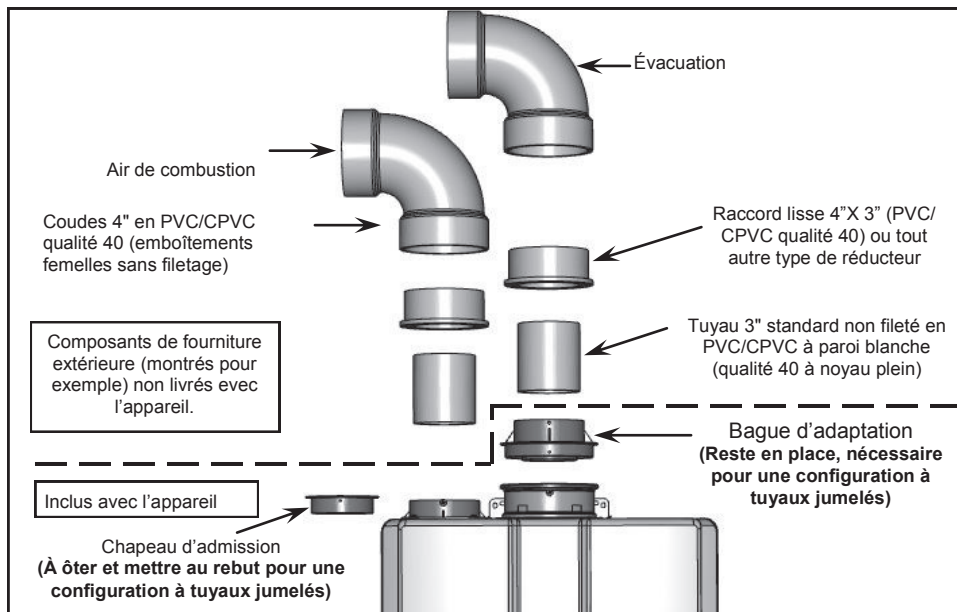
Pièces nécessaires pour la configuration de montage en PVC/CPVC de 3"

Les chauffe-eau de série RUCS ne nécessitent pas de pièces additionnelles avec des tuyaux standard de 3" standard à noyau plein de finition extérieure ; référez-vous à l'illustration ci-dessous pour les pièces nécessaires à la configuration de montage en PVC/CPVC de 3".



Pièces nécessaires pour la configuration de montage en PVC/CPVC de 4"

Par contre les chauffe-eau de série RUCS nécessitent l'utilisation de 2 raccords additionnels (4"x 3" lisse – En PVC qualité 40) pour une configuration de montage à tuyaux PVC/CPVC de 4" (référez-vous à l'illustration ci-dessous).



⚠ AVERTISSEMENT

Le non-assembler correctement les composants en fonction de ces instructions peut entraîner des dommages matériels, des blessures ou la mort.

Options de terminaison de ventilation en PVC/CPVC certifiées

Configurations de terminaison de ventilation

Il existe 4 configurations de terminaisons de ventilation qui sont approuvées avec les chauffe-eau de série RUCS :

1. Terminaison concentrique (Kit IPEX de ventilation concentrique) – Permet de ne réaliser qu'une pénétration à l'intérieur d'un mur ou du toit.
2. Terminaison par snorkel – Permet un meilleur dégagement au-dessus du sol s'il est nécessaire de terminer à un point plus bas.
3. Terminaison par té sur mur de côté.
4. Terminaison IPEX à profil bas – Utilisée uniquement pour une application affleurante sur mur de côté.

Installation d'une terminaison

- La tuyauterie d'évacuation et d'air de combustion doit être solidement fixée sur la structure tous les 4 pieds (1,2 m), pour assurer que les dimensions montrées dans les illustrations de ce document sont bien respectées.
- N'attachez **PAS** une ventilation verticale trop étroitement car elle doit rester libre de bouger un peu en cas d'expansion et de contraction.
- Les attaches seront de fourniture locale. Utilisez des attaches, des colliers ou des dispositifs équivalents qui n'entailleront ou n'endommageront pas le tuyau. Il faut tenir compte d'une expansion/contraction entre le chauffe-eau et le point de terminaison.
- Toutes les pénétrations doivent être scellées en respectant les normes de construction locales. Le colmatage des terminaisons sur mur de côté et des solins en cas de pénétration par le toit est particulier. N'utilisez que du matériau d'étanchéité compatible avec le PVC/CPVC. Contactez le fabricant de la tuyauterie en PVC/CPVC pour avoir une liste des matériaux de scellement compatibles.

Installation du kit IPEX de ventilation concentrique (CVK) Installation

- Pour des installations à terminaisons multiples, maintenez des dégagements appropriés entre leurs terminaisons (Référez-vous au schéma pour les dégagements autour du kit IPEX de ventilation concentrique).
- La longueur de tuyaux du kit de ventilation concentrique peut être raccourcie, dans la mesure où les procédures de coupe et de collage suivent les consignes du Système 636. Référez-vous aux instructions d'installation d'IPEX pour plus d'informations.
- Des tronçons de tuyau ou des raccords **NE** peuvent **PAS** être ajoutés au support du chapeau pare-pluie pour écarter les gaz d'évacuation.



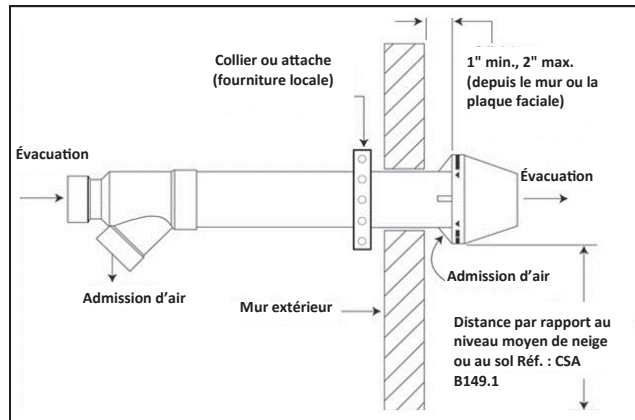
AVERTISSEMENT

L'humidité dans le gaz de combustion se condense à sa sortie de la sortie d'évacuation. Par temps froid, ce condensat peut geler sur le mur extérieur, sous les combles, et sur les objets environnants. Une décoloration à l'extérieur du bâtiment est à prévoir. Cependant, la situation ou une mauvaise installation peut entraîner des dommages à la structure ou la finition extérieure du bâtiment.

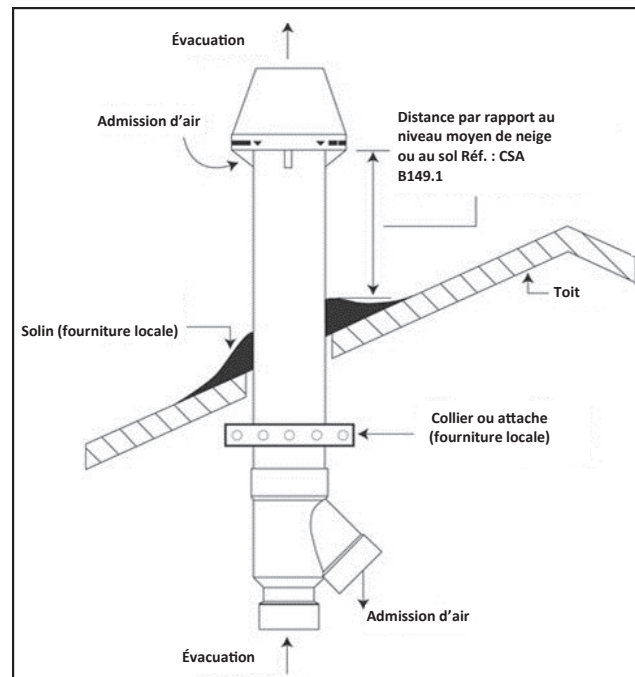


AVERTISSEMENT

Danger d'incendie ou de blessures - ciments et des amorces de solvants sont très inflammables. Assurer une ventilation adéquate et ne pas assembler près d'une source de chaleur ou de flammes nues. Ne pas fumer. Éviter le contact avec la peau ou les yeux. Respectez tous les avertissements et mises en garde sur les contenants de matériaux.



Terminaison dans un mur



Terminaison par le toit

Options de terminaison de ventilation en PVC/CPVC certifiées (Suite)

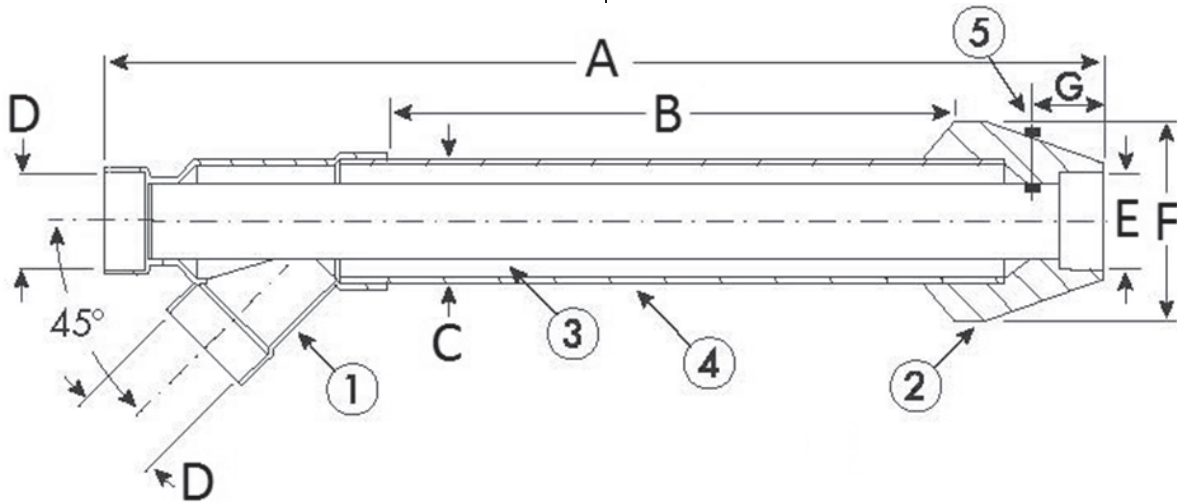
Ensemble de kit IPEX de ventilation concentrique (Système 636) :

1. Une fois l'emplacement approprié déterminé, découpez un trou dans le toit ou dans un mur assez gros pour laisser passer le tuyau extérieur. La taille du trou peut varier considérablement en fonction de la pente du toit.
2. En suivant les procédures décrites, collez le tuyau intérieur par ciment au solvant au raccord Wye concentrique.
3. Collez le tuyau extérieur par ciment au solvant au raccord Wye concentrique.
4. Glissez l'ensemble au travers de la pénétration dans le toit ou dans le mur (Installez un solin si nécessaire).
5. Pour fixer de manière permanente le chapeau pare-pluie, il faut le coller par ciment au solvant sur le tuyau intérieur. Pour des installations où le démontage du chapeau peut être nécessaire pour du service ou son nettoyage, il peut être fixé mécaniquement (consultez les instructions). Quelle que soit la méthode d'installation du chapeau, le tuyau extérieur n'a qu'un ajustement par friction avec le chapeau.

CHAPEAU PARE-PLUIE FIXÉ MÉCANIQUEMENT :

Le chapeau pare-pluie peut être installé avec la vis et le contre-écrou en acier inox qui sont fournis, en suivant les instructions et les indications du schéma qui suit.

1. Localisez l'amorce de l'emplacement du perçage sur l'extérieur du chapeau pare-pluie.
2. À cet endroit percez au travers du chapeau et dans la paroi du tuyau intérieur. Assurez-vous que le trou est bien perpendiculaire au tuyau intérieur et **NON** à l'extérieur du chapeau. Pour le kit en 3", percez un trou de 3/16", pour le kit en 4" percez un trou de 1/4". Nettoyez tous les débris qui en résultent.
3. Insérez une vis et serrez, mais **NE SERREZ PAS AVEC EXCÈS**.

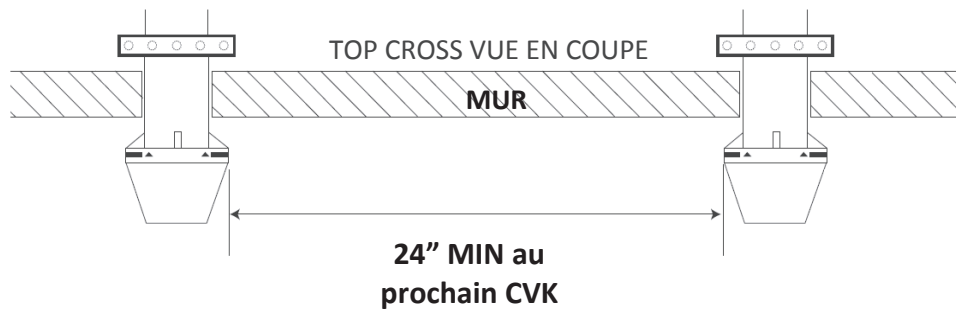


Données physiques de terminaison de tuyaux jumelés à concentrique

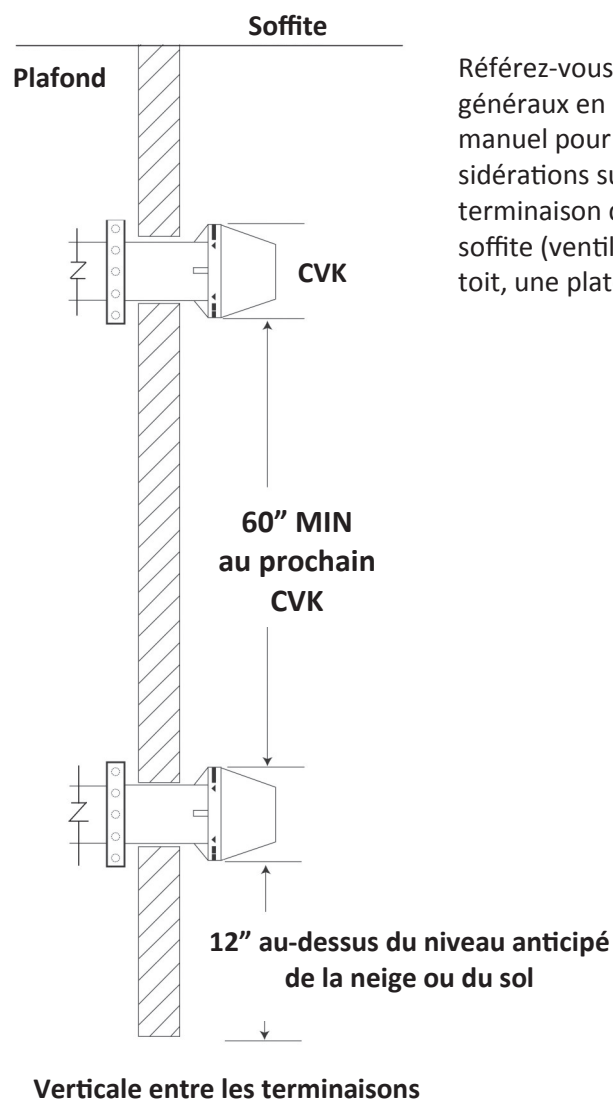
Kits de ventilation concentrique Système 636 Le kit de terminaison comprend :		Taille nominale de tuyau (Dimensions en pouces)						
Article	Kit concentrique	A	B*	C+	D	E	F	G
196006	3" x 20" PVC	36.1	20	4.5	3	3	8.75	2.25
196021	4" x 36" PVC	56	37.3	6.62	4	4	10	3.5
197009	3" x 20" CPVC	36.1	20	4.5	3	3	8.75	2.25
197021	4" x 36" CPVC	56	37.3	6.62	4	4	10	3.5
1 Wye – (Concentrique) 2 Chapeau pare-pluie 3 Tuyau de ventilation d'évacuation (Intérieur) 4 Tuyau d'admission d'air frais (Extérieur) 5 Vis et écrou en acier inox		B* Dimension pouvant être raccourcie à 12" au minimum. Le tuyau intérieur (Article 3) doit rester "F" pouces plus long que le tuyau extérieur (Article 4). Coupez le tuyau bien droit et collez au ciment au solvant comme expliqué dans le manuel d'installation du Système 636. C+ La découpe d'installation doit être d'au moins 1/2" plus grande que la dimension "C". Le prolongement des dispositifs n'est pas autorisé.						

DÉGAGEMENTS POUR KIT IPEX DE VENTILATION CONCENTRIQUE (CVK) :

DÉGAGEMENT DE VENTILATION ACCEPTABLES POUR TERMINAISON DE KIT IPEX DE VENTILATION CONCENTRIQUE (CVK)



DEUX TERMINAISONS DE VENTILATION OU PLUS AU MÊME NIVEAU

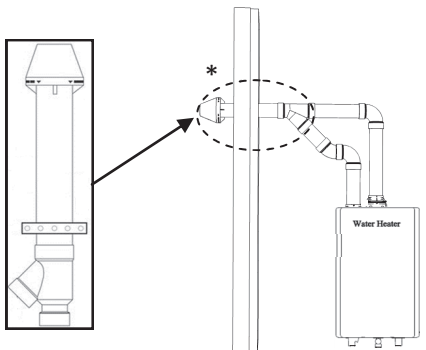
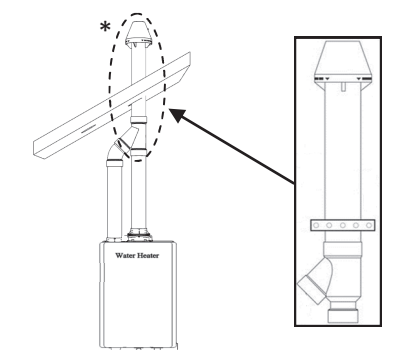
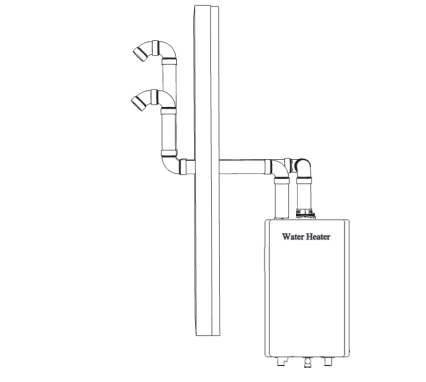
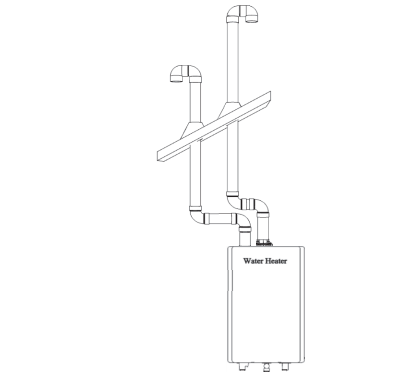
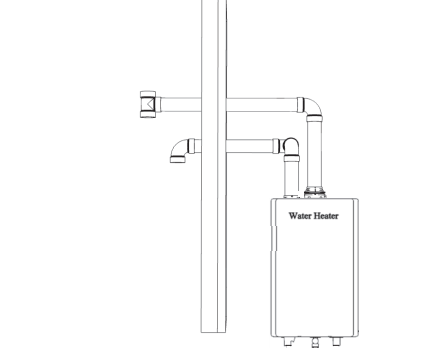
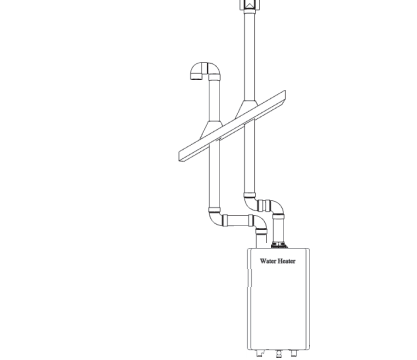
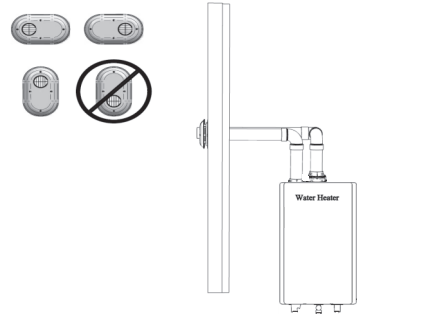


Référez-vous à la section "Besoins généraux en dégagements" de ce manuel pour d'importantes considérations sur la localisation de la terminaison de ventilation sous un soffite (ventilé ou non), un avant-toit, une plate-forme ou un porche.

REMARQUE

L'espacement des ventilations décrit ci-dessus est **EXCLUSIVEMENT** spécifique au kit de ventilation concentrique IPEX PVC/CPVC- FGV. Pour l'espacement requis avec d'autres types de terminaison, référez-vous aux pages qui suivent de ce manuel.

Tableau 8 : Configurations de ventilations en PVC/CPVC approuvées

<p>3 "ou 4" PVC / CPVC IPEX Système 636 ou 3" Royal Concentric latéral mur Configuration de terminaison</p>	<p>Cette configuration nécessite l'utilisation de la résiliation IPEX ou Royal de ventilation concentrique</p> 	<p>3 "ou 4" PVC / CPVC IPEX Système 636 ou 3" Royal Concentric verticaux Configuration de terminaison</p>	<p>Cette configuration nécessite l'utilisation de la résiliation IPEX ou Royal de ventilation concentrique</p> 
<p>Configuration de terminaison à snorkel en PVC/CPVC de 3 ou 4"</p>		<p>Configuration de terminaison standard type "U" vertical renversé en PVC/CPVC de 3 ou 4"</p>	
<p>Configuration de terminaison par té sur mur de côté en PVC/CPVC de 3 ou 4"</p>		<p>Configuration de terminaison verticale par té en PVC/CPVC de 3 ou 4"</p>	
<p>Configuration de terminaison à profil bas en PVC/CPVC de 3 ou 4"</p>		<div style="border: 1px solid black; padding: 5px;"> <p>⚠ ATTENTION</p> <p>* Échappement et l'air de combustion NE DOIT PAS être réunis dans un tuyau de PVC en utilisant une seule étoile.</p> </div>	

SÉQUENCE D'INSTALLATION DE VENTILATION

1. Installez le chauffe-eau.
2. Déterminez la méthode de terminaison – mur de côté ou verticale, concentrique, tuyaux séparés, etc.
3. Déterminez le bon endroit pour la pénétration de mur ou de toit pour chaque terminaison.
4. Installez un ensemble de terminaison comme c'est décrit dans ce manuel.
5. Installez la tuyauterie d'admission d'air et d'évacuation de fumées depuis le chauffe-eau jusqu'à la terminaison.
6. Inclinez le tronçon horizontal d'évacuation vers le chauffe-eau de 1/4" par pied (1 cm/30 cm). **N'inclinez PAS** le tuyau d'air de combustion vers le chauffe-eau. Assurez-vous de mettre les condensats au rebut en respectant les normes locales.
7. Installez des supports et attaches de tuyaux tous les 4 pieds (1,2m) en laissant une latitude de mouvement pour une expansion, ou selon les exigences de la norme locale.

Options de terminaison de ventilation en PVC/CPVC certifiées (Suite)

Kits de terminaison profil bas de ventilation en 3" et 4"

Les informations qui suivent sont à utiliser en conjonction avec le Guide d'installation du Système 636 d'IPEX :

- Les kits de terminaison ont été testés et certifiés pour une utilisation avec le système de tuyau-raccord-ciment qui doit être utilisé dans l'application. La terminaison IPEX à profil bas est totalement certifiée pour une utilisation avec le produit IPEX uniquement.
- Les kits de ventilation en PVC à profil bas du Système 636 sont spécifiés pour 65 °C au maximum et sont fabriqués à partir d'un composé certifié.
- Tous les kits de terminaison doivent être positionnés et installés en conformité avec ces instructions, la norme locale de construction, et la norme CSA B149.1 sur les Installations au gaz naturel et au propane.

Installation :

Une fois l'emplacement déterminé, découpez 2 trous de taille appropriée dans le mur pour recevoir les tuyaux (Référez-vous au tableau ci-dessous donnant les dimensions pour kit de terminaison profil bas).

Faites glisser les tuyaux d'admission et d'évacuation au travers de ces trous. Fixez les deux tuyaux (en utilisant du ciment à base de solvant) sur la base du kit de terminaison de ventilation (Assurez-vous de bien suivre les consignes de collage par ce ciment telles que décrites dans le Guide d'installation du Système 696).

Utilisez les vis et chevilles fournies pour fixer la base sur le mur (un trou de 3/16" de profondeur 1-3/16" sera nécessaire pour les chevilles). Utilisez la base comme gabarit pour localiser le trou pour cheville.

En utilisant les vis fournies, fixez le chapeau sur la base.

À la fixation de la terminaison de ventilation et des tuyaux, scellez les pénétrations dans le mur (depuis l'intérieur) en utilisant un matériau d'étanchéité compatible avec le PVC.



AVERTISSEMENT

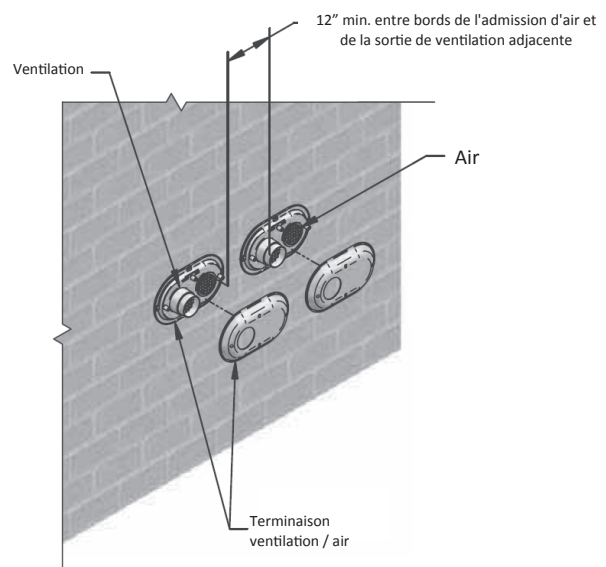
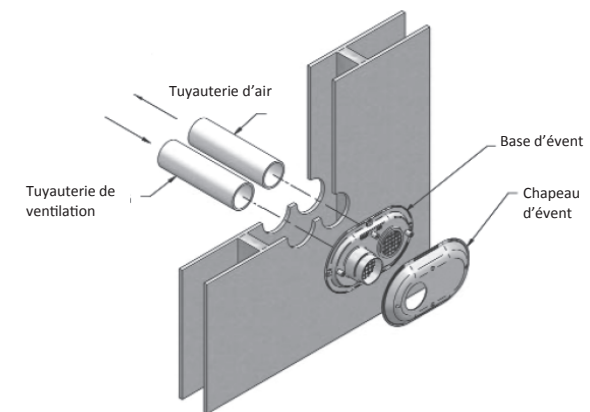
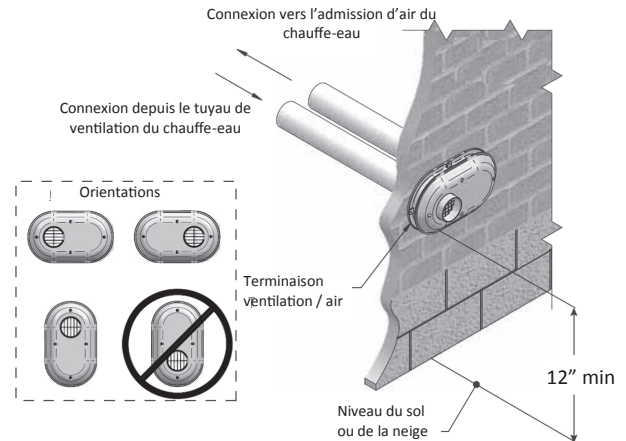
Tous les tuyaux d'évacuation et les entrées d'air doivent se terminer à la même hauteur pour éviter des dommages matériels, des blessures corporelles ou la mort.

IPEX profil bas terminaison kits-Dimensions

Article	Description	Diamètre extérieur de tuyau	Écartement entre trous (centre à centre)
196985	Kit de ventilation 3" à montage affleurant	3.5"	5.6"
196986	Kit de ventilation 4" à montage affleurant	4.5"	5.6"

Contenu du kit

Qté	Description
1	Base (deux trous)
1	Chapeau (un trou)
8	Vies en acier inox
4	Chevilles en plastique



Options de terminaison de ventilation en PVC/CPVC certifiées (Suite)

Terminaisons à tuyaux jumelés (PVC/CPVC)

Terminaisons PVC/CPVC sur mur de côté (Té et snorkel)

Localisez la terminaison de ventilation et d'admission d'air en suivant ces consignes :

1. La longueur totale de tuyauterie pour ventilation ou admission d'air ne doit pas dépasser les limites données dans les tableaux de longueur équivalente maximale pour la ventilation. La longueur équivalente pour des coudes à 90° et une terminaison associés avec la ventilation et l'admission d'air concernées DOIT être soustraite de la longueur totale indiquée dans ces tableaux de longueur maximale équivalente.
2. Spécifiquement pour une terminaison par té sur mur latéral, la tuyauterie de ventilation et d'admission d'air doit se terminer sur la surface extérieure de ce mur, à au moins 1" (2,5 cm) entre le mur, le té et l'extrémité de tulipe de coude.
3. La terminaison doit être installée 12" (30,5 cm) au-dessus du sol ou du niveau anticipé de neige le plus haut.
4. Référez-vous au tableau de Dégagements pour terminaison de ventilation pour la position recommandée de la terminaison de ventilation/air de combustion.

REMARQUE

Si la ventilation est interrompue sur une paroi latérale qui est soumise à des vents violents, il est recommandé de mettre fin à l'évent en utilisant un tee-shirt. Un tee fournit la meilleure protection contre le vent.

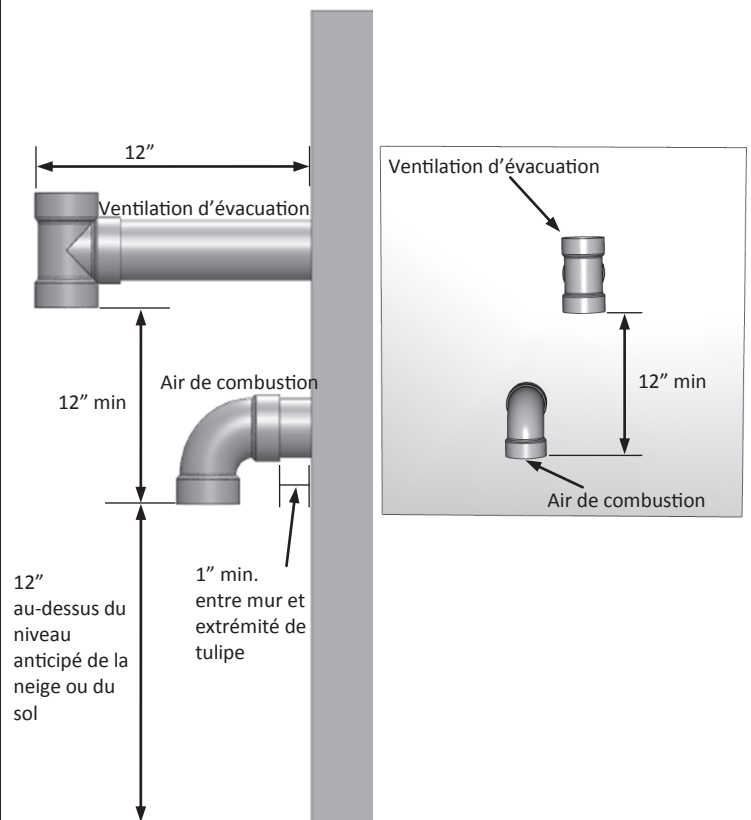
5. Le tuyau d'admission d'air doit se terminer à l'écart de la terminaison de ventilation. Les deux terminaisons de ventilation et d'admission d'air doivent être installées à au moins 12" (30,5 cm) au-dessus du sol ou du niveau de neige le plus haut anticipé, comme c'est montré sur les figures ci-contre à droite.

⚠ AVIS

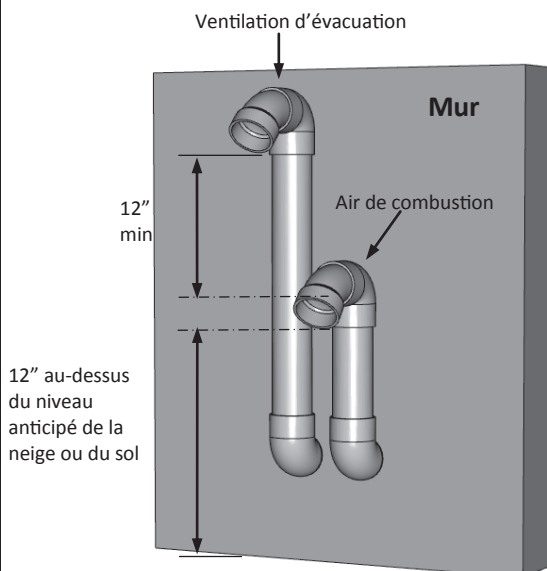
La méthode informations et des chiffres représentant de mettre fin aux tubulures d'admission d'air de ventilation et de combustion sont directement liés à des systèmes de ventilation en PVC / CPVC. Lors de l'utilisation d'une méthode autre qu'un système évent PVC / CPVC il peut y avoir quelques variations. Consultez le fabricant de l'évent respectif ou le manuel du chauffe-eau pour des recommandations et des précisions.

⚠ AVIS

Pente échappement horizontal tuyauterie vers le bas vers le chauffe-eau d'un minimum de 1/4 de pouce par pied. NE PAS pente air de combustion tuyauterie vers le bas vers le chauffe-eau. Disposer de condensat par les codes locaux.



Terminaison avec té pour tuyauterie de ventilation et d'air de combustion sur mur de côté



Terminaison avec snorkel pour tuyauterie de ventilation et d'air de combustion sur mur de côté

(Photo représenté ici est uniquement à titre d'illustration; longueur équivalente énumérés est basé sur le pire scénario de 3 X 90° Coudes)

Options de terminaison de ventilation en PVC/CPVC certifiées (Suite)

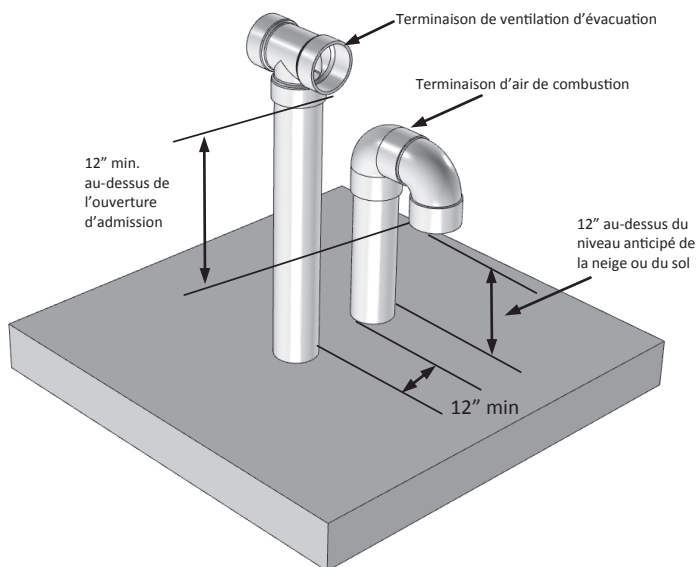
REMARQUE

Toutes les figures montrées dans cette section sont relatives à des toits plats. Pour les hauteurs de ventilation au travers d'un toit incliné, référez-vous à NFPA 54/ANSI Z223.1-09 (tableau et figure 12.7.2), CSA B149.1-10 (figure 8.1) – Schéma de dégagements pour toit incliné (ce manuel).

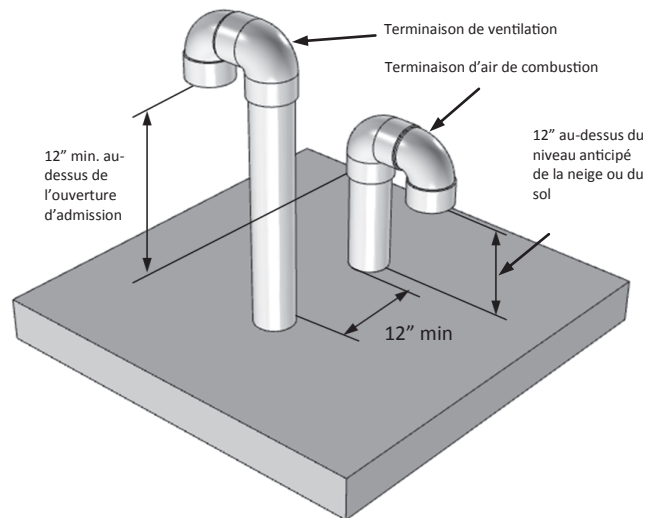
Terminaisons de toit en PVC/CPVC (Té et "U" renversé) :

Localisez les terminaisons de ventilation et d'admission d'air en suivant ces consignes :

1. La longueur totale de tuyauterie pour ventilation ou admission d'air ne doit pas dépasser les limites données dans les tableaux de longueur équivalente maximale pour la ventilation. La longueur équivalente pour des coudes à 90° et une terminaison associés avec la ventilation et l'admission d'air concernées DOIT être soustraite de la longueur totale indiquée dans ces tableaux de longueur maximale équivalente.
2. Pour des terminaisons de toit installées comme montré dans la figure de droite, la tuyauterie d'admission d'air doit être terminée en utilisant un té ou une combinaison de coudes. La terminaison doit être installée 12" (30,5 cm) au-dessus du niveau anticipé de neige le plus haut.
2. La ventilation doit se terminer verticalement avec un couplage pour faciliter le grillage aviaire et doit être installée 12" (30,5 cm) au-dessus de l'entrée d'air de combustion.
3. Les terminaisons de ventilation et d'admission d'air doivent être situées à une distance radiale d'au moins 12" (30,5 cm) entre paroi extérieure de terminaison de ventilation et paroi extérieure de terminaison d'admission d'air.



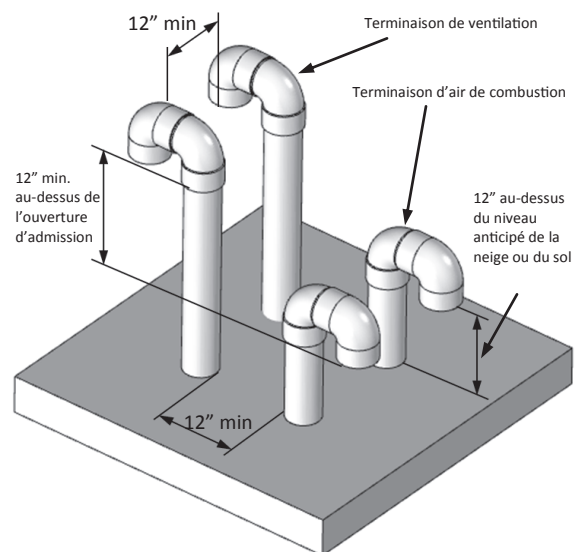
Terminaison verticale de ventilation avec té et tuyau d'air de combustion



Terminaison verticale de ventilation avec U renversé et tuyau d'air de combustion

Installation de plusieurs chauffe-eau – Au travers du Localisez la terminaison de ventilation et d'admission d'air en suivant ces consignes :

1. Pour des installations avec plusieurs chauffe-eau sans réservoir, référez-vous à la Figure 16 pour le bon positionnement de la tuyauterie d'évacuation et d'air de combustion.
2. La pénétration dans le toit de la tuyauterie d'évacuation et d'air de combustion doit se faire pour que l'admission d'air de combustion soit à au moins 12" (30,5 cm) du tuyau de ventilation adjacent d'un autre chauffe-eau. Pour des installations aux USA, référez-vous à la Figure 18. Pour des installations au Canada, référez-vous aux dégagements demandés par la norme CAN/CSA B149.1.



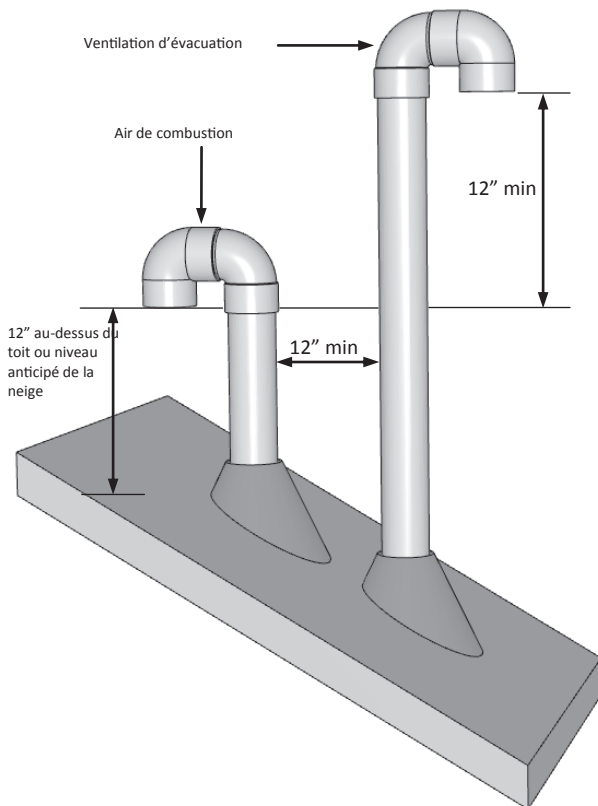
Terminaison verticale de plusieurs chauffe-eau

Options de terminaison de ventilation en PVC/CPVC certifiées (Suite)

REMARQUE

Pour éviter une possibilité de gel de condensats, n'installez pas de kits de ventilation l'un au-dessus de l'autre. Une fois que la position de la terminaison de ventilation a été déterminée, faites de trous au travers du mur extérieur pour recevoir les tuyaux de ventilation. Les tuyaux de ventilation ne doivent sortir du mur extérieur qu'horizontalement.

Dégagements pour terminaisons sur toit incliné :



Terminaison verticale de ventilation avec U reversé et tuyau d'air de combustion sur toit incliné

REMARQUE




N'utilisez **PAS** de lubrifiant entre deux composants en PVC/CPVC. Référez-vous aux instructions du fabricant de ciment pour des consignes spécifiques et la manipulation.

Instructions de base pour joints collés au ciment

1. Coupez droit l'extrémité de tuyau d'équerre. Aplanissez les bords irréguliers et les bavures. Biseautez l'extrémité de tuyau. Puis nettoyez la zone de tulipe de raccord et de jonction du tuyau pour enlever toute saleté, graisse ou humidité.
2. Après avoir vérifié la bonne adaptation du tuyau et de la tulipe, passez sur leur surface un produit d'apprêt nettoyant. Appliquez une bonne couche de ce produit sur l'intérieur de tulipe et l'extérieur du tuyau.

3. Appliquez une fiche couche de ciment de façon régulière sur la tulipe. Appliquez rapidement une bonne couche de ciment sur le tuyau et insérez-le dans le raccord avec un léger mouvement de torsion jusqu'à ce qu'il entre à fond.
4. Maintenez le raccord de tuyau pendant 30 secondes pour éviter que la tulipe conique ne chasse le tuyau.
5. Essayez l'excédent de ciment du joint avec un chiffon. Attendez 15 minutes avant toute manipulation. La durée de durcissement peut varier en fonction de l'ajustement, de la température et de l'humidité.

Informations sur les pièces


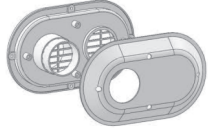



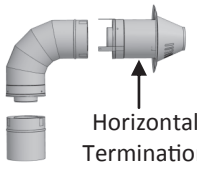
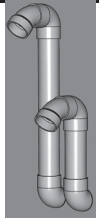
Types de coudes en PVC/CPVC acceptables pour le système de ventilation		
ACCEPTABLE	ACCEPTABLE	INACCEPTABLE
Coudes à 90°, avec tulipes d'extrémité femelles non filetées : À grand rayon	Coudes à 90°, avec tulipes d'extrémité femelles non filetées : Coude 1/4 à faible rayon	avec tulipes d'extrémité femelles non filetées : Courbe très fermée
		

AVERTISSEMENT

Une installation incorrecte d'un système de ventilation et de ses composants, ou le non-respect de toutes les instructions d'installation, peuvent entraîner des dommages et des blessures pouvant être fatales.

Informations sur les pièces (Suite)

Composants de ventilation et longueurs équivalentes assignées : Les raccords et accessoires ci-dessous (de fourniture extérieure) sont certifiés pour une utilisation avec les produits à condensation mentionnés précédemment.

Approuvés Pour la Fin Longueurs Équivalentes de Composants				
Constructeur d'origine (OEM)	N° d'OEM ou certification	Description de produit	Vue	Longueurs équivalentes (pieds)
IPEX (Achat séparé)	196006 /197009 (3 pouces) 196021 /197021 (4 pouces) Système 636)	Kit de ventilation concentrique PVC/CPVC- FGV avec grillage de ventilation		20
Royal (Achat séparé)	52CVKGV56503	Kit de ventilation concentrique		
IPEX (Achat séparé)	196985.(3 pouces) 196986. (4 pouces) (System 636)	Kit de terminaison profil bas		5
Royal (Achat séparé)	52SWVKGVS6503	Kit de terminaison profil bas		
Raccords PVC/CPVC qualité 40 de fourniture locale ou équivalents approuvés	Conformité avec CAN/CGA B149.1 & ULC-S636	Té 3 et 4" en PVC/CPVC qualité 40 avec grillage de ventilation		5
Raccords PVC/CPVC qualité 40 de fourniture locale ou équivalents approuvés	Conformité avec CAN/CGA B149.1 & ULC-S636	Coude à 90° 3 et 4" en PVC/CPVC qualité 40 avec grillage de ventilation		5
Raccords PVC/CPVC qualité 40 de fourniture locale ou équivalents approuvés	Conformité avec CAN/CGA B149.1 & ULC-S636	Coude à 45° 3 et 4" en PVC/CPVC qualité 40 avec grillage de ventilation		2.5
Metal-Fab (Achat séparé) - uniquement pour une utilisation avec tuyau d'évent Metal-Fab	3CGVRHK3 (2X4 Wall) 3CGVRHK4 (2X6 Wall)	5" outer diameter Concentric Vent kit with transition adapter, elbow, and horizontal termination	 Horizontal Termination	22 (Terminaison seul est 16)
Raccords PVC/CPVC qualité 40 de fourniture locale ou équivalents approuvés	Conformité avec CAN/CGA B149.1 & ULC-S636	Snorkel de ventilation 3 et 4" en PVC/CPVC qualité 40 avec grillage (3 coudes 90° ou 2 coudes 90° + 1 coude 45°)		15

- Les grillages de sortie de ventilation ne sont pas certifiés ULC S636.
- Les grillages de ventilation positionnés par friction sont utilisés pour éviter l'entrée de débris et/ou de petits animaux dans la ventilation.
- Un apprêt doit être utilisé pour l'installation du System 636® ou d'autres produits en PVC/CPVC à des températures inférieures à 32°F (0 °C).
- Un apprêt est nécessaire dans certaines juridictions quelle que soit la température, vérifiez auprès de votre autorité locale ayant juridiction.
- N'utilisez que des ciments et apprêts pour Système 636, l'utilisation de produits autres annulerait la garantie d'IPEX et la certification (voir la littérature du constructeur d'origine).
- Pour du PVC/CPVC de qualité 40, toute colle ou apprêt approuvés par votre autorité locale ayant juridiction peut être substitué.

PVC/CPVC Feuille de calcul de longueur équivalente de ventilation

Feuille de calcul de longueur équivalente de ventilation				
	Type de raccord / terminaison	Nombre de raccords	Longueur équivalente de ventilation	Longueur totale équivalente
1)	Coude à 90°		5	=
2)	Coude à 45°		2.5	=
3)	Terminaison IPEX profil bas		5	=
4)	Terminaison IPEX concentrique 4"		20	=
5)	Terminaison IPEX concentrique 3"		20	=
6)	Terminaison Royal concentrique 3"			=
7)	Terminaison Royal profil bas			=
8)	Terminaison par té 3"		5	=
9)	Terminaison par té 4"		5	=
10)	Terminaison par tube 3"		15	=
11)	Terminaison par tube 4"		15	=
12)	Longueur de section droite en pieds	NA	40	=
			Total (addition des lignes 1 à 10)	

Assurez-vous que le micro-commutateur SW1 dans DIPSW 1 est bien en position ARRÊT si la longueur de ventilation dépasse 21 pieds (6,4 m).

Condensats

La formation de condensats peut arriver dans les appareils à ventilation directe très efficaces. Sans un drainage correct les condensats endommageraient l'échangeur thermique.

Pour éviter des dégâts dus aux condensats, suivez ces instructions.

À ÉVITER

- Ne branchez pas le tuyau de drainage de condensats directement dans l'égoût à eau de pluie.
- Ne branchez pas le tuyau de drainage de condensats sur un drain de serpentin d'évaporateur de conditionnement d'air.

À FAIRE

- N'utilisez qu'une ventilation qui est approuvée et identifiée pour votre modèle particulier.
- Inclinez la ventilation en direction du chauffe-eau selon les instructions d'installation des fabricants de ventilation.
- Tous les condensats doivent être mis au rebut conformément aux normes locales.
- N'utilisez que des matériaux résistant à la corrosion pour les conduites de drainage de condensats, comme du tube en PVC ou du tuyau en plastique.
- Le tuyau de drainage de condensats (sur toute sa longueur) doit être au moins du même diamètre que la conduite de drainage (1/2 pouce, NPT).
- L'extrémité du tube de drainage doit être ouverte sur l'atmosphère. Elle ne doit pas arriver sous l'eau ni dans d'autres substances.
- Pour minimiser le gel de la condensation dans les unités extérieures, exécutez la ligne d'évacuation des condensats par un mur intérieur ou entre l'isolation et une paroi intérieure.
- Il est recommandé que la conduite de drainage de piège à condensats soit isolée. Une conduite de drainage de condensats gelée amène le code de diagnostic 25.

INFORMATIONS

- Les chauffe-eau comportent un collecteur de condensats intégré.
- Dans les régions à climat froid, il y aura plus de condensats dans le système de ventilation. Le collecteur de condensats doit être utilisé dans les climats froids.
- La conduite de drainage de condensats doit être aussi courte que possible et avoir une pente descendante.
- Si le drainage de condensats se trouve bloqué, un code de diagnostic sera affiché au contrôleur ou le moniteur d'état. Ainsi vous êtes averti qu'il faut nettoyer ce drainage de condensats.
- Le piège à condensats va automatiquement s'amorcer (autoamorçage) pendant le fonctionnement du chauffe-eau au fur et à mesure de la formation de condensats. Le drainage de condensats depuis l'appareil signifie que le piège est plein et qu'il n'y a pas de blocage du drainage de condensats. Il n'est pas nécessaire d'ajouter de l'eau au piège à condensats.
- Un kit de neutralisation de condensats, 804000074, est disponible chez Rinnai. Ce kit permet que les condensats circulent au travers d'un environnement neutralisant qui augmente leur pH à un niveau aidant à empêcher la corrosion du drain et du système d'égoûts publics.

Liste de contrôle pour ventilation et condensats (Modèles d'intérieur uniquement)

- Vérifiez que les dégagements sont corrects autour des sorties de ventilation et admissions d'air.
- Pour les modèles à l'intérieur, assurez-vous que SW4 dans DIPSW2 est réglé sur le style de ventilation appropriée.
- Assurez-vous d'avoir utilisé les produits de ventilation corrects pour le modèle installé, et que vous avez bien suivi entièrement les instructions d'installation du fabricant et les présentes instructions d'installation.
- Vérifiez que la ventilation prévue ne dépassera pas la longueur maximale en fonction du nombre de coudes utilisé.

Installation de plomberie

Besoins pour la soupape de décharge

Une soupape de décharge de pression doit être installée conformément à ces instructions.

Une soupape de décharge approuvée est obligatoire selon la norme américaine *ANSI Z21.10.3* sur tous les systèmes de chauffe-eau, et doit rester accessibles pour les interventions de service.

À ÉVITER

- Ne bouchez pas la soupape de décharge et n'installez pas de raccords réducteurs ou d'autres restrictions sur la conduite de décharge. Cette conduite de décharge permet un drainage omplet de la soupape et de la conduite.
- Ne placez aucun autre type de vanne ou de dispositif de coupure entre la soupape de décharge et le chauffe-eau

À FAIRE

- La soupape de décharge doit être conforme aux réglementations *ANSI Z21.22 (Relief Valves and Automatic Gas Shutoff Devices for Hot Water Supply Systems)* et ou à *CAN1-4.4 (Temperature, Pressure, Temperature and Pressure Relief Valves and Vacuum Relief Valves)*.
- La soupape de décharge doit être calibrée pour jusqu'à 150 psi et au moins le taux BTU/h maximal du chauffe-eau.
- La sortie de la soupape de décharge doit être envoyée par tuyau au sol ou dans un système de drainage selon les normes locales.
- La soupape de décharge doit être actionnée une fois par an manuellement pour vérifier son bon fonctionnement.



AVERTISSEMENT

L'eau crachée par la soupape de décharge peut causer instantanément des brûlures graves et de l'échaudage pouvant être mortels.

- La soupape de décharge doit être ajoutée sur la conduite de sortie d'eau chaude et près de la sortie d'eau chaude du chauffe-eau, en suivant les instructions du fabricant. NE placez AUCUN autre type de vanne ou de dispositif de coupure entre la soupape de décharge et le chauffe-eau.

INFORMATIONS

- Si une soupape de décharge crache périodiquement, cela peut être dû à une expansion thermique dans un système de fourniture d'eau en circuit fermé. Contactez la régie fournissant l'eau ou un inspecteur de plomberie local pour corriger cette situation. Ne bouchez pas la soupape de décharge.
- La norme américaine (*ANSI Z21.10.3*) ne demande pas une soupape de décharge par combinaison de température et de pression pour cet appareil. Cependant des normes locales peuvent exiger cette combinaison.

Vannes d'isolement

Rinnai recommande fortement l'installation de vannes d'isolement sur les conduites d'eau froide et chaude, car ils offrent la possibilité d'isoler l'appareil de chauffage de la plomberie de la structure de l'eau et de permettre un accès rapide à vider l'échangeur de chaleur. De nettoyer l'échangeur de chaleur est régulièrement nécessaire dans le cadre de l'entretien de ce chauffe-eau.

Besoins en tuyauterie

Une vanne de commande manuelle d'arrivée d'eau doit être placée dans la connexion d'entrée du chauffe-eau avant de le relier à la conduite d'eau. Des raccords-union peuvent être utilisés sur les conduites d'eau froide et chaude pour faciliter les futures interventions de service et le débranchement du chauffe-eau.

À ÉVITER

- N'introduisez pas de produits chimiques toxiques comme ceux utilisés pour le traitement des eaux de chaudière à l'eau potable servant au chauffage des locaux.

À FAIRE

- La tuyauterie (incluant les matériaux de soudage) et les composants reliés à cet appareil doivent être approuvés pour une utilisation avec des systèmes à eau potable.
- Purgez la conduite d'eau pour chasser tous les débris et l'air résiduel. Les débris abîmeraient le chauffe-eau.
- Si l'appareil doit être utilisé sur une source d'eau potable, il ne doit pas être connecté à un système qui était précédemment utilisé avec de l'eau non-potable pour appareil de chauffage.
- Assurez-vous qu'un filtre à eau propre est bien installé sur le chauffe-eau.

Vannes d'isolement et soupapes de décharge

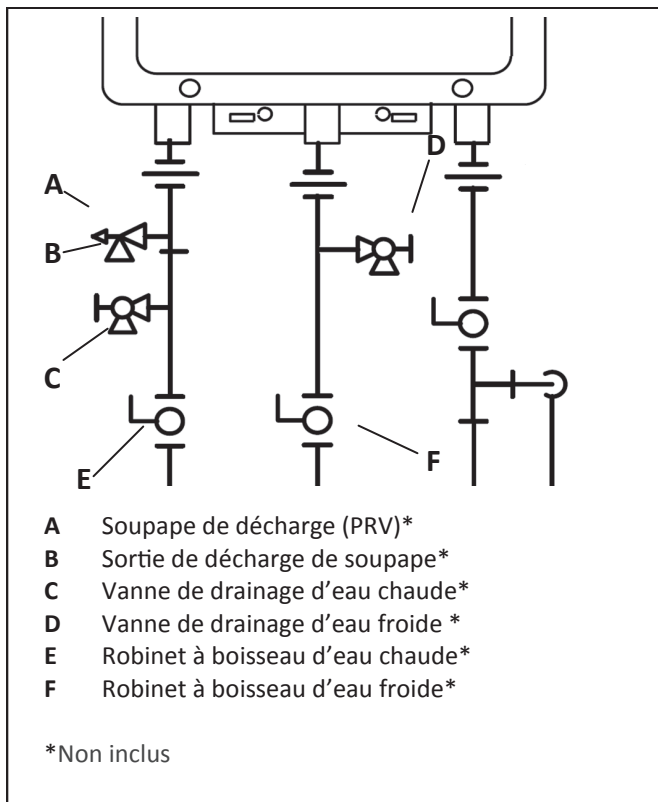
Les vannes d'isolement procurent la capacité d'isoler le chauffe-eau de la plomberie de la structure et de permettre un accès rapide pour rincer l'échangeur thermique. Contrôlez dans les normes locales si une soupape de décharge déclenchée sur pression et température est nécessaire. Les vannes incluses sont conformes aux normes *nationales américaines (ANSI Z21.10.3)* et *canadiennes (CSA 4.3)* et ont l'approbation ANSI/NSF 61 pour traiter de l'eau potable.

Instructions d'installation des vannes d'isolation :

NOTE

Lors du démontage du RACCORD UNION faire attention ne pas perdre de rondelles ou joints

- Entourez les extrémités des parties filetées d'entrée et de sortie d'eau sur le chauffe-eau sans réservoir, ainsi que l'extrémité filetée de la soupape de décharge approuvée, avec un minimum de 5 tours de bande Teflon®.
- Vissez la soupape de décharge dans le filetage 3/4" à l'opposé de la poignée sur la vanne de service d'EAU CHAUDE (Poignée ROUGE de drainage). Consultez la section sur la soupape de décharge pour les besoins d'une installation correcte.
- Desserrez l'écrou-raccord de 3/4" sur la vanne d'EAU CHAUDE, et connectez la sortie d'eau chaude sur le chauffe-eau sans réservoir. Si l'écrou est ôté, assurez-vous de réaligner précisément la pièce de raccordement à la soupape et faites en sorte que la rondelle noire soit positionnée de façon à ce que le bord métallique surélevé de la soupape soit à l'intérieur de la rondelle.
- Alignez la direction du drain d'eau chaude en position voulue.
- Resserrez l'ensemble d'union sur la vanne d'eau chaude en appliquant un couple d'environ 15 livre-pied.
- Répétez les étapes 3-5 pour la vanne d'EAU FROIDE (Poignée BLEUE de drainage) pour le raccordement de l'entrée d'eau froide sur le chauffe-eau sans réservoir.
- Connectez l'entrée sur la vanne d'eau froide à la source principale d'alimentation en eau.
- Connectez la sortie sur la vanne d'eau chaude sur le système de plomberie d'eau chaude.
- Assurez-vous que les deux poignées de levier de vanne de drainage sont en position fermée (perpendiculaire à la portion drainage du corps).



Instructions d'installation de soupape de décharge (PRV) :

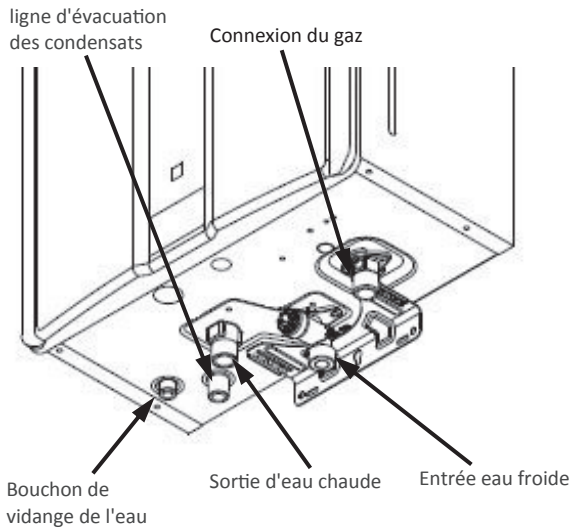
La soupape de décharge (PRV) doit être connectée sur le port fileté 3/4" de la vanne de service d'eau chaude "HOT" ROUGE (qui sera adjacente à la vanne coupure, ou au-dessus, mais jamais dessous). L'installation doit maintenir une taille de port de 3/4" sans vanne de coupure ni restriction de conduite entre le chauffe-eau et la PRV. La conduite de décharge de la PRV doit être inclinée vers le bas et se terminer 6" au-dessus des drains où l'évacuation doit être clairement visible. L'extrémité de décharge de la conduite doit être lisse (non-filetée) avec un diamètre d'au moins 3/4". Le matériau de la conduite de décharge doit convenir pour une eau à au moins 180°F (82 °C) et cette conduite ne doit pas faire plus de 30 pieds (9,1 m) de long et ne pas comporter plus de 4 coudes ou courbures. Aucune vanne quelque soit son type ne doit être installée dans cette conduite de décharge de la soupape de décharge.

Entretien de soupape de décharge (PRV) :

Pour entretenir correctement cette soupape de décharge approuvée, il est recommandé qu'elle soit activée manuellement une fois par an. Assurez-vous que l'eau évacuée à un endroit où s'écouler sans danger. Un contact peut causer des dégâts matériels et/ou des blessures corporelles.

Se il vous plaît noter PRV doit être évalué pour jusqu'à 150 psi et au moins le maximum BTU / h de l'appareil.

Schéma de tuyauterie pour installation de base



Le tuyau de drainage de condensats (sur toute sa longueur) doit être au moins du même diamètre que la conduite de drainage (1/2 pouce, NPT).

Référez-vous à la section sur les condensats pour les instructions de ventilation

Conduite de drainage de condensats

Drain pour condensats

Conduite d'alimentation en eau chaude 3/4"

Pour les appareils domestiques

Connexion de gaz 3/4"

Arrivée du gaz

Conduite d'alimentation en eau froide

KEY

	Robinet à boisseau 3/4"		Régulateur de pression
	Raccord-union 3/4"		Pompe de circulation
	Clapet anti-retour		Vanne de drainage de chauffe-eau
	Soupape de décharge		Électrovanne

Ceci n'est pas un dessin technique. Son seul but est de guider, et non de remplacer des dessins techniques professionnels de projet. Ce schéma n'a pas vocation à décrire un système complet. Il est de la responsabilité du sous-traitant ou de l'ingénieur en charge de déterminer les composants nécessaires pour le système spécifique à installer. Le schéma ne sous-entend pas une conformité avec les exigences des normes locales de construction. Il est de la responsabilité du sous-traitant ou de l'ingénieur en charge de s'assurer que l'installation est en conformité avec toutes les normes locales de construction. Consultez les autorités locales de construction avant l'installation.

Raccordement du chauffe-eau sur l'alimentation en eau

Les connexions d'eau sur le chauffe-eau sans réservoir doivent respecter toutes les normes provinciales et locales.

Si c'est une installation standard, référez-vous au schéma de tuyauterie pour une installation de base.

1. Raccordez l'alimentation en eau sur le chauffe-eau sans réservoir sur la connexion MNPT de 3/4" en bas de l'appareil, marquée "Water Inlet", qui correspond à l'entrée d'eau froide.
2. Raccordez la fourniture d'eau chaude pour le bâtiment sur la connexion MSPT de 3/4" marquée "Water Outlet", qui correspond à la sortie d'eau chaude.

Si un cache de tuyau est à installer, assurez-vous que les conduites d'eau allant au chauffe-eau sont bien adaptées.

Liste de contrôle pour plomberie

- Purgez la conduite d'eau de tous les débris et de l'air en fermant la vanne d'isolement de l'eau chaude et en ouvrant celle de l'eau froide et son drainage. **Les débris abîmeraient le chauffe-eau.** Utilisez un seau ou un tuyau si nécessaire.
- Assurez-vous que les conduites d'eau froide et d'eau chaude ne sont pas interverties sur le chauffe-eau et qu'elles ne présentent pas de fuites.
- Assurez-vous qu'une soupape de décharge est installée, avec une capacité dépassant la puissance en BTU du modèle de chauffe-eau. Référez-vous à la plaque signalétique sur le côté du chauffe-eau pour cette puissance en BTU.
- Nettoyez le filtre d'entrée d'eau en fermant les vannes d'isolement (coupure) de l'eau chaude et froide. Placez un seau sous le filtre en bas du chauffe-eau pour capter toute l'eau qui était contenue dans le chauffe-eau. Dévissez le filtre à eau. Rincez le filtre pour éliminer tous les débris. Remettez le filtre en place et rouvrez les vannes d'isolement.
- Contrôlez que l'eau arrive sous la bonne pression au chauffe-eau. La pression d'eau minimale doit être de 50 psi. Rinnai recommande 60-80 psi pour une performance maximale.
- Assurez-vous que tout problème relatif à la qualité de l'eau a été correctement traité.

Installation de l'alimentation en gaz



AVERTISSEMENT

1. Un professionnel agréé doit installer l'alimentation en gaz.
2. Coupez l'alimentation secteur 120 V.
3. Coupez l'arrivée du gaz.
4. Le gaz est inflammable. Ne fumez pas ou n'approchez pas d'autres sources d'allumage quand vous travaillez sur du gaz.
5. Ne mettez pas en marche le chauffe-eau et ne rétablissez pas l'arrivée du gaz avant que toutes les fumées se soient dissipées.

Instructions générales

À FAIRE

- Une vanne manuelle de commande de gaz doit être placée sur la conduite d'arrivée du gaz vers le chauffe-eau. Un raccord-union peut être utilisé sur la connexion au-dessus de la vanne de coupure, pour une future intervention de service ou de débranchement de l'appareil.
- Contrôlez le type de gaz et sa pression à l'arrivée avant de brancher sur le chauffe-eau. Si le chauffe-eau ne correspond pas au type de gaz qui alimente le bâtiment, NE le raccordez PAS sur le chauffe-eau. Contactez le revendeur pour connaître l'appareil adéquat pour le type de gaz existant.
- Contrôlez la pression de l'alimentation en gaz immédiatement en amont à un endroit fourni par la régie du gaz. Cette pression doit rester dans les limites montrées à la section des spécifications quand l'ensemble des appareils au gaz de la maison sont en marche.
- Avant de mettre l'appareil en marche, tous les joints dont ceux du chauffe-eau doivent avec leur étanchéité au gaz vérifiée, au moyen d'une solution pour détection des fuites, ou une solution équivalente ininflammable, selon la disponibilité. (Certaines solutions de test de fuite, incluant l'eau savonneuse, peuvent causer de la corrosion ou de la fissuration sous contrainte, les conduites sont à rincer à l'eau après le test, sauf s'il a été déterminé que la solution pour chercher des fuites n'est pas corrosive).
- Utilisez des connecteurs approuvés pour brancher le chauffe-eau sur la conduite de gaz. Purgez la conduite de gaz de tous débris avant son branchement sur le chauffe-eau.

- Tout composé utilisé sur un joint fileté de tuyauterie de gaz doit être d'un type qui résiste à l'action du gaz de pétrole liquéfié (propane / LPG).
- La conduite d'alimentation au gaz doit être étanche, du bon calibre, et installée de façon à fournir assez de gaz pour satisfaire la demande maximale du chauffe-eau plus des autres appareils marchant au gaz sans perte de pression.

INFORMATIONS

- En cas de doute sur la taille de la conduite de gaz, reportez-vous à un tuyau tableau des tailles approuvé

Taille de la conduite de gaz

L'alimentation en gaz doit être à même de satisfaire l'ensemble de la consommation de gaz dans le secteur. Le calibre de la conduite de gaz est basé sur le type de gaz, la chute de pression dans le système, et le type de conduite elle-même. Pour le calibrage de conduite de gaz aux USA, référez-vous à la *norme américaine sur le gaz combustible, NFPA 54*. Les informations qui suivent sont données à titre d'exemple. Il faut utiliser le tableau officiel de la norme applicable.

1. Pour certains tableaux, vous devrez déterminer la quantité horaire en pieds cube de gaz nécessaire, en divisant la puissance consommée par la valeur calorifique du gaz (disponible chez la régie locale de distribution du gaz). Le besoin en gaz doit inclure tous les produits fonctionnant au gaz de l'endroit, et l'utilisation maximale en BTU à pleine charge de tous ces produits en utilisation simultanée.
2. Utilisez le tableau selon votre type de gaz et de conduite, pour trouver le calibre de tuyau voulu.

$$\text{Pieds cubes par heure (CFH)} = \frac{\text{Consommation de tous produits carburant au gaz (BTU/H)}}{\text{Valeur calorifique du gaz (BTU / Pied}^3\text{)}}$$

Le calibre de tuyau doit être à même de fournir le volume (pieds cube) par heure de gaz ou le BTU/h requis.

Exemple :

La valeur calorifique du gaz naturel à votre emplacement est de 1 000 BTU/Pied³. La puissance consommée de 160 000 BTU/H. Des appareils additionnels sur le site demandent 65 000 BTU/H. Cela donne donc un volume de gaz par heure de (160 000 + 65 000) / 1 000 = 165 Pied³/H. Si la longueur de conduite est de 10 pieds, alors du tube de 3/4" est capable de fournir 264 Pied³/H de gaz naturel.

Tableau de calibrage de tube – Gaz naturel

Tube métallique qualité 40

Pression d'entrée : Moins de 2 psi (55 pouces de hauteur de colonne d'eau)
Chute de pression : 0,3 pouce de hauteur de colonne d'eau
Densité : 0.60

Pieds³ par heure

Longueur	Diamètre de tube (pouces)			
	3/4	1	1 1/4	1 1/2
10	273	514	1060	1580
20	188	353	726	1090
30	151	284	583	873
40	129	243	499	747
50	114	215	442	662
60	104	195	400	600
70	95	179	368	552
80	89	167	343	514
90	83	157	322	482
100	79	148	304	455

Tableau de calibrage de tube – Gaz propane

Tube métallique qualité 40

Pression d'entrée : 11 pouces de hauteur de colonne d'eau
Chute de pression : 0,5 pouce de hauteur de colonne d'eau
Densité : 1.50

Capacité en milliers de BTU par heure

Longueur	Diamètre de tube (pouces)			
	1/2	3/4	1	1 1/4
10	291	608	1150	2350
20	200	418	787	1620
30	160	336	632	1300
40	137	287	541	1110
50	122	255	480	985
60	110	231	434	892
80	101	212	400	821
100	94	197	372	763

Raccordement de l'électricité

AVERTISSEMENT

N'utilisez pas de cordon rallonge ni d'adaptateur de prise avec cet appareil.

Le chauffe-eau doit être électriquement relié à la terre en conformité avec les normes et ordonnances locales, ou en leur absence avec la norme électrique américaine ANSI/NFPA N° 70.

Les chauffe-eau sont équipés d'une fiche d'alimentation à 3 broches (avec terre) pour votre protection contre le risque d'électrocution, et sont à brancher directement dans une prise secteur 3 broches convenablement reliée à la terre. Ne coupez pas et n'enlevez pas la broche de terre de cette fiche secteur.

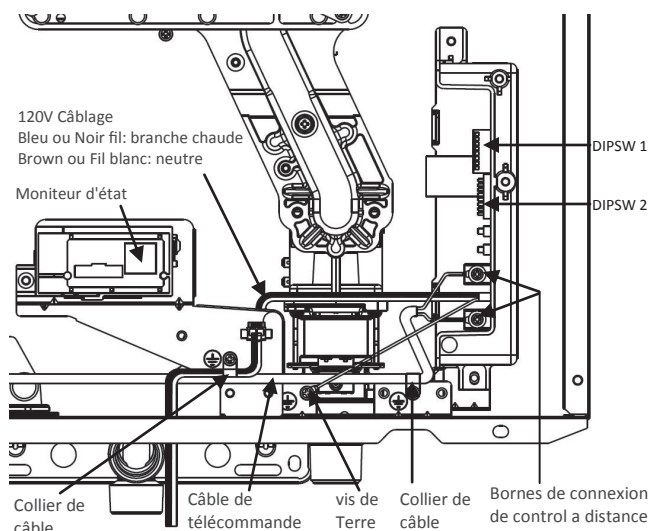
Ne vous basez pas sur la tuyauterie de gaz ou d'eau pour la mise à la terre du chauffe-eau. Une vis est fournie au boîtier de raccordement pour la liaison de terre.

Le chauffe-eau a besoin d'une alimentation secteur de 120 V CA/60 Hz venant d'un circuit avec une bonne terre.

Si vous utilisez cordon secteur de 5 pieds (1,5 m), branchez-le dans une prise secteur murale 120 V CA/60 Hz convenablement reliée à la terre.

Sur les modèles d'extérieur, un interrupteur doit être fourni et installé pour l'arrivée du secteur 120 V. Il doit convenir à une utilisation à l'extérieur. Contrôlez avec la norme électrique américaine, ANSI/NFPA 70, et les normes locales pour trouver le bon type d'interrupteur pour votre région.

Le schéma de câblage électrique est situé sur la fiche technique à l'intérieur du couvercle avant.



Ajustement pour installations en haute altitude

Réglez SW3 dans DIPSW 1 aux valeurs indiquées dans le tableau ci-dessous pour votre altitude. Le réglage par défaut de l'appareil est de 0 à 2000 pieds (0 à 610 m) avec des commutateurs SW3 en position OFF.

Lorsque le commutateur DIP est réglé, il ne est pas nécessaire d'ajuster le réglage de la pression de gaz pour la haute altitude.

Altitude	Micro-commutateur N° 3 de SW1
0-2000 pieds (0-610 m)	ARRÊT
2001-5400 pieds (610-1646 m)	MARCHE

Ajustement de longueur de ventilation (Modèles d'intérieur uniquement)

Réglez le micro-commutateur SW1 dans DIPSW 1 si c'est demandé. Référez-vous à la section Longueur maximale de ventilation.

Liste de contrôle pour gaz et électricité

- Une vanne manuelle de commande de gaz doit être placée sur la conduite d'arrivée du gaz vers le chauffe-eau.
- Contrôlez les conduites et raccords de gaz pour l'absence de fuites.
- Confirmez que la pression d'entrée du gaz est dans les limites.
- Confirmez que le chauffe-eau est spécifié pour le type de gaz fourni.
- Confirmez que l'alimentation électrique vient d'une source secteur 120 V CA/60 Hz avec circuit alimenté et bien relié à la terre.
- Vérifiez qu'il n'y a **PAS** eu d'adaptateur de fiche ni de cordon de rallonge d'utilisés avec le chauffe-eau.

Installation de contrôleur de température optionnel

AVERTISSEMENT

Coupez l'alimentation électrique. N'essayez pas de connecter de contrôleur(s) de température en restant sous tension. Bien qu'un contrôleur soit un appareil en basse tension, il y a de la tension 120 V près de sa connexion dans le chauffe-eau.

Ne branchez surtout pas le contrôleur de température sur les bornes de 120 V prévues pour les électrovannes optionnelles de drainage.

Les unités mentionnées dans ce manuel ne comprennent pas un contrôleur de température.

Emplacement des contrôleurs

- Le contrôleur doit être hors de portée des petits enfants.
- Évitez les endroits où le contrôleur peut devenir chaud (près d'un four ou d'un radiateur).
- Évitez les endroits directement au rayonnement solaire. L'afficheur numérique peut être difficile à lire en plein soleil.
- Évitez les endroits où le contrôleur de température peut être éclaboussé par des liquides.
- Ne l'installez pas dans des endroits où il peut être dérégulé par le public.

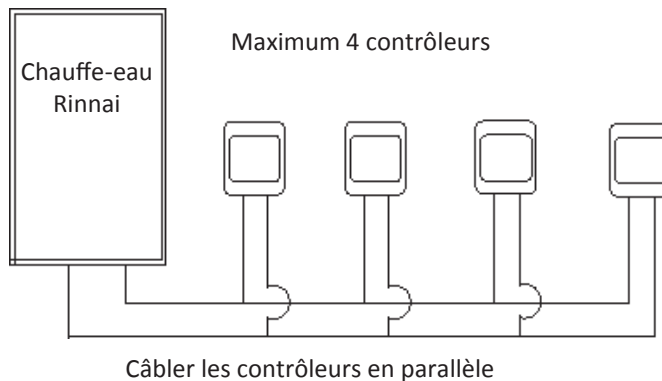
Longueurs et calibres de câble

Le câble pour le contrôleur de température doit être du type à deux âmes non polarisé avec un calibre 22 AWG au moins. La longueur maximale de câble entre chaque contrôleur et le chauffe-eau dépend du nombre total de contrôleurs actifs reliés au chauffe-eau.

Nombre de contrôleurs	Longueur max. de câble pour chaque
1	328 pieds (100 m)
2	164 pieds (50 m)
3 ou 4	65 pieds (20 m)

Configurations

Un maximum de 4 contrôleurs de température peut être installé pour un chauffe-eau ou un groupe de chauffe-eau. Ce décompte inclut le contrôleur intégré dans le chauffe-eau lui-même. Les contrôleurs ne peuvent être câblés qu'en parallèle. On ne doit pas les câbler en série.



Les quatre régulateurs de température peuvent être constitués de multiples MC-91-2.

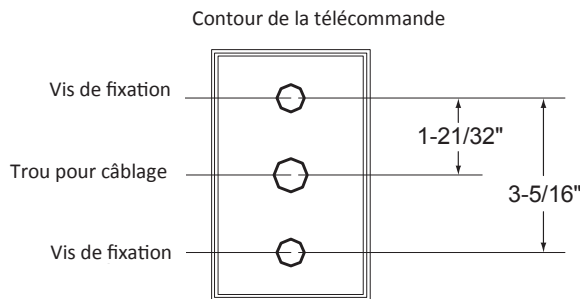
(MC-91-1 ne doit pas être installé sur une unité qui dispose déjà d'un MC-91-2 connecté)

Si 4 MC-91-2 sont installés, appuyez simultanément sur les boutons ON / OFF priorité et sur la quatrième contrôleur jusqu'à ce qu'un bip retentisse.

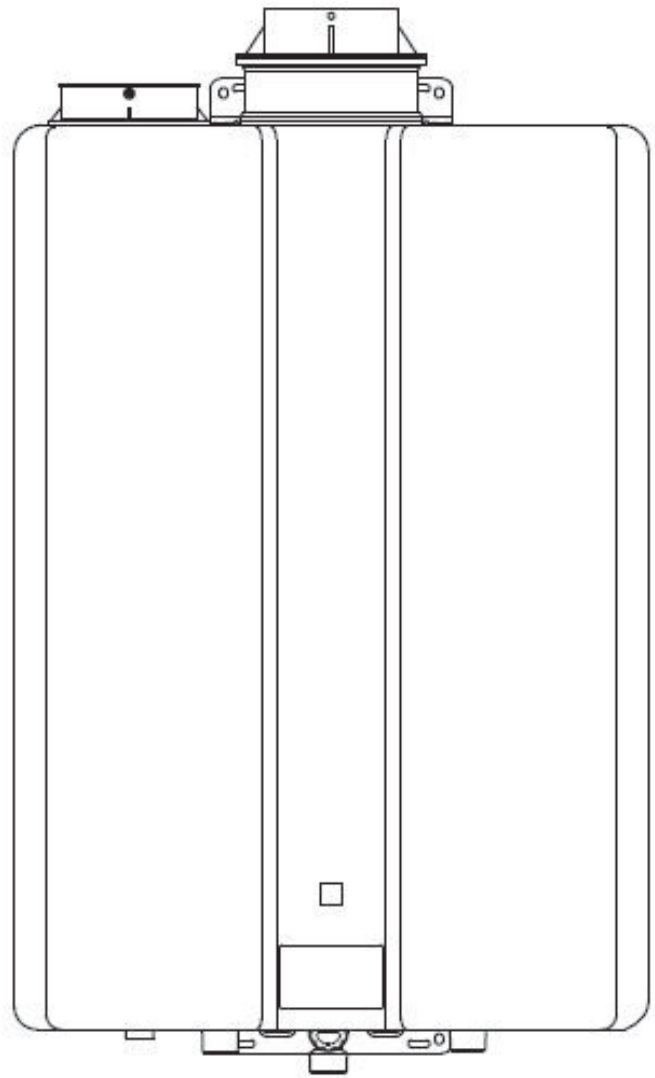
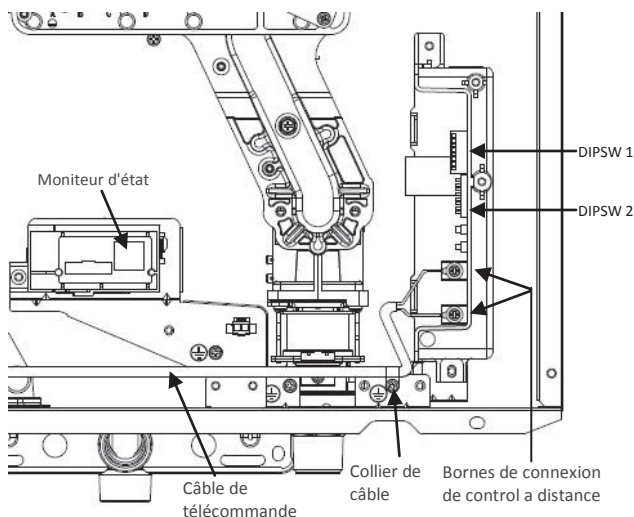
Ne pas installer MC-100V et BC-100V.

Montage du contrôleur

1. Faites trois trous dans le mur comme c'est montré.



2. Faites passer le câble entre le contrôleur et le chauffe-eau, ou entre le contrôleur et un autre contrôleur.
3. Enlevez la plaque de façade du contrôleur de température en utilisant un tournevis.
4. Branchez le câble sur le contrôleur de température.
5. Montez le contrôleur sur le mur en utilisant les trous percés à l'étape 1.
6. Débranchez l'alimentation électrique du chauffe-eau.
7. Enlevez le couvercle en plastique de carte de circuit imprimé (PCB) et des connexions électriques.
8. Passez le câble au travers du trou d'accès à la base du contrôleur et branchez les fils sur ses bornes en bas du côté droit sur la PCB.
9. Fixez le câble du contrôleur en utilisant le serre-câble fourni.
10. Remettez en place le couvercle en plastique sur la PCB puis remettez le couvercle du chauffe-eau.



Une fois l'installation terminée, installez le panneau avant et le cycle de l'unité à se assurer qu'il fonctionne correctement. Bonne installation / fonctionnement de l'unité est avec le panneau avant installé.

Liste de contrôle final

- Le chauffe-eau n'est pas exposé à des composés corrosifs dans l'air.
- L'eau d'alimentation ne contient pas de produits chimiques et ne présente pas un taux de dureté qui endommagerait l'échangeur thermique.
- Les dégagements à partir du chauffe-eau sont respectés.
- Les dégagements à partir de la terminaison de ventilation/de l'admission d'air sont respectés.
- Assurez-vous d'avoir utilisé les produits de ventilation corrects pour le modèle installé, et que vous avez bien suivi entièrement les instructions d'installation du fabricant et les présentes instructions d'installation.
- Vérifiez que la ventilation prévue ne dépassera pas la longueur maximale en fonction du nombre de coudes utilisé.
- Pour les modèles d'intérieur, vérifiez que le micro-commutateur SW1 dans DIPSW1 a bien été positionné en fonction de la longueur de ventilation. Référez-vous à la section Longueur maximale de ventilation.
- Pour les modèles à l'intérieur, d'assurer SW4 dans DIPSW2 est réglé sur le style de ventilation appropriée.
- Purgez la conduite d'eau de tous les débris et de l'air en fermant la vanne d'isolement de l'eau chaude et en ouvrant celle de l'eau froide et son drainage. Les débris abîmeraient le chauffe-eau. Utilisez un seau ou un tuyau si nécessaire.
- Assurez-vous que les conduites d'eau froide et d'eau chaude ne sont pas interverties sur le chauffe-eau et qu'elles ne présentent pas de fuites.
- Une vanne manuelle de commande de gaz doit être placée sur la conduite d'arrivée du gaz vers le chauffe-eau.
- Assurez-vous qu'une soupape de décharge est installée, avec une capacité dépassant la puissance en BTU du modèle de chauffe-eau. Référez-vous à la plaque signalétique sur le côté du chauffe-eau pour cette puissance en BTU.
- Nettoyez le filtre d'entrée d'eau en fermant les vannes d'isolement (coupure) de l'eau chaude et froide. Placez un seau sous le filtre en bas du chauffe-eau pour capter toute l'eau qui était contenue dans le chauffe-eau. Dévissez le filtre à eau. Rincez le filtre pour éliminer tous les débris. Remettez le filtre en place et rouvrez les vannes d'isolement.
- Contrôlez les conduites et raccords de gaz pour l'absence de fuites.
- Confirmez que la pression d'entrée du gaz est dans les limites.
- Confirmez que le chauffe-eau est spécifié pour le type de gaz fourni.
- Confirmez que l'alimentation électrique vient d'une source secteur 120 V CA/60 Hz avec circuit alimenté et bien relié à la terre.
- Vérifiez le non fonctionnement du contrôleur de température ou le moniteur d'état .
- Vérifiez que les micro-commutateurs SW3 dans DIPSW1 sont positionnés correctement en fonction de votre altitude.
- Vérifiez que le système fonctionne bien en branchant votre manomètre sur le port de test de pression du gaz sur le chauffe-eau. Faites fonctionner tous les appareils carburant au gaz de votre site à plein feu. La pression d'arrivée du gaz au chauffe-eau ne doit pas tomber en-dessous de la valeur spécifiée sur sa plaque signalétique.
- NE PAS introduire des agents chimique toxiques, comme ceux utilisés pour le traitement de la chaudière, dans l'eau potable
- Si le chauffe-eau n'est pas prévu pour une utilisation immédiate, vidangez toute l'eau de l'échangeur thermique.
- Installez le panneau avant.
- Expliquez au client l'importance de ne pas bloquer la terminaison de ventilation ou l'admission d'air.
- Expliquez au client le fonctionnement du chauffe-eau, les consignes de sécurité, l'entretien et la garantie.
- L'installation doit être en conformité avec les normes locales, ou en leur absence avec la *norme américaine ANSI Z223.1/NFPA 54 (Gaz combustible)*, ou la *norme canadienne CSA B149.1 (Installations au gaz naturel ou propane)*. En cas d'installation en maison préfabriquée, il faut se conformer à la *norme américaine pour Construction de maison préfabriqué et sécurité, Title 24 CFR, Part 3280* et/ou à la *norme canadienne CAN/SCA Z240 MH Series (Maisons mobiles)*.
- Informez le client si des vannes d'isolement, ou un système d'adoucissement de l'eau, ne sont pas installés.
- **Laissez tout le manuel fixé par bande sur le chauffe-eau (modèles d'intérieur), ou sur le contrôleur de température (modèles d'extérieur), ou donnez-le directement au consommateur.**

Données techniques

Spécifications

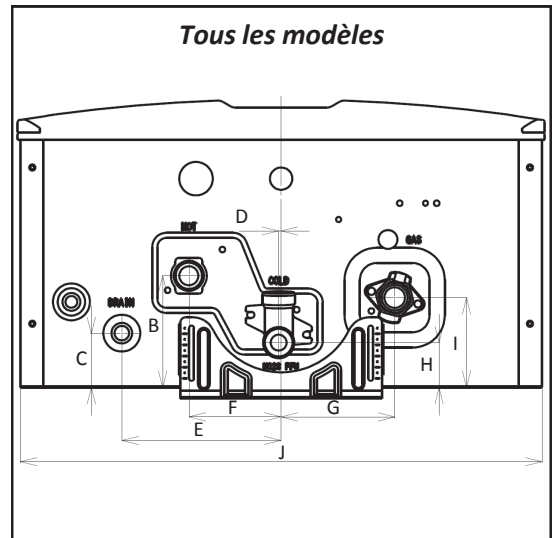
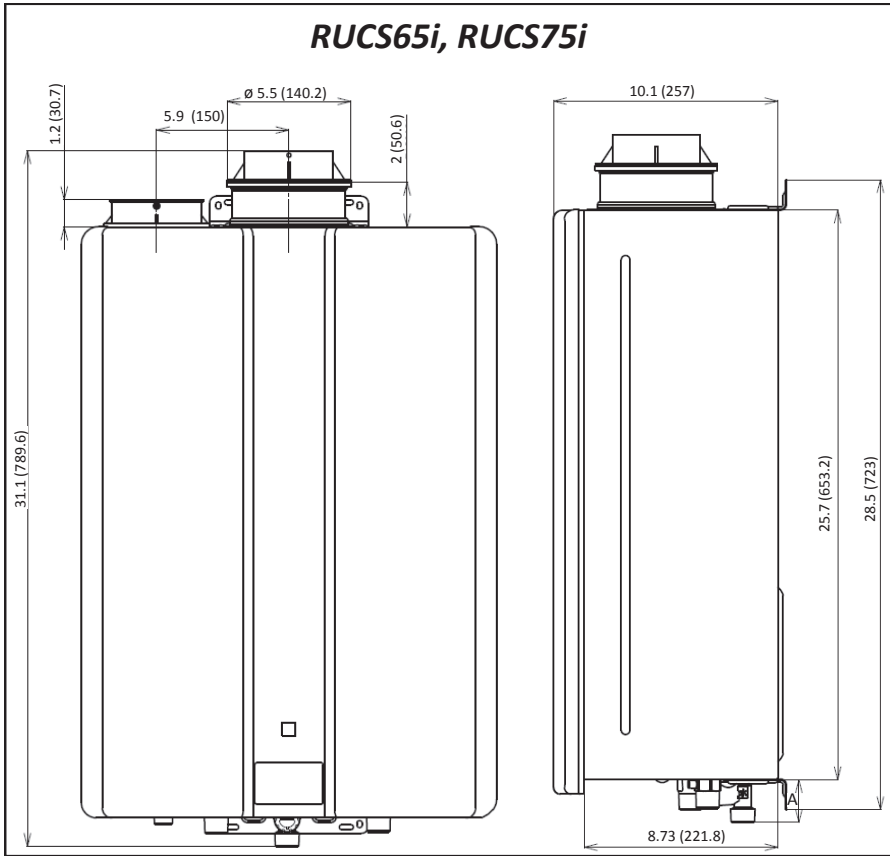
		<i>RUCS65i</i>	<i>RUCS75i</i>	<i>RUS65e</i>	<i>RUS75e</i>
Consommation min. de gaz en Btu/h		10,300			
Consommation max. de gaz en Btu/h		130,000	160,000	130,000	160,000
Capacité en eau chaude (Min. – Max.) *		0.26 - 6.5 GPM (1.0 - 25.7 L/min)	0.26 - 7.5 GPM (1.0 - 28.7 L/min)	0.26 - 6.5 GPM (1.0 - 25.7 L/min)	0.26 - 7.5 GPM (1.0 - 28.7 L/min)
Réglage de température (sans contrôleur)		120° F (49° C), 125° F (52° C), 135° F (57° C), 140° F (60° C)			
Réglage de température maximal		140° F (60° C)			
Réglage de température minimal		120° F (49° C)			
Poids		57.3 lb (26 kg)			
Niveau de bruit		47 dB		55 dB	
Données électriques	Normal	89 W		61 W	
	Attente	1.3 W			
	Protection anti-gel	167 W		140W	
	Courant max.	2.3 A			
	Fusible	10 A			
Pression d'entrée du gaz	Gaz naturel	4,0 – 10,5 pouces de hauteur de colonne d'eau			
	Propane	8,0 – 13,5 pouces de hauteur de colonne d'eau			
Contrôle des by-pass		Fixé			
Type d'appareil		Système de production d'eau chaude à gaz, à flux continu et température contrôlée, à condensation sans radiateur			
Connexions		Arrivée du gaz : 3/4" MNPT, arrivée d'eau froide : 3/4" MNPT, sortie d'eau chaude : 3/4" MNPT			
Commande de surpassement		Électronique			
Système d'allumage		Allumage électronique direct			
Connexions électriques		Appareil : 120 Volts CA, 60 Hz. Contrôleur de température : 12 Volts CC (numérique)			
Contrôle de température de l'eau		Simulation prévisionnelle et compte-rendu			
Pression d'arrivée d'eau		Pression d'eau minimale : 50 PSI (Recommandation 60-80 psi pour une performance maximale)			
Pression d'arrivée d'eau maximale		150 PSI			
Câble de contrôle à distance		Câble non-polarisé à deux âmes (22 AWG minimum)			
Qualification Energy Star		Oui			
Certifié pour une installation dans des maisons mobiles préfabriquées		Oui			
Conformité avec 14 ng/J (Côte Sud, district de gestion de qualité de l'air) ou niveaux d'émission 20 ppm de NOx		Oui			

* Le flux minimum varie légèrement selon le réglage de température et la température d'arrivée de l'eau. Le flux d'activation minimum est de 0,4 GPM (soit 1,5 litres/minute).

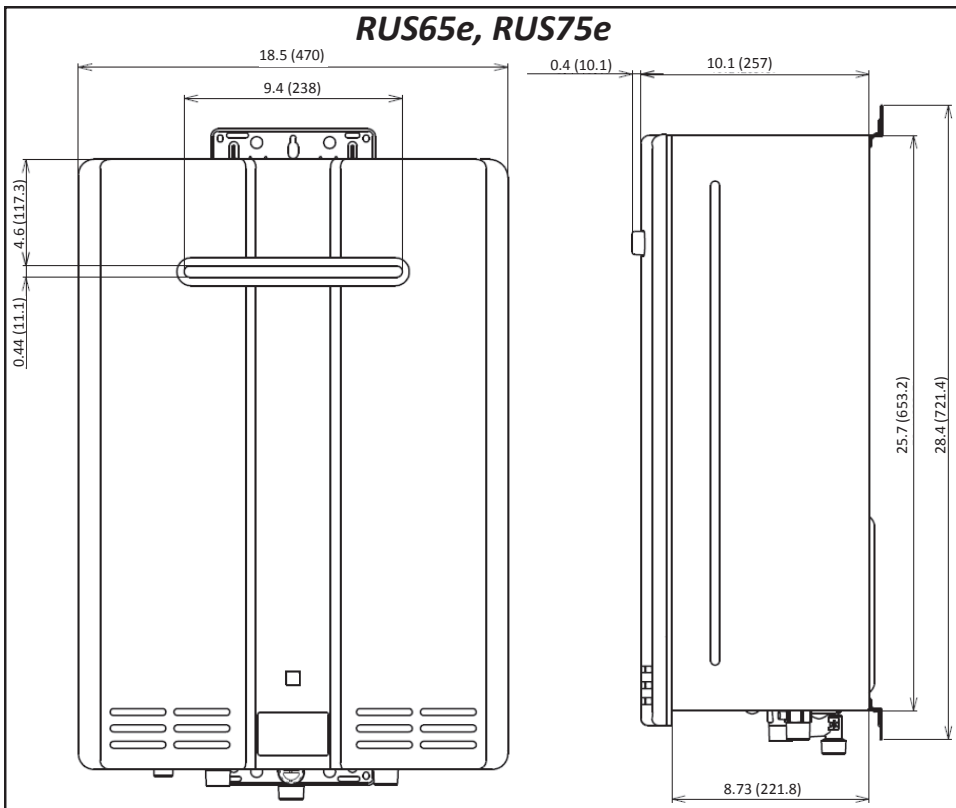
Nos produits sont constamment mis à jour et améliorés. De ce fait, les spécifications sont sujettes à des changements sans préavis. La pression maximale à l'arrivée du gaz ne doit pas dépasser la valeur donnée par le constructeur. La valeur minimale indiquée sert pour le réglage de la pression d'entrée.

Dimensions

Pouces (millimètres)

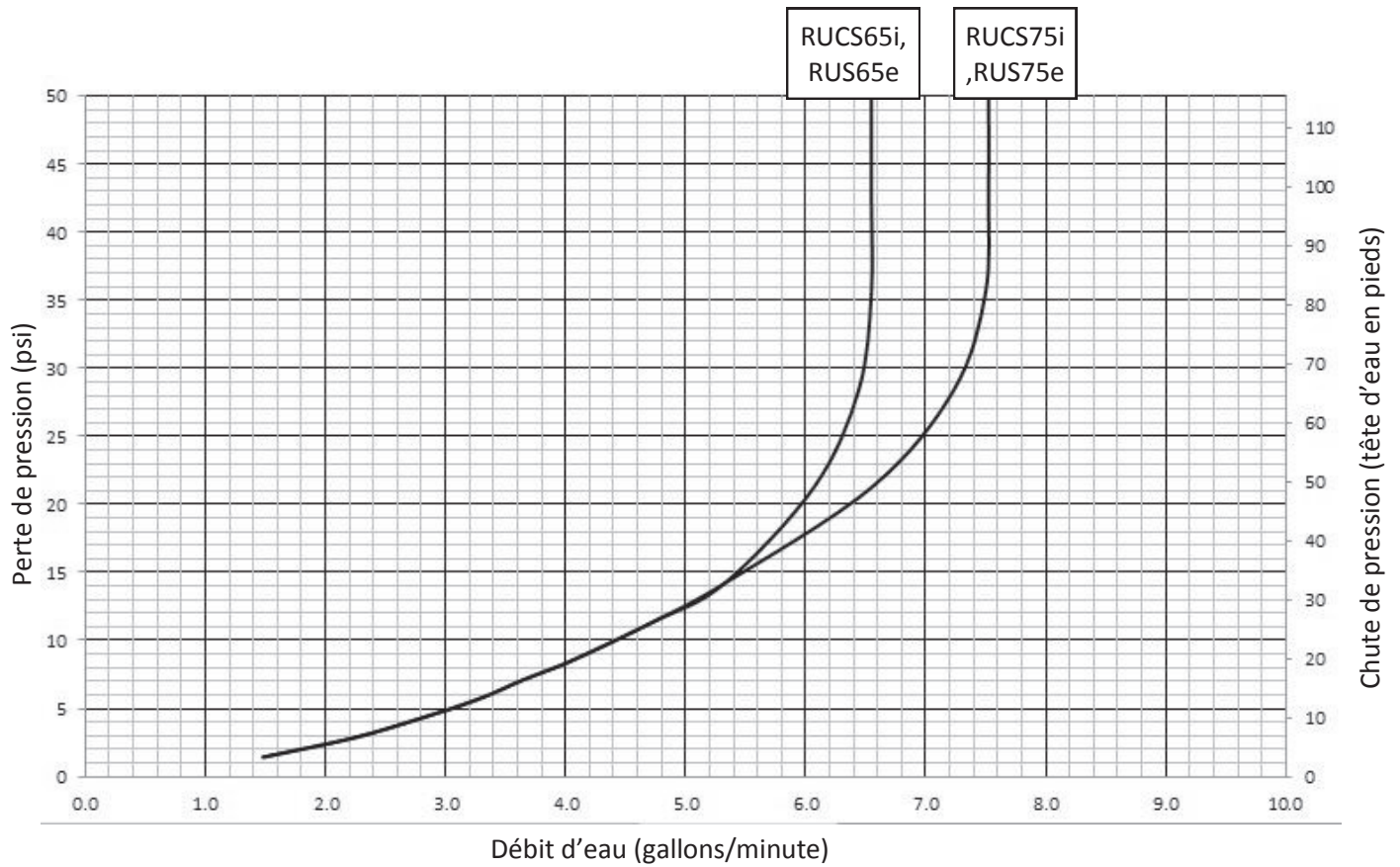


DIMENSION	En pouces (mm)
A (GAZ)	1.3 (33.2)
A (FROIDE)	1.93 (49)
A (CHAUDE)	1.35 (34.4)
A (SORTIE DE CONDENSATS)	0.94 (23.9)
B	3.93 (100)
C	1.91 (48.6)
D	0.09 (2.2)
E	5.6 (142.3)
F	3.24 (82.4)
G	3.99 (101.4)
H	1.58 (40.1)
I	3.17 (80.4)
J	18.3 (466)



* Ceci est la distance minimale par rapport au mur. Le support mural est réglable pour permettre 1,3 pouce (33 mm) de plus.

Courbe de chute de pression et de débit d'eau



AVIS

Le graphique ci-dessous ne s'applique que pour des arrivées d'eau à 70°F (21 °C) ou moins. Pour des arrivées d'eau froide à température plus élevée que 70°F (21 °C), contactez Rinnai.

Données de flux de sortie

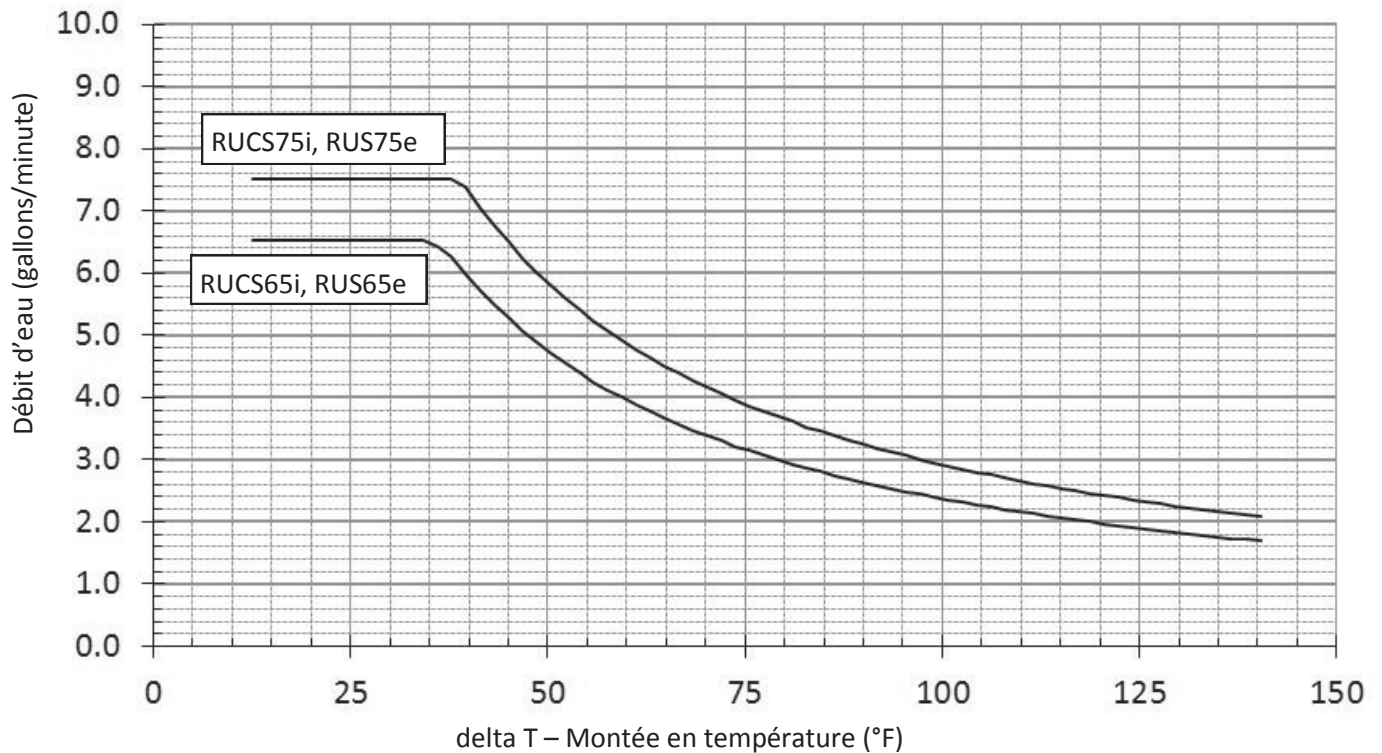
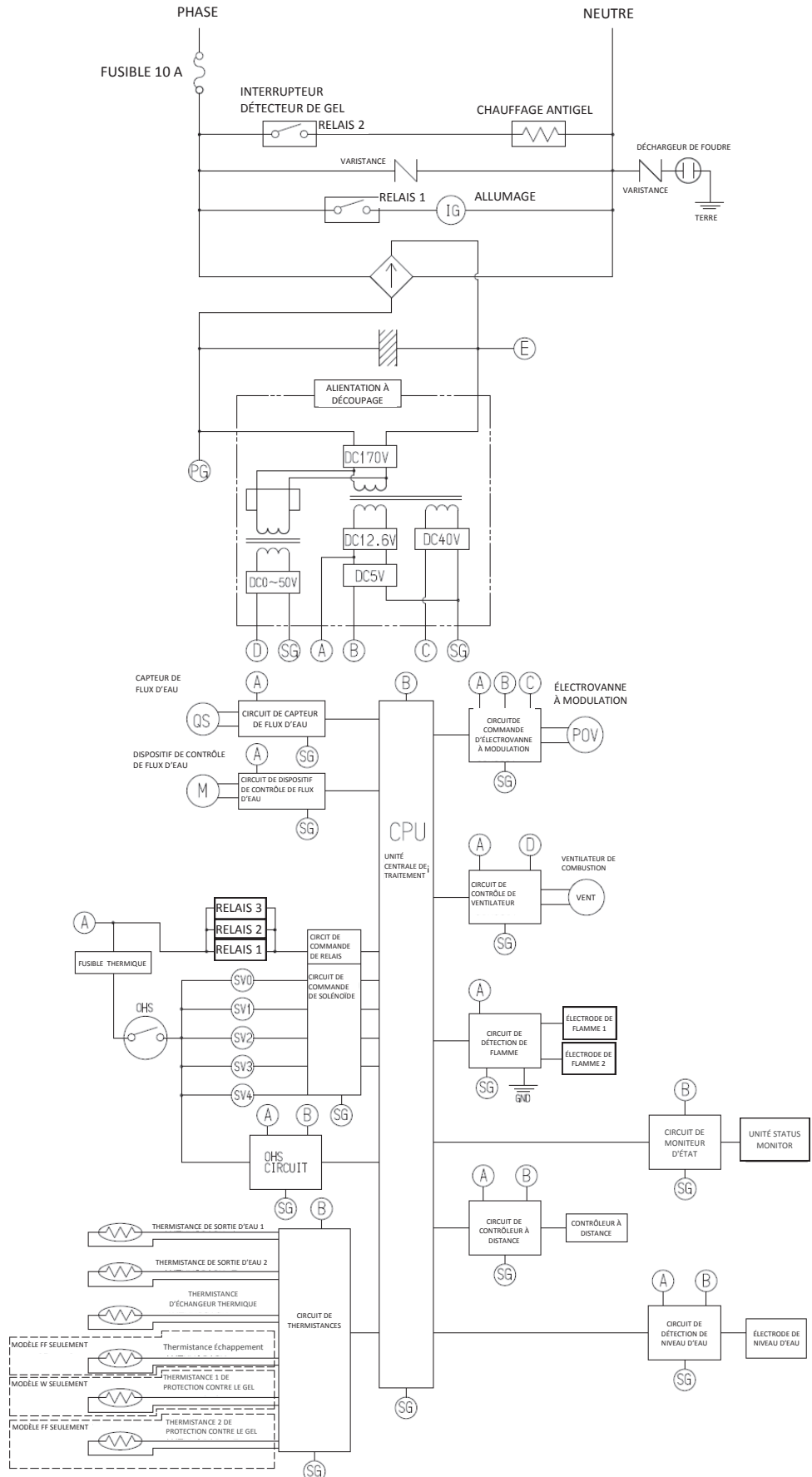


Diagramme en escalier



Rinnai®

Chauffe-eau sans réservoir à ventilation directe Manuel d'installation et d'utilisation

POUR DES APPLICATIONS EN INTÉRIEUR UNIQUEMENT

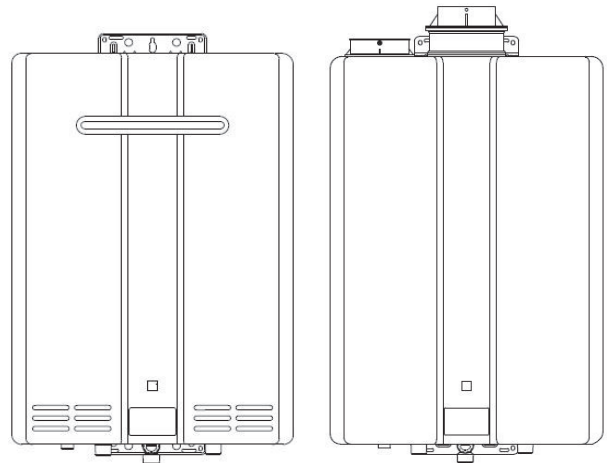
RUCS65i.....REU-KCM2025FFU-US

RUCS75i.....REU-KCM2528FFU-US

POUR DES APPLICATIONS EN EXTÉRIEUR UNIQUEMENT

RUS65e.....REU-KCM2025W-US

RUS75e.....REU-KCM2528W-US



Points importants concernant votre chauffe-eau

Merci d'avoir acheté un chauffe-eau Rinnai sans réservoir. Pour un bon fonctionnement et la sécurité, il est important de suivre ces instructions et de respecter les précautions de sécurité.

Lisez attentivement toutes les instructions et la garantie avant de faire fonctionner ce chauffe-eau. Conservez ce manuel en lieu sûr.

AVIS : Rinnai partage parfois des informations de contact de clients avec des entreprises qu'il estime pouvoir fournir des produits ou services qui peuvent vous être utiles. En communiquant ces informations, vous donnez votre accord pour que nous communiquions vos informations de contact dans ce but. Si vous préférez que vos informations ne soient pas partagées avec ces entreprises, veuillez contacter notre service à la clientèle et demander à ce que cela ne se fasse pas pour vous. Nous continuerons cependant dans ce cas à vous contacter nous-mêmes avec des informations relatives au(x) produit(s) que vous avez enregistré(s) et/ou sur votre compte chez nous.



AVERTISSEMENT

Si les informations de ces instructions ne sont pas suivies exactement, il peut en résulter un départ d'incendie ou une explosion, causant des dégâts matériels et des blessures pouvant être mortelles.

- **N'entreposez pas ou n'utilisez pas d'essence ou d'autres vapeurs ou liquides inflammables à proximité de cet appareil ou de n'importe quel autre.**
- **QUE FAIRE SI VOUS SENTEZ LE GAZ**
 - **N'essayez pas d'allumer aucun appareil**
 - **Ne touchez à aucun interrupteur électrique. N'utilisez aucun téléphone dans votre bâtiment.**
 - **Appelez immédiatement votre fournisseur de gaz depuis un téléphone du voisinage. Suivez les instructions qu'il vous donnera.**
 - **Si vous ne pouvez pas joindre votre fournisseur de gaz, appelez les pompiers.**
- **Installation et interventions de service doivent être effectuées par un professionnel agréé.**

Consignes à l'opérateur pour un fonctionnement sûr de son chauffe-eau

POUR VOTRE SÉCURITÉ LISEZ CECI AVANT DE COMMENCER





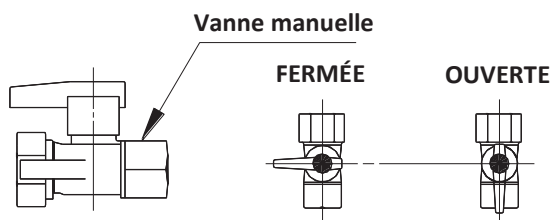
AVERTISSEMENT

Si vous ne suivez pas exactement ces instructions, il peut en résulter un départ d'incendie ou une explosion entraînant des dégâts matériels et blessures pouvant être fatales.


- A. Cet appareil ne comporte pas de veilleuse. Il est équipé d'un dispositif d'allumage qui allume automatiquement le brûleur. N'essayez pas d'allumer le brûleur à la main.
- B. AVANT L'UTILISATION, reniflez tout autour de la zone du chauffe-eau pour détecter du gaz. Ne manquez pas de chercher près du plancher car certains gaz sont plus lourds que l'air et s'accumulent au sol.
QUE FAIRE SI VOUS SENTEZ LE GAZ
 - N'essayez pas d'allumer un appareil.
 - Ne touchez à aucun interrupteur électrique. N'utilisez aucun téléphone dans votre bâtiment.
 - Appelez immédiatement votre fournisseur de gaz depuis un téléphone du voisinage. Suivez les instructions qu'il vous donnera.
- Si vous ne pouvez pas joindre votre fournisseur de gaz, appelez les pompiers.
- C. N'utilisez que votre main pour appuyer sur le bouton de commande de gaz ou l'enfoncer. N'utilisez jamais d'outils. Si la commande ne se tourne pas ou ne s'enfonce pas à la main, n'essayez pas de la réparer vous-même, mais appelez un professionnel agréé. Le fait de forcer ou de tenter une réparation peut provoquer un départ d'incendie ou une explosion.
- D. N'utilisez pas cet appareil si une partie quelconque a été immergée dans de l'eau. Appelez immédiatement un professionnel agréé pour inspecter l'appareil et remplacer toute pièce du système de contrôle et toute commande de gaz qui aurait séjourné sous l'eau.

INSTRUCTIONS D'UTILISATION

1. **STOP!** Lisez bien les informations de sécurité qui précèdent.
2. Passez le thermostat sur le réglage de température le plus bas.
3. Coupez l'alimentation électrique de l'appareil en utilisant le bouton marche/arrêt (ON/OFF).
4. Cet appareil est équipé d'un dispositif d'allumage qui allume automatiquement le brûleur. N'essayez pas d'allumer le brûleur à la main.
5. Localisez la vanne manuelle de gaz sur le côté du chauffe-eau. Tournez-la complètement en sens horaire jusqu'à sa position de fermeture (OFF). 
6. Attendez cinq (5) minutes pour dissiper tout gaz éventuel. Puis reniflez pour détecter du gaz, y compris près du plancher. Si vous sentez le gaz, STOP! Suivez la partie B des informations de sécurité qui précèdent. Si vous ne sentez pas le gaz, poursuivez.
7. Tournez la vanne manuelle de gaz complètement en sens antihoraire jusqu'à sa position d'ouverture (ON). 
8. Rétablissez toute l'alimentation électrique de l'appareil en utilisant le bouton marche/arrêt (ON/OFF).
9. Passez le thermostat sur le réglage de température de consigne voulu.
10. Ouvrez une vanne d'eau chaude de la maison. Si l'appareil ne se met pas en marche, suivez les instructions de coupure d'alimentation en gaz de l'appareil et appelez un professionnel agréé ou votre fournisseur de gaz. Consultez le manuel pour plus d'informations.



POUR COUPER LE GAZ À L'APPAREIL

1. Coupez l'alimentation électrique de l'appareil en utilisant le bouton marche/arrêt (ON/OFF).
2. Passez le thermostat sur le réglage de température le plus bas.
3. Localisez la vanne manuelle de gaz sur le côté du chauffe-eau. Tournez-la complètement en sens horaire jusqu'à sa position de fermeture (OFF). 

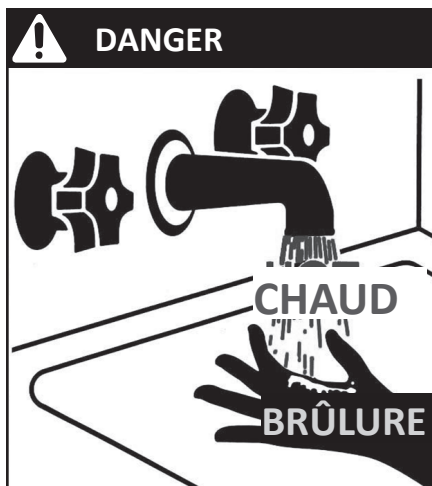
AVERTISSEMENT

- Avant la mise en œuvre, reniflez tout autour de la zone de l'appareil pour détecter une odeur de gaz. Ne manquez pas de chercher près du plancher car certains gaz sont plus lourds que l'air et s'accumulent au sol.
- Gardez la zone autour de l'appareil dégagée et exempte de matières combustibles, d'essence et d'autres vapeurs ou liquides inflammables.
- Contrôlez toujours la température de l'eau avant de prendre un bain ou une douche.
- N'utilisez pas cet appareil si une partie quelconque a été immergée dans de l'eau. Appelez immédiatement un professionnel agréé pour inspecter l'appareil et remplacer toute pièce du système de contrôle et toute commande de gaz qui aurait séjourné sous l'eau.
- En cas de surchauffe, ou si il est impossible de couper l'alimentation en gaz, coupez au niveau de la vanne manuelle de gaz en amont de l'appareil.
- Ne modifiez pas la position des micro-commutateurs sauf si cela vous a été demandé expressément.
- N'utilisez pas de cordon rallonge ni d'adaptateur de prise avec cet appareil.
- Toute altération de l'appareil ou de ses commandes peut être dangereuse et annulerait sa garantie.
- Si vous vivez dans une région connue pour la dureté de son eau, ou pour causer des accumulations de tartre, vous devez traiter votre eau et/ou rincer régulièrement le chauffe-eau. Rinnai propose le "Système de conditionnement d'eau ScaleCutter" de Southeastern Filtration qui permet une prévention supérieure du niveau d'entartrage et du contrôle de la corrosion, en injectant un mélange de composés de contrôle dans l'alimentation en eau froide. Les dommages et les réparations résultant de la présence de composés corrosifs dans l'air ne sont pas couverts par la garantie.
- Maintenez la zone d'admission d'air exempte de produits chimiques tels que chlore ou agent blanchissant qui produisent des fumées. Ces fumées peuvent endommager des composants et réduire la durée de service de votre appareil. Les dommages et les réparations résultant de la présence de composés corrosifs dans l'air ne sont pas couverts par la garantie.

Fixation de la température

Un moniteur d'affichage de maintenance ou de statut est fournie dans le panneau avant pour indiquer exploitation codes d'état et d'erreur. Le chauffe-eau nécessite un minimum d'écoulement d'eau pour fonctionner. Ce seuil peut être trouvé sur la page de spécifications dans ce manuel. Dans certains cas quand vous n'obtenez pas d'eau chaude ou si l'eau passe de chaude à froide, cela peut venir de ce que l'écoulement d'eau est en-dessous ou trop proche du seuil minimal d'écoulement. Le fait d'augmenter le débit tiré résout ces problèmes dans ces circonstances.

Si vous rencontrez des problèmes avec des réglages de températures plus élevées, réduisez progressivement ces réglages. La sélection d'une température plus proche de ce qui est actuellement utilisé au robinet augmentera la quantité d'eau chaude délivrée au robinet, du fait de moins de mélange avec de l'eau froide à ce niveau.



DANGER

Les températures d'eau au-dessus de 125°F (52 °C) peuvent causer des blessures sérieuses ou un échaudage, pouvant entraîner la mort.

De l'eau chaude peut causer des brûlures au premier degré avec une exposition aussi limitée que :

3 secondes à 140°F (60 °C)

20 secondes à 130°F (54 °C)

8 minutes à 120°F (49 °C)

Ce sont les enfants, les handicapés et les personnes âgées qui courent les plus gros risques d'échaudage.

Tâchez l'eau avant de prendre un bain ou une douche.

Options de température sans contrôleur de température

Le réglage de la température par défaut pour cet appareil installé sans un contrôleur de température est de 120 ° F (49 ° C). Si on le souhaite, le réglage de température peut être modifié par le réglage des commutateurs DIP:

	DIPSW1	
	SW5	SW6
120° F	OFF	OFF
125° F	ON	OFF
135° F	OFF	ON
140° F	ON	ON

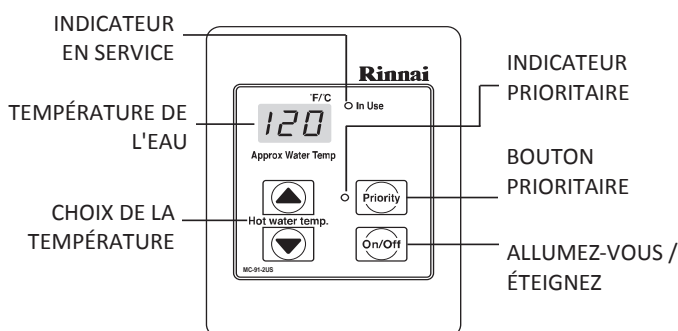
Sans un contrôleur le moniteur d'état (voir page 122) affiche la température comme suit:

Fahrenheit °F	120	125	135	140
Celsius °C	49	52	57	60
Displayed As	1	2	3	4

Comment utiliser le contrôleur de température

Les unités mentionnées dans ce manuel ne comprennent pas un contrôleur de température. Le contrôleur MC-91-2 est le contrôleur de température standard.

NE PAS utiliser à plusieurs reprises le chauffe-eau et ensuite utiliser un robinet d'eau chaude alors que le contrôleur est éteint. Fonctionnement du chauffe-eau de cette façon pour produire alternativement l'eau chaude peut provoquer la condensation d'eau à l'extérieur des pièces internes et se accumulent dans l'armoire de chauffe-eau.



Dimensions (pouces): 3.5 W x 4.75 H x 0.75 D



1. Si le chauffe-eau est arrêté, appuyez sur le bouton Power pour le démarrer.
2. Si le voyant Priority est éteint, appuyez alors sur le bouton Priority du contrôleur de température. Le voyant Priority orange va s'éclairer pour indiquer que le contrôleur commande la température et que le chauffe-eau est prêt à fournir de l'eau chaude (la priorité ne peut être changée que pendant qu'il ne coule pas d'eau chaude).

AVIS

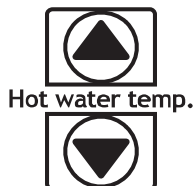
Vérifiez les normes locales pour le maximum du réglage de température permis en cas d'utilisation dans des maisons de soins, écoles, garderies, et autres applications publiques.

AVIS

Si un appareil nouvellement installé avec un contrôleur n'a pas été activé pendant au moins 6 heures, alors la température reviendra au réglage par défaut de 120°F (49 °C) pour les cas de coupure d'alimentation.

AVIS

Il peut y avoir une variation entre la température affichée sur le régulateur de température et la température de l'eau du robinet en raison des conditions climatiques ou de la longueur de tuyau à l'élément chauffant de l'eau.



3. Appuyez sur les boutons de montée ou de descente pour obtenir le réglage de consigne de température voulu. Toutes les sources d'eau chaude sont à même de fournir de l'eau à cette température jusqu'à un éventuel changement à ce contrôleur de température ou un autre.

Températures disponibles avec un contrôleur

Le chauffe-eau peut fournir de l'eau à un seul réglage de la température à la fois. Les températures disponibles sont fournies ci-dessous. Une température inférieure à 120 ° F (49 ° C) peuvent être obtenues en mélangeant le robinet d'eau froide. Pour changer l'échelle de température de Celsius à Fahrenheit, ou vice versa, appuyez et maintenez le bouton "On / Off" pendant 5 secondes tandis que le chauffe-eau est OFF.

Réglages de température disponibles					
Fahrenheit °F	120	125	130	135	140
Celsius °C	49	52	54	57	60

Passage du contrôleur en sourdine

Sur le MC-91-2 pour éliminer les bips sonores émis quand les touches sont activées, appuyez ensemble sur les boutons à flèche vers le haut et vers le bas, et maintenez-les enfoncés jusqu'à l'émission d'un bip (environ 5 secondes).

Verrouillage du contrôleur

Le contrôleur MC-91-2 peut être verrouillé en appuyant ensemble sur le bouton Priority et le bouton flèche vers le haut pendant 5 secondes. Un bip va retentir confirmant que le contrôleur est verrouillé. L'affichage va alternativement montrer "LOC", le réglage de température, plus un code de diagnostic s'il y en a eu un d'activé. Tous les contrôleurs sur le système sont alors également verrouillés.

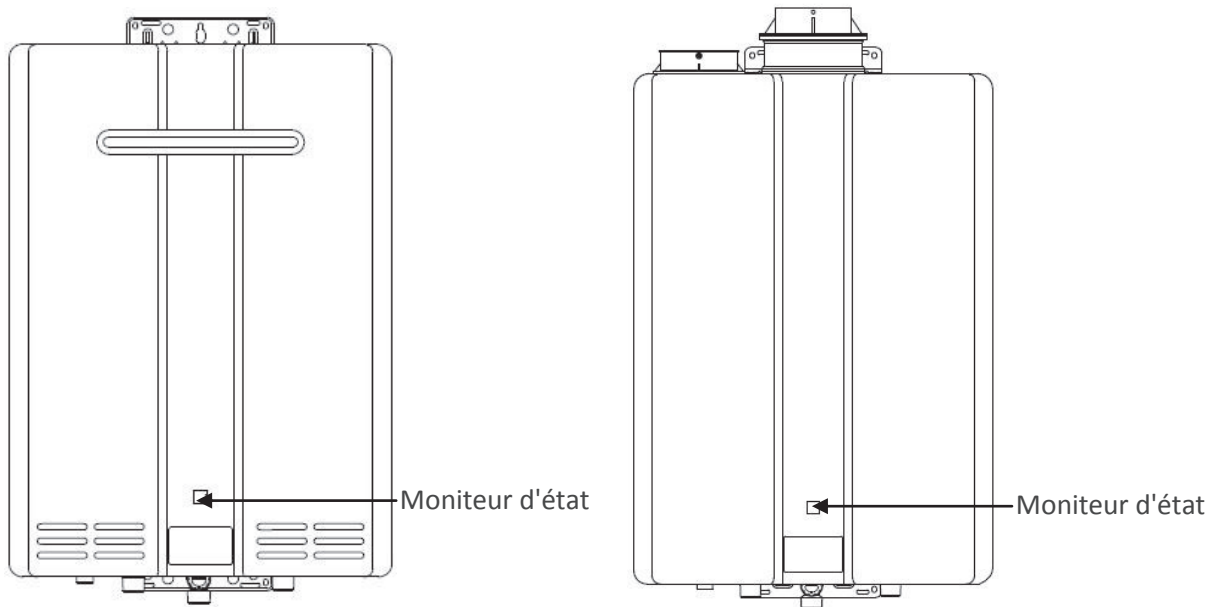
Pour déverrouiller le contrôleur appuyez ensemble sur le bouton Priority et le bouton flèche vers le bas pendant 5 secondes

Codes de diagnostic

Ce chauffe-eau a été conçu pour afficher des codes de diagnostic. S'il y a un souci de fonctionnement éventuel, référez-vous au code affiché et au remède conseillé en pages suivantes.

Informations de diagnostic (sur le moniteur d'état)

--	Initiaux (Premières deux secondes, lorsque la fiche d'alimentation est allumée).
(non affichée)	Veille (l'alimentation est fournie, mais il n'y a pas la demande pour l'eau chaude).
1,2,3 or 4	L'eau chaude est fournie sans contrôleur.
ON	L'eau chaude est fournie avec le contrôleur
FL ou FH	Représente forcé Basse et Haute forcé combustion. Seulement vu au cours de la procédure de réglage de la pression de gaz qui se fait lorsque certains composants sont remplacés.
Code d'erreur clignote	Le code d'erreur se arrête de clignoter après que le problème est corrigé et le chauffe-eau fournit de l'eau chaude.



Affichage des informations de diagnostic (avec contrôleur)

Pour afficher les informations de code de diagnostic les plus récentes, appuyez sur le bouton « M/A » en le maintenant 2 secondes sur le contrôleur MC-91-2. Tout en maintenant ce bouton « M/A » enfoncé, actionnez le bouton flèche vers le haut. Les 9 derniers codes de diagnostic vont apparaître l'un après l'autre. Pour sortir de ce mode appuyez de nouveau de la même façon sur les mêmes boutons.

Pour entrer ou sortir du mode d'informations de surveillance d'entretien, appuyez et maintenez le bouton flèche vers le bas pendant 2 secondes et sans le relâcher actionnez le bouton « M/A ».

Pour obtenir le niveau de flux d'eau : Actionnez le bouton flèche vers le haut ou vers le bas jusqu'à l'affichage de "01". Le niveau de flux d'eau apparaît ensuite. Par exemple l'affichage de "58" signifie 5,8 gallons/minute.

Pour obtenir la température actuelle de la sortie d'eau chaude, actionnez le bouton flèche vers le haut ou vers le bas jusqu'à l'affichage de "02". La température va apparaître en degrés Fahrenheit.

N°	Donnée	Unité
01	Niveau de flux d'eau	0,1 gal./min.
02	Température de sortie de l'eau	Degrés Fahrenheit

Codes de diagnostic et remèdes

 AVERTISSEMENT		Certains de contrôles ci-dessous ne doivent être effectués que par un professionnel agréé. Les simples consommateurs ne doivent jamais tenter une intervention qu'ils ne sont pas qualifiés pour effectuer.	
Code	Définition		Remède
10	Blocage de la fourniture d'air ou de l'échappement		Contrôlez que rien ne bloque l'admission ou la sortie d'air. Contrôlez les bonnes connexions de tous les composants de la ventilation.
		Professionnel agréé uniquement	Assurez-vous que des matériaux de ventilation approuvés ont été utilisés. Assurez-vous que les longueurs de ventilation sont dans les limites. Vérifiez le bon positionnement des micro-commutateurs DIP. Contrôlez l'absence de blocage au ventilateur.
11	Pas d'allumage (le chauffe-eau ne démarre pas)		Contrôlez que l'arrivée de gaz est ouverte sur le chauffe-eau, au compteur ou au réservoir. Si le système carbure au propane, assurez-vous qu'il reste du gaz dans le réservoir. Assurez-vous que l'appareil est bien relié à la terre.
		Professionnel agréé uniquement	Assurez-vous que type et pression de gaz sont corrects. Assurez-vous du bon calibre de conduite, compteur et/ou régulateur de gaz. Purgez tout l'air des conduites de gaz. Vérifiez le bon positionnement des micro-commutateurs DIP. Assurez-vous du bon fonctionnement de l'allumeur. Contrôlez s'il y a des dommages sur le harnais de câblage d'allumeur. Contrôlez les électrovannes de gaz pour d'éventuelles coupures ou des courts-circuits. Enlevez le cache des brûleurs et assurez-vous qu'ils sont tous bien en place. Enlevez la plaque de brûleurs et inspectez-les pour de la condensation ou des débris. Contrôlez le fil de terre de la carte de circuit imprimé.
12	Pas de flamme		Contrôlez que l'arrivée de gaz est ouverte sur le chauffe-eau, au compteur ou au réservoir. Contrôlez s'il y a des obstructions dans le flux de fumée. Si le système carbure au propane, assurez-vous qu'il reste du gaz dans le réservoir.
		Professionnel agréé uniquement	Assurez-vous du bon calibre de conduite, compteur et/ou régulateur de gaz. Assurez-vous que type et pression de gaz sont corrects. Purgez tout l'air des conduites de gaz. Assurez-vous que des matériaux de ventilation approuvés ont été utilisés. Assurez-vous que le collier anti-condensation a bien été installé. Assurez-vous que les longueurs de ventilation sont dans les limites. Vérifiez le bon positionnement des micro-commutateurs DIP. Contrôlez l'alimentation pour chercher des connexions desserrées. Contrôlez la bonne tension d'alimentation et d'éventuelles chutes de tension. Assurez-vous que l'électrode de flamme est branchée. Contrôlez l'accumulation de carbone sur l'électrode de flamme. Débranchez et rebranchez tous les harnais de câblage sur chauffe-eau et carte de circuit imprimé. Contrôlez s'il y a des courts-circuits aux composants. Contrôlez les électrovannes de gaz pour d'éventuelles coupures ou des courts-circuits. Enlevez la plaque de brûleur et inspectez-les pour de la condensation ou des débris.
14	Le fusible thermique a déclenché		Contrôlez s'il y a des restrictions de circulation d'air autour de l'appareil et à la terminaison de ventilation.
		Professionnel agréé uniquement	Assurez-vous que le micro-commutateur SW5 dans DIPSW 2 est bien en position OFF (ARRÊT). Contrôlez le type de gaz pour le chauffe-eau et vérifiez qu'il reçoit le bon. Contrôlez si un faible débit dans un système de circulation cause un cycle trop court. Vérifiez le bon positionnement des micro-commutateurs DIP. Contrôlez s'il y a des matières étrangères dans la chambre de combustion et/ou la tuyauterie d'échappement. Contrôlez l'échangeur thermique pour des craquelures et/ou des séparations. Contrôlez la surface d'échangeur thermique pour des points chauds qui indiquent un blocage par accumulation de calamine. Référez-vous aux instructions du manuel pour le rinçage de l'échangeur thermique. L'eau dure doit être traitée pour éviter une accumulation de tartre ou des dommages à l'échangeur thermique. Mesurez la résistance du circuit de sécurité. Assurez-vous que la pression de gaz à la rampe est bonne à petit feu et à plein feu. Contrôlez s'il y a eu une conversion incorrecte du chauffe-eau.
16	Avertissement de surchauffe (coupure par sécurité car l'appareil est devenu trop chaud)		Contrôlez s'il y a des restrictions de circulation d'air autour de l'appareil et à la terminaison de ventilation.
		Professionnel agréé uniquement	Contrôlez si un faible débit dans un système de circulation cause un cycle trop court. Contrôlez s'il y a des matières étrangères dans la chambre de combustion et/ou la tuyauterie d'échappement. Contrôlez s'il y a un blocage dans l'échangeur thermique.

Code	Définition		Remède
19	Mise à la terre électrique	Professionnel agréé uniquement	Contrôlez tous les composants pour chercher des courts-circuits électriques.
25	Piège à condensat saturé		Contrôlez s'il y a un blocage au piège à condensat et à la conduite de drainage.
31	Capteur de brûleur		Remplacez le piège à condensat.
32	Capteur de température de sortie d'eau		Mesurez la résistance du capteur. Remplacez le capteur.
33	Capteur de température de sortie d'échangeur thermique		
38	Capteur de gaz d'échappement de la température		Contrôlez si le câblage de capteur est endommagé. Mesurez la résistance du capteur. Nettoyez le capteur en le détartrant. Remplacez le capteur.
41	Capteur de température extérieure		
52	Signal d'électrovanne à modulation		Contrôlez le harnais de câblage de l'électrovanne de gaz à modulation pour des bornes desserrées ou endommagées. Mesurez la résistance d'enroulement de l'électrovanne.
54	Haute Température des gaz d'échappement		Vérifiez surface de l'échangeur de chaleur pour les points chauds qui indiquent blocage dû à l'échelle s'accumuler. Consulter les instructions dans le manuel pour le rinçage échangeur de chaleur. L'eau dure doit être traitée pour éviter l'accumulation d'échelle ou des dommages à l'échangeur de chaleur. Contactez un professionnel agréé.
61	Ventilateur de combustion	Professionnel agréé uniquement	Assurez-vous que le ventilateur tourne librement Contrôlez le harnais de câblage au moteur pour des connexions endommagées et/ou desserrées. Mesurez la résistance de l'enroulement de moteur.
65	Contrôle du flux d'eau		La vanne de contrôle du flux d'eau a échoué à sa fermeture durant la fonction de remplissage de baignoire. Coupez immédiatement l'eau et arrêtez la fonction de remplissage de baignoire. Contactez un professionnel agréé pour dépanner l'appareil.
70	Carte de circuit imprimé		Vérifiez le bon positionnement des micro-commutateurs DIP. Contrôlez le harnais de câblage au raccordement sur la carte. Remplacez la carte de circuit imprimé.
71	Circuit d'électrovanne		Remplacez la carte de circuit imprimé.
72	Dispositif de détection de flamme		Remplacez la carte de circuit imprimé.
LC # (LC0, LC1, LC2,...)	Entartrage dans l'échangeur thermique (en vérifiant l'historique de codes d'entretien, "00" est substitué pour "LC")		LC (seulement quand un contrôleur est installé, l'écran montre LC0 ~ LC9) indique qu'il ya accumulation de tartre dans l'échangeur de chaleur et que l'échangeur de chaleur doit être rincé pour éviter tout dommage. Consultez les instructions de rinçage dans le manuel. Disque eau doit être traitée pour éviter l'accumulation d'échelle ou des dommages à l'échangeur de chaleur. Pour faire fonctionner le chauffe-eau temporairement jusqu'à ce que l'échangeur de chaleur peut être rincé, appuyez sur le bouton Marche / Arrêt (quand un contrôleur est installé) sur le contrôleur de température 5 fois. Codes LC répétées finiront verrouiller le chauffe-eau. Se il vous plaît appelez Rinnai département technique.
FF	Un entretien a été effectué (avec le contrôleur uniquement)		Indique d'un professionnel agréé a effectué une intervention ou corrigé un problème.
Pas de code	Rien ne se passe quand le flux d'eau est activé.	Professionnel agréé uniquement	Nettoyez le filtre d'arrivée d'eau. Sur de nouvelles installations assurez-vous que les conduites d'eau froide et d'eau chaude ne sont pas inversées. Vérifiez que vous avez au moins le minimum de niveau d'écoulement requis pour démarrer le chauffe-eau. Contrôlez s'il y a un croisement du froid dans le chaud. Isolez le système de circulation si c'est le cas. Coupez l'eau froide vers le chauffe-eau, ouvrez la soupape de décharge. Si de l'eau continue de couler, il y a un déversement dans votre plomberie. Vérifiez que la turbine tourne librement. Mesurez la résistance du capteur de contrôle du flux d'eau. Si l'affichage est vide et que du cliquètement vient de l'appareil, débranchez le servomoteur de flux d'eau (GY, BR, O, W, P, BL, R). Si aucun affichage n'apparaît, remplacez le servomoteur de flux d'eau.

Entretien nécessaire

L'appareil doit être inspecté annuellement par un professionnel agréé. Installation et interventions de service doivent être effectuées par un professionnel agréé. Ce professionnel agréé doit vérifier le bon fonctionnement après une intervention.

AVERTISSEMENT

Pour vous protéger avant d'effectuer une intervention d'entretien :

- Coupez l'alimentation électrique en débranchant la fiche du cordon secteur ou en coupant le secteur au disjoncteur du circuit. (Le contrôleur de température ne commande pas l'alimentation électrique).
- Coupez l'arrivée du gaz à la vanne manuelle, en général elle est placée immédiatement sous le chauffe-eau.
- Coupez l'arrivée d'alimentation en eau. Cela peut se faire à la vanne d'isolement immédiatement sous le chauffe-eau, ou en coupant la distribution d'eau du bâtiment.

AVERTISSEMENT

Gardez la zone autour de l'appareil dégagée et exempte de matières combustibles, d'essence et d'autres vapeurs ou liquides inflammables.

Les points d'entretien qui suivent sont nécessaires pour la bonne marche de votre chauffe-eau.

L'appareil doit être inspecté annuellement par un professionnel agréé. Les installation et interventions de service doivent être effectuées par un professionnel agréé. Ce professionnel agréé doit vérifier le bon fonctionnement après une intervention.

Nettoyage

Il est impératif que les compartiments de contrôle, les brûleurs et les passages de circulation de l'air de l'appareil soient gardés propres.

Nettoyez comme ceci :

1. Arrêtez le chauffe-eau et débranchez son alimentation secteur. Laissez-le refroidir.
2. Fermez les vannes de coupure d'eau. Enlevez et nettoyez le filtre d'arrivée d'eau.
3. Enlevez le panneau avant en ôtant 4 vis.
4. Utilisez de l'air comprimé pour dépoussiérer le brûleur principal, l'échangeur thermique et les pales de ventilateur. N'utilisez pas de chiffon humide ni de nettoyeurs à pulvériser sur le brûleur. N'utilisez pas de substances volatiles comme du benzène ou d'autres diluants. Ils pourraient s'enflammer ou ternir la peinture.
5. Utilisez un chiffon doux pour essuyer le coffret du chauffe-eau.

Système de ventilation

Le système de ventilation doit être inspecté au moins annuellement pour des blocages ou des dommages éventuels. Si la ventilation est bloquée contactez un professionnel agréé.

Moteurs

Les moteurs sont lubrifiés de façon permanente et ne nécessitent pas de lubrification périodique. Cependant vous devez conserver le ventilateur et le moteur exempts de poussière et salissures en les nettoyant tous les ans.

Contrôleur de température

Utilisez un chiffon doux humide pour nettoyer le contrôleur de température. N'utilisez pas de solvants.

Accumulation de calcaire/tartre

Si vous recevez le code de diagnostic "LC #" (LC1, LC2, ...), reportez-vous à la procédure, de nettoyer l'échangeur de chaleur. Reportez-vous à la section sur la qualité de l'eau pour voir si votre eau doit être traitée ou conditionnée. (Lors du contrôle de l'historique de l'entretien avec le code de contrôleur de température, "00" est remplacé par "LC #".)

L'eau doit être potable, exempte de produits chimiques corrosifs, de sable, salissures ou autres contaminants. Il est de la responsabilité de l'installateur de s'assurer que l'eau ne contient pas de produits chimiques corrosifs ou d'éléments qui pourraient affecter ou endommager le chauffe-eau. Une eau qui contient des produits chimiques dépassant les seuils montré dans ce tableau affecte et endommage l'échangeur thermique. Un remplacement de chauffe-eau résultant d'une mauvaise qualité d'eau n'est pas couvert par la garantie.

Accumulation de neige

Gardez la zone autour de la terminaison de cheminée exempte de neige et de glace. L'appareil ne fonctionnera pas correctement si l'admission d'air ou l'échappement sont empêchés (bloqués totalement ou partiellement) par des obstructions.

Installations côtières

Des installations situées dans des zones côtières ou à proximité nécessitent plus d'entretien du fait de la teneur en sel marin corrosif de l'atmosphère.

Nettoyage du filtre à eau

Nettoyez le filtre d'entrée d'eau en fermant les vannes d'isolement (coupure) de l'eau chaude et froide. Placez un seau sous le filtre en bas du chauffe-eau pour capter toute l'eau qui était contenue dans le chauffe-eau. Dévissez le

filtre à eau. Rincez le filtre pour éliminer tous les débris. Remettez le filtre en place et rouvrez les vannes d'isolement.

AVERTISSEMENT

Le test de soupapes de décharge ne doit être fait que par un professionnel agréé. L'eau crachée par la soupape de décharge peut causer instantanément des brûlures graves et de l'échaudage pouvant être mortels.

Soupape de décharge

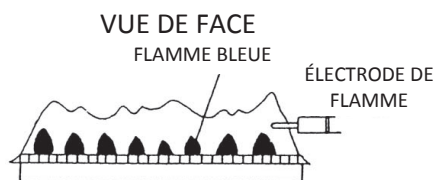
Faites fonctionner la soupape manuellement une fois par an. Pour cela, il est nécessaire de prendre des précautions contre la sortie d'eau sous pression pouvant potentiellement vous ébouillanter. Assurez-vous que l'eau évacuée à un endroit sûr où s'écouler. Un contact avec votre corps ou des objets proches peut causer une blessure ou des dégâts.

Inspection visuelle de la flamme

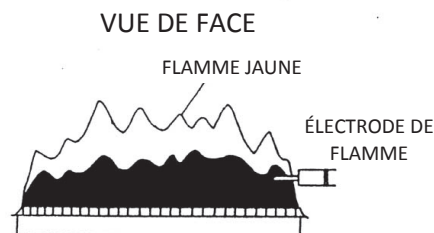
Vérifiez le bon fonctionnement après une intervention. Le brûleur doit produire une flamme régulière sur toute sa surface quand tout fonctionne correctement. La combustion doit produire une flamme claire, bleue et stable. Consultez la vue éclatée des pièces de brûleur pour l'emplacement des ports d'observation.

La forme de flamme doit ressembler à ce qui est illustré ci-dessous.

SATISFAISANTE



INSATISFAISANTE



Protection contre le gel

Assurez-vous que par temps très froid le chauffe-eau et ses conduites d'eau sont protégées efficacement pour éviter le gel. Les dommages dus au gel ne sont pas couverts par la garantie. Référez-vous à la section sur la protection contre le gel. L'appareil peut être vidangé manuellement. Cependant il est fortement recommandé que :

- Des électrovannes de vidange soient achetées et installées pour vider automatiquement le chauffe-eau en cas de coupure d'alimentation secteur. Elles sont proposées dans un kit, N° de pièce 104000059-A (Le bouchon de drainage du piège à condensats et le bouchon de drainage d'eau ne sont pas affectés par les électrovannes de purge, et devront être ouverts manuellement).
- Un parasurtenseur avec prises soit acheté et installé de façon à permettre aux électrovannes de fonctionner si le chauffe-eau est désactivé du fait d'un code de diagnostic. Il est disponible sous le N° 104000057.

Préparation pour l'hiver

Ces recommandations ont pour but de suggérer des pratiques qui sont efficaces pour protéger le chauffe-eau. Elles ne servent que pour vous guider. Aucune responsabilité n'est assumée en cas de problèmes résultant de l'utilisation de ces informations.

GAZ

Coupez l'arrivée de gaz au chauffe-eau. Il est généralement préférable de couper la fourniture de gaz à tout le site si du gaz ne doit plus être utilisé.

EAU

Coupez l'arrivée d'eau froide au chauffe-eau. Il est généralement préférable de couper la fourniture d'eau à tout le site si de l'eau ne doit plus être utilisée.

Vidangez le chauffe-eau en ouvrant les vannes de drainage sur la conduite d'eau froide et la conduite d'eau chaude.

Ouvrez plusieurs robinets d'eau chaude et enlevez l'ensemble de filtre à l'entrée de l'eau de façon à laisser du volume pour une expansion si de l'eau des conduites gélait.

ÉLECTRICITÉ

Débranchez l'alimentation secteur soit en débranchant la fiche du cordon soit en coupant au disjoncteur desservant le chauffe-eau, afin d'éviter de potentiels dommages en cas de surtensions ou interruptions intempestives du secteur.

TERMINAISON DE VENTILATION

Placez un couvercle sur la terminaison de ventilation (admission et échappement) si vous pouvez y accéder sans danger. Ce couvercle doit pouvoir s'appliquer et s'enlever facilement. Cela évitera que des débris, des feuilles et de petits animaux n'entrent dans la ventilation et le chauffe-eau, ce qui pourrait causer des problèmes au niveau du flux d'air à la remise en marche du système.



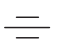

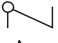



Rinçage de l'échangeur thermique

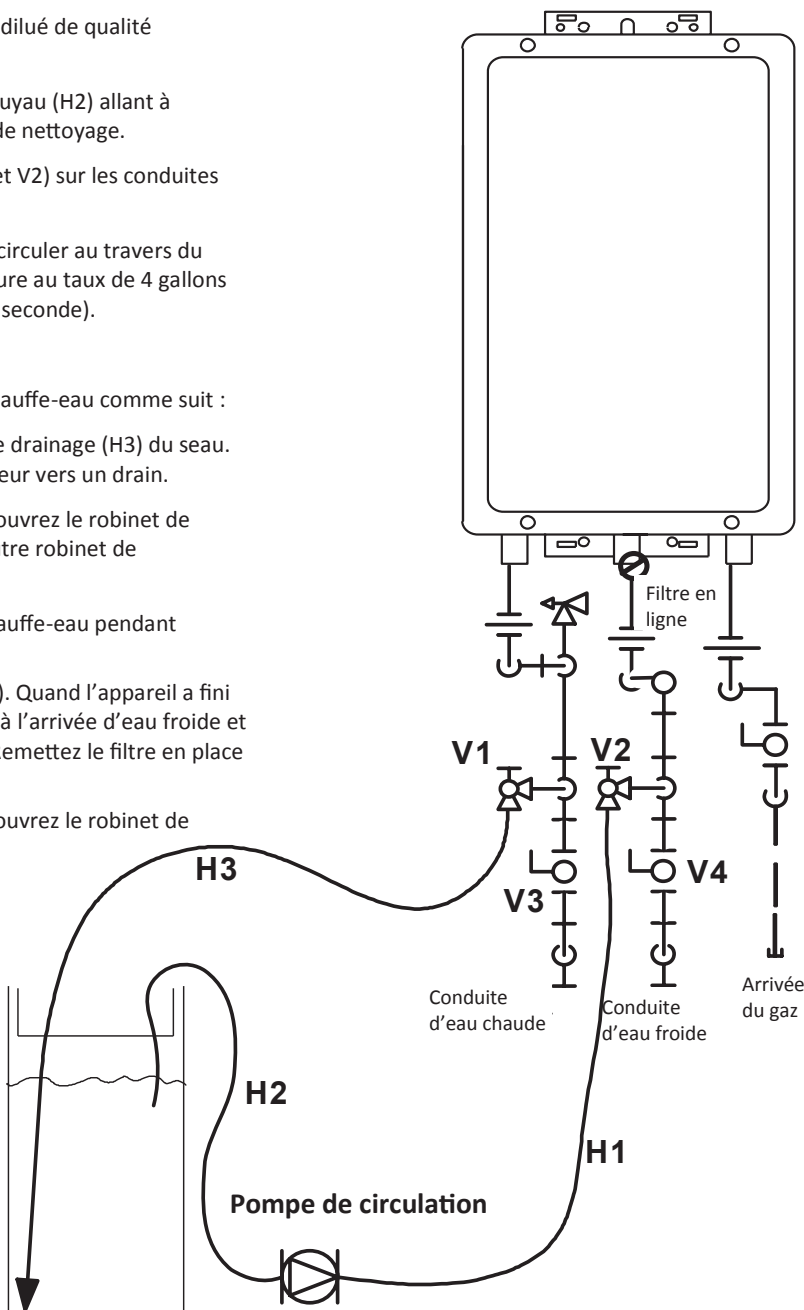
Un code de diagnostic LC0~LC9 ou "00" ou 58 indique que le chauffe-eau commence à s'entartre et doit être rincé. Ne pas le faire endommagerait son échangeur thermique. Des dommages causés par une accumulation de tartre ne sont pas couverts par la garantie de l'appareil. Rinnai recommande fortement l'installation de vannes d'isolement pour permettre un rinçage de l'échangeur thermique.

1. Débranchez l'alimentation électrique du chauffe-eau
2. Fermez les vannes de coupure sur les conduites d'eau chaude et d'eau froide sur les conduites d'eau chaude et d'eau froide (V3 et V4).
3. Branchez le tuyau de sortie de pompe (H1) sur la conduite d'eau froide au niveau de la vanne de service (V2).
4. Branchez un tuyau de drainage (H3) sur le robinet de service (V1).
5. Versez 4 gallons de vinaigre blanc non dilué de qualité alimentaire dans un seau.
6. Placez le tuyau de drainage (H3) et le tuyau (H2) allant à l'entrée de la pompe dans la solution de nettoyage.
7. Ouvrez les deux vannes de service (V1 et V2) sur les conduites d'eau chaude et d'eau froide.
8. Activez la pompe et laissez le vinaigre circuler au travers du chauffe-eau pendant au moins une heure au taux de 4 gallons par minute (soit un quart de litre à la seconde).
9. Arrêtez la pompe.
10. Chassez la solution de nettoyage du chauffe-eau comme suit :
 - a. Enlevez l'extrémité libre du tuyau de drainage (H3) du seau. Mettez-le dans un évier ou à l'extérieur vers un drain.
 - b. Fermez la vanne de service (V2), et ouvrez le robinet de coupure (V4). Mais n'ouvrez pas l'autre robinet de coupure (V3).
 - c. Laissez l'eau couler au travers du chauffe-eau pendant 5 minutes.
 - d. Refermez le robinet de coupure (V4). Quand l'appareil a fini de se vider, enlevez le filtre en ligne à l'arrivée d'eau froide et nettoyez-le pour ôter tous résidus. Remettez le filtre en place et ouvrez le robinet (VA).
 - e. Fermez la vanne de service (V1), et ouvrez le robinet de coupure (V3).
11. Enlevez tous les tuyaux.
12. Rebranchez l'alimentation électrique du chauffe-eau

Suite à la procédure de rinçage, appelez l'assistance technique (1-800-621-9419) pour des informations sur la restauration de la carte de circuit imprimé.

LÉGENDES

	Robinet à boisseau 3/4"		Régulateur de pression
	Raccord-union 3/4"		Pompe de circulation
	Clapet anti-retour		Vanne de drainage de chauffe-eau
	Soupape de décharge		Électrovanne



Vidange manuelle du chauffe-eau



AVERTISSEMENT

Pour éviter des brûlures, attendez que l'équipement ait refroidi avant de vidanger l'eau. L'eau restera longtemps chaude dans l'appareil après son arrêt.

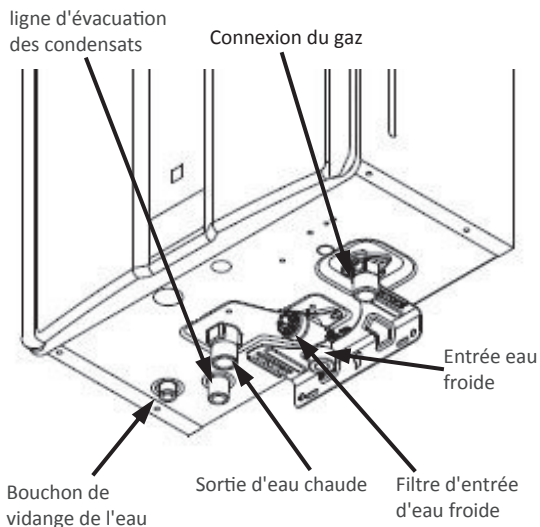
Si le chauffe-eau ne doit pas être utilisé durant une période où il pourrait geler, il est recommandé que l'eau à l'intérieur soit vidangée.

Pour vidanger manuellement le chauffe-eau :

1. Coupez les alimentations en eau froide et en gaz
2. Coupez le contrôleur de température (se il est installé).
3. Débranchez l'alimentation électrique du chauffe-eau.
4. Positionnez un récipient pour récupérer l'eau. Ouvrez un robinet d'eau froide ou ôtez le bouchon de drainage d'eau chaude à la sortie de l'eau chaude.
5. Enlevez le filtre d'entrée d'eau pour drainer l'eau froide.
6. Dévissez le bouchon de drainage d'eau de la conduite de drainage près de la sortie de l'eau chaude.
7. Enlevez le bouchon de drainage du piège à condensats et laissez-le se vider.

Pour reprendre un fonctionnement normal :

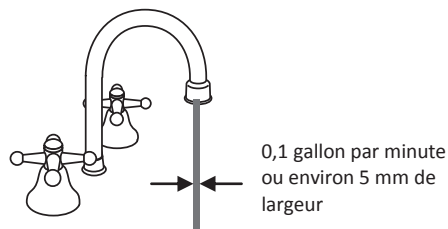
1. Confirmez que tous les bouchons de vidange sont ôtés, que l'arrivée de gaz est coupée, et que tous les robinets sont fermés.
2. Insérez le bouchon de drainage du piège à condensats.
3. Revissez les bouchons de drainage de l'eau (Évitez de trop serrer).
4. Vissez le filtre à eau dans l'entrée pour eau froide.
5. Ouvrez l'alimentation en eau froide.
6. Ouvrez un robinet et confirmez qu'il en sort de l'eau, puis refermez-le.
7. Rétablissez l'alimentation électrique.
8. Après la confirmation que le contrôleur de température est désactivé (se il est installé), ouvrez l'alimentation en gaz.
9. Activez le contrôleur de température (se il est installé).



Écoulement à faible volume d'eau au travers du chauffe-eau pour éviter le gel

Si l'abaissement de température ambiante va plus loin que la capacité d'autoprotection du chauffe-eau contre le gel, ou s'il y a une coupure du secteur, les étapes qui suivent peuvent empêcher que le chauffe-eau et les conduites extérieures ne gèlent : (Des appareils reliés avec EZ Connect (lien entre deux chauffe-eau) doivent être vidangés pour éviter leur gel s'ils ne sont pas en utilisation.)

1. Passez le chauffe-eau à l'arrêt.
2. Fermez la vanne d'arrivée du gaz.
3. Ouvrez un robinet d'eau chaude afin de faire couler environ 0,1 gallon par minute, ou laissez sortir un flot d'environ 5 mm d'épaisseur.



Si le chauffe-eau ou de la tuyauterie extérieur ont gelé

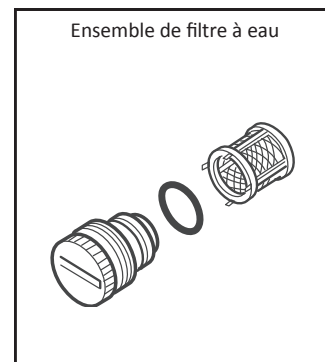
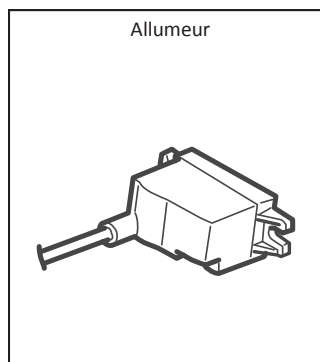
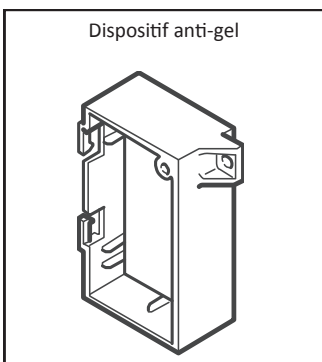
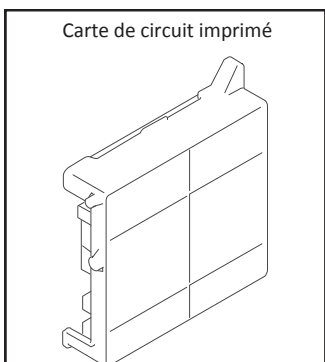
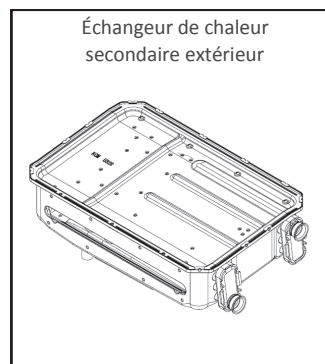
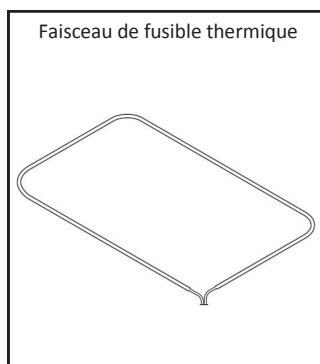
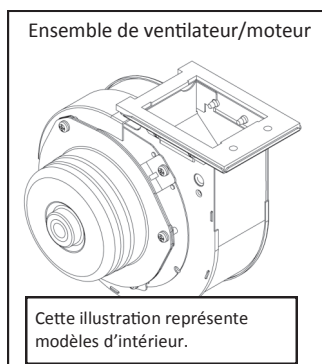
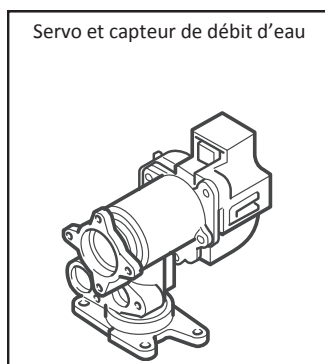
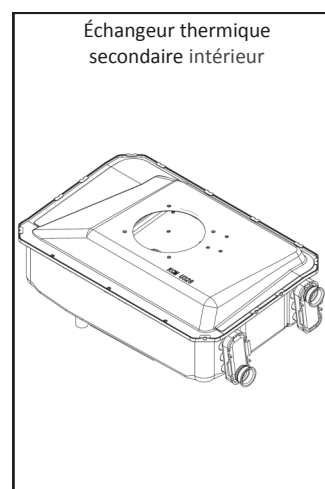
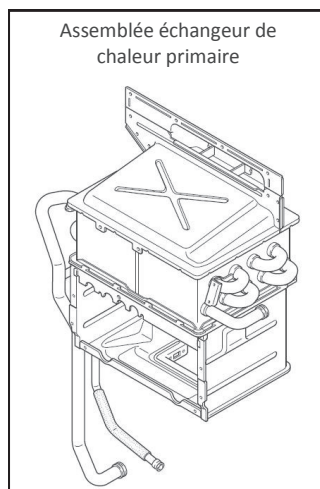
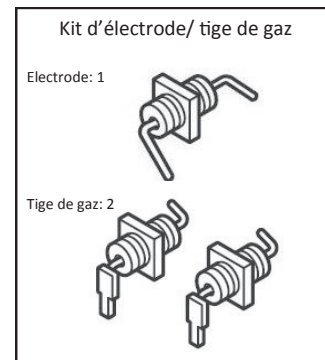
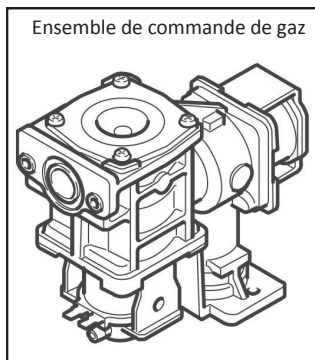
1. Ne faites pas fonctionner le chauffe-eau si lui-même ou une conduite extérieure a gelé.
2. Fermez les vannes de gaz et d'eau et coupez l'alimentation électrique.
3. Attendez que l'eau se dégèle. Contrôlez-le en ouvrant la vanne d'alimentation en eau.
4. Cherchez des fuites au niveau du chauffe-eau et des conduites.

Pièces de rechange

La fiche technique, qui est située sur la face intérieure du couvercle avant du chauffe-eau, contient une liste complète illustrée des pièces.

(Les images sont à des fins d'illustration seulement, pièces réelles peuvent être différentes d'apparence.)

	N° d'article de la fiche technique
Ensemble de commande de gaz	100
Kit d'électrode/ tige de gaz	116, 117
Ensemble de ventilateur/moteur	137
Assemblée échangeur de chaleur primaire	138
Échangeur de chaleur secondaire intérieur	160
Échangeur de chaleur secondaire	161
Servo et capteur de débit d'eau	401
Ensemble de filtre à eau	412
Carte de circuit imprimé	700
Dispositif anti-gel	701
Allumeur	706
Faisceau de fusible thermique	723



Garantie limitée pour RUCS65 & RUCS75 Value Series Chauffe Eau

Ce qui est couvert

La garantie limitée standard de Rinnai couvre tous les défauts dus aux matériaux ou à la main-d'œuvre quand le produit est installé et exploité en conformité avec les instructions d'installation écrites de Rinnai, en fonction des termes de ce document de garantie limitée. Cette garantie limitée se applique uniquement aux produits qui sont installés correctement dans les États-Unis et au Canada. Une mauvaise installation peut rendre caduque cette garantie limitée. Il est exigé que vous fassiez appel à un professionnel agréé ayant suivi le cours de formation à l'installation de Rinnai avant d'installer ce chauffe-eau. Cette couverture de garantie se applique aux installations résidentielles, et non pour des applications commerciales, (aucune installation autre qu'une résidence unifamiliale). La couverture de cette garantie limitée comme décrite dans le tableau ci-dessous s'applique pour l'acheteur d'origine et les propriétaires successifs, mais uniquement si le produit reste sur le lieu de son installation d'origine. Si le produit est déplacé et réinstallé ailleurs, cette garantie se termine et n'a été applicable que pour la première installation d'origine du produit.

Durée de la couverture sous garantie

Article	Période de couverture (à partir de la date d'achat)	
	Applications résidentielles	Si elle est utilisée pour le chauffage de l'eau et de l'espace des fins résidentielles de chauffage
Échangeur thermique	12 ans [1] [2]	10 ans [1]
Autres pièces et composants	5 ans [1]	5 ans [1]
Main-d'œuvre raisonnable	1 an [4]	1 an

[1] Période de couverture est réduite à 3 ans à dater de l'achat lorsqu'il est utilisé comme chauffe-eau de recirculation dans une boucle de recirculation d'eau chaude, où le chauffe-eau est en série avec un système de recirculation et toute l'eau remise en circulation se écoule à travers le chauffe-eau, et où une aquastat / thermostat, minuterie, ou un système de recirculation à la demande ne sont pas intégrés.

[2] La garantie Rinnai limitée pour un échangeur de chaleur utilisé dans un système de recirculation qui est contrôlé par un aquastat / thermostat, ou une minuterie, ou un système à la demande est de 12 ans pour les applications résidentielles.

Remède apporté par Rinnai

Rinnai va réparer ou remplacer le produit couvert, ou n'importe quels de ses parties ou composants étant défectueux du fait des matériaux ou de la main-d'œuvre, comme c'est explicité dans le tableau précédent. Rinnai va prendre en charge des charges de main-d'œuvre raisonnables associées à la réparation ou au remplacement de pièces/composants, durant la période de garantie pour la main-d'œuvre. Toutes les pièces de réparation seront des pièces Rinnai d'origine. Toutes les réparations ou les remplacements seront effectués par un professionnel agréé convenablement formé, habilité dans l'État ou la Province pour ce type de réparations.

Le remplacement du produit ne peut être autorisé que par Rinnai, à sa seule discrétion. Rinnai n'autorise aucune personne ou société à assumer pour cela une quelconque obligation ou responsabilité de remplacement du produit. Si Rinnai détermine qu'une réparation d'un produit est impossible, Rinnai peut le remplacer par un produit comparable à sa seule discrétion. Si un composant ou produit retourné à Rinnai s'avère exempt de défauts dus aux matériaux ou à la main-d'œuvre, ou endommagé par une installation, un usage ou un fonctionnement inappropriés, ou abîmé pendant le transport de renvoi, la demande d'exercice de garantie pour produit, pièces et main-d'œuvre sera rejetée.

Obtention d'un service sous garantie

Vous devez contacter un professionnel agréé pour la réparation du produit sous cette garantie limitée. Pour obtenir le nom d'un professionnel agréé veuillez contacter votre lieu d'achat, visiter le site Web de Rinnai (www.rinnai.us), appeler Rinnai au 1-800-621-9419, ou bien écrire à Rinnai (103 International Drive, Peachtree City, Georgia 30269, USA).

Une preuve de l'achat est obligatoire pour obtenir un service sous garantie. Vous pouvez présenter une preuve de l'achat par une facture datée, ou bien *en enregistrant le produit dans les 30 jours suivant son achat*. Pour enregistrer votre chauffe-eau sans réservoir, veuillez aller sur le www.rinnai.us. Si vous n'avez pas accès à Internet, veuillez appeler 1-866-RINNAI 1 (746-6241). Un reçu de l'enregistrement par Rinnai constituera une preuve d'achat pour ce produit. L'enregistrement d'un produit installé dans une nouvelle construction de domicile peut être vérifié avec une copie des documents de finalisation fournis par l'acheteur initial. Cependant un enregistrement n'est pas obligatoire pour faire jouer cette garantie limitée.

Ce qui n'est pas couvert

Cette garantie limitée ne couvre pas des pannes ou des difficultés de fonctionnement dues à ces causes :

- Accident, abus ou mésusage
- Altération du produit ou de ses composants
- Mauvaise utilisation de ce produit
- Mauvaise installation de ce produit (liste non limitative)
 - ◇ Installation incorrecte en environnement corrosif
 - ◇ Dommages par des condensats
 - ◇ Ventilation inappropriée
 - ◇ Type de gaz incorrect
 - ◇ Pression de gaz ou d'eau incorrecte
 - ◇ Absence de bac de drainage sous l'appareil
- Entretien incorrect (comme sans y être limité entartrage, dégâts dus au gel ou obstruction de ventilation)
- Mauvaise calibration
- Toute autre cause sans relation avec les matériaux ou la main-d'œuvre de construction
- Problèmes ou dommages dus à incendie, inondation, surtension secteur, gel ou n'importe quelle catastrophe naturelle
- tout dommage causé par une mauvaise qualité de l'eau
- fonctionnement du chauffe-eau avec d'autres que l'eau potable ne importe quoi à tout moment
- Cas de force majeure

Il n'y a pas de couverture sous garantie pour un produit installé dans une installation en boucle fermée, en général associée à des applications pour chauffage d'espace uniquement.

L'utilisation d'un contrôleur MCC-91-2 dans un local résidentiel réduira la couverture de garantie à celle d'une application commerciale, sauf si un MCC-91-2 est utilisé avec un groupe de traitement d'air hydronique pour des températures ne dépassant pas 160°F (71 °C).

Cette garantie limitée ne s'applique plus pour tout produit dont le numéro de série ou la date de fabrication ont été effacés.

Cette garantie limitée ne couvre pas tout produit utilisé dans une application utilisant de l'eau traitée chimiquement, comme pour une piscine ou un spa.

Limitations des garanties

Personne n'est autorisé à exprimer toute autre garantie au nom de la Rinnai America Corporation. Sauf ce qui est formulé expressément ici, il n'y a pas d'autres garanties, explicites ou implicites, incluant sans y être limité les garanties de valeur marchande ou d'adéquation pour une finalité spécifique, d'une portée plus large que la description dans ce chapitre.

Toutes les garanties de valeur marchande ou d'adéquation pour une finalité spécifique soulevées éventuellement par la loi d'une province sont limitées en durée à celle de la couverture fournie par cette garantie limitée, sauf si la période indiquée par la loi de la province est encore plus courte. Certaines provinces ne permettent pas de limitations sur la durée des garanties implicites, la limitation précédente peut donc ne pas s'appliquer pour vous.

Rinnai ne sera pas tenu pour responsable pour tous dommages indirects, accessoires, spéciaux, consécutifs ou du même genre, qui pourraient survenir, incluant les pertes de profit, les dommages aux personnes et aux biens, la perte d'usage, la gêne occasionnée, ou la responsabilité découlant d'une installation, d'une intervention de service ou d'une utilisation incorrectes. Certaines provinces ne permettent pas l'exclusion ou la limitation des dommages consécutifs ou annexes, de ce fait la limitation qui précède peut ne pas s'appliquer à votre cas.

Cette garantie vous donne des droits légaux spécifiques, et vous pouvez aussi avoir d'autres droits légaux qui peuvent varier d'une province à une autre.

www.rinnai.us/warranty

A tradition of **TRUE RELIABILITY.**

For nearly 100 years, we at Rinnai have been fiercely committed to delivering nothing less than a superior experience at every touch point.

Beyond manufacturing the highest quality products, our people stand behind all that we make—before, during and long after installation. From the 24/7/365 technical support for professionals, to our national network of independent installers, to on-staff engineers who can assist with choosing the right products and sizes—we're inspiring confidence right along with the comfort our solutions provide.



Rinnai[®]

Learn more about Rinnai high-performance Tankless Water Heaters,
Hybrid Water Heating Systems, Boilers, Vent-Free Fan Convectors
and EnergySaver[®] Direct Vent Wall Furnaces at:

rinnai.us

Rinnai America Corporation • 103 International Drive, Peachtree City, GA 30269
1-800-621-9419 • rinnai.us

©2017 Rinnai America Corporation. Rinnai America Corporation continually updates materials, and as such, content is subject to change without notice. Local, state provincial, federal and national fuel gas codes must be adhered to prior to and upon installation.