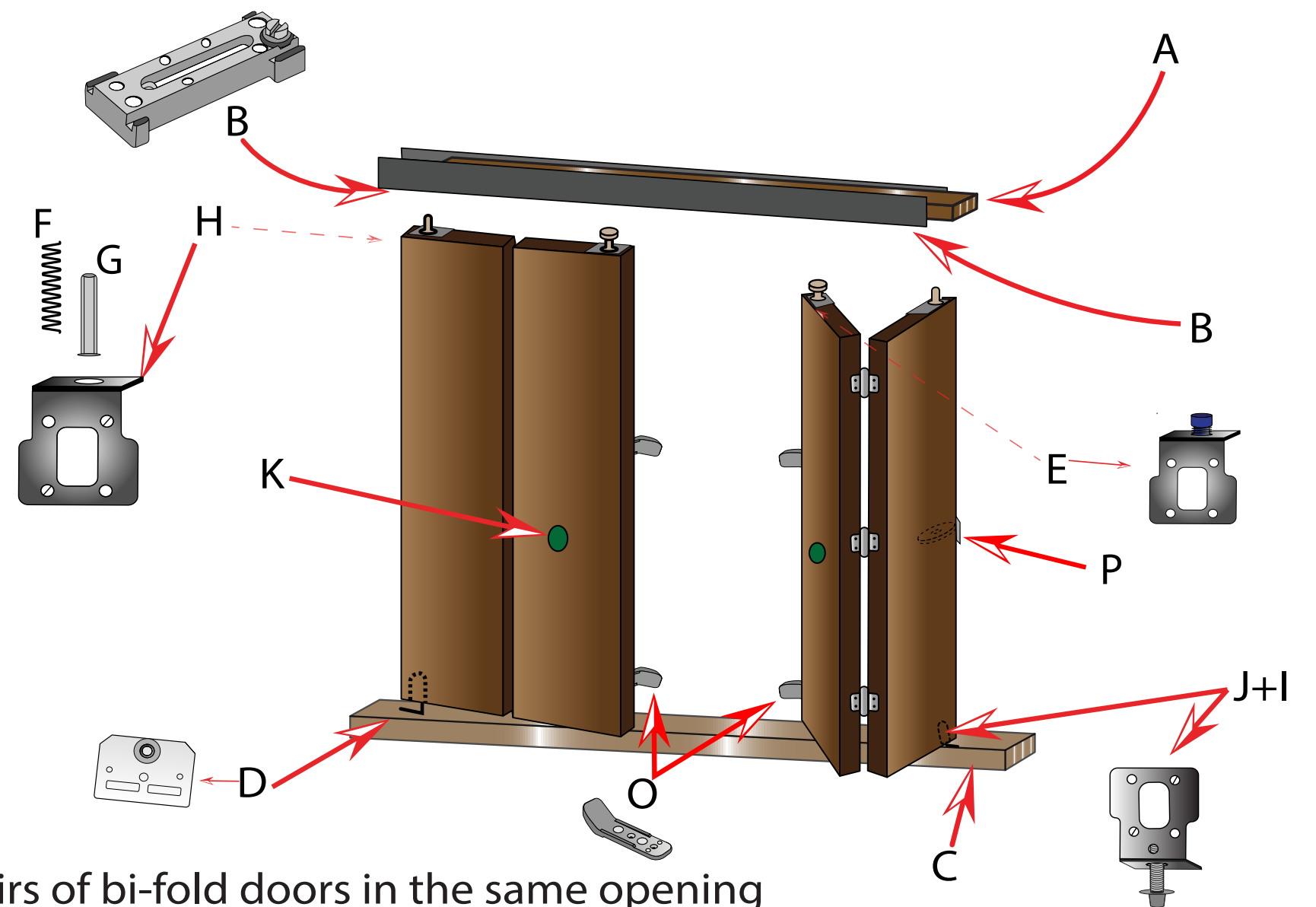


# HOW TO INSTALL BIFOLD DOORS - INSTRUCTION MANUAL.

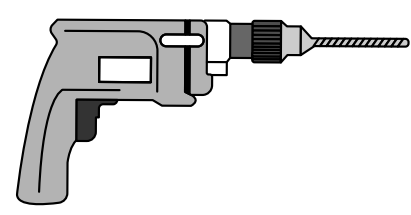
Following hardware included :

- (A) WOOD BLOCK
- (B) METAL TRACK (WITH PIVOT BLOCK INSERTED)
- (C) OAK SADDLE
- (D) METAL FLOOR PLATE
- (E) ROLLER BRACKET
- (F) SPRING
- (G) TOP PIVOT PIN
- (H) TOP PIVOT BRACKET
- (I) ADJUSTING BOLT
- (J) BOTTOM PIVOT BRACKET
- (K) HANDLE
- (L) 2 - 2.5" WOOD SCREWS
- (M) 22 - 5/8" #8 SCREWS
- (N) 2 - 1/2" #10 HEX HEAD SCREWS
- (O) PLASTIC DOOR ALIGNERS
- (P) DOOR TO WALL ALIGNER



\*Plastic Door Aligners(O) - only used when installing 2 pairs of bi-fold doors in the same opening

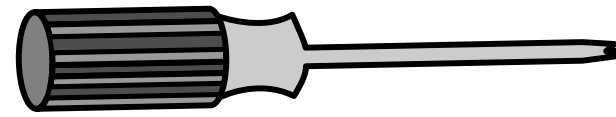
## TOOLS REQUIRED



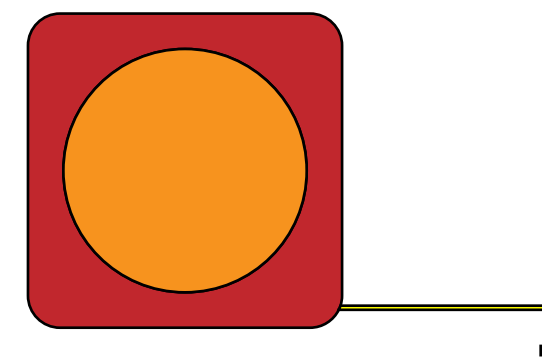
Drill



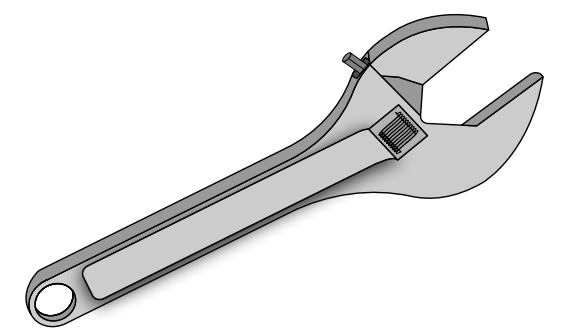
1/8" drill bit



Phillips screwdriver



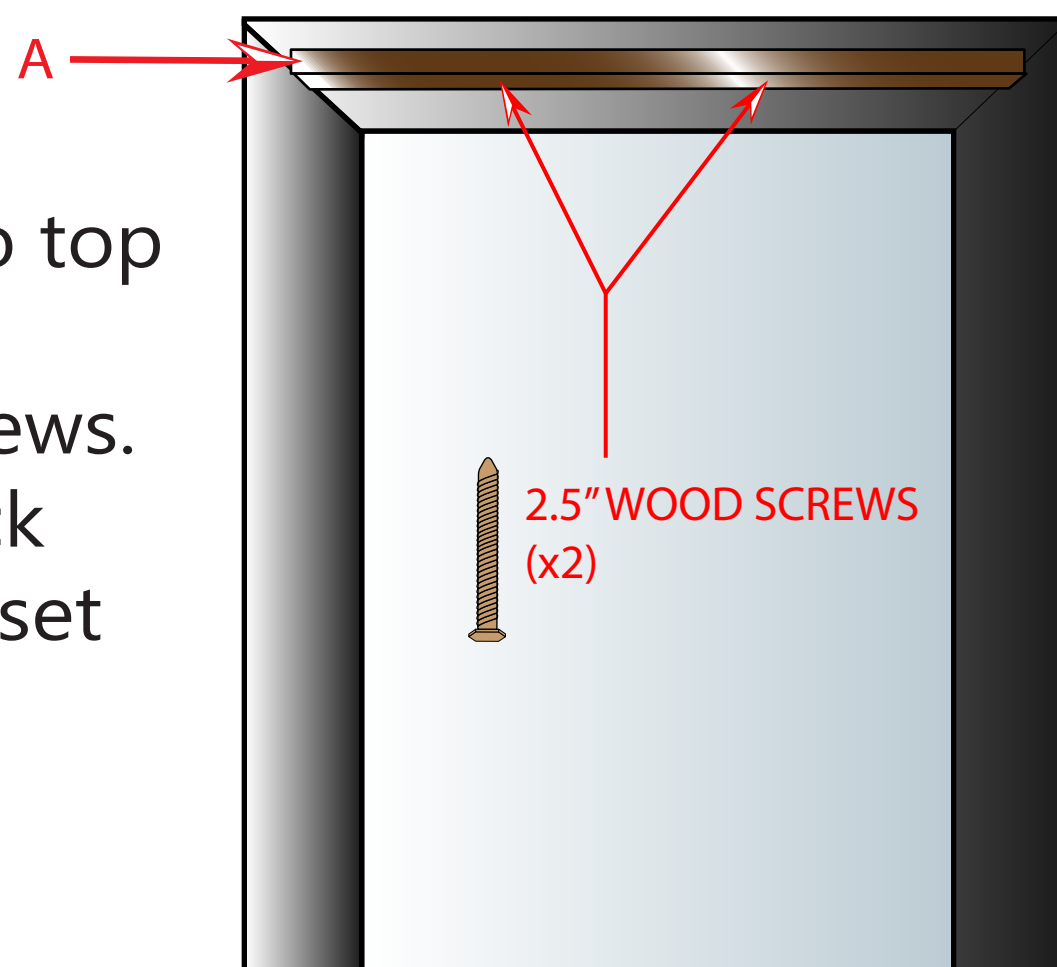
Tape measure



3/8" Wrench

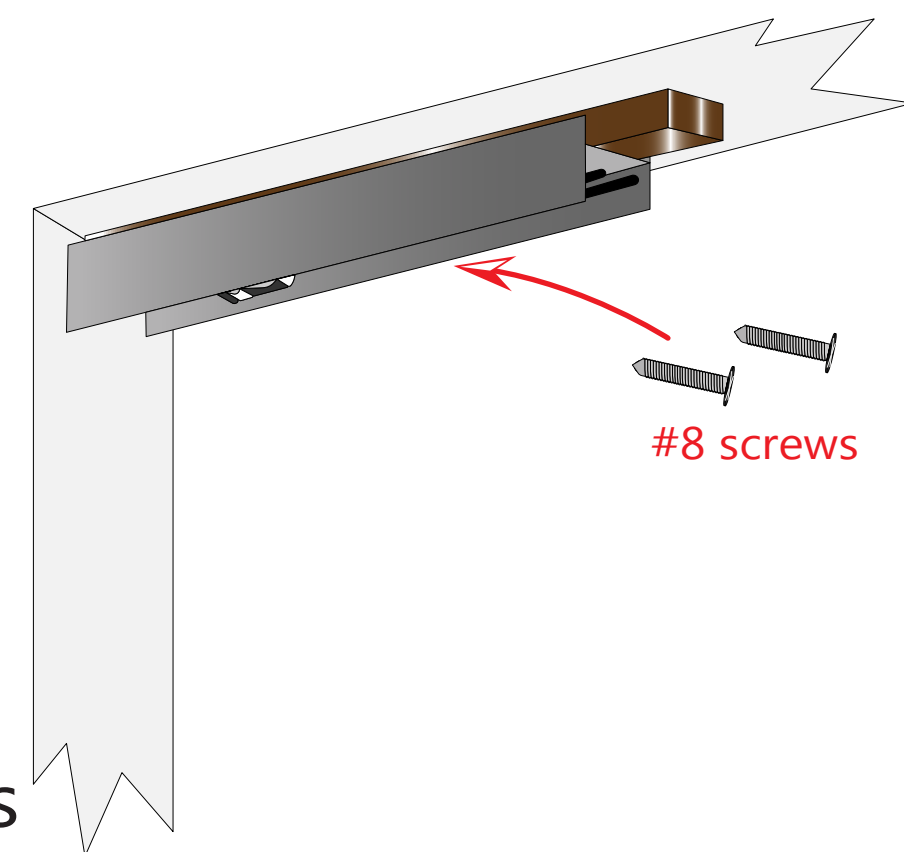
## STEP 1

Attach wood block (A) to top of closet opening using two-2.5" black wood screws. Block should sit 1/4" back from the edge of the closet door frame.



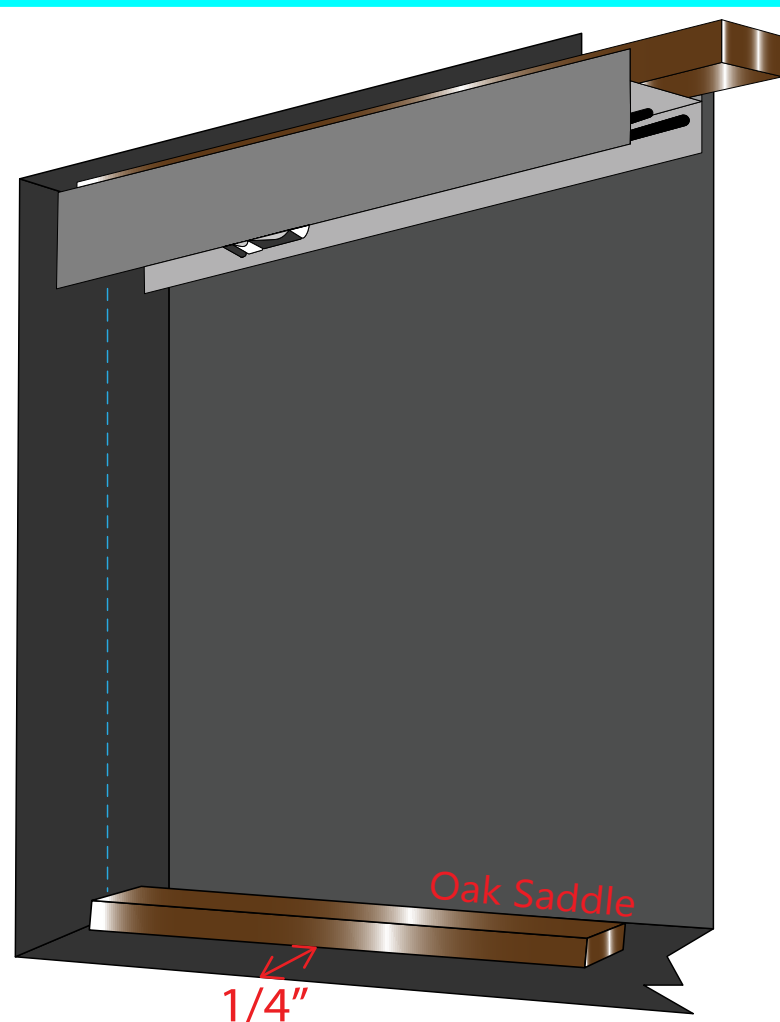
## STEP 2

With the flat side of the track facing the room push the metal track over the wooden block for snug fit. Make sure that pivot block is facing the side you want the door to open towards. Fasten track to the wood using two #8 screws through the two holes on the inside of the track.



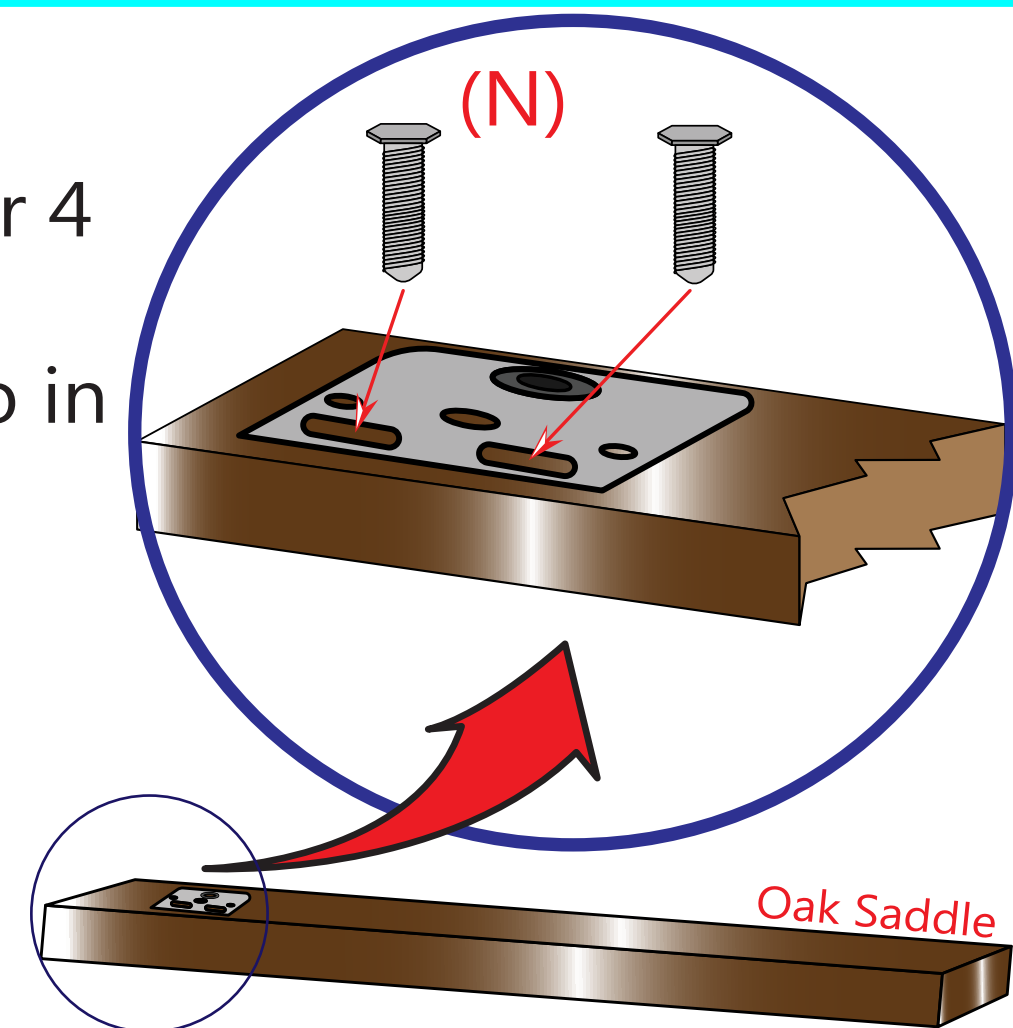
## STEP 3

Place Oak saddle (D) on floor, 1/4" back from closet opening front edge to align with metal track above. Holes in oak saddle go on same side as plastic pivot block. Door opening to left- holes go on left. Don't screw the saddle to the floor until the end of installation.



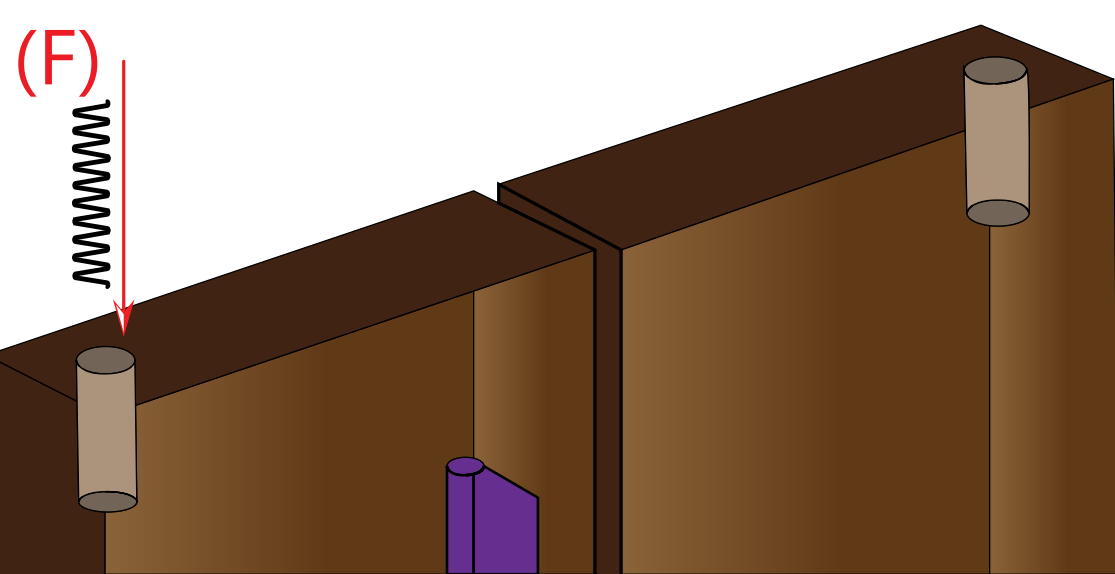
## STEP 4

Lay metal floor plate (E) over 4 holes drilled in oak saddle (D) (slotted holes in plate go in closet door). Fasten plate to saddle using 2-hex head screws (N) through slots in metal floor plate.



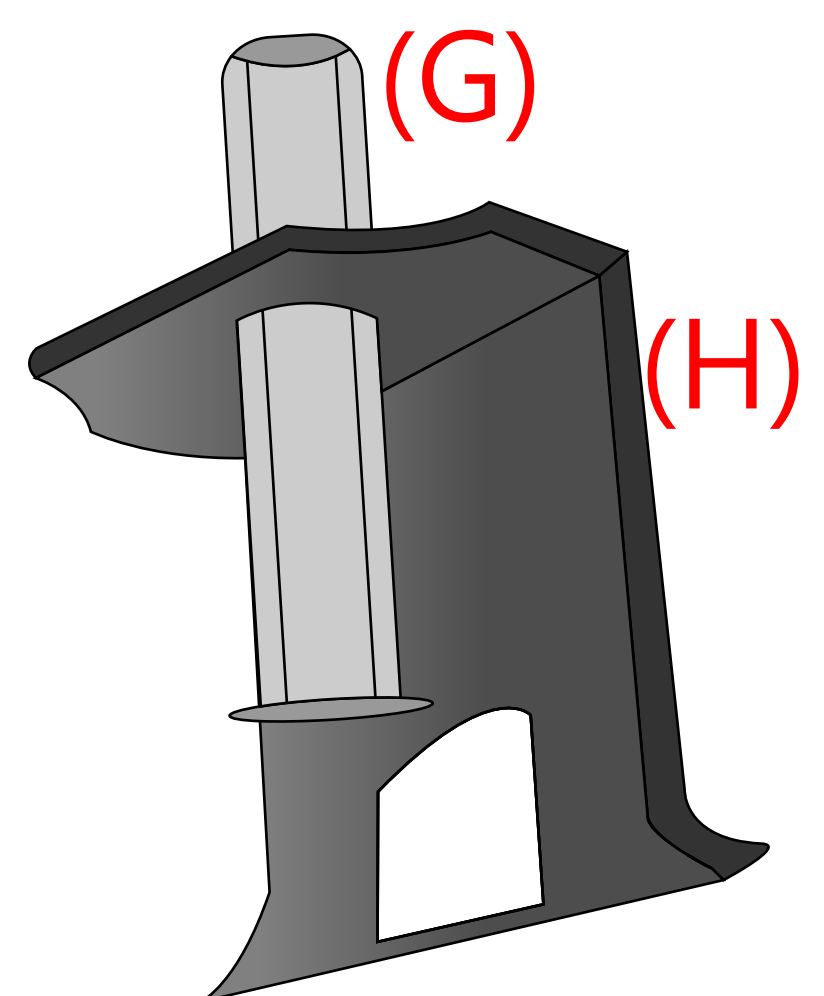
## STEP 5

Next open your door & lay it face down. - Drop spring into hole present on top of the door; door opening to left use hole in top left & vice versa.



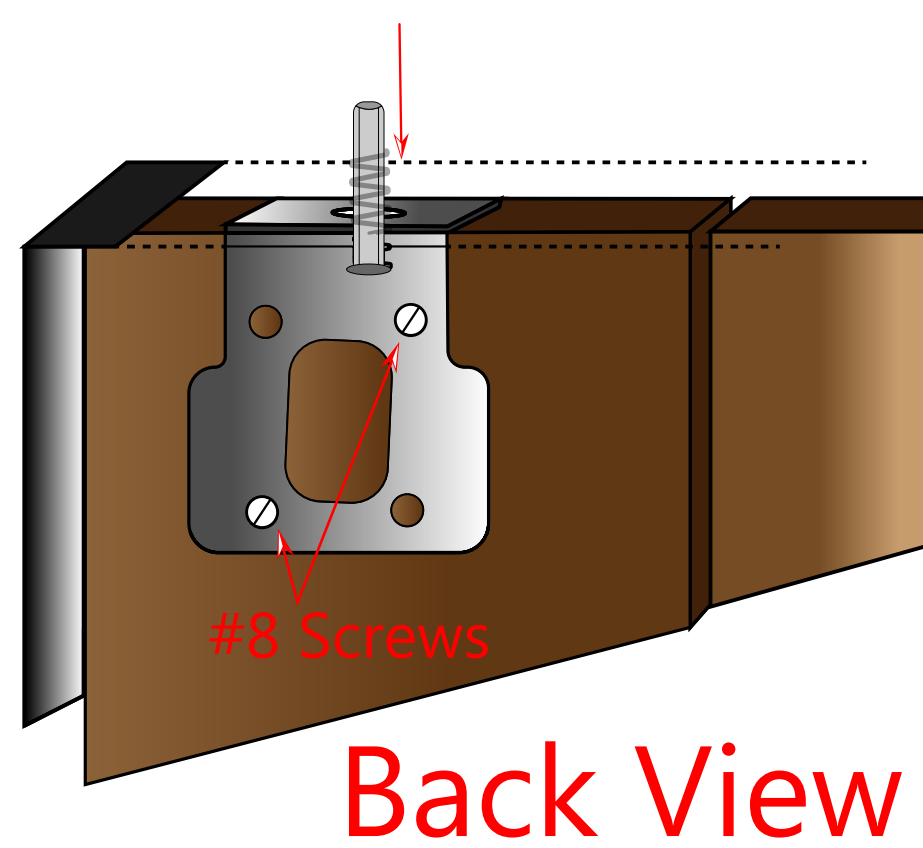
## STEP 6

Slide rounded end of Top Pivot pin (G) up through Top Pivot Bracket (H)



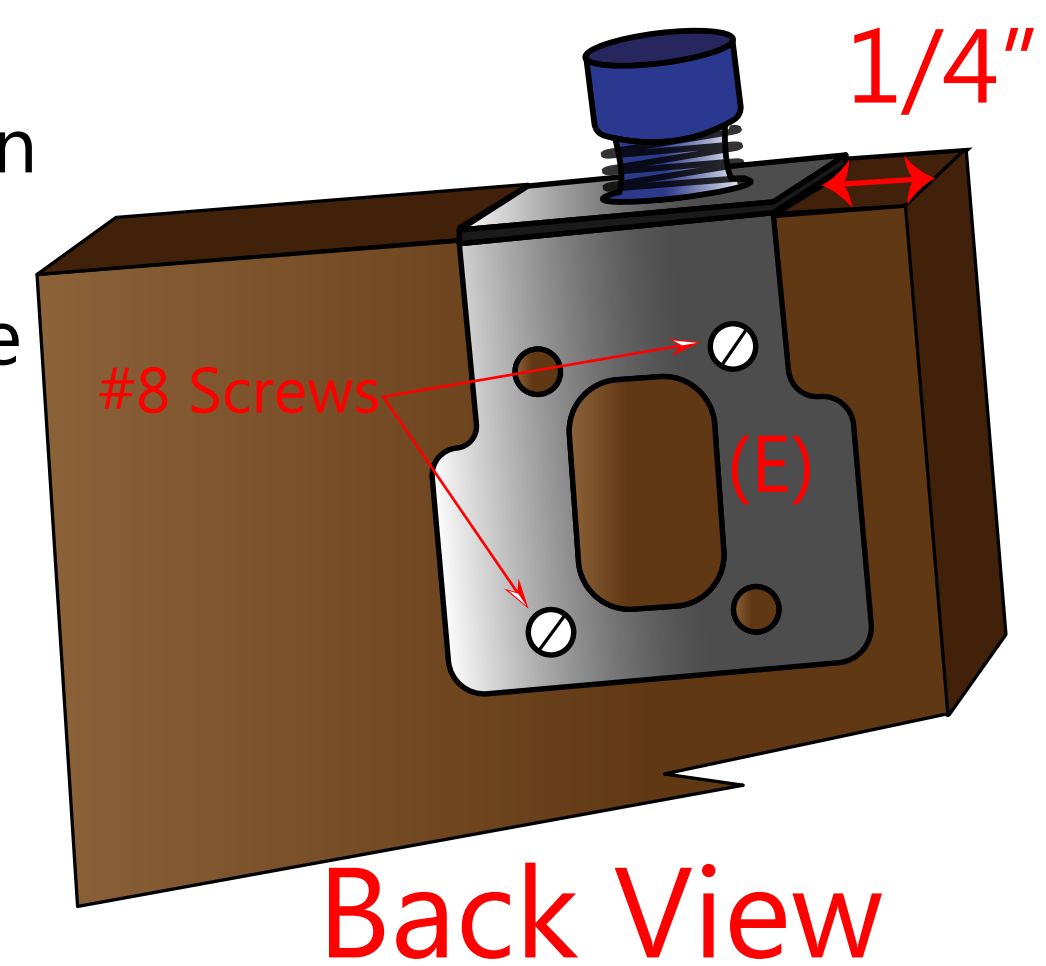
## STEP 7

Insert the previous assembly into spring hole as shown. Fasten Bracket(H) to back of door using two #8 screws & test for correct installation by pushing the Pivot Pin(G) into door. Pin should now be spring(F) loaded.



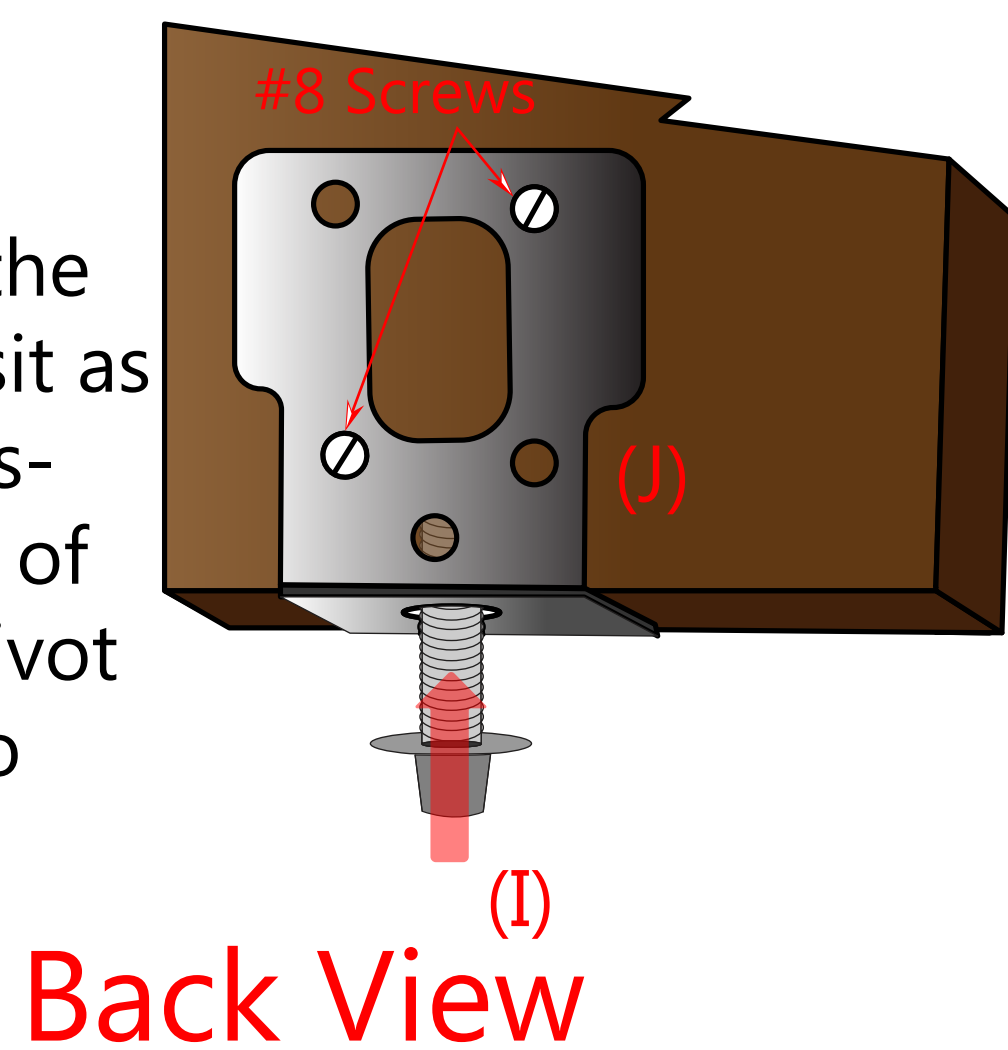
## STEP 8

Using two #8 screws, fasten Roller Bracket (E) at top of door 1/4" from edge of the opposite panel from the pivot bracket.



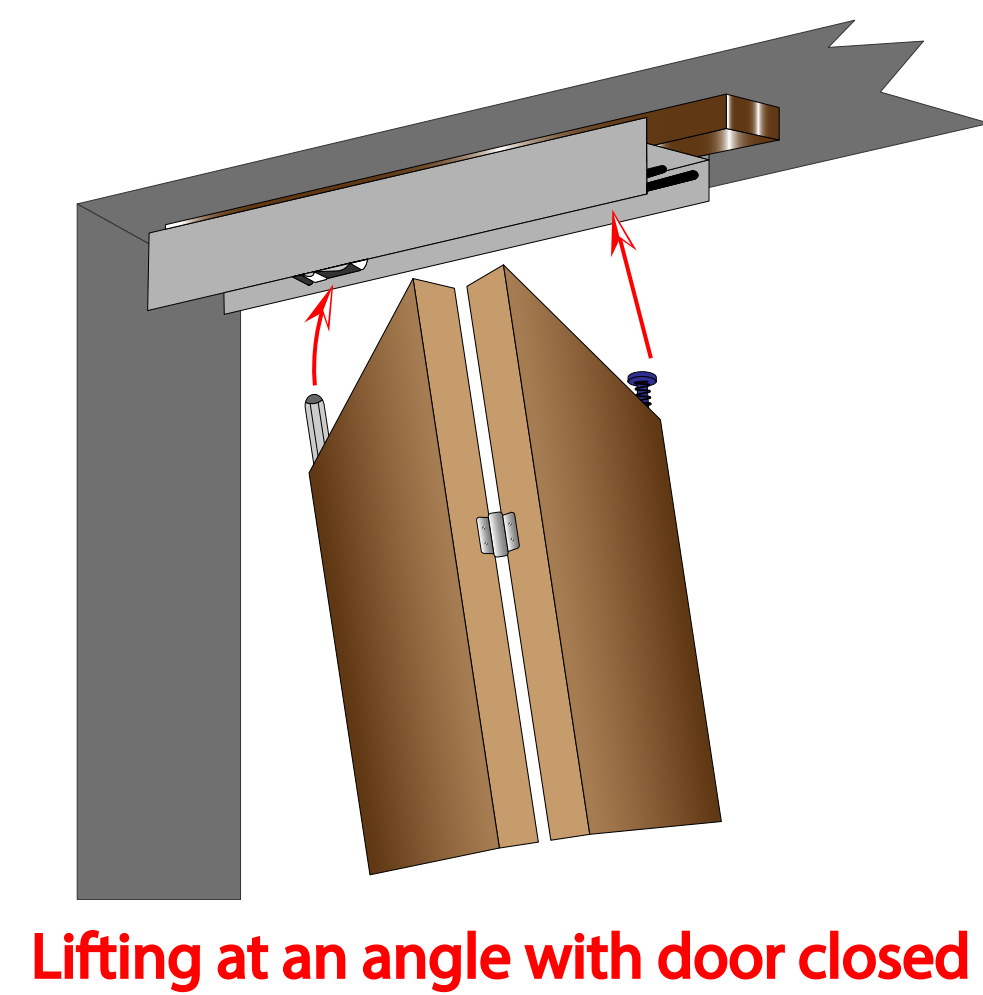
## STEP 9

Screw adjusting bolt(I) into Bottom Pivot Bracket(J) all the way up so the door would sit as low as possible. Insert this assembly into hole at bottom of door on the same side as Pivot Bracket(H). Fasten Bracket to bottom back of door using two #8 screws.



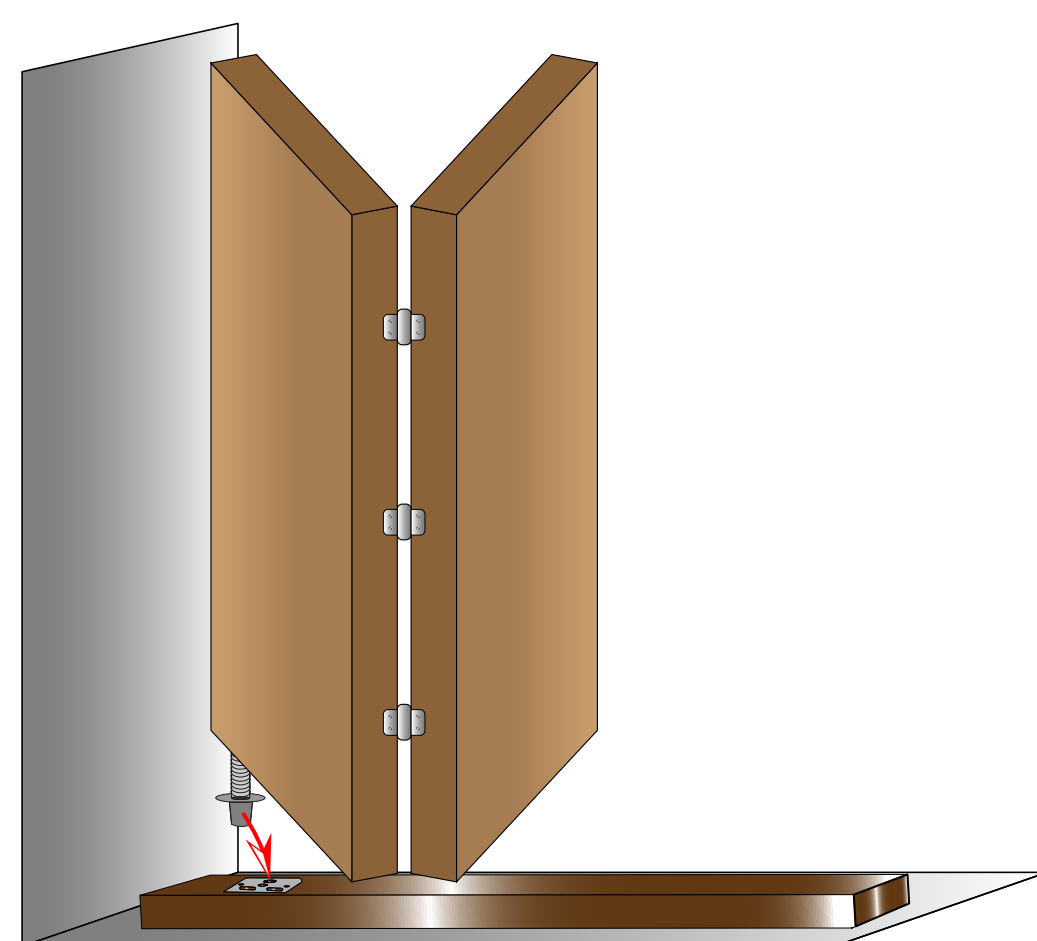
## STEP 10

Fold doors together & stand upright. Lift at an angle to fit pivot pin & roller into track.



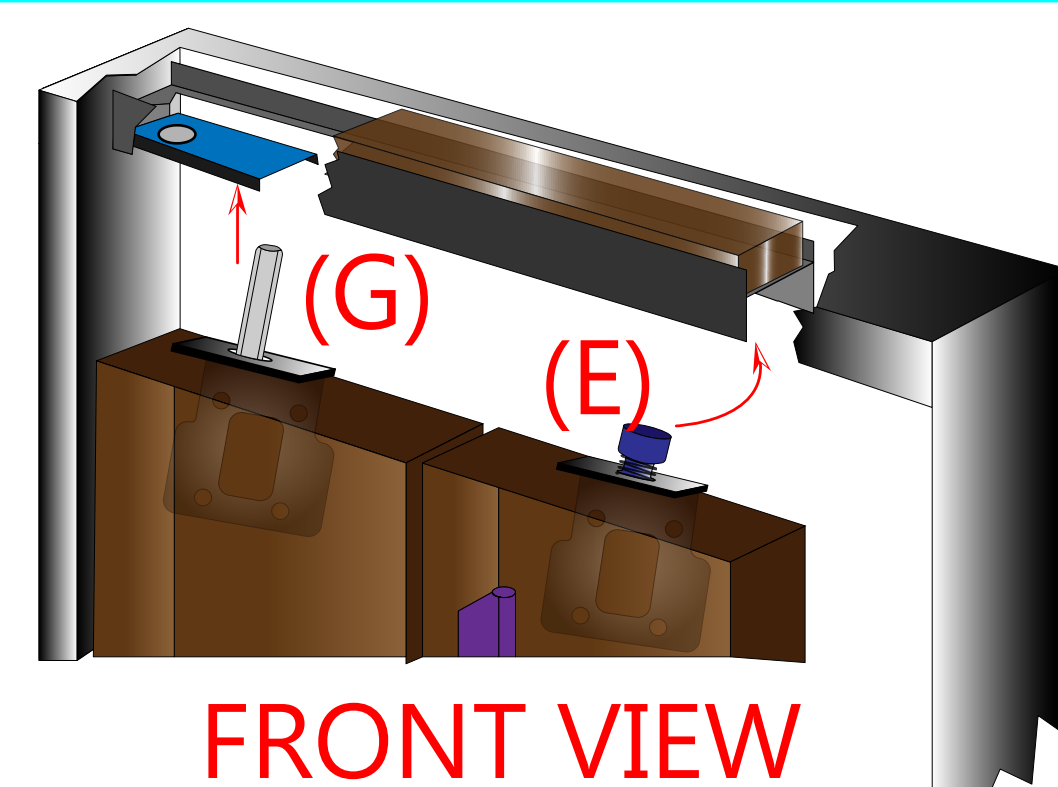
## STEP 11

Lift to fit bottom adjusting bolt(I) into cup on Metal Floor Plate.

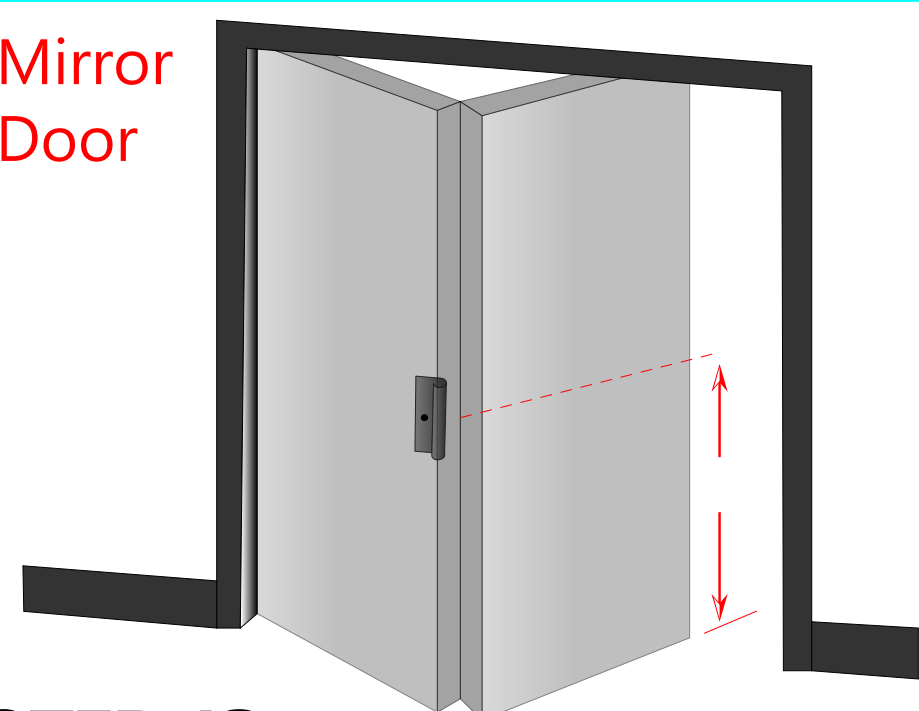


## STEP 12

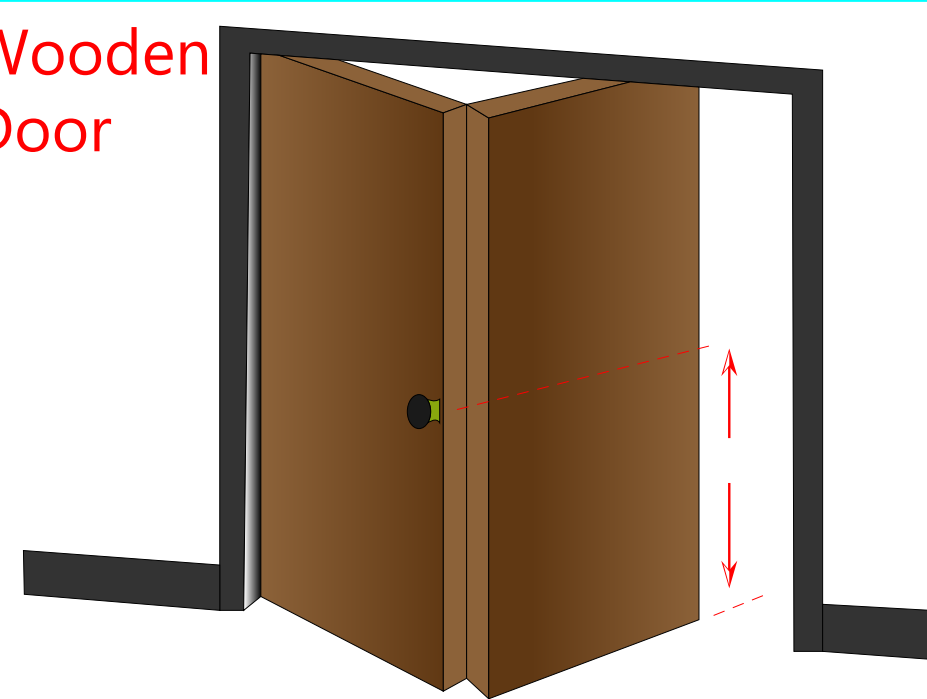
Slide pivot pin & roller slowly to straight position so that pin slides into top pivot bracket & into hole. Make sure that the roller stays in track. When pin snaps into hole, close door slowly making sure that there is at least 3/16" clearance between edge of door & wall.



Mirror Door



Wooden Door

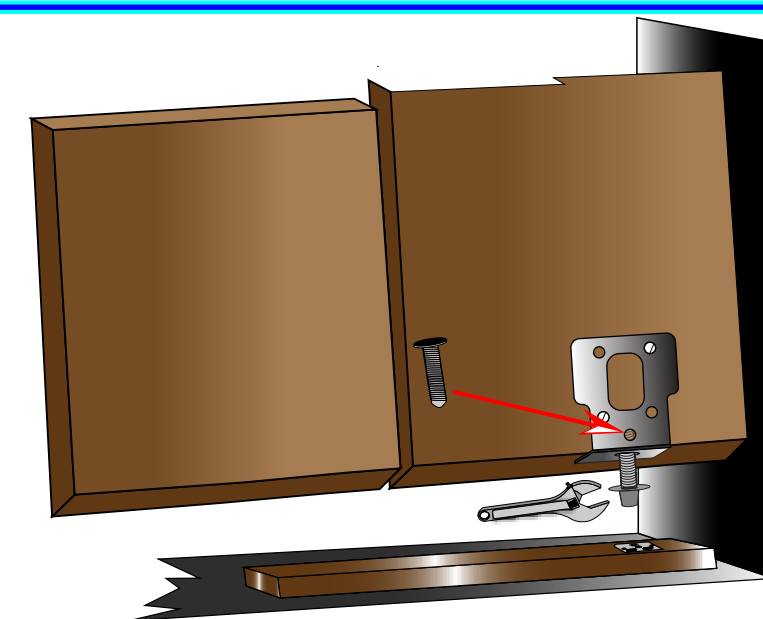


## STEP 13

Place Handle(K) [for wooden door] & Wrap-Around Handle [for mirror door] approx 39" from bottom of pivot panel. Handle goes between the hinged panels on the pivot panel. Fasten it to back of door using one #8 screw.

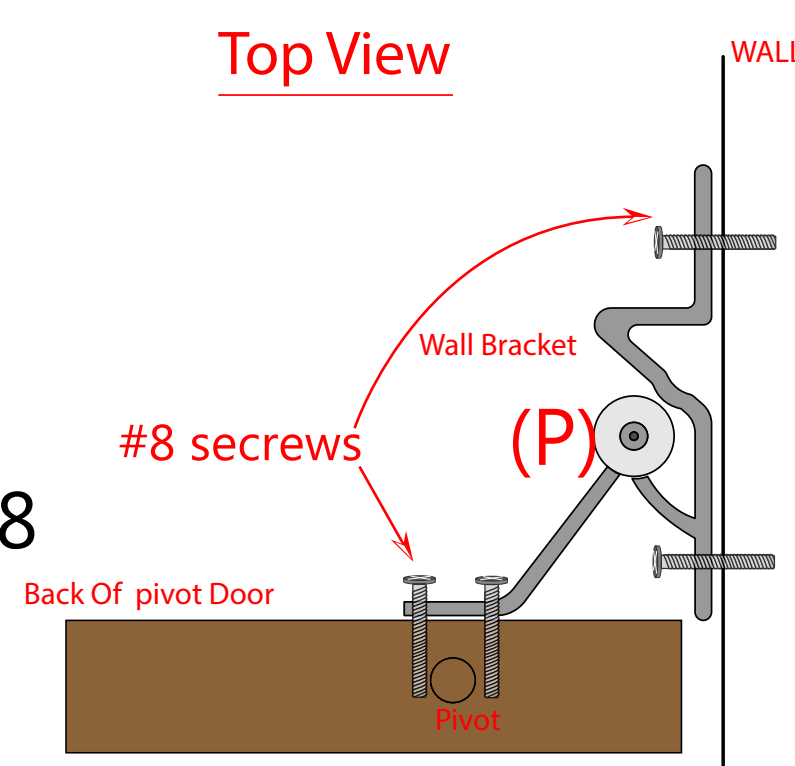
## STEP 14 (Door alignment):

To adjust height alignment, turn Bottom Adjusting Bolt to desired height. Use wrench to adjust screw. Lock height adjustment by screwing one #8 Screw (n) into smallest hole at back of Bottom Pivot Bracket. Now you can fasten the saddle. Fasten Saddle to floor, on wood floors we recommend 10D finish nails, first pre-drill holes using 1/8" bit to prevent wood from splitting. Cement floors require construction adhesive. To adjust width alignment, fold and hold doors firmly in place and loosen hex head screws on top of plastic block and metal floor plate. Position doors side to side for best fit and re-tighten hex head screws.



## STEP 15

On the center height of the door put wall to door Aligner(P) onto the pivot side of the door & the wall as shown. This will use two #8 screws for each side.



## FOR FOUR DOOR UNITS

Mount two wood blocks end-to-end at the top of the closet. Mount metal track end to end with reversible plastic block on far left and reversible plastic block on far right. Attach oak saddles end to end with drilled holes on far left and far right. Complete all other steps. **Additional Step:** Attach pairs of plastic door aligners approximately 2" and 36" from bottom of door.

