

# Instructions for Square Corner Cabinet Installation

**ATTN: FILLER BOARD AND COVER PANEL ARE STAPLED UNDERNEATH YOUR SQUARE CORNER BASE CABINET.**

**Parts Included:**

- (1) Blind Panel
- (1) Square Corner Cabinet
- (1) Filler Board

**Tools Needed:**

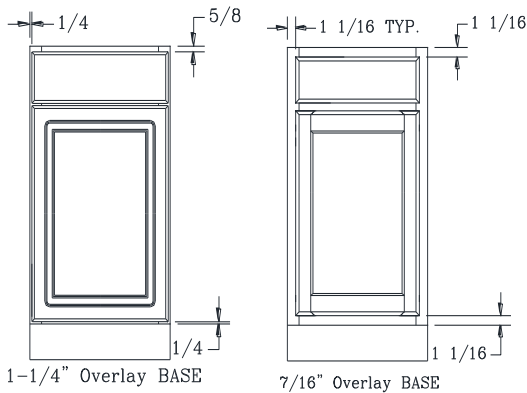
- Phillips Head Screwdriver, Tape Measure,
- Marking Tool, Drill with 7/64" Bit and 3/32" Bit, Saw

**Parts Needed:**

- (8) #6 x 1/2" Flat Head Screws
- (2) #10 X 2 1/2" Washer Head Screws
- (2) # 8 Flat Head Screws of Appropriate length

**Square Corner Cabinet Information:**

	X		Y	Z	
	Min. Pull	Min. Pull w/Hardware	Max. Pull	Min. Filler Required	Min. Filler Required w/Hardware
<b>1 1/4" Overlay</b>	3/4"	2 1/4"	12 1/2"	1"	2 1/2"
<b>7/16" Overlay</b>	1/4"	1 3/4"	12 1/2"	1/2"	2"



NOTE: To determine your cabinet's overlay, measure the distance from the drawer or door to the edge of the face frame and reference the drawing above.

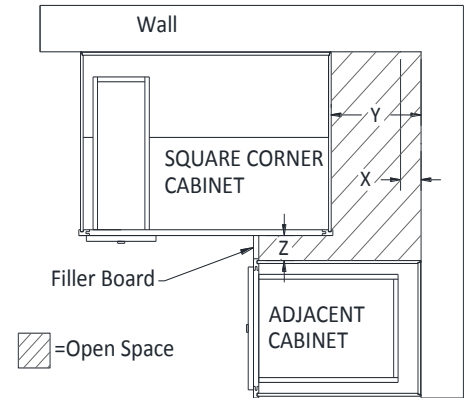
**KEY**

X: Minimum pull for Square Corner Cabinet

Y: Maximum pull for Square Corner Cabinet

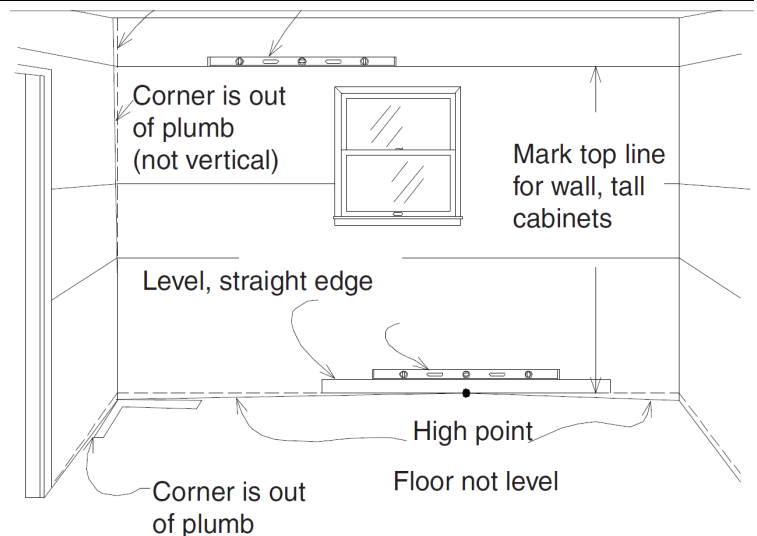
Z: Minimum filler size required between cabinets

→ Min. pull is defined when square corner or adjacent cabinet doors can be opened 90 deg. and/or drawers can be fully extended without hitting adjacent cabinet door/drawer when shut.



## STEP 1

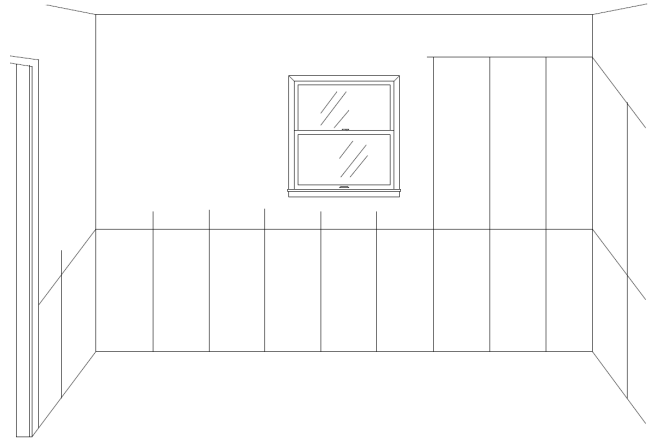
Remove baseboard and other objects on the wall area where the cabinets are to be installed. Using a straight edge and a level, find the high point in the floor where the cabinets are to be installed. From the high point, mark a level horizontal line on each wall where the cabinets will be attached. From the level lines mark another parallel level horizontal line 35" up for base cabinets, 54" for wall cabinets and 84", 90" or 96", depending upon your tall cabinet heights. The top of the base and tall cabinets and the bottom of the wall cabinets will be located at these marks.



---

## STEP 2

Locate the studs with a stud finder and mark where the cabinets are to be installed. Remove all the doors and drawers from the cabinets before installation. Measure the area to confirm that the kitchen design used will work.

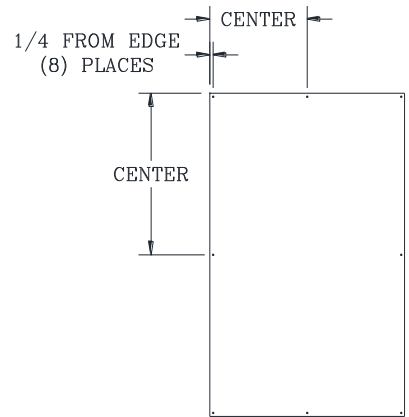


---

## STEP 3

The blind panel will need to be trimmed to size to fit over the opening of your square corner base cabinet. Then the blind panel will need to be drilled for installation. Mark the (8) hole locations shown to the right on the blind panel. All holes should be located 1/4" from edges of blind panel. Drill the (8) premarked locations with a 7/64" diameter drill bit through the panel.

\*Panel is located under cabinet with Filler Board

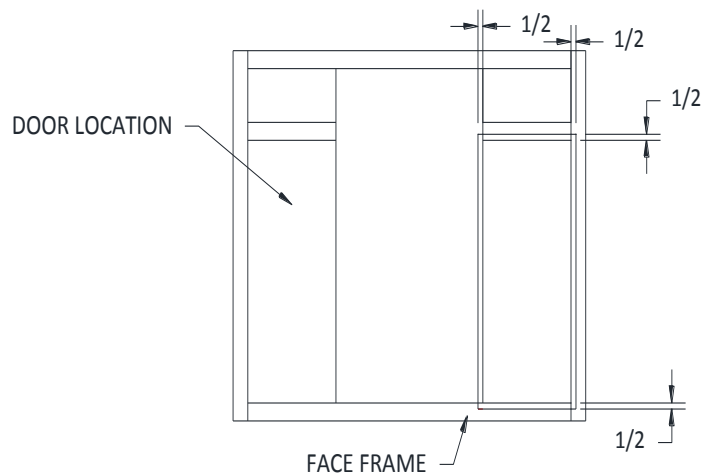


---

## STEP 4

Remove door and drawer from square corner cabinet. On the square corner opening side of the face frame (opening without door attached), a line 1/2" from the edge of the opening needs to be marked onto the face frame. This will locate the blind panel for attachment.

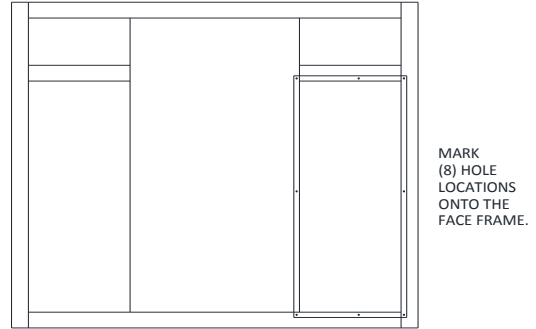
NOTE: Door can be placed on either side of the cabinet depending on design needs.



---

## STEP 5

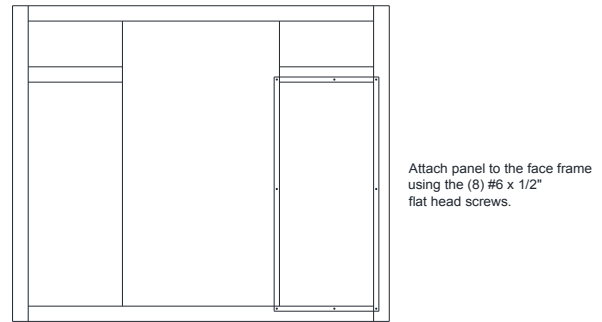
Place the predrilled blind panel onto the face frame using the markings placed on the face frame in the last step. Mark the predrilled hole locations from the blind panel onto the face frame. Remove the blind panel and predrill the face frame (8) places with a 7/64" diameter drill bit, 1/2" deep.



---

## STEP 6

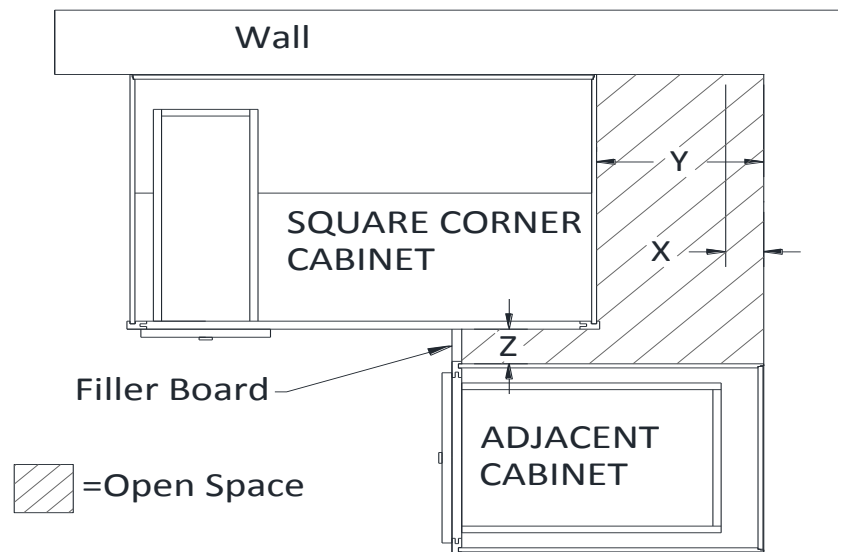
Attach the blind panel to the face frame using the recommended (8) #6 x 1/2" flat head screws. These screws must be purchased separately. Reattach the door and drawer front to the cabinet.



---

## STEP 7

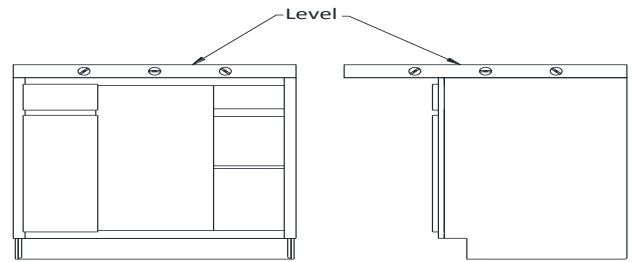
Position the Square Corner Base cabinet with reference to the specifications on page one. Do not secure to the wall yet.



---

## STEP 8

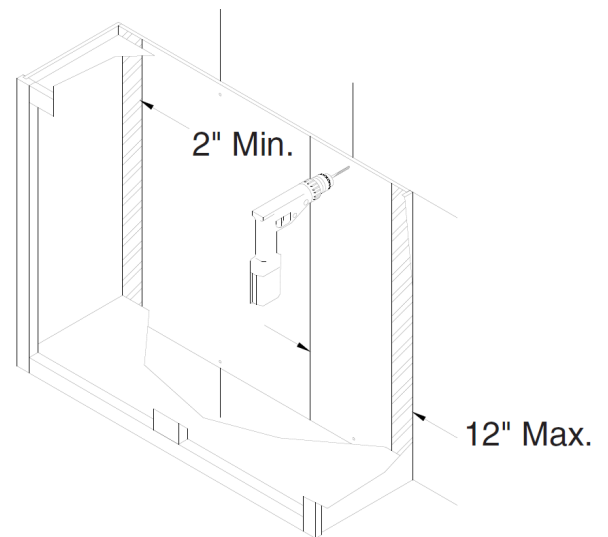
Once the square corner base cabinet is positioned in step 5, confirm that the cabinet is sitting level and straight. Remove the adjacent cabinet to allow for room to install the square corner base cabinet. If needed, add shims to level the cabinet.



---

## STEP 9

Measure from the corner to the first wall stud mark. Transfer this measurement to the inside of the wall corner cabinet. Mark the placement of the next wall stud. Drill through the wall cabinet back into the prelocated studs with a 3/32" diameter drill bit, approximately 2" deep. The holes should be positioned 3/4" down from the inside top of the cabinet but should come no closer than 2" to any inside vertical edge of the cabinet. Cement, block, brick, or tile walls will require anchors for screws or toggle bolts. These will need to be purchased separately if needed. Insert #10 x 2 1/2" screws into the holes until they are nearly tight. Do not tighten the screws until you have finished all final leveling and shimming as needed. Check the front sides and tops of all cabinets with a level. After the cabinet is level and plumb, tighten the installation screws.



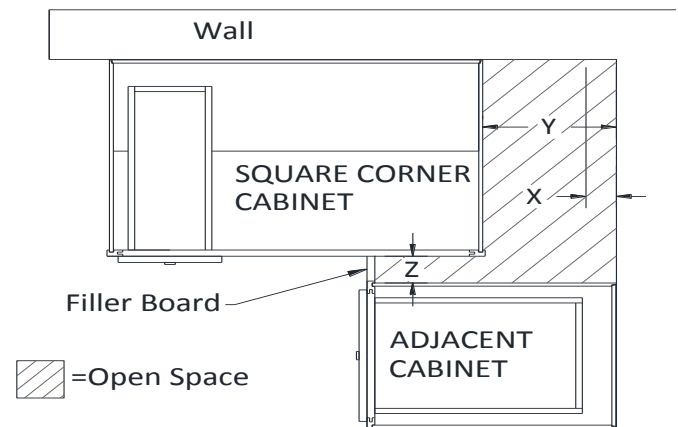
NOTE: Never use nails to mount cabinets. The use of nails may void your factory warranty, written or implied.

---

## STEP 10

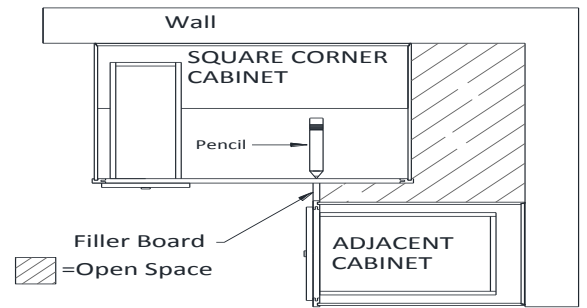
Following your design layout, replace the adjacent cabinet next to the square corner base cabinet that has been installed. The width of the filler, Z, can now be determined in accordance with the specifications on page one and your design layout.

\*Filler Board is located under cabinet with Blind Cover Panel.



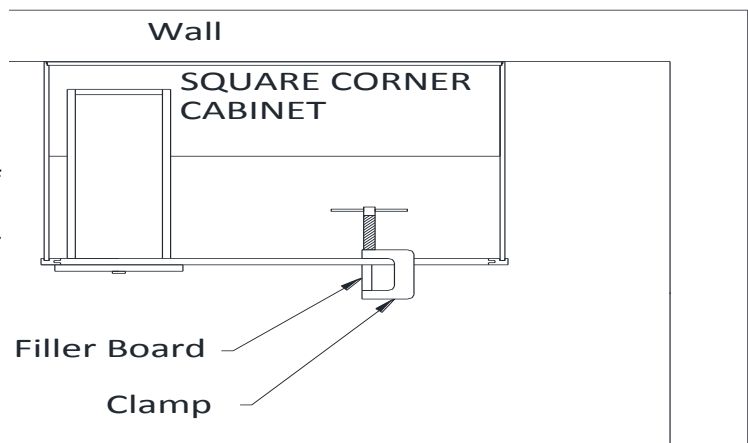
# STEP 11

With the adjacent cabinet positioned next to the installed square corner cabinet, mark the location of the filler board on the inside of the square corner cabinet face frame.



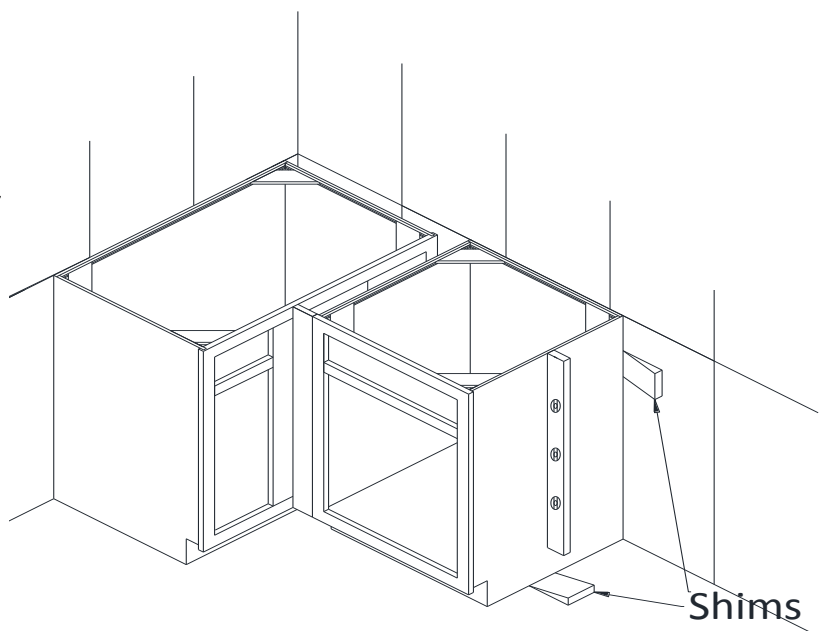
# STEP 12

With the adjacent cabinet removed, the Filler Board can be clamped to the square corner cabinet in the position marked in the previous step. Drill two  $\frac{3}{32}$ " holes into the filler board through the face frame of the cabinet. Then use 2 #8 cabinet screws of the appropriate length depending on the width of your filler board if you cut to fit your design layout. If the Filler Board's width was not cut down, use 2" long #8 cabinet screws.



# STEP 13

Once the square corner cabinet has been installed, the adjacent base cabinets can now be installed. Start installing the base cabinets in the corner. Using clamps, align and join the cabinets together at the face frames. Make sure that the face frames align both on the face and vertically. Check the cabinet to ensure it is level and plumb. Shim to fill uneven areas between the floor and base of the cabinet and between the wall and the back of the cabinet. Failure to do this step could result in damage to the cabinet. Follow Step 9 to secure adjacent cabinet to the wall.



---

# STEP 14

After the two cabinets are mounted to the wall, use clamps to clamp the cabinet face frames together firmly. Be careful to line up the bottom horizontal edges. With a 3/32" drill bit, drill starter holes through the face frames near the top and bottom. Insert and tighten the screws. These screws will need to be purchased separately; a #8 x 2 1/2" is recommended. Check cabinet with a level on the cabinet front, sides, and bottom. Shim where necessary. Once the cabinet is level and plumb, tighten all the installation screws and remove the clamps.

