

Installation Instructions

Size C Bilco Basement Door Extensions

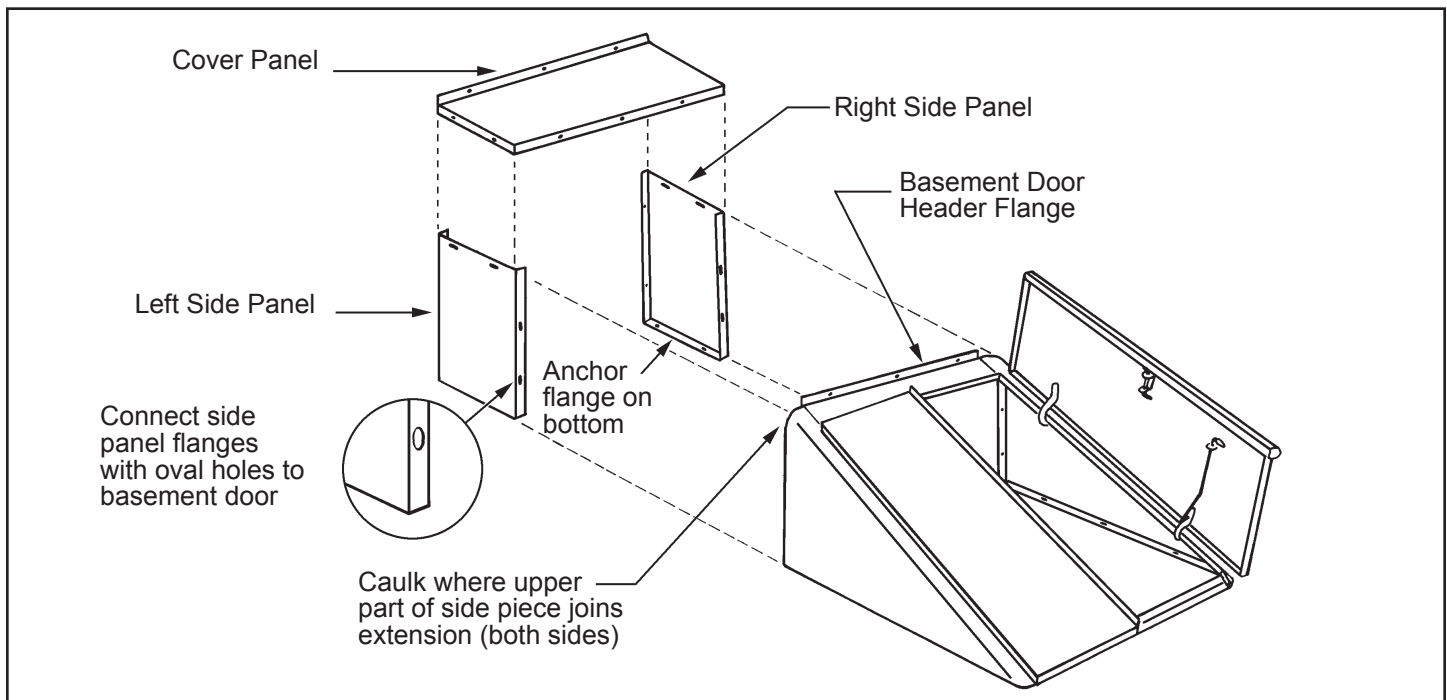
(Used to increase the length when required to fit a longer stairwell)

1. First assemble the size C Bilco Door in accordance with the installation instructions in the Door package.
2. The extension assembly consists of three parts: left side panel, right side panel, and cover panel. With the non-flanged portion of the extension side panels facing upward and the oval holes facing the basement door as shown, fasten the extension side panels to the back angle of the Bilco Door side pieces with the 1/4" x 1/2" bolts and nuts provided.
3. Install cover panel so *flanges overlap* the side panels and the header flange of the Bilco Door. Secure this with 1/4" x 1/2" bolts, with nuts on inside.
4. Follow Basement Door instructions for installation of extension header against masonry building or to fit it properly under the shingles or clapboards on a frame building.
5. Using holes provided at bottom of each side panel, fasten extension to concrete using the slotted hex-head screws as described in Basement Door instructions. *(note: 24" & 30" sides panels have two holes, 12" & 18" side panels have one hole and 6" side panels have no holes as concrete anchorage is not required).*
6. When caulking around the exterior of the Bilco Door and extension be sure to caulk where side pieces join extension.
7. **Important:** Extension panels must be painted within forty-five days of installation See Classic Series basement door installation instructions for complete painting instructions.

Hardware Supplied with Extension

- (13) 1/4" x 1/2" round head bolts
- (13) 1/4" nuts
- (8) #12 slotted hex head screws
- (8) Plastic shields
- (4) Spring nuts

Extension Size	Shipping Weight
6"	26 lbs.
12"	41 lbs.
18"	58 lbs.
24"	73 lbs.
30"	91 lbs.



Imagine...
What Bilco can do for your basements

Customer Service
(800)854-9724
E-mail: bilco@bilco.com
www.bilco.com