

Before You Begin:

- 1) Please read all instructions and notes carefully. Check the Parts List or Bill of Materials for any missing parts and gather necessary tools. To prevent scratching of painted materials, place on a tarp, paper, or other protective material.
- 2) You may be required to obtain a building permit for this structure from your local building authority. Contact your local building department for details.
- 3) Note that this shade structure is not designed to carry additional loads such as hanging heavy plants, swings, people, or other objects.

Recommended Tools:

Safety Glasses, Tape Measure, Carpenters Level, Framing Square, Hex Head Nut Drivers, Chalk Line, Electric Drill w/ Bits, Pliers, Metal Hack Saw, Silicone Caulking, Regular and Phillips Screw Drivers

Note on Masonry Units:

If securing to stone, concrete, or other masonry unit, a masonry drill and bits may be required. You may also be required to purchase masonry anchor bolts, as the 1-1/2" lag screws provided will not be sufficient.

Note on Electric Drills:

We recommend lowering the speed of your drill during this installation. Installing Tek screws at a high rpm may cause the Tek screws to become damaged or break during installation.

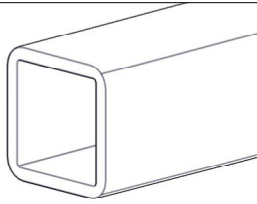
Note on Caulk and Sealing:

We strongly recommend using a high grade sealant, such as our 100% Silicone Caulk and Sealant. Caulking should be applied uniformly without skips. A poor caulking job can cause leaks.

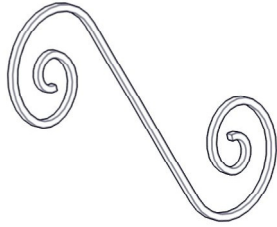
Note on Cutting and Drilling:

Cutting and drilling will cause metal shavings. These shavings must be carefully removed by sweeping or brushing. If this is not done, the metal shavings will quickly rust and stain the surface finish.

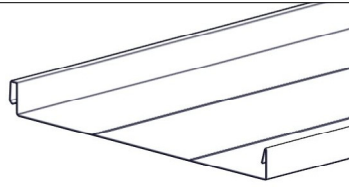
ORLEANS AWNING PARTS LIST



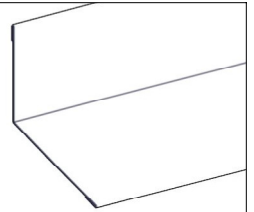
1. 1" Square Tube
Part Code: 11699



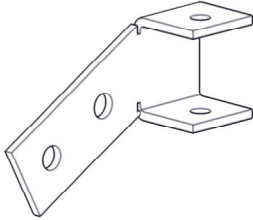
2. Scroll Brace
Part Code: 30378



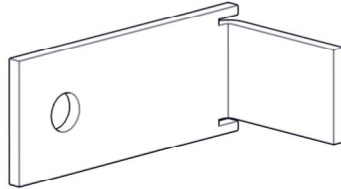
3. Roof Panel
Part Code: 30121



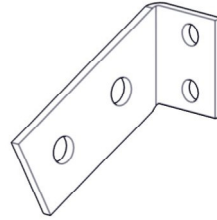
4. Flashing
Part Code: 30180



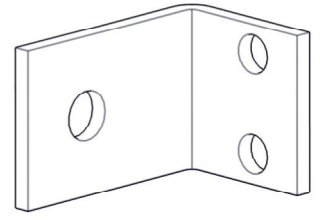
5. Top End Bracket
Part Code: 50203 / 50204



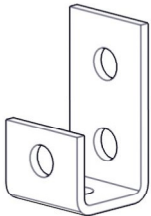
6. Bottom End Bracket
Part Code: 50207



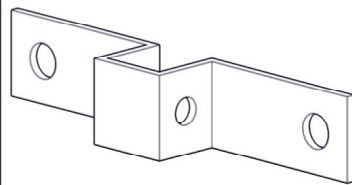
7. Top Middle Bracket
Part Code: 50205 / 50206



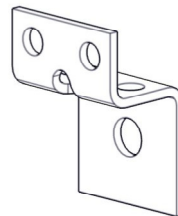
8. Bottom Middle Bracket
Part Code: 50208



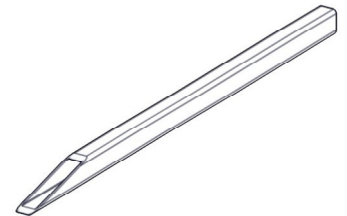
9. Scroll J Bracket
Part Code: 50176



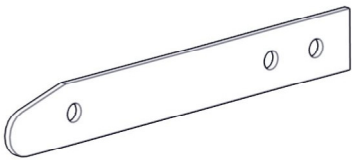
10. Scroll Wall Bracket
Part Code: 50165



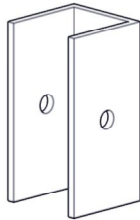
11. Z Wall Bracket
Part Code: 50177



12. Center Brace
Part Code: 11699



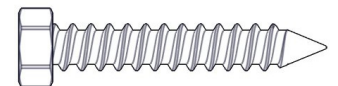
13. Center Brace Mounting
Bracket
Part Code: 50199



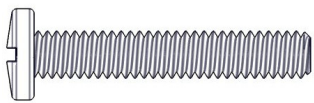
14. Center Brace Wall Bracket
Part Code: 11701



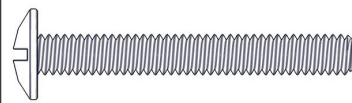
15. 3/8" x 3" Lag Screw
Part Code: 20703



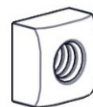
16. 1/4" x 1-1/2" Lag Screw
Part Code: 20423



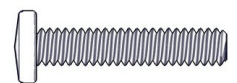
17. 1/4" x 1-1/2" Slotted Pan
Head Machine Screw
Part Code: 20407



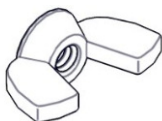
18. 1/4" x 2" Truss Head
Machine Screw
Part Code: 20402



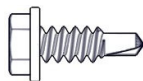
19. 1/4" Square Nut
Part Code: 20503



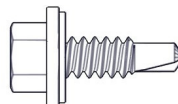
20. 3/16" x 1" Pan Head
Machine Screw
Part Code: 20661



21. 3/16" Wing Nut
Part Code: 20561



22. #8 x 1/2" Hex Head
#2 Tek Screw
Part Code: 20106



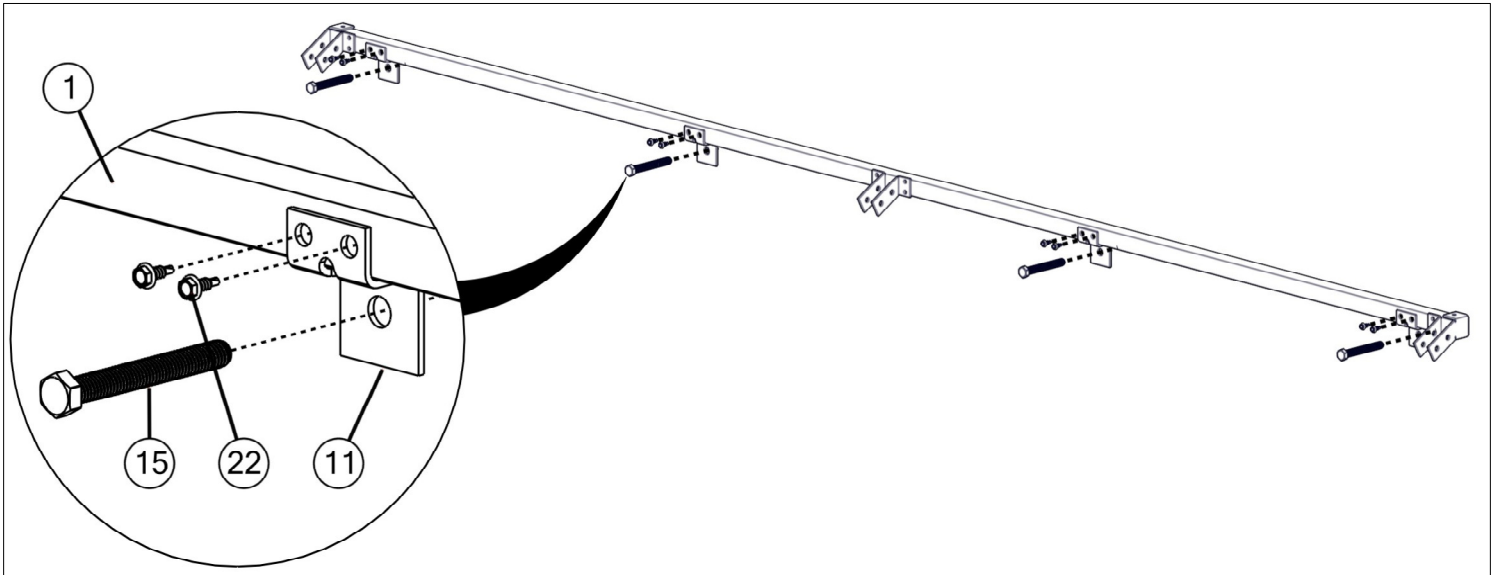
23. #14 x 3/4" Hex Head
#3 Tek Screw
Part Code: 20151

STEP 1

-Determine and mark the location of the awning on the existing structure. Position the Z Wall Brackets spaced evenly along the width of the awning. Attach the Z Wall Brackets to the existing structure using (1) 3/8" x 3" lag screw per bracket, or other appropriate anchor depending on wall type.

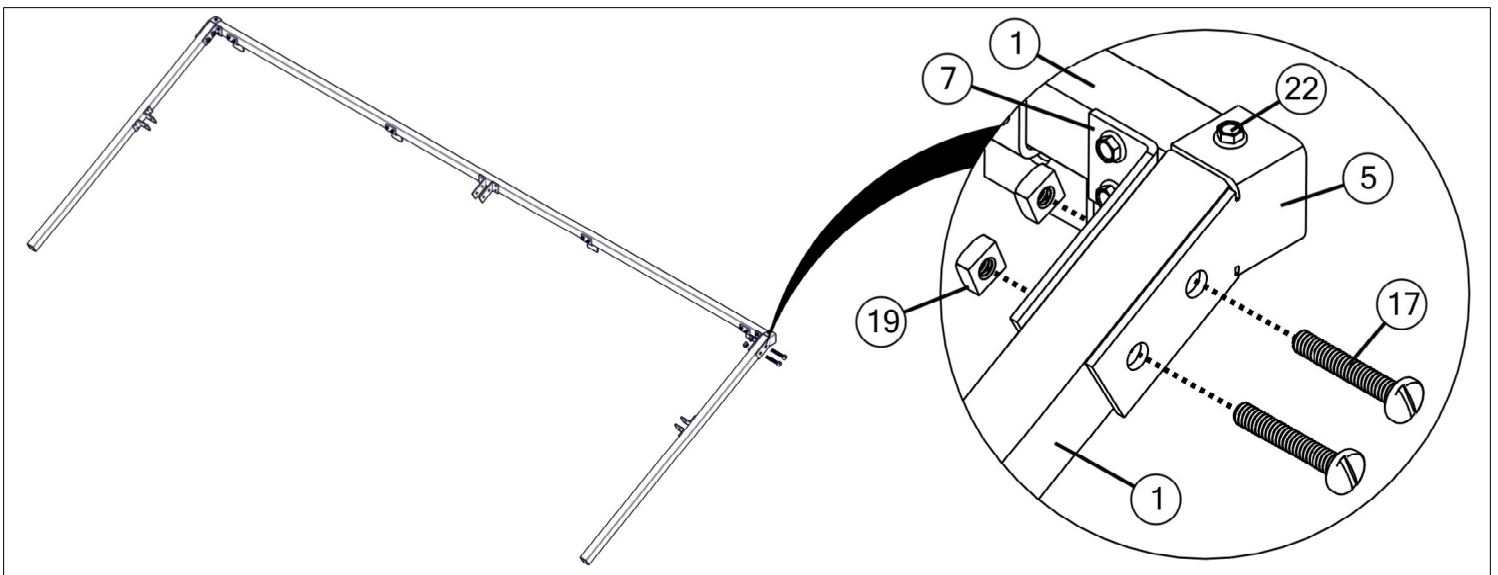
NOTE: Awning must be attached to a solid structural support. Do not attach awning to sheeting, siding, flashing, or any other non-structural surface.

-Once the Z Wall Brackets are in place and secured, position the upper width tube (Top End Brackets and Top Middle Brackets pre-attached) in the brackets and attach using (2) #8 x 1/2" Hex Head #2 Tek screws per bracket.



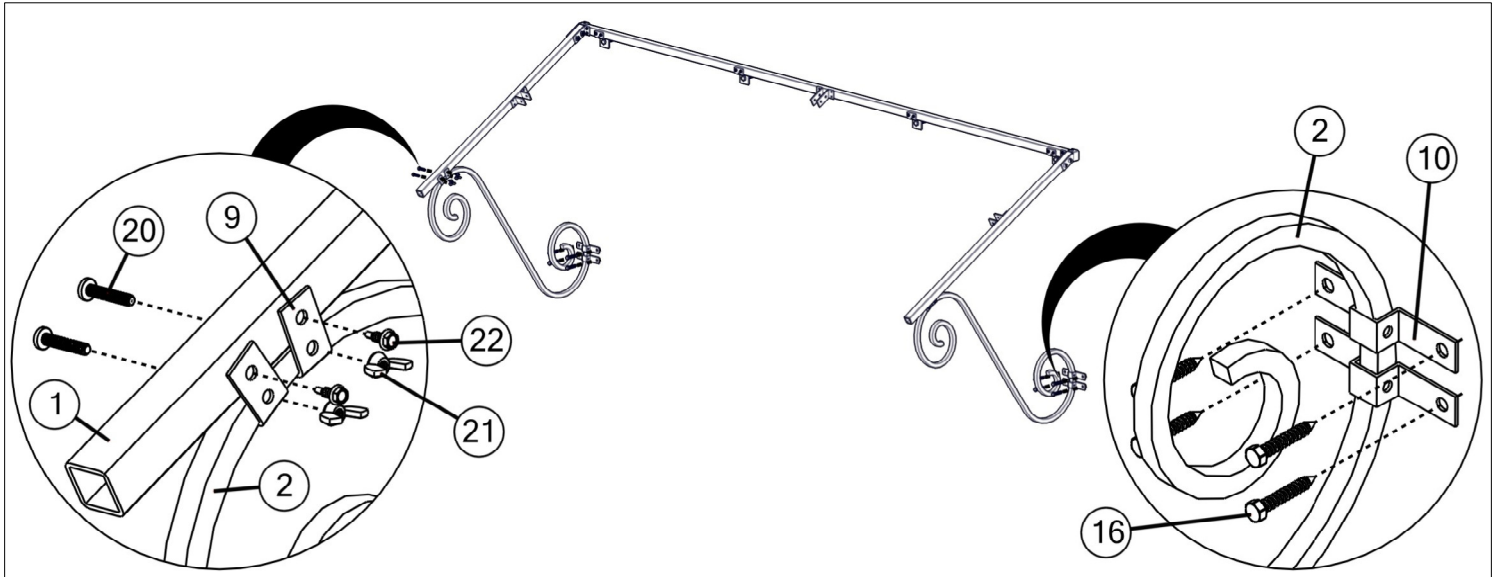
STEP 2

-Once the upper width tube is in place and secured, attach either the right or left end projection tube (Bottom Middle Brackets pre-attached on one side only) to the upper width tube using (2) 1/4" x 1-1/2" machine screws. Repeat for opposite side.



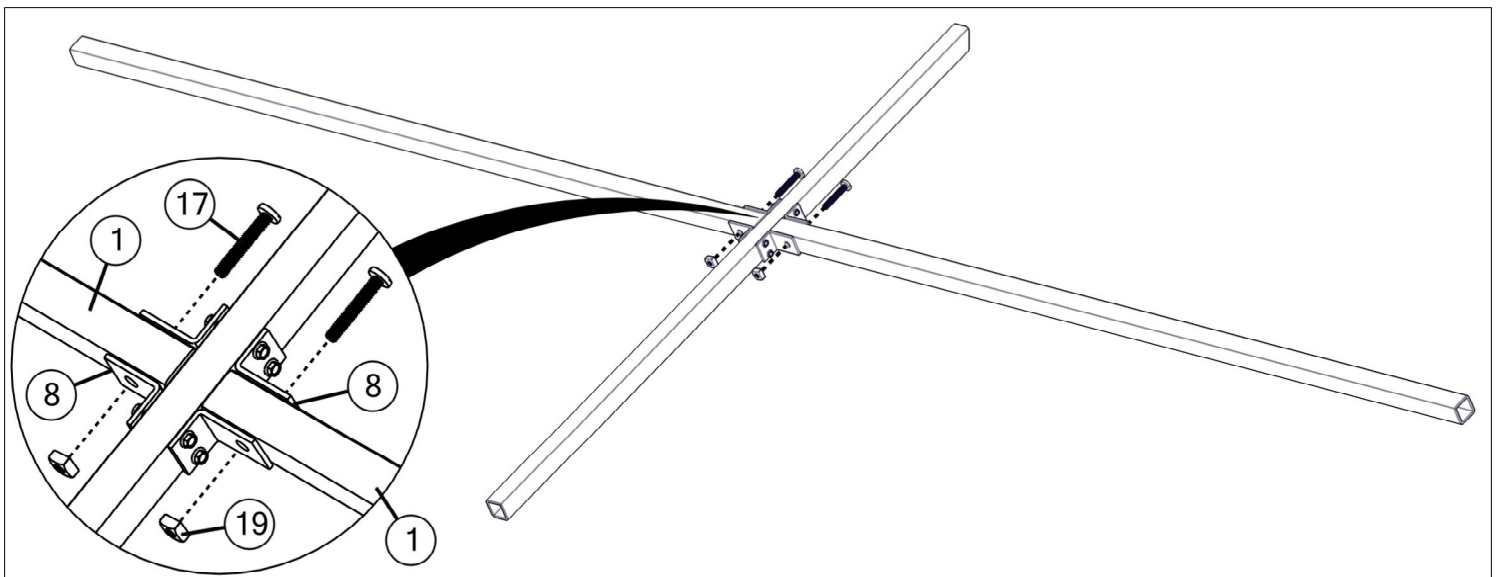
STEP 3

-Attach a Scroll Brace under each end projection tube using (2) Scroll J Brackets, (2) 3/16" x 1" machine screws with wing nut, and (2) #8 x 1/2" Hex Head #2 Tek screws per Scroll Brace. Attach the Scroll Brace to the existing structure using (2) Scroll Wall Brackets and (4) 1/4" x 1-1/2" lag screws.



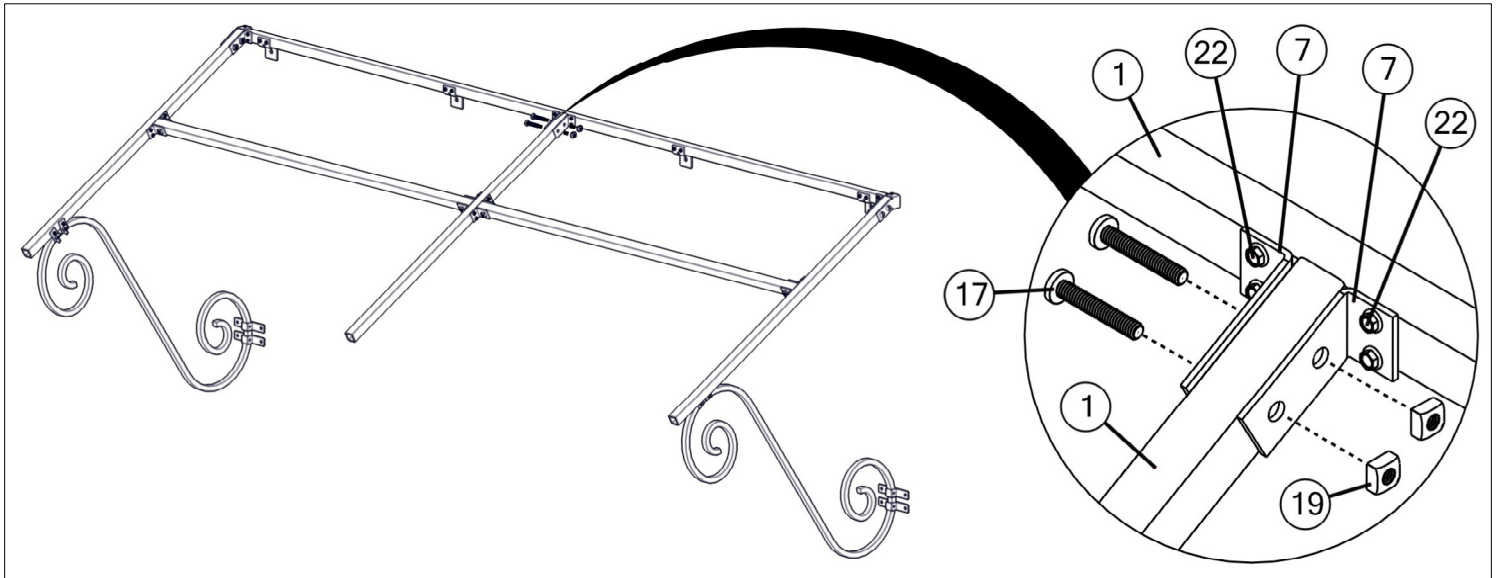
STEP 4

-Attach two pan support tubes (no brackets pre-attached) to a middle projection tube (Bottom Middle Brackets pre-attached on both sides) using 1/4" x 1-1/2" machine screws.



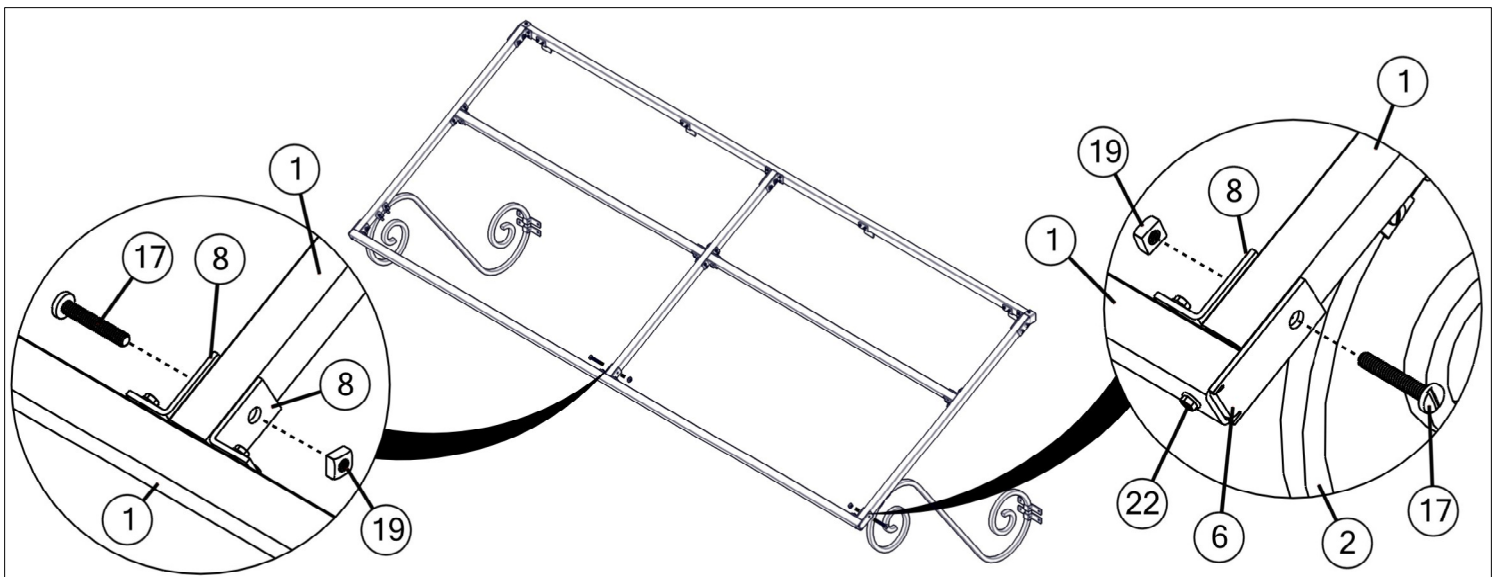
STEP 5

- Position the middle projection tube / pan support tube assembly against the end projection tube. Attach the middle projection tube to the upper width tube using 1/4" x 1-1/2" machine screws. Attach the pan support tube to the end projection tubes as shown in Step 4 using 1/4" x 1-1/2" machine screws.
- Repeat Steps 5 and 5 for each middle projection tube and pan support tube.



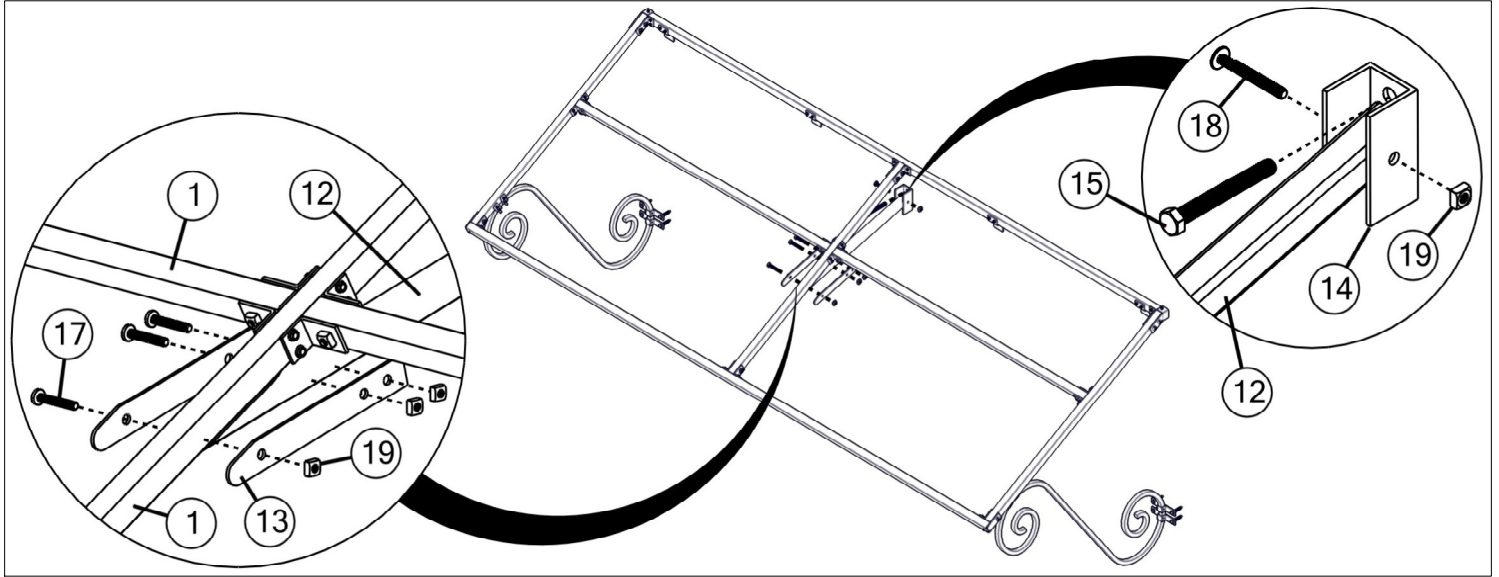
STEP 6

- Attach the lower width tube (Bottom End Brackets and Bottom Middle Brackets pre-attached) to the end projection tubes and middle projection tubes using 1/4" x 1-1/2" machine screws.



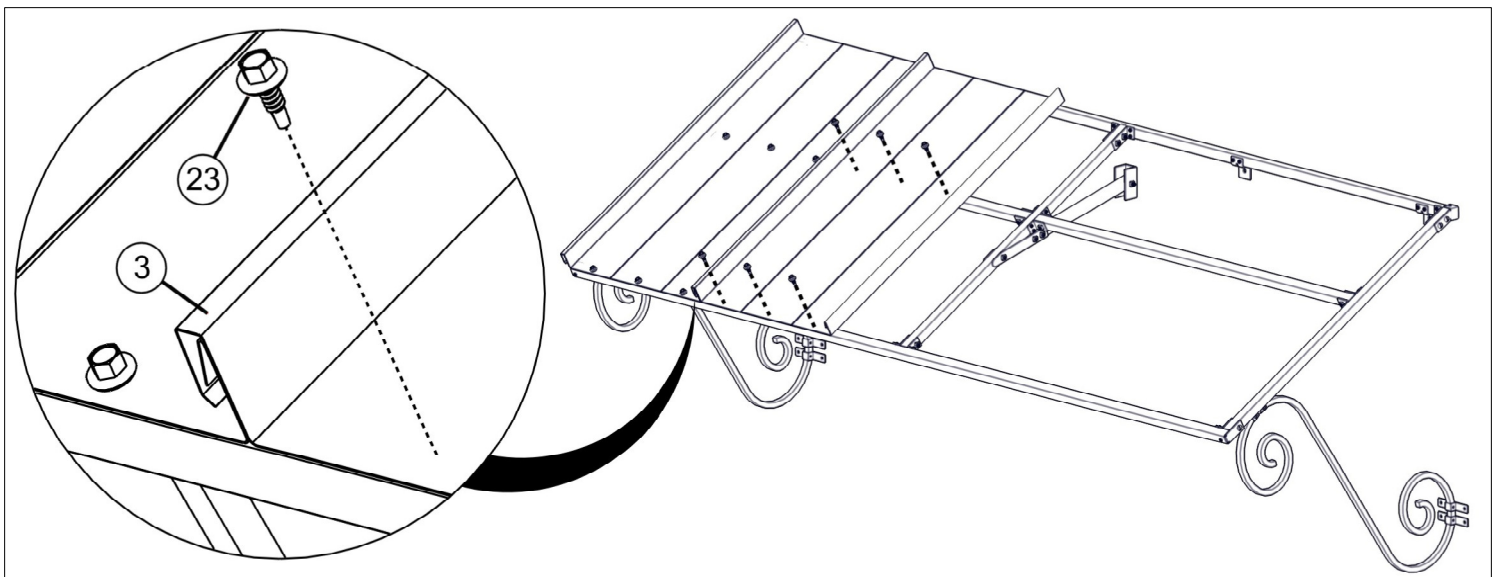
STEP 7

-Wherever a Center Brace is required, attach to the middle projection tube with (2) Center Brace Mounting Brackets using (3) 1/4" x 1-1/2" machine screws. Then attach to the existing structure with the Center Brace Wall Bracket using (2) 3/8" x 3" lag screws and (1) 1/4" x 2" machine screw.



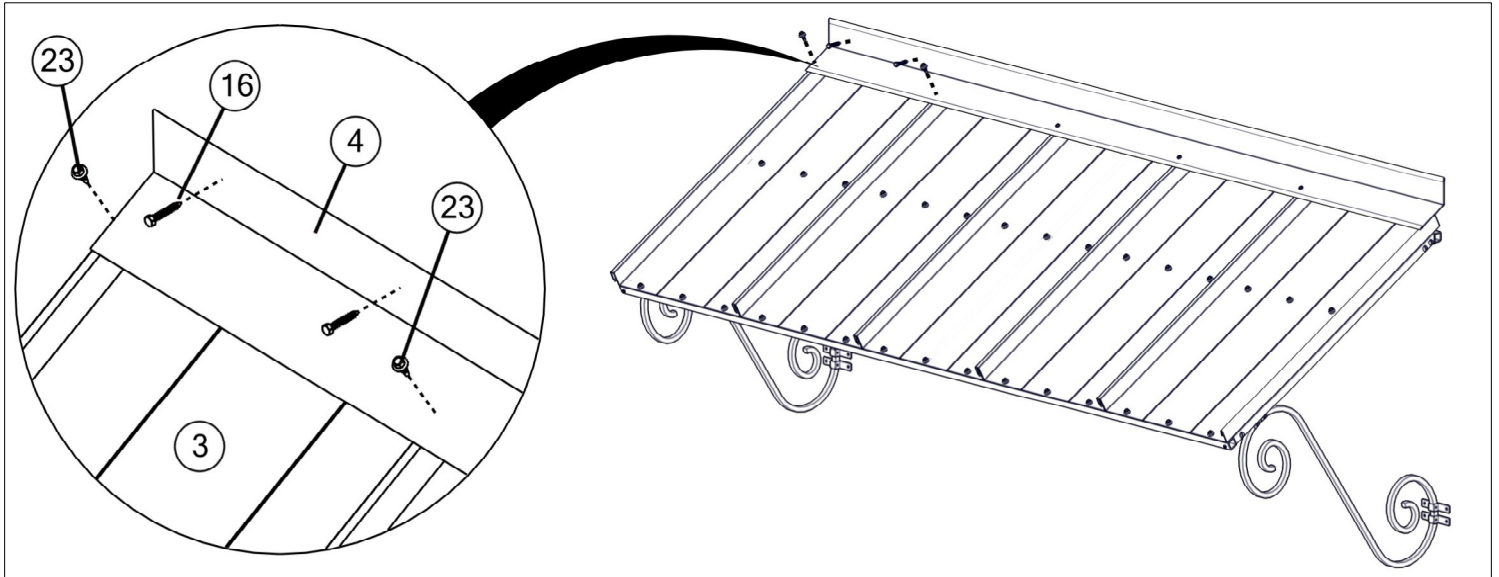
STEP 8

-With the frame completely assembled, position the first roof panel at either end of the awning so that the female lock is flush with the edge of the end projection tube and the front of the roof panel is flush with the edge of the lower width tube.
 -Attach the roof panel to the lower width tube and the pan support tube using (6) #14 x 3/4" Hex Head #3 Tek screws.
 -Position the next roof panel and snap the lock with the previous roof panel. Attach and repeat for each roof panel.
 NOTE: Be sure to maintain 18" center-to-center spacing of the roof panel locks.



STEP 9

- Once all roof panels are installed, position the flashing at the top of the awning. Attach the flashing to the existing structure using 1/4" x 1-1/2" lag screws at 12" - 16" on center, depending on wall stud location.
- Attach the flashing to the lock of each panel using #14 x 3/4" Hex Head #3 Tek screws.



ASSEMBLY COMPLETED

Other Products Available From Americana: Fabric & Aluminum Awnings - Carports -
Patio Covers - Pergolas - Room Enclosures - Park Shelters

