

# INSTALLATION INSTRUCTIONS



## AXIS 73-1/4 x 38 NEO ANGLE SHOWER DOOR MODEL: AM3838N2400C SERIES

Thank you for selecting American Standard – the benchmark of fine quality for over 100 years. To ensure this product is installed properly, please read these instructions carefully before you begin. (Certain installations may require professional help.) Also be sure your installation conforms to local codes.

### GENERAL INFORMATION

Please inspect the product immediately upon receipt for transit damage, missing packs/parts or manufacturing fault. Damage reported later cannot be accepted. Please handle the product with care avoiding knocks and shocks, or loading to all sides and edges of the glass.

**IMPORTANT: TEMPERED GLASS CANNOT BE DRILLED, CUT OR MODIFIED.**

### READ THE INSTRUCTIONS CAREFULLY

Familiarize yourself with all the parts as shown in the assembly drawing. The assembly drawing will also provide a helpful reference when relating the location of the various parts and how they are mounted.

Special care should be taken when drilling walls to avoid hidden pipes or electrical cables.

**Note:** This product is heavy and may require two people to install.

**For product quality or installation issues, we would like to hear from you. Please don't hesitate to call American Standard at 800-442-1902 and follow the prompts for consumer/shower doors.**

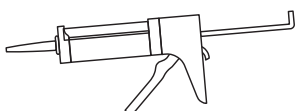
### AFTER-CARE INSTRUCTIONS

After use, your shower should be cleaned with soap and water. This is particularly important in hard water districts where insoluble lime salts may be deposited and allowed to build up. Cleaners of a gritty or abrasive nature should not be used. Care should be taken to avoid contact with strong chemicals such as organic solvents and strippers.

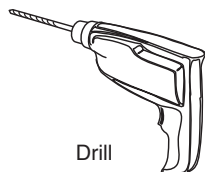
Glass cleaners can be used, but with caution; if in doubt, contact the manufacturer of the cleaner in question.

Please keep these instructions for aftercare and customer service details.

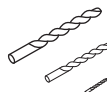
### REQUIRED TOOLS AND MATERIALS



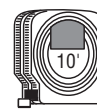
Caulking Gun & Silicone



Drill



1/4" & 1/8" Drill Bits  
#2 Square Drive Bit



Tape Measure



Painter's  
Masking Tape



Safety Glasses



Regular Screwdriver



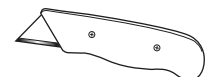
Phillips Screwdriver



Pencil



Hammer



Utility Knife

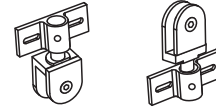


Level

SAVE FOR FUTURE USE

# BOX CONTENTS

2 Pivot Hinge Set



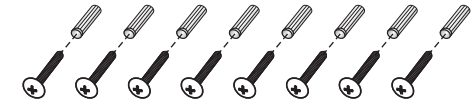
1 Installation Instructions



1 Handle Set



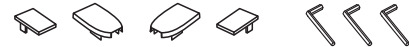
8 Wall Anchors/Plugs  
8 Screws M4x35



8 Screws M4x10  
8 Screw Cover Caps



4 (2) Wall Jamb Caps and  
(2) Extender Caps  
3 Allen Wrenches (3 sizes)



1 Bottom Gaskets  
1 Side Gaskets



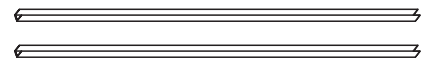
2 Magnetic Gaskets



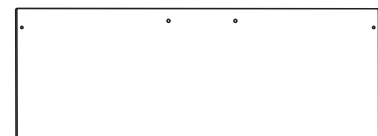
2 Horizontal Rails  
8 Nuts



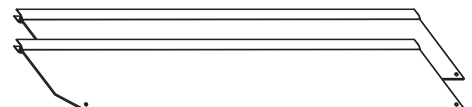
2 Wall Posts



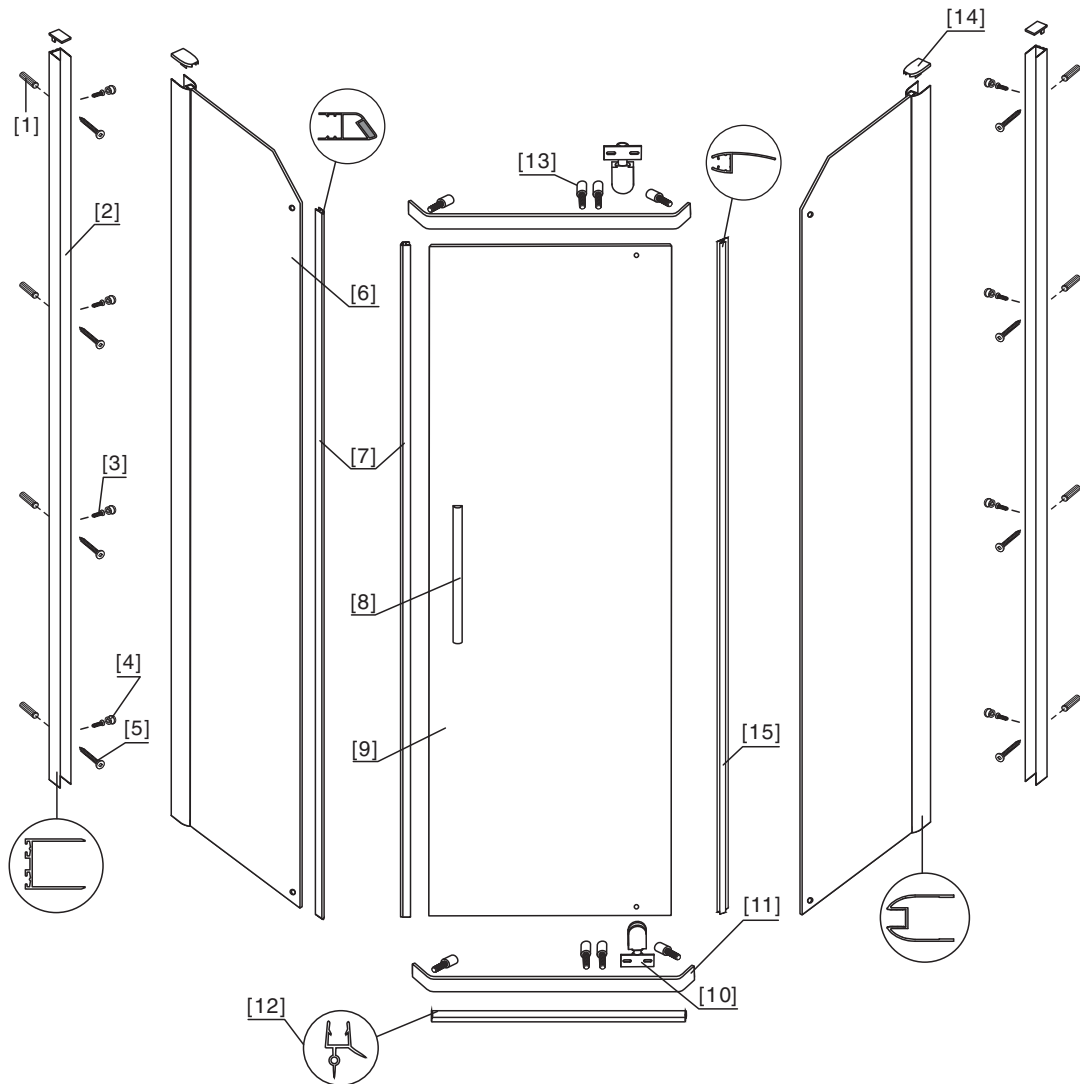
1 Door Panel



2 Fixed Glass Panels



# ASSEMBLY DRAWING



- [1] 8 Wall Anchors/Plugs
- [2] 2 Wall Posts
- [3] 8 Screws M4x10
- [4] 8 Screw Cover Caps
- [5] 8 Screws M4x35
- [6] 2 Fixed Glass Panels
- [7] 2 Magnetic Gaskets

- [8] 1 Handle Set
- [9] 1 Door Panel
- [10] 2 Pivot Hinge Sets
- [11] 2 Horizontal Rails
- [12] 1 Bottom Gasket
- [13] 8 Bolts
- [14] 4 Wall Jamb and Extender Caps
- [15] 1 Side Gasket

## INSTALLATION NOTES:

This unit is best installed by two people.

Cover drain with tape prior to installation to prevent the loss of small parts.

Unpack your unit carefully and inspect for freight damage. Lay out and identify all parts using instruction sheet as a reference. Before discarding the carton check to see that no small hardware parts have fallen to the bottom of the box. If any parts are damaged or missing refer to the description noted in the instructions when inquiring about replacements.

Handle the glass panels carefully and protect the edges. Although tempered glass is very resistant to breakage the glass can still break if unequal pressure is applied during installation and the sharp corners of the panel can damage tile and flooring surface.

Be sure to wear safety glasses whenever drilling or cutting. When drilling holes in ceramic tile or marble use a center punch and hammer to carefully break the glazed surface. This will prevent skidding when drilling.

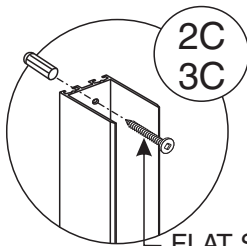
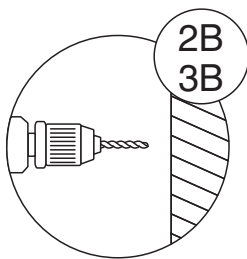
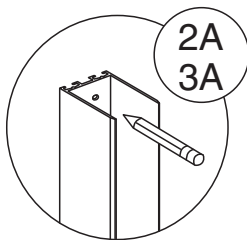
**NOTE: TEMPERED GLASS CANNOT BE DRILLED, CUT OR MODIFIED.**

## 1 ATTACHING WALL POSTS

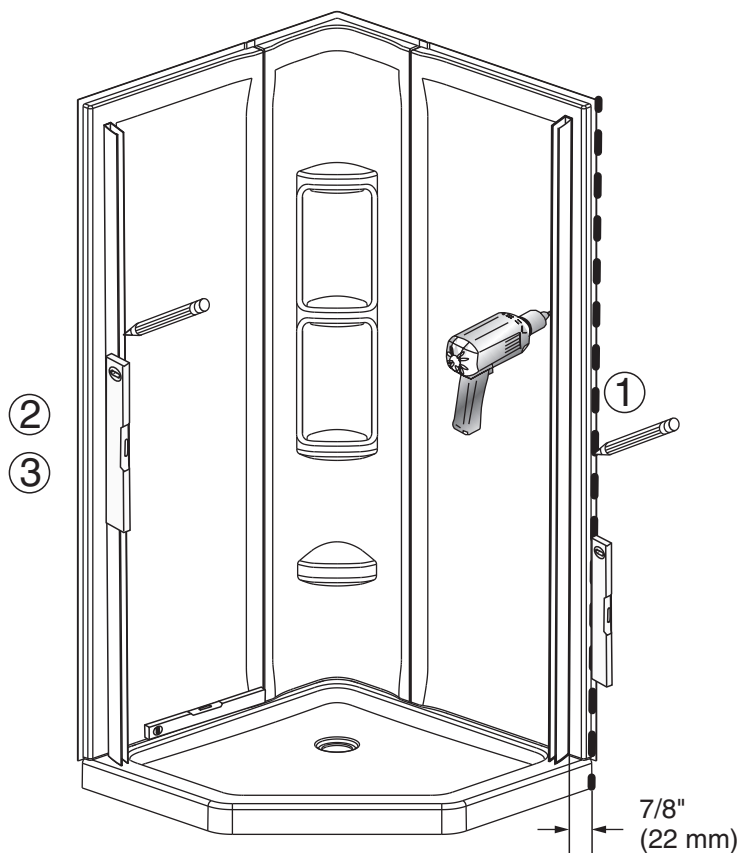
1. With the shower base and walls installed, use a level to mark vertical lines at the outside edge of the shower base as shown.
2. Position a Wall Post [2] 7/8" (22mm) from the drawn line. Ensure that it is plumb and mark the location of the mounting holes on the wall.
3. Remove the post. Using an 1/8" drill bit, drill holes where marked on the wall.
4. Replace the wall post and ensure that the holes on the side of the wall post face the inside of the shower enclosure. Fasten the wall post to the wall using the M4 x 35 Flat Screws [5].

**Note: If not using the Axis Shower Wall (Model 3838CW), then wall anchors [1] must be used.**

5. Repeat above steps for the second wall post.



FLAT SCREW  
M4x35



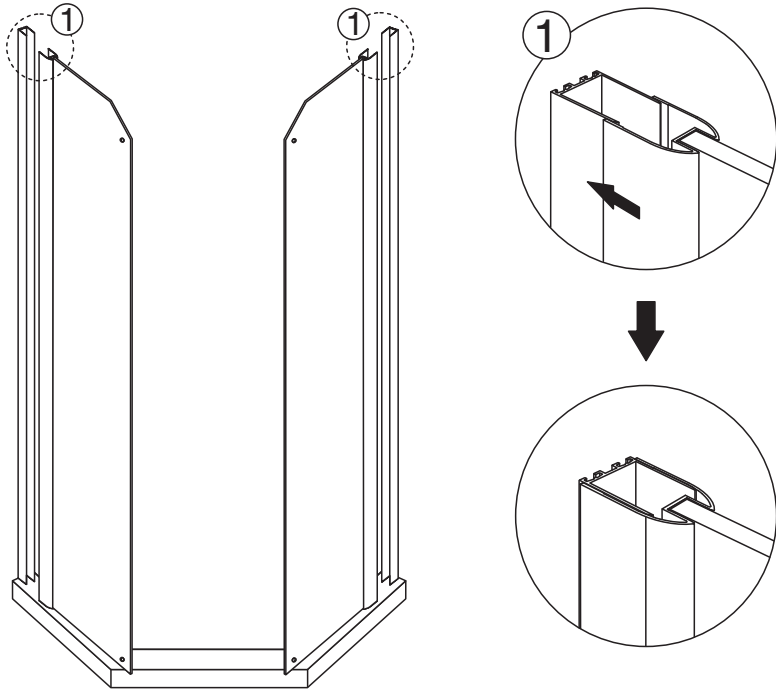
## 2

### ASSEMBLING FIXED PANELS TO WALL POSTS

1. Insert the Fixed Glass Panels [6] onto the wall posts. The Fixed Glass Panels will fit on the outside of the wall posts.

**HELPFUL HINT:**

Slightly pinch the wall posts together as the Fixed Glass Panel is fitted over the wall post.

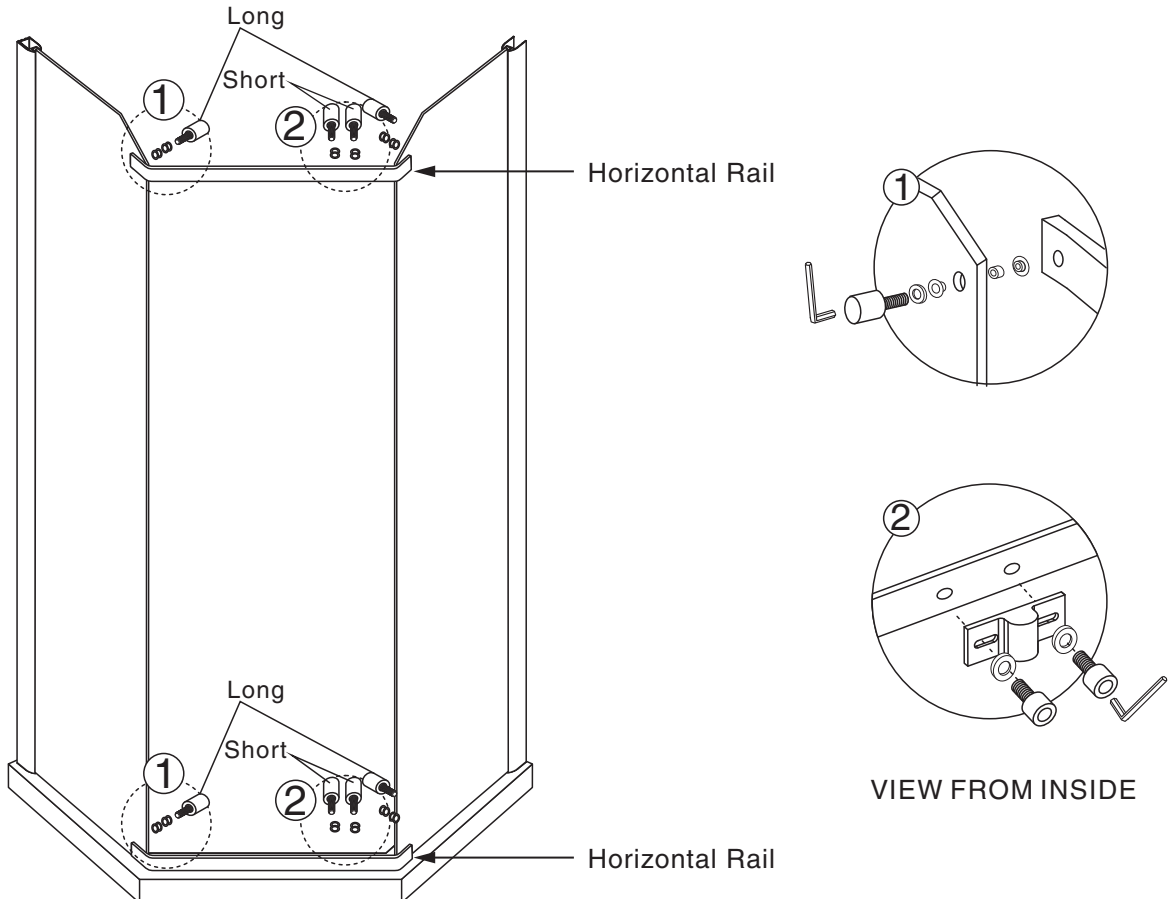


## 3

### ATTACHING HORIZONTAL RAILS

1. Attach Horizontal Rails [11] to the Fixed Panels using the Bolts [13] and Allen Wrenches provided. Be sure to use the long bolts in the locations as shown.
2. Attach the Pivot Hinges to the Horizontal Rails as shown.

**Note:** It may be easier to install the door in step 4 if the bolts on the Pivot Hinges are kept slightly loose.

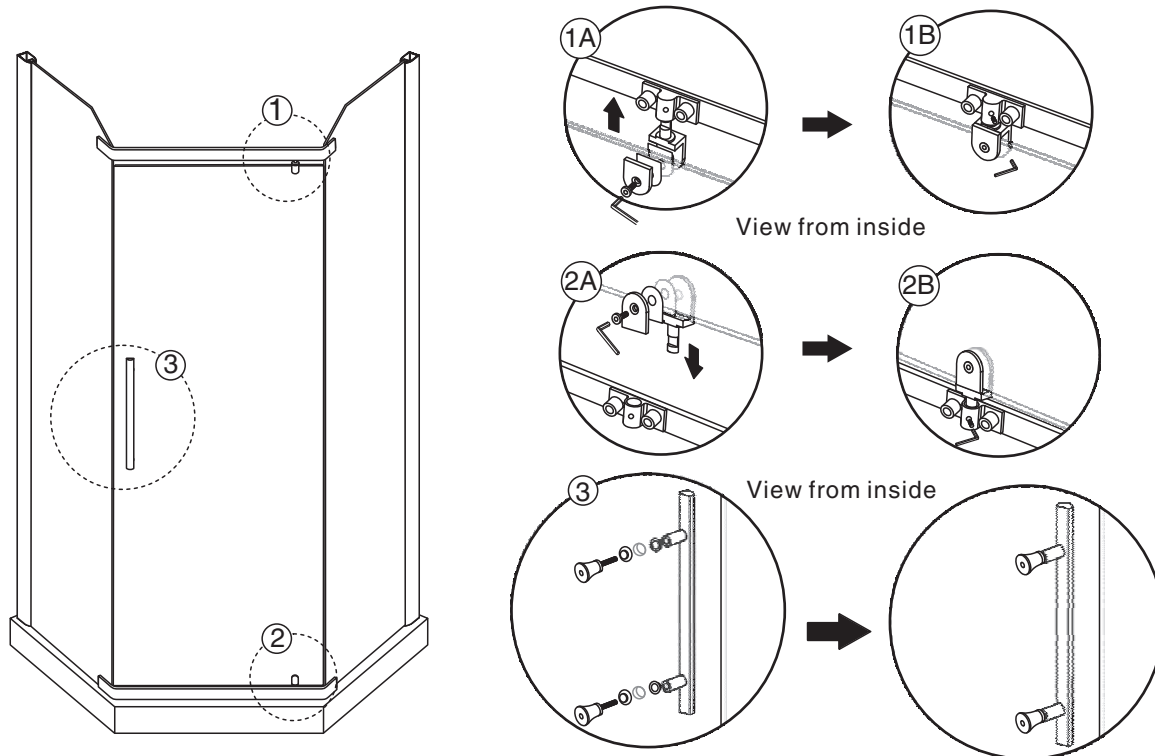


## 4 ASSEMBLING DOOR PANEL AND ATTACHING HANDLE

**NOTE:** There should be a gap of approximately 3/4" (19mm) between the hinge side of the door and the fixed panel.

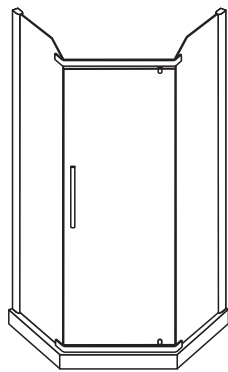
1. Attach the top Pivot Hinge to the Top Horizontal Rail as shown in 1A and 1B.
2. Attach the bottom Pivot Hinge to the Bottom Horizontal Rail as shown in 2A and 2B. Be sure to that all bolts are tightened completely on the Hinges and Door.
3. Attach the Door Handle Set [8] to the door as shown.

**NOTE:** Illustrations show the door assembled with the handle on the left side. If the door is to be assembled so the handle is on the right side, the door panel and Horizontal Rails are to be rotated as shown below.

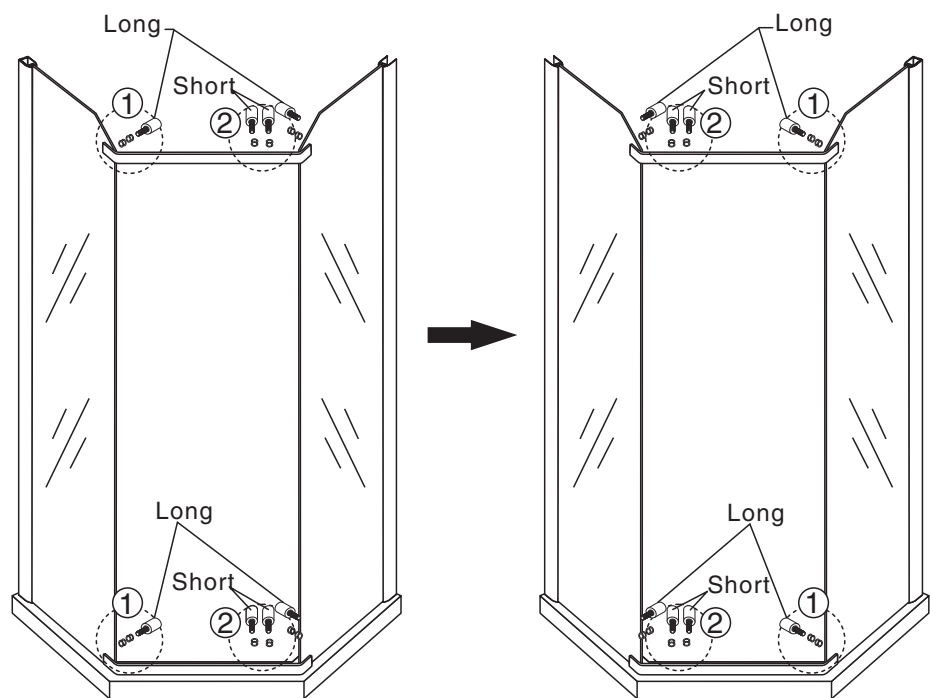
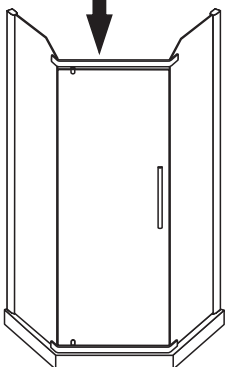


### STEPS TO REVERSE THE DOORS

LEFT DOOR  
OPENING



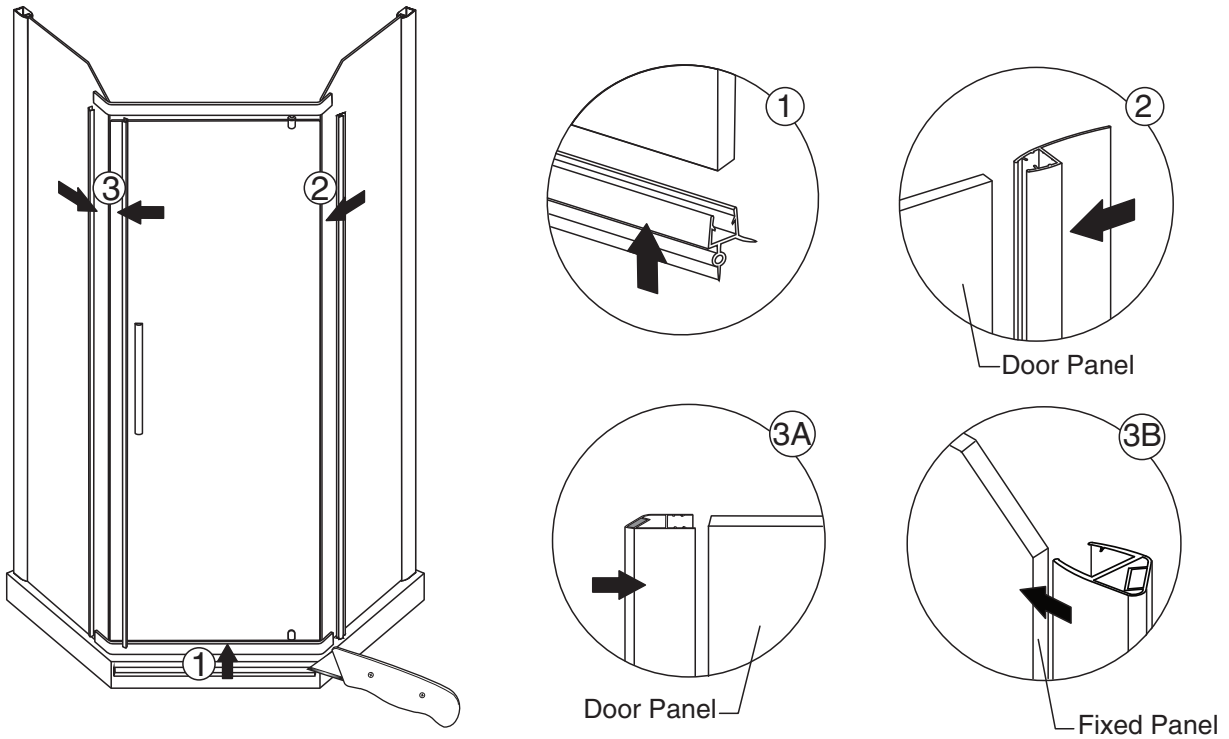
RIGHT DOOR  
OPENING



# 5

1. Install the Gasket [12] onto the bottom of the door as shown. Be sure that the angled portion faces the inside of the shower enclosure.
2. Starting at the top, install the Slide Gasket [15] on the side of the door closest to the hinge. Be sure that the Water Deflector extends to the top of the bottom horizontal rail.
3. Install the Magnetic Gaskets [7] on the Door and Fixed Panel as shown in 3A and 3B. Be sure that the magnetic seal extends to just above the top of the bottom horizontal rail.

**Note: The two Magnetic Gaskets are to form a 45 degree angle when the door is closed.**

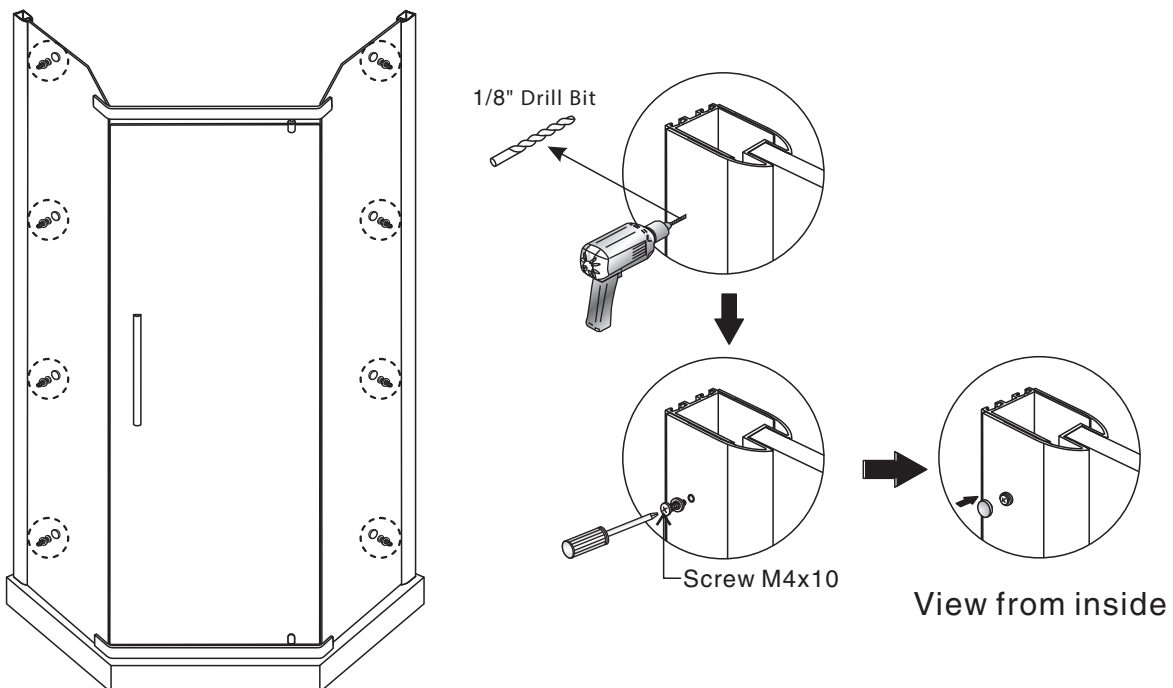


# 6

## FIXING THE FRAME TO THE WALL POSTS

**Note: Ensure that the wall profiles are plumb. Adjust the enclosure to be square and level. The Wall posts and Fixed Panels should be adjusted to ensure that the door opens smoothly.**

1. Using a 1/8" drill bit, drill holes in the fixed panels using the holes in the wall posts as location guides. Secure the wall posts to the door panel using the M4 x 10 Screws [3] and Washers. Place Screw Cover Caps [4] over the screw heads.

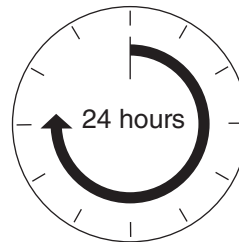
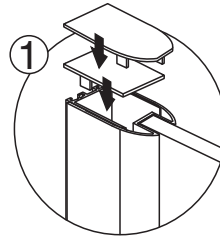
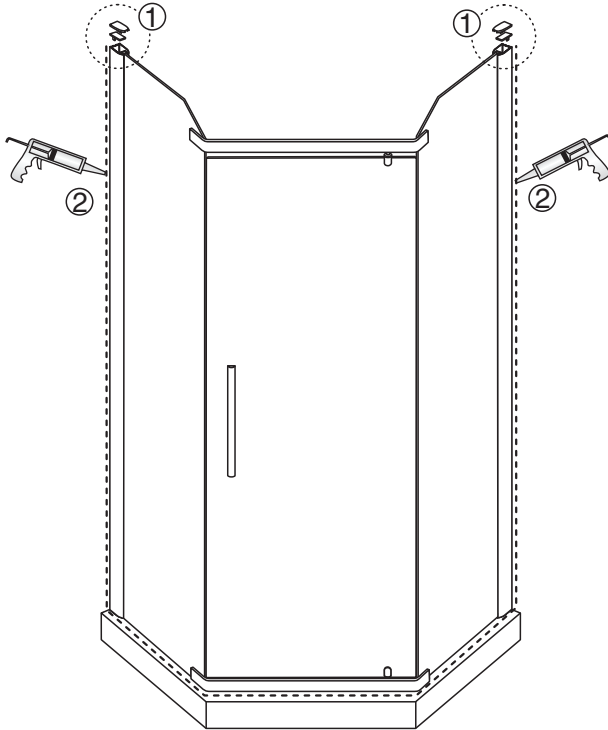


# 7

## APPLYING SILICONE AND PROFILE CAPS

1. Install the Wall Jamb and Extender Caps [14] on the top of the Wall Posts
2. Apply silicone as shown

**Note: Allow 24 hours for the silicone to dry before use.**



**Allow 24 hours for silicone to dry before use.**



## MAINTENANCE:

Two primary materials are used to manufacture your new American Standard shower enclosure: tempered glass and anodized aluminum. To assure a long lasting finish on the enclosure, wipe it down with a towel after each use.

For occasional, more concentrated cleaning efforts **Lysol Non-Abrasive Bathroom Cleaner** works extremely well. Be sure that any over spray falling on the aluminum frame is rinsed thoroughly and dried. Many over-the-counter cleaners, if applied to the aluminum and left on, will harm the metal finish and cause permanent damage even though their directions indicate safe use on shower doors. Never use a scouring agent to clean the aluminum.

## AS AMERICA, INC. LIMITED LIFETIME WARRANTY FOR SHOWER DOORS

AS America, Inc. ("American Standard") warrants to the original consumer purchaser that it will, at its sole option, repair or replace this product or any part of this product, if it confirms that the product is defective in materials or workmanship under normal use and maintenance for the lifetime of this product.

This warranty does not apply to commercial installations. Commercial installations shall have a limited warranty of 3 year(s).

This limited warranty DOES NOT COVER the following:

1. Defects or damage arising from shipping, installation, alterations, accidents, abuse, misuse, lack of proper maintenance and use of other than genuine American Standard replacement parts, in all cases whether caused by a plumbing contractor, service company, the owner or any other person.
2. Deterioration through normal wear and tear.
3. HARD WATER DAMAGE, OR DAMAGES RESULTING FROM ABUSE OR MISUSE OR FROM FAILURE TO INSTALL OR MAINTAIN THIS PLUMBING PRODUCT IN ACCORDANCE WITH THE WRITTEN INSTRUCTIONS FURNISHED BY AS AMERICA, INC.
4. USE OF CLEANING PRODUCTS CONTAINING CALCIUM HYPO CHLORITE (CHLORINE), SCOURING POWDERS OR PADS SHALL NOT BE COVERED.
5. THE USE OF SCENTED CANDLES IN CLOSE PROXIMITY WITH THIS PRODUCT CAN RESULT IN PERMANENT STAINING OF THE FINISH.
6. Expense of normal maintenance.
7. All costs of removal, transportation, labor, reinstallation or other costs including postage and/or shipping costs to obtain warranty service shall be paid by the consumer.
8. ANY LIABILITY FOR CONSEQUENTIAL OR INCIDENTAL DAMAGES, ALL OF WHICH ARE HEREBY EXPRESSLY DISCLAIMED. ANY IMPLIED WARRANTIES, INCLUDING THOSE OF MERCHANTABILITY OR FITNESS FOR PURPOSE INTENDED ARE SPECIFICALLY EXCLUDED. (Some jurisdictions do not allow limitations on how long an implied warranty lasts, or the exclusion or limitation of incidental or consequential damages, so these limitations and exclusions may not apply to you.)
9. Responsibility for compliance with local code requirements ARE EXCLUDED FROM THIS WARRANTY. (Since local code requirements vary greatly distributors, dealers, installation contractors and users of plumbing products should determine whether there are any code restrictions on the installation or use of a specific product.)

This limited warranty gives you specific legal rights. You may have other statutory rights that vary from state to state or from province to province, in which case this limited warranty does not affect such statutory rights.

For service under this warranty, it is suggested that a claim be made through the contractor or dealer from or through whom the product was purchased, or that a service request (including a description of the product model and of the defect) be sent to the following with proof of purchase or original receipt:

### **In the United States:**

American Standard Brands  
P.O. Box 6820  
Piscataway, New Jersey 08855  
Attention: Director of Consumer Affairs

For residents of the United States, warranty information may also be obtained by calling the following toll free number: (800) 442-1902  
[www.americanstandard.com](http://www.americanstandard.com)

### **In Canada:**

AS Canada ULC  
5900 Avebury Rd.  
Mississauga, Ontario  
Canada L5R 3M3

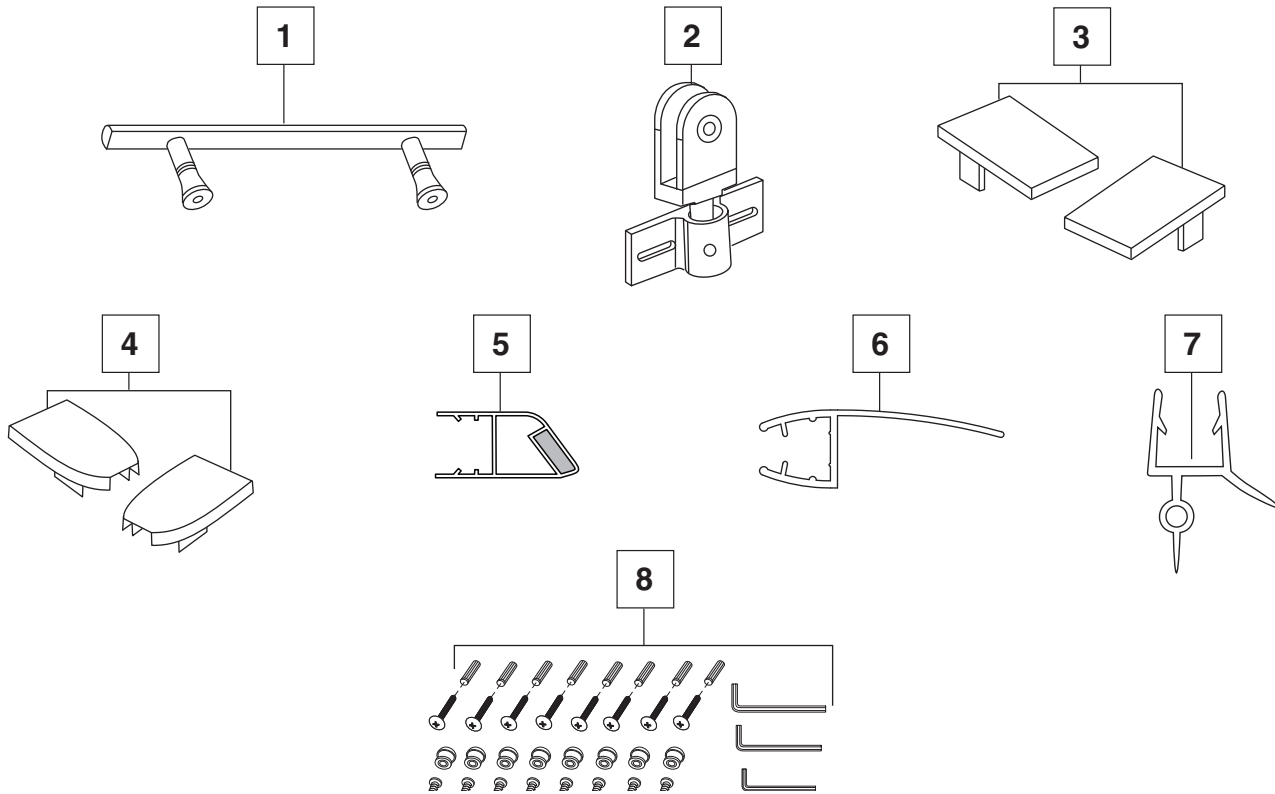
Toll Free: (800) 387-0369  
[www.americanstandard.ca](http://www.americanstandard.ca)

### **In Mexico:**

American Standard B&K Mexico  
S. de R.L. de C.V.  
Via Morelos #330  
Col. Santa Clara  
Ecatepec 55540 Edo. Mexico  
Toll Free: 01-800-839-1200  
[www.americanstandard.com.mx](http://www.americanstandard.com.mx)

**AXIS 73-1/4" x 38"**  
**NEO ANGLE SHOWER DOOR**

**MODEL NUMBER:**  
**AM3838N2400C SERIES**



NO.	DESCRIPTION	PART #	FINISH	QTY/UNIT
1	Handle	710381-101.2130A	Chrome	1 Piece
2	Pivot Set — 2 pieces	710382-101.2130A	Chrome	1 Set
3	Wall Jamb Cap — 2 pieces	710383-101.2130A	Chrome	1 Set
4	Expander Cap — 2 pieces	710384-101.2130A	Chrome	1 Set
5	Magnet Gasket — 2 pieces	710385-101.0700A	N/A	1 Set
6	Side Gasket	710386-101.0700A	N/A	1 Piece
7	Bottom Gasket	710387-101.0700A	N/A	1 Piece
8	8X Wall Plug, 8X Screw 4x35, 8X Screw 4x10, 8X Screw Cap, 1 for each X Allen Wrench 6.0/4.0/2.0	710388-101.2130A	Chrome	1 Set