

INSTALLATION INSTRUCTIONS



AXIS 72 x 38 CURVED SHOWER DOOR MODEL: AM3838A1400 SERIES

Thank you for selecting American Standard – the benchmark of fine quality for over 100 years. To ensure this product is installed properly, please read these instructions carefully before you begin. (Certain installations may require professional help.) Also be sure your installation conforms to local codes.

GENERAL INFORMATION

Please inspect the product immediately upon receipt for transit damage, missing packs/parts or manufacturing fault. Damage reported later cannot be accepted. Please handle the product with care avoiding knocks and shocks, or loading to all sides and edges of the glass.

IMPORTANT: TEMPERED GLASS CANNOT BE DRILLED, CUT OR MODIFIED.

READ THE INSTRUCTIONS CAREFULLY

Familiarize yourself with all the parts as shown in the assembly drawing. The assembly drawing will also provide a helpful reference when relating the location of the various parts and how they are mounted.

Special care should be taken when drilling walls to avoid hidden pipes or electrical cables.

Note: This product is heavy and may require two people to install.

For product quality or installation issues, we would like to hear from you. Please do not hesitate to call American Standard at 1-800-442-1902 and follow the prompts for consumer/shower doors.

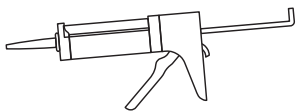
AFTER-CARE INSTRUCTIONS

After use, your shower should be cleaned with soap and water. This is particularly important in hard water districts where insoluble lime salts may be deposited and allowed to build up. Cleaners of a gritty or abrasive nature should not be used. Care should be taken to avoid contact with strong chemicals such as organic solvents and strippers.

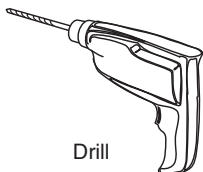
Glass cleaners can be used, but with caution; if in doubt, contact the manufacturer of the cleaner in question.

Please keep these instructions for aftercare and customer service details.

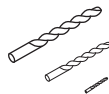
REQUIRED TOOLS AND MATERIALS



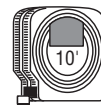
Caulking Gun & Silicone



Drill



1/4" & 1/8" Drill Bits
#2 Square Drive Bit



Tape Measure



Painter's
Masking Tape



Level



Safety Glasses



Regular Screwdriver



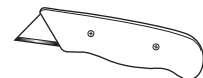
Phillips Screwdriver



Pencil



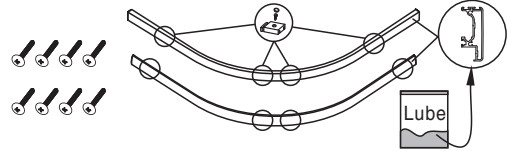
Hammer



Utility Knife

BOX CONTENTS

2 Horizontal Rails
8 Flat Screws M4x35
1 Lube Packet



1 Installation Instructions



2 Handle Sets



4 Wall Jamb Caps
4 Spacer Blocks



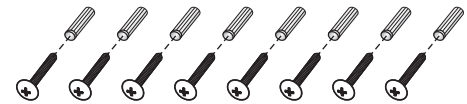
8 Inserts



4 Clips
4 Screws M4x16



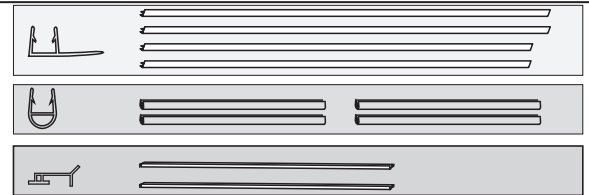
8 Wall Anchors / Plugs
8 Flat Screws M4x35



8 Screws M4x10



4 Side Gaskets
4 Bottom Gaskets for Fixed Panels
2 Wall Jamb Gaskets for bottom of sliding doors



2 Magnetic Gaskets



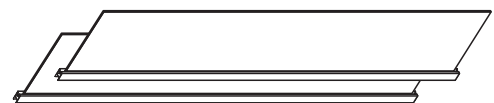
2 Wall Posts



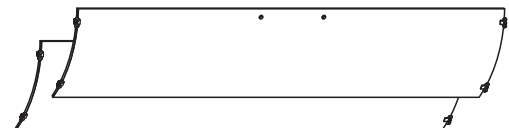
2 Side Profile Covers



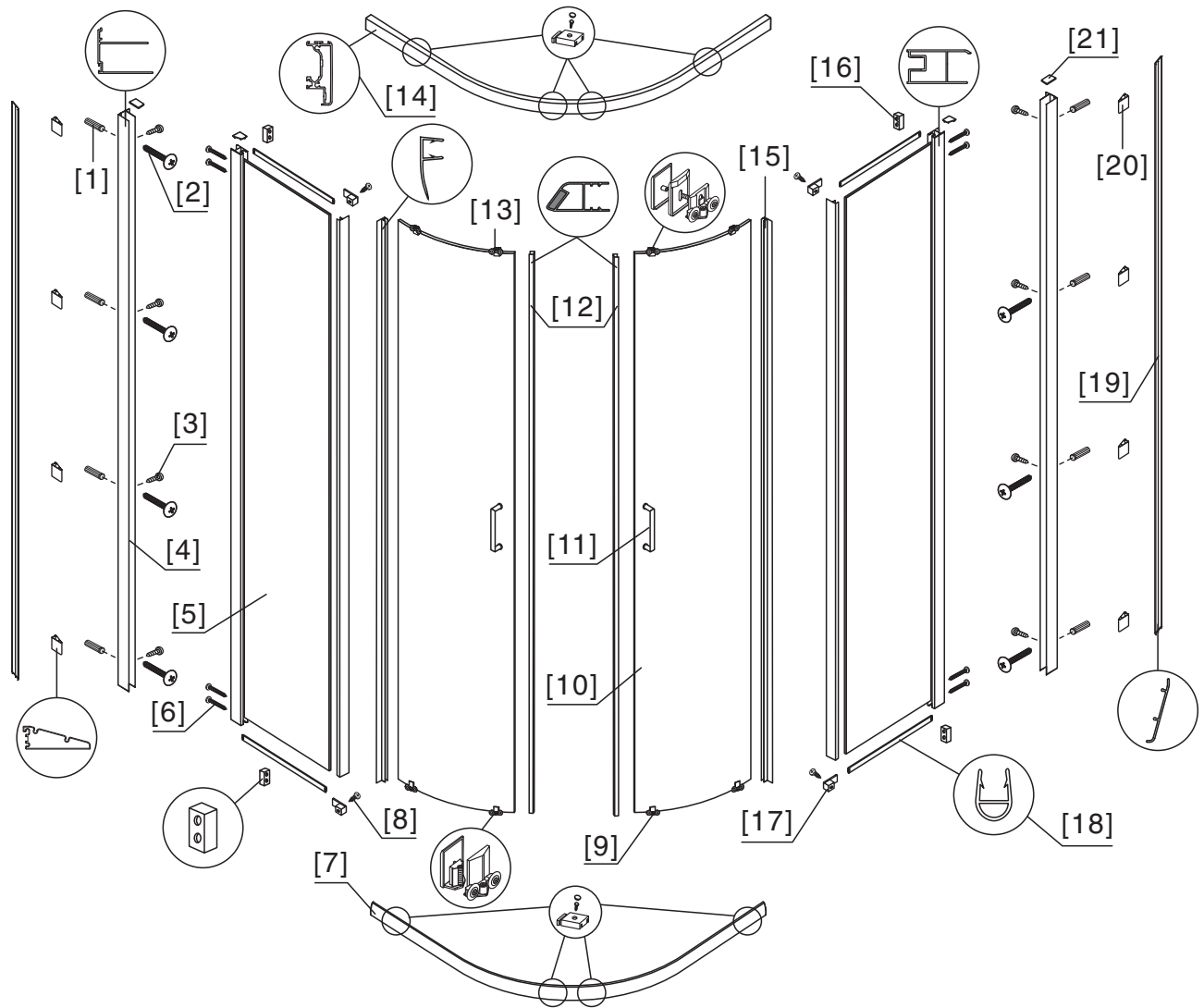
2 Fixed Panels



2 Curved Door Panels



ASSEMBLY DRAWING



- [1] 8 Wall Anchors / Plugs
- [2] 8 Flat Screws M4x35
- [3] 8 Screws M4x10
- [4] 2 Wall Posts
- [5] 2 Fixed Panels
- [6] 8 Flat Screws M4x35
- [7] 1 Bottom Horizontal Rail
- [8] 4 Screws M4x16
- [9] 4 Bottom Rollers
- [10] 2 Curved Door Panels
- [11] 2 Handle Sets

- [12] 2 Magnetic Gaskets
- [13] 4 Top Rollers
- [14] 1 Top Horizontal Rail
- [15] 4 Side Gaskets
- [16] 4 Spacer Blocks
- [17] 4 Clips
- [18] 4 Top and Bottom Gaskets
- [19] 2 Side Profile Covers
- [20] 8 Inserts
- [21] 4 Wall Jamb Caps

INSTALLATION NOTES:

This unit is recommended to be installed by two people. Two people are **required** for sections 2 and 3.

Cover drain with tape prior to installation to prevent the loss of small parts.

Unpack your unit carefully and inspect for freight damage. Lay out and identify all parts using box contents page as a reference. Before discarding the carton check to see that no small hardware parts have fallen to the bottom of the box. If any parts are damaged or missing refer to the description noted on the replacement parts page when inquiring about replacements.

Handle the glass panels carefully and protect the edges. Although tempered glass is very resistant to breakage, the glass can still break if unequal pressure is applied during installation and the sharp corners of the panel can damage tile and flooring surface.

Be sure to wear safety glasses whenever drilling or cutting. When drilling holes in ceramic tile or marble use a **center punch** and hammer to carefully break the glazed surface. This will prevent skidding when drilling.

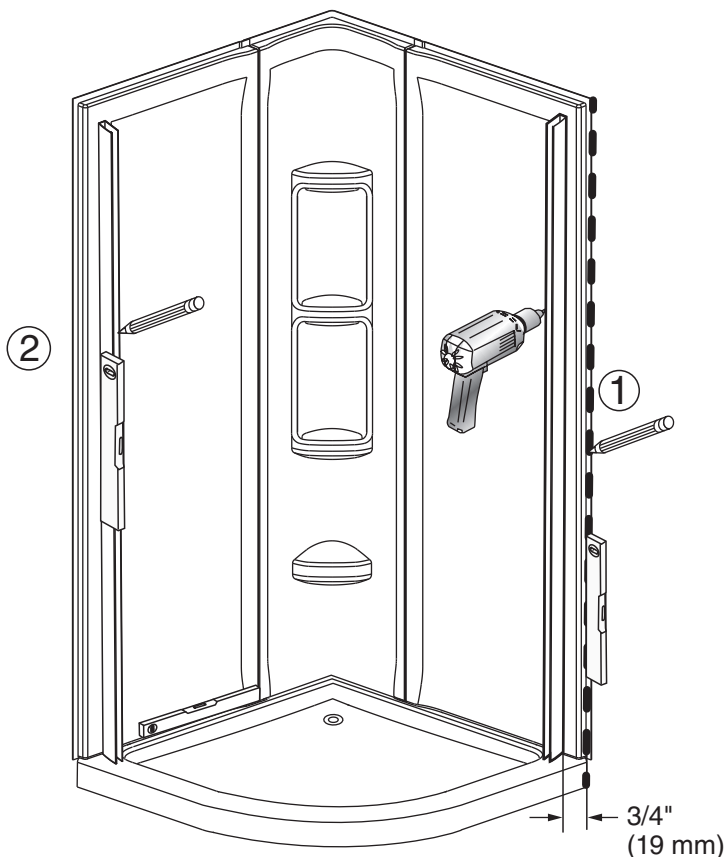
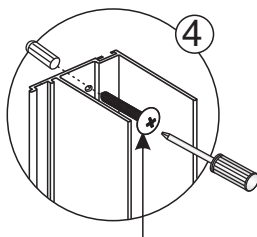
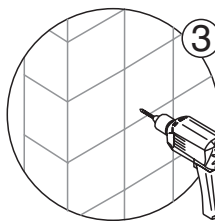
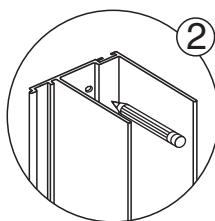
NOTE: TEMPERED GLASS CANNOT BE DRILLED, CUT OR MODIFIED.

1 ATTACHING WALL POSTS

1. With the shower base and walls installed, use a level to mark vertical lines at the outside edge of the shower base as shown.
2. Position a Wall Post [4] 3/4" from the drawn line. Ensure that it is plumb and mark the location of the mounting holes on the wall.
3. Remove the post. Using an 1/8" drill bit, drill holes where marked on the wall.
4. Replace the wall post and ensure that the holes on the side of the wall post face the inside of the shower enclosure. Fasten the wall post to the wall using the M4 x 35 Flat Screws [2].

Note: If not using the Axis Shower Wall (Model 3838CW), then wall anchors [1] must be used.

5. Repeat above steps for the second wall post.

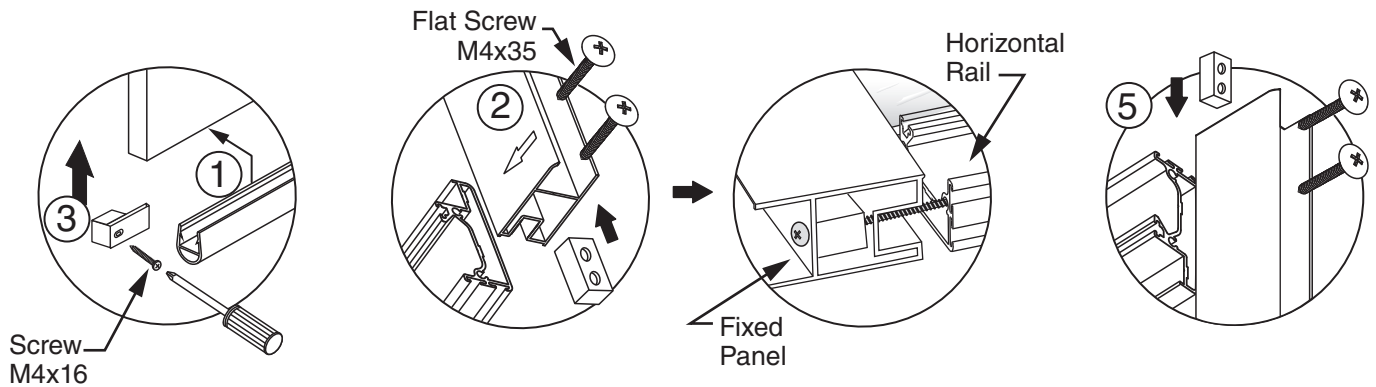
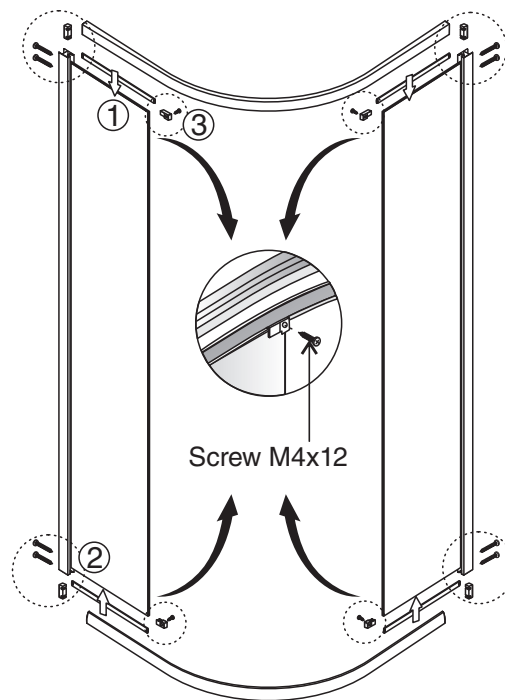


⚠ NOTE: TWO PEOPLE REQUIRED FOR THIS ASSEMBLY!

1. Attach the four Gaskets [18] to the top and bottom of both Fixed Panels [5]. Without all four gaskets in place on the Fixed Panels, the doors may not operate correctly.

⚠ For the next few steps, work with the Bottom and Top rails and Fixed Panels on the floor.
Be sure to clear enough floor space in which to work.

2. Attach one of the Fixed Panels to the Bottom Horizontal Rail using a Spacer Block [16] and the Flat M4 x 35 Screws [2].
3. Secure the Fixed Panel to the Bottom Horizontal Rail with a Clip [17] and a M4 x 16 Screw [8]. Mount so that the Fixed Panel extrusion is flush with the top and bottom rails. If not flush, turn the Fixed Panel vertically.
4. Repeat 2 and 3 for the second Fixed Panel.
5. Attach the Fixed Panels to the Top Horizontal Rail [14] following steps 2 thru 4.

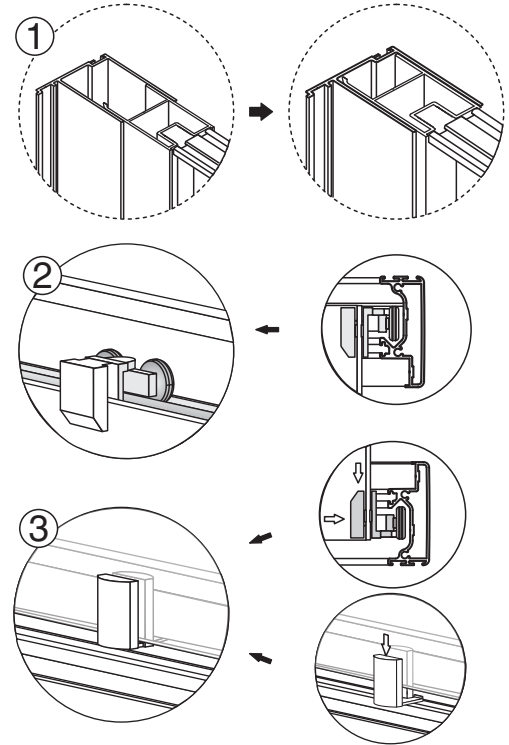
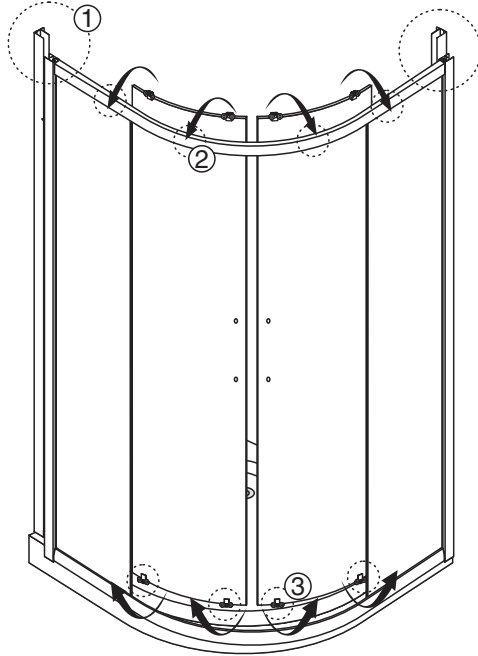


3

FITTING FRAME ASSEMBLY INTO OPENING AND INSTALLING THE SLIDING DOOR PANELS

▲ NOTE: TWO PEOPLE REQUIRED FOR THIS STEP!

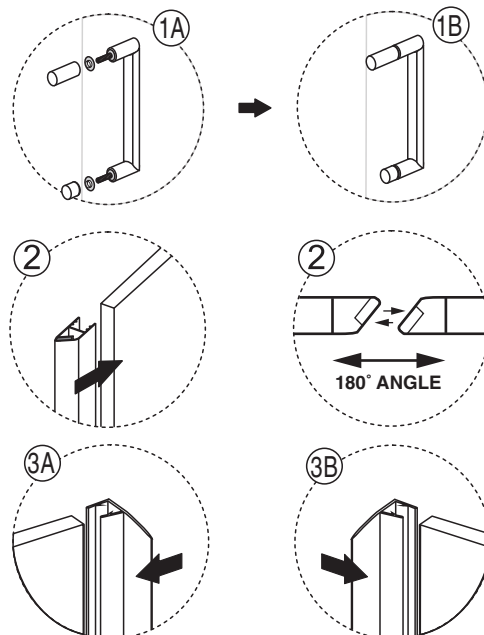
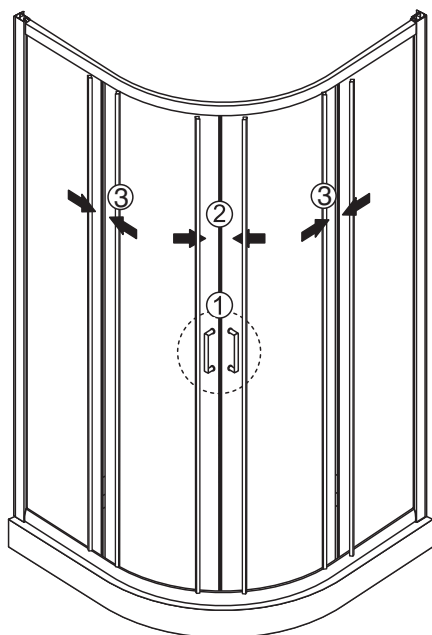
1. Place the completed frame on the shower base and insert the ends into the wall posts. Be sure that the frame is centered on the shower base and the frame is fully inserted into the Wall Posts. In Section 5, adjustments to the frame can be made by decreasing the insertion amount prior to attaching the frame to the wall posts permanently.
2. Install a Curved Door Panel [10] in the frame by placing the Top Rollers [13] in the Top Rail. This will allow the frame to support the Door Panel for the next step.
3. Pull the Bottom Rollers [9] down and insert them into the Bottom Rail.
4. Repeat steps 2 and 3 for the second door.
5. Apply lube to the Top and Bottom Rollers on each door.



4

INSTALLING THE HANDLE SET, MAGNETIC GASKETS, AND SIDE GASKETS

1. Install the Handle Sets [11] on the Door Panels as shown.
2. Install the Magnetic Gaskets [12] on the Door Panels as shown. The two gaskets form a 180° angle when the doors meet in the closed position.
3. Install the Side Gaskets [15] on the sides of the Fixed Panels and Door Panels as shown. Be sure that the flange on the gaskets face the other panel at a 90° angle and that the longer flanges are to the inside of the shower.

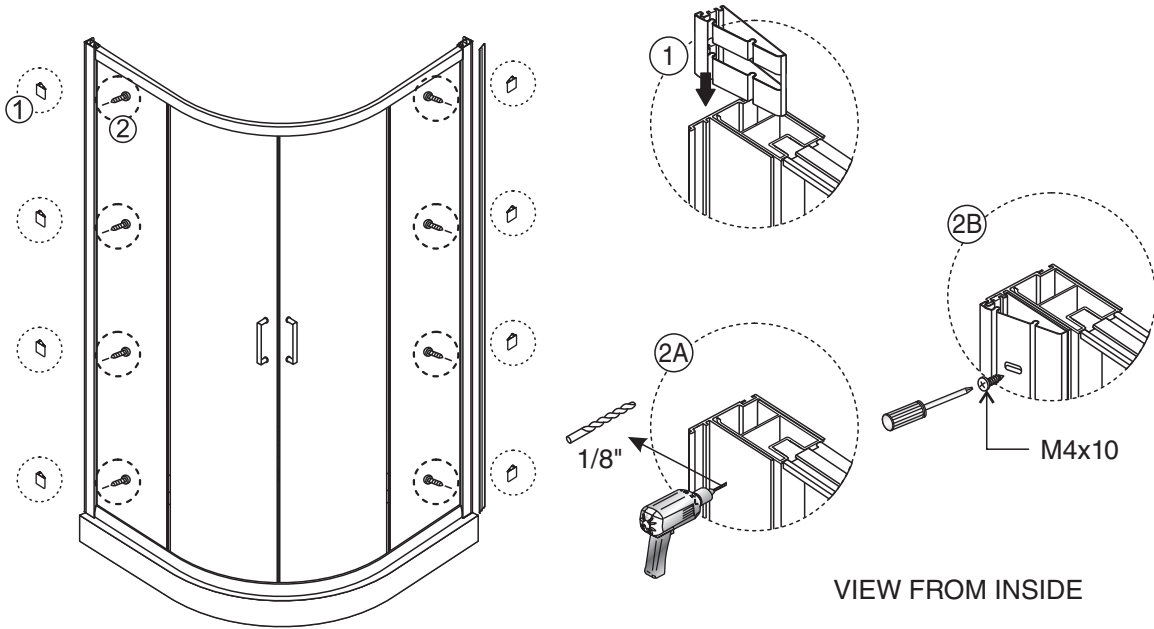


5

FIXING THE FRAME TO THE WALL POSTS

Note: Ensure that the wall profiles are plumb. Adjust the enclosure to be square and level. The frame should be adjusted to be centered between the wall posts and ensure the door opens smoothly. The frame is adjusted by increasing or decreasing the overlap between frame and wall post on each side.

1. Slide eight Inserts [20] onto the Wall Posts as shown.
2. A. Using a 1/8" drill bit, drill holes in the frame posts using the holes in the Wall Posts as location guides.
B. Slide the Inserts over the holes and secure the Wall Posts to the frame post using the M4 x 10 screws [3].

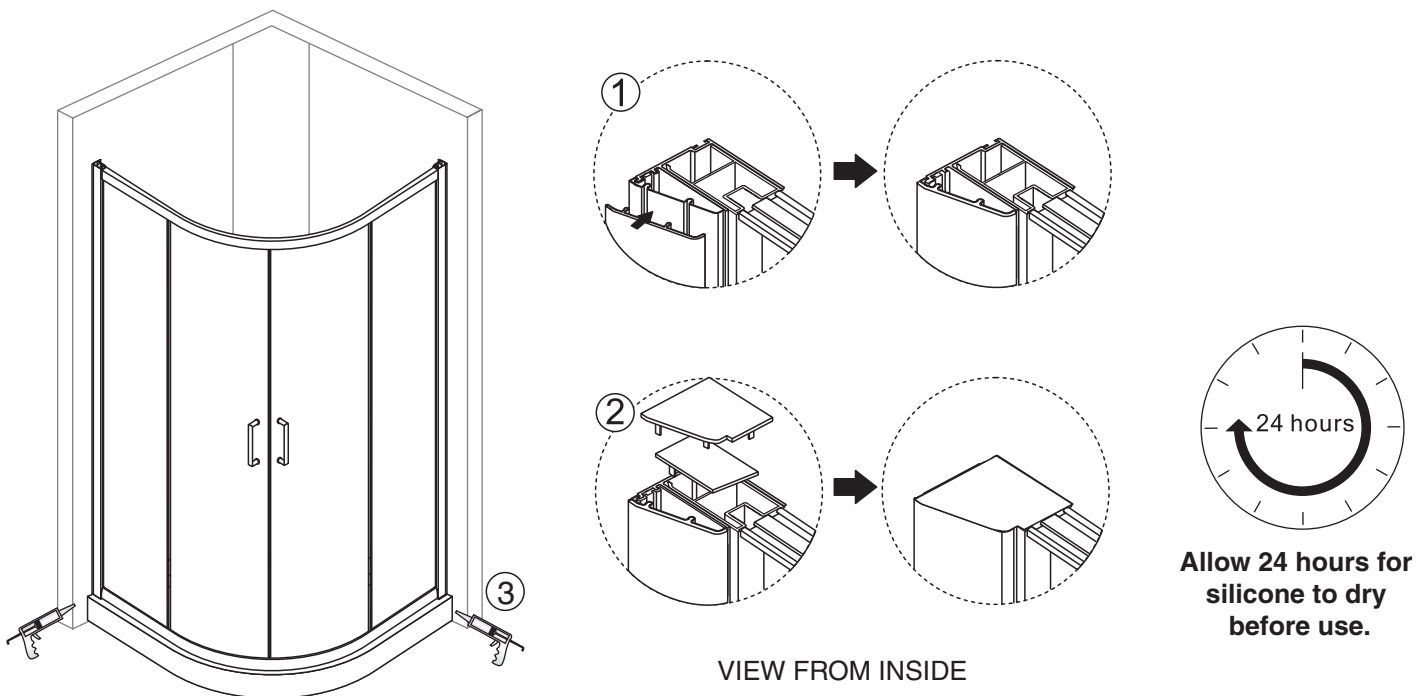


6

INSTALLING PROFILE COVERS AND APPLYING SILICONE

1. Install the Side Profile Covers [19] on the Wall Posts by snapping them over the Wall Posts as shown.
2. Install the Wall Jamb Caps [21] on the top of the Wall Posts
3. Apply silicone between Wall Posts and Wall and Bottom Rail and Shower Base.

Note: Allow 24 hours for the silicone to dry before use.



▲ Make sure the silicone is applied around all parts where the frame meets the shower base or walls.

MAINTENANCE:

Two primary materials are used to manufacture your new American Standard shower enclosure: tempered glass and anodized aluminum. To assure a long lasting finish on the enclosure, wipe it down with a towel after each use.

For occasional, more concentrated cleaning efforts **Lysol Non-Abrasive Bathroom Cleaner** works extremely well. Be sure that any over spray falling on the aluminum frame is rinsed thoroughly and dried. Many over-the-counter cleaners, if applied to the aluminum and left on, will harm the metal finish and cause permanent damage even though their directions indicate safe use on shower doors. Never use a scouring agent to clean the aluminum.

AS AMERICA, INC. LIMITED LIFETIME WARRANTY FOR SHOWER DOORS

AS America, Inc. ("American Standard") warrants to the original consumer purchaser that it will, at its sole option, repair or replace this product or any part of this product, if it confirms that the product is defective in materials or workmanship under normal use and maintenance for the lifetime of this product.

This warranty does not apply to commercial installations. Commercial installations shall have a limited warranty of 3 year(s).

This limited warranty DOES NOT COVER the following:

1. Defects or damage arising from shipping, installation, alterations, accidents, abuse, misuse, lack of proper maintenance and use of other than genuine American Standard replacement parts, in all cases whether caused by a plumbing contractor, service company, the owner or any other person.
2. Deterioration through normal wear and tear.
3. HARD WATER DAMAGE, OR DAMAGES RESULTING FROM ABUSE OR MISUSE OR FROM FAILURE TO INSTALL OR MAINTAIN THIS PLUMBING PRODUCT IN ACCORDANCE WITH THE WRITTEN INSTRUCTIONS FURNISHED BY AS AMERICA, INC.
4. USE OF CLEANING PRODUCTS CONTAINING CALCIUM HYPO CHLORITE (CHLORINE), SCOURING POWDERS OR PADS SHALL NOT BE COVERED.
5. THE USE OF SCENTED CANDLES IN CLOSE PROXIMITY WITH THIS PRODUCT CAN RESULT IN PERMANENT STAINING OF THE FINISH.
6. Expense of normal maintenance.
7. All costs of removal, transportation, labor, reinstallation or other costs including postage and/or shipping costs to obtain warranty service shall be paid by the consumer.
8. ANY LIABILITY FOR CONSEQUENTIAL OR INCIDENTAL DAMAGES, ALL OF WHICH ARE HEREBY EXPRESSLY DISCLAIMED. ANY IMPLIED WARRANTIES, INCLUDING THOSE OF MERCHANTABILITY OR FITNESS FOR PURPOSE INTENDED ARE SPECIFICALLY EXCLUDED. (Some jurisdictions do not allow limitations on how long an implied warranty lasts, or the exclusion or limitation of incidental or consequential damages, so these limitations and exclusions may not apply to you.)
9. Responsibility for compliance with local code requirements ARE EXCLUDED FROM THIS WARRANTY. (Since local code requirements vary greatly distributors, dealers, installation contractors and users of plumbing products should determine whether there are any code restrictions on the installation or use of a specific product.)

This limited warranty gives you specific legal rights. You may have other statutory rights that vary from state to state or from province to province, in which case this limited warranty does not affect such statutory rights.

For service under this warranty, it is suggested that a claim be made through the contractor or dealer from or through whom the product was purchased, or that a service request (including a description of the product model and of the defect) be sent to the following with proof of purchase or original receipt:

In the United States:

American Standard Brands
P.O. Box 6820
Piscataway, New Jersey 08855
Attention: Director of Consumer Affairs

For residents of the United States, warranty information may also be obtained by calling the following toll free number: (800) 442-1902
www.americanstandard.com

In Canada:

AS Canada ULC
5900 Avebury Rd.
Mississauga, Ontario
Canada L5R 3M3

Toll Free: (800) 387-0369
www.americanstandard.ca

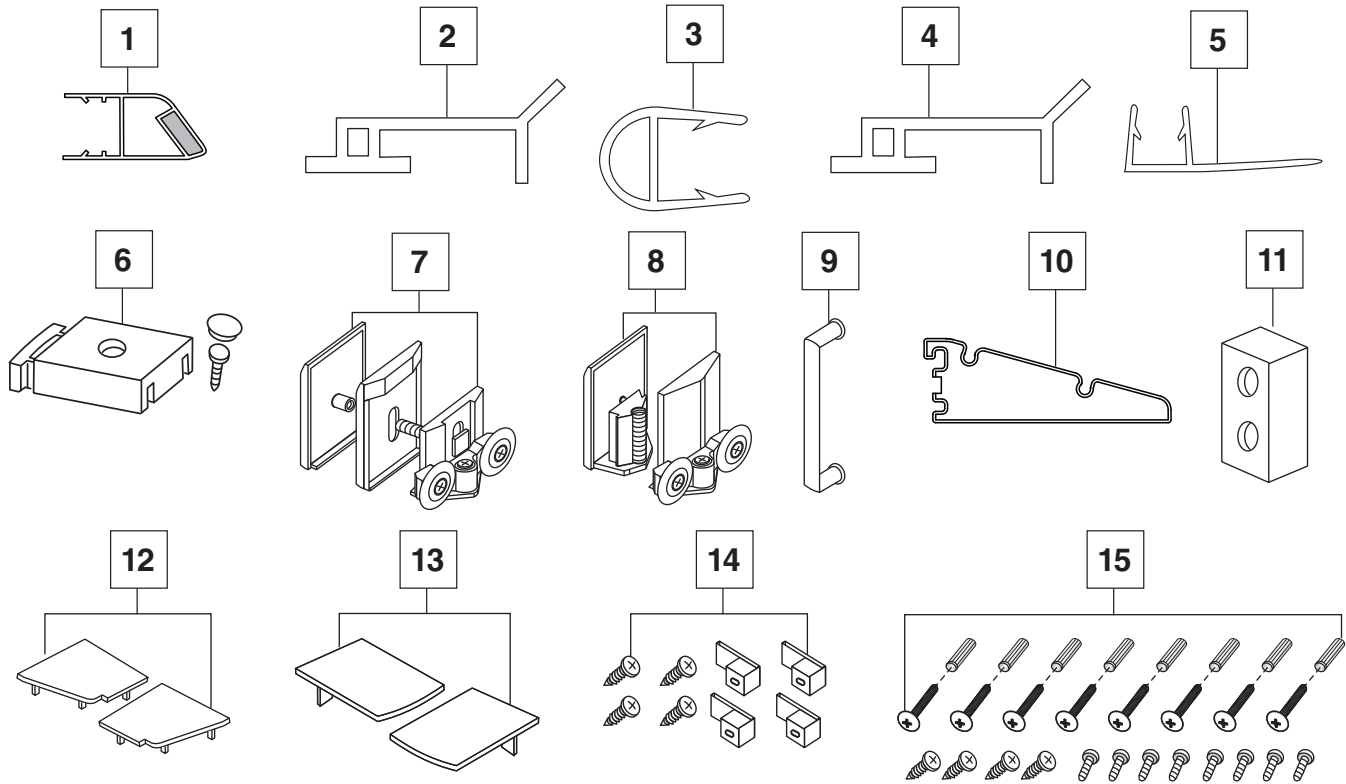
In Mexico:

American Standard B&K Mexico
S. de R.L. de C.V.
Via Morelos #330
Col. Santa Clara

Ecatepec 55540 Edo. Mexico
Toll Free: 01-800-839-1200
www.americanstandard.com.mx

AXIS 72" x 38"
ROUND SHOWER DOOR

MODEL NUMBER:
AM3838A1400 SERIES



NO.	DESCRIPTION	PART #	FINISH	QTY/UNIT
1	Magnet Gasket — 2 pieces	710389-101.0070A	N/A	1 Set
2	Wall Jamb Gasket — 2X 1818mm	710390-101.0070A	N/A	1 Set
3	Bottom Gasket	710405-101.0070A	N/A	1 Set
4	Expander Gasket — 2X 1478mm	710391-101.0070A	N/A	1 Set
5	Side Gasket — 2X 1796mm, 2X 1716mm	710392-101.0070A	N/A	1 Set
6	Stopper with Cap & Screw — 8 for each	710393-101.0070A	N/A	1 Set
7	Top Roller — 4 pieces	710394-101.2130A	Chrome	1 Set
8	Bottom Roller — 4 pieces	710395-101.2130A	Chrome	1 Set
9	Handle — 2 pieces	710396-101.2130A	Chrome	1 Set
10	Insert — 8 pieces	710397-101.0070A	N/A	1 Set
11	Spacer — 4 pieces	710398-101.0070A	N/A	1 Set
12	Wall Jamb Cap — 2 pieces	710399-101.2130A	Chrome	1 Set
13	Wall Jamb Cap — 2 pieces	710400-101.2130A	Chrome	1 Set
14	Clip with Screw — 4 for each	710401-101.2130A	N/A	1 Set
15	8X Wall Plug, 16X Screw 4x35, 4X Screw 4x16, 8X Screw 4x10	710402-101.0070A	N/A	1 Set