

INSTALLATION INSTRUCTIONS



AXIS 72x36 CURVED SHOWER DOOR MODEL: AM3636A1400 SERIES

Thank you for selecting American Standard – the benchmark of fine quality for over 100 years. To ensure this product is installed properly, please read these instructions carefully before you begin. (Certain installations may require professional help.) Also be sure your installation conforms to local codes.

GENERAL INFORMATION

Please inspect the product immediately upon receipt for transit damage, missing packs/parts or manufacturing fault. Damage reported later cannot be accepted. Please handle the product with care avoiding knocks and shocks, or loading to all sides and edges of the glass.

IMPORTANT: TEMPERED GLASS CANNOT BE DRILLED, CUT OR MODIFIED.

READ THE INSTRUCTIONS CAREFULLY

Familiarize yourself with all the parts as shown in the assembly drawing. The assembly drawing will also provide a helpful reference when relating the location of the various parts and how they are mounted.

Special care should be taken when drilling walls to avoid hidden pipes or electrical cables.

Note: This product is heavy and may require two people to install.

For product quality or installation issues, we would like to hear from you. Please do not hesitate to call American Standard at 1-800-442-1902 and follow the prompts for consumer/shower doors.

AFTER-CARE INSTRUCTIONS

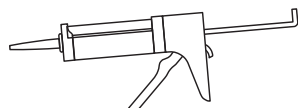
After use, your shower should be cleaned with soap and water. This is particularly important in hard water districts where insoluble lime salts may be deposited and allowed to build up. Cleaners of a gritty or abrasive nature should not be used. Care should be taken to avoid contact with strong chemicals such as organic solvents and strippers.

Glass cleaners can be used but with caution, if in doubt contact the manufacturer of the cleaner in question.

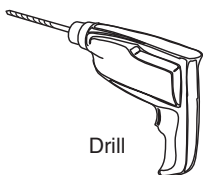
Please keep these instructions for aftercare and customer service details.

SAVE FOR FUTURE USE

REQUIRED TOOLS AND MATERIALS



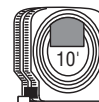
Caulking Gun & Silicone



Drill



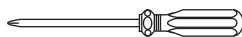
1/4" & 1/8" Drill Bits
#2 Square Drive Bit



Tape Measure



Safety Glasses



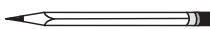
Phillips Screwdriver



Hammer



Regular Screwdriver



Pencil



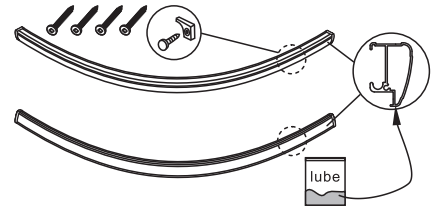
Wooden Dowel



Level

BOX CONTENTS

2 Horizontal Rails with Stoppers
 4 Screws M4x35
 1 Lube Packet



1 Installation Instructions



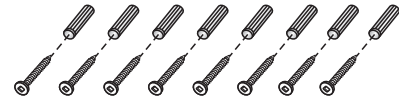
1 Knob Handle Set



2 Glass Clips
 2 Screws M4x12
 2 Wall Jamb Caps
 2 Expander Caps



8 Wall Anchors/Plugs
 8 Screws M4x35



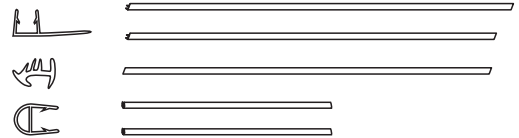
8 Screws M4x8
 8 Screw Cover Caps



1 Fixed Panel



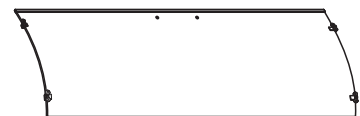
2 Side Gaskets (1 long, 1 short)
 1 Fixed Panel Gasket
 2 Gaskets (Top and Bottom)



2 Wall Posts



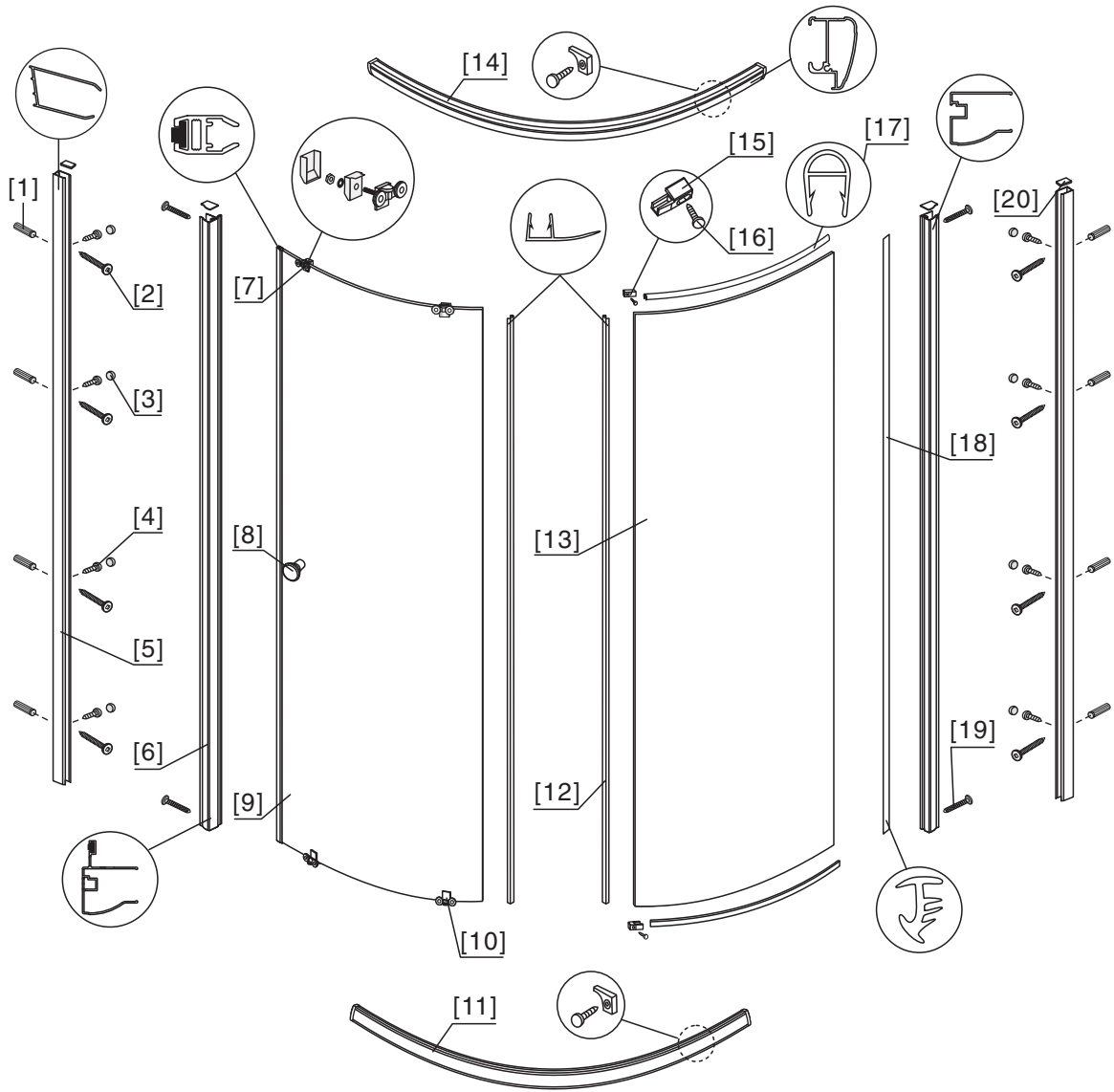
1 Door Panel



2 Frame Posts



ASSEMBLY DRAWING



- [1] 8 Wall Anchors/Plugs
- [2] 8 Screws M4x35
- [3] 8 Screw Cover Caps
- [4] 8 Screws M4x8
- [5] 2 Wall Posts
- [6] 2 Frame Posts
- [7] 2 Top Rollers
- [8] 1 Knob Handle Set
- [9] 1 Door Panel
- [10] 2 Bottom Rollers

- [11] 1 Bottom Horizontal Rail
- [12] 2 Side Gaskets
- [13] 1 Fixed Panel
- [14] 1 Top Horizontal Rail
- [15] 2 Glass Clips
- [16] 2 Screws M4x12
- [17] 2 Gaskets (Top and Bottom)
- [18] 1 Fixed Panel Gasket
- [19] 4 Screws M4x35
- [20] 4 Wall Jamb and Extender Caps

INSTALLATION NOTES:

This unit is best installed by two people.

Cover drain with tape prior to installation to prevent the loss of small parts.

Unpack your unit carefully and inspect for freight damage. Lay out and identify all parts using instruction sheet as a reference. Before discarding the carton check to see that no small hardware parts have fallen to the bottom of the box. If any parts are damaged or missing refer to the description noted in the instructions when inquiring about replacements. See replacement parts list for further assistance.

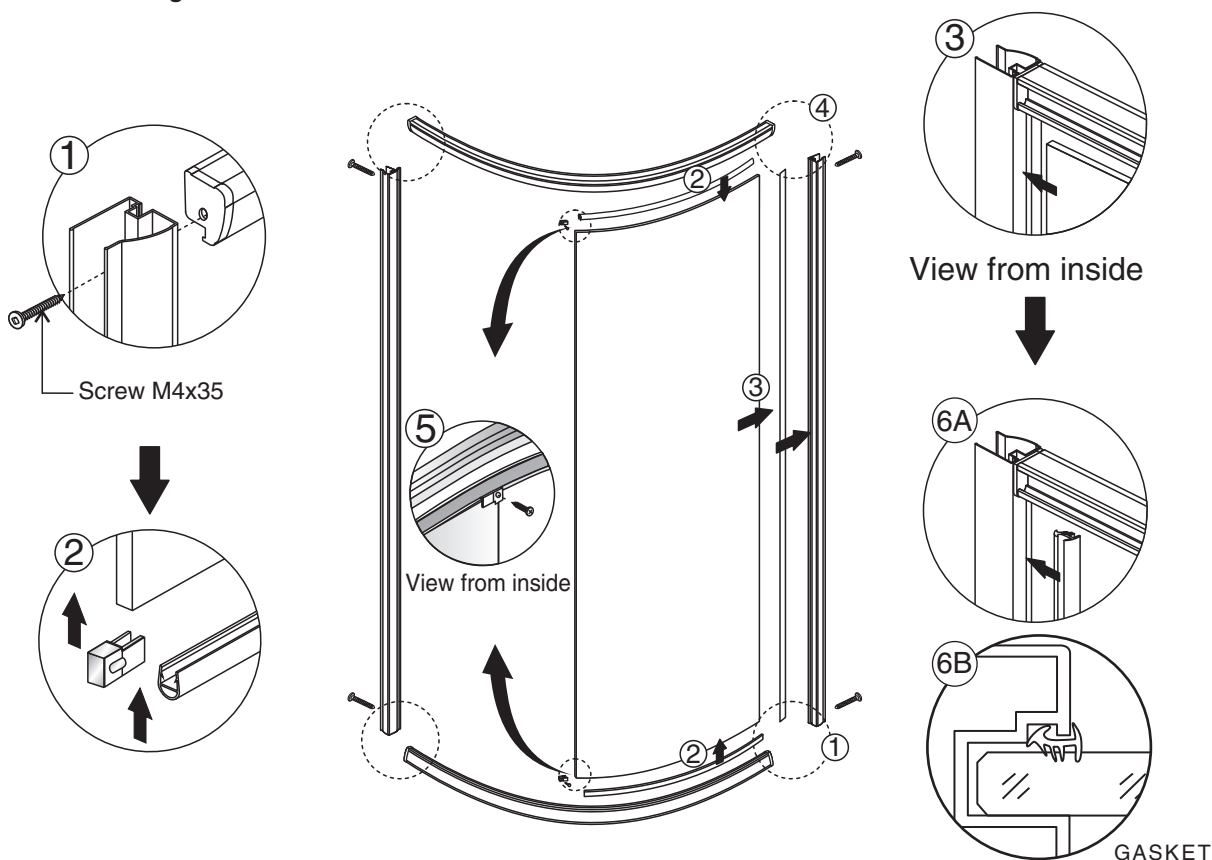
Handle the glass panels carefully and protect the edges. Although tempered glass is very resistant to breakage the glass can still break if unequal pressure is applied during installation and the sharp corners of the panel can damage tile and flooring surface.

Be sure to wear safety glasses whenever drilling or cutting. When drilling holes in ceramic tile or marble use a center punch and hammer to carefully break the glazed surface. This will prevent skidding when drilling.

NOTE: TEMPERED GLASS CANNOT BE DRILLED, CUT OR MODIFIED.

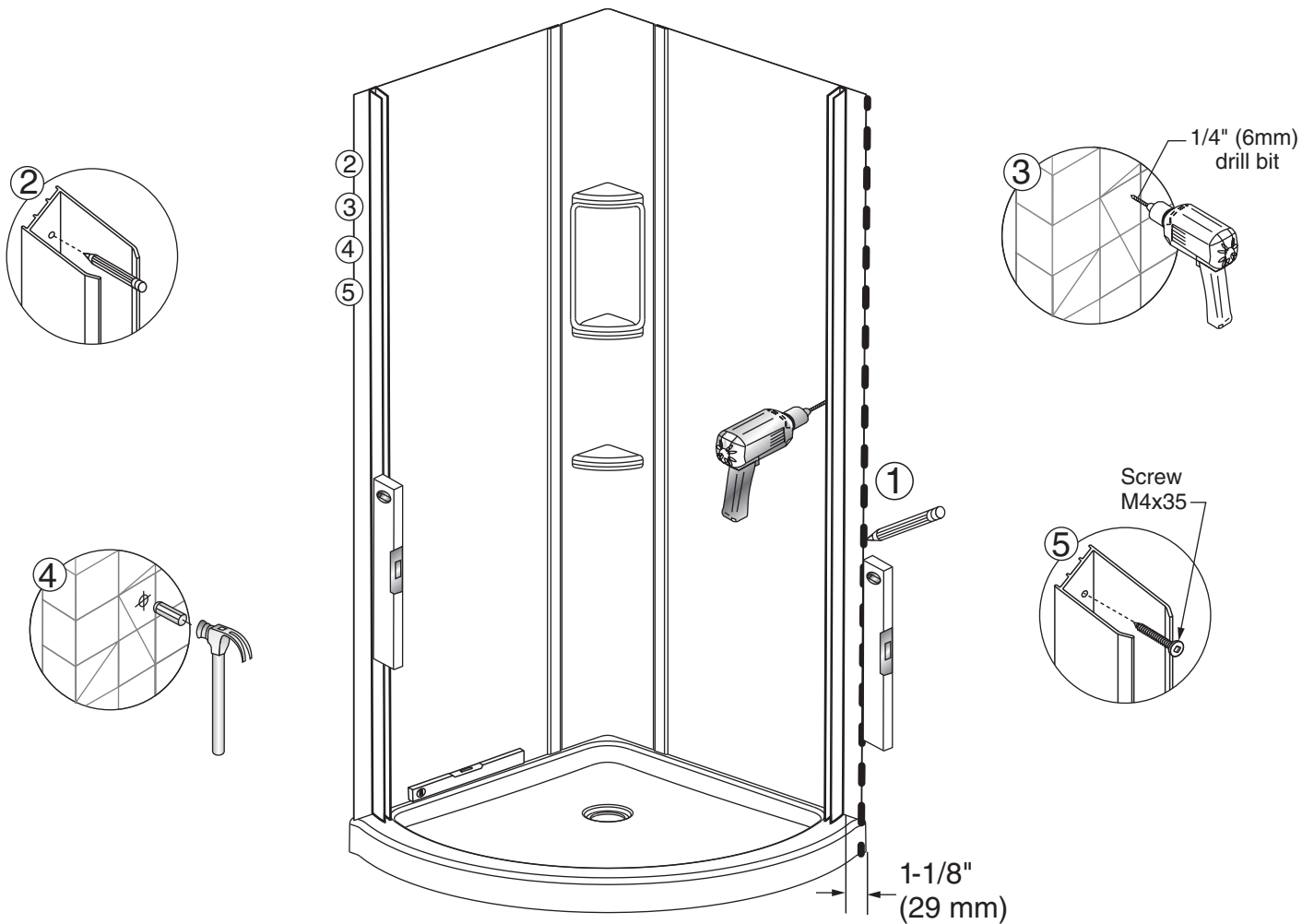
1 ASSEMBLE FRAME (Two people required)

1. Assemble Frame Posts [6] to Bottom Horizontal Rail [11] using the M4 x 35 Screws [19].
Note: The post with the magnetic strip is to be on the side that the sliding door is on and the stopper on the horizontal rail is to be closest to the other post. *(See page 6)
2. Install Top and Bottom Gaskets [17] on the top and bottom of the Fixed Panel [13] using the Glass Caps [15] to determine the starting point of the Gasket.
Note: To aid the installation of the gasket work it from side to side as you push it on the Fixed Panel.
3. Insert the Fixed Panel in the groove of the Post without the magnetic strip. Be sure that it is fully inserted into the groove.
4. Attach Top Horizontal Rail [14] to Posts using the M4 X 35 Screws [19].
5. Secure Glass Clips to Top and Bottom Rails using M4 X 12 Screws [16].
6. A–B Insert Fixed Panel Gasket [18] into the gap on the inside of the Fixed Panel and Post as shown. Start about 3" (76mm) from the top and press the gasket in working down the panel. Press in the remaining portion of the gasket at the top of the panel.
Note: To aid insertion, press against the gasket with wooden dowel and slide it along the length of the Fixed Panel.
Trim excess gasket as needed.



2 ATTACHING WALL POSTS

1. With the shower base and walls installed, use a level to mark vertical lines at the outside edge of the shower base as shown.
2. Position a Wall Post [5] 1-1/8" (29mm) from the line. Ensure that it is plumb and mark the location of the mounting holes on the wall.
3. Remove the post. Using a 1/4" drill bit, drill holes where marked on the wall.
4. Install the Wall Anchors [1] as shown. **Note –the wall anchors must be used.**
5. Ensure that the holes on the side of the wall post face the inside of the shower enclosure. Fasten the wall post to the wall using the M4 x 35 Flat Screws [2].
Repeat above for the second wall post.

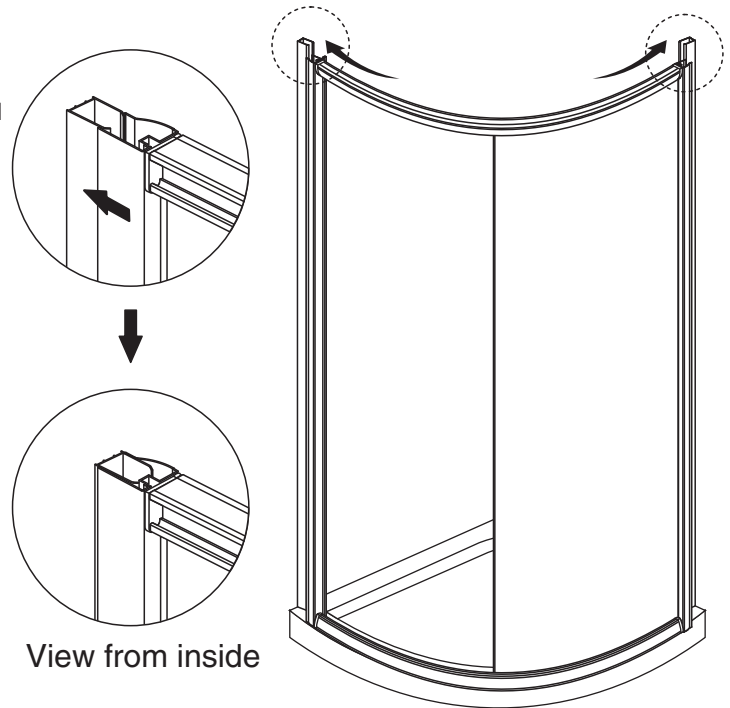


3 FITTING FRAME ASSEMBLY INTO OPENING

NOTE: TWO PEOPLE ARE REQUIRED FOR THIS STEP.

* It is recommended that the Sliding Panel be located on the same side of the shower enclosure as the shower head so the temperature can be adjusted prior to entering the shower enclosure.

1. Place the completed frame on the shower base and insert the ends into the Wall Posts. Be sure that the frame is centered on the shower base and the frame is fully inserted into the Wall Posts.

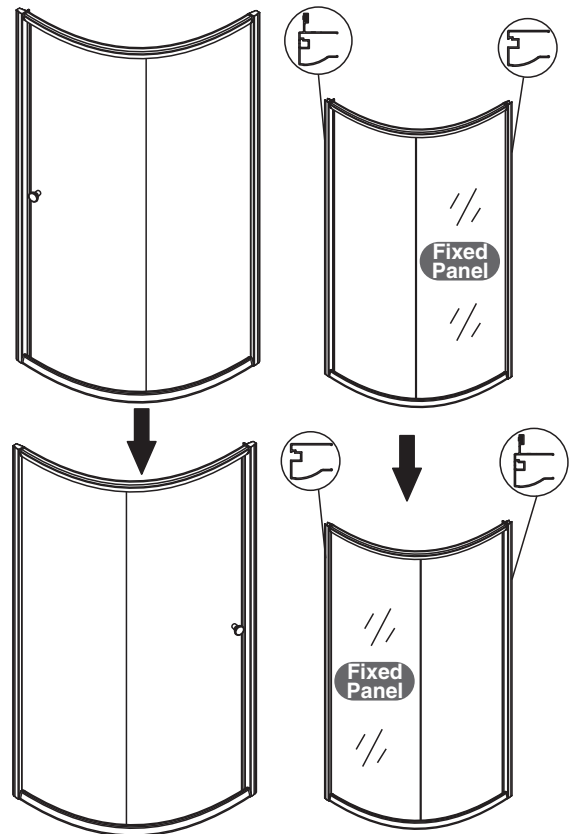
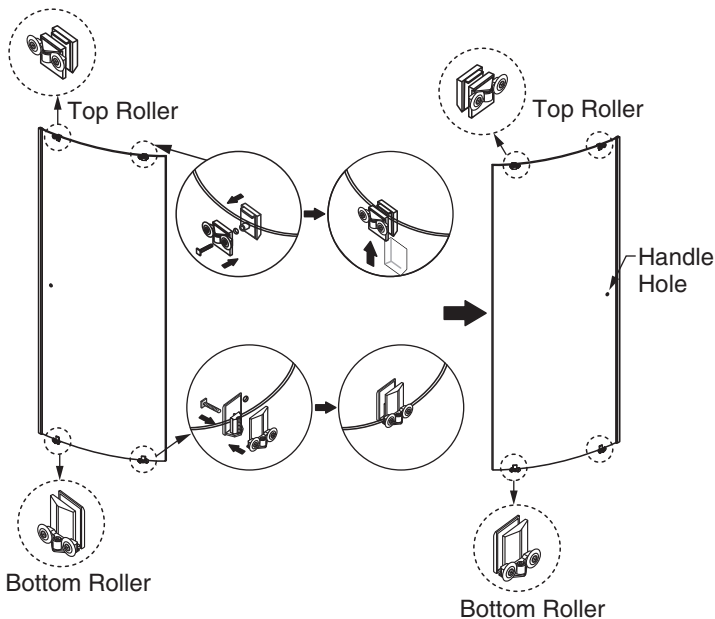


NOTE: Above illustrations show the door assembled with the Sliding Panel on the left side. If at this point in the assembly the Sliding Panel is desired to be on the right side, the frame has to be rotated as shown. The top and bottom rollers must also be switched as shown below.

! IMPORTANT: Failing to exchange the rollers could result in the door falling and breaking.

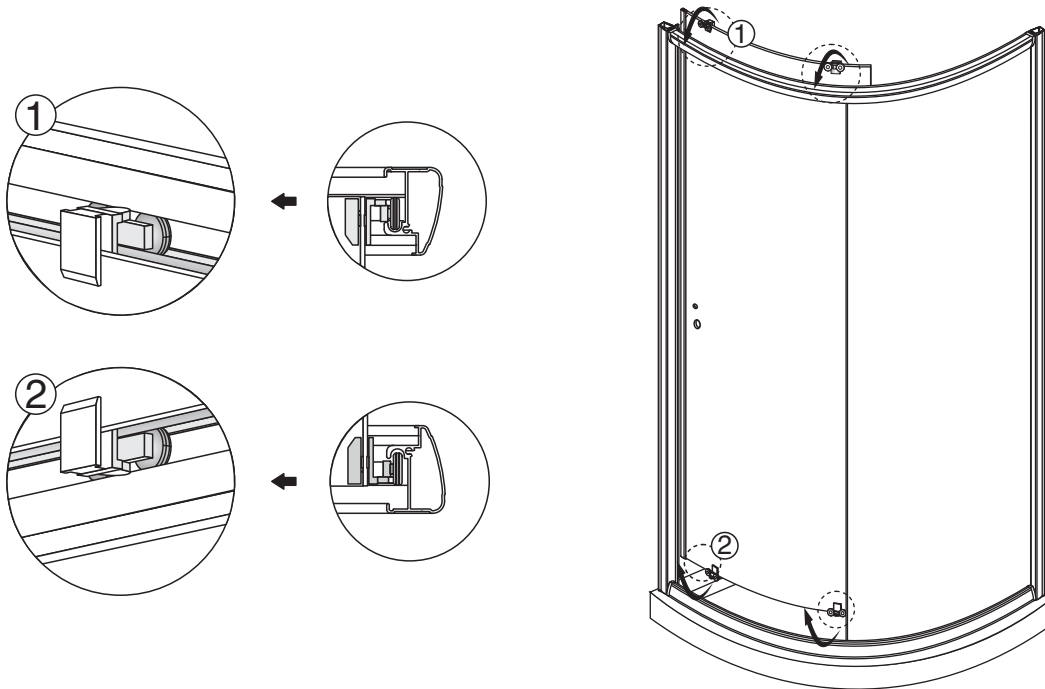
Steps to reverse door opening from left to right or right to left:

1. Frame is rotated 180 degrees.
2. Door panel is rotated 180 degrees.
3. Top and bottom rollers **must** be exchanged (top rollers to bottom, bottom rollers to top). Bottom rollers are not intended to support door from top rail.



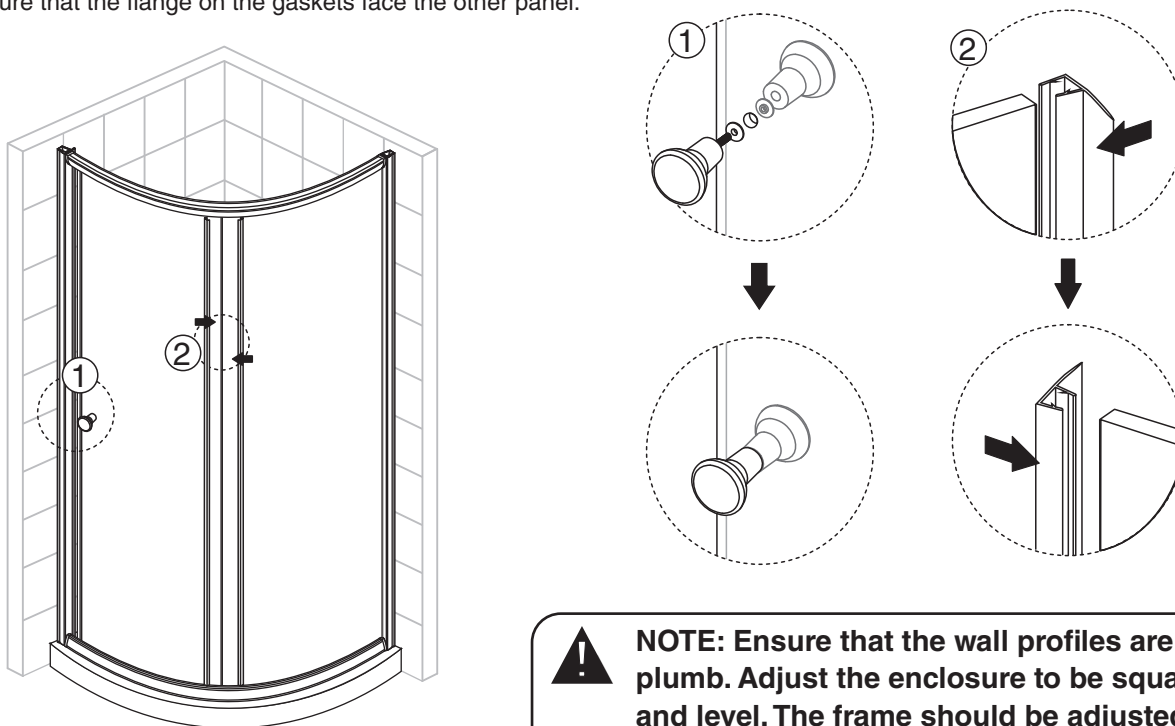
4 INSTALLING THE SLIDING DOOR PANEL

1. Install the Sliding Door Panel [9] in the frame by placing the Top Rollers [7] in the Top Rail. This will allow the frame to support the Door Panel for the next step.
2. Pull the Bottom Rollers [10] down and insert them into the Bottom Rail.



5 INSTALLING THE HANDLE SET AND SIDE GASKETS

1. Install the Knob Handle Set [8] on the Sliding Door as shown.
2. Install the Side Gaskets [12] on the side of the Panels as shown. Be sure that the flange on the gaskets face the other panel.

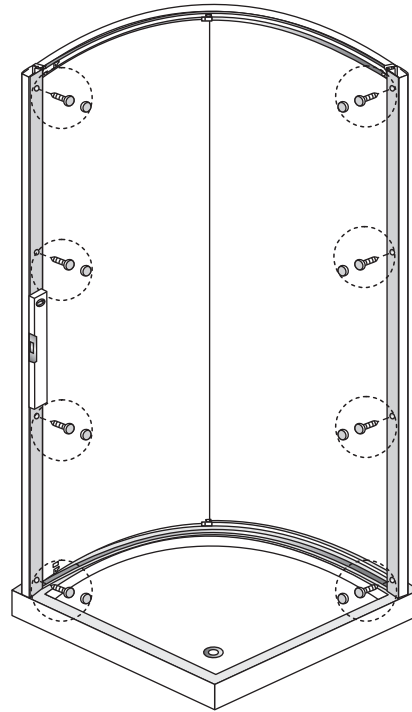
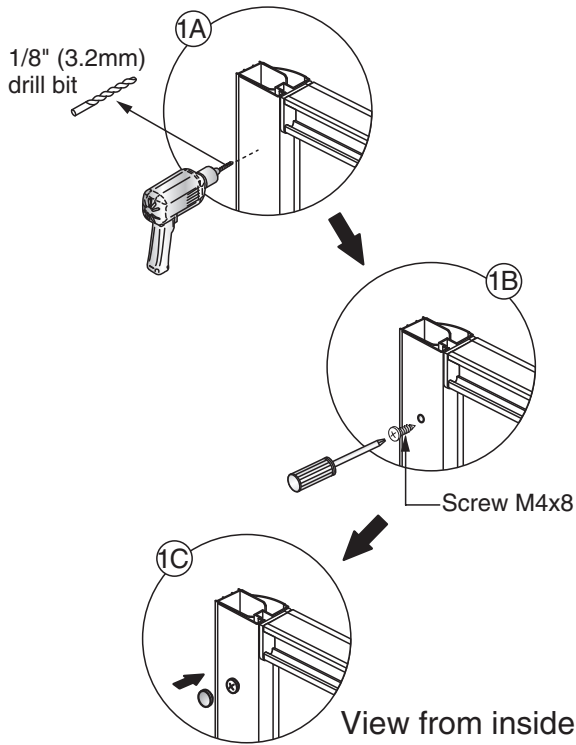


NOTE: Ensure that the wall profiles are plumb. Adjust the enclosure to be square and level. The frame should be adjusted to be centered between the wall posts and ensure the door opens smoothly.

6

FIXING THE FRAME TO THE WALL POSTS

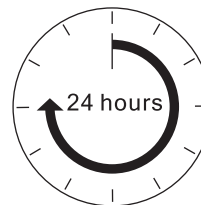
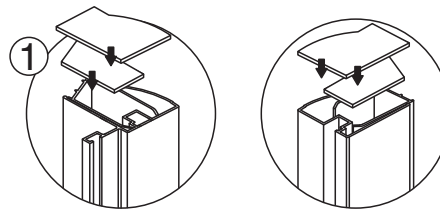
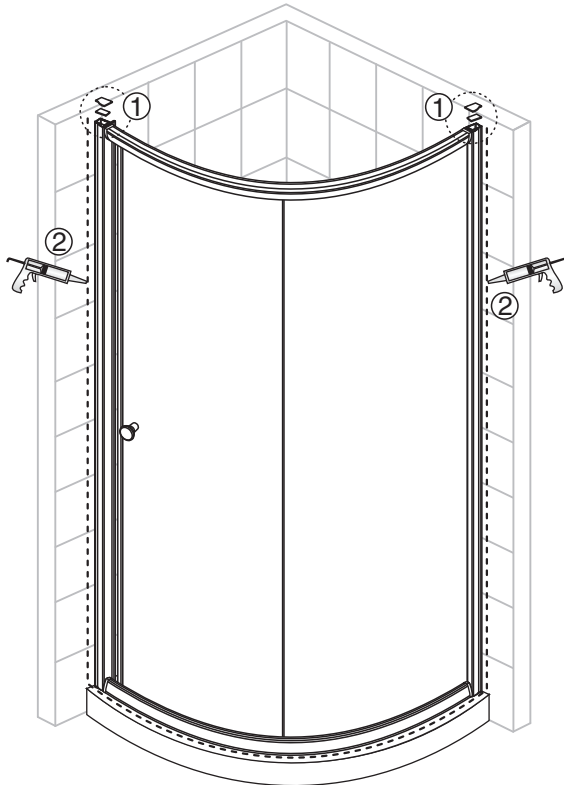
1. Using a 1/8" drill bit, drill holes in the frame posts using the holes in the Wall Posts as location guides. Secure the Wall Posts to the frame post using the M4 x 8 screws [4] and washers. Place Screw Cover Caps [3] over the screw heads.



7

APPLYING SILICONE AND INSTALLING PROFILE COVERS

1. Install the Wall Jamb and Extender Caps [20] on the top of the Wall Posts.
2. Apply silicone as shown.



Allow 24 hours for silicone to dry before use.

MAINTENANCE:

Two primary materials are used to manufacture your new American Standard shower enclosure: tempered glass and anodized aluminum. To assure a long lasting finish on the enclosure, wipe it down with a towel after each use.

For occasional, more concentrated cleaning efforts **Lysol Non-Abrasive Bathroom Cleaner** works extremely well. Be sure that any over spray falling on the aluminum frame is rinsed thoroughly and dried. Many over-the-counter cleaners, if applied to the aluminum and left on, will harm the metal finish and cause permanent damage even though their directions indicate safe use on shower doors. Never use a scouring agent to clean the aluminum.

AS AMERICA, INC. LIMITED LIFETIME WARRANTY FOR SHOWER DOORS

AS America, Inc. ("American Standard") warrants to the original consumer purchaser that it will, at its sole option, repair or replace this product or any part of this product, if it confirms that the product is defective in materials or workmanship under normal use and maintenance for the lifetime of this product.

This warranty does not apply to commercial installations. Commercial installations shall have a limited warranty of 3 year(s).

This limited warranty DOES NOT COVER the following:

1. Defects or damage arising from shipping, installation, alterations, accidents, abuse, misuse, lack of proper maintenance and use of other than genuine American Standard replacement parts, in all cases whether caused by a plumbing contractor, service company, the owner or any other person.
2. Deterioration through normal wear and tear.
3. HARD WATER DAMAGE, OR DAMAGES RESULTING FROM ABUSE OR MISUSE OR FROM FAILURE TO INSTALL OR MAINTAIN THIS PLUMBING PRODUCT IN ACCORDANCE WITH THE WRITTEN INSTRUCTIONS FURNISHED BY AS AMERICA, INC.
4. USE OF CLEANING PRODUCTS CONTAINING CALCIUM HYPO CHLORITE (CHLORINE), SCOURING POWDERS OR PADS SHALL NOT BE COVERED.
5. THE USE OF SCENTED CANDLES IN CLOSE PROXIMITY WITH THIS PRODUCT CAN RESULT IN PERMANENT STAINING OF THE FINISH.
6. Expense of normal maintenance.
7. All costs of removal, transportation, labor, reinstallation or other costs including postage and/or shipping costs to obtain warranty service shall be paid by the consumer.
8. ANY LIABILITY FOR CONSEQUENTIAL OR INCIDENTAL DAMAGES, ALL OF WHICH ARE HEREBY EXPRESSLY DISCLAIMED. ANY IMPLIED WARRANTIES, INCLUDING THOSE OF MERCHANTABILITY OR FITNESS FOR PURPOSE INTENDED ARE SPECIFICALLY EXCLUDED. (Some jurisdictions do not allow limitations on how long an implied warranty lasts, or the exclusion or limitation of incidental or consequential damages, so these limitations and exclusions may not apply to you.)
9. Responsibility for compliance with local code requirements ARE EXCLUDED FROM THIS WARRANTY. (Since local code requirements vary greatly distributors, dealers, installation contractors and users of plumbing products should determine whether there are any code restrictions on the installation or use of a specific product.)

This limited warranty gives you specific legal rights. You may have other statutory rights that vary from state to state or from province to province, in which case this limited warranty does not affect such statutory rights.

For service under this warranty, it is suggested that a claim be made through the contractor or dealer from or through whom the product was purchased, or that a service request (including a description of the product model and of the defect) be sent to the following with proof of purchase or original receipt:

In the United States:

American Standard Brands
P.O. Box 6820
Piscataway, New Jersey 08855
Attention: Director of Consumer Affairs

For residents of the United States, warranty information may also be obtained by calling the following toll free number: (800) 442-1902
www.americanstandard.com

In Canada:

AS Canada ULC
5900 Avebury Rd.
Mississauga, Ontario
Canada L5R 3M3

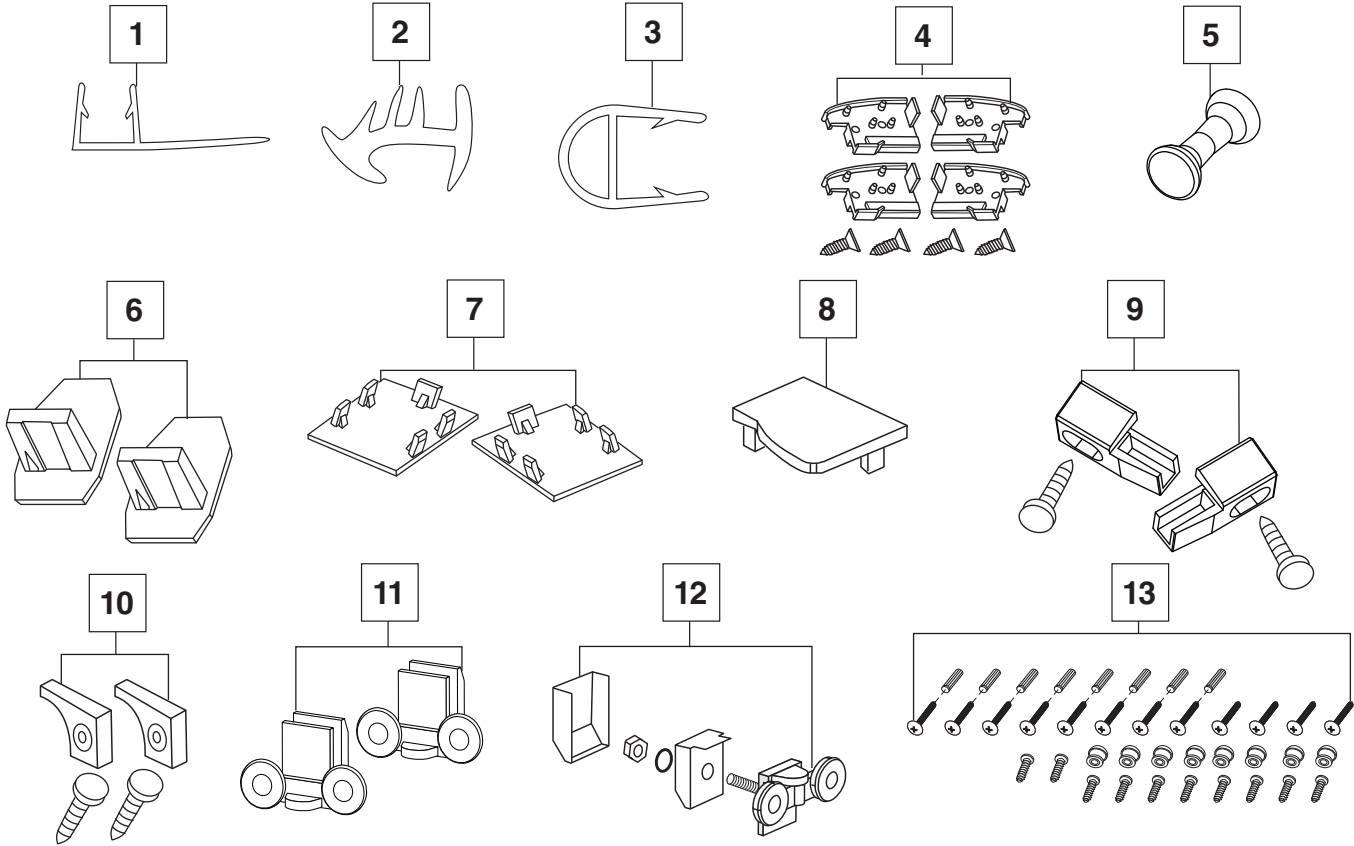
Toll Free: (800) 387-0369
www.americanstandard.ca

In Mexico:

American Standard B&K Mexico
S. de R.L. de C.V.
Via Morelos #330
Col. Santa Clara
Ecatepec 55540 Edo. Mexico
Toll Free: 01-800-839-1200
www.americanstandard.com.mx

AXIS 72" x 36"
CURVED SHOWER DOOR

MODEL NUMBER:
AM3636A1400 SERIES



NO.	DESCRIPTION	PART #	FINISH	QTY/UNIT
1	Side Gasket — 1 Long, 1 Short	710403-101.0070A	N/A	1 Set
2	Fixed Panel Gasket	710404-101.0070A	N/A	1 Piece
3	Bottom Gasket	710405-101.0070A	N/A	1 Set
4	Trackers with Screws — 2 Left, 2 Right, 4 ST3x10	710406-101.2130A	Chrome	1 Set
5	Knob Handle	710407-101.2130A	Chrome	1 Pair
6	Magnet Expander Cap— 2 pieces	710408-101.2130A	Chrome	1 Set
7	Wall Jamb Cap — 1 Left, 1 Right	710409-101.2130A	Chrome	1 Set
8	Expander & Magnet Expander Cap — 1 Left, 1 Right	710333-101.2130A	Chrome	1 Set
9	Glass Clip — 1 Left, 1 Right, 2X Screw M4x12, 2X Screw Cap	710411-101.2130A	Chrome	1 Set
10	Stopper with Screw — M4x14 2 for each	710338-101.0070A	N/A	1 Set
11	Top Roller (Pre-Assembled) — 2 pieces	710339-101.2130A	Chrome	1 Set
12	Bottom Roller (Pre-Assembled) — 2 pieces	710340-101.2130A	Chrome	1 Set
13	8X Wall Plug, 12X Screw 4x35, 2X Screw 4x12, 8X Screw 4x10, 8X Screw Cap	710415-101.2130A	Chrome	1 Set