

INSTALLATION INSTRUCTIONS

AXIS 72 x 32 SQUARE SHOWER DOOR

MODEL: AM3232S1400 SERIES

American Standard

Thank you for selecting American Standard – the benchmark of fine quality for over 100 years. To ensure this product is installed properly, please read these instructions carefully before you begin. (Certain installations may require professional help.) Also be sure your installation conforms to local codes.

GENERAL INFORMATION

Please inspect the product immediately upon receipt for transit damage, missing packs/parts or manufacturing fault. Damage reported later cannot be accepted. Please handle the product with care avoiding knocks and shocks, or loading to all sides and edges of the glass.

IMPORTANT: TEMPERED GLASS CANNOT BE DRILLED, CUT OR MODIFIED.

READ THE INSTRUCTIONS CAREFULLY

Familiarize yourself with all the parts as shown in the assembly drawing. The assembly drawing will also provide a helpful reference when relating the location of the various parts and how they are mounted.

Special care should be taken when drilling walls to avoid hidden pipes or electrical cables.

Note: This product is heavy and may require two people to install.

For product quality or installation issues, we would like to hear from you. Please do not hesitate to call American Standard at 1-800-442-1902 and follow the prompts for consumer/shower doors.

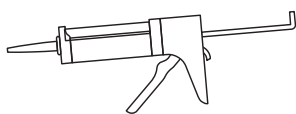
AFTER-CARE INSTRUCTIONS

After use, your shower should be cleaned with soap and water. This is particularly important in hard water districts where insoluble lime salts may be deposited and allowed to build up. Cleaners of a gritty or abrasive nature should not be used. Care should be taken to avoid contact with strong chemicals such as organic solvents and strippers.

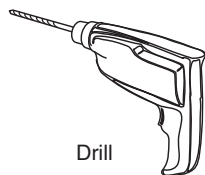
Glass cleaners can be used, but with caution; if in doubt, contact the manufacturer of the cleaner in question.

Please keep these instructions for aftercare and customer service details.

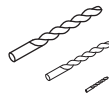
REQUIRED TOOLS AND MATERIALS



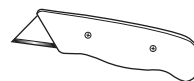
Caulking Gun & Silicone



Drill



1/4" & 1/8" Drill Bits
#2 Square Drive Bit



Utility Knife



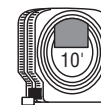
Safety Glasses



Regular Screwdriver



Hammer



Tape Measure



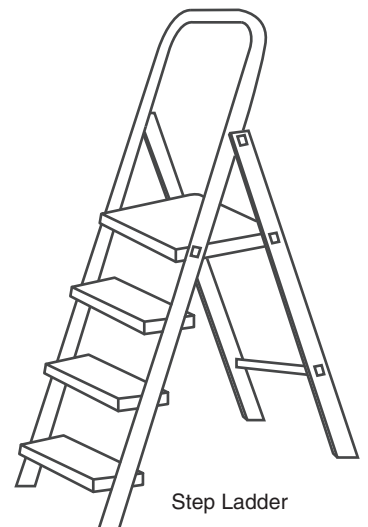
Pencil



Phillips Screwdriver



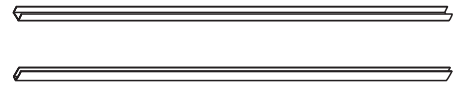
Level



Step Ladder

BOX CONTENTS

2 Wall Posts



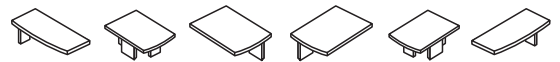
1 Corner Post



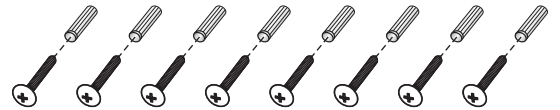
1 Installation Instructions



4 Wall Jamb Caps (Left and Right)
2 Corner Post Caps



8 Wall Anchors/Plugs
8 Flat Screws M4x35



12 Screws M4x8
12 Screw Cover Caps



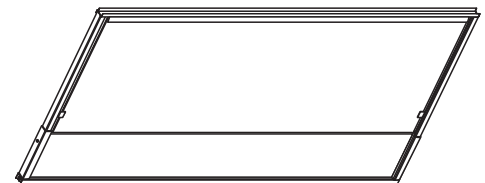
6 Screws M4x12
2 Screw Cover Caps



2 Door Bottom Gaskets



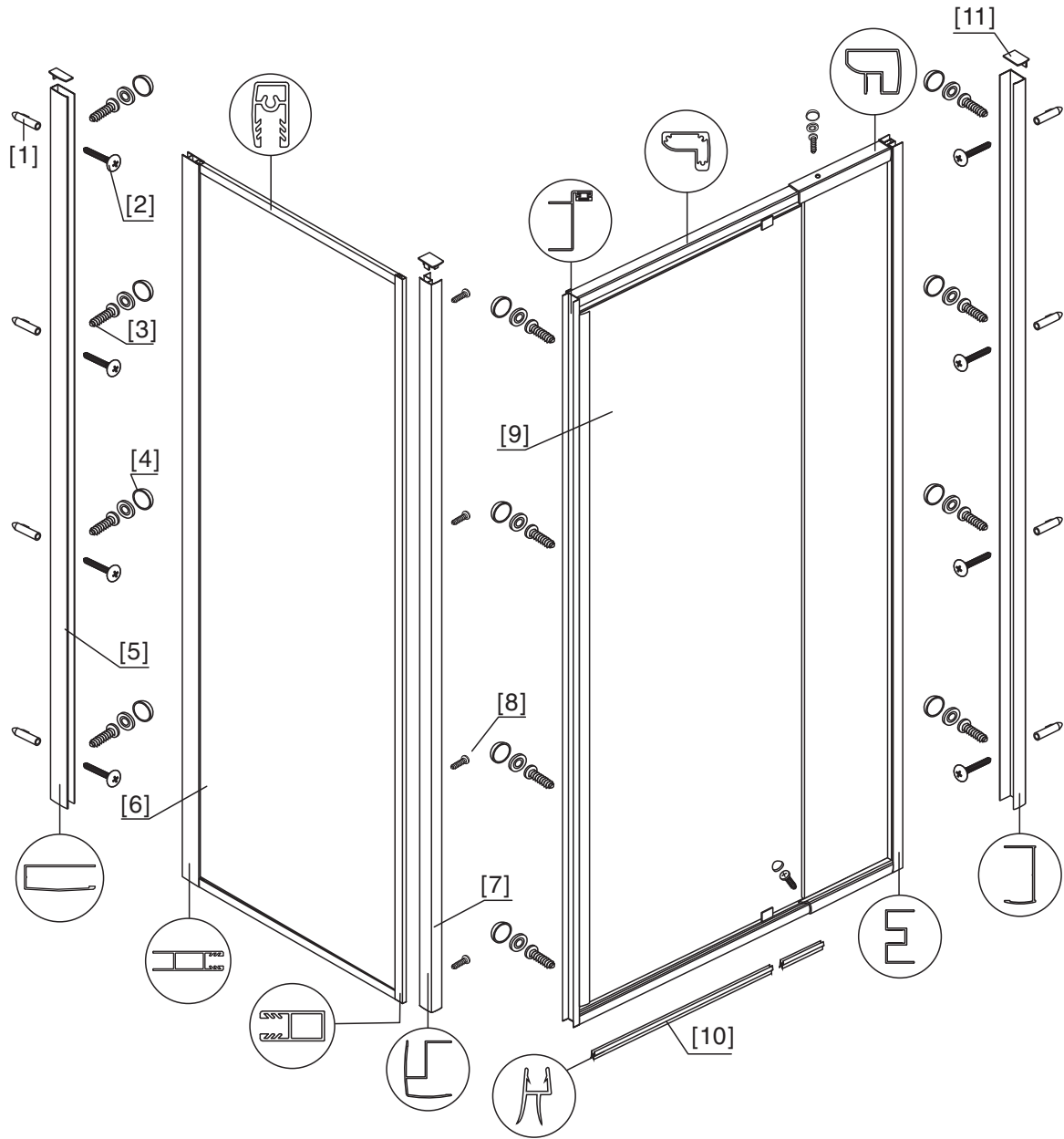
1 Hinged Door Panel + Fixed Panel



1 Fixed Panel



ASSEMBLY DRAWING



- [1] 8 Wall Anchors/Plugs
- [2] 8 Flat Screws M4x35
- [3] 12 Screws M4x8
- [4] 14 Screw Cover Caps
- [5] 2 Wall Posts

- [6] 1 Fixed Panel
- [7] 1 Corner Post
- [8] 6 Screws M4x12
- [9] 1 Door Panel + Fixed Panel
- [10] 2 Door Bottom Gaskets
- [11] 3 Wall Jamb and Corner Post Caps

INSTALLATION NOTES:

This unit is best installed by two people.

Cover drain with tape prior to installation to prevent the loss of small parts.

Unpack your unit carefully and inspect for freight damage. Lay out and identify all parts using instruction sheet as a reference. Before discarding the carton check to see that no small hardware parts have fallen to the bottom of the box. If any parts are damaged or missing refer to the description noted in the instructions when inquiring about replacements.

Handle the glass panels carefully and protect the edges. Although tempered glass is very resistant to breakage the glass can still break if unequal pressure is applied during installation and the sharp corners of the panel can damage tile and flooring surface.

Be sure to wear safety glasses whenever drilling or cutting. When drilling holes in ceramic tile or marble use a center punch and hammer to carefully break the glazed surface. This will prevent skidding when drilling.

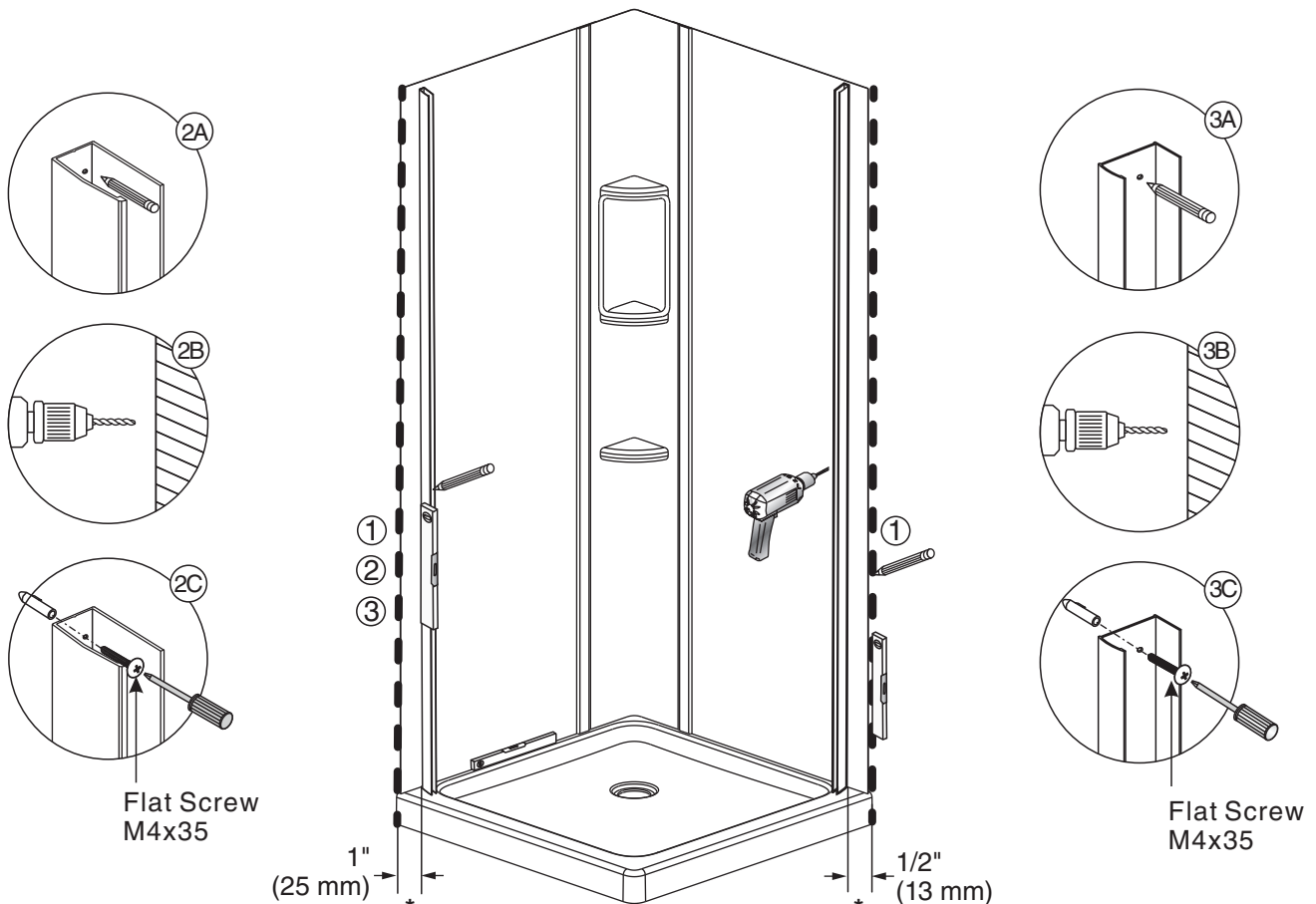
NOTE: TEMPERED GLASS CANNOT BE DRILLED, CUT OR MODIFIED.

1

1. With the shower base and walls installed, use a level to mark vertical lines at the outside edge of the shower base as shown.
2. For the Fixed Panel [6] position the Wall Post [5] 1 inch from the line. Ensure that it is level and mark the location of the mounting holes on the wall. Remove the post and using a 1/4" drill bit, drill holes where marked on the wall. Ensure that the holes on the side of the wall post face the inside of the shower enclosure. Fasten the wall post to the wall using the M4x35 Flat Screws [2] and Wall Anchors [1].

Note: The wall anchors must be used.

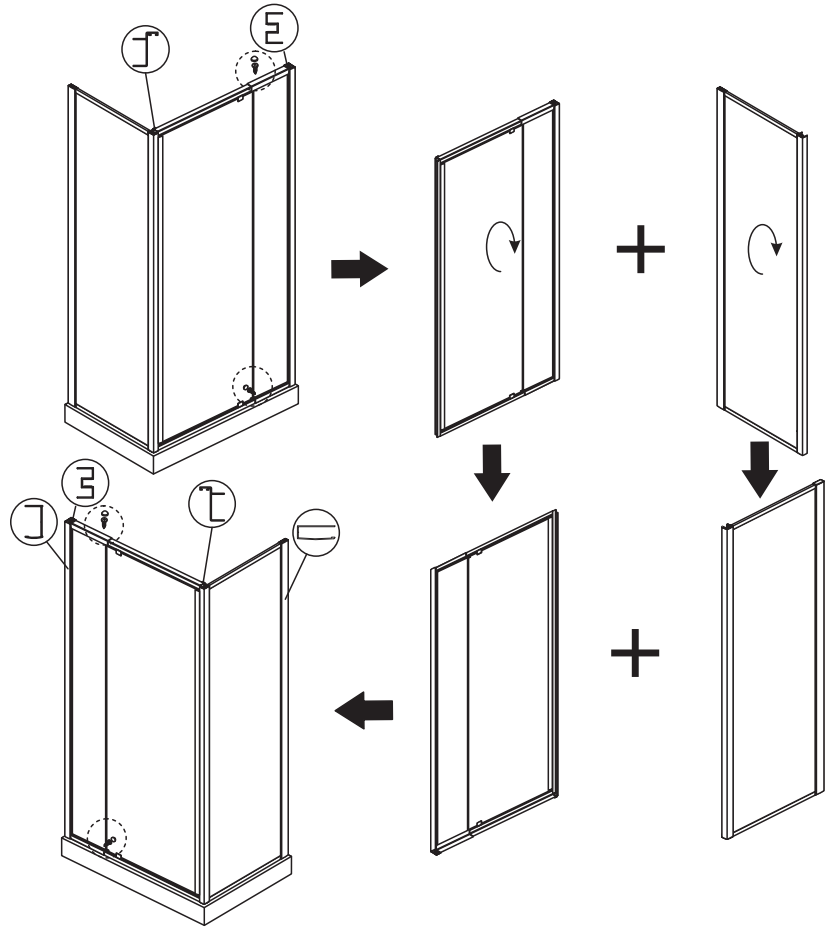
3. Repeat above for the Wall Post for the Door Panel [9] by positioning the Wall Post 1/2" (13 mm) from the drawn line.



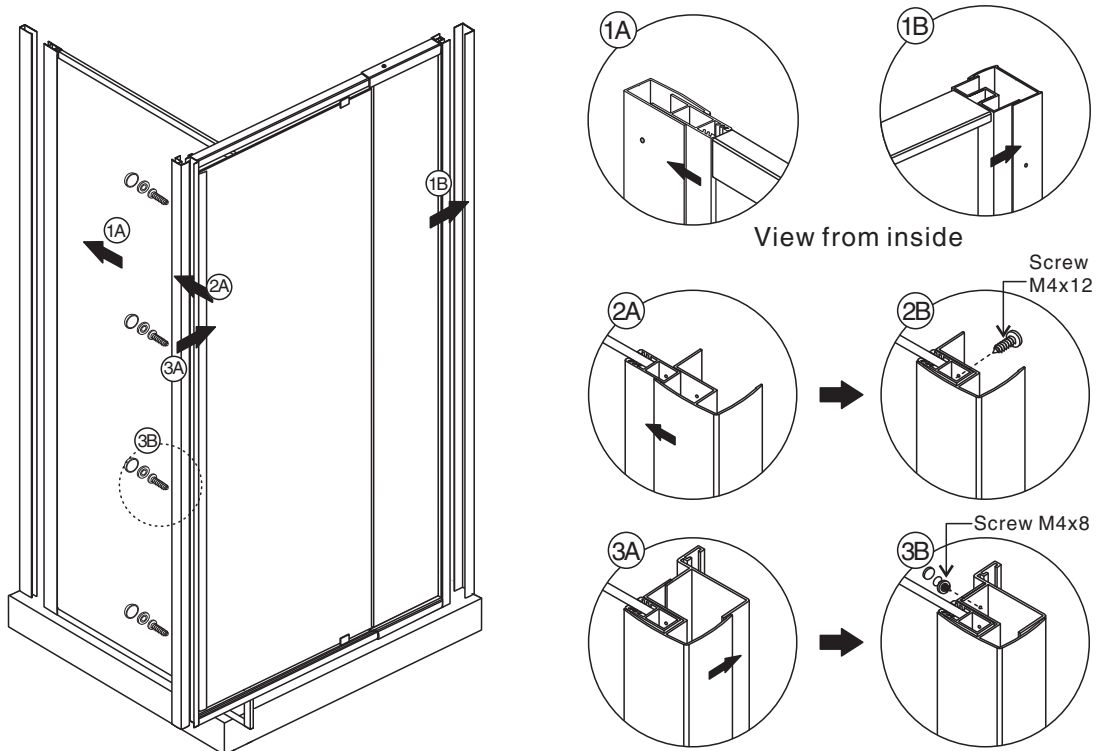
* For right side opening door

1 CONTINUED

Note: The instructions show the installation of the door on the right side of the shower base. If the door is to be installed on the left side, the wall posts need to be reversed in step 2 and the door panels need to be rotated as shown below.



- ## 2
1. Insert the Fixed Panel [6] and Door Panel [9] into the Wall Posts.
 2. Attach the Corner Post [7] to the Fixed Panel with the holes facing the inside of the enclosure. Drill holes in the Fixed Panel and secure using the M4x12 screws [8].
 3. Insert the Door Panel into the corner post and secure using the M4x8 Screws [3], Washers and Cover Caps [4].

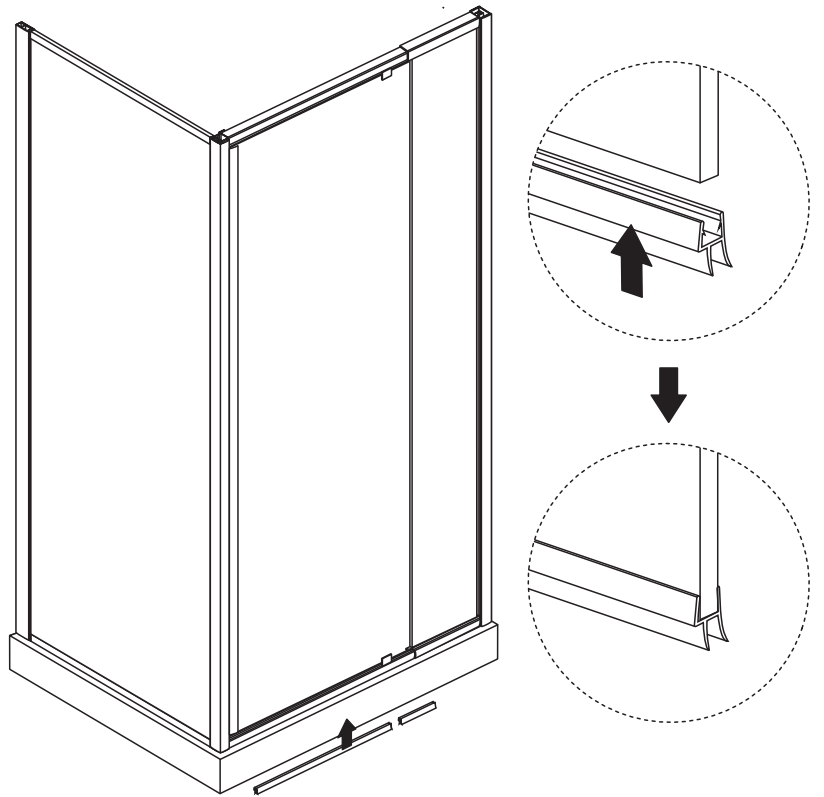


3

1. Install the Door Bottom Gaskets [10] on the bottom of the door as shown. Be sure that the gaskets extend from the door pivot to the end of the door. Some trimming of the gaskets may be required.

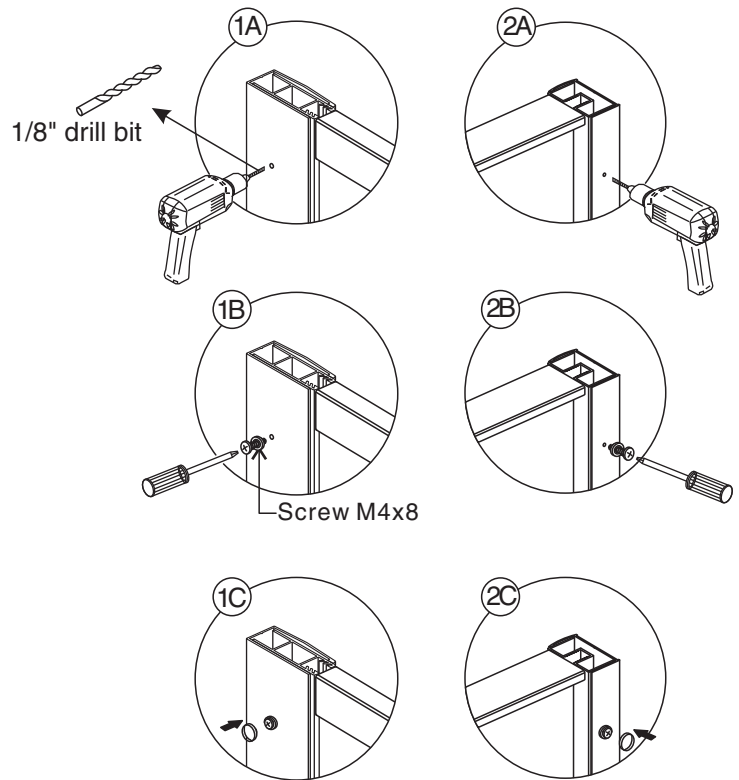
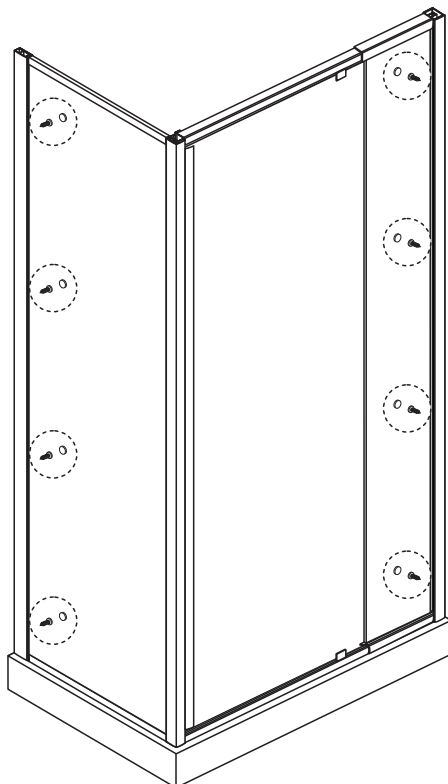


Note: Ensure that the wall profiles are plumb. Adjust the enclosure to be square and level. The wall posts and profile should be adjusted to square the doors and ensure the door opens smoothly.



4

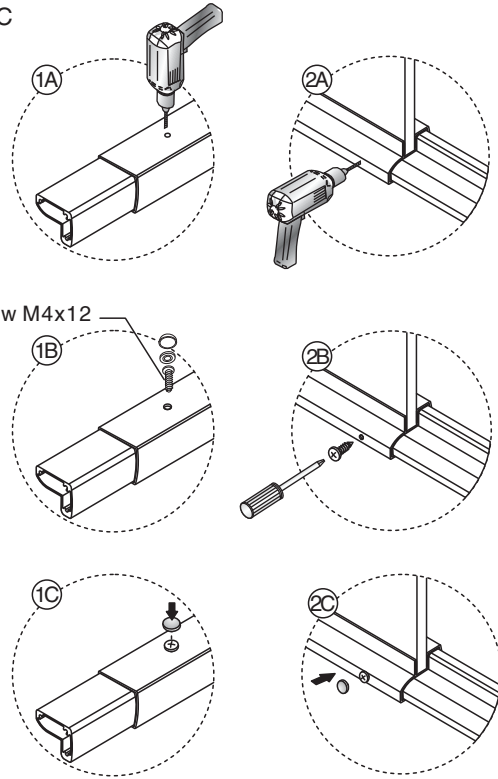
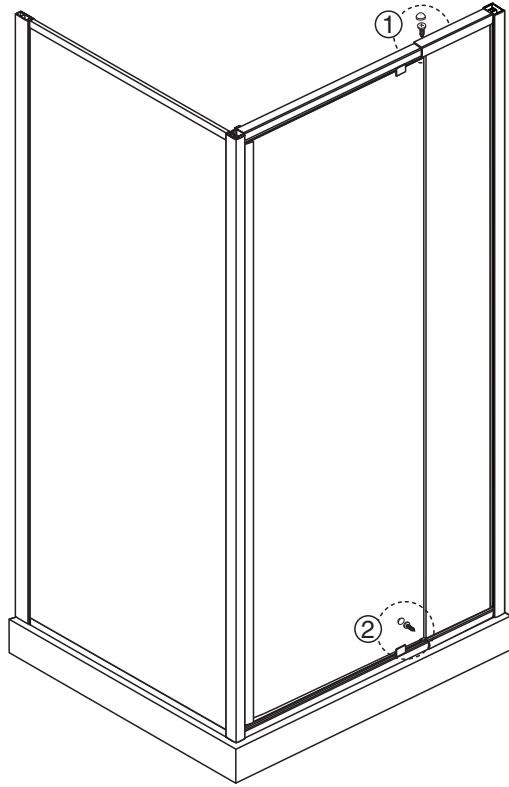
1. Drill holes in the Fixed Panel using a 1/8" drill bit and the holes in the wall post as location guides. Secure the Fixed Panel to the wall post using the M4 x 8 Screws and Washers. Place Screw Cover Caps over the screw heads.
2. Confirm that the Door Panel has not shifted and drill holes in the Door Panel using a 1/8" drill bit and the holes in the wall post as location guides. Secure the Door Panel to the wall post using the M4 x 8 Screws and Washers. Place Screw Cover Caps over the screw heads.



View from inside

5

1. Drill a hole in the top of the Door Panel as shown in 1A. Secure the telescoping tube to the top of the Door Panel using the M4 x 12 Screws and Washers as shown in 2B. Place Screw Cover Caps over the screw heads.
2. Repeat for the bottom of the door panel as shown in 2A - 2C



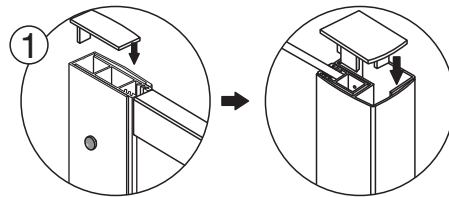
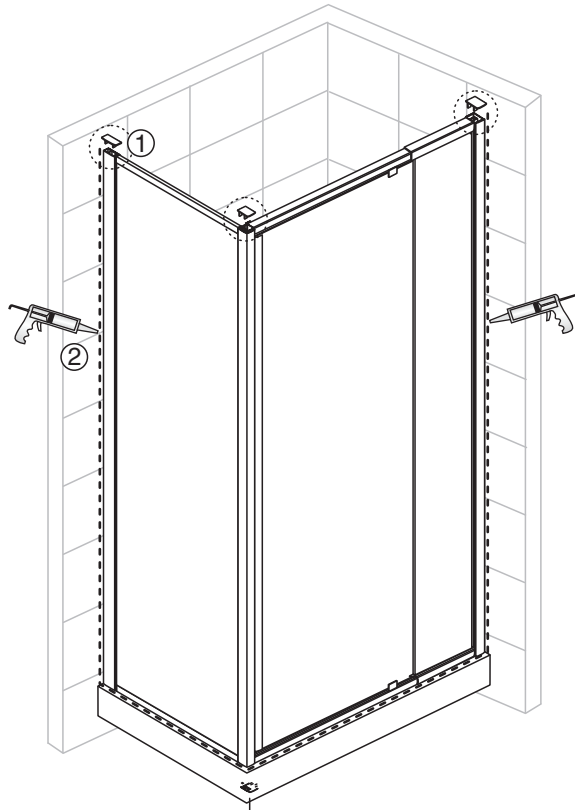
Screw M4x12

View from inside

6

1. Install the Wall Jamb and Corner Post Caps [11] in place.
2. Apply silicone as shown.

Note: Allow 24 hours for the silicone to dry before use.



View from inside



Allow 24 hours for silicone to dry before use.

MAINTENANCE:

Two primary materials are used to manufacture your new American Standard shower enclosure: tempered glass and anodized aluminum. To assure a long lasting finish on the enclosure, wipe it down with a towel after each use.

For occasional, more concentrated cleaning efforts Lysol Non-Abrasive Bathroom Cleaner works extremely well. Be sure that any over spray falling on the aluminum frame is rinsed thoroughly and dried. Many over-the-counter cleaners, if applied to the aluminum and left on, will harm the metal finish and cause permanent damage even though their directions indicate safe use on shower doors. Never use a scouring agent to clean the aluminum.

AS AMERICA, INC. LIMITED LIFETIME WARRANTY FOR SHOWER DOORS

AS America, Inc. ("American Standard") warrants to the original consumer purchaser that it will, at its sole option, repair or replace this product or any part of this product, if it confirms that the product is defective in materials or workmanship under normal use and maintenance for the lifetime of this product.

This warranty does not apply to commercial installations. Commercial installations shall have a limited warranty of 3 year(s).

This limited warranty DOES NOT COVER the following:

1. Defects or damage arising from shipping, installation, alterations, accidents, abuse, misuse, lack of proper maintenance and use of other than genuine American Standard replacement parts, in all cases whether caused by a plumbing contractor, service company, the owner or any other person.
2. Deterioration through normal wear and tear.
3. HARD WATER DAMAGE, OR DAMAGES RESULTING FROM ABUSE OR MISUSE OR FROM FAILURE TO INSTALL OR MAINTAIN THIS PLUMBING PRODUCT IN ACCORDANCE WITH THE WRITTEN INSTRUCTIONS FURNISHED BY AS AMERICA, INC.
4. USE OF CLEANING PRODUCTS CONTAINING CALCIUM HYPO CHLORITE (CHLORINE), SCOURING POWDERS OR PADS SHALL NOT BE COVERED.
5. THE USE OF SCENTED CANDLES IN CLOSE PROXIMITY WITH THIS PRODUCT CAN RESULT IN PERMANENT STAINING OF THE FINISH.
6. Expense of normal maintenance.
7. All costs of removal, transportation, labor, reinstallation or other costs including postage and/or shipping costs to obtain warranty service shall be paid by the consumer.
8. ANY LIABILITY FOR CONSEQUENTIAL OR INCIDENTAL DAMAGES, ALL OF WHICH ARE HEREBY EXPRESSLY DISCLAIMED. ANY IMPLIED WARRANTIES, INCLUDING THOSE OF MERCHANTABILITY OR FITNESS FOR PURPOSE INTENDED ARE SPECIFICALLY EXCLUDED. (Some jurisdictions do not allow limitations on how long an implied warranty lasts, or the exclusion or limitation of incidental or consequential damages, so these limitations and exclusions may not apply to you.)
9. Responsibility for compliance with local code requirements ARE EXCLUDED FROM THIS WARRANTY. (Since local code requirements vary greatly distributors, dealers, installation contractors and users of plumbing products should determine whether there are any code restrictions on the installation or use of a specific product.)

This limited warranty gives you specific legal rights. You may have other statutory rights that vary from state to state or from province to province, in which case this limited warranty does not affect such statutory rights.

For service under this warranty, it is suggested that a claim be made through the contractor or dealer from or through whom the product was purchased, or that a service request (including a description of the product model and of the defect) be sent to the following with proof of purchase or original receipt:

In the United States:

American Standard Brands
P.O. Box 6820
Piscataway, New Jersey 08855
Attention: Director of Consumer Affairs

For residents of the United States, warranty information may also be obtained by calling the following toll free number: (800) 442-1902
www.americanstandard.com

In Canada:

AS Canada ULC
5900 Avebury Rd.
Mississauga, Ontario
Canada L5R 3M3

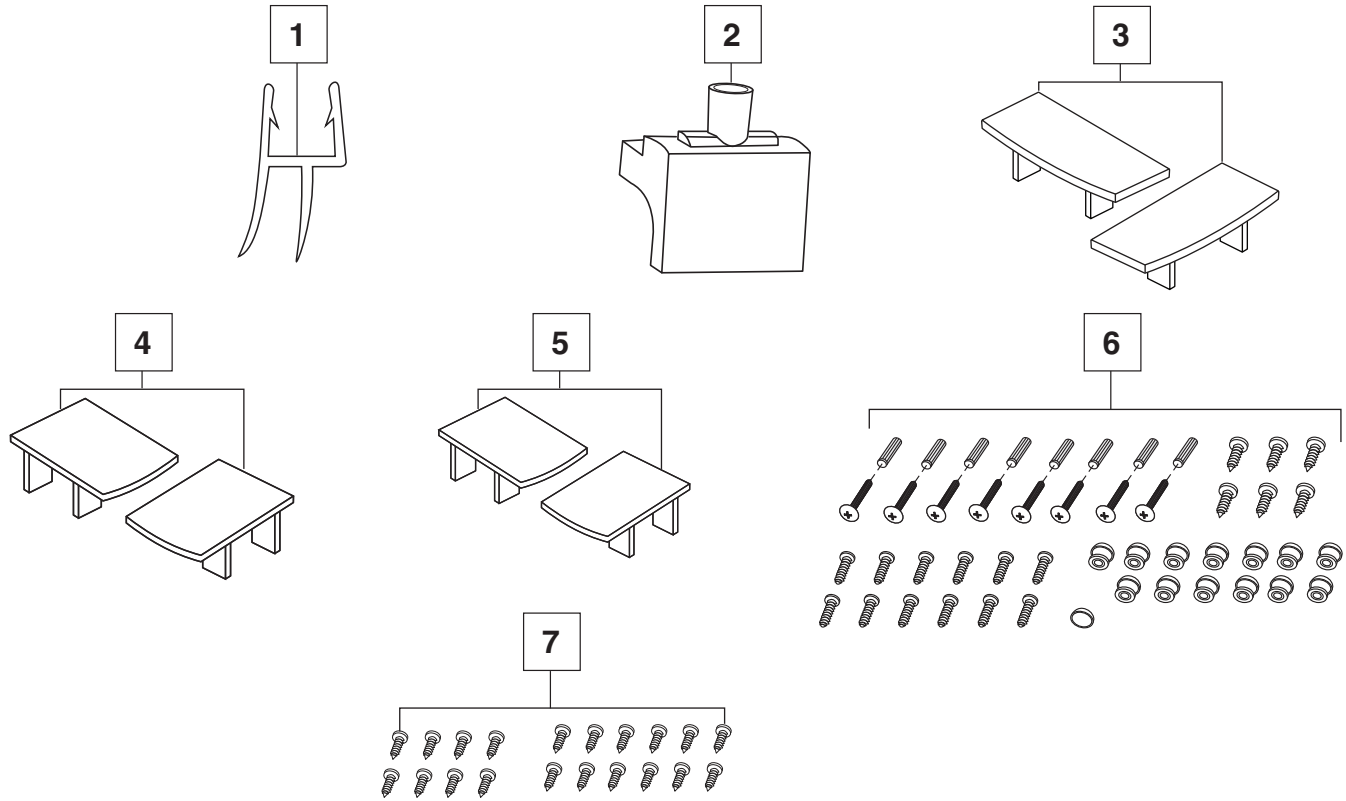
Toll Free: (800) 387-0369
www.americanstandard.ca

In Mexico:

American Standard B&K Mexico
S. de R.L. de C.V.
Via Morelos #330
Col. Santa Clara

Ecatepec 55540 Edo. Mexico
Toll Free: 01-800-839-1200
www.americanstandard.com.mx

AXIS 72" x 32"
NEOANGLE SHOWER DOOR
MODEL NUMBER:
AM3232S1400 SERIES



NO.	DESCRIPTION	PART #	FINISH	QTY/UNIT
1	Door Bottom Gasket 494 mm, 143 mm — 1 for each	710374-101.0070A	N/A	1 Set
2	Pivot with Screw	710375-101.2130A	Chrome	2 Piece
3	Wall Jamb Cap — 1 Left, 1 Right	710376-101.2130A	Chrome	1 Set
4	Wall Jamb Cap — 1 Left, 1 Right	710377-101.2130A	Chrome	1 Set
5	Corner Post Cap — 1 Left, 1 Right	710378-101.2130A	Chrome	1 Set
6	8X Wall Plug, 8X Screw 4x35, 6X Screw 4x12, 12X Screw 4x8, 13X Screw Cap, 1X Clear Screw Cap	710379-101.2130A	Chrome	1 Set
7	12X Screw 4x25, 8X Screw 4x35	710380-101.0070A	N/A	1 Set