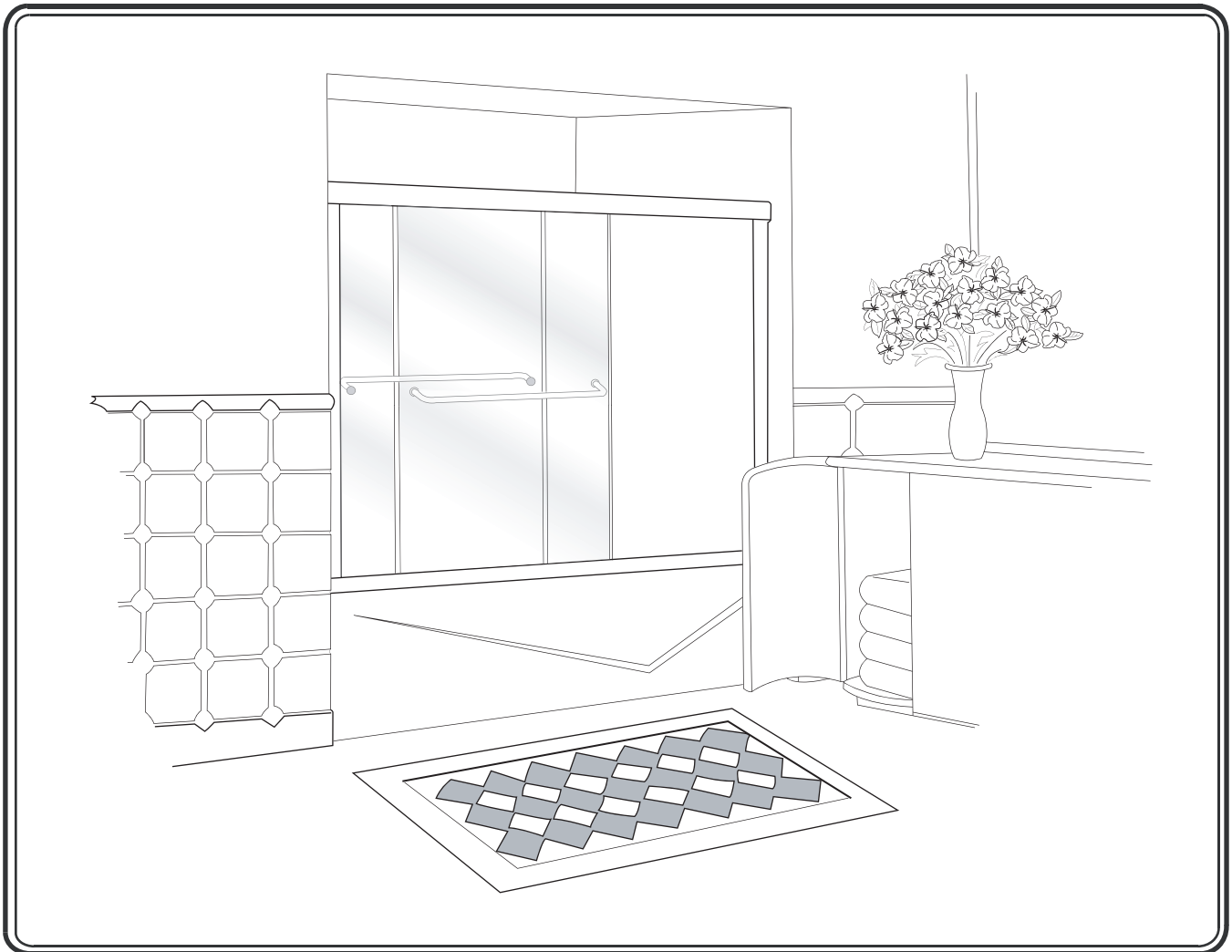




INSTALLATION INSTRUCTIONS

UNIT No. 2850/3850 CELESTA 3/8" FRAMELESS SLIDING ENCLOSURE



INSTALLATION NOTES: Unpack your unit carefully and inspect for freight damage. Lay out and identify all parts using the instruction sheet as a reference. Before discarding the carton, check to see that no small hardware parts have fallen to the bottom of the box. If any parts are damaged or missing, refer to the descriptions noted in the instructions when contacting your dealer for replacements.

Handle the glass panel(s) carefully and protect the edges.

Please wear safety glasses whenever drilling or cutting. When drilling holes in ceramic tile or marble, use a center punch and hammer to carefully break the surface glaze so the drill bit can start without skidding.

To install your BASCO Shower Door you will need the following: tape measure, level(s), #2 Phillips screwdriver, drill, 1/8" & 3/16" High Speed Steel drill bits, hacksaw, pencil, sharp knife or razor blade and caulking (clear, mildew resistant silicone recommended). Optional tools include a miter box for cutting metal parts, file, center punch and masking tape. An additional 3/16" Masonry drill bit is recommended for tiled applications.

The doors are best installed with two people.

NOTE: Tempered glass cannot be cut.

Although safety tempered glass is very resistant to breakage, the glass can still break if unequal pressure is placed on it during installation. Use caution! In addition, the sharp corners of the panel can damage tile and floor surfaces, so its best to handle the glass panels carefully and protect the edges.

MAINTENANCE: Two primary materials are used to manufacture your new BASCO Shower Enclosure: tempered glass and anodized aluminum. To assure a long lasting finish on the enclosure, wipe it down with a towel after each use. Never use a scouring pad/agent to clean the aluminum.

For occasional, more concentrated cleaning efforts, we recommend using **LYSOL™** Non-Abrasive Bathroom Cleaner works extremely well. Be sure that any over spray falling on the aluminum frame is rinsed thoroughly and dried. Many over-the-counter cleaners, if applied to aluminum and left on, will harm the finish and cause permanent damage, even though their directions indicate safe use on shower doors. For more care and cleaning information, please visit our website;

www.BASCOSHOWERDOOR.com

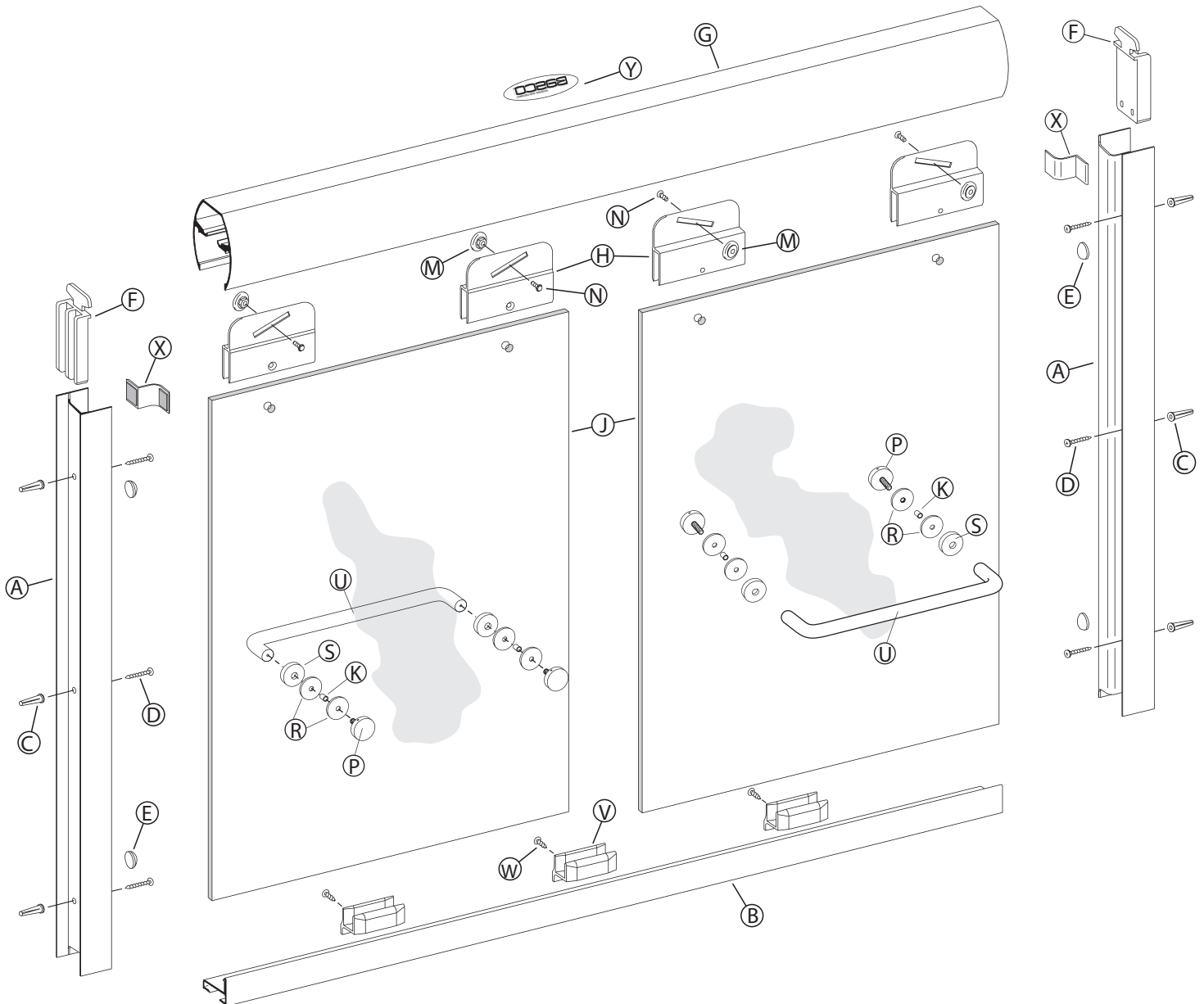
For glass treated with AquaGlide™, read the following instructions:

After each use of your shower, use a small plastic bowl, pitcher or a hand held shower head to spray the shower doors with clean cold water. Pour or spray the cold water along the top edge of the glass. The majority of the shower's soapy residual water will drain off. Use a small hand towel to pat dry the remaining droplets or use a squeegee to clear the droplets.

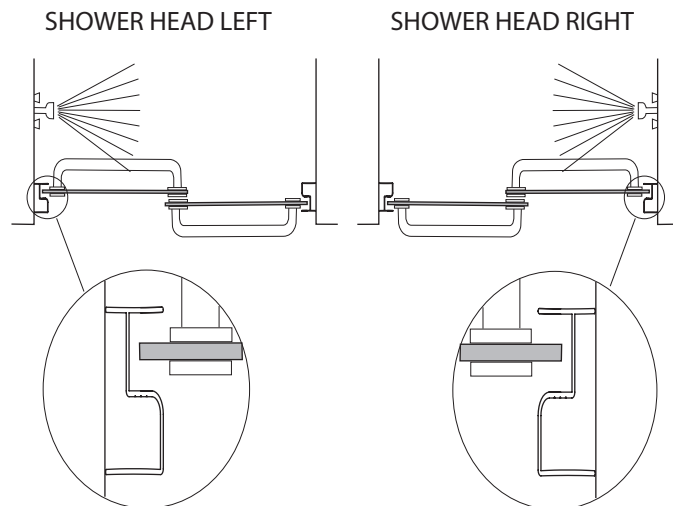
Once a month, use a nylon sponge to go over the wet glass, rubbing in a circular motion. You should feel "sticky" places going back to slick again. Then pour water along the top edge of the glass, as you do after each shower use.

2850/3850 Parts List

- | | |
|--------------------------------------|----------------------------------|
| A. Wall Jamb (2) | M. Heavy Glass Roller (4) |
| B. Bottom Track (w/ silencer) (1) | N. #8-32 x 3/8" Roller Screw (4) |
| C. Plastic Wall Anchor (6) | P. Back Plate (4) |
| D. #8 x 1 1/2" Truss Head Screw (6) | R. Clear Plastic Disc (8) |
| E. Clear Jamb Bumper (6) | S. Front Plate |
| F. Nylon T-Lock (2) | U. Towel Bar (2) |
| G. Header (1) | V. Bottom Guide (3) |
| H. Hanger Bracket (4) (pre-attached) | W. #6 x 3/8" Pan Head Screw (3) |
| J. Glass Door Panel (2) | X. Nylon Jamb Cover (2) |
| K. Glass Hole Sleeve (4) | Y. Basco Label (1) |

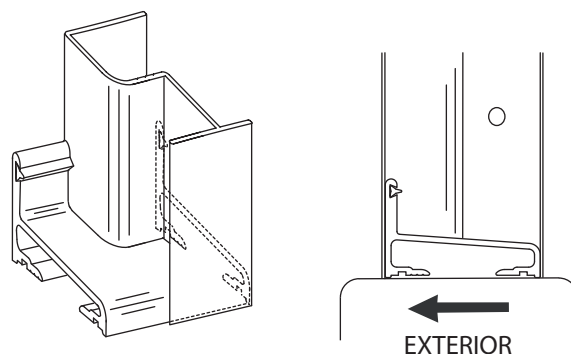


1 The 2850/3850 Celesta sliding enclosure is supplied with pocketed wall jambs [A]. The jambs are notched on both ends to fit over the bottom track. It is important to determine the proper orientation of the unit before marking and drilling the walls. For maximum waterproofing, position the “open” pocket of the wall jamb to the interior for the shower head wall. This will force the interior panel to be on the shower head side. (see illustration)



2 Measure the wall-to-wall opening along the center of the threshold at the bottom. Cut the bottom track (w/ vinyl silencer) [B] 1/16” short of that dimension.

Position the bottom track in the center of the threshold with the raised edge to the exterior. It may be necessary to file a radius on the ends of the track and wall jambs to match the corners of the opening.



3 Place one wall jamb over the track and against the wall. Using a level, plumb the wall jamb and mark the hole locations on the wall with a pencil. Repeat this step for the other wall jamb. (Be sure that the curb does not move) Mark along both inside and outside of the track. Remove all parts and drill the holes.

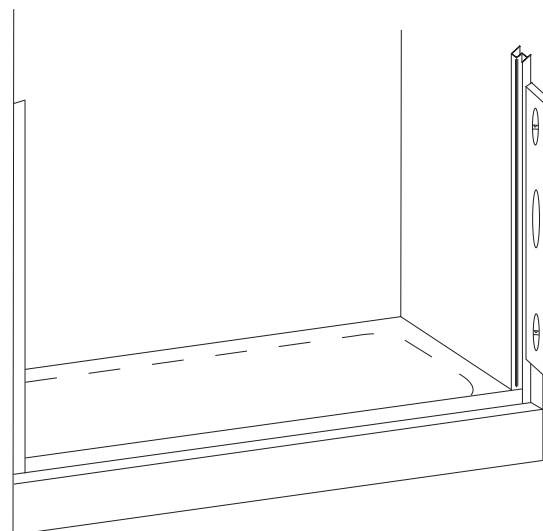
Tile, marble or solid surface walls:

Drill 3/16” diameter holes into the walls and insert the plastic wall anchors [C].

Fiberglass or acrylic units can be done two different ways:

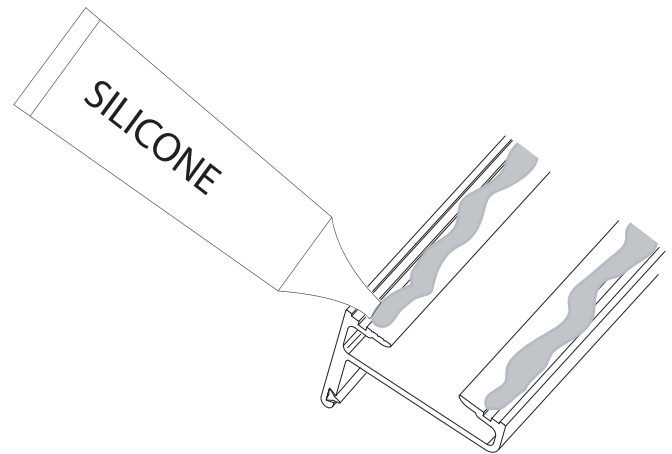
If the walls are not reinforced, drill 3/16” diameter holes and insert the plastic wall anchors. (Toggle bolts may be used instead but they are not provided).

If the walls are reinforced, only drill 1/8” diameter holes.



4 Before replacing the track, force a slight downward bow into it. This will ensure that the track fits tight to the threshold in the middle.

Run a bead of silicone on both flat surfaces on the bottom of the track. Then replace the track onto the threshold using the pencil marks from step #3 as a guide. Be sure the raised side is on the **exterior**.

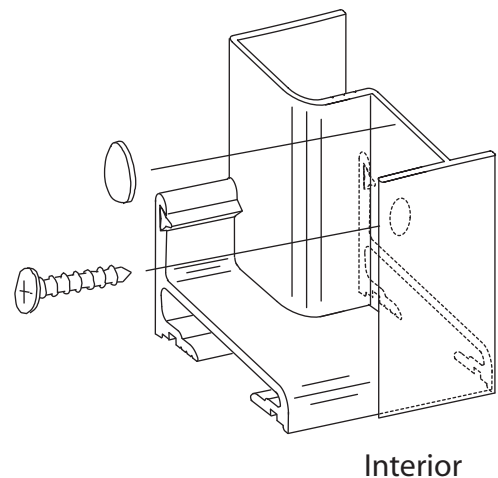


5 Replace one wall jamb and attach it to the wall with the #8 x 1 1/2" truss head screws [D]. Check the wall jamb for plumb and tighten the screws.

Repeat for the other wall jamb.

NOTE: Careful not to overtighten.

Peel the backing from four of the clear jamb bumpers [E] and attach them inside the pockets of the wall jambs. Place the bumpers approximately 1" above the bottom screw and 1" below the top screw.



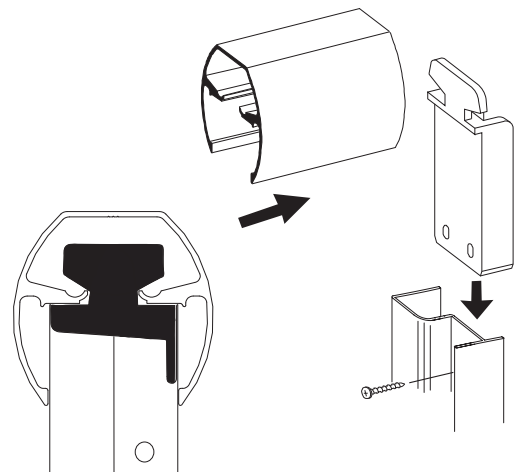
6 This enclosure is equipped with molded nylon T-Locks [F] for safety. When properly installed, the header is locked to the wall jambs and cannot be accidentally removed.

Measure the wall-to-wall opening at the top of the wall jambs. Cut the header 1/16" short of that dimension. Check for fit.

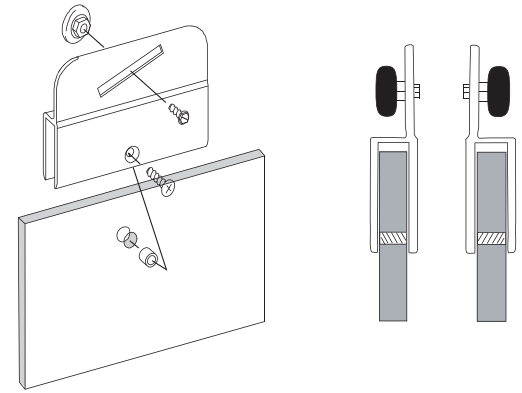
TIP: Use a miter box to ensure a straight cut

Slide one of the T-Locks into one end of the header. Set the header down onto the wall jamb with the T-Lock fitting into the space behind the wall jamb. Remove the top truss head screw. Pull the header and T-Lock down until the truss head screw can be replaced.

Repeat for the other T-Lock.



7 Attach the four black heavy-duty roller bearings [M] to the door hanger brackets [H] as shown using the #8-32 x 3/8" hex head screws [N]. The rollers should be approximately in the center of the slots of the bracket fins.

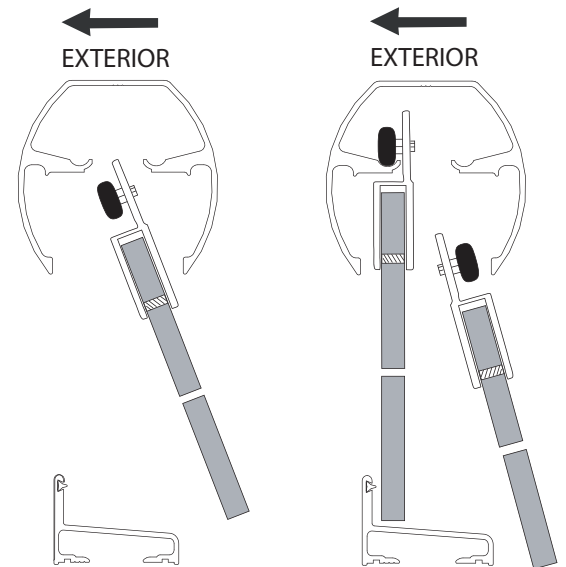


8 Place one panel [J] on the inside of the shower/tub with the rollers facing the back wall and the textured side of the panel facing the outside (if applicable). Set it on a drop cloth or piece of cardboard to protect the glass and the shower/tub surface.

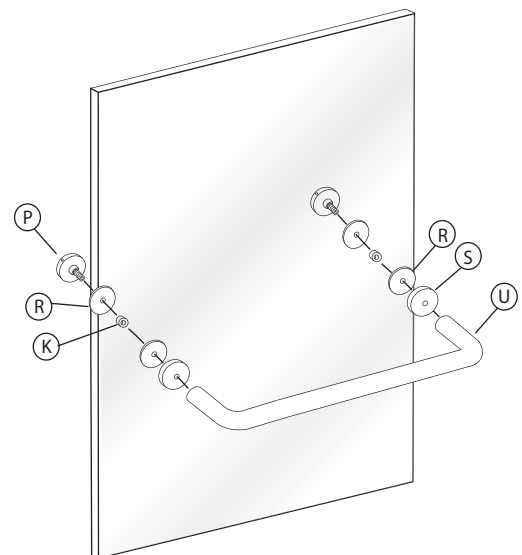
From the outside of the shower/tub, grab the other panel with the rollers (and textured side of glass) facing you and lift the panel. Lower it into the shower/tub and then lift it into the header. Be sure the bracket fins and rollers are above the track groove. Carefully lower the panel until the rollers are seated into the groove.

Slide the panel to one side and step inside the shower/tub and step inside. Repeat the previous steps for the inside panel.

Check for alignment along the bottom and sides of each panel and adjust the rollers as necessary.



9 Slide one of the clear plastic discs [R], then a glass hole sleeve [K] onto the threaded back plate [P]. Push the assembly through the hole in the glass panel so that the glass hole sleeve is flush with the other side of the panel. Slide the other clear plastic disc onto the protruding threaded part of the back plate, and then slide on the front plate [S]. Repeat this for the second hole on the panel. While holding the towel bar [U] in place, and screw the back plates into the towel bar. Use the provided Allen wrench and the small hole drilled into the side of the back plate to fully tighten the towel bars.

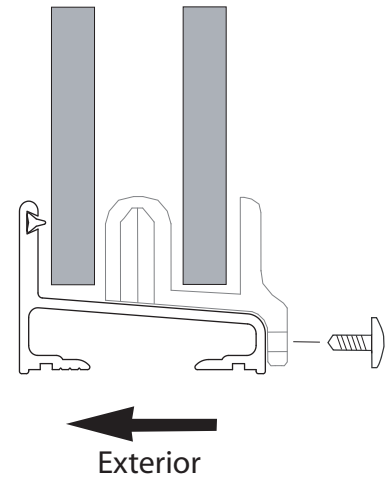


**NOTE: Outer panel has towel bar facing Out.
Inner panel has towel bar facing In.
Refer to the diagram in step #1.**

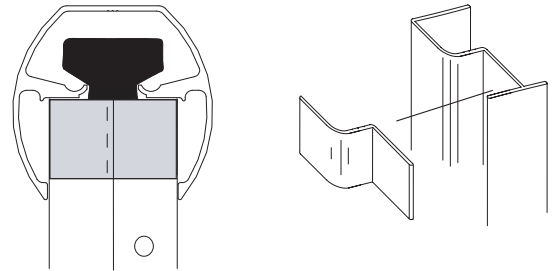
10 Place one of the clear bottom guides [V] in the middle of the tub track as shown. Using the hole in the back of the bottom guide, drill a 1/8" hole into the inside of the tub track.

Attach the bottom guide with a #6 x 3/8" pan head screw [W].

OPTION: There are two additional bottom guides included in the hardware. These can be installed for additional strength and stability. Follow the previous instructions to do so.

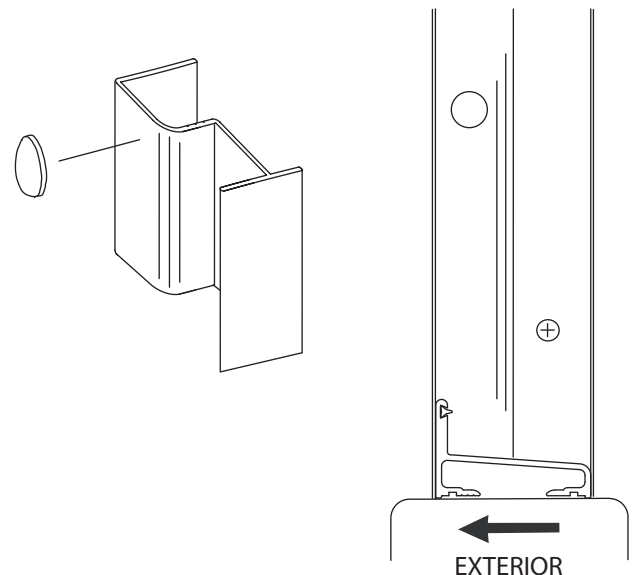


11 Remove the protective backing from the two squares of tape on the back side of the nylon jamb covers [X]. Place the jamb covers against the wall jambs over the notches of the wall jambs at the top, inside of the header. Press in place.



12 Peel the backing from two of the clear jamb bumpers [E] and place them against the wall jambs on the outside of the pockets, one on each wall jamb. Press them into place approximately in the vertical center of each wall jamb.

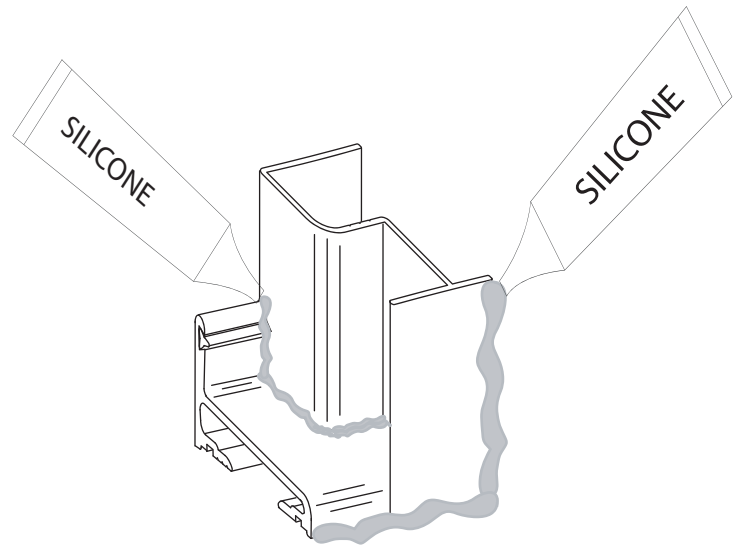
NOTE: The placement of these final two clear jamb bumpers may vary depending on any out-of-plumb conditions that may exist. Adjust accordingly.



13 Neatly silicone each end of the tub track where it fits into the wall jambs as well as the seam between the wall and the wall jamb and the curb and threshold on the inside of the shower.

NOTE: Silicone on the exterior seam is optional.

NOTE: DO NOT USE the shower until the silicone is completely cured. Check the tube of silicone for the manufacturer recommended cure time. (typically 24 - 48 hours)



14 Remove the paper backing from the BASCO decal [Y] and apply to the interior side of the header.

