

Rolling Ladder Hardware Kits

LIFETIME WARRANTY



MADE IN USA

Patent Pending
on Rolling Hook Top Hardware



2 - Top Roller Guides

- 4 - 1/4" x 20 Thread 35 mm
- 4 - Acorn nut 1/4" x 20
- 4 - Flat head # 10 x 3/4"



2 - Top Rolling Hook Guides

- 4 - 1/4" x 20 Thread 35 mm
- 4 - Acorn nut 1/4" x 20
- 4 - Flat head # 10 x 3/4"



Swivel Upper guide

Vertical Brackets



Roller

Rolling Hook

Horizontal Brackets



2 - Bottom Rollers

- 2 - 1/4" x 20 Thread 35 mm
- 2 - Acorn nut 1/4" x 20
- 2 - Pan head #14 x 3/4"



Quiet Glide Rolling Ladders

Here is an easy way to order your Hardware Kits

1 Determine what type of *Ladder Hardware Kit* you will need.

Hardware Kit includes:

- Top Roller Guides (2)
- Bottom Rollers (2)
- Rung support kits (7) enough for 8" ladder
- Fasteners

In stock ready to ship



Black



Satin Nickel



Hammered
Antique Brass
Pattern may vary



Oil Rubbed
Bronze



1A Ladder Hardware Kits with standard wheel

Part#	Description	Image	Finish
QG.200.08	Rolling		Black
QG.200.03*	Rolling		Hammered Antique Brass
QG.200.07	Rolling		Oil Rubbed Bronze
QG.200.02	Rolling		Satin Nickel
QG.500.08	Rolling Hook **		Black
QG.500.03*	Rolling Hook **		Hammered Antique Brass
QG.500.07	Rolling Hook **		Oil Rubbed Bronze
QG.500.02	Rolling Hook **		Satin Nickel
QG.700.08	Swivel **		Black
QG.700.03*	Swivel **		Hammered Antique Brass
QG.700.07	Swivel **		Oil Rubbed Bronze
QG.700.02	Swivel **		Satin Nickel

*Finish Pattern may vary

**Patent Pending



STANDARD
WHEEL

1B Ladder Hardware Kits with lower brake wheel

Part#	Description	Image	Finish
QG.210.08	Rolling		Black
QG.210.03*	Rolling		Hammered Antique Brass
QG.210.07	Rolling		Oil Rubbed Bronze
QG.210.02	Rolling		Satin Nickel
QG.510.08	Rolling Hook **		Black
QG.510.03*	Rolling Hook **		Hammered Antique Brass
QG.510.07	Rolling Hook **		Oil Rubbed Bronze
QG.510.02	Rolling Hook **		Satin Nickel
QG.710.08	Swivel **		Black
QG.710.03*	Swivel **		Hammered Antique Brass
QG.710.07	Swivel **		Oil Rubbed Bronze
QG.710.02	Swivel **		Satin Nickel

*Finish Pattern may vary

**Patent Pending



BRAKE
WHEEL

Brake tension can be adjusted with allen wrench.

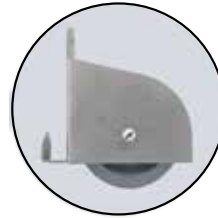
Spring loaded wheel locks when weight is applied on the ladder, wheel unlocks when weight is taken off.



1C Ladder Hardware Kits with contemporary wheel

In stock
ready to ship

Part#	Description	Finish
QG.220.08	Rolling	Black
QG.220.03*	Rolling	Hammered Antique Brass
QG.220.07	Rolling	Oil Rubbed Bronze
QG.220.02	Rolling	Satin Nickel
QG.520.08	Rolling Hook **	Black
QG.520.03*	Rolling Hook **	Hammered Antique Brass
QG.520.07	Rolling Hook **	Oil Rubbed Bronze
QG.520.02	Rolling Hook **	Satin Nickel
QG.720.08	Swivel**	Black
QG.720.03*	Swivel**	Hammered Antique Brass
QG.720.07	Swivel**	Oil Rubbed Bronze
QG.720.02	Swivel**	Satin Nickel



CONTEMPORARY WHEEL

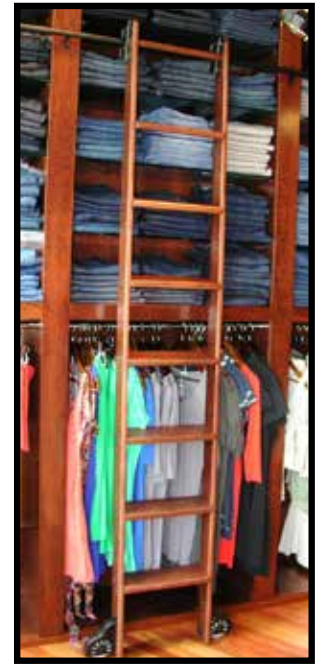


Photo Provided by:
VisionQuest Builders Inc.
Alexandria, VA

2 Select Rail Components

2A Determine how many feet (use splice kits to join rails, 2C)



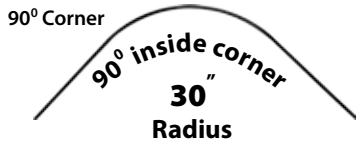
Rail & Bracket

Rail - 1" diameter solid aluminum rail

Part#	8ft Length
QG.4008.02	Satin Nickel
QG.4008.03*	Hammered Ant Brass
QG.4008.07	Oil Rubbed Bronze
QG.4008.08	Black

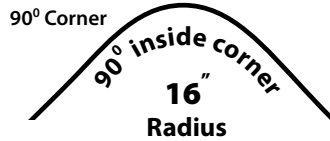
Part#	6ft Length
QG.4006.02	Satin Nickel
QG.4006.03	Hammered Ant Brass
QG.4006.07	Oil Rubbed Bronze
QG.4006.08	Black

Part#	4ft Length
QG.4004.02	Satin Nickel
QG.4004.03*	Hammered Ant Brass
QG.4004.07	Oil Rubbed Bronze
QG.4004.08	Black



90° Inside Corner - 30" Radius - 5' length

Part#	Color
QG.40CRV.08	Black
QG.40CRV.03	Hammered Ant Brass
QG.40CRV.07	Oil Rubbed Bronze
QG.40CRV.02	Satin Nickel



90° Inside Corner - 16" Radius - 5' length

Part#	Color
QG.40CRV16.08	Black
QG.40CRV16.03	Hammered Ant Brass
QG.40CRV16.07	Oil Rubbed Bronze
QG.40CRV16.02	Satin Nickel



135° Inside Corner - 30" Radius - 5' length

Part#	Color
QG.40CRV135.08	Black
QG.40CRV135.03	Hammered Ant Brass
QG.40CRV135.07	Oil Rubbed Bronze
QG.40CRV135.02	Satin Nickel



Made in the U.S.A.

For curve rail applications only use swivel hardware for the ladder
Ladders must be lifted slightly off the floor when traveling around the curve, bottom wheels do not swivel

2B Select how many Vertical or Horizontal Brackets for your rail you will need

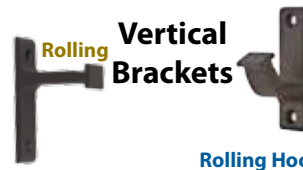
(choose correct bracket for Rolling, Rolling Hook application)

You will need 1 bracket for every 32" or 4 brackets for an 8ft rail

Vertical Rail Bracket Kit

Part#	Description	Finish
QG.201.08	Rolling bracket	Black
QG.201.03*	Rolling bracket	Hammered Antique Brass
QG.201.07	Rolling bracket	Oil Rubbed Bronze
QG.201.02	Rolling bracket	Satin Nickel
QG.301.08	Rolling Hook	Black
QG.301.03*	Rolling Hook	Hammered Antique Brass
QG.301.07	Rolling Hook	Oil Rubbed Bronze
QG.301.02	Rolling Hook	Satin Nickel

* Finish Pattern may vary



Horizontal Rail Bracket Kit

QG.202.08	Rolling bracket
QG.202.03*	Rolling bracket
QG.202.07	Rolling bracket
QG.202.02	Rolling bracket
QG.302.08	Rolling Hook
QG.302.03*	Rolling Hook
QG.302.07	Rolling Hook
QG.302.02	Rolling Hook

* Finish Pattern may vary



Rolling bracket

Black
Hammered Antique Brass
Oil Rubbed Bronze
Satin Nickel
Black
Hammered Antique Brass
Oil Rubbed Bronze
Satin Nickel

2C Select how many **Splice Kits** you will need
(How many rails will you be joining together?)

Part#	Description
QG.41	Splice Kit for joining two rails



2D Select how many **End Cap Kits** you will need

*2 End stops per kit

Part#	Description - End Cap Kit for Rails
QG.40.08	Black
QG.40.03*	Hammered Antique Brass
QG.40.07	Oil Rubbed Bronze
QG.40.02	Satin Nickel
QG.401.08	Black
QG.401.03*	Hammered Antique Brass
QG.401.07	Oil Rubbed Bronze
QG.401.02	Satin Nickel



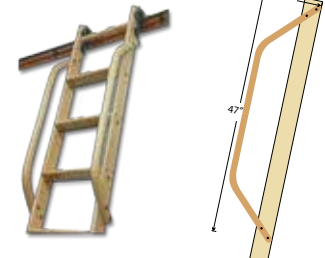
3C Steam Bent Solid Wood **Hand Rails**
sold in pairs

Species	Part#
Cherry	QG.6309.CH
Hickory	QG.6309.HC
Maple	QG.6309.MA
Red Oak	QG.6309.RO
Walnut	QG.6309.WA

Sanded to 120 grit with predrilled assembly holes
Specify black or nickel fasteners (included)

2E Tap to thread rails for end Caps

Part#	Description
QG.TAP1420	1/4" x 20 Tap for rail



3 Select the **wood ladder** and accessories

3A Ladder-in stock (includes top turned rung)

Species	Part# 8ft	Part# 9ft
Red Oak	QG.6008.RO	QG.6009.RO
Maple	QG.6008.MA	QG.6009.MA
Cherry	QG.6008.CH	QG.6009.CH
Walnut	QG.6008.WA	QG.6009.WA
	Part# 10ft	
Red Oak	QG.6010.RO	
Maple	QG.6010.MA	
Cherry	QG.6010.CH	
Walnut	QG.6010.WA	

Sanded to 120 grit, flat cut, pre-drilled holes for fasteners, sides dadoed for steps, ready to finish & assemble.

3D Additional **Step Supports**
for 9' and 10' ladders

* For ladders over 8' or if you build your own ladder.
For 16" wide ladders.

Part#	Description
QG.620.08	Extra Step Support- Black
QG.620.02	Extra Step Support- Satin Nickel



3E Top turned **Rungs** For 16" wide ladder
When building your own ladder.

Species	Part#
Red Oak	QG.610.RO
Maple	QG.610.MA
Cherry	QG.610.CH
Walnut	QG.610.WA



* Included with ladders above

3B Custom **Ladder**

Custom lengths and wood species available, 2-3 week lead time. Plus Shipping includes top turned rung and supports.

Ladders above 8' require additional rung supports.

Species	up to 8'	up to 9'	up to 10'	up to 11'	up to 12'	up to 13'	up to 14'
Alder							
Birch-White							
Cherry							
Hickory							
Maple							
Afr. Mahogany							
Oak-Red							
Oak-White Qrt Sawn							
Walnut							

Other species available, Call for pricing & lead time

3F Non - Skid **Step Tread Clear**

QG.61 Clear



GENERAL INSTALLATION/SPECIFICATION GUIDE



Please Note!!

Tools Required For Assembly

- 4mm & 5mm allen wrenches.
- #2 Phillips & #2 Square screw driver.
- 1/4" x 20 thread tap.
- 1/4" Drill bit

Step 1: Rail Installation

(A) Slide brackets into rail, recommended maximum spacing 32 inches apart. Pre-drill holes in wood if needed and screw brackets in place.



Aluminum Rail Rod



Horizontal Bracket
(Roller type)



Vertical Bracket
(Roller type)



Vertical Bracket
(Hook type)



End View

(B) Use the splice kit to connect rails together. (If applicable) Insert roll pin halfway into one of the rails. Slide the steel bar half-way into rail. Secure the splice kit to rail on both sides by tightening the set screws.



(C) Tap the end of the rail with a 1/4" x 20 tap (not supplied) to screw in the end stop finial (done before installation of rail). Install end cap with screw provided using a 4mm Allen wrench.

Note: Leave at least a **7 inch clearance** above the rail for the top guide hardware to operate properly, and allow the ladder to move against the wall for storage.



Step 2: Ladder Assembly (if applicable)

Assemble the steps onto the side rails with glue and screws. Glue and pin nail the top turned rung into place.

Step 3: Ladder Hardware Installation

(A) Install steps support rods under each step using 5mm allen

(B) Drill holes and install top guides to ladder centering the top dowel (top dowel recommended) of the ladder. The placement of the holes will allow a small adjustment of height of ladder, either up or down.



Install Top Turned Rungs

Use a forstner bit, drill 7/8" hole part way through for the turned rungs

Top Turned Rung

16-1/4" long x 1-1/4" Dia., 7/8" Dia. ends.
14-3/8" Inside Width Unfinished



(C) Line up bottom rollers vertical to the floor when ladder is in the climbing position Pre-drill holes and install bottom rollers.



Ladder in the
climbing position

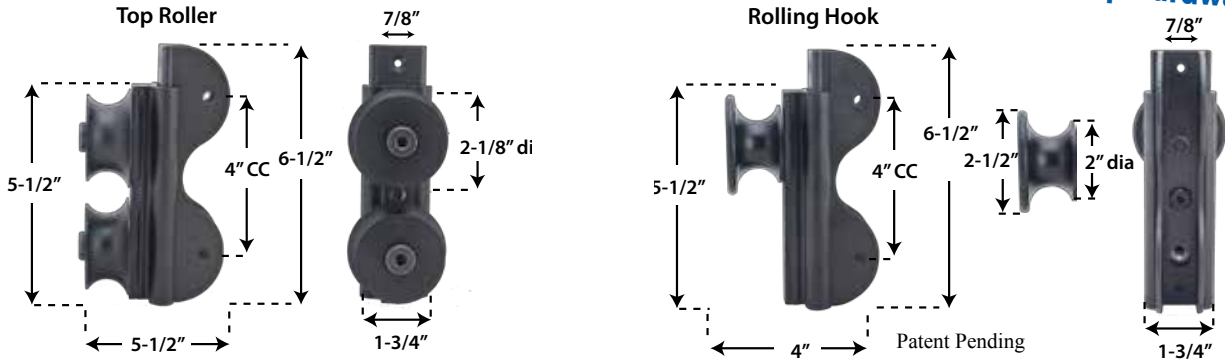


Ladder in the
stored position

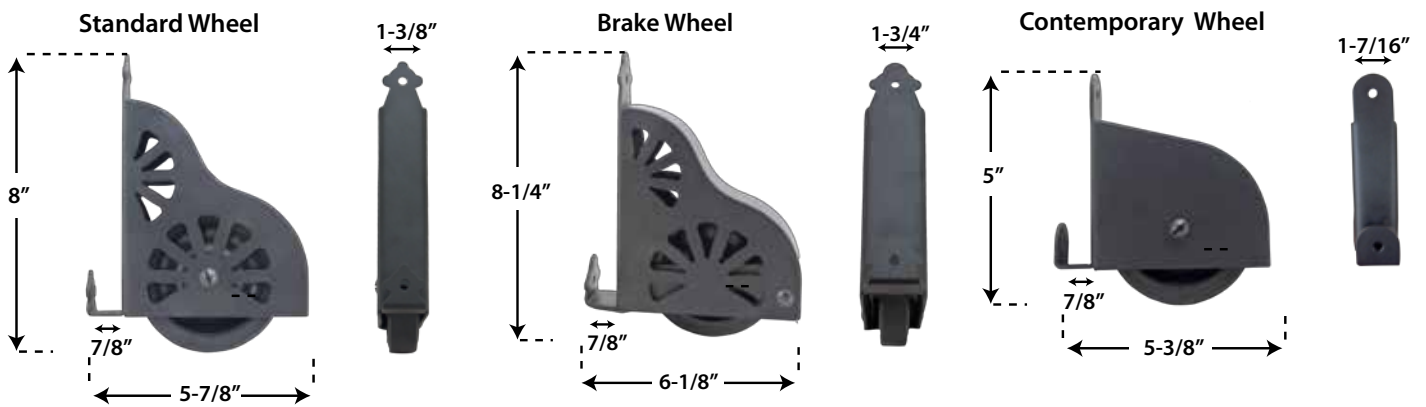
Note: Proper Pre-drilling of holes for the wood screws on the bottom of the ladder will prevent splitting of the ladder side rails

Top Ladder Hardware

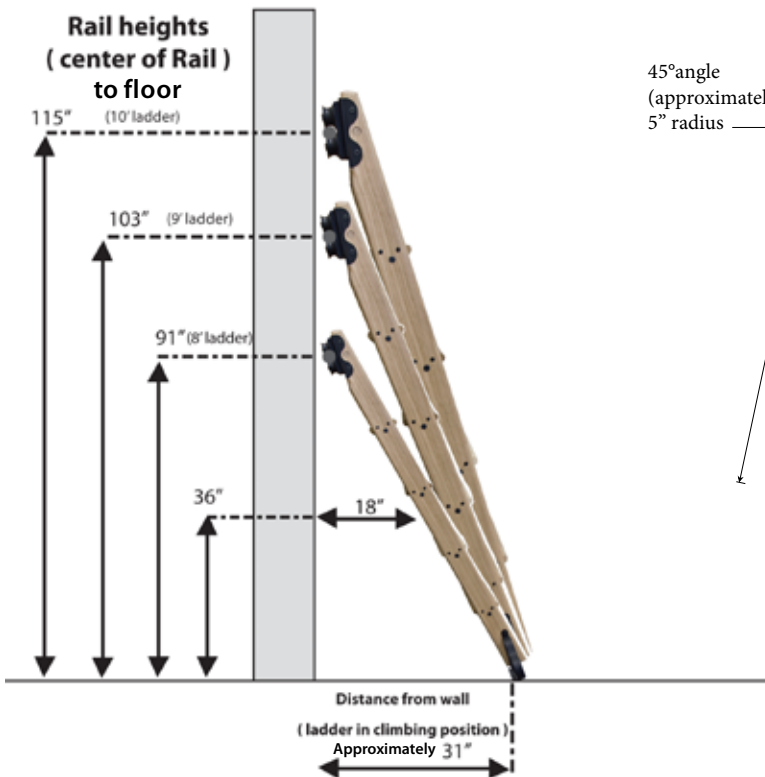
**Patent Pending -
on Rolling Hook Top Hardware**



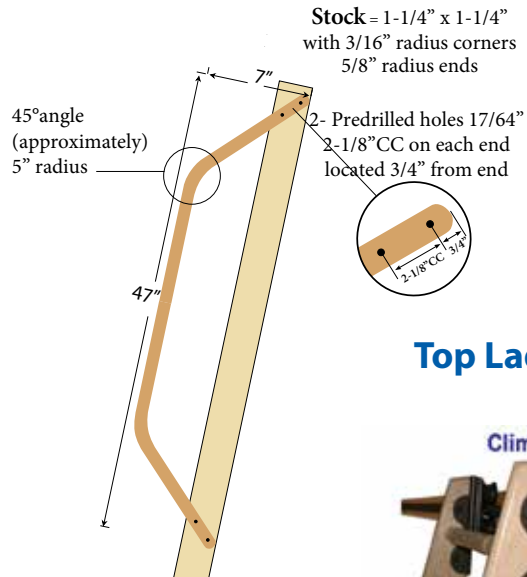
Bottom Ladder Hardware



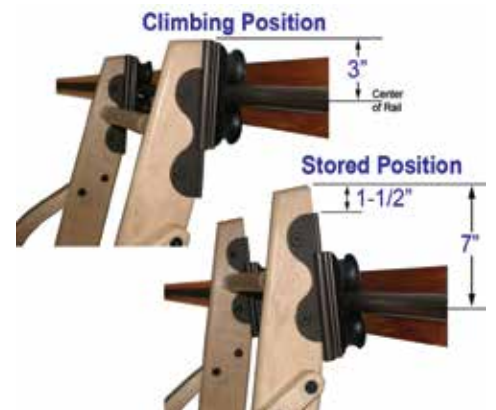
Rail Height and distance for 8', 9', 10' standard ladders



Hand Rail dimensions



Top Ladder Clearance

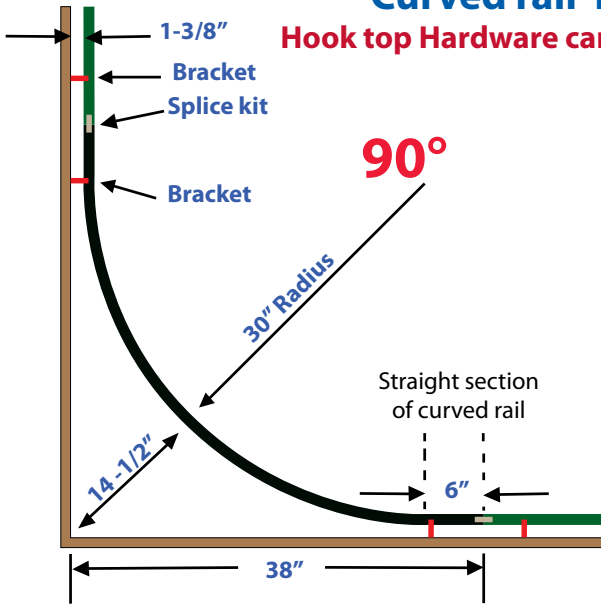


Curved rail radius dimensions

Hook top Hardware cannot be used with curved rails!

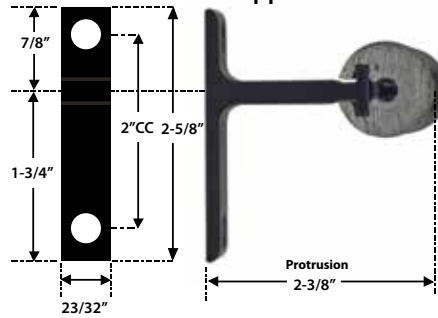


Rail Diameter = 1"



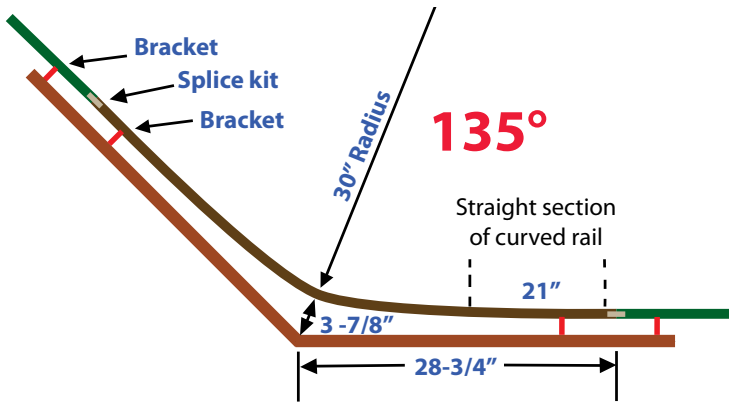
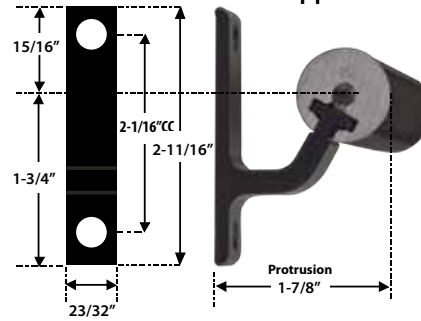
Rail Bracket - Vertical Roller type

Upper Roller Guide only

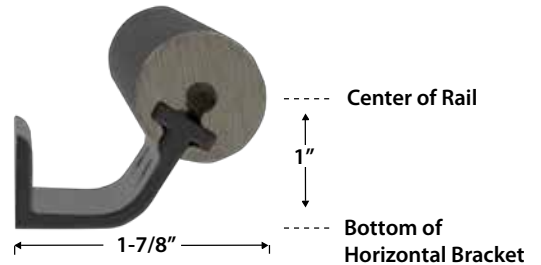
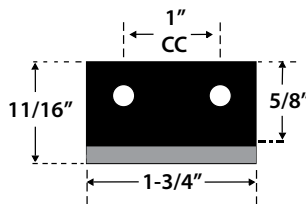
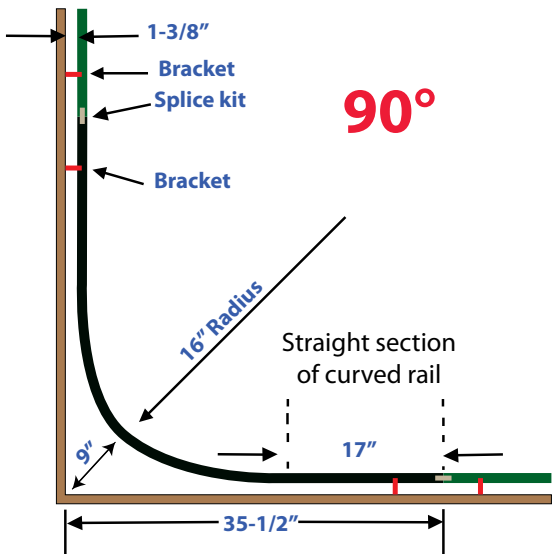


Rail Bracket - Vertical Hook or Rolling Hook type

Upper Hook Guide only

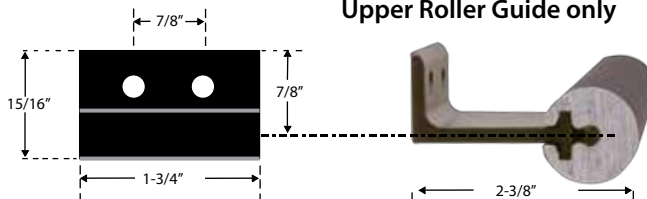


Rail Bracket - Horizontal Rolling Hook type



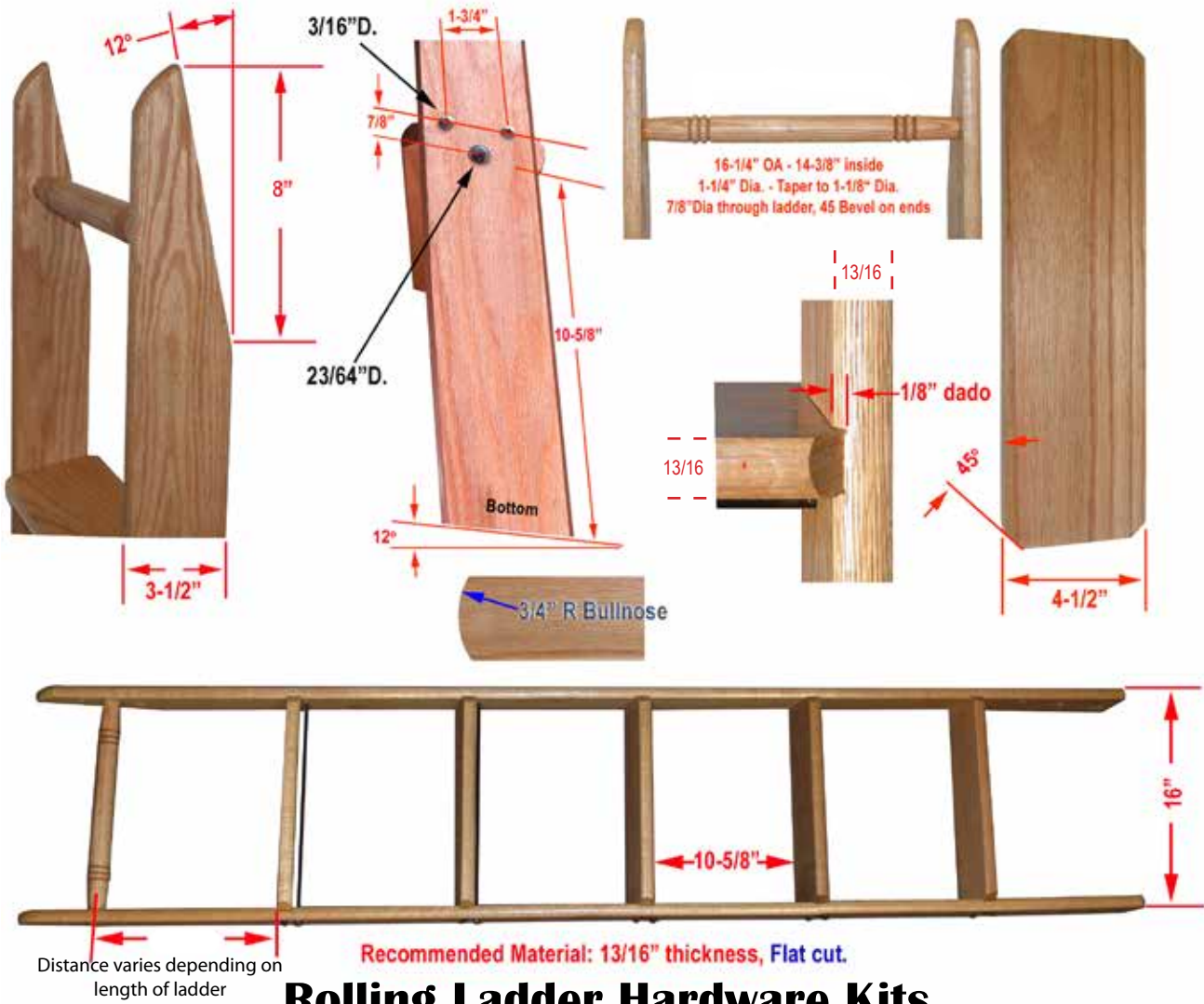
Rail Bracket Horizontal Roller type

Upper Roller Guide only



Make your own Ladder

To determine length of ladder: Measure from the center of rail to the floor, then *add five inches* to the measurement.



Rolling Ladder Hardware Kits

Patent Pending - Exclusive Patent on Rolling Hook Top Hardware



Rolling Hook upper guide



Roller upper guide

LIFETIME WARRANTY

