

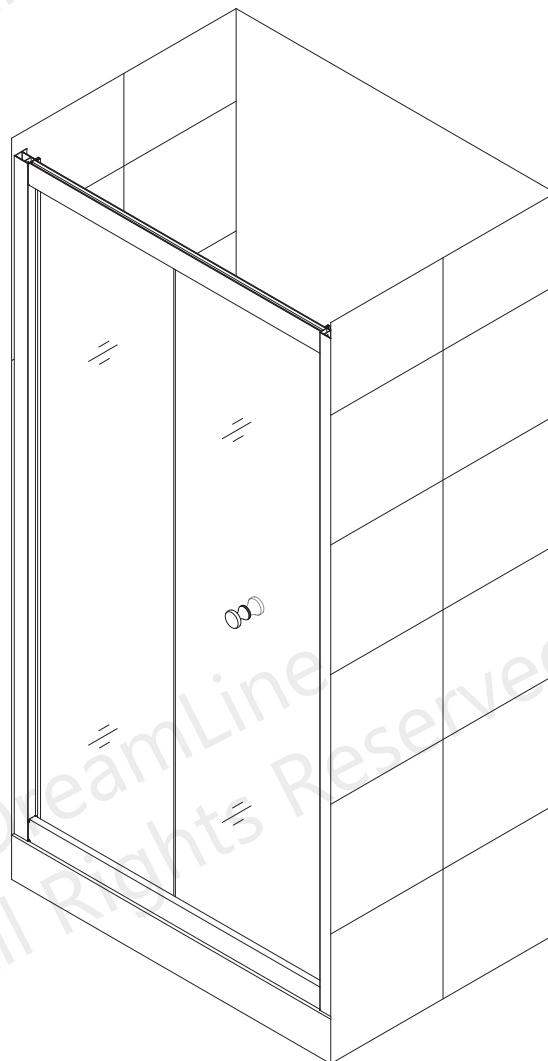


BUTTERFLY

SHOWER DOOR INSTALLATION INSTRUCTIONS

IMPORTANT

DreamLine® reserves the right to alter, modify or redesign products at any time without prior notice for the purpose of product improvement and customer experience. Please refer to the model's web page on **DreamLine.com** for the latest technical drawings, installation manuals, warranty information or additional product details.



MODEL #s

SHDR-4532726-01

SHDR-4536726-01

Finish

01- Chrome

Left-Hinge installation shown

PLEASE REVIEW THIS ENTIRE MANUAL PRIOR TO INSTALLATION



Questions?

Please Call **DreamLine Customer Support: 1-855-831-2126**
Hours of Operation M-F 8AM - 7PM EST and Saturday 9AM - 5PM EST

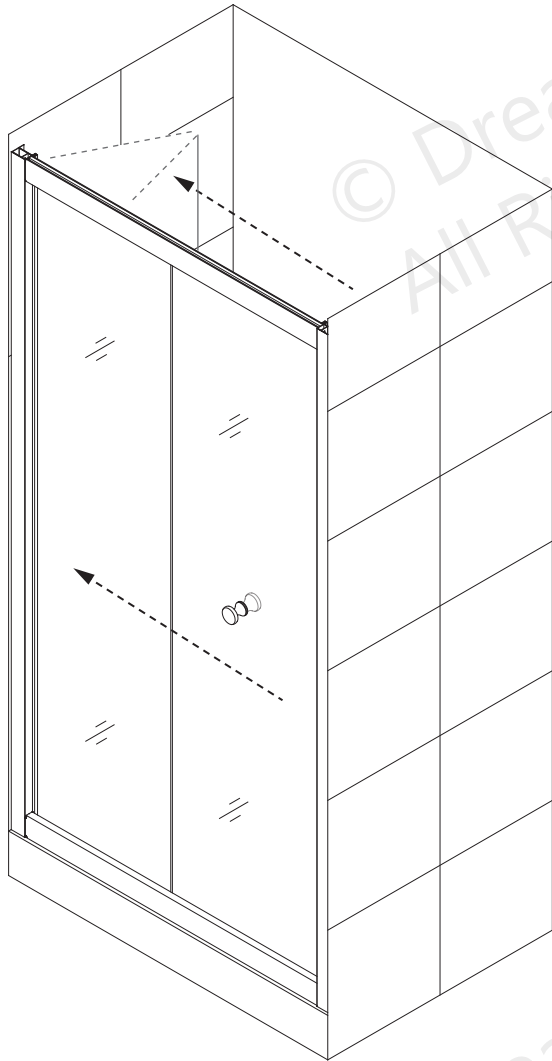
Support@DreamLine.com



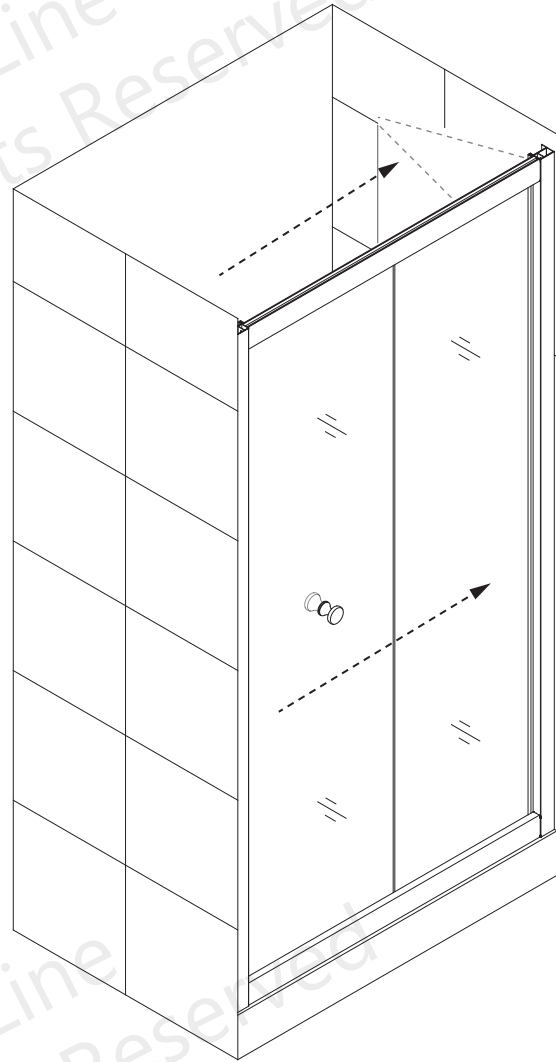
For more information about DreamLine® Shower Doors, Tub Doors & Enclosures, please visit **DreamLine.com**



NOTE: This door is reversible for right or left-hinge door installation. The left-hinge door installation is shown as an example throughout this manual. For a right-hinge door installation, simply flip the entire door assembly over before positioning in the opening for installation. **(See step #6)**



Left-Hinge installation shown
(door opens to the Left)



Right-Hinge installation shown
(door opens to the Right)

Table of Contents

Section title	Page #
Preparation	2
Tools	3
Detailed Diagram of Shower Door Components	4
Parts List	5
Installation Steps	6-14
Vinyl Seals/Handle	13
Product Maintenance	15



NOTE: This product should be installed by someone familiar with the construction requirements for this type of project and the care necessary for the safe installation and operation of the product.

Preparation

1. Prior to installation, examine all boxes and packages for shipping damage and compare the piece count with the packing slip. After opening all boxes and packages read this introduction carefully. Check that all of the necessary parts are included in the package by checking off the components on the "Detailed Diagram of Shower Door Components". If the unit has been damaged, has a finishing defect, or has missing parts, please contact our customer support department within **3 business days** of the delivery date. **Please note that DreamLine® will not replace any damaged products or missing parts free of charge after 3 business days or if the product has been installed.** Contact DreamLine® if you have any questions, and please provide an order number, job name or other proof of purchase to help identify the original order.

2. **Please note that you should consult your local building codes with questions on installation compliance standards. Building and plumbing codes may vary by location, and DreamLine® is not responsible for code compliance standards for your project and will not accept any returns.**

3. If this unit is going to be installed in a new construction, please install all of the required plumbing and drainage before installing the shower. Use a competent and licensed (if required by local code) plumber for all plumbing installations.

4. Make sure that prior to beginning the installation, the surfaces are leveled and solid and will be able to support the total weight of the unit. Also make sure the walls are at right angles. Irregular installation surface level, radius corners or improper angle of side walls will result in serious problems for your installation. Note that some adjustments and drilling will be necessary during the installation process.

5. Protect all primary surfaces of the product during installation. Never set the glass down directly onto a tile floor. Leave corner protectors in place until necessary to remove them. Always use a piece of wood or cardboard to protect the bottom edge and corners of the glass prior to and during installation.

6. This unit must be installed upon a finished threshold and against finished walls.

7. This model has **3/4"** of adjustment for out-of-plumb wall conditions and/or overall width within the wall profiles. Confirm the finished opening dimensions and conditions before proceeding with the installation.

NOTE: Model **SHDR-4532726-##** is designed to fit a finished opening between 30"-31-1/2"
Model **SHDR-4536726-##** is designed to fit a finished opening between 34"-35-1/2"

8. **Threshold must be level for proper installation.**

9. This model requires a minimum of **1"** of flat, level threshold space for installation.

10. **Professional installation recommended.**

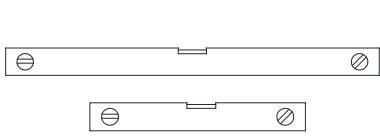
11. **Two installers recommended.**



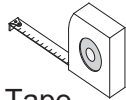
NOTE: DO NOT attach the handle/knob to the door glass until instructed.

DO NOT use the handle/knob to lift the glass during installation. This may result in damage to the glass and/or serious injury. Always use an assistant or a professional grade glass suction cup when handling heavy glass.

Tools



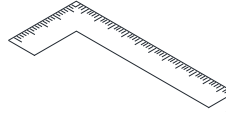
Level



Tape Measure



Pencil



Carpenter's Square



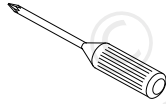
Drill bit
Ø5/16"
(8mm)



Drill bit
Ø1/8"
(3mm)



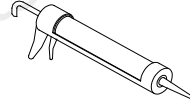
Power Drill



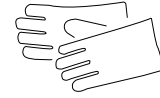
Phillips
Screwdriver



Hammer



100% Silicone

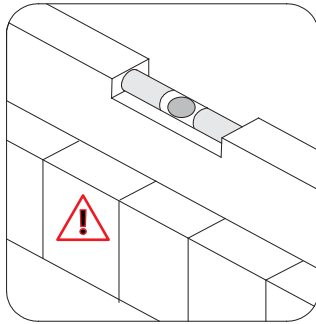


Work Gloves



Safety Glasses

Threshold must be level



TIP: Measure the finished opening before proceeding with the installation to be sure that the correct model size has been ordered.

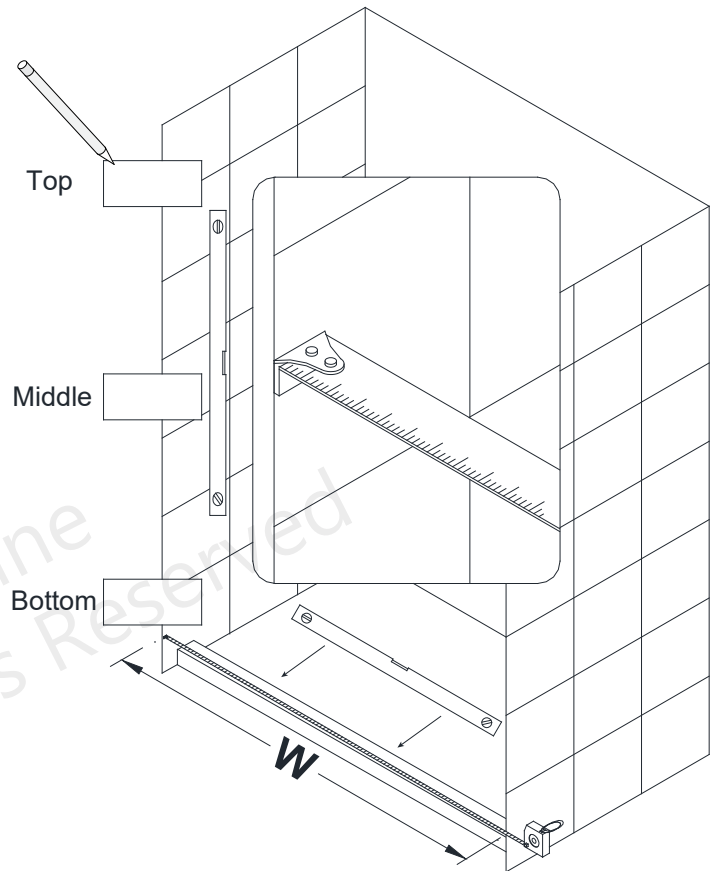
TIP: Prior to installation, cover the shower/tub drain with tape to prevent losing screws or small parts.

TIP: Set screw gun clutch to low setting when installing screws and bolts to prevent stripping the heads.

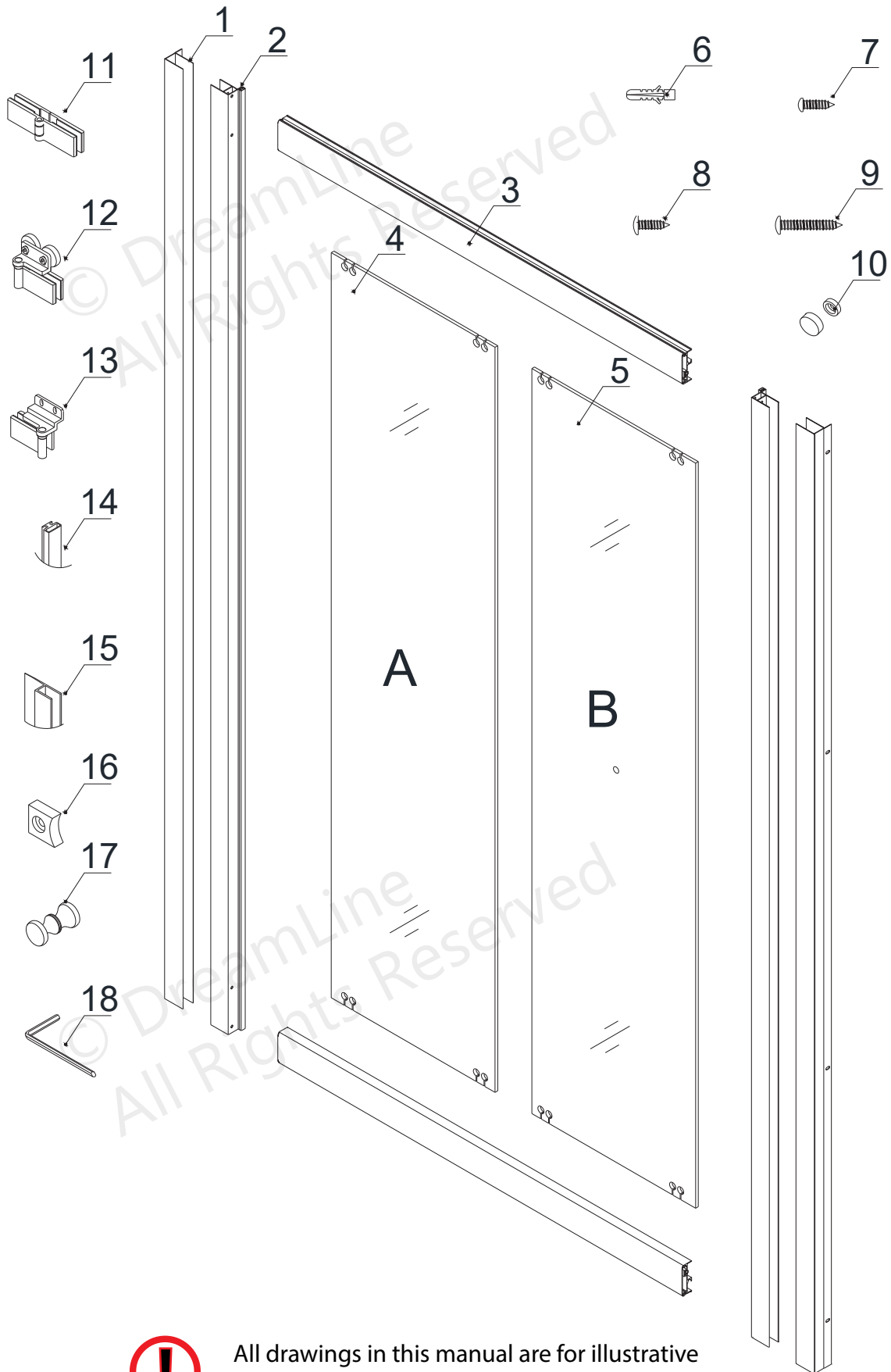


NOTE: Unpack the product carefully and inspect it. Lay it out and identify all parts using the detailed diagram and parts list in this manual as a reference. Before discarding the carton, check for small hardware bags that may have fallen to the bottom of the box. If any parts are damaged or missing, please contact DreamLine® for replacement. The shipping boxes may contain extra parts not used in your model configuration.

NOTE: Retain these installation instructions for future reference.



Detailed Diagram of Shower Door Components



All drawings in this manual are for illustrative purposes only and are not drawn to scale.

Parts List

ITEM #	DESCRIPTION	QTY	ITEM #	DESCRIPTION	QTY
01	Wall Profile	2 pcs	10	Decorative Cover and Washer	4 pcs
02	Glass Profile	2 pcs	11	Center Hinge Assembly (top & bottom)	1 set
03	Guide Rail (top & bottom)	2 pcs	12	Roller Assembly (top & bottom)	1 set
04	Door Glass A	1 pc	13	Hinge Assembly (top & bottom)	1 set
05	Door Glass B	1 pc	14	Vinyl Seal Insert (pre-installed on part #2)	2 pcs
06	Ø5/16" Wall Anchor	8 pcs	15	Vertical Vinyl Seal	1 pc
07	ST4.2×10 Pan Head Screw	4 pcs	16	Roller Stopper	2 pcs
08	ST4.2×12 Truss Head Screw	6 pcs	17	Knob	1 set
09	ST4.2×40 Truss Head Screw	16 pcs	18	Allen Wrench	1 set

© DreamLine
All Rights Reserved

Installation steps



NOTE: Use caution when handling the door glass.
Do Not bang the door glass together during assembly.

1. Carefully place **Door Glass A (#04)** and **Door Glass B (#05)** on a flat surface. **(Fig 1)**



NOTE: The distance from the long edge of the glass to the paired holes is different. Align the edges where the holes are closer as shown in **Fig 1**.

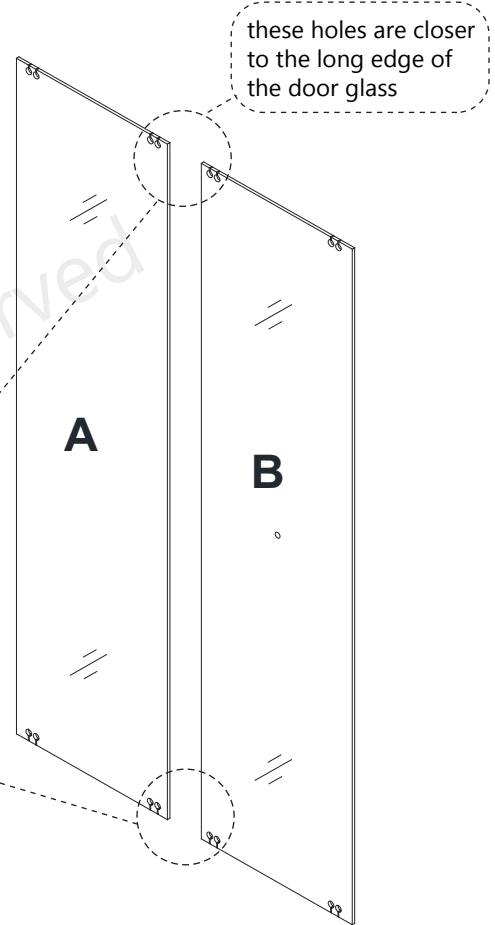


Fig 1

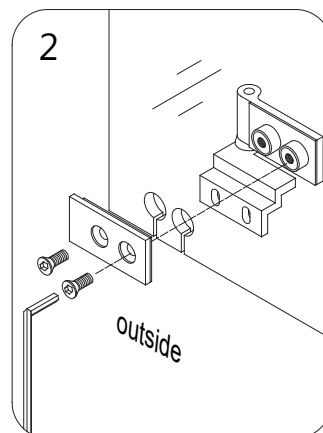
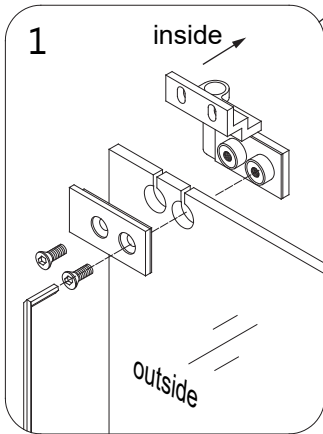


Fig 2

2. Attach the **Hinge Assemblies (top & bottom) (#13)** to the outside edge of the **Door Glass A (#04)** using the **Allen Wrench (#18)**. Install the **Hinge Assemblies (top & bottom) (#13)** onto the glass with the bolts facing toward the outside of the shower. Be sure that all gaskets are in place to prevent glass-to-metal contact. **(Fig 2)**

3. Attach the Roller Assemblies (top and bottom) (#12) onto the correct holes on Door Glass B (#05) (this is the glass with the hole in the center for the knob). Install the Roller Assemblies (top and bottom) (#12) onto the glass with the bolts facing toward the outside of the shower. Be sure that all gaskets are in place to prevent glass-to-metal contact. (Fig 3)

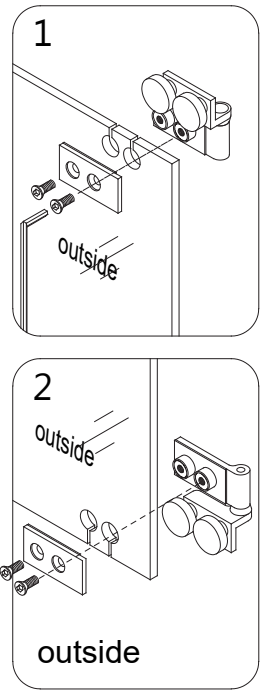
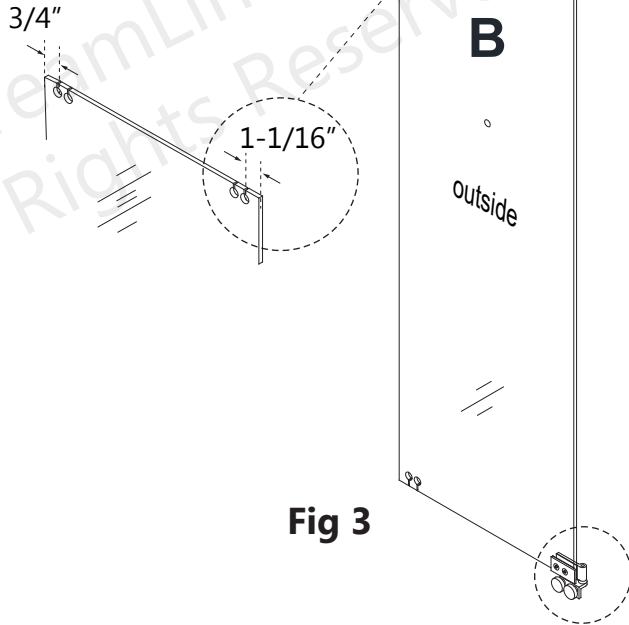


Fig 3

4. Connect Door Glass A (#04) to Door Glass B (#05) using the Center Hinge Assemblies (top & Bottom) (#11). Install the Center Hinge Assemblies (top & Bottom) (#11) onto the glass with the bolts facing into the shower. Be sure that all gaskets are in place to prevent glass-to-metal contact. (Fig 4a and Fig 4b)

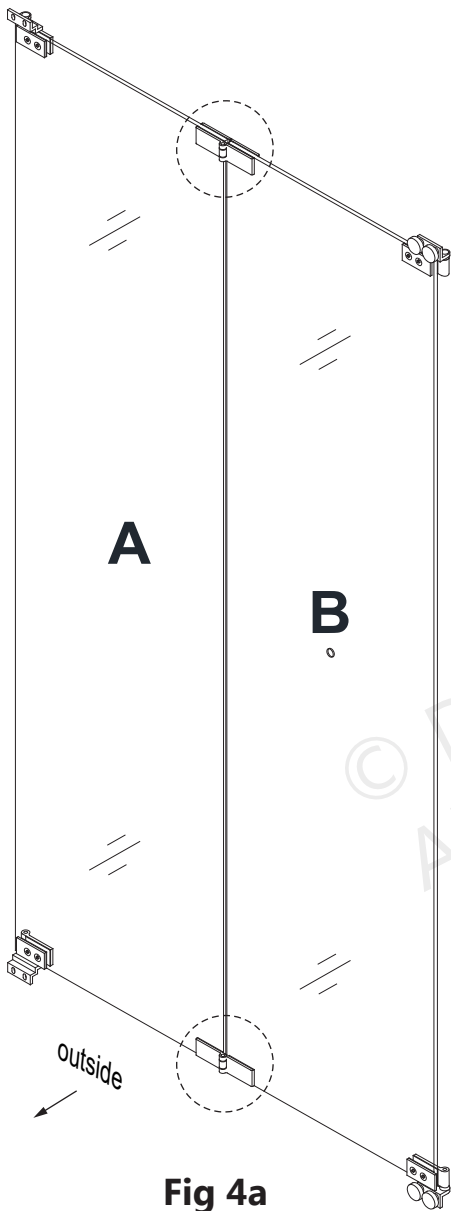


Fig 4a

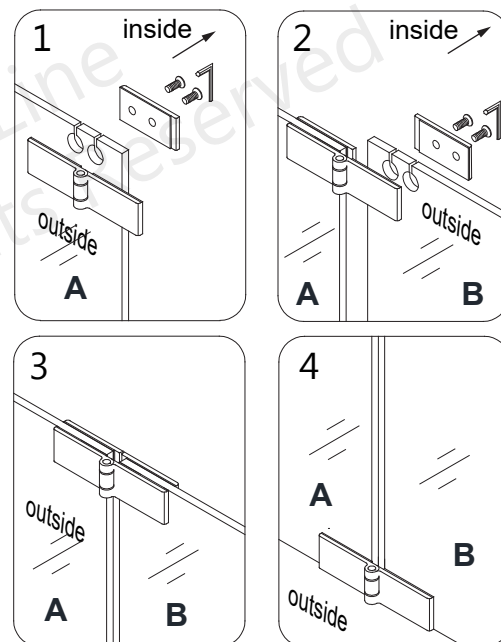


Fig 4b

5. Attach the Guide Rails (top & bottom) (#03) to one of the Glass Profiles (#02) using the ST4.2×40 Truss Head Screws (#09). Start on the left end (as viewed from outside). (Fig 5)



NOTE: Make sure the **Vinyl Seal Insert (#14)** on the **Glass Profile (#02)** is on the **inside** of the shower (**Fig 8a.1**).



TIP: Apply a small amount of **liquid soap or wax** to the threads of the screws to make installation easier and to prevent stripping the screw heads.

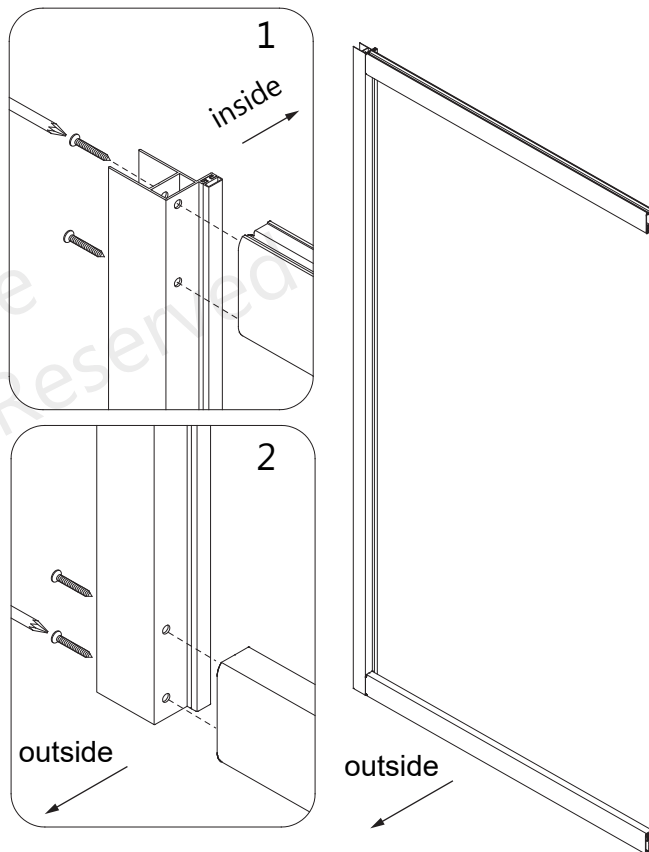


Fig 5

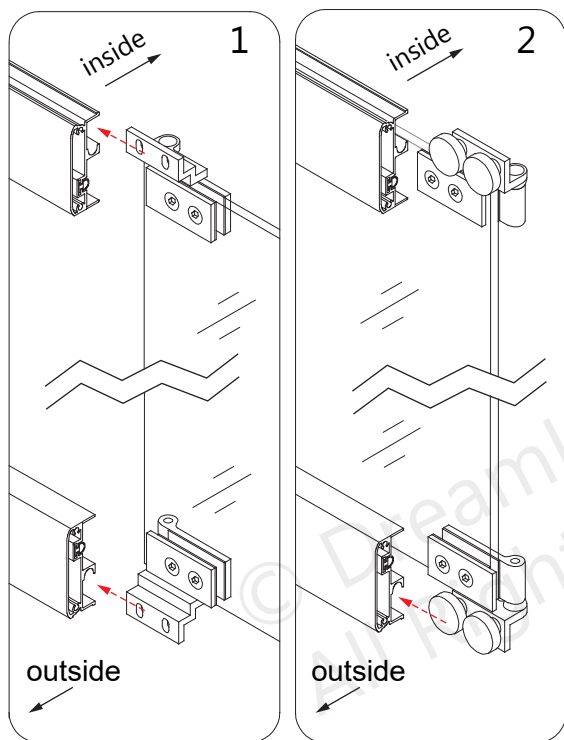


Fig 6a

6. Slide Hinge Assembly (#13) side of the door glass assembly into the channel of the top and bottom Guide Rails (#03) from the right side, followed by the Roller Assemblies (#12). (Fig 6a and Fig 6b)

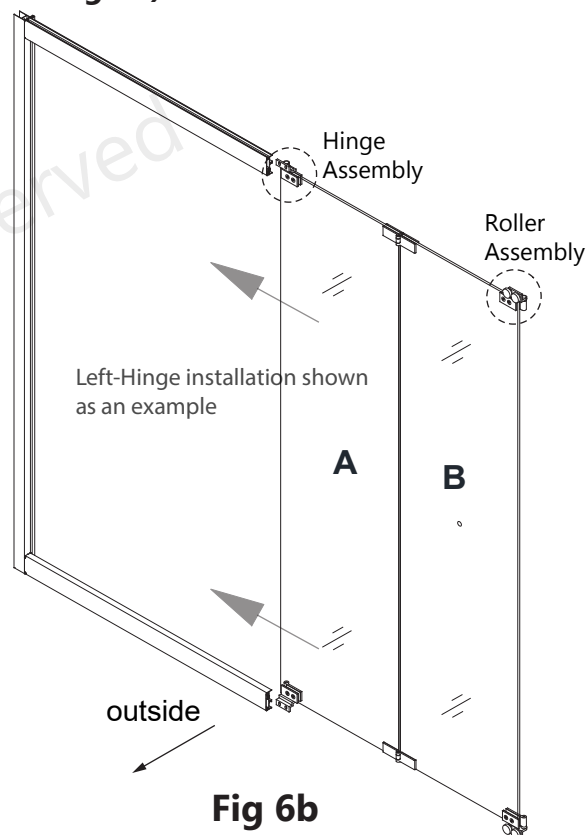


Fig 6b



NOTE: This step will determine the handing of the door. Left-Hinge installation is shown. For a Right-Hinge installation, simply rotate the door assembly from top to bottom and insert the **Hinge Assembly (#13)** side into the left end of the guide rails first.

7. Attach the Hinge Assemblies (#13) into the pre-drilled holes in the Guide Rails (top & bottom) (#03) using the ST4.2×12 Truss Head Screws (#08). (Fig 7)

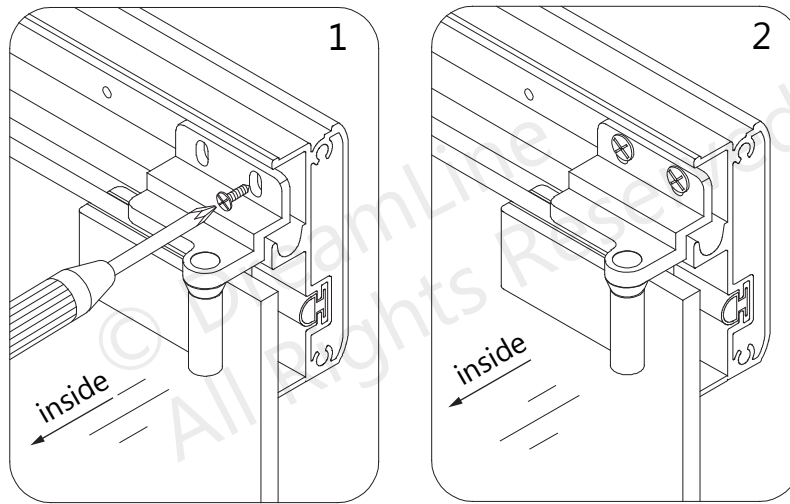


Fig 7

8. Attach the remaining Glass Profile (#02) onto the right side of the Guide Rails (top & bottom) (#03) using the ST4.2×40 Truss Head Screws (#09).

(Fig 8a and 8b)

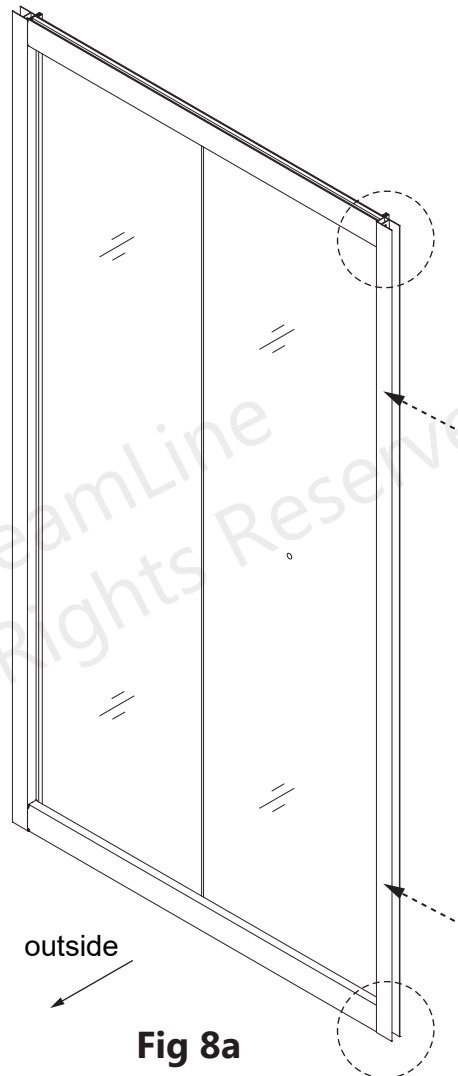


Fig 8a

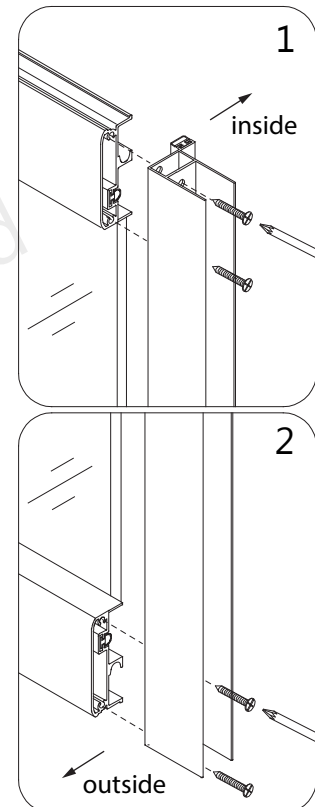


Fig 8b

9. Secure the **Roller Stoppers (#16)** to the top and the bottom **Guide Rails (#03)** into the pre-drilled holes using the **ST4.2x10 Pan Head Screws (#07)**. (**Fig 9**)

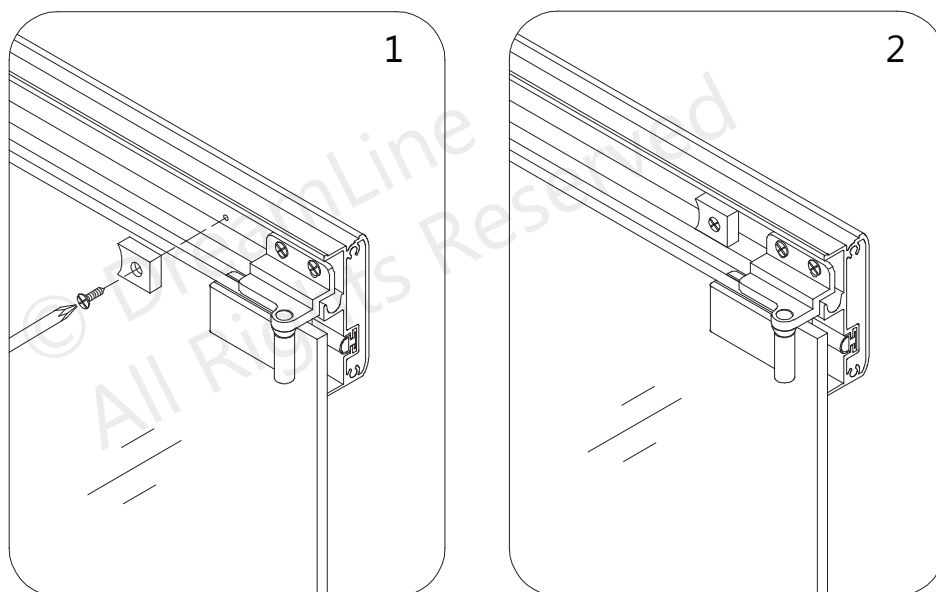


Fig 9

10. Slide the two **Wall Profiles (#01)** over both of the **Glass Profiles (#02)**. Be sure to position the **Wall Profiles (#01)** so that the flange with the predrilled holes faces inside the shower. (**Fig 10a and Fig 10b**)

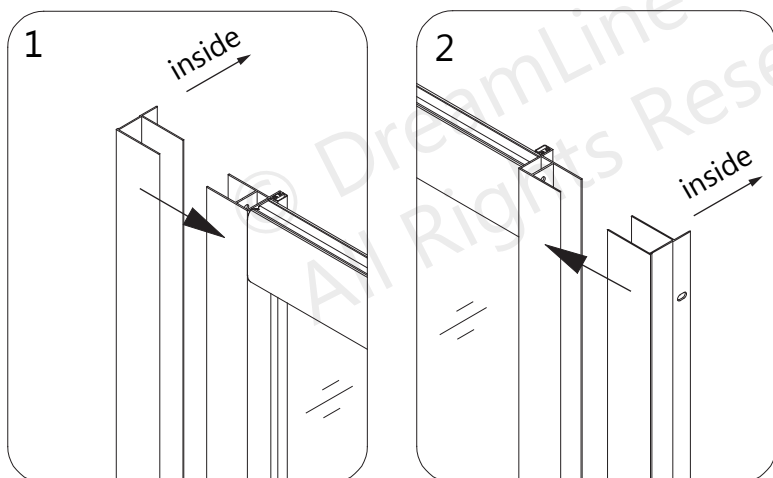


Fig 10a

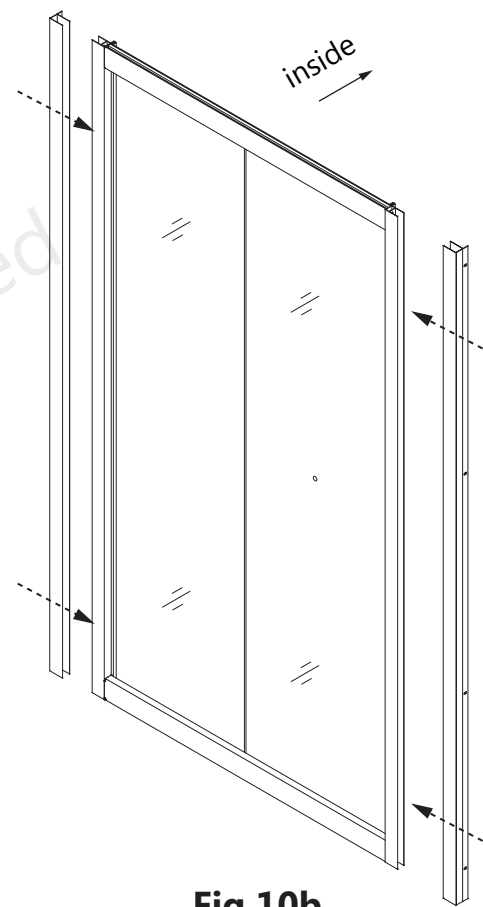


Fig 10b

11. Carefully position the assembled unit onto the threshold and slide the **Wall Profiles (#01)** outward, tight against the walls.

The **Wall Profiles (#01)** will allow for up to 3/4" of adjustment per side for out-of-plumb wall conditions or overall width adjustment within the model size.

Hold the assembled unit plumb and align it evenly across the threshold. **(Fig 11)**

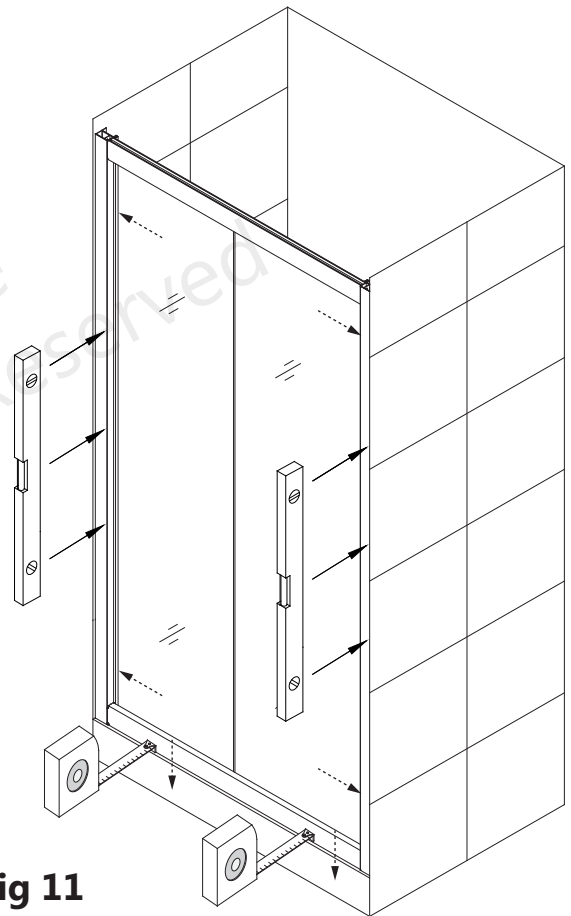


Fig 11

12. From inside of the shower, mark the screw holes onto the wall through the pre-drilled holes in flanges of the **Wall Profiles (#01)**.

Move the entire assembly aside and drill **Ø5/16"** holes into the marks on the wall. Insert the **Wall Anchors (#06)** into the holes.

Place the assembled unit back onto the threshold and fasten the **Wall Profiles (#01)** to the walls using the **ST4.2×40 Truss Head Screw (#12)**. **(Fig 12)**

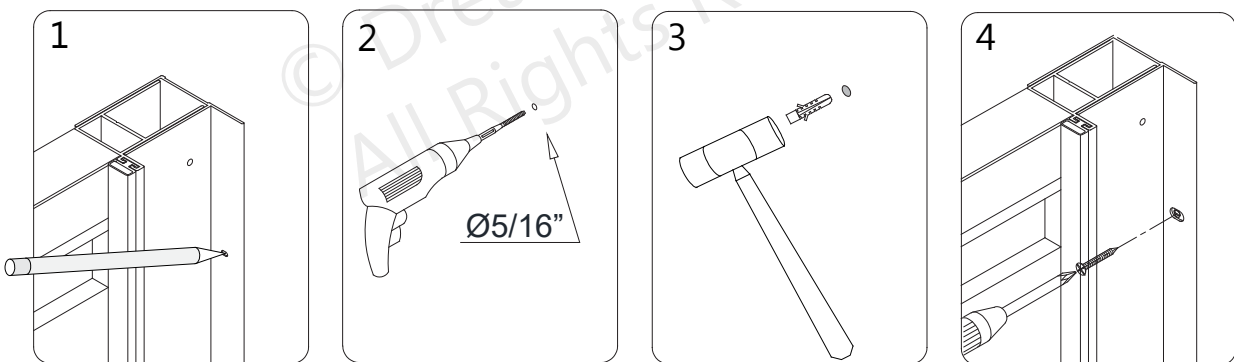


Fig 12

13. Perform any final adjustments with the **Wall Profiles (#01)** and make certain that the bottom rail is tight to the threshold. Drill $\text{Ø}1/8''$ holes into the **Glass Profiles (#02)** through the **Wall Profiles (#01)**, approximately $3/4''$ from the wall. Drill one hole approximately $2''$ - $4''$ from the top and bottom of each wall profile. Secure the **Wall Profiles (#01)** and the **Glass Profiles (#02)** together with the **ST4.2×10 Pan Head Screw (#07)** and the raised white **washers (#10)** and attach the **Decorative Covers (#10)**. (Fig 13)



NOTE: Do Not drill the profiles throughout, only through the first layer.

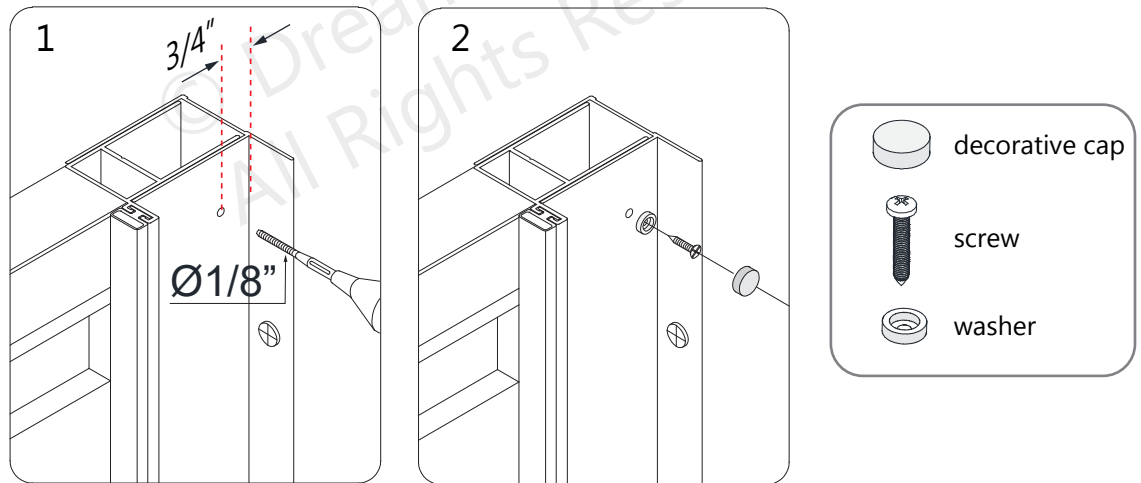


Fig 13

14. Test the operation of the **doors** and adjust the bolts on the **Rollers (#12)** if necessary to allow the doors to slide smoothly. (Fig 14)



TIP: Some additional minor adjustments to the rollers and hinges may be necessary so that the doors will close completely and seal tightly.

Start adjustments from the Hinge Side, then the Center Hinges and finally the Top and Bottom Roller assemblies.

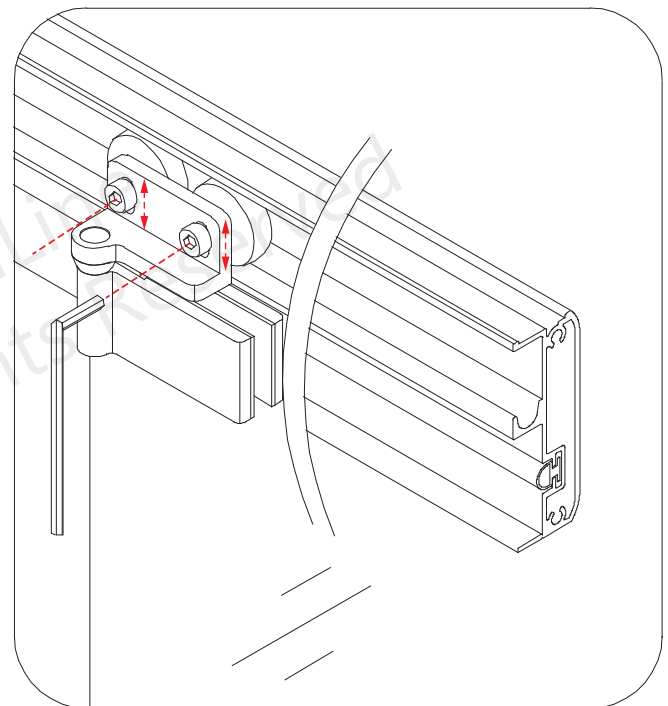
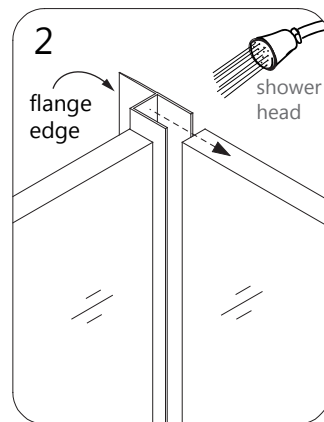
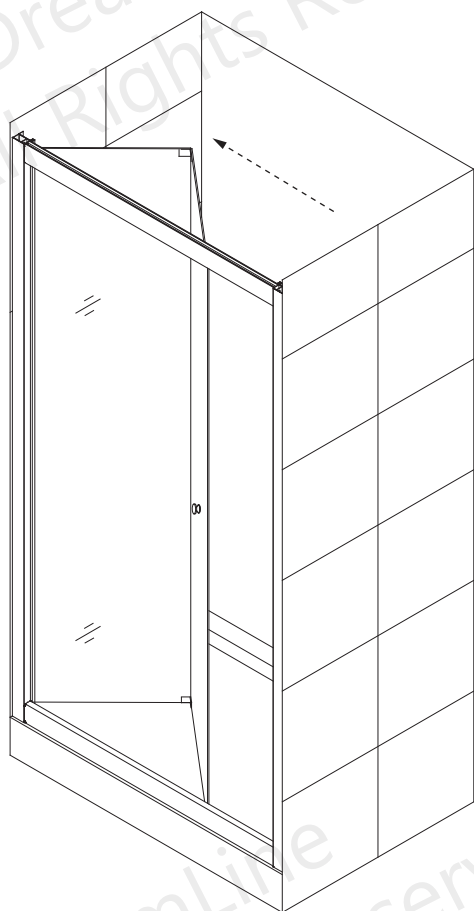
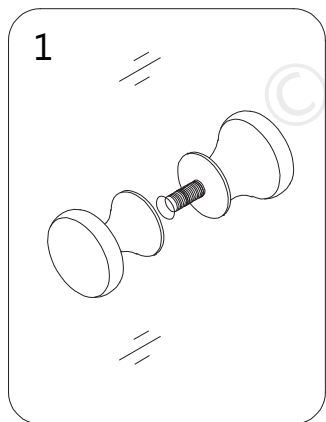


Fig 14

15. Attach the **Knob (#17)** through the hole in **Door Glass B (#05)**.

Open the door and attach the **Vertical Vinyl Seal (#15)** to the vertical edge of the **Door Glass** that is on the shower head side so that the flange points away from the water flow. **(Fig 15)**



Attach the Vertical vinyl seal (#15) below the top hinge and above the bottom hinge

Fig 15

Left-Hinge installation shown

16. From the inside of the shower: Apply a good quality mildew-resistant silicone between the walls and the **Wall Profiles (#01)** and along the bottom **Guide Rail (#03)** and the threshold. **(Fig 16)**



NOTE: Surfaces must be clean and free of debris before applying silicone.



TIP: Allow 24 hours for the silicone to cure before using the shower.

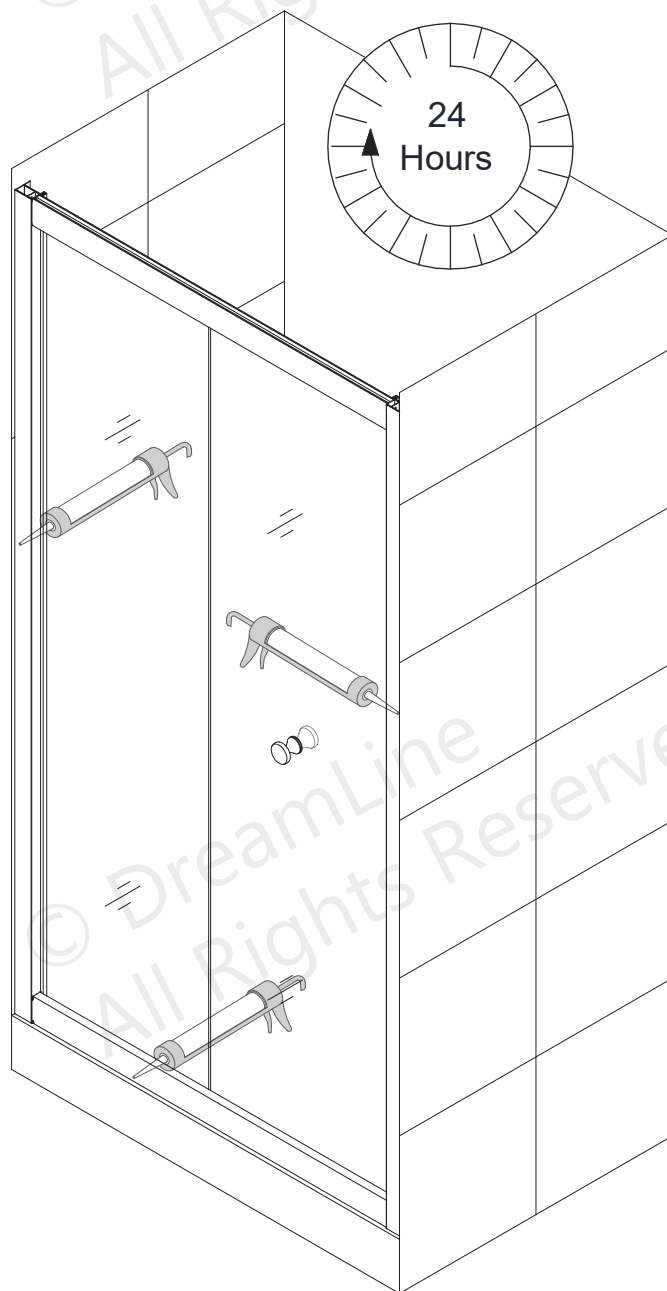


Fig 16

Product Maintenance

BASES and BACKWALLS: To ensure long-lasting life for your acrylic back walls, wipe them off after each use with a soft cloth. To clean the acrylic back walls use non-abrasive sprays or cream based cleaners. Avoid the use of aerosol spray cleaners. Never use abrasive cleansers, metal brushes or scrapers that could scratch or dull the surface.

GLASS: To ensure long-lasting life for your glass shower products, wipe them off after each use with a soft cloth. Rinse and wipe off the glass using either a soft cloth or a squeegee to prevent soap buildup and water spots (Hard water can etch the surface of the glass over time if left to dry). To prevent scratching the surface: never use abrasive cleaners or cleaning products that contain scouring agents. Never use bristle brushes or abrasive sponges that may scratch the surface.

HARDWARE: To ensure a long-lasting finish, wipe off the metal parts after each use with a soft cloth. Do not use abrasive cleaners or cleaning products containing ammonia, bleach or acid. If accidentally used, rinse the surface as soon as possible to prevent damage to the finish (peeling or corrosion). After cleaning the polished finishes, rinse thoroughly and wipe dry with a soft cloth. Clean stainless steel surfaces at least once a week. When applying stainless steel cleaner or polish to stainless steel hardware, work with (not across) the grain. Never use an abrasive sponge or cloth, steel wool or wired brush as these may permanently scratch the surfaces.

NOTE: To maximize the life of your door, it is important to regularly inspect the glass and all hardware for misalignment, proper attachment, and/or damage. Contact DreamLine® with any questions or concerns.

DreamLine® shower doors and enclosures are designed not to leak when installed properly and the flow of water is not pointed directly at the vinyl seals.

BUTTERFLY Shower Door Maintenance checklist

- Inspect the **Hinge assemblies and Roller assemblies** and tighten if loose
- Inspect the **edges of the door glass** for damage
 - o **Damaged glass must be replaced!**
- Inspect all **vinyl seals**- replace if damaged or missing

© DreamLine
All Rights Reserved



© DreamLine
All Rights Reserved

TEL: 866-731-2244
FAX: 866-857-3638
DREAMLINE.COM

For more information on DreamLine® Shower Doors and Enclosures please visit **DreamLine.com**