



Canterbury Bathroom Vanity

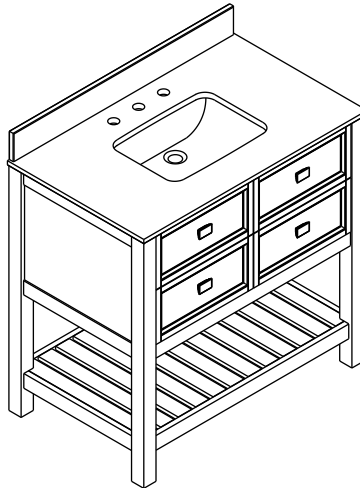
Available at Lowes.com. See Store Associate for Details.

CREATE YOUR PERFECT VANITY

Choose from various sizes & finishes

36-IN Vanity Base and Top

(36-IN W x 22-IN D- 35-IN H)



ITEM#	WHITE
864253	White Finish Base, White Engineered Top
864255	White Finish Base, Carrara Marble Top
864256	White Finish Base, Carrara Engineered Top
864823	White Finish Base, Black Granite Top

ITEM#	LIGHT GREY
864250	Light Grey Finish Base, White Engineered Top
864251	Light Grey Finish Base, Carrara Marble Top
864252	Light Grey Finish Base, Carrara Engineered Top
864822	Light Grey Finish Base, Black Granite Top

ITEM#	BLACK BIRCH
864260	Black Birch Finish Base, White Engineered Top
864261	Black Birch Finish Base, Carrara Marble Top
864262	Black Birch Finish Base, Carrara Engineered Top
864825	Black Birch Finish Base, Black Granite Top

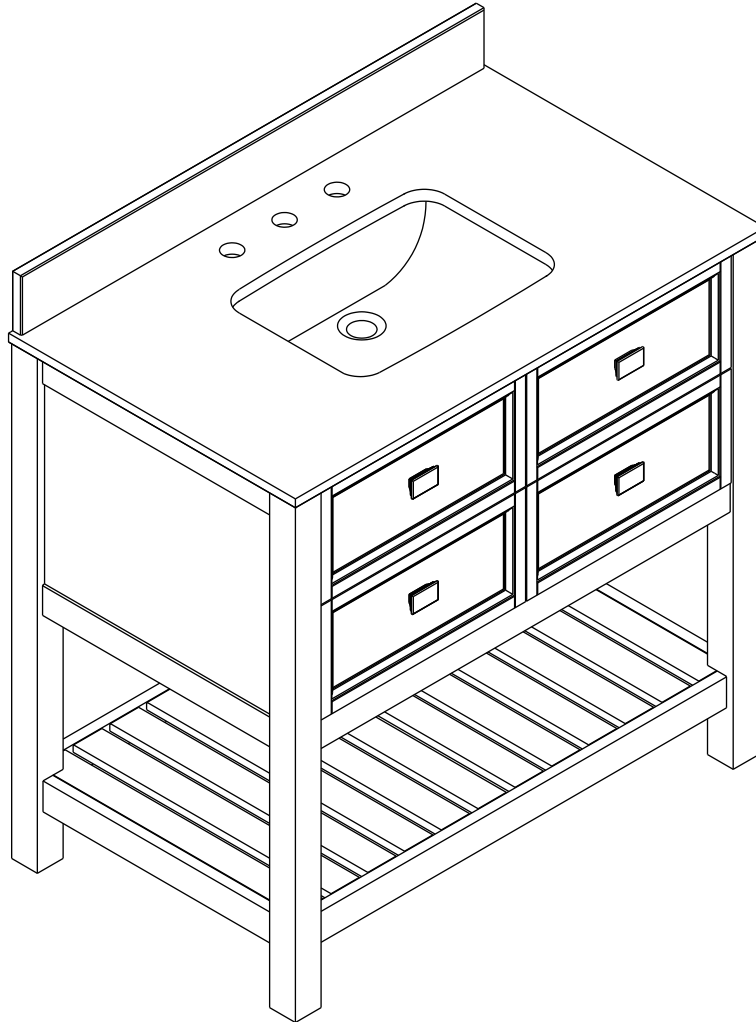
ITEM#	MAHOGANY
864257	Mahogany Finish Base, White Engineered Top
864258	Mahogany Finish Base, Carrara Marble Top
864259	Mahogany Finish Base, Carrara Engineered Top
864824	Mahogany Finish Base, Black Granite Top

Date Purchased _____

Questions, problems, missing parts?

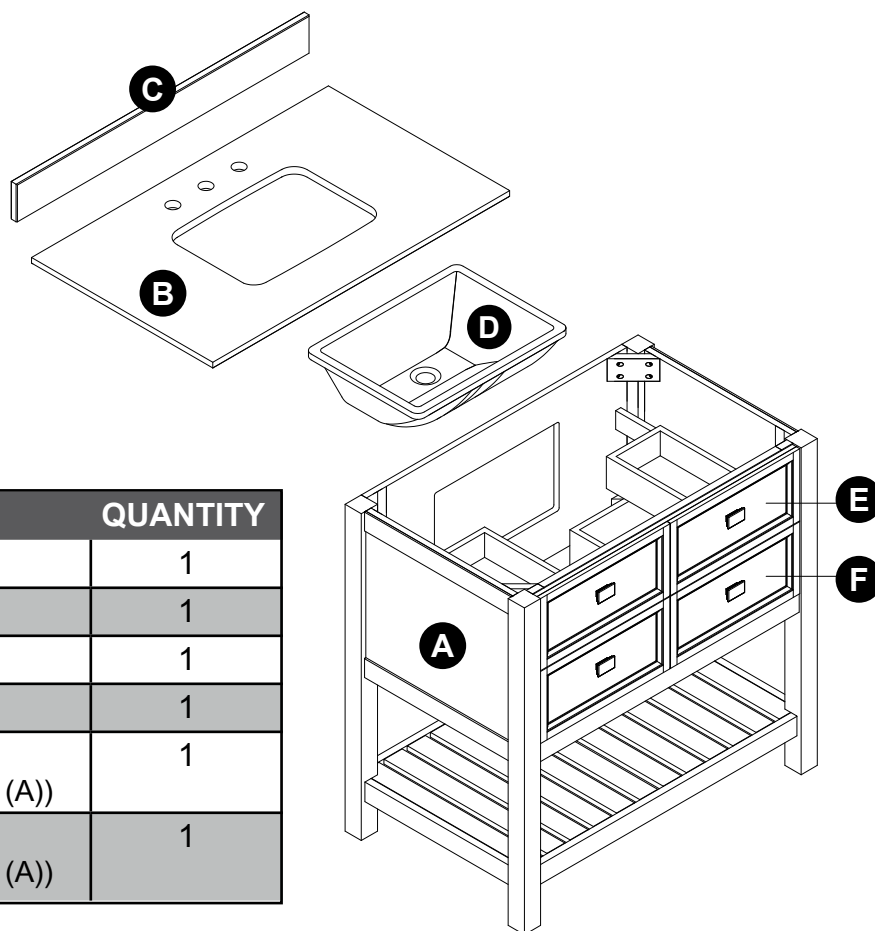
Before returning to your retailer, call our customer service department at 1-855-571-1044 9 a.m. - 5 p.m., EST, Monday-Friday. www.greentouchhome.com





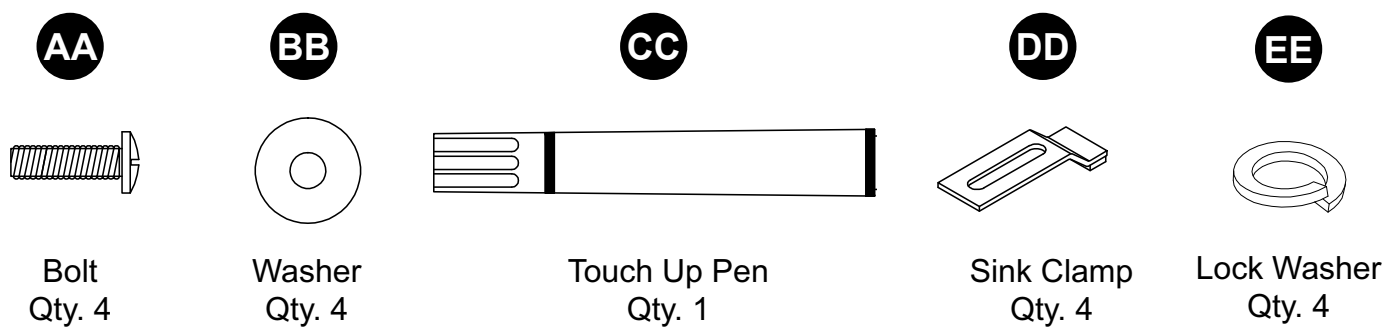
MODEL NUMBER	DESCRIPTION
1227VB-36-201	36" White Finish Vanity Base & Sink
1227VB-36-202	36" Mahogany Finish Vanity Base & Sink
1227VB-36-240	36" Black Birch Finish Vanity Base & Sink
1227VB-36-242	36" Light Grey Finish Vanity Base & Sink
1227VT-36-900	36" Carrara Marble Top
1227VT-36-901	36" White Engineered Top
1227VT-36-903	36" Carrara Engineered Top
1227VT-36-904	36" Black Granite Top

PACKAGE CONTENTS



PART	DESCRIPTION	QUANTITY
A	Vanity	1
B	Top	1
C	Backsplash	1
D	Sink	1
E	Top Drawer (preassembled to Vanity (A))	1
F	Bottom Drawer (preassembled to Vanity (A))	1

HARDWARE CONTENTS (NOT SHOWN ACTUAL SIZE)



SAFETY INSTRUCTIONS

Please read and understand this entire manual before attempting to assemble, operate or install the product.

WARNING

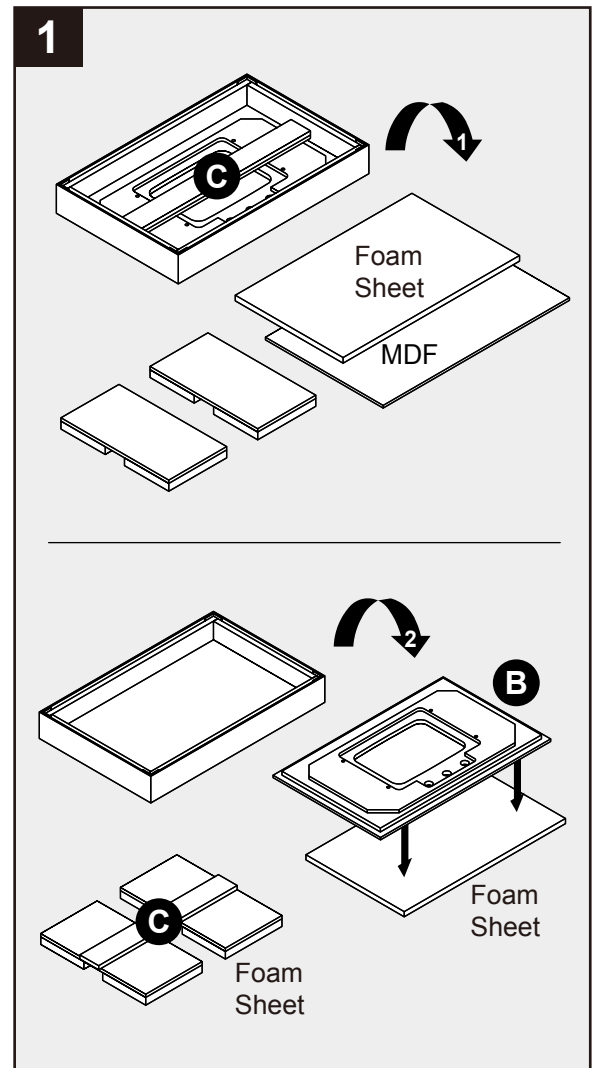
- Some steps are more easily handled with 2 adults.

CAUTION

- Use care when assembling the vanity; take your time and follow the assembly instructions closely.

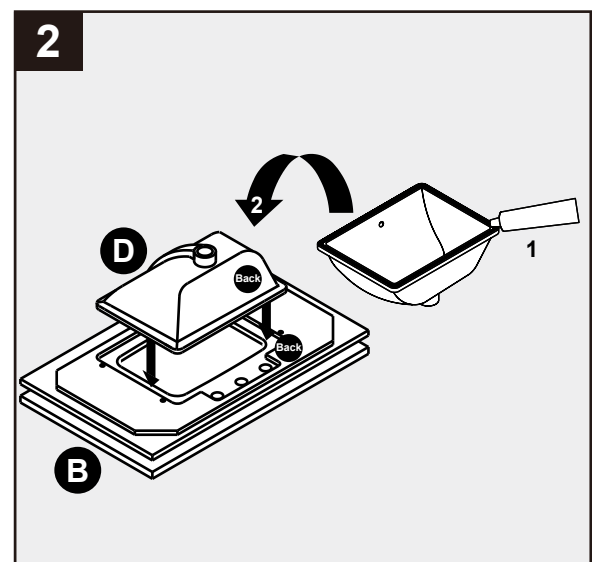
INSTALLATION INSTRUCTIONS

1. Place Top (B) and Backsplash (C) face down onto a scratch free surface such as a foam sheet that came in the packaging.



2. Apply silicone adhesive (not included) to the top edge of Sink (D). With the help of another adult, lower the sink onto the back side of the stone top. Make sure the sink over-flow hole is facing the front of stone top. Be sure to align the sink well with the stone top cut out allowing for equal stone overhang on the front, back and sides of the ceramic sink (D).

Note: To install the sink onto top correctly, ensure the two “Back” stamps on the sink and on the sub-top frame are on the same side, and also make sure that the lines marked on the sink and on the sub-top frame line up.


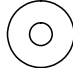
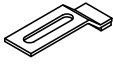



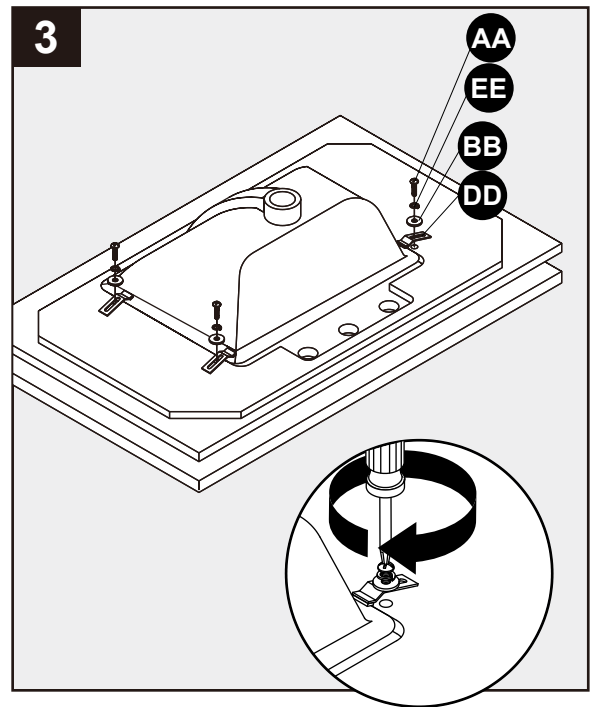
INSTALLATION INSTRUCTIONS

3. Place the sink clamps in the proper position above the pre-threaded holes in the stone top. Using Bolts (AA) Lock Washers (EE) and Washers (BB) secure Sink Clamps (DD) to the bottom of the Stone Top (B).

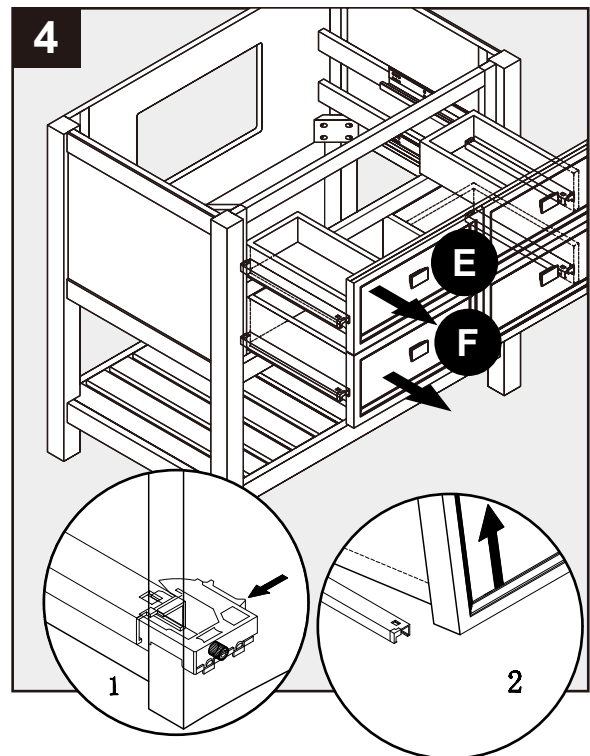
Tip: check that the sink placement is well centered front to back and side to side of the stone top cut out before allowing the silicone adhesive to dry. If the sink is not centered well unscrew sink clamps, readjust the sink position and re-tighten the sink clamps.

Hardware Used

AA	Bolt		x 4
BB	Washer		x 4
DD	Sink Clamp		x 4
EE	Lock Washer		x 4



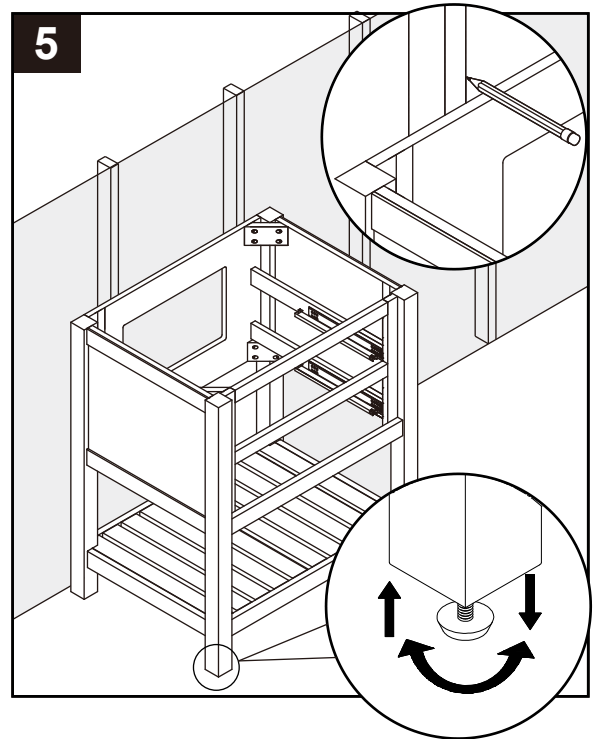
4. To remove drawers (E,F) preassembled in vanity (A), fully extend drawers. Locate plastic levers under drawer box on metal glide tracks at left and right sides of drawer box. To disengage drawer box from glides, push on plastic levers. Then, gently lift drawer up to remove it from vanity (A).



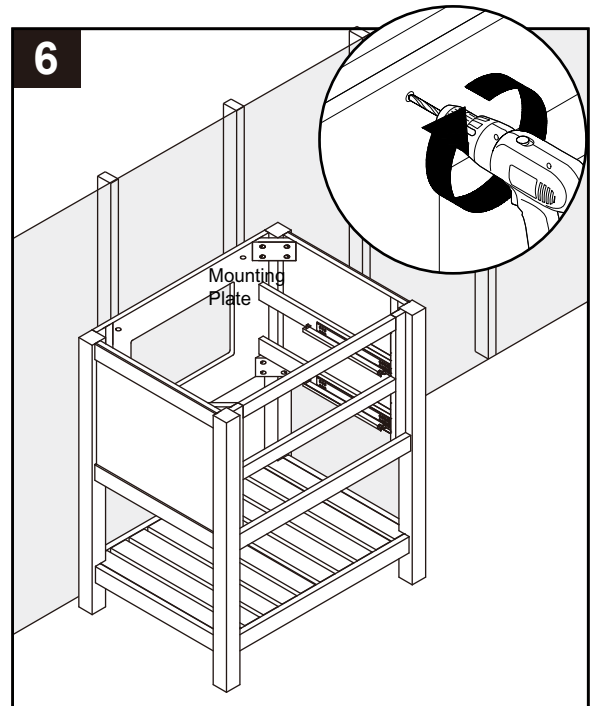
INSTALLATION INSTRUCTIONS

5. Clean area where the vanity (A) will be permanently located prior to beginning installation, ensuring the vanity (A) will not interfere with any water supply and drain lines once mounted.

Locate wall studs and mark locations. With the help of another adult, place completed Vanity Cabinet Assembly to its final location. Adjust the height of the Vanity Cabinet (A) by twisting the adjustable leveler foot pins on the bottom of each leg. Twist clockwise to decrease height or twist counter-clockwise to increase vanity height.



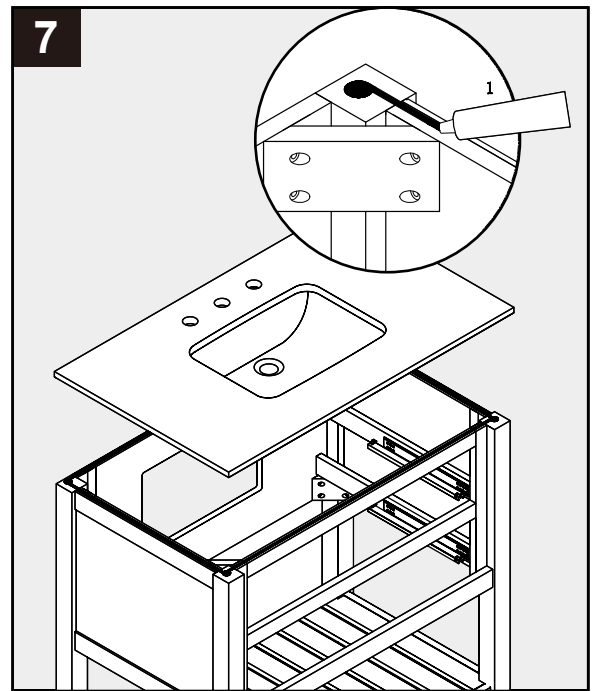
6. Using hardware appropriate for your wall type (not included), secure Vanity Cabinet (A) to two wall studs anywhere through the Vanity Mounting Plates. Be careful not to disturb any electrical or water lines that may be concealed in the wall.



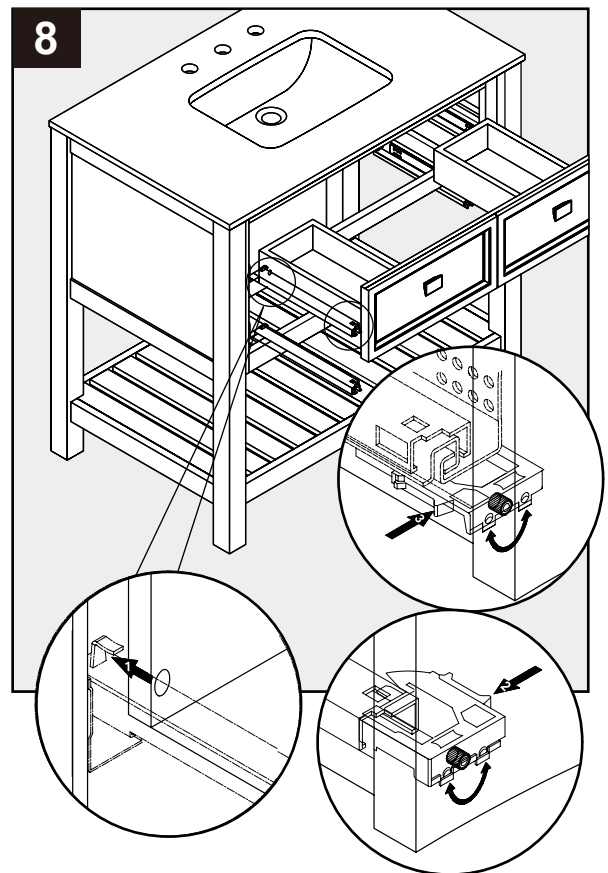
INSTALLATION INSTRUCTIONS

7. Apply silicone adhesive to the top edge of the wood cabinet. With the help of another adult, gently lower down the stone top with assembled sink onto the cabinet. Make sure the stone top is flush with the back side of the wood cabinet and the stone overhang is equal on both sides over the wood cabinet left and right side walls. Remove any excess adhesive before allowing to dry.

Tip: it may be easier to install the faucet and or drain assembly (not included) before securing the stone top to the wood cabinet.



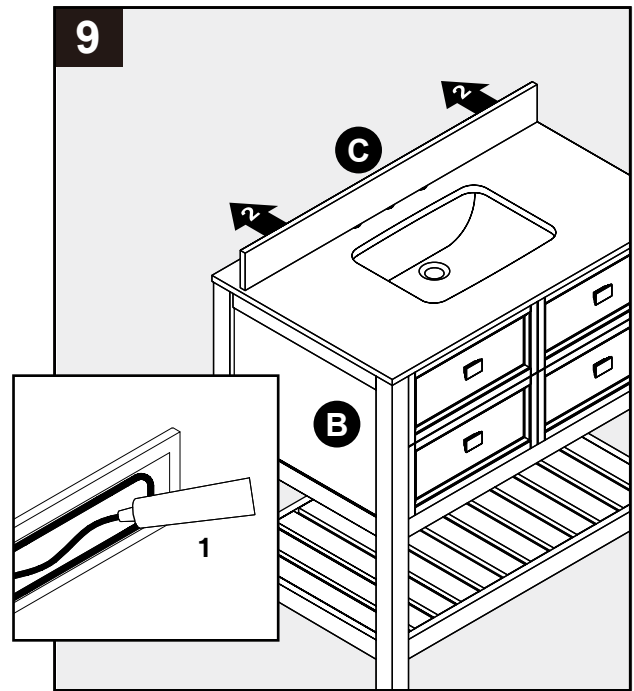
8. Locate Top drawer (E) and Bottom drawer (F) and set aside. Fully extend lower drawer glide tracks. With the help of another adult, hold the extended glide in one hand and the drawer in the other. Gently place the back of the drawer box into the metal hook located on the back of the drawer track. Once the glide hook has been slide into the hole in the back of the drawer box, gently lower the drawer box down onto the extended glide tracks. At the same time depress both of the glide handles and allow the drawer box to fully rest on the glide tracks. Test to see if the drawer box is fully engaged. If the drawer box can still be lifted off the glide track then start again from the beginning. Never force anything or else damage to the drawer or glide hardware could result. Repeat for both drawers. The drawers location can be adjusted slightly up or down by twisting the adjuster knob next to the glide handles.



INSTALLATION INSTRUCTIONS

9. Apply adhesive (not included) to unpolished side and bottom of backsplash (C). Position backsplash (C) on top (B) and against wall. Clean any excess adhesive before allowing to dry.

Assembly is now complete. Install desired faucet and drain assemblies (neither included) if not already done at step 7. Per the manufacturers' instructions to complete the installation.



CARE AND MAINTENANCE

- Dust the vanity regularly with a soft, non-lint producing cloth or household dusting product.
- You can clean the vanity with a gentle, non-abrasive household cleaner.
- Make sure to dry the wood immediately with a soft cloth or towel.
- The ceramic sink can be cleaned using standard ceramic cleaning agents available at your local supplier.
- Tips for using touch-up pen (CC): For scratches, stroke in direction of scratch; for worn areas, stroke in direction of wood grain. Rub off excess colorant promptly with a soft cloth.

IMPORTANT

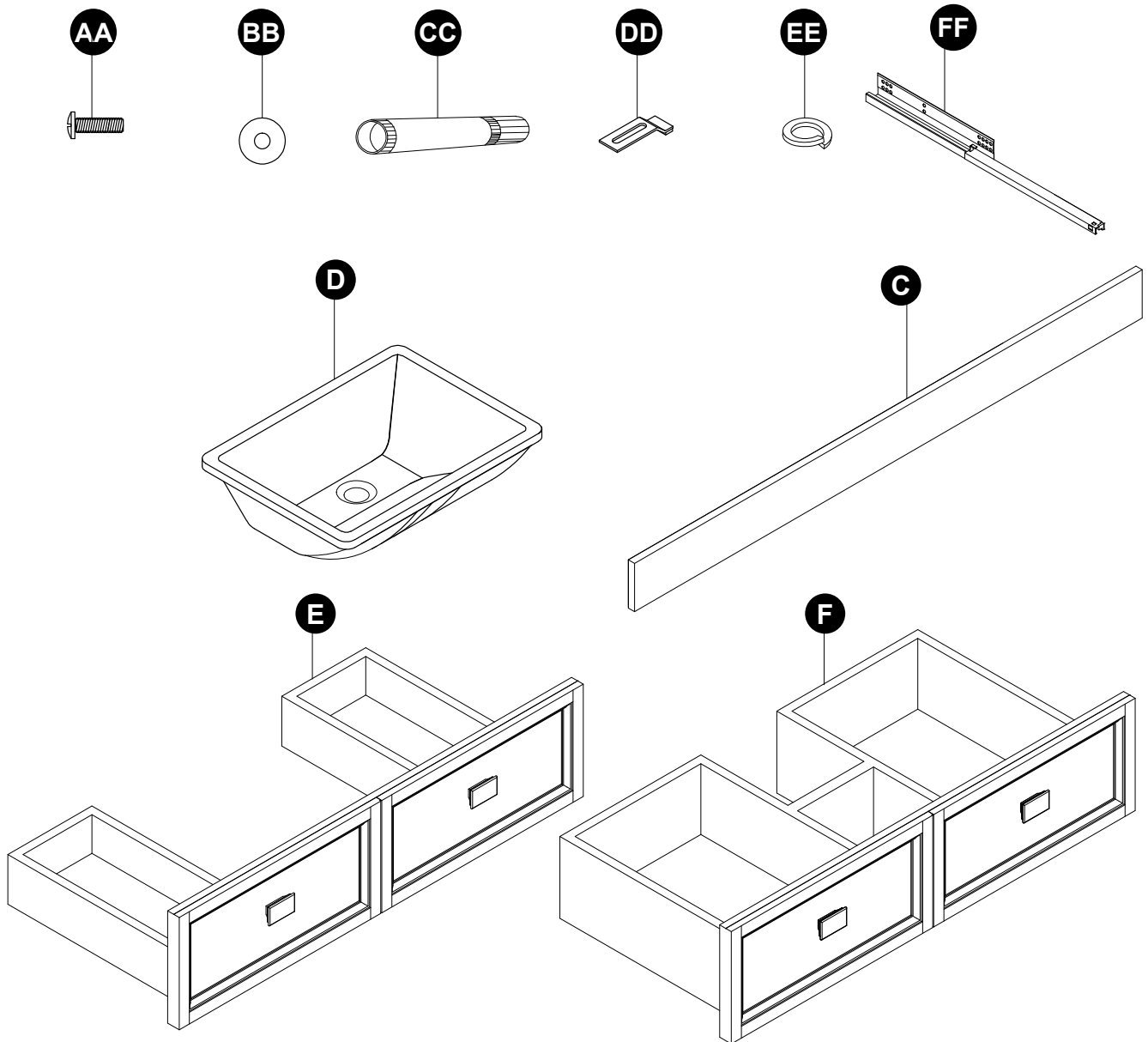
- Shade variations and patterns are an inherent characteristic of stone (e.g. granite, marble, engineered stone). Stone tops will vary from product to product. Use caution placing items such as soap or any fragranced material on the stone surface. Use a soap dish, coaster or similar item to protect the surface if placing any soap or fragranced products on the stone.
- If soap or fragranced products come in contact with the stone top, rinse the surface with water and dry using a soft non-abrasive cloth.
- **WARNING:** Must use cleaning agents safe for stone. Check your cleaning agents use restrictions before using on any stone. Damage to the stone may result. Vanity Manufacturer not responsible for damage caused by improper cleaning agents or soaps used. Warranty will not cover damage caused by the use of improper soaps or cleaning agents.
- **DO NOT** use products to clean the stone top that contain acetone, lemon, vinegar or other acids as these may cause damage to the stone surface.
- Periodically reseal the stone top using an appropriate stone sealer available from your local home store. Follow the manufacturer's directions on how to apply.

WARRANTY

The manufacturer warrants this item against defects in materials and workmanship for a period of one (1) year from the date of original retail purchase. This warranty applies only to the original purchaser. This warranty does not apply to any damage on the product by accident, misuse, or modified, improper installation or by affixing accessories not produced by the manufacturer. The manufacturer will not be held liable for damages caused from cleaners or soaps that etch or stain the stone top. The manufacturer is not accountable whatsoever for product installation during the warranty period. There is no further expressed warranty. The manufacturer shall not be legally responsible for incidental, consequential or special damages arising at or in connection with product use or performance except as may otherwise be accorded by law. The manufacturer disclaims any and all implied warranties.

REPLACEMENT PARTS FOR 1227VB-36-201

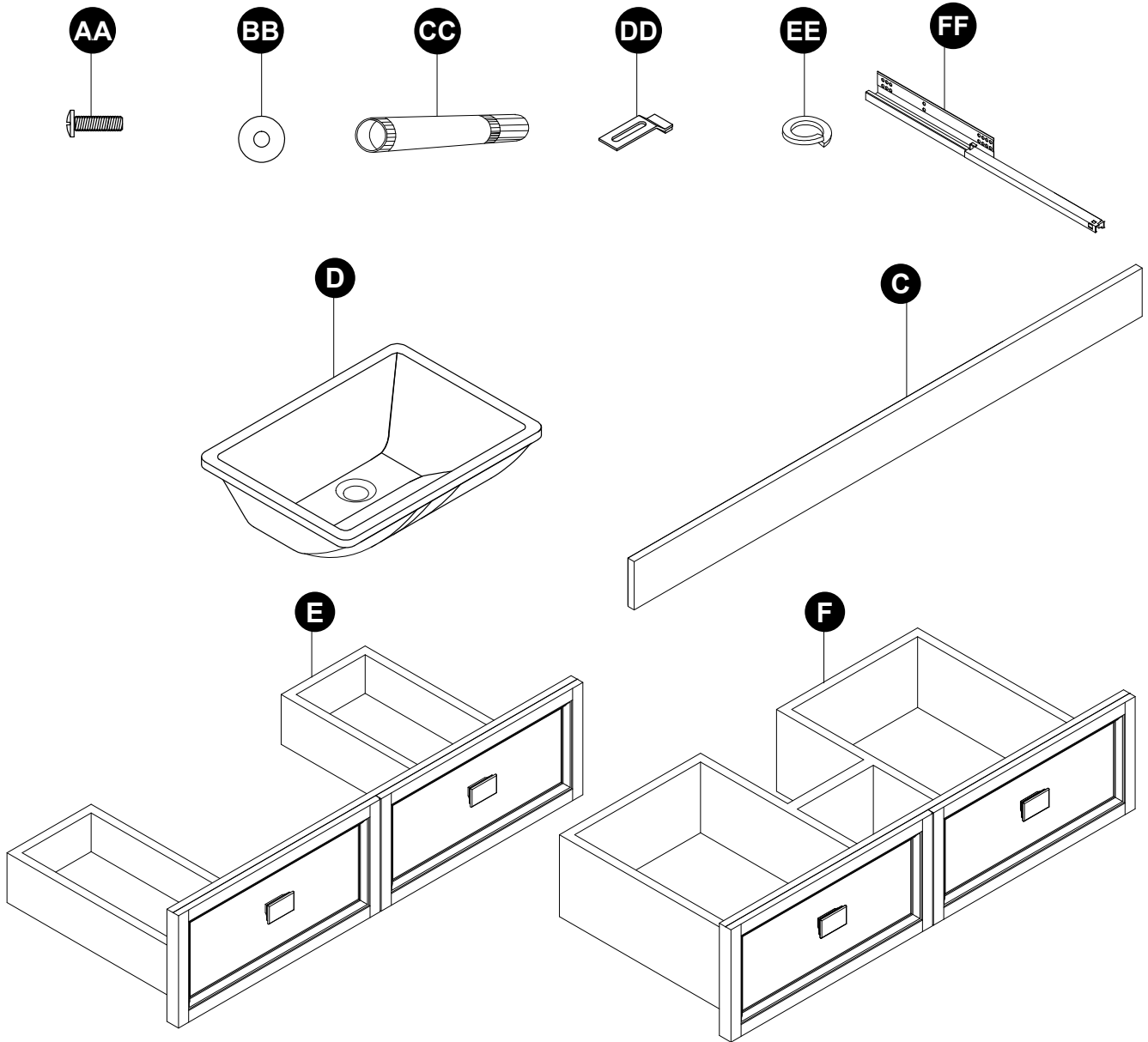
For replacement parts, call our customer service department at 1-855-571-1044, 9 a.m. - 5 p.m., EST, Monday - Friday.



PART	DESCRIPTION	PART #
C	Backsplash	PU17-36EW-BS
D	Sink	PU17-420*310-Rect-S
E	Top Drawer	1227VB-36-201-001
F	Bottom Drawer	1227VB-36-201-002
AA	Bolt	BTSET-2INx12
BB	Washer	BTSET-2INx12
CC	Touch Up Pen	OF-0010
DD	Sink Clamp	PU17-65x20-SB
EE	Lock Washer	BTSET-2INx12
FF	Drawer Glide	PU16-14x3-GS

REPLACEMENT PARTS FOR 1227VB-36-202

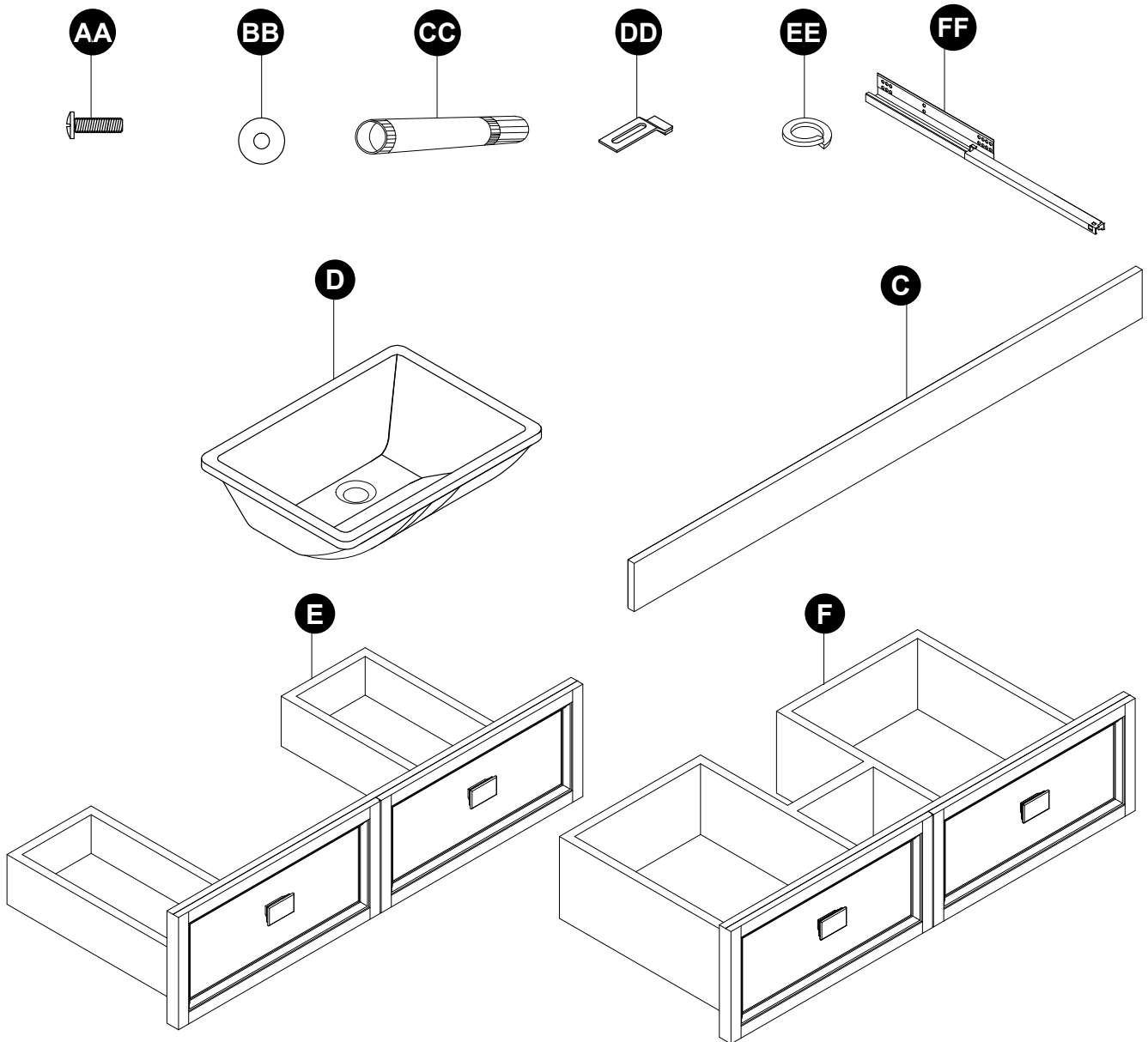
For replacement parts, call our customer service department at 1-855-571-1044, 9 a.m. - 5 p.m., EST, Monday - Friday.



PART	DESCRIPTION	PART #
C	Backsplash	PU17-36BGrte-BS
D	Sink	PU17-420*310-Rect-S
E	Top Drawer	1227VB-36-202-001
F	Bottom Drawer	1227VB-36-202-002
AA	Bolt	BTSET-2INx12
BB	Washer	BTSET-2INx12
CC	Touch Up Pen	W3350A
DD	Sink Clamp	PU17-65x20-SB
EE	Lock Washer	BTSET-2INx12
FF	Drawer Glide	PU16-14x3-GS

REPLACEMENT PARTS FOR 1227VB-36-240

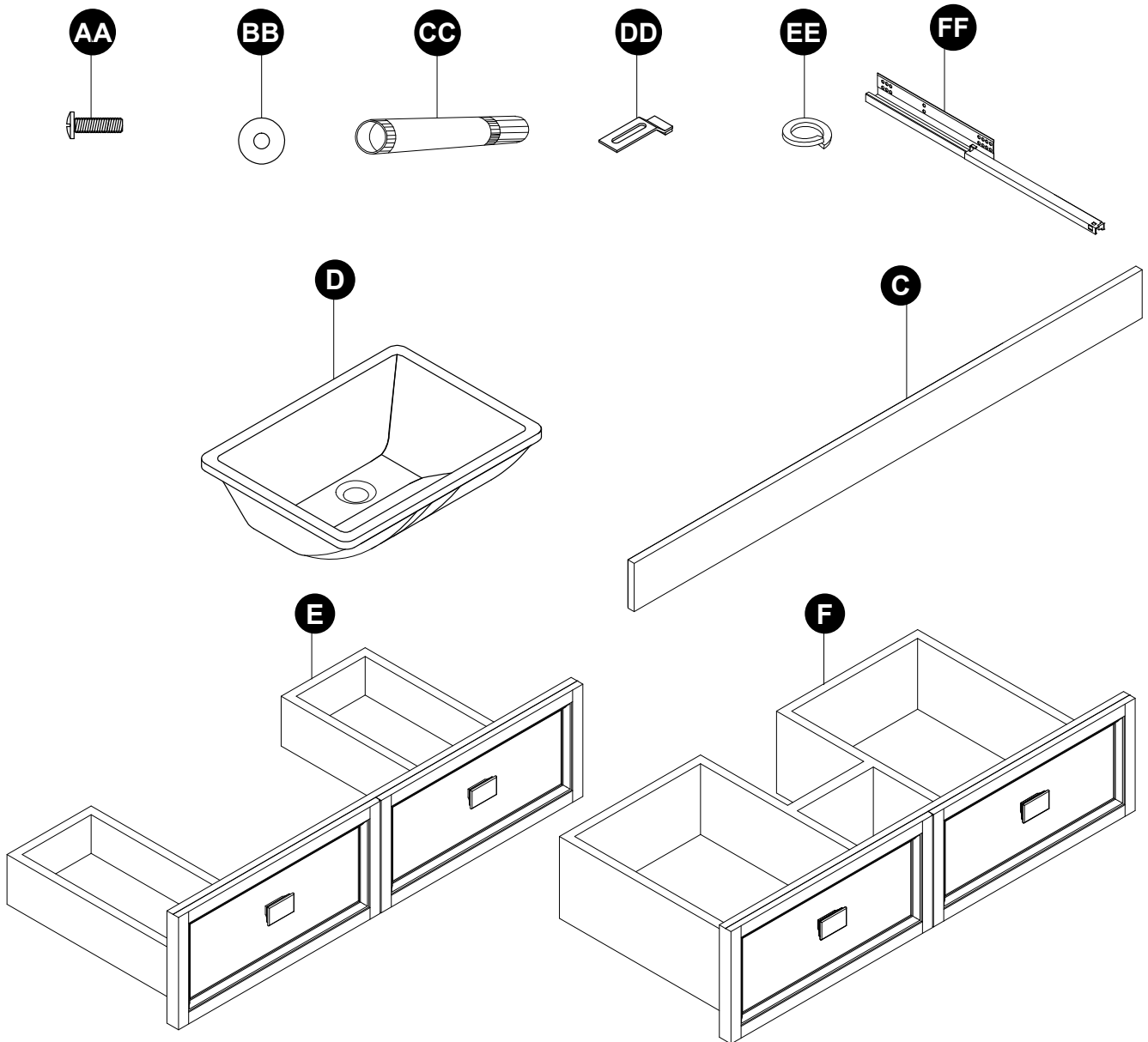
For replacement parts, call our customer service department at 1-855-571-1044, 9 a.m. - 5 p.m., EST, Monday - Friday.



PART	DESCRIPTION	PART #
C	Backsplash	PU17-36ECAR-BS
D	Sink	PU17-420*310-Rect-S
E	Top Drawer	1227VB-36-240-001
F	Bottom Drawer	1227VB-36-240-002
AA	Bolt	BTSET-2INx12
BB	Washer	BTSET-2INx12
CC	Touch Up Pen	OX-0180Y
DD	Sink Clamp	PU17-65x20-SB
EE	Lock Washer	BTSET-2INx12
FF	Drawer Glide	PU16-14x3-GS

REPLACEMENT PARTS FOR 1227VB-36-242

For replacement parts, call our customer service department at 1-855-571-1044, 9 a.m. - 5 p.m., EST, Monday - Friday.



PART	DESCRIPTION	PART #
C	Backsplash	PU17-36CAR-BS
D	Sink	PU17-420*310-Rect-S
E	Top Drawer	1227VB-36-242-001
F	Bottom Drawer	1227VB-36-242-002
AA	Bolt	BTSET-2INx12
BB	Washer	BTSET-2INx12
CC	Touch Up Pen	OF-0120R
DD	Sink Clamp	PU17-65x20-SB
EE	Lock Washer	BTSET-2INx12
FF	Drawer Glide	PU16-14x3-GS