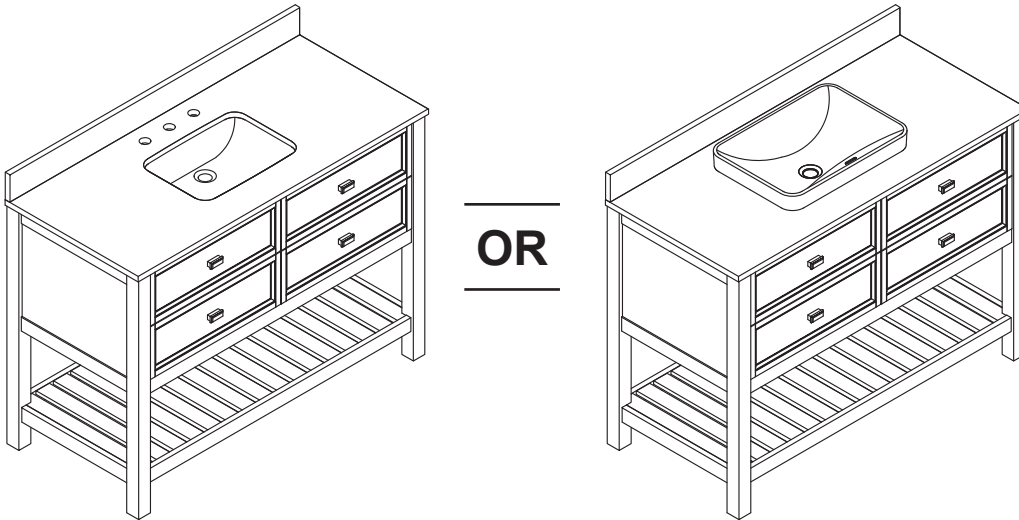


welcoming • sophisticated • inspiring



MODEL NUMBER	DESCRIPTION
1227VB-48-201	48" White Finish Vanity Base
1227VB-48-202	48" Mahogany Finish Vanity Base
1227VB-48-240	48" Black Birch Finish Vanity Base
1227VB-48-242	48" Light Grey Finish Vanity Base
3500VT-48-900	3500-48" Carrara Marble Top with Backsplash
3500VT-48-901	3500-48" Engineered White Top with Backsplash
2500VT-48-900	48" Carrara Marble Top with Backsplash
2500VT-48-901	48" Engineered White Top with Backsplash
2500VT-48-903	48" Engineered Carrara Top with Backsplash
2500VT-48-904	48" Black Granite Top with Backsplash
2500VT-48-905	48" Terrazzo Top with Backsplash
PU17-18x14-SQUARE	Standard Undermount Sink
SN047B	Semi-recessed Sink

VANITY WITHOUT TOP

MODEL #1227VB-48-201; 1227VB-48-202;
1227VB-48-240; 1227VB-48-242

ATTACH YOUR RECEIPT HERE

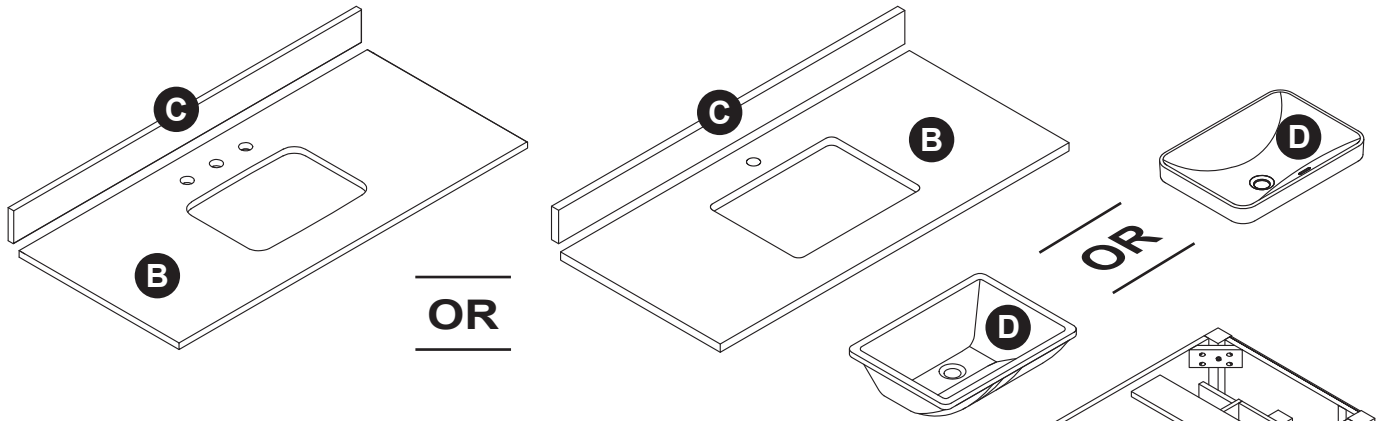
Serial Number _____ Purchase Date _____

Questions, problems, missing parts? Before returning to your retailer, call our customer service department at 1-866-439-9800, 8 a.m. - 8 p.m., EST, Monday - Sunday.

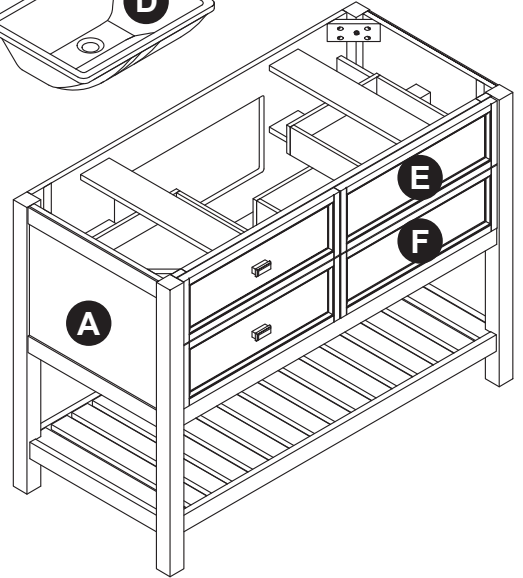
TABLE OF CONTENTS

Package Contents.....	3
Hardware Contents.....	3
Safety Information.	3
Preparation	4
Assembly or Installation Instructions	4
Care and Maintenance	7
Warranty	7
Replacement Parts List	8

PACKAGE CONTENTS



PART	DESCRIPTION	QUANTITY	CARTON
A	Vanity	1	Box 2 of 3
B	Top	1	Box 1 of 3
C	Backsplash	1	
D	Sink	1	Box 3 of 3
E	Top Drawer (preassembled to Vanity(A))	1	Box 2 of 3
F	Bottom Drawer (preassembled to Vanity(A))	1	



HARDWARE CONTENTS (NOT SHOWN ACTUAL SIZE)

CC



Touch Up Pen
Qty.1

JJ



Allen Wrench
Qty.1

SAFETY INSTRUCTIONS

Please read and understand this entire manual before attempting to assemble, operate or install the product.

WARNING

- Some steps are more easily handled with 2 adults.

CAUTION

- Use care when assembling the vanity; take your time and follow the assembly instructions closely.

KEEP THESE INSTRUCTIONS FOR FUTURE REFERENCE.

PREPARATION

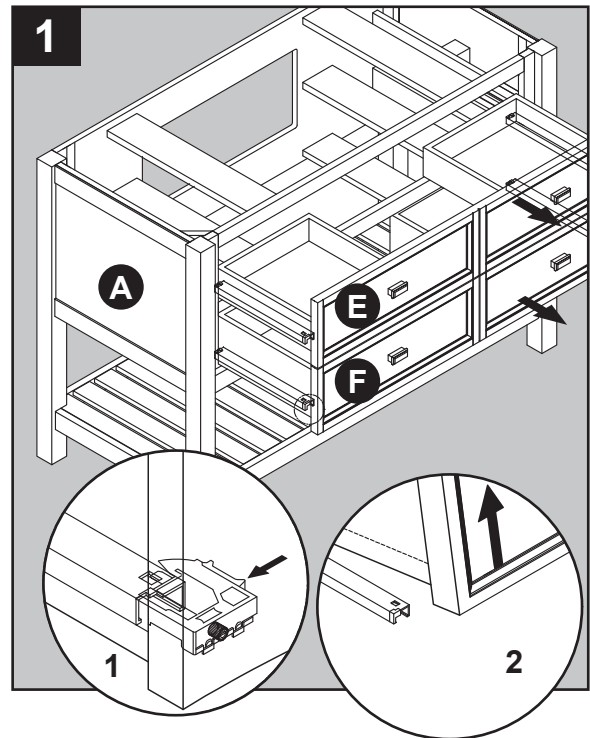
Before beginning assembly of product, make sure all parts are present. Compare parts with package contents list and hardware contents list. If any part is missing or damaged, do not attempt to assemble the product.

Estimated Installation Time: 45 minutes (24 hours for silicone caulk to dry).

Tools Required for Installation (not included): Phillips screwdriver, utility knife or scissors, silicone caulk, power drill with drill bit, measuring tape, level

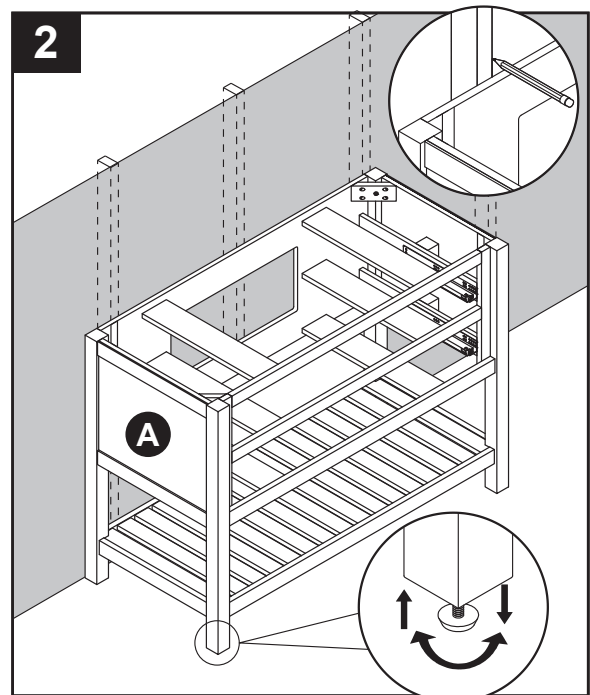
INSTALLATION INSTRUCTIONS

1. To remove drawers (E,F) from vanity base (A), fully extend drawers and locate the plastic levers on left and right sides of the metal glide tracks. Push the plastic levers, on both sides, at the same time, This will disengage the drawer box from the glides. Gently lift up on the drawer to remove it from the glide tracks. Set aside as these will be re-installed.



Note: The vanity (A) is preassembled for easy installation purpose. But the assembly might become loss and unstable after transportation. Please use the allen wrench (JJ) (Included in the hardware bag) to tighten all the bolts on the inside of the legs and shelf before mounting it to the wall.

2. Clean area where the vanity (A) will be permanently located prior to beginning installation, ensuring the vanity (A) will not interfere with any water supply and drain lines once mounted. Locate wall studs and mark locations. With the help of another adult, place completed Vanity Cabinet Assembly in its final location. Adjust the height of the Vanity Cabinet (A) by twisting the adjustable leveler foot pins on the bottom of each leg. Twist clockwise to decrease height or twist counter-clockwise to increase vanity height.

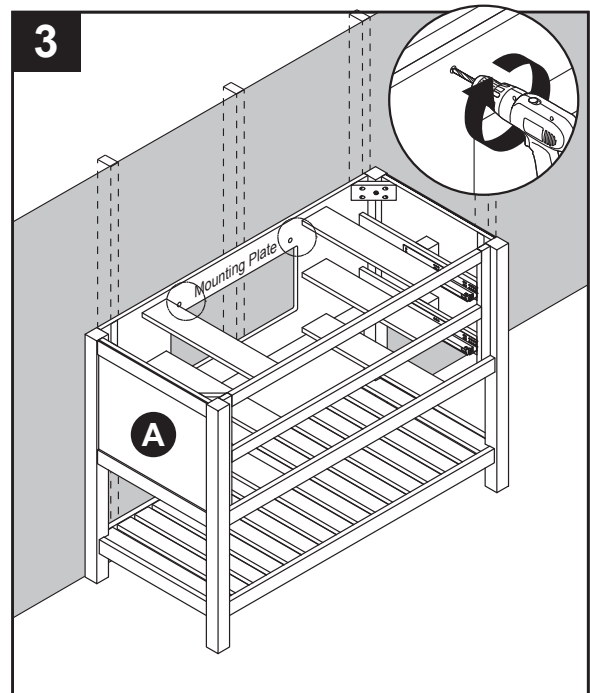


INSTALLATION INSTRUCTIONS

- Using hardware appropriate for your wall type (not included), secure Vanity Cabinet (A) to two wall studs anywhere through the Vanity Mounting Plates. Be careful not to disturb any electrical or water lines that may be concealed in the wall.

WARNING

Vanity (A) **MUST** be secured to the wall.



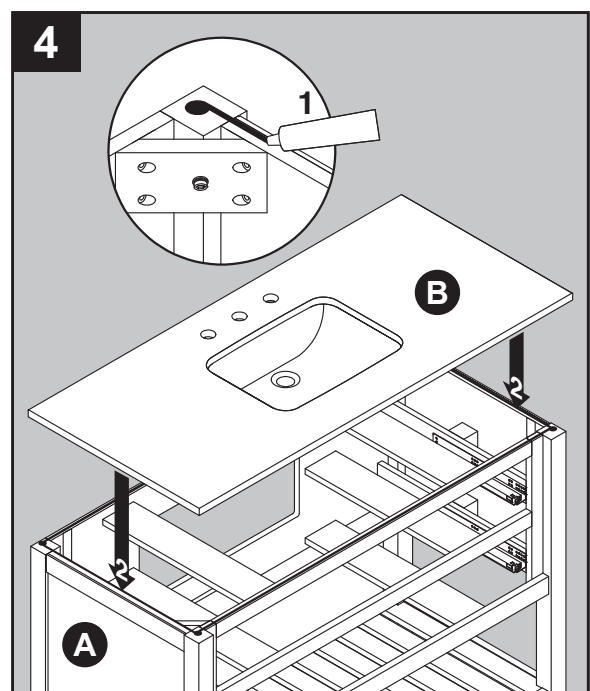
At this time, if the vanity purchased has an undermount sink, use the Instruction Manual, located in the box with the vanity top (B) to install the sink bowl (D) to the vanity top before moving to Step 4.

If the vanity purchased has a semi-recessed sink proceed to Step 4. The semi-recessed sink bowl (D) will be installed after the vanity top (B) is attached to the vanity base (A).

Helpful tip: it may be easier to install your choice of faucet (not included) before securing the vanity top (B) to vanity base (A).

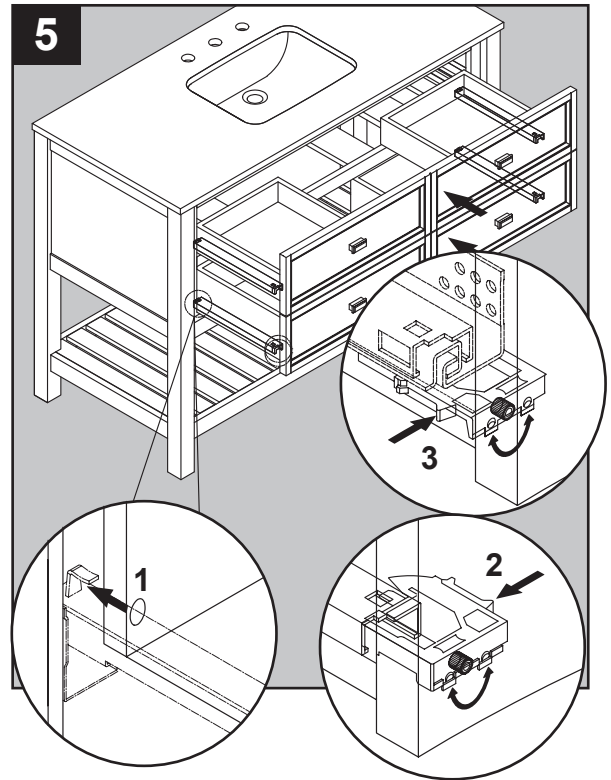
- To install the Top (B) to the vanity (A). Apply silicone caulk to the top edge of the wood cabinet. With the help of another adult, gently lower the stone top with assembled sink onto the cabinet. Make sure the stone top is flush with the back side of the wood cabinet and the stone overhang is equal on both sides over the wood cabinet left and right side walls. Remove any excess caulk before allowing to dry.

At this time, if the vanity purchased has a semi-recessed sink, use the Instruction Manual, located in the box with the vanity top (B) to install the sink bowl (D) to the vanity top.

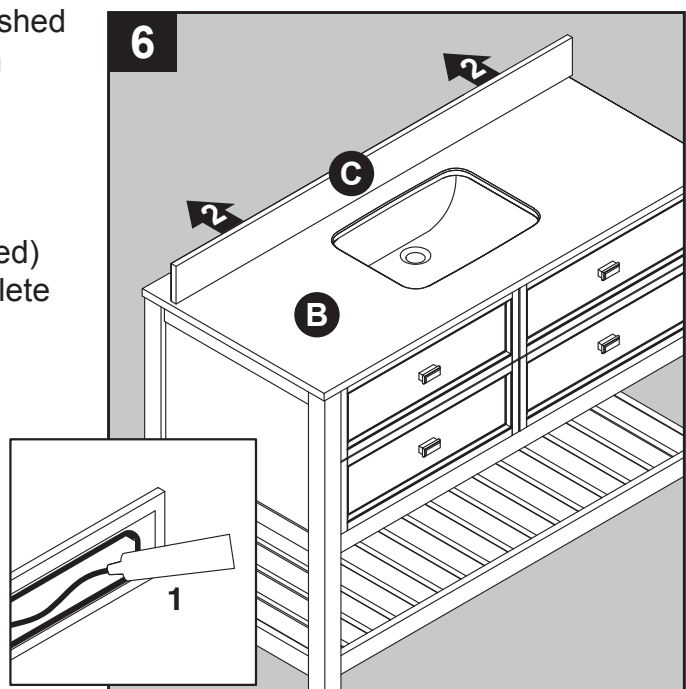


INSTALLATION INSTRUCTIONS

5. To re-install top drawer (E) and bottom drawer (F). Fully extend lower drawer glide tracks. With the help of another adult, hold the extended glide in one hand and the drawer in the other. Gently place the back of the drawer box into the metal hook located on the back of the drawer track. Once the glide hook has been slide into the hole in the back of the drawer box, gently lower the drawer box down onto the extended glide tracks. At the same time depress both of the glide handles and allow the drawer box to fully rest on the glide tracks. Test to see if the drawer box is fully engaged. If the drawer box can still be lifted off the glide track then start again from the beginning. Never force anything or else damage to the drawer or glide hardware could result. Repeat for remaining drawers. The drawers location can be adjusted slightly up or down by twisting the adjuster knob next to the glide handles.



6. Apply silicone caulk (not included) to unpolished side and bottom of backsplash (C). Position backsplash (C) on top (B) and against wall. Clean any excess caulk before allowing to dry. Assembly is now complete. Install desired faucet and drain assemblies (neither included) per the manufacturers' instructions to complete the installation.



CARE AND MAINTENANCE

- Dust the vanity regularly with a soft, non-lint producing cloth or household dusting product.
- You can clean the vanity with a gentle, non-abrasive household cleaner.
- Make sure to dry the wood immediately with a soft cloth or towel.
- The ceramic sink can be cleaned using standard ceramic cleaning agents available at your local supplier.
- Tips for using touch-up pen (CC): For scratches, stroke in direction of scratch; for worn areas, stroke in direction of wood grain. Rub off excess colorant promptly with a soft cloth.

IMPORTANT

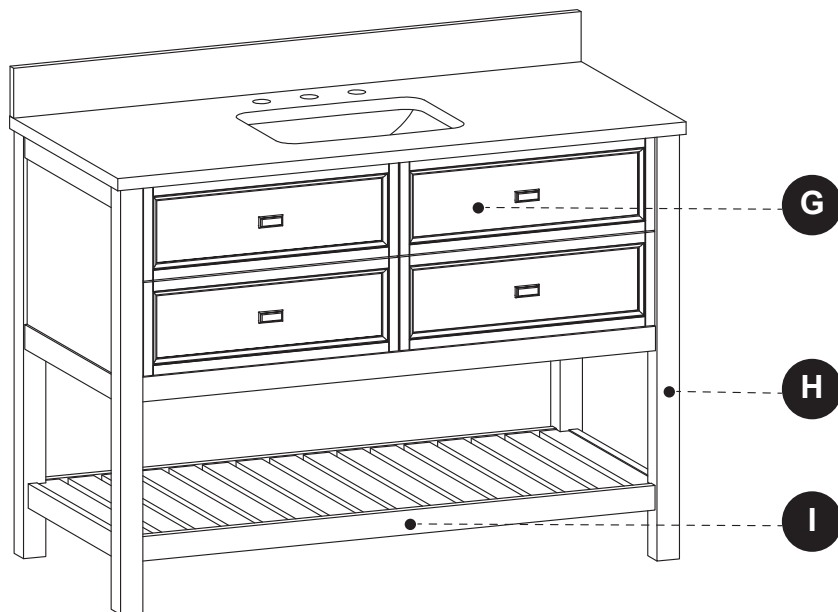
- Shade variations and patterns are an inherent characteristic of stone (e.g. granite, marble, engineered stone). Stone tops will vary from product to product. Use caution placing items such as soap or any fragranced material on the stone surface. Use a soap dish, coaster or similar item to protect the surface if placing any soap or fragranced products on the stone.
- If soap or fragranced products come in contact with the stone top, rinse the surface with water and dry using a soft non-abrasive cloth.
- **WARNING:** Must use cleaning agents safe for stone. Check your cleaning agents use restrictions before using on any stone. Damage to the stone may result. Vanity Manufacturer not responsible for damage caused by improper cleaning agents or soaps used. Warranty will not cover damage caused by the use of improper soaps or cleaning agents.
- **DO NOT** use products to clean the stone top that contain acetone, lemon, vinegar or other acids as these may cause damage to the stone surface.
- Periodically reseal the stone top using an appropriate stone sealer available from your local home store. Follow the manufacturer's directions on how to apply.

WARRANTY

The manufacturer warrants this item against defects in materials and workmanship for a period of one (1) year from the date of original retail purchase. This warranty applies only to the original purchaser. This warranty does not apply to any damage on the product by accident, misuse, or modified, improper installation or by affixing accessories not produced by the manufacturer. The manufacturer will not be held liable for damages caused from cleaners or soaps that etch or stain the stone top. The manufacturer is not accountable whatsoever for product installation during the warranty period. There is no further expressed warranty. The manufacturer shall not be legally responsible for incidental, consequential or special damages arising at or in connection with product use or performance except as may otherwise be accorded by law. The manufacturer disclaims any and all implied warranties.

REPLACEMENT PARTS FOR 1227VB-48-201

For replacement parts, call our customer service department at 1-866-439-9800, 8 a.m. - 8 p.m., EST, Monday - Sunday.



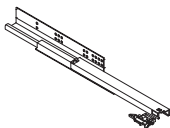
CC

FF

GG

HH

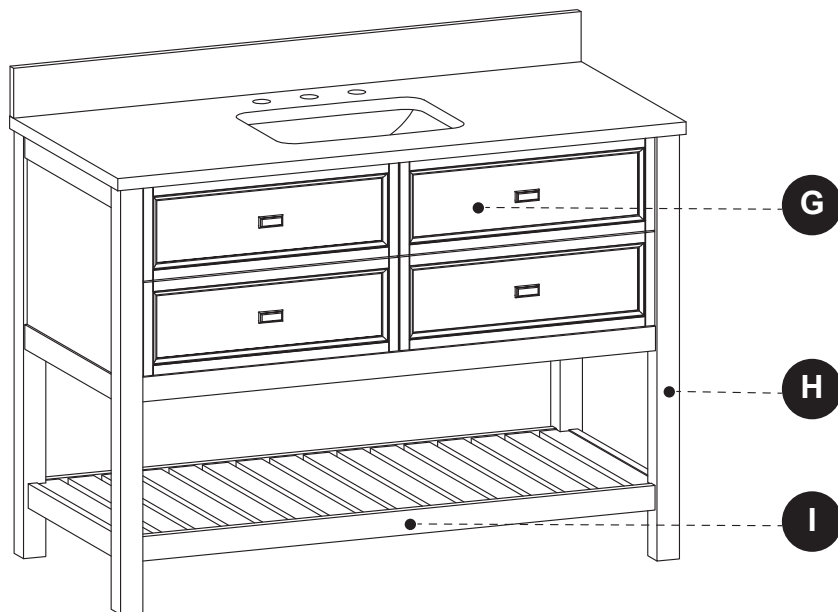
JJ



PART	DESCRIPTION	PART #
G	Drawer Front	1227VB-48-201-001
H	Leg	PU17-1227-201-LEG
I	Shelf	1227VB-48-201-002
CC	Touch Up Pen	OF-0010
FF	Drawer Glide	PUDTC-14x3-Handle
GG	Drawer Handle	CF-32-003-BN
HH	Leveler	T-1007
JJ	Allen Wrench	PU16-5-AW

REPLACEMENT PARTS FOR 1227VB-48-202

For replacement parts, call our customer service department at 1-866-439-9800, 8 a.m. - 8 p.m., EST, Monday - Sunday.



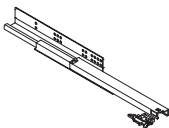
CC

FF

GG

HH

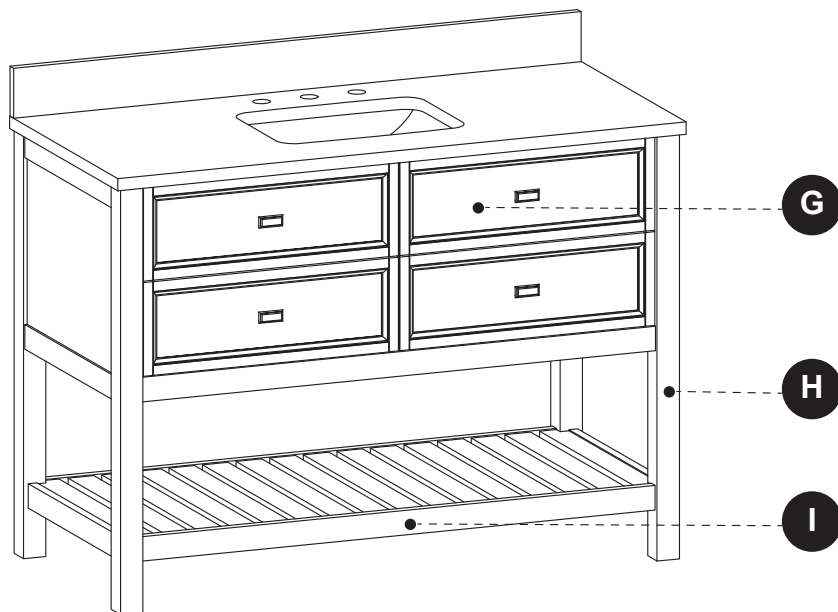
JJ



PART	DESCRIPTION	PART #
G	Drawer Front	1227VB-48-202-001
H	Leg	PU17-1227-202-LEG
I	Shelf	1227VB-48-202-002
CC	Touch Up Pen	W3350A
FF	Drawer Glide	PUDTC-14x3-Handle
GG	Drawer Handle	CF-32-003-BN
HH	Leveler	T-1007
JJ	Allen Wrench	PU16-5-AW

REPLACEMENT PARTS FOR 1227VB-48-240

For replacement parts, call our customer service department at 1-866-439-9800, 8 a.m. - 8 p.m., EST, Monday - Sunday.



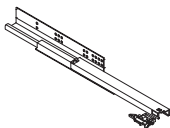
CC

FF

GG

HH

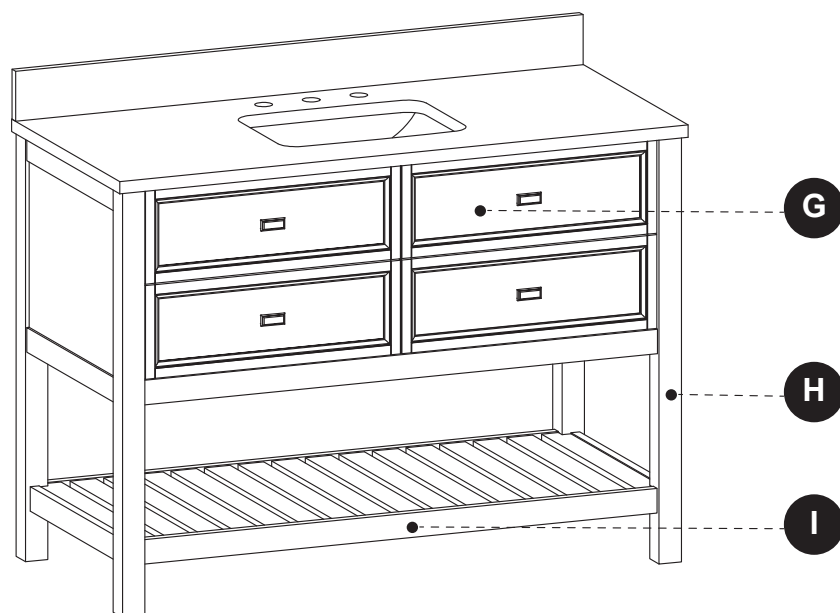
JJ



PART	DESCRIPTION	PART #
G	Drawer Front	1227VB-48-240-001
H	Leg	PU17-1227-240-LEG
I	Shelf	1227VB-48-240-002
CC	Touch Up Pen	OX-0180Y
FF	Drawer Glide	PUDTC-14x3-Handle
GG	Drawer Handle	CF-32-003-BN
HH	Leveler	T-1007
JJ	Allen Wrench	PU16-5-AW

REPLACEMENT PARTS FOR 1227VB-48-242

For replacement parts, call our customer service department at 1-866-439-9800, 8 a.m. - 8 p.m., EST, Monday - Sunday.



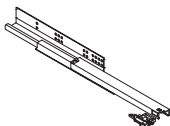
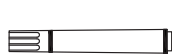
CC

FF

GG

HH

JJ



PART	DESCRIPTION	PART #
G	Drawer Front	1227VB-48-242-001
H	Leg	PU17-1227-242-LEG
I	Shelf	1227VB-48-242-002
CC	Touch Up Pen	OF-0120R
FF	Drawer Glide	PUDTC-14x3-Handle
GG	Drawer Handle	CF-32-003-BN
HH	Leveler	T-1007
JJ	Allen Wrench	PU16-5-AW