

SCOTT
LIVING

TM

Media Mantel with 33-IN Infrared Electric Fireplace

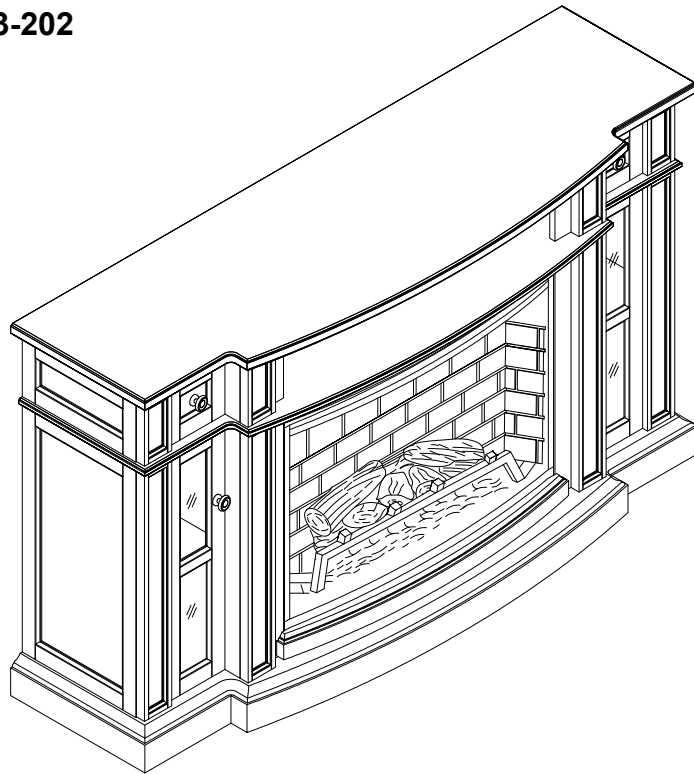
Français p. 19

Español p. 38

ASSEMBLY, CARE & USE INSTRUCTIONS

MODEL # 1317FM-33-202

ITEM # 1031288



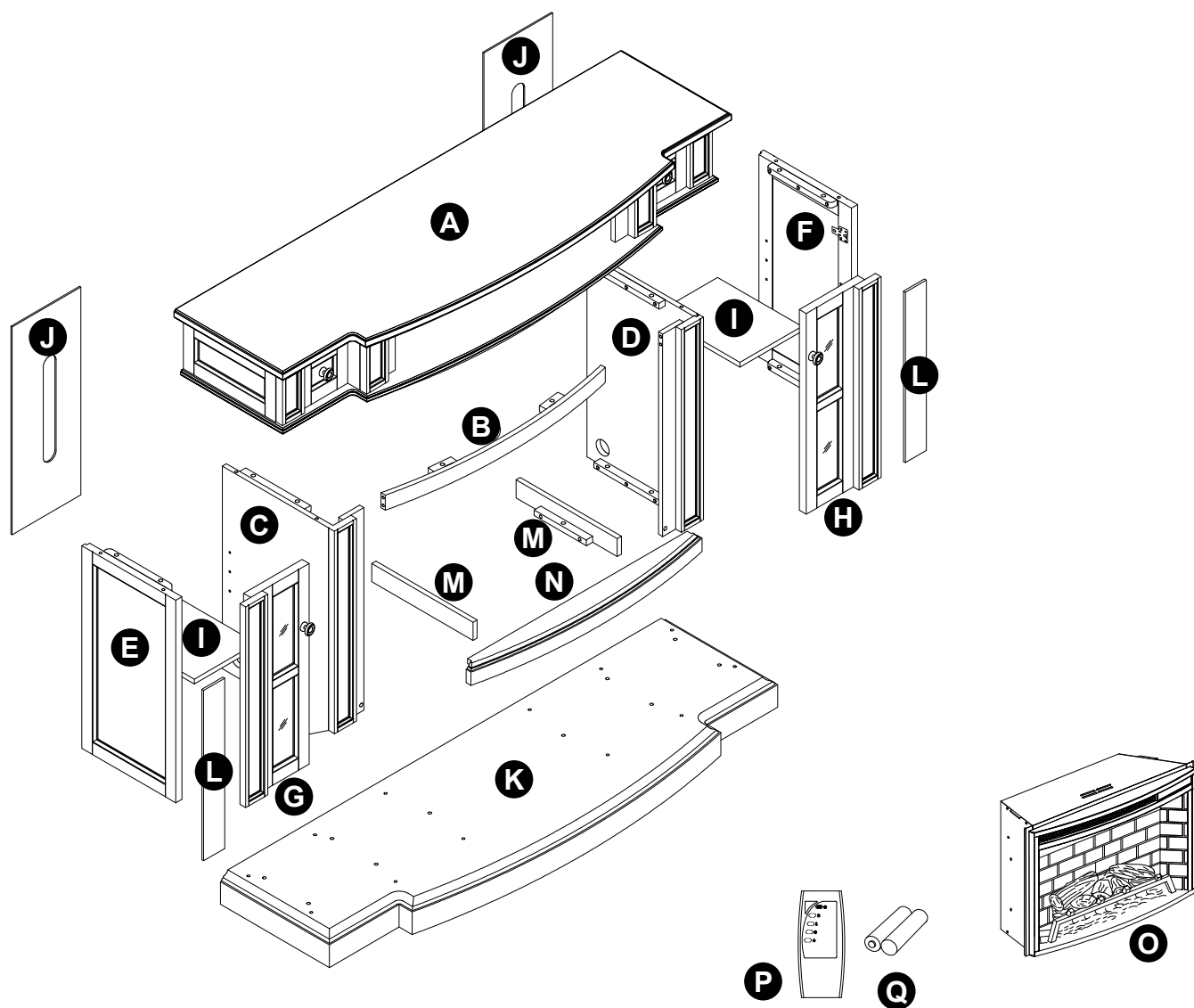
Date Purchased _____

Questions, problems, missing parts?

Before returning to your retailer,
call our customer service department at
1-855-571-1044 9 a.m. - 5 p.m., EST, Monday - Friday
www.greentouchhome.com

Greentouch

PACKAGE CONTENTS



PART	DESCRIPTION	QUANTITY
A	Top	1
B	Center Panel	1
C	Left Middle Wall	1
D	Right Middle Wall	1
E	Left Outer Wall	1
F	Right Outer Wall	1
G	Left Door (with hinges)	1
H	Right Door (with hinges)	1
I	Shelf	2
J	Back Panel	2

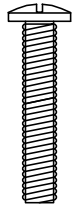
PART	DESCRIPTION	QUANTITY
K	Base	1
L	Wood Door Panel	2
M	Insert Brace	2
N	Front Trim	1
O	Insert	1
P	Remote Control	1
Q	Battery	2

HARDWARE CONTENTS (NOT SHOWN ACTUAL SIZE)

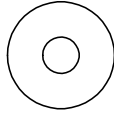
AA



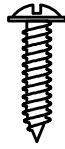
BB



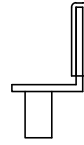
CC



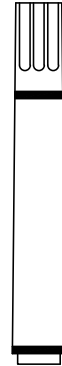
DD



EE



FF



PART	DESCRIPTION	QUANTITY
AA	Wood Dowel	24
BB	Long Bolt	22
CC	Washer	22
DD	Back Panel Screw	20
EE	Shelf Pin	8
FF	Touch-up Pen	1

IMPORTANT INSTRUCTIONS

When using electrical appliances, basic precautions should always be followed to reduce the risk of fire, electric shock and injury to persons, including the following:

! DANGER

- Read all instructions before using this heater.
- If the information in this manual is not followed exactly, an electric shock or fire may result causing property damage, personal injury or loss of life.
- This product is intended to fit most Plasma and LCD televisions (up to 80 inches and weighing a maximum of 125 pounds). Using this item with loads heavier than the stated maximum can result in tipping and/or instability, which can result in injury or even death.

! WARNING

- This appliance is hot when in use. To avoid burns, **DO NOT** let bare skin touch hot surfaces. Keep combustible material, such as furniture, pillows, bedding, papers, clothes and curtains at least 3 feet from this appliance and keep them away from the sides and rear.
- Extreme caution is necessary when any heater is used by or near children or individuals with disabilities and whenever the fireplace is left operating and unattended.
- **DO NOT** run cord under carpeting. **DO NOT** cover cord with throw rugs, runners, or similar coverings. **DO NOT** route cord under furniture or appliances. Arrange cord away from traffic areas and where it will not be tripped over.
- **DO NOT** insert or allow foreign objects to enter any ventilation or exhaust opening as this may cause an electric shock or fire, or damage the appliance.
- This appliance has hot and arcing or sparking parts inside. **DO NOT** use it in areas where gasoline, paint or flammable vapors or liquids are used or stored. This fireplace should not be used as a drying rack for clothing. Christmas stockings or decorations should not be hung in the area of it.

Use this appliance only as described in the manual. Any other use is **NOT** recommended by the manufacturer and may cause fire, electric shock or injury to persons.

CAUTION

- If possible, **ALWAYS** unplug this appliance when not in use.
- **DO NOT** operate any heater with a damaged cord or plug or after the heater malfunctions. **DO NOT** operate any heater if it has been dropped or damaged in any manner. Disconnect power at service panel and have heater inspected by a reputable electrician before reusing.
- Any repairs to this fireplace should be carried out by a qualified service person.
- Under no circumstances should this fireplace be modified. Parts having to be removed for servicing must be replaced prior to operating this fireplace again.
- **DO NOT** use outdoors.
- This heater is not intended for use in bathrooms, laundry areas and similar indoor locations. **NEVER** place heater where it may fall into a bathtub or other water container.
- To disconnect this appliance, turn controls to the off position, then remove plug from outlet.
- **ONLY** connect to properly grounded outlets.
- This appliance, when installed, must be electrically grounded in accordance with local codes, with the current CSA C22.1 Canadian Electrical Code or follow U.S.A. Installations, follow local codes and the National Electrical Code, ANSI/NFPA N0.70.

⚠ SAFETY INFORMATION (CONT'D)

- To prevent a possible fire, **DO NOT** block air intakes or exhaust in any manner. **DO NOT** use on soft surfaces, like a bed, where opening may become blocked.
- The heaters **MUST NOT** be located immediately below a socket-outlet.
- **ALWAYS** plug heaters directly into a wall outlet/receptacle. **NEVER** use with an extension cord or re-loadable power tap (outlet / power strip).
- **DO NOT** slide insert on top of wood to avoid scratching wood surface.
- **DO NOT** place any object on top of the insert or block the air intakes / vents as this can cause the unit to overheat and could cause a fire.

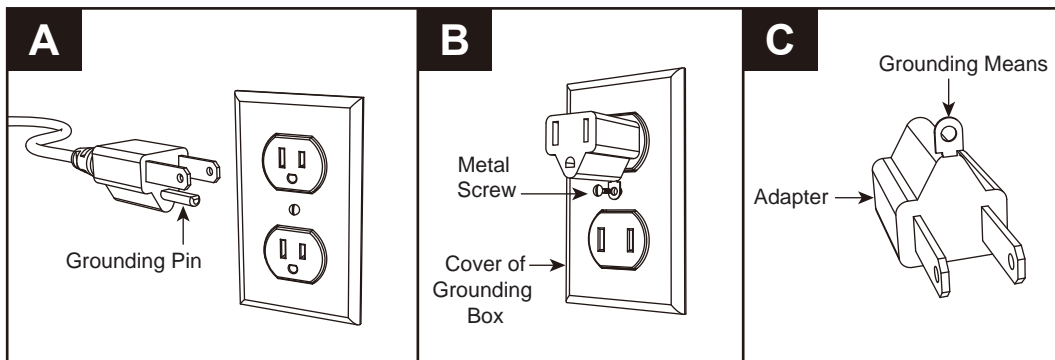
Electrical Connection

- A 15-Amp, 120-volt, 60 Hz circuit with a properly grounded outlet is required. Preferably, the fireplace will be on a dedicated circuit as other appliances on the same circuit may cause the circuit breaker to trip or the fuse to blow when the heater is in operation. The unit comes standard with 6-ft. three-wire cord, exiting from the rear of the fireplace. **DO NOT** exceed the current rating of the current tap.

Grounding Instruction

- This heater is for use on 120 volt. The cord has a plug as shown below. See illustration for grounding instruction. An adapter as shown at C is available for connecting three-blade grounding type plugs to two slot receptacles. The green grounding lug extending from the adapter must be connected to a permanent ground such as a properly grounded outlet box. The adapter should not be used if a three-slot grounded receptacle is available.

SAVE THESE INSTRUCTIONS



PREPARATION

Before beginning assembly of product, make sure all parts are present. Compare parts with package contents list and hardware contents list. If any part is missing or damaged, do not attempt to assemble the product.

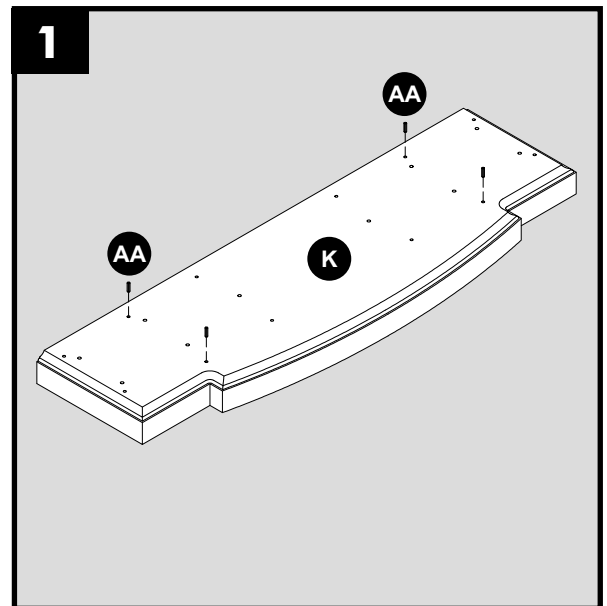
Estimated Assembly Time: 45 minutes
Tools Required for Assembly (not included):
Phillips screwdriver

ASSEMBLY INSTRUCTIONS

1. Insert two Wood Dowels (AA) into each side of Base (K).

Hardware Used

AA Wood Dowel  x 4

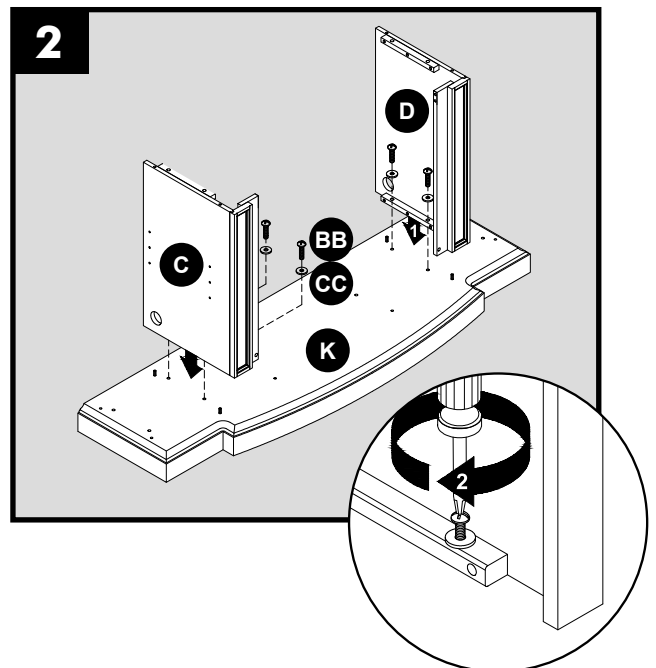


2. Place Left Middle Wall (C) and Right Middle Wall (D) onto Base (K), securing with four Washers (CC) and four Long Bolts (BB).

Hardware Used

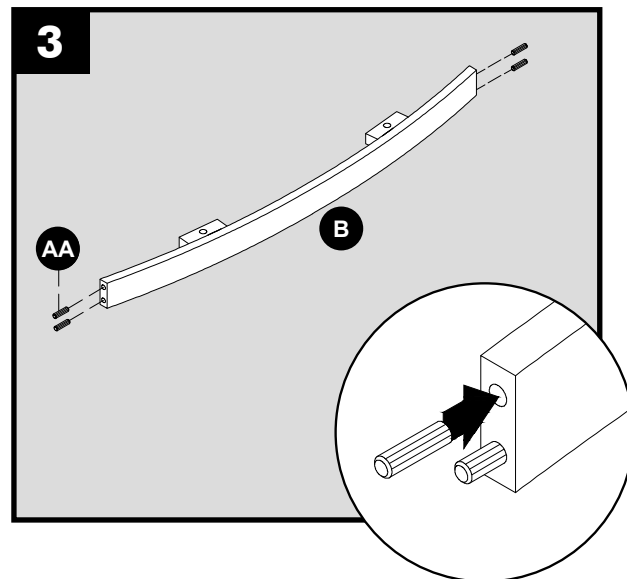
BB Long Bolt  x 4

CC Washer  x 4



ASSEMBLY INSTRUCTIONS (CONT'D)

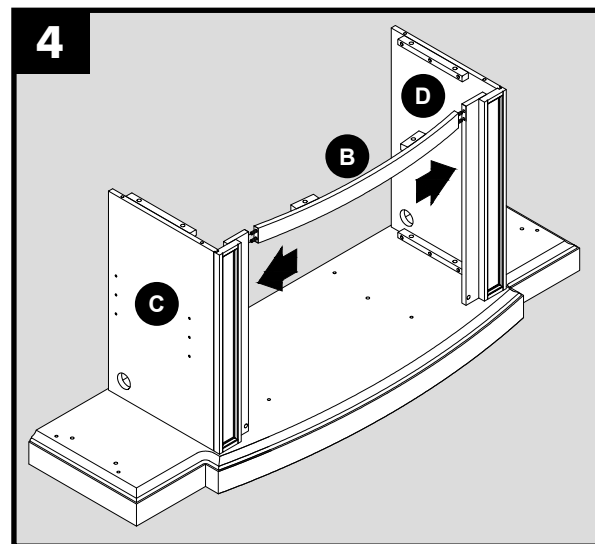
3. Insert two Wood dowels (AA) into each side of Center Panel (B).



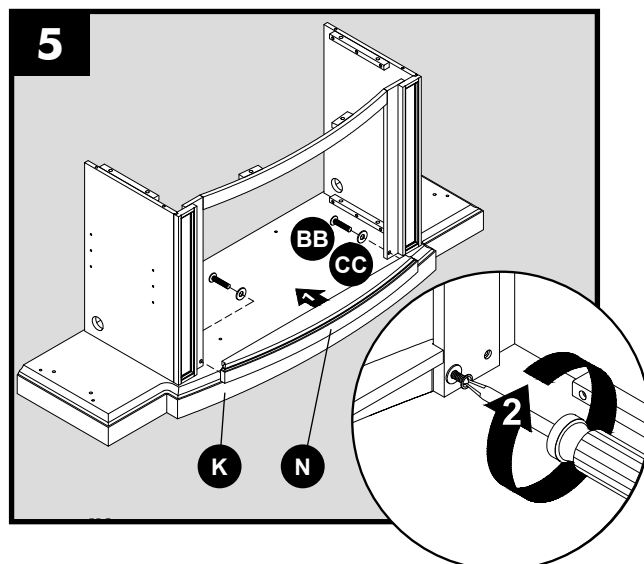
Hardware Used

- | | | | |
|-----------|------------|---|-----|
| AA | Wood Dowel |  | x 4 |
|-----------|------------|---|-----|


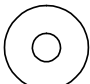
4. Align the dowels in Center Panel (B) to Left Middle Wall (C) and Right Middle Wall(D). Insert dowels into predrilled holes and press tight.



5. Place Front Trim (N) onto Base (K), secure with two Washers (CC) and two Long Bolts (BB).



Hardware Used

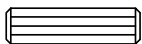

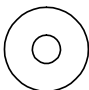
- | | | | |
|-----------|-----------|---|-----|
| BB | Long Bolt |  | x 2 |
| CC | Washer |  | x 2 |

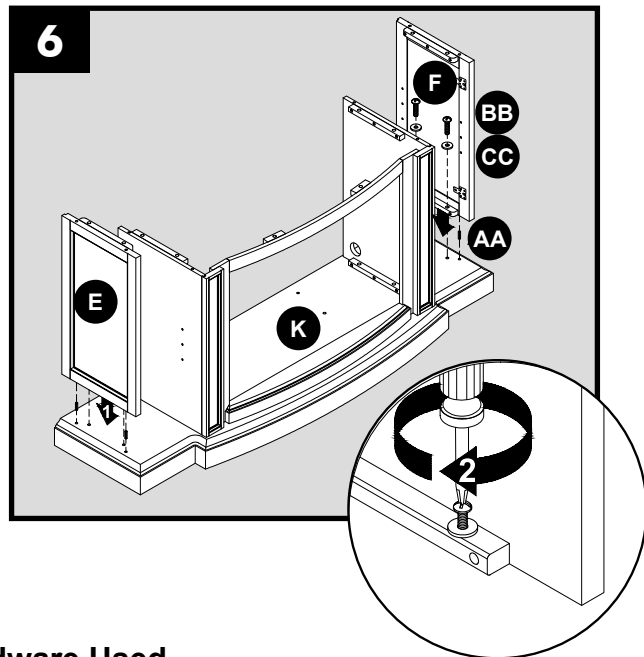
ASSEMBLY INSTRUCTIONS (CONT'D)

6. Insert two Wood Dowels (AA) into outer holes on right side of Base (K). Attach Right Outer Wall (F), securing with two Washers (CC) and two Long Bolts (BB).

Repeat for left Outer Wall (E).

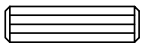

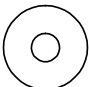
Hardware Used

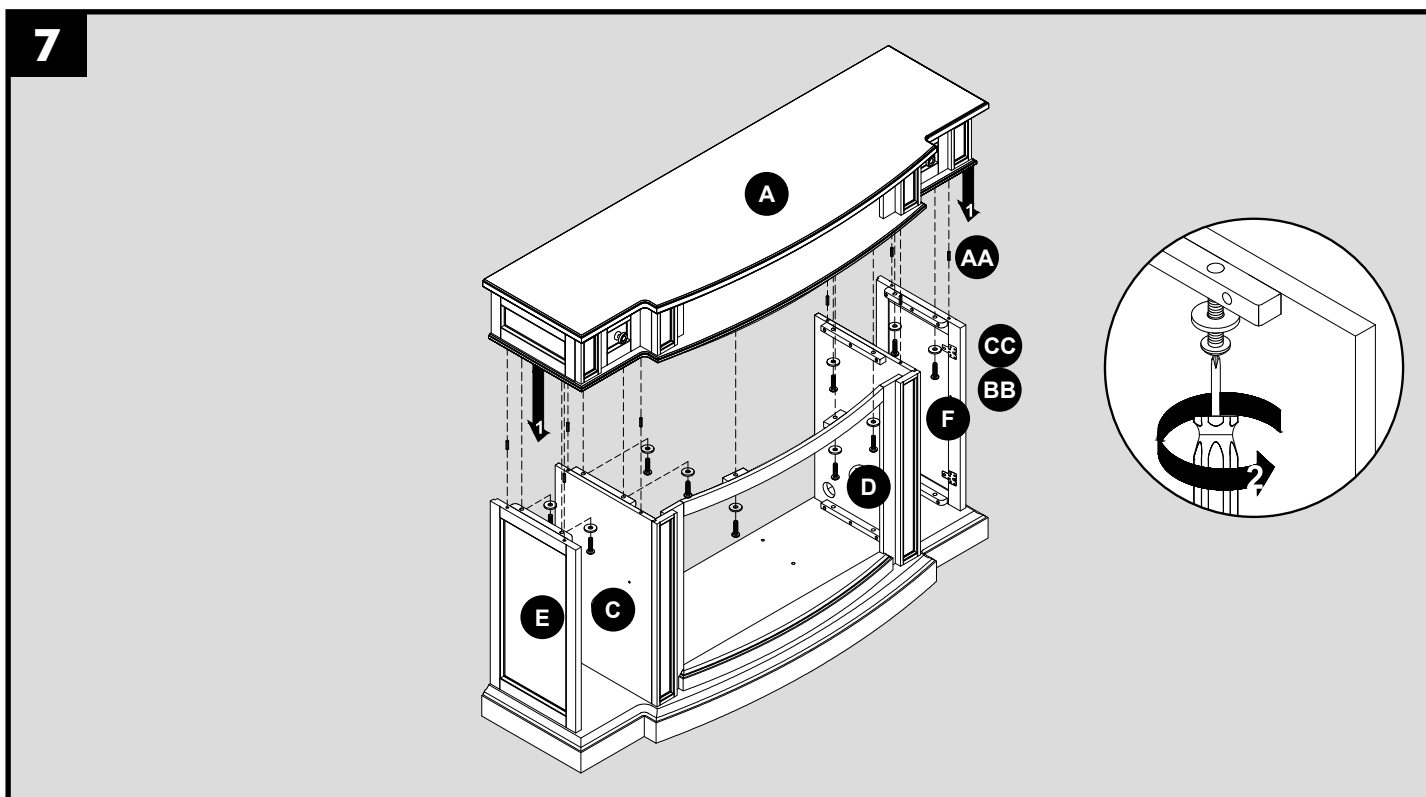
AA	Wood Dowel		x 4
BB	Long Bolt		x 4
CC	Washer		x 4



Hardware Used

7. Insert two Wood Dowels (AA) into the top outer holes on Left Outer Wall (E), Left Middle Wall (C), Right Middle Wall (D) and Right Outer Wall (F). Attach Top (A), securing from underneath with ten Washers (CC) and Long Bolts (BB).

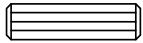

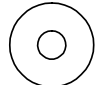
AA	Wood Dowel		x 8
BB	Long Bolt		x 10
CC	Washer		x 10

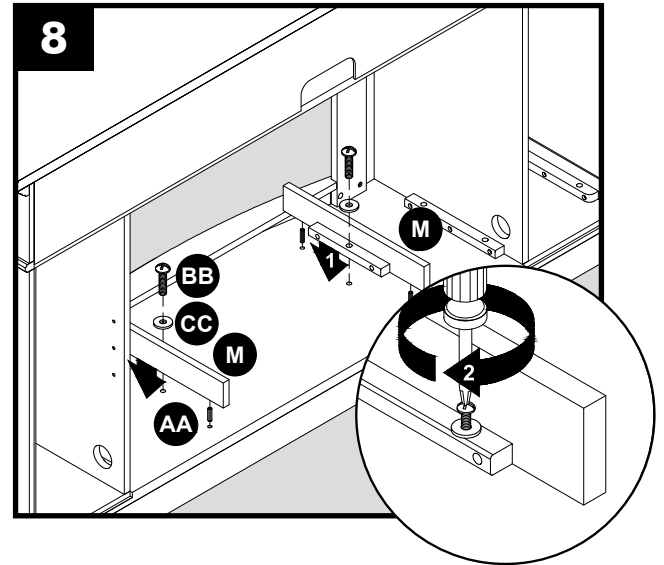


ASSEMBLY INSTRUCTIONS (CONT'D)

8. From behind the assembly, insert four Wood Dowels (AA) into Base (K), attach Insert Braces (M), secure with two Washers (CC) and Long Bolts (BB).

Hardware Used

AA	Wood Dowel		x 4
BB	Long Bolt		x 2
CC	Washer		x 2

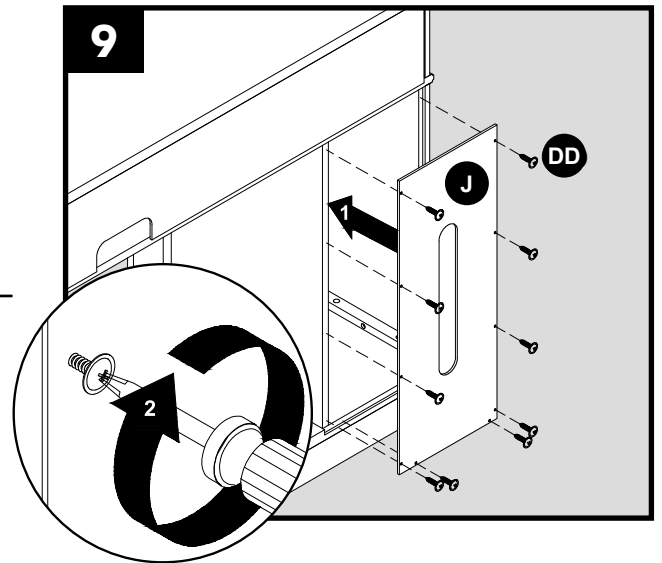


9. From behind the assembly, attach Back Panel (J) to shelving areas using Back Panel Screws (DD).

Repeat for remaining Back Panel (J).

Hardware Used

DD	Back Panel Screws		x 20
-----------	-------------------	---	------

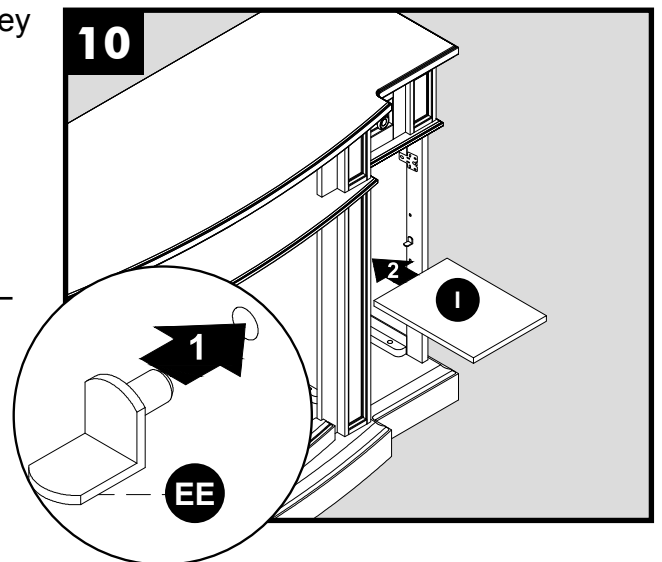


10. Insert Shelf Pins (EE) at desired height, ensuring they are level. Place Shelf (I) on top of Shelf Pins (EE).

Repeat for remaining the Shelf (I).

Hardware Used

EE	Shelf Pin		x 8
-----------	-----------	---	-----

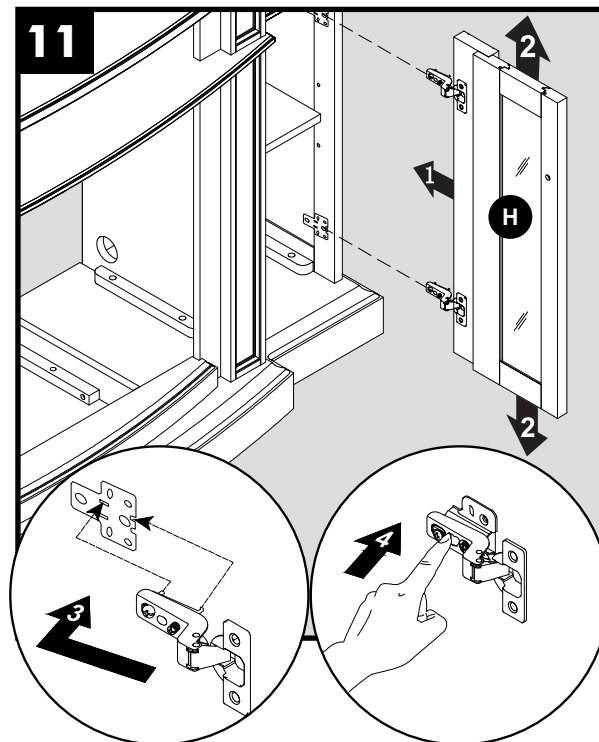


ASSEMBLY INSTRUCTIONS (CONT'D)

11. Hold the door and align the hinge body with the hinge plate mounted to the fireplace wall. Align and slide the hooks/catches on the hinge body into the recesses on the mounting plate while lightly pushing the door towards back of fireplace mantel. Then press on the back part of the hinge body until you hear it click into place. Repeat for other hinges.

To remove press the square button at the back of the hinge body to release the hinge from the mounting bracket. Unlock both hinges and pull the door away from the fireplace body.

NOTE: Use the pre-assembled levelers on the base of the fireplace to level the unit. Twist the levelers counter clockwise to increase the height, twist the clockwise to decrease the height.

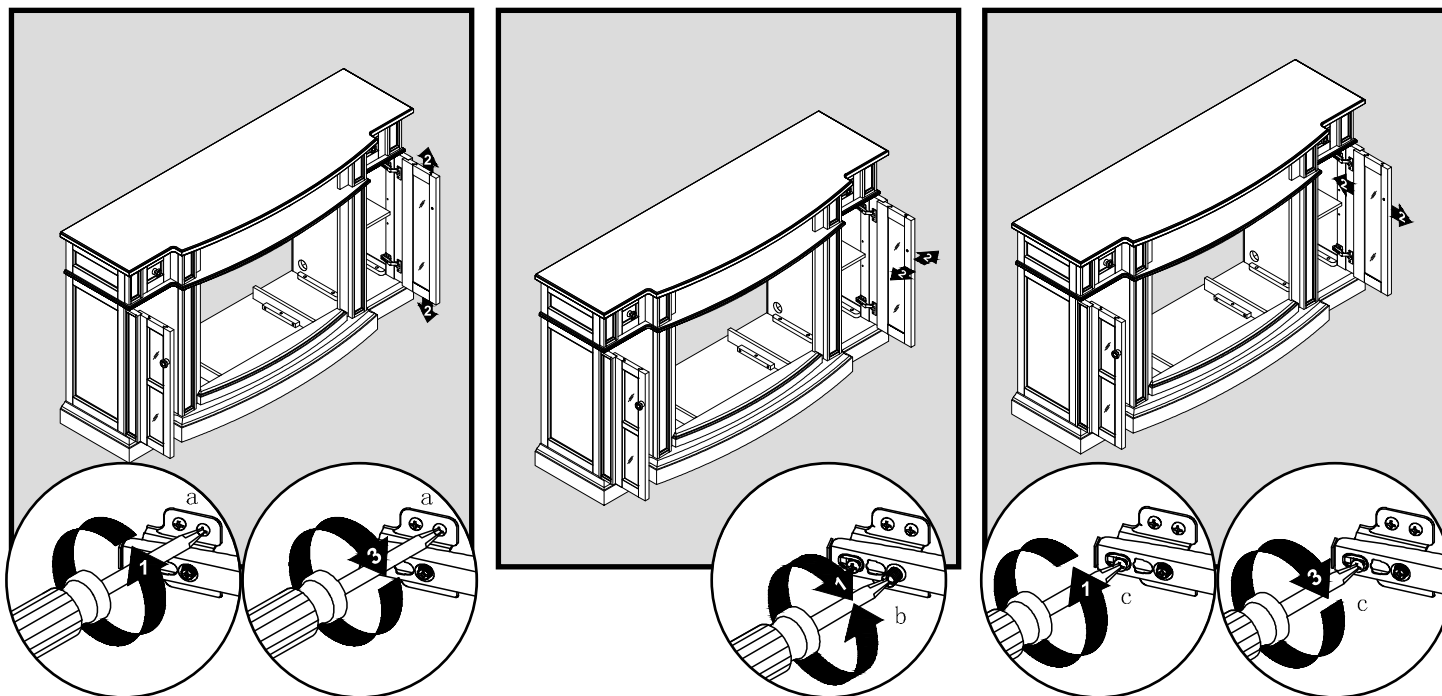


12. If you need to adjust the doors, do so in the following manner.

To adjust door up or down, loosen screws (a) on both hinges, adjust door, and retighten screws.

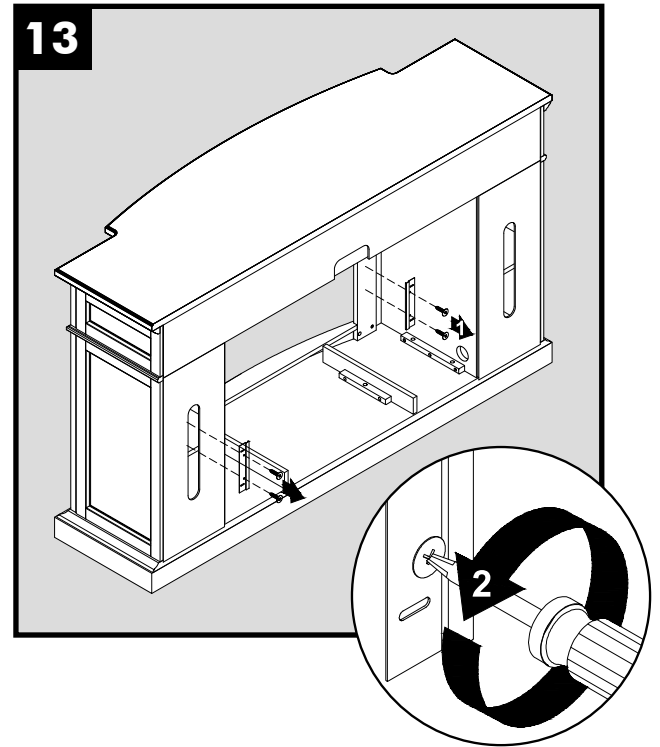
To adjust door left or right, turn screws (b) on both hinges, in or out.

To adjust door in or out, loosen screws (c) on both hinges, adjust door, and retighten screws.



ASSEMBLY INSTRUCTIONS (CONT'D)

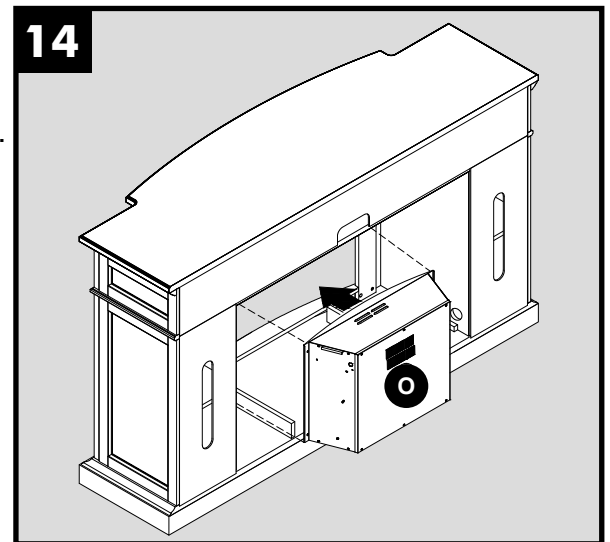
13. From behind the assembly, remove the preassembled insert brackets from the middle area. Save brackets and screws for future use.



14. With the help of another person, position the Insert (O) into opening of mantel assembly.

Note: DO NOT plug the Insert (O) into power outlet yet.

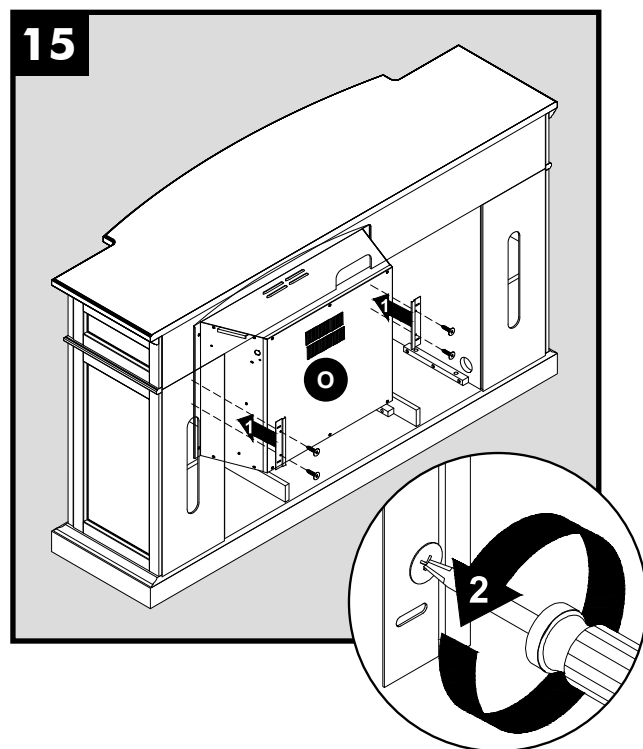
CAUTION: DO NOT slide the insert on top of wood to avoid scratching wood surface.



ASSEMBLY INSTRUCTIONS (CONT'D)

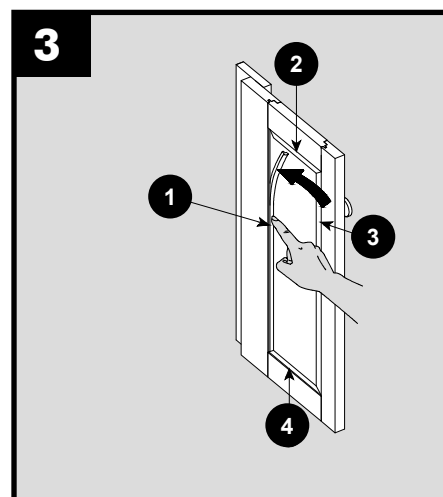
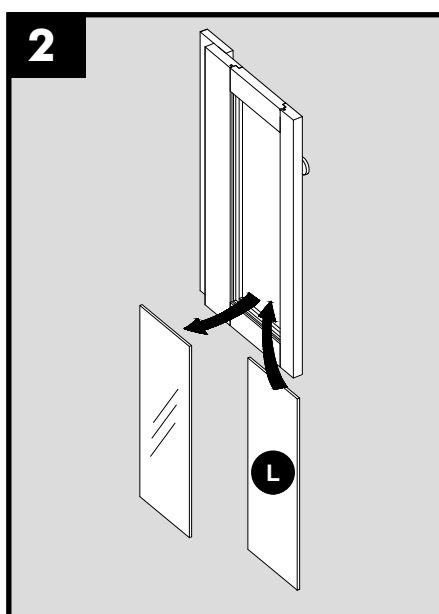
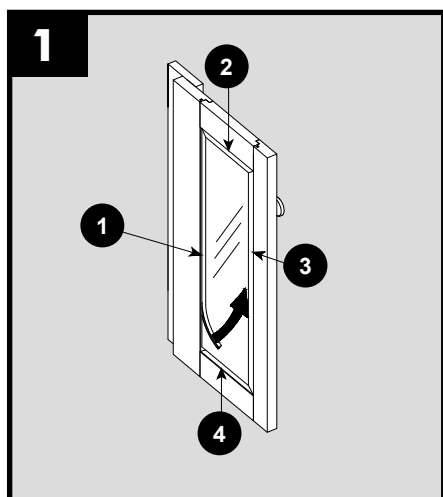
15. Re-attach insert brackets with previously removed screws to secure Insert (O).

Assembly is now complete. With the help of another person, move the assembly to the final desired location. Once it is in position, plug the Insert (O) into the power outlet.



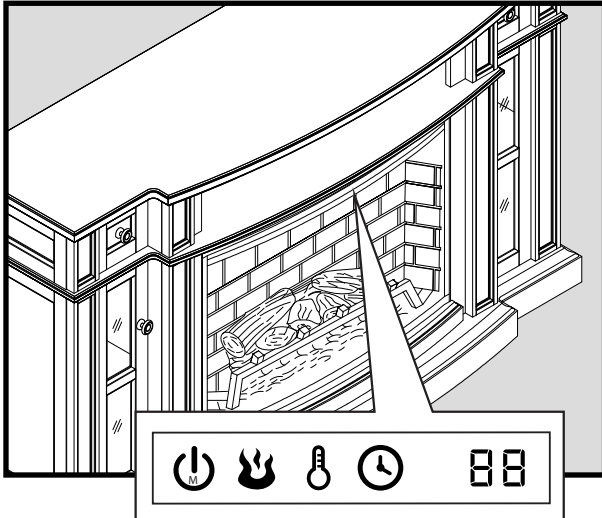
CHANGE DOOR PANELS (OPTIONAL)

16. The pre-installed glass door panels can be switched out with the included wood door panels (L).
1. Remove the silicone trim along the outer edges of the glass panel on the inside of the door. Start at a corner and pull to remove the four pieces. Be careful not to damage the silicone trim as it will be used to secure the new panel.
 2. Remove the glass panel from the door frame, then insert the included wood door panel (L).
 3. Using your finger press the silicone trim back into place. Move around the outer edge of the panels until all four sides are secure.

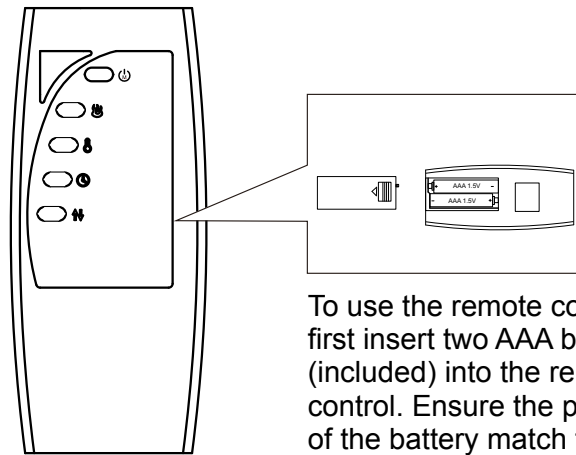


OPERATING INSTRUCTIONS

Control Panel



Remote Control



To use the remote control, first insert two AAA batteries (included) into the remote control. Ensure the polarities of the battery match the inside of the battery compartment.

Note: The control panel is a touch screen. It will appear black. Touch the control panel once to “wake up” the controls. This will cause the controls to light up. Which ever icon you touch will display it’s last setting when you do this. At this time you can press the corresponding icon to the function you would like to adjust. After 5 seconds the touch screen will fade to black.



Power Function

- Press the POWER ICON to turn the main power to the unit ON or OFF.
- When the unit is powered ON, the lights under the emberbed will glow to indicate the unit has power.
- If any functions are stored in memory then they will resume at the last setting .



Flame Brightness Function

- Press the FLAME BRIGHTNESS ICON to adjust the flame brightness.
- If the unit main power is OFF, you can press the FLAME BRIGHTNESS ICON to power ON the unit and flame brightness will resume at the last setting.
- Press the FLAME BRIGHTNESS ICON again to scroll up through the flame brightness settings: 1, 2, 3, 4, 5, OF.



Temperature Function

- If the unit is powered OFF, you can press the TEMPERATURE ICON to power ON the unit. The emberbed will glow at the lowest brightness setting unless a different setting was saved in the memory.
- Press and hold the TIMER ICON for 5 seconds to toggle between 5°F (3°C) increments and 1°F (1°C) increments when setting the temperature. The unit will beep to indicate that the change has taken place. The factory default temperature is 5°F (3°C) increments.
Note: This option is only available if using the control panel.
- Hold down the TEMPERATURE ICON for 5 seconds to toggle between Fahrenheit and Celsius. An “F” or “C” will display next to the temperature.
Note: This option is only available if using the control panel.
- Press and hold the TEMPERATURE ICON for 10 seconds to disengage the heater function. Press and hold the TEMPERATURE ICON for 10 seconds again to engage the heater function. (See HEATER OVERRIDE section below for more details).



Increase/Decrease Button

- Press the INCREASE/DECREASE button to adjust the heater’s thermostat setting.
- Press the INCREASE/DECREASE button again to scroll up through the pre-set temperature settings: The thermostat setting range is 65°F (18°C) to 90°F (32°C), HI (High) and OF.
- Set the temperature to “HI” to have the heater run continually.

OPERATING INSTRUCTIONS (CONT'D)



Timer Function

- Press the TIMER ICON to set the countdown for the unit's main power.
- If the unit is powered OFF, you can press the TIMER ICON to power ON the unit. The emberbed will glow at the lowest brightness setting unless a different setting was saved in the memory.
- Press the TIMER ICON again to scroll through the timer settings, which are: 30, 1h, 2h, 3h, 4h, 5h, 6h, 7h, 8h, 9h, OF. (30 means 30 minutes, OF means OFF)
- When the timer reaches zero, it will turn OFF the main power and will maintain all the settings in memory.

HEATER OVERRIDE

The power to the heater can be disengaged to prevent the heater from being accidentally or unintentionally powering on. This feature is primarily added to help prevent children from powering on the heater when it is not desired.

- To engage the heater override function press and hold the HEATER ICON for 10 seconds. The symbol E3 will display. The heater function is now locked. If the HEATER ICON is pressed again E3 will appear then fade. The Flame, Downlight and Timer functions will operate normally. Only the heater and blower are disengaged.
- To unlock the heater function, press and hold the HEATER ICON for 10 seconds. The symbol E3 will display. The heater function is now engaged. By pressing the HEATER ICON again you will be able to adjust the heat temperature to your desired temperature.

MEMORY FUNCTION

This unit has a memory function that allows you to turn off the MAIN POWER and retains all the other function settings (excluding the TIMER function).

- When the unit's main power is OFF, press the POWER ICON once on the insert control panel or on the remote control to power the unit ON and "wake up" the individual function at the last setting. Press the icon again to adjust it and press the main POWER ICON on the insert or on the remote control to turn the unit OFF and save the new setting into memory.
- When the unit is powered ON, the LED readout will show the saved temperature setting. If a temperature setting was not saved, it will show the flame brightness setting saved in memory. If neither one has a setting saved to memory, then only the emberbed will glow (as a power light indicator).
- To reset the memory, hold down the main POWER ICON for 10 seconds at any time. When this happens, the LED readout will blink with two zeros three times and the unit will be shut down.
- Another way to reset the memory is to unplug the unit from the wall.

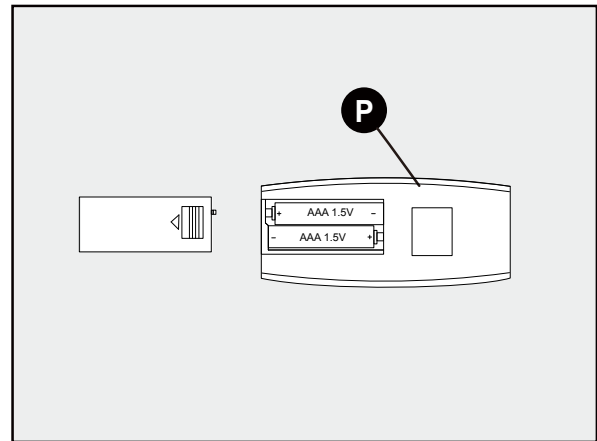
CARE AND MAINTENANCE

- Make sure the unit is turned OFF, unplugged and the heating elements of heater are cool whenever you are cleaning the heater or fireplace.
- Clean the metal trim using a water-dampened soft, clean cloth. DO NOT use brass polish or household cleaners as these products will damage the metal trim.
- The motors used on the fan and the flame generator assembly are pre-lubricated for extended bearing life and require no further lubrication. However, periodic cleaning/vacuuming of the fan/heater and air intake/output vents is recommended.
- When the heater is not in use, the power cord should be stored properly to avoid contact with hot or sharp objects.
- Any other servicing should be performed by an authorized service representative.
- Tips for using touch-up pen (FF): For scratches, stroke in direction of scratch. For worn areas, stroke in the direction of wood grain. Rub excess colorant promptly with a soft cloth.

Replacing the Remote Control Batteries

When the remote control (P) stops operating or its range seems reduced, it is time to replace the batteries. Note: The batteries should be removed if the product is to be left unused for a long time.

1. The battery compartment is located on the back of the remote control (P).
2. Remove battery cover from the back of remote control (P) and remove the old batteries.
3. Insert 2pcs AAA batteries, ensuring the polarities of the battery match the inside of the battery compartment.
4. Re-insert the battery door.



Note: Do not mix old and new batteries.

Do not mix alkaline, standard (carbon zinc), or rechargeable (nicad, nimh, etc) batteries.

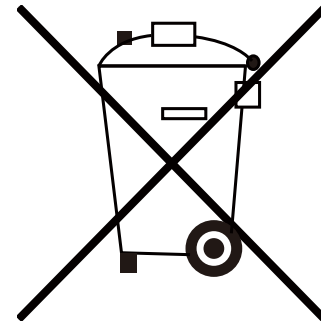
Non-rechargeable batteries are not to be recharged. Exhausted batteries are to be removed from the product.

Harmful if swallowed.

Disposal of Used Batteries

A battery may contain hazardous substances that could be endangering the environment and human health.

- This symbol marked on the battery and/or packaging indicates that used battery shall not be treated as municipal waste. Instead it shall be left at the appropriate collection point for recycling.
- By ensuring the used battery is disposed of correctly, you will help prevent potential negative consequences for the environment and human health. The recycling of materials will help to conserve natural resources.
- Do not dispose of batteries in fire. batteries may explode or leak. For more information about collection and recycling of used batteries, please contact your local municipality, your waste disposal service or the point-of-sale where you purchased this battery.



TROUBLESHOOTING

PROBLEM	POSSIBLE CAUSE	SOLUTION
Error E1 displayed on control panel.	The overheat sensor has been engaged.	Unplug unit, wait 15-20 minutes, then the sensor will reset itself. Plug the unit back in and turn on the heater. If the problem persists, call customer service. Note: The other functions will work normally excluding the heater. Until the problem is solved, the error will only appear/sound when the heater button is pressed.
Error E2 displayed on control panel.	The thermostat sensor is broken or not working correctly.	Unplug unit, wait 15-20 minutes, then the sensor will reset itself. Plug the unit back in and turn on the heater. If the problem persists, call customer service. Note: The other functions will work normally excluding the heater. Until the problem is solved, the error will only appear/sound when the heater button is pressed.
Error E3 displayed on control panel.	Heater override function is engaged	To unlock the heater, simply press and hold the temperature button for 10 seconds (See page 14 Heater Override Section for more details).
No power; logs do not glow.	The unit does not have power.	Check that the power cord is securely plugged into a standard 120V outlet. Then check to make sure the unit is powered on.
No flame effect but logs are glowing.	The flame effect is powered off.	Push the flame brightness button until desired level is achieved.
Heater and blower do not power on but rest of functions are working.	Heater override function is engaged	To unlock the heater, simply press and hold the temperature button for 10 seconds (See page 14 Heater Override Section for more details).
Power cord gets warm to the touch.	Normal operation.	This is normal for a heater appliance as it requires more current to operate. Check the connections of the appliance cord and the outlet. Make sure the plug fits tightly into the outlet. During use, check the plug and outlet frequently to determine if it is HOT; if so, discontinue use of the appliance and consult with a qualified electrician to check or change the overheating outlet(s).
Remote control does not work.	Weak or failing batteries.	Replace with 2 AAA batteries. (See page 15 for more information.)
Remote control signal is weak and only works sometimes	Pressing the buttons too quickly.	Press the buttons slowly and steadily to ensure the transmitter recognizes the request.
	Using the remote control too far away or at an off angle.	Move closer to the insert; the remote control will only work within a distance of 20 feet and 45 degrees to either side from the front of the fireplace insert.
Fan motor continues to blow after unit is powered off	Normal operation.	This is a standard feature; the blower runs for an additional time to cool off heater tubes.

ONE-YEAR LIMITED WARRANTY

The manufacturer warrants that your new Electric fireplace is free from manufacturing and material defects for a period of one year from date of purchase, subject to the following conditions and limitations.

Install and operate this Electric fireplace in accordance with the installation and operating instructions furnished with the product at all times. Any unauthorized repair, alteration, willful abuse, accident, or misuse of the product shall nullify this warranty.

This warranty is non-transferable, and is made to the original owner, provided that the purchase was made through an authorized supplier of the product.

The warranty is limited to the repair or replacement of part(s) found to be defective in material or workmanship, provided that such part(s) have been subjected to normal conditions of use and service, after said defect is confirmed by the manufacturer's inspection.

The manufacturer may, at its discretion, fully discharge all obligations with respect to this warranty by refunding the wholesale price of the defective part(s).

Any installation, labor, construction, transportation, or other related costs/expenses arising from defective part(s), repair, replacement, or otherwise of same, will not be covered by this warranty, nor shall the manufacturer assume responsibility for same.

The owner/user assumes all other risks, if any, including the risk of any direct, indirect or consequential loss or damage arising out of the use, or inability to use the product, except as provided by law.

All other warranties-expressed or implied-with respect to the product, its components and accessories, or any obligations/liabilities on the part of the manufacturer are hereby expressly excluded.

The manufacturer neither assumes, nor authorizes any third party to assume on its behalf, any other liabilities with respect to the sale of the product.

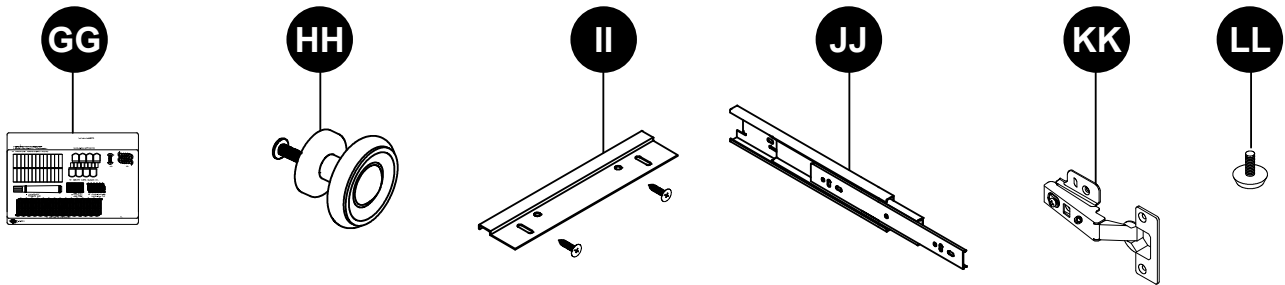
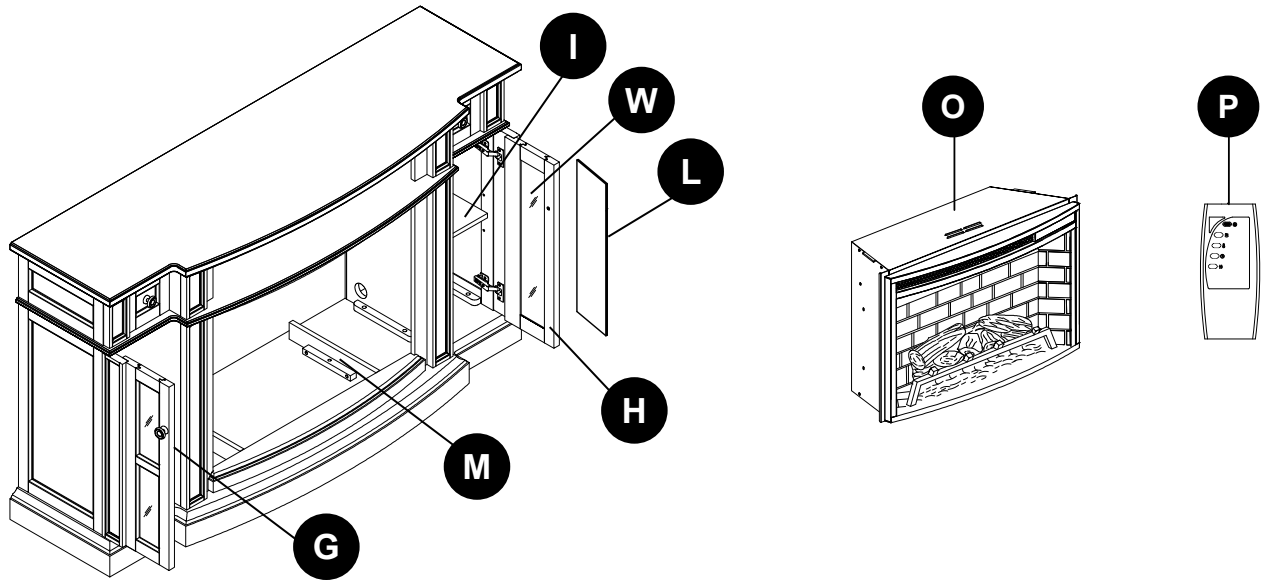
The warranties as outlined within this document do not apply to non accessories used in conjunction with the installation of this product.

This warranty is void if:

1. The fireplace is subjected to prolonged periods of dampness or condensation.
2. Any unauthorized alteration, willful abuse, accident, or misuse of the product.
3. You do not have the original receipt of purchase.

REPLACEMENT PARTS

For replacement parts, call our customer service department at 1-855-571-1044, 9 a.m. - 5 p.m., EST, Monday - Friday.



PART	DESCRIPTION	PART #
GG	Hardware Pack	PU17-1317FM-001
HH	Knob	PU17-1317FM-002
II	Insert Bracket	Insert-Side-MB
JJ	Drawer Glide	PU17-1317FM-004
KK	Hinge	PU17-1317FM-005
LL	Floor Leveler	PU17-1317FM-006

PART	DESCRIPTION	PART #
G	Left Door	PU17-1317FM-007
H	Right Door	PU17-1317FM-008
I	Shelf	PU17-1317FM-009
L	Wood Door Panel	PU17-1317FM-010
M	Insert Brace	PU16-232628-MB
O	Insert	3322-CG-BB
P	Remote Control	PU18-33CB-RC
W	Glass Door Panel	PU17-1317FM-010