

IMPORTANT

Diamond insists on the highest standards of quality in the manufacturing of your products. Each piece has been carefully inspected before shipment. In case of a problem, DO NOT RETURN THE ITEM TO THE STORE.

Call Diamond at:

1-800-990-6003

to help with any problem or question you may have.

Thank you.

HyLoft®

HyLoft's heavy duty shelving systems have patented low-profile brackets so that you can store more items without a large infringing bracket. All of our products are constructed from durable steel and feature a scratch and corrosion resistant finish. There are two shelves per box.



HyLoft's Add-On Storage Hooks add even more versatility to the already popular ceiling storage unit. These hooks hang from any HyLoft Ceiling or Wall mounted unit. They can be used to hang bikes, bags, sports equipment, lawn and garden items, extension cords, and so much more. Each hook is 4" x 6.5", and there are 4 hooks in each package.

HyLoft's Add-On Storage Racks provide endless ways to maximize space and neatly store miscellaneous items. Hang a ladder, lawn tools, lumber, surfboard or any other long items. These hanging racks will attach securely to any HyLoft ceiling or wall storage unit. Each rack is 10" x 32", there are two racks per package.



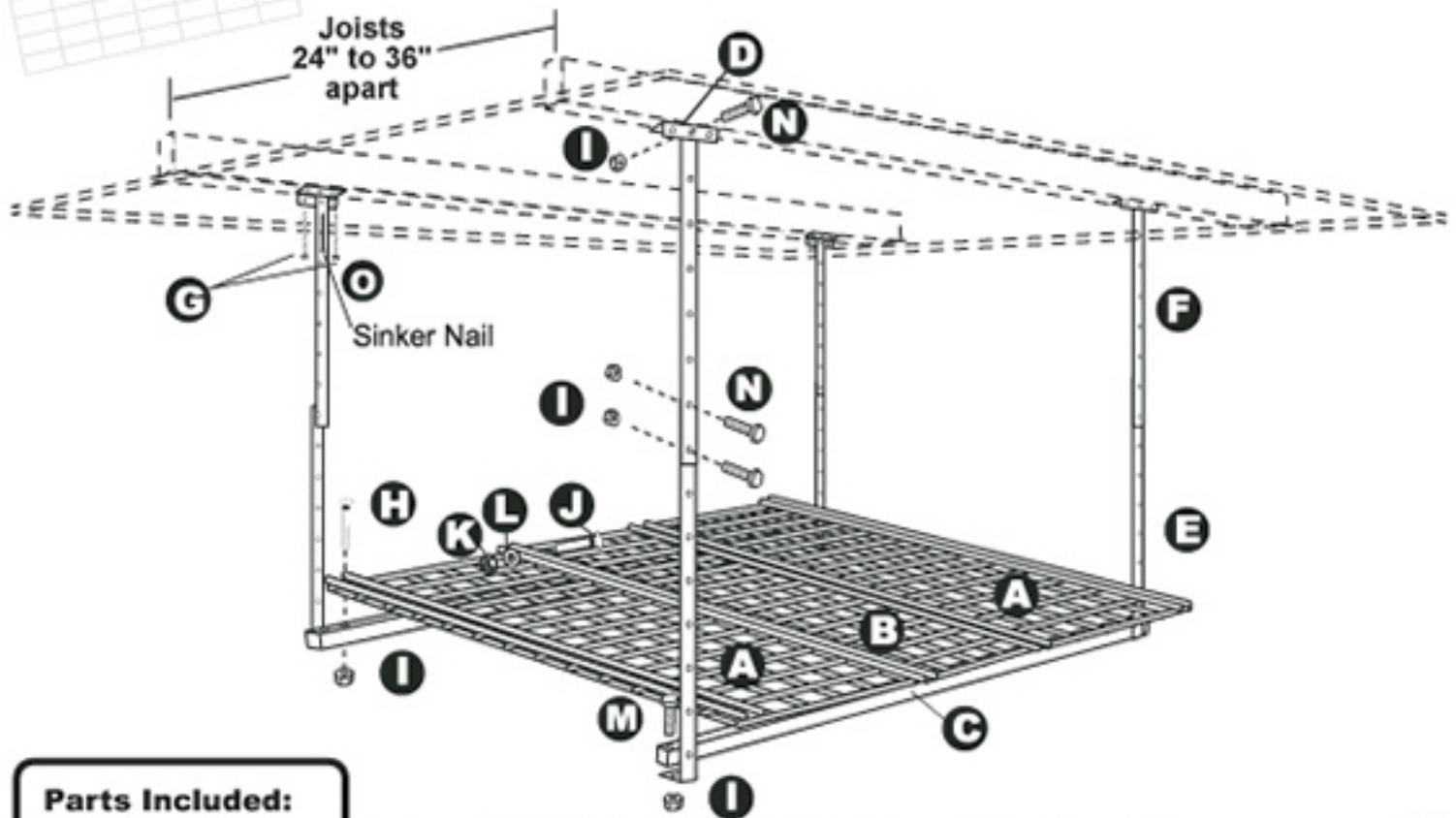
Accessories

Accessories sold separately, sizes and colors may vary by retailer
Las Vegas, NV 89118 - (800)990-6003 - www.hyloft.com
US Patents 6435105, 6409031, 6715427, D416152, D459926, D470353, D477957
















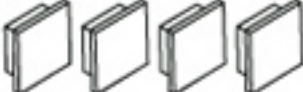


HyLoft.

ASSEMBLY INSTRUCTIONS

45" x 45" Ceiling Storage Unit



Parts Included:

A 2 Wire Grids 15" wide (38cm) 	B 1 Wire Grid 13" wide (33cm) 	C 2 Support Bars 
D 4 Angle Brackets 	E 4 Downrods Bent 	F 4 Downrods Straight 
G 8 Lag Screws 1/4" x 2" (6mm x 50.8mm) 	H 4 Carriage Bolts 1/4" x 2" (6mm x 51mm) 	I 20 Hex Nuts Serrated 1/4" (6mm) 
J 4 Carriage Bolts 9/64" x 1" (3.0 mm x 25mm) 	K 4 Hex Nuts 9/64" (3.0 mm) 	L 4 Washers 9/64" (3.0 mm) 
M 4 Hex Bolts 1/4" x 1 1/2" (6mm x 38mm) 	N 12 Hex Bolts 1/4" x 1/2" (6mm x 13mm) 	O 4 Sinker Nails 
4 End Plugs 	HyLoft Sticker 	2 Plastic Tie Straps 

Tools Required for installing one 45" x 45" Ceiling Storage Unit

- Hammer • 7/16" Wrench (11 mm) • Stud Finder • Drill and 3/16" (5 mm) Drill Bit
- Socket Wrench and 7/16" (11 mm) Socket • Tape Measure • Pencil • Ladder

MISSING A PART? There is no need to return this item to the store. Instead, call us Toll Free 1-800-990-6003

Visit www.hyloft.com to view our **animated instruction guide** with interactive tools to walk you through the installation process step by step.

(Installation time approximately 60 minutes or less)

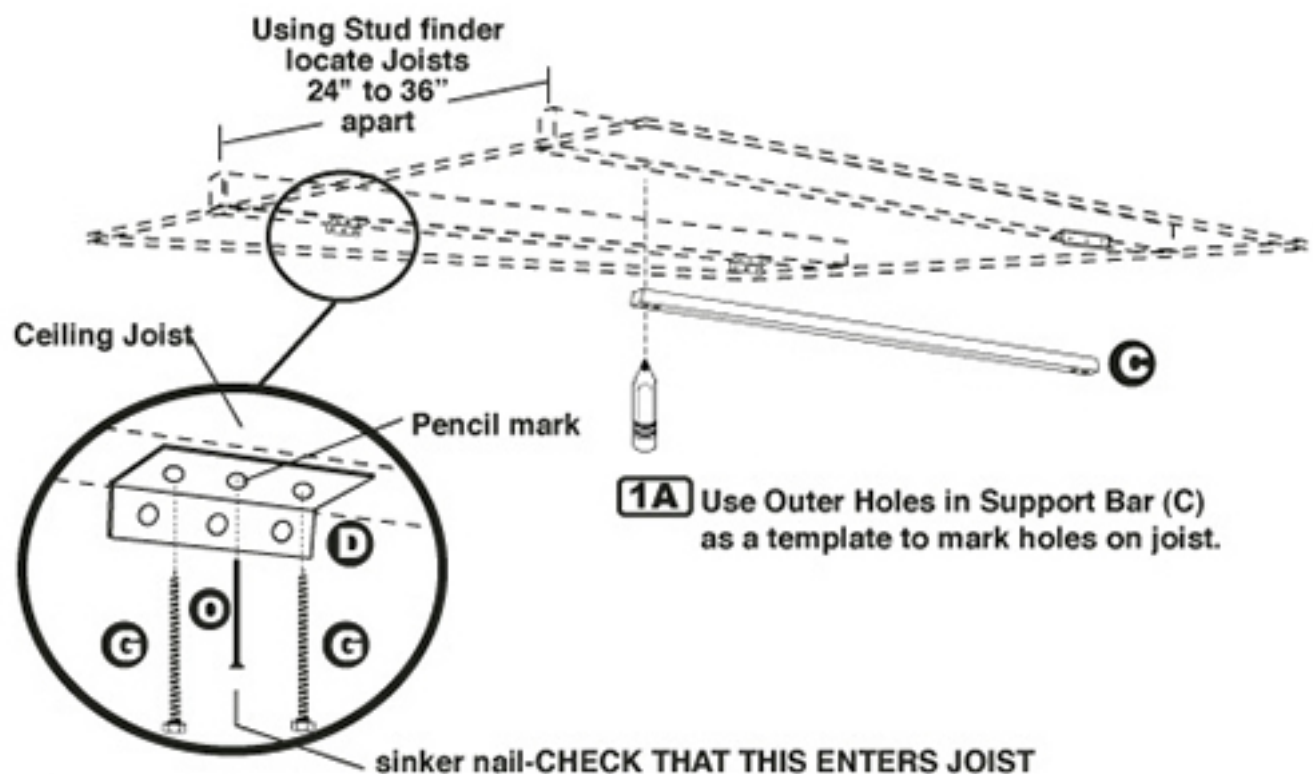
Before beginning the unit installation, decide where it will work best for you above the open garage door (if room allows) or beyond the open door.

PLEASE NOTE: If installing above the open garage door: at least 17" of open space is required between the highest point of door as measured during its upward travel and the ceiling.

Locate the ceiling joists in the area of desired installation and determine the direction in which they are running. In order to adequately disperse the stored load, you should install not more than two HyLoft units on any two ceiling joists. The ceiling Angle Brackets are installed parallel to the ceiling joists. Refer to the diagram below or photos on the package for additional installation clarification.

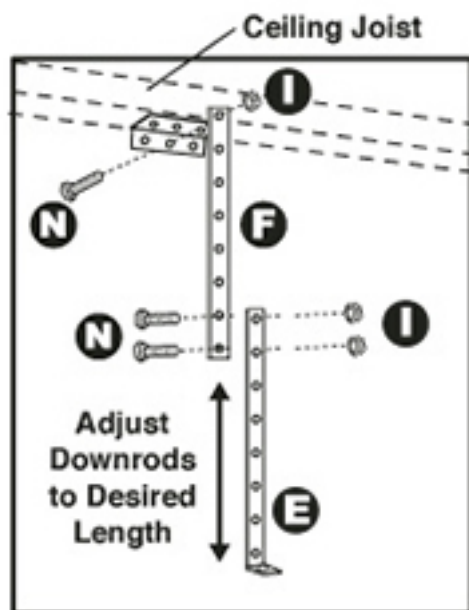


INSTALL ANGLE BRACKETS



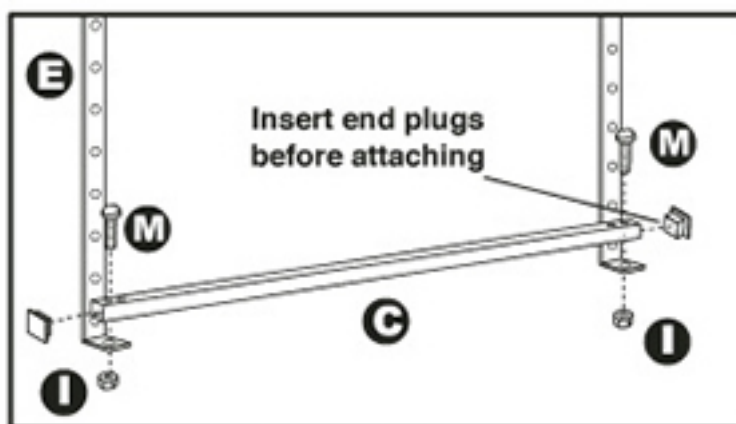
- 1B** Drive the sinker nail (O) halfway through the center hole (where you made the pencil mark) and test that it is securely in the joist. If the nail is secure, then finish driving the nail. Then PRE-DRILL two 3/16" holes for each of the brackets. Use a 7/16" Socket Wrench or Nut Driver to install two of the 1/4 x 2" screws (G) into each pre-drilled hole.

Now repeat this process for installation of the remaining pair of angle brackets, being sure to install them parallel to the first set.



2A Connect two-Piece Downrods to center hole in Ceiling Angle

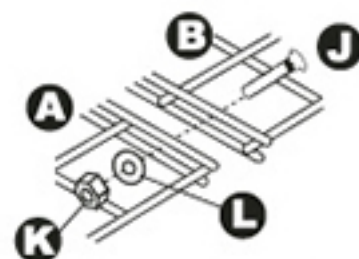
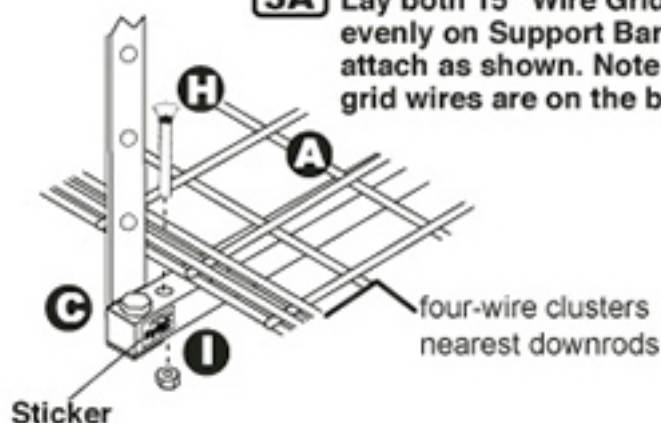
2 ATTACH DOWNRODS and SUPPORT BARS



2B Connect Support Bars to Downrods

3 PLACE AND ATTACH GRIDS

3A Lay both 15" Wire Grids (A) evenly on Support Bars and attach as shown. Note: Long grid wires are on the bottom.



3B Lay 13" Wire Grid (B) on top of Support Bars, between the two 15" grids (A), and Bolt Together using 2 bolts (J), washers (L) and nuts (K) on each side.

You have now completed the installation and are ready to load your new HyLoft Storage Unit. (Maximum 250 lbs. per 45" x 45" unit, evenly distributed). Place the sticker provided on a support bar for easy reference information.

Periodically (at least annually) check all connections to ensure that they remain tightly fastened.

Installing Two HyLoft 45 x 45 Units:

Follow the instructions above. Multiple Units may be joined together by using tie straps provided.



We appreciate your purchase of the HyLoft storage system. Diamond has made every effort to supply a quality product that insures a lifetime of trouble-free service. In the event that you have any type of problems and BEFORE RETURNING THE UNIT TO THE SELLER, please call our toll free number 1-800-990-6003

HyLoft 45" x 45" Ceiling Storage Unit Limited Warranty

Diamond warrants this product against defects in material or workmanship for the life of the product. Diamond agrees to either repair the product or replace it at the sole discretion of Diamond. This warranty does not include any costs associated with the physical installation, removal or return of the HyLoft storage system.

This warranty is valid and enforceable provided that the maximum weight supported by each 45" x 45" HyLoft unit does not exceed 250 pounds, evenly distributed. The customer, dealer, and/or installer releases Diamond of all claims, which includes the HyLoft unit and the structure that it is attached to, if the loaded weight exceeds 250 pounds. The unit must also be installed according to the manufacturer's instructions. At no time should you install more than two HyLoft units on any two ceiling beams (rafters, joists, roof trusses, etc.). All fasteners must be checked and tightened at least annually.

Only the original purchaser of this product is extended this warranty. No warranty work will be provided under this warranty without purchaser's receipt or other proof of the date of original purchase acceptable to Diamond. Proof of the date of purchase must be provided to Diamond if the product is returned.

This limited warranty covers product failure due to defects in materials or workmanship ONLY! It does not cover corrosion, rust or discoloration of its components, or product failure due to misuse, abuse, faulty installation, alteration, lack of reasonable care, or any other failure not related to defects in materials or workmanship.

There are NO other warranties expressed or implied except those stated here in as required by applicable law.

Diamond SHALL NOT BE LIABLE FOR INCIDENTAL, SPECIAL OR CONSEQUENTIAL DAMAGES RESULTING FROM THE USE OF THE PRODUCT OR ARISING OUT OF ANY BREACH OF THIS WARRANTY. ALL IMPLIED WARRANTIES, IF ANY, INCLUDING IMPLIED WARRANTIES OF MERCHANTABILITY AND FITNESS FOR A PARTICULAR PURPOSE, ARE LIMITED IN DURATION TO THE DURATION OF THIS WARRANTY. Some states do not allow the exclusion or limitation of incidental or consequential damages, or limitations on how long an implied warranty lasts, so the above exclusions or limitations may not apply to you. No other warranty, written or verbal, will be honored for this product. This warranty gives you specific legal rights and you may also have other rights that vary from state to state.

Diamond is not responsible for damages of merchandise in transit. Repaired or replaced products shall be subject to the terms of this warranty, to be inspected by Diamond, prior to return shipment. Damages incurred during transit should be reported at once to the carrier and a claim should be filed with them.

For assistance with your HyLoft storage system or to obtain warranty service, call our Customer Service Department toll free at 1-800-990-6003. Please have the product type and date of purchase when you call to avoid delays. Thank You!

Diamond Storage Concept, 5030 W. Oquendo Road, Suite
100 Las Vegas, Nevada 89118 800-990-6003

e-mail: info@DiamondStorageConcepts.com

For more information and frequently asked questions, visit our web site: www.hyloft.com