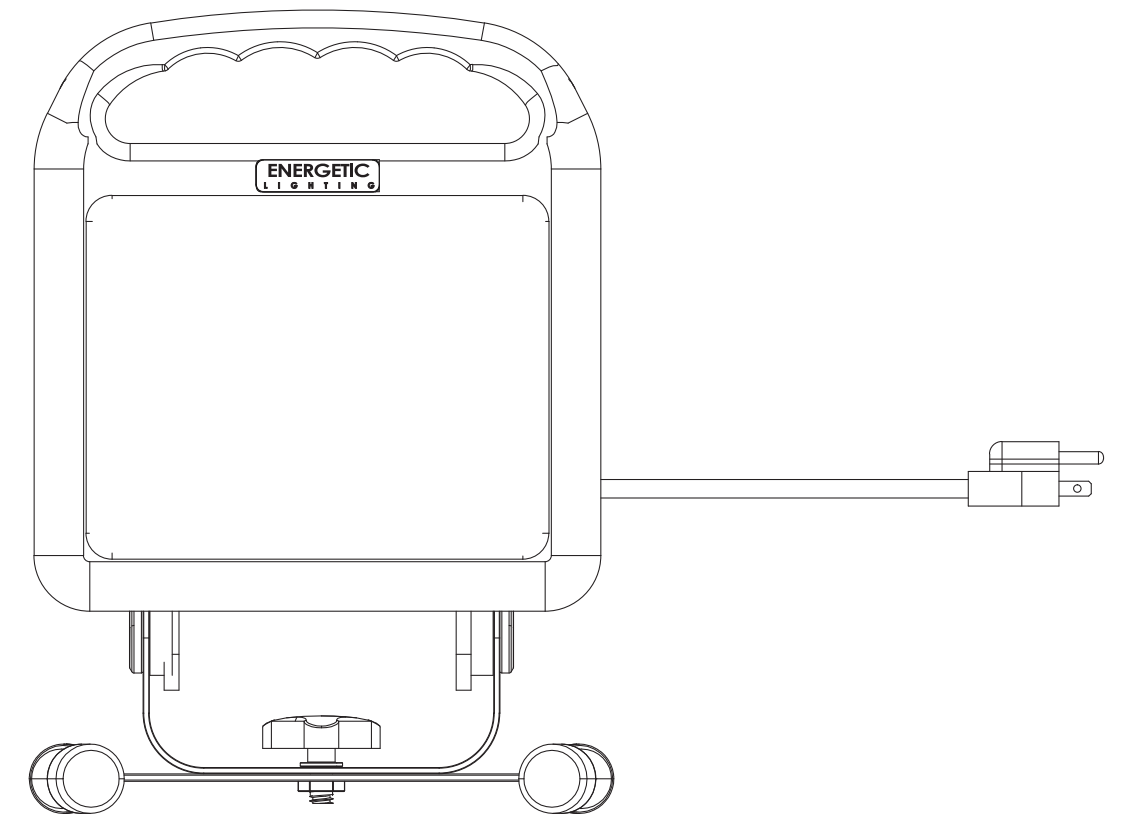


Portable Worklight

Installation Instructions

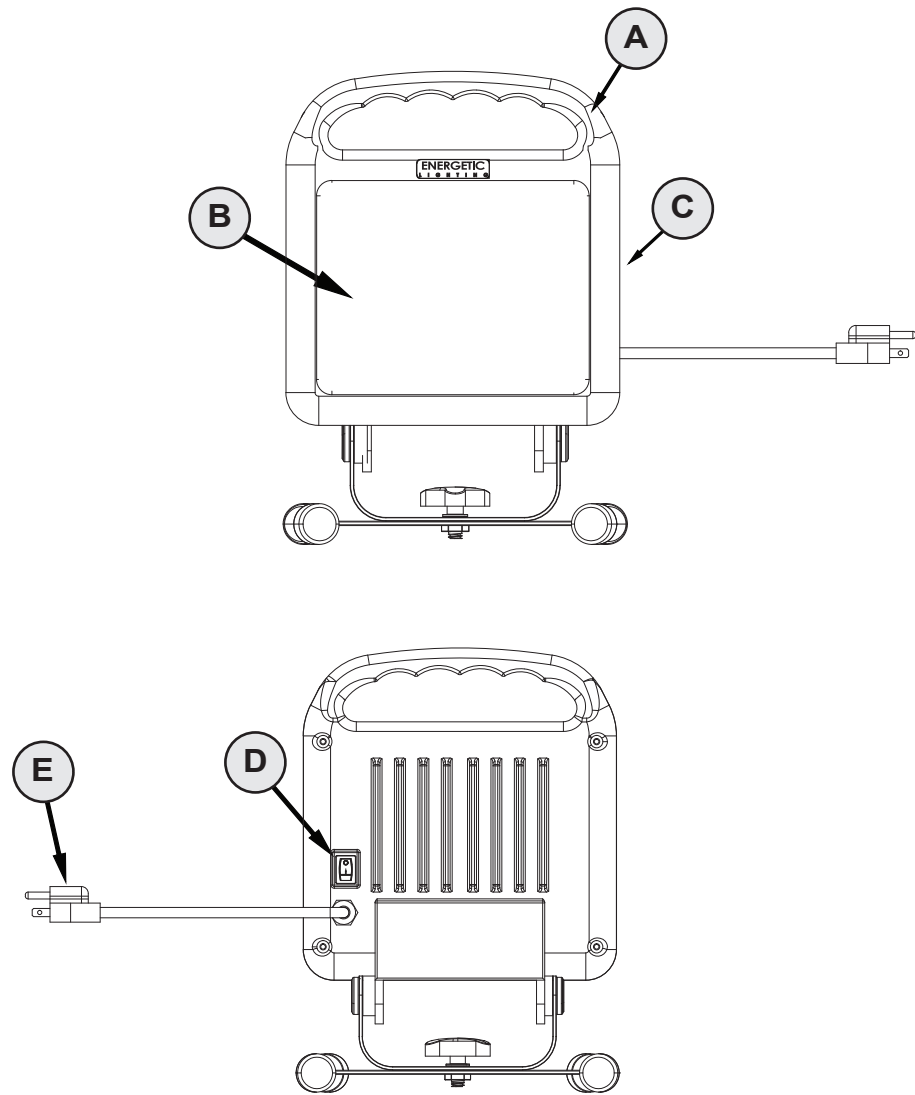


ATTACH YOUR RECEIPT HERE

Item Number _____ Purchase Date _____

Questions, problems, missing parts? Before returning to your retailer, call our customer service department at 1-866-492-6566.

PACKAGE CONTENTS



Part	Item Name	Qty.
A	Handle	1
B	Lens Assembly	1
C	Light Fixture	1
D	Switch	1
E	Power Cord	1

SAFETY INFORMATION

CAUTION

- This device complies with Part 15 of the FCC Rules. Operation is subject to the following two conditions: (1) This device may not cause harmful interference, and (2) this device must accept any interference received, including interference that may cause undesired operation.

NOTICE

- This equipment has been tested and found to comply with the limits for a Class B digital device, pursuant to part 15 of the FCC Rules. These limits are designed to provide reasonable protection against harmful interference in a residential installation. This equipment generates, uses and can radiate radio frequency energy and, if not installed and used in accordance with the instructions, may cause harmful interference to radio or television reception, which can be determined by turning the equipment off and on. The user is encouraged to try to correct the interference by one or more of the following measures:
 - Reorient or relocate the receiving antenna.
 - Increase the separation between the equipment and the receiver.
 - Connect the equipment into an outlet on a circuit different from that to which the receiver is connected.
 - Consult the dealer or an experienced radio/TV technician for help.

This Class B digital apparatus complies with Canadian ICES-003.

WARNING

Any changes or modifications to this unit not expressly approved by the party responsible for compliance could void the user's authority to operate the equipment.

BE EXTREMELY CAREFUL WHEN USING THIS DEVICE. Improper use of this work light can result in injury or death. Follow all safeguards stated in this manual in addition to normal safety precautions in working with electrical devices. **DO NOT** attempt to service this device.

- When using outdoor portable work lights, always follow basic safety precautions to reduce the risk of electric shock and personal injury.
- Failure to observe the following safety rules may result in **FIRE, ELECTRICAL SHOCK, INJURY, or EXPOSURE TO EXCESSIVE ULTRAVIOLET RADIATION.**
- Use only 3-wire UL Listed outdoor extension cords that have 3-prong grounded plugs and grounded receptacles that accept the work light's plug.
- Use only with an extension cord for outdoor use, such as with cord type SW, SW-A, SOW, SOW-A, STW, STW-A, STOW, STOW-A, SJW, SJW-A, SJOW, SJOW-A, SJTW, SJTW-A, SJTOW, or SJTOW-A.
- This product contains chemicals, including lead, known to the state of California to cause birth defects and other reproductive harm. Wash hands after handling or touching this portable work light.

SAFETY INFORMATION

- To avoid electrical shock, do not use near water or in areas where water may accumulate. Keep work light at least 16 ft. from pools or spas. Keep plugs dry. Use only Ground Fault Circuit Interrupter (GFCI) protected receptacles when using this work light in wet or damp locations. Receptacles are available with built-in GFCI protection and are to be used for this measure of safety.
- Always unplug work light and allow lamp head to cool.
- The work light lamp heads get HOT very quickly. Only touch the power plug or cushioned handle when turning the lamp heads ON or OFF.
- To avoid burns, do not touch the glass lens, metal part of the lamp head while lamp is turned on.
- Do not look directly at the lighted lamps to avoid eye injuries.
- Always keep the work light away from any flammable materials.
- Unplug and allow lamp to completely cool.
- Do not operate work light if it has a missing or damaged lens cover. Contact customer service for a replacement. Read and follow all safety rules and operating instructions before first use of this product.

Operating Instructions

No assembly is required for this work light.

ON/OFF Switch

Each lamp has an on/off switch. Press the switch toward the “|” symbol to turn the lamp on. Press the switch toward the “O” symbol to turn the lamp off. Always turn the work light off before unplugging.

Adjusting the light direction

1. The vertical angle of the lamp head can be adjusted freely to the desired angle. The swivel will automatically lock to pre-determined angles.
2. Adjust horizontally by loosening the lower twist knob on the metal bracket located below the lamp head. Adjust the lamp head to the desired position using the handle and retighten knob.

Operating Instructions

WARNING: RISK OF PERSONAL INJURY. To avoid being burned, always hold the work light by its grip handle when making adjustments.

WARNING: RISK OF FIRE. DO NOT place work light near flammable or combustible surfaces.

Extension cords

- The maximum extension cord length recommended for this work light is 49 in. Use of extension cords longer than 49 in. may cause a voltage drop that can dim the lights.
- Extension cords used with this work light must have an adequate American Wire Gauge (AWG) or wire size for safe, efficient use. The smaller the gauge of the wire, the greater the capacity of the wire (e.g. 14-gauge wire has more capacity than 16-gauge wire).
- Use an extension cord or minimum 14-gauge (AWG) 3-conductor or higher capacity wire, such as 12-gauge or 10-gauge for this work light.
- Always make sure that the prongs on the plug of the extension cord are the same number, size and shape as those on the work light plug.
- Always be sure that the extension cord is in good electrical condition.

Storage

1. Always allow the work light to cool down completely before storing.
2. Store in a safe place, out of reach of children.

CARE AND MAINTENANCE

Your portable LED work light requires very little care and maintenance. Simply clean the lens, lamp head and lamp stand regularly with a non-abrasive cleaner.

Warning: Always make sure the work light is unplugged and completely cool before attempting to clean it.

TROUBLESHOOTING

Problem	Possible Solution	Corrective Action
The work light comes on, but the lights are dimmed.	Improper voltage or power supply. Use of an extension cord longer than 49 in. can reduce the voltage supplied to the light and can cause dimming. Use 14-gauge (AWG) extension cord with a cord length of less than 49 in.	The work light will only operate on standard household 120 V AC/60 Hz power. Have power supply checked by a qualified electrician.

WARRANTY

This fixture is warranted to perform free from defects for three years. If it fails to do so, you may return it with proof of purchase to 13445 12th St., Chino, CA 91710 for replacement.