



Register your new Bosch now:
www.bosch-home.com/welcome



B26FT..



BOSCH

en Operating and installation
instructions

fr Notices d'utilisation et de
montage

es Instrucciones de uso y de
montaje

en Table of Contents ... 3

fr Table des matières ... 32

es Índice 62

en Table of Contents

IMPORTANT SAFETY INSTRUCTIONS	4	VitaFresh Pro compartment	18
Disposal information	5	Deli drawer	19
Scope of Delivery	6	Variable interior design	19
Installing the appliance	6	Freezer compartment	20
Installing and connecting the appliance	7	Freezing food	20
Appliance and installation dimensions	12	Purchasing and storing deep-frozen food	21
Getting to know your appliance	13	Thawing frozen food	21
Control and display panel	14	Freezer compartment features	21
Operating tips	15	Ice and water dispenser	22
Switching on the appliance	15	Water filter	24
Setting the temperature	15	Performance data sheet	25
Alarm function	16	Energy-saving tips	26
Panel lock	16	Operating noises	26
Super cooling	16	Defrosting	26
Super freezing	17	Switching off and disconnecting the appliance ..	26
Quick ice	17	Cleaning	27
Water filter symbol	17	LED light	28
Temperature unit	17	Troubleshooting minor issues	29
Refrigerator compartment	18	Customer service	31



IMPORTANT SAFETY INSTRUCTIONS

READ AND SAVE THESE INSTRUCTIONS!

Definitions



WARNING

This indicates that death or serious injuries may occur as a result of not observing this warning.



CAUTION

This indicates that minor to moderate injuries may occur as a result of not observing this warning.

NOTICE

This indicates that damage to appliance or property may occur as a result of not observing this warning.

WARNING: Before you turn on the appliance

Please read the Operating and Installation Instructions carefully, including the following. They contain important safety information and instructions for installation, use and maintenance of the appliance. The manufacturer is not responsible if you fail to comply with the instructions and warnings. Retain all documents for subsequent use or for the next owner.

Technical safety

Improper installations and repairs may put the user at risk.

Repairs must be performed by an authorized service provider.

Only use original parts supplied by the manufacturer. Only original manufacturer supplied parts satisfy safety requirements.

If the power cord of this appliance is damaged, it must be replaced by an authorized servicer.

The appliance comes with a UL listed 3-wire Power Cord.

Never sever or remove the third (ground) conductor from the power cord.

This appliance requires a 3-wire grounded wall outlet. The wall outlet must be installed by a licensed electrician and it must be done in accordance with local codes.

Where there is a 2-wire standard wall receptacle, it is the responsibility of the customer to have this receptacle replaced with a correctly grounded 3-wire wall receptacle. Do not use any adapter plugs.

Important information when using the appliance


- Never use electrical devices inside the appliance. Risk of explosion!
- Never use a steam cleaner to defrost or clean the appliance. The steam may penetrate electrical parts and cause a short-circuit. Risk of electric shock!
- Do not use pointed or sharp-edged objects to remove frost or layers of ice. You could damage the refrigerant tubes. Leaking refrigerant may ignite or cause eye injuries.
- Do not store products that contain flammable propellants (e.g. spray cans) or explosive substances in the appliance. Risk of explosion!
- Do not stand or support yourself on the base, drawers or doors or other parts of the appliance. You could damage the appliance or be injured.
- To clean the appliance, pull out the power cord plug or switch off the electrical breaker or fuse! Do not pull out the power cord plug by tugging the cable.
- Bottles that contain a high percentage of alcohol must be sealed and stored in an upright position.
- Keep plastic parts and the door seals free of oil and grease. Otherwise, plastic parts and door seal will become porous.
- Never cover or block the ventilation openings for the appliance. This forces the appliance to work harder, increasing its power consumption.
- This appliance must not be used by children without adult supervision.
- Do not store bottled or canned drinks (especially carbonated drinks) in the freezer compartment. **Bottles and cans may explode!**
- Do not place popsicles or ice cubes straight from the freezer compartment into your mouth. Risk of low-temperature burns!
- Do not touch frozen surfaces or food in the freezer with wet hands. Skin may adhere to these extremely cold surfaces. Risk of injury!
- Do not scrape off frost or stuck frozen food with a knife or pointed object. You could damage the appliance or be injured.



IMPORTANT SAFETY INSTRUCTIONS

READ AND SAVE THESE INSTRUCTIONS!

Children in the household

 **WARNING**

Risk of suffocation from cardboard boxes and plastic film! Keep packaging and packaging components away from children.

Do not allow children to play with the appliance!

If the appliance features a lock, keep the key out of the reach of children.

General requirements


The appliance is suitable for

- refrigerating food
- freezing food
- making ice
- dispensing drinking water.

This appliance is intended for use in the home and the home environment.

The refrigeration circuit has been tested for leaks before leaving the factory.

State of California Proposition 65 Warnings

 **WARNING**

This product can expose you to chemicals including vinyl chloride, which is known to the State of California to cause cancer and birth defects or other reproductive harm.

For more information go to www.P65Warnings.ca.gov.

Disposal information

Disposal of packaging


The packaging protects your appliance from damage during transit. All utilized materials are environmentally safe and recyclable. Please help us by disposing of the packaging in an environmentally friendly manner.

Remove handles from the packaging before disposal.

Please ask your dealer or inquire at your local authority about current means of disposal.

Disposal of your old appliance

Old appliances are useful! Valuable raw materials can be reclaimed by recycling old appliances.

 **WARNING**

Risk of child entrapment!

Children can lock themselves in the appliance.

Before disposing of the old refrigerator:

Remove the doors and the freezer compartment drawer.

Leave the shelves and containers in place so that children may not easily climb inside.

Proper disposal of appliances:

1. Pull out the power plug.
2. Cut off the power cord and discard with the power plug.
3. Do not take out the trays and shelves. This helps to prevent children from climbing in!
4. Do not allow children to play with the appliance. **Could cause suffocation!**

Refrigerators contain refrigerants and their insulation contains gases. Refrigerant and gases must be disposed of properly. Follow local ordinances for disposal. Ensure that the tubing of the refrigerant circuit is not damaged prior to proper disposal.



IMPORTANT SAFETY INSTRUCTIONS

READ AND SAVE THESE INSTRUCTIONS!

Scope of Delivery

After unpacking all parts, check for any damage in transit.

If there is damage, do not plug in your appliance. Please contact the dealer.

The following parts are included:

- Free-standing appliance
- Interior fittings (depending on model)
- Bag containing installation materials
- Operating instructions
- Installation instructions
- Registration card
- Information on energy consumption and noises

Installing the appliance

Have a qualified technician install and connect the appliance according to the enclosed Installation Instructions.



WARNING

Do not install the appliance:

- outdoors,
- in an environment subject to drips of water,
- in rooms with risk of freezing temperatures.

Transporting

The appliance is heavy and must be secured during transport and installation.

The castors are provided for installation purposes only.

Do not use the castors for transporting the appliance.



WARNING

Risk of injury!

The appliance is very heavy. It can fall over and cause serious injuries during transport and installation. At least two people are required to install the appliance safely. Keep the refrigerator doors closed until the appliance is upright and level at the installation location.

Hidden surfaces may have sharp edges. During transport, wear protective gloves. Use caution when reaching behind or under appliance.

Installation location



WARNING

Risk of explosion!

Do not install the appliance near explosive or flammable substances.

A dry, well-ventilated room is suitable as an installation location. The installation location should not be exposed to direct sunlight or placed near a heat source, e.g. a cooker, radiator, etc. If installation next to a heat source is unavoidable, use a suitable insulating plate or observe the following minimum distances from the heat source:

- 1 1/4" (3 cm) to electric or gas stoves.
- 11 3/16" (30 cm) to oil or solid fuel stoves.

To ensure that the Ice Maker functions correctly, the appliance must be upright and level.

If installing the refrigerator next to another refrigerator/freezer, there must be a minimum clearance of 1" (25 mm) between the appliances to prevent condensation.

If a panel or cupboard is installed above the appliance, ensure to leave a 13/32" (10 mm) gap so that the appliance can be pulled out of the recess if required.

The air heated at the back of the appliance must be allowed to escape unhindered.

To ensure that the doors can open all the way, maintain the lateral minimum clearances when installing the appliance in a corner or recess (see section on "Appliance and installation dimensions").

If the depth of the adjacent kitchen equipment exceeds 29 1/8" (75 cm), maintain the minimum lateral clearances in order to utilize the full door opening angle (see section "Door opening angle").

Climatic classes

The climate class can be found on the rating plate. The climate class indicates within which ambient temperatures the appliance can be operated.

Climatic class	Permitted ambient temperature
SN	50 °F to 90 °F (+10 °C to 32 °C)
N	61 °F to 90 °F (+16 °C to 32 °C)
ST	61 °F to 100 °F (+16 °C to 38 °C)
T	61 °F to 110 °F (+16 °C to 43 °C)

Subsurface

NOTICE

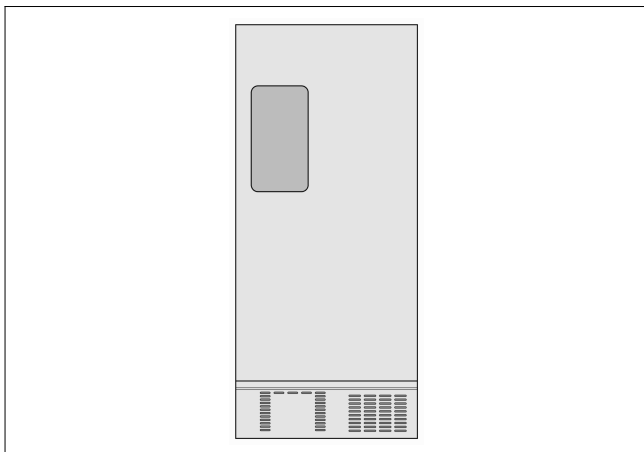
The appliance is very heavy.
The floor on which the appliance is to be installed must be rigid. Reinforce the floor, if necessary.

Weight of appliance when empty:

Basic model 324 lb (147 kg)

Ventilation

Never cover the ventilation openings on the front base panel or rear cover plate.



This forces the appliance to work harder, increasing its power consumption. It also can cause damage to the compressor.

Installing and connecting the appliance

Have a technician install and connect the appliance according to the enclosed Installation Instructions.

Do not remove the transportation protection devices from the shelves and storage compartments until the appliance has been installed and aligned.

Always connect the water before the power.

Apart from statutory national regulations, you should comply with all applicable local electricity and water companies' codes and requirements.

After installing the appliance, wait at least 6 hours before switching the appliance on. During transportation the oil in the compressor may have flowed into the refrigeration system.

Before switching the appliance on for the first time, clean the interior of the appliance (see chapter "Cleaning the Appliance").

Only a qualified technician should remove the appliance doors if this is necessary in order to bring the appliance through any household doors.

Water connection



WARNING

Risk of electric shock and damage to the appliance!
Disconnect the appliance from the power source before performing any work on the water connection.

Only a qualified installation technician may connect the appliance to the water supply in accordance with plumbing and relevant water utility company regulations.

Connect the appliance to a drinking water line only:

- Minimum pressure:
14.5 psi (1.0 bar)
- Maximum pressure:
116 psi (8.0 bar)

If the water pressure exceeds 80 psi (5.5 bar), you must install a pressure limiting valve. Contact a plumbing professional if you are uncertain how to check your water pressure. The ice maker will not work if the water pressure is below 14.5 psi (1.0 bar).

The water should be connected only by a competent plumber according to the local regulations of the appropriate Water Supply company.

A cold water connection is necessary for operating the ice maker.

A separate Shut-Off-Valve should be installed in the cold-water inflow.

The Shut-Off-Valve should not be located behind the appliance. It is recommended that you mount the Shut-Off-Valve directly next to the appliance or at another place that is easily accessible.

When installing the water connection, pay attention to the permissible installation area for the water line.

For connection to the drinking water line use only water pipes that are suitable for drinking water. Observe national regulations and the connection conditions of the local Water Supply companies.

The taste and smell of the water can be improved by installing the filter cartridge included with the appliance. In this case, observe the separate connection requirements related to the filter (see "Water filter").

The water hose has a 3/4 inch connection.

Electrical connection



WARNING

Risk of electric shock and fire if electrical connection is not installed properly!

Plug into a fixed, grounded 3-prong outlet only. The outlet must be installed and grounded according to code by a qualified electrician. If necessary, have the installation inspected by a qualified technician to ensure it is properly grounded.

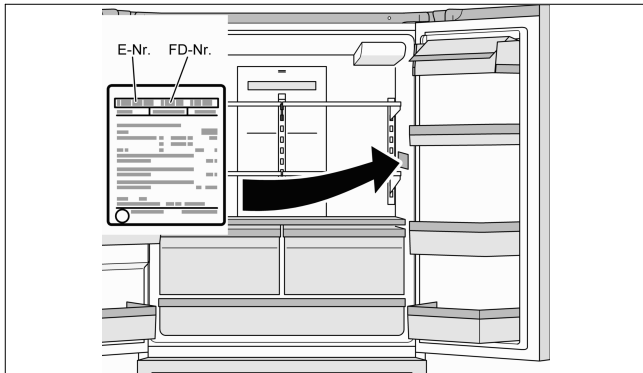
Do not use an extension cord or power strip.

Never connect the appliance to an electronic energy saver plug (such as Ecoboy, Sava Plug, etc.) or to power inverters which convert direct current (DC) to alternating current (AC) (such as for solar equipment, power supplies on ships, etc.).

The outlet for the appliance must be located close the appliance and must be easy to access also after installation.

Connect the appliance to a properly installed 115 V/60 Hz AC outlet. The fuse for the outlet must be rated either 15 A or 20 A.

If the appliance is to be used in a country other than the U.S., check the rating plate to determine if the specified voltage and current type correspond to the ratings of your power supply. If the voltage and current type do not match, the appliance must not be operated. The power cord may only be replaced by a qualified electrician.



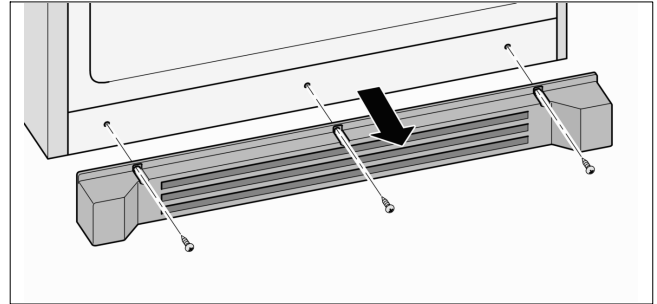
Aligning the appliance

NOTICE

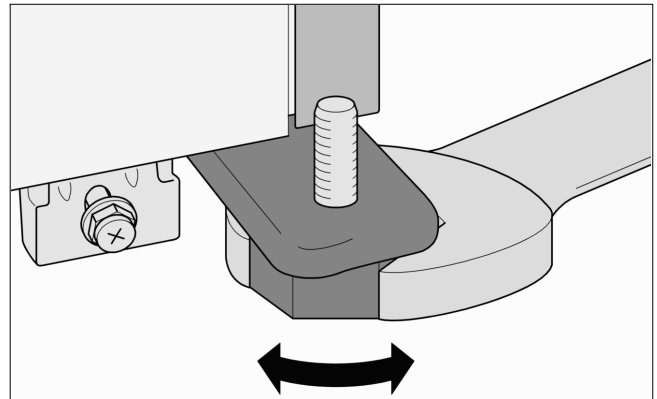
To ensure that the appliance operates correctly, use a level to align the appliance.

If the appliance is not level, water may flow out of the ice maker, ice cubes may be irregular, or the doors may not close properly.

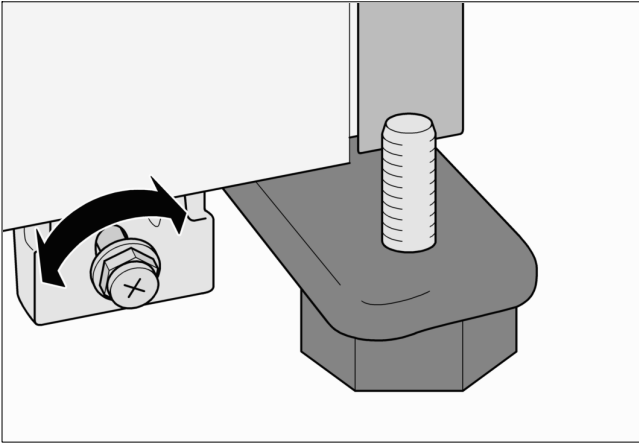
1. Place the appliance in the designated location.



2. Remove the three screws from the base panel.
3. Remove the base panel.



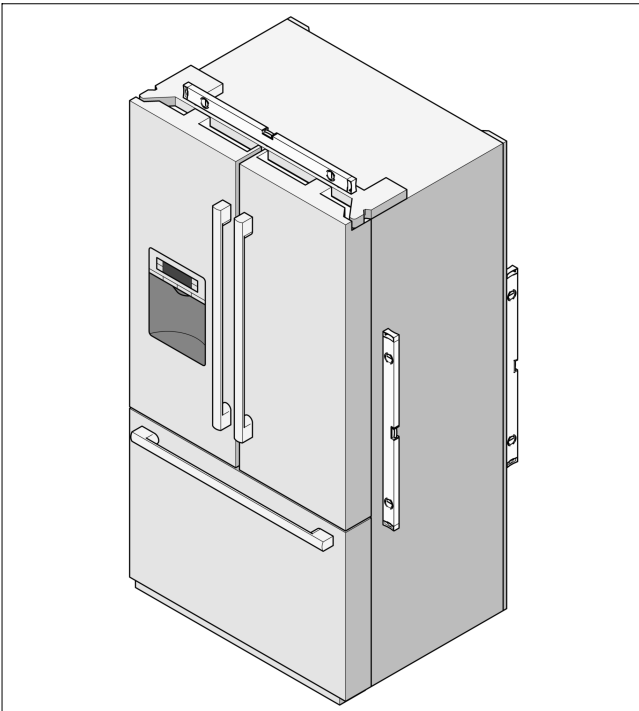
4. Use a 36 mm open end wrench to loosen the two front feet until they are firmly planted on the floor and then align the front of the appliance.



5. Use an open end wrench to turn the screws and then align the rear of the appliance.

To raise the rear of the appliance:
Turn the screw clockwise.

To lower the rear of the appliance:
Turn the screw counterclockwise.



6. Use the level to check if the appliance is level.

NOTICE

To ensure that the appliance does not move, the front feet must be firmly planted on the floor.

7. If the height of the refrigerator compartment doors are uneven or if the freezer compartment drawer is slanted after adjusting the level of the appliance, use the following method to adjust them.

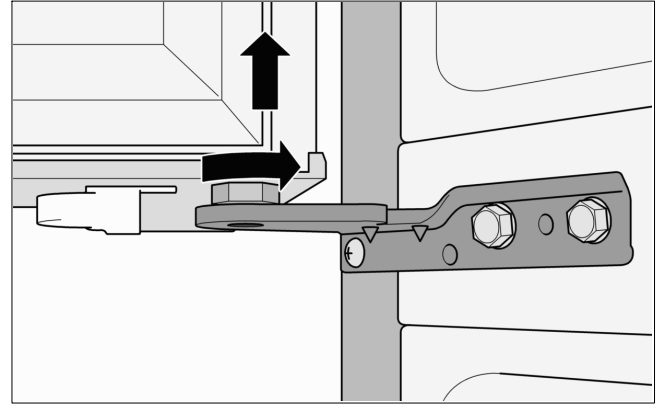
Adjusting a refrigerator door

If the height of the refrigerator doors is uneven:

1. Determine which refrigerator door needs to be raised.
2. Turn the screw nut on the lower hinge to adjust the refrigerator door.

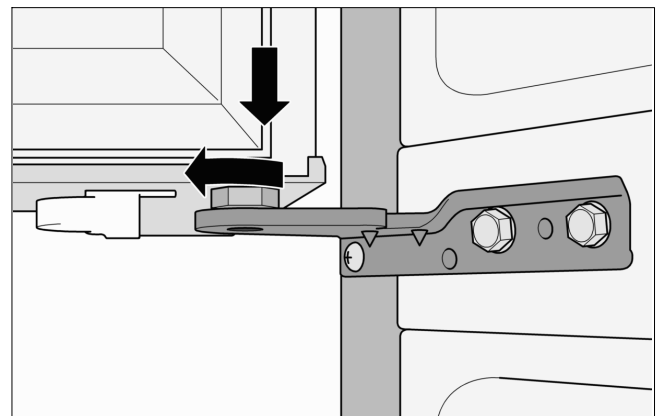
To raise a refrigerator door:

Turn the screw counterclockwise.



To lower a refrigerator door:

Turn the screw clockwise.



If the refrigerator doors are not properly aligned:



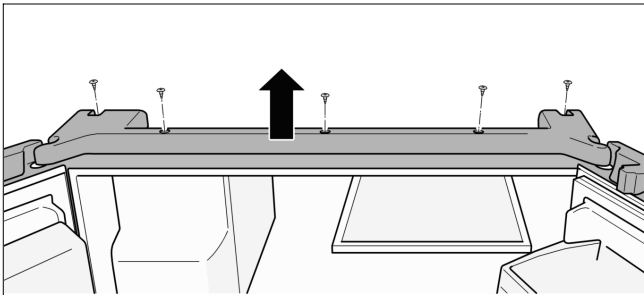
WARNING

Risk of electric shock!

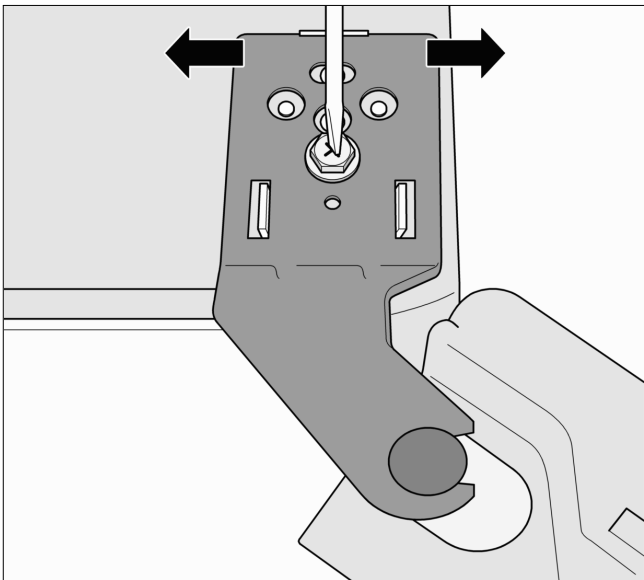
Before removing the top panel:

1. Shut off the water supply to the appliance.
2. Unplug the appliance or switch off the circuit breaker (or fuse).

1. Determine which refrigerator door needs adjustment.
2. Remove the five screws on the top panel.
3. Raise the panel.



4. Loosen the screw.
Do not remove the screw!

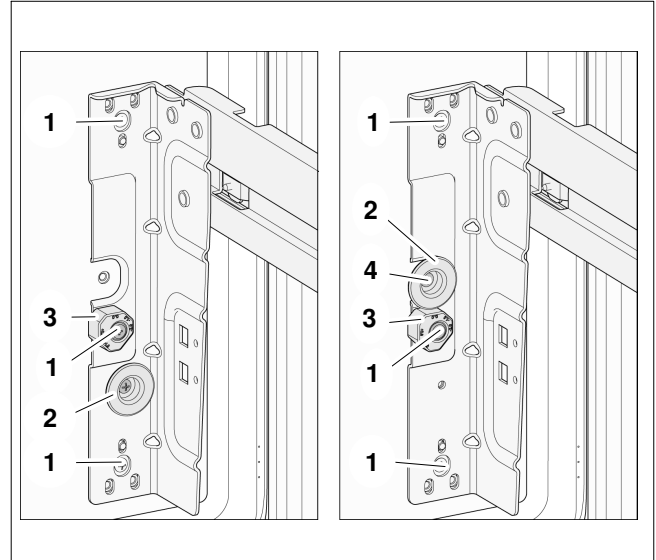


5. Move the hinge sideways to adjust the refrigerator door.
6. Tighten the screw.
7. Realign panel.
8. Insert and tighten the five screws.

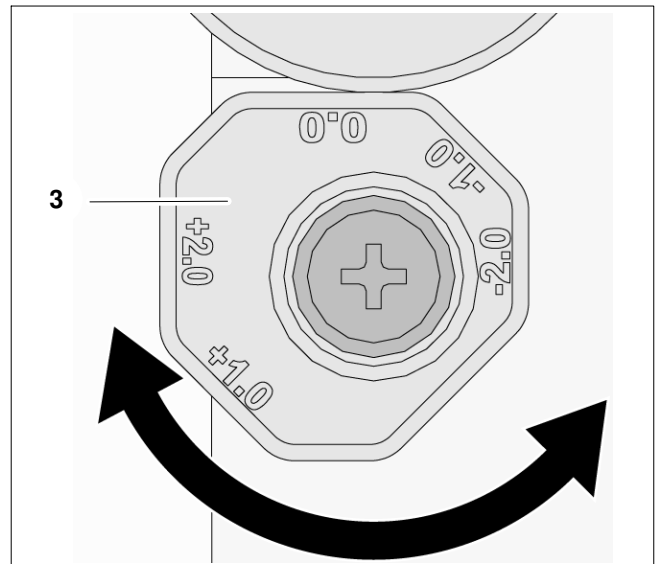
Adjusting the freezer compartment drawer

If the freezer drawer is higher on one side than the other (not even):

1. Loosen the three side screws (1) on the side where adjustment is needed.
2. Move the Stopper (2) from "left picture position" to "right picture position".



3. Adjust the leveling by rotating the Position Knob (3). (Pull and rotate the Position Knob)



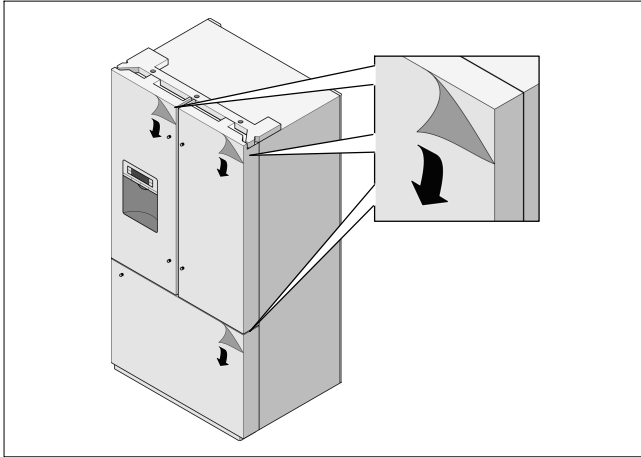
4. After adjusting the leveling, tighten the four side screws (1)+(4).

Installing the handles

Do not install the handles until the appliance is installed in its designated location and is level.

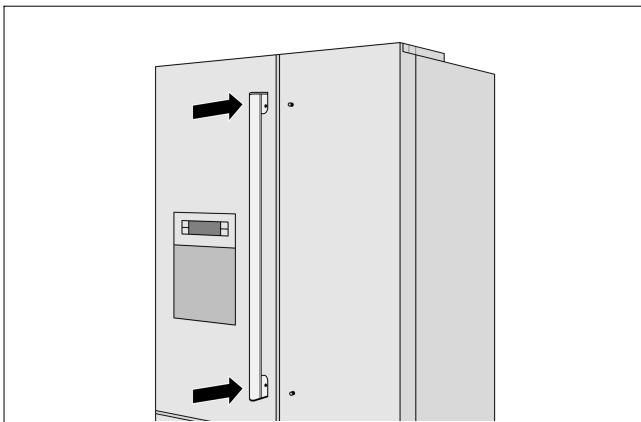
All handles are the same and are installed in the same manner.

1. Remove the protective films from the refrigerator doors and the freezer compartment drawer.

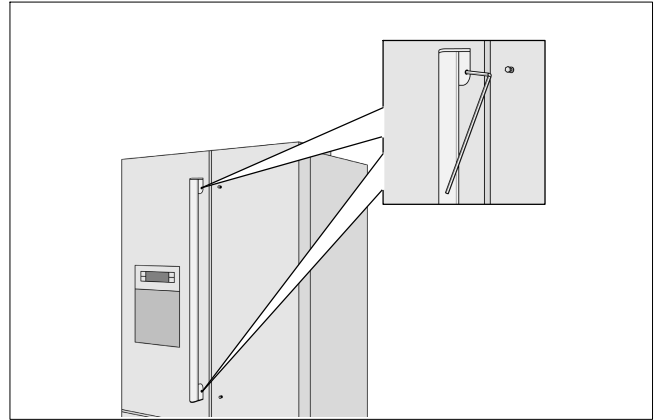


2. Insert the door handles into the guides.

- Refrigerator doors: The handle screws must face the center of the appliance.
- Freezer compartment drawer: The handle screws must face down.

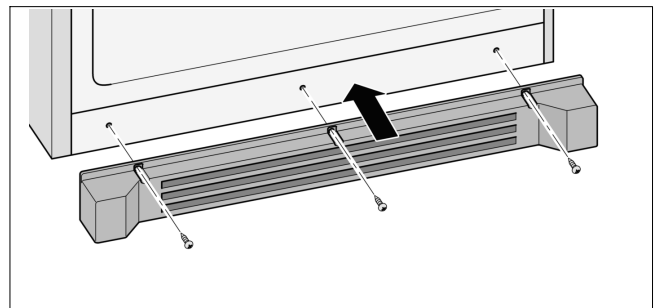


3. Tighten the handle screws with the accompanying Allen wrench.

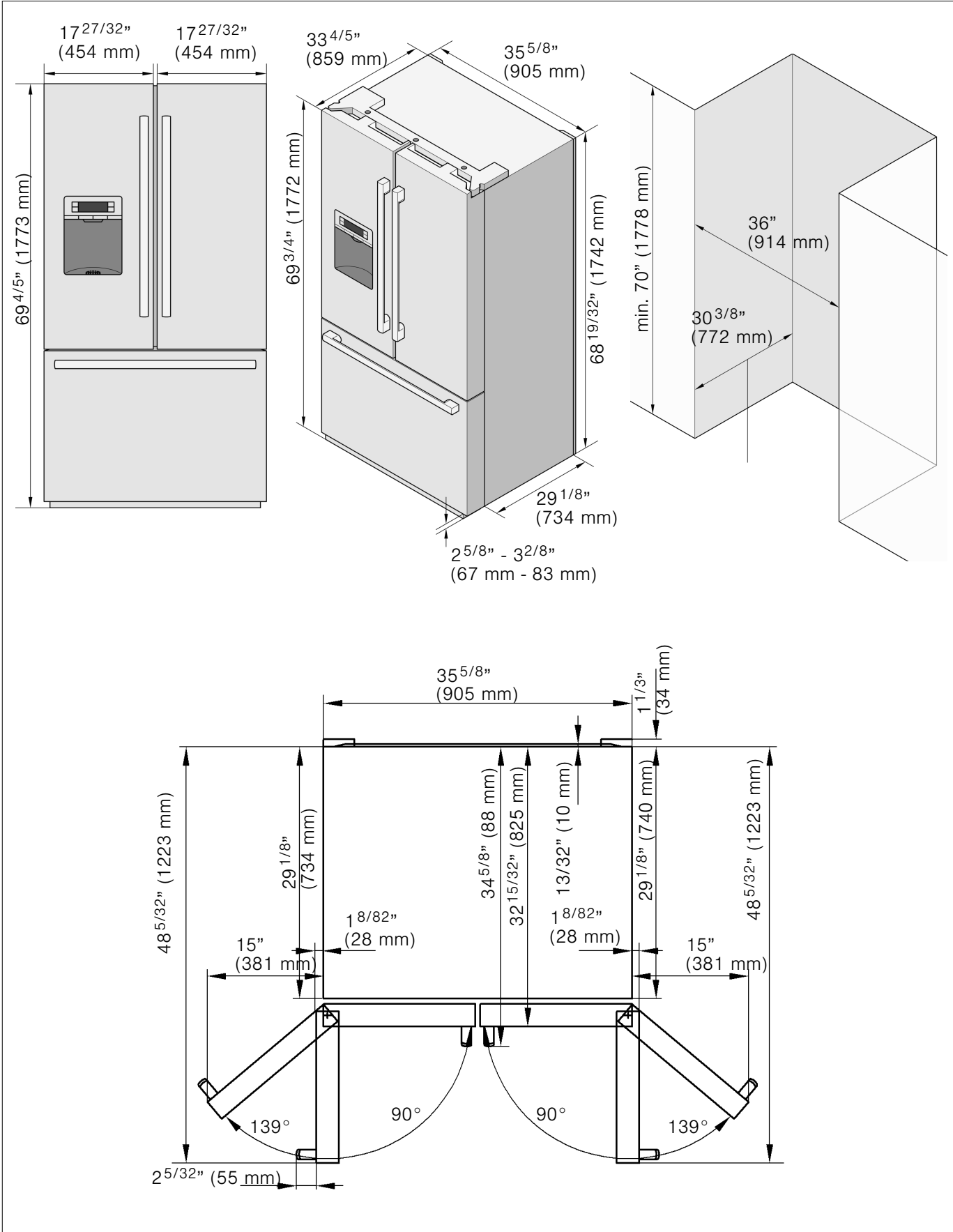


Installing the base plate

1. Remove the three screws on the appliance.
2. Mount the base plate.
3. Insert the three screws and tighten.

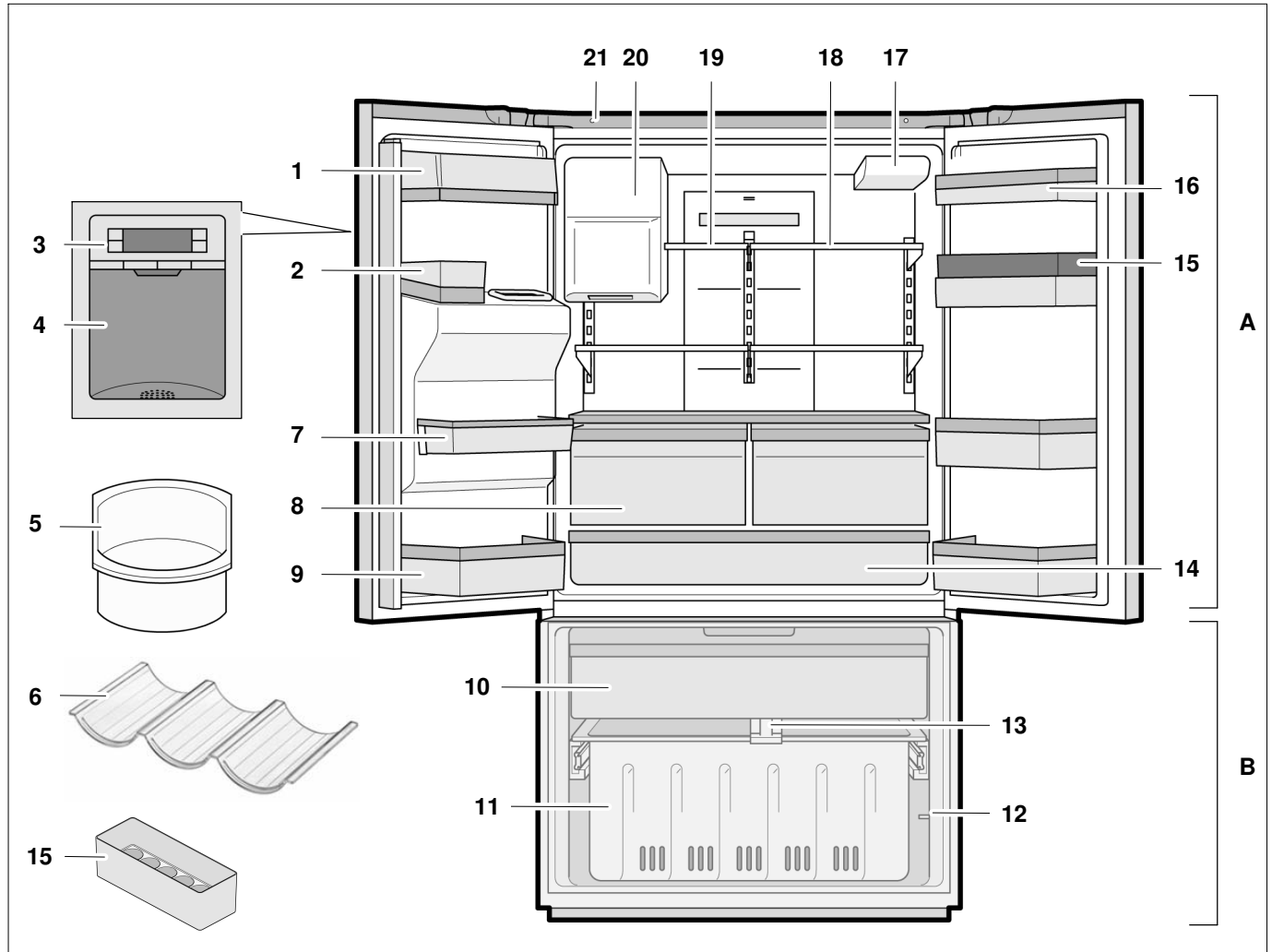


Appliance and installation dimensions



Getting to know your appliance

These operating and installation instructions apply to several models. The illustrations may differ from your particular model.



A Refrigerator compartment can be adjusted between 33 °F (+1 °C) and 45 °F (+7 °C)

B Freezer compartment can be adjusted between 5 °F (-15 °C) and -7 °F (-22 °C)

- 1 Butter and cheese compartment
- 2 Can bin
- 3 Control and display panel
- 4 Ice and water dispenser
- 5 Ice storage bin
- 6 Wine Wave (B26FT8...)
- 7 Door bin

- 8 VitaFresh Pro compartment with LED light (B26FT8...)
Crisper drawers (B26FT5...)
- 9 Removable door bin
- 10 Top freezer drawer
- 11 Bottom freezer drawer
- 12 Freezer compartment light switch
- 13 Freezer compartment divider
- 14 Deli drawer with LED light (not all models)
- 15 Egg tray
- 16 Door bin
- 17 Water filter
- 18 Adjustable glass shelf
- 19 Small glass shelf
- 20 Ice maker/Ice cube container
- 21 Refrigerator compartment light switch

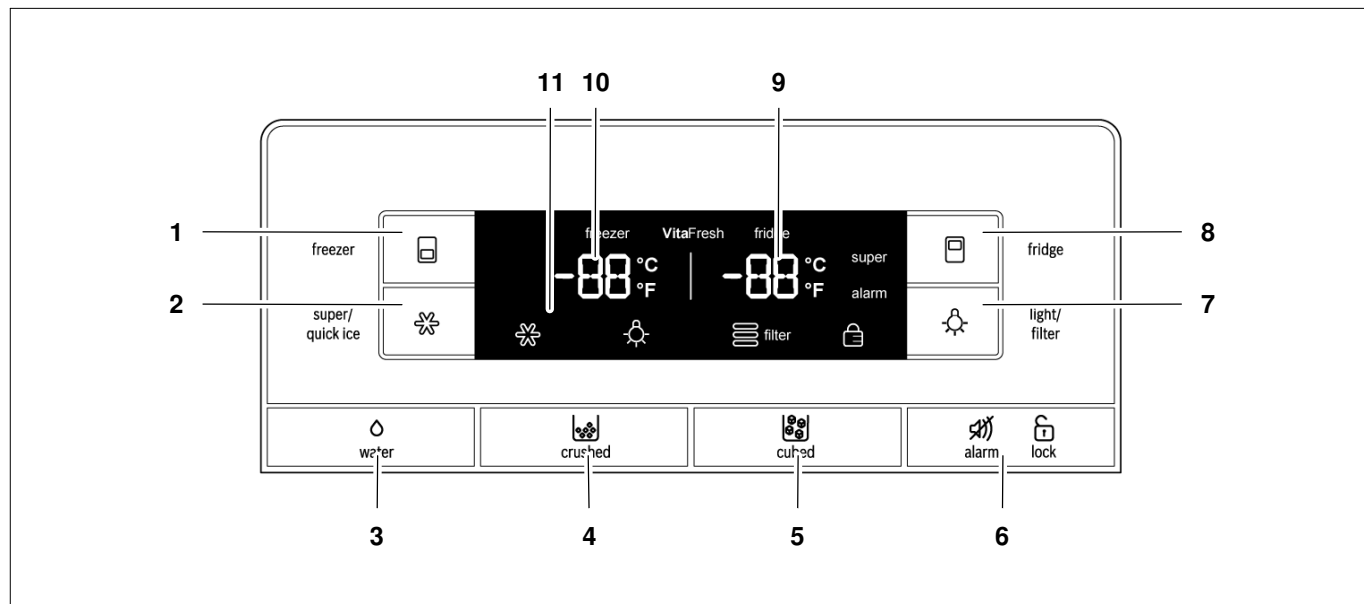
Control and display panel

The control and display panel on the left refrigerator door consists of a touch pad.

Touch the keypad to activate the corresponding function.

The light of the control and display panel goes out after approx. 1 min when no keypad was touched.

The illustration may differ from your particular model.



1 “freezer” button

Button for

- adjusting the freezer compartment temperature
- switching the “Super freeze” function on/off.

2 “super/quick ice” button

Quick ice cube production on/off switch.

3 Water dispenser button

4 Crushed ice dispenser button

5 Ice cube dispenser button

6 “alarm/lock” button

Button for

- switching the warning signal off
- switching panel lock on/off.

7 “light/filter” button

Button for

- switching the ice and water dispenser light on/off
- reset the filter indicator.

8 “fridge” button

Button for

- adjusting the temperature in the refrigerator compartment
- switching the “Super cool” function on/off.

9 Refrigerator compartment temperature display

Displays the temperature set for the refrigerator compartment.

10 Freezer compartment temperature display

Displays the temperature set for the freezer compartment.

11 Symbols on the display panel



“quick ice”

Appears when the “quick ice” function is on.



“light”

Appears when the ice and water dispenser light is on.



“water filter”

Displays the status of the filter cartridge.



“panel lock”

Appears when the panel lock is on.

Operating tips

Opening and closing the refrigerator compartment doors

The refrigerator compartment doors can be opened and closed independently.

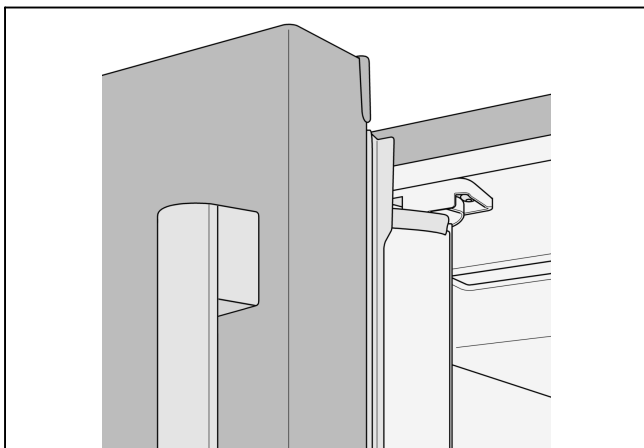
The left refrigerator compartment door has a foldaway door bar.

NOTICE

Risk of damage to the appliance!

The door bar could become damaged if you attempt to close the left refrigerator compartment door when the door bar is not folded back.

Before closing the refrigerator compartment doors, make sure that the door bar is folded at a right angle to the door.



When closing the left refrigerator compartment door, the door bar folds behind the right refrigerator compartment door, forming a seal between the refrigerator compartment doors.

Switching on the appliance

NOTICE

After installing the appliance, wait at least 8 hours before plugging in the appliance. The oil in the compressor may have flowed into the refrigeration system during transport.

Connect the appliance plug to the outlet.

After the appliance has been plugged in, the refrigeration process will begin. The interior light in the refrigerator compartment switches on when the door is open.

It will take several hours for the inside of the appliance to reach the temperatures set at the factory. Do not place food in the appliance until these temperatures are reached.

Initial temperature

Refrigerator compartment: 39 °F (+4 °C)

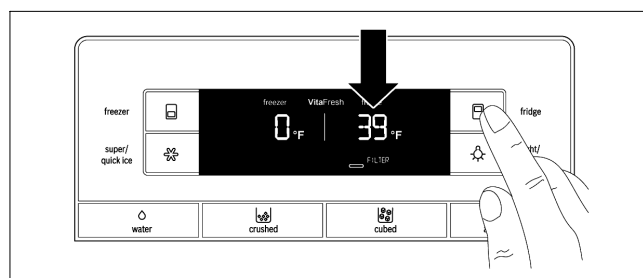
Freezer compartment: 0 °F (-18 °C).

Setting the temperature

Refrigerator compartment

The temperature can be adjusted between 33 °F (+1 °C) up to 45 °F (+7 °C).

Press the "fridge" button until the desired refrigerator compartment temperature is set.



The most recent temperature value will be stored.

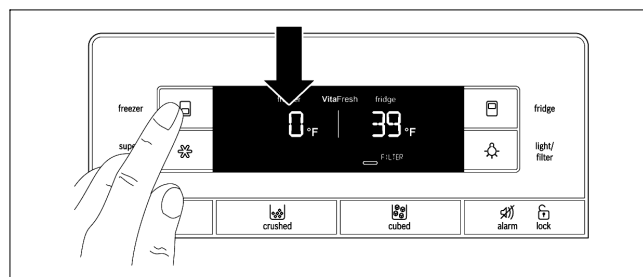
We recommend a setting of 39 °F (+4 °C).

Perishable foods should not be stored at temperatures higher than 39 °F (+4 °C).

Freezer compartment

The temperature can be adjusted between 5 °F (-15 °C) and -7 °F (-22 °C).

Press the "freezer" button until the desired freezer compartment temperature is set.



The most recent temperature value will be stored.

We recommend a setting of 0 °F (-18 °C).

Alarm function

The appliance has two different warning signal sounds. When the temperature alarm is activated, a continuous beep sounds. When the door alarm is activated, a beep sounds 6 times every minute.

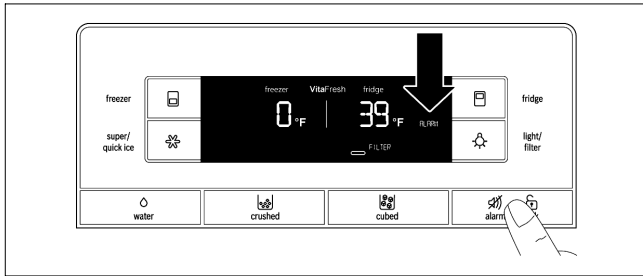
Refrigerator compartment

The word "alarm" will appear on the right on the display panel.

To switch off the warning signal:

Press "alarm/lock" or close the refrigerator compartment doors.

The word "alarm" will blink on the display panel until the temperature is close to the set temperature.



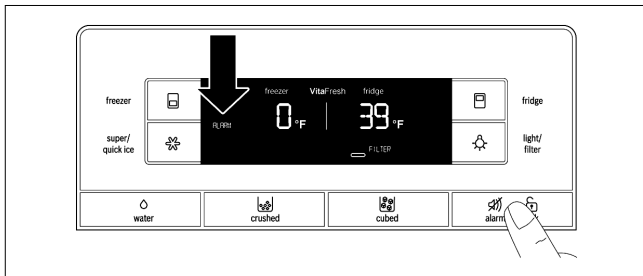
Freezer compartment

The word "alarm" will appear on the left on the display panel.

To switch off the warning signal:

Press "alarm/lock" or close the freezer compartment drawer.

The word "alarm" will blink on the display panel until the temperature is close to the set temperature.



Panel lock

When the panel lock is activated, all of the buttons on the control and display panel are locked.

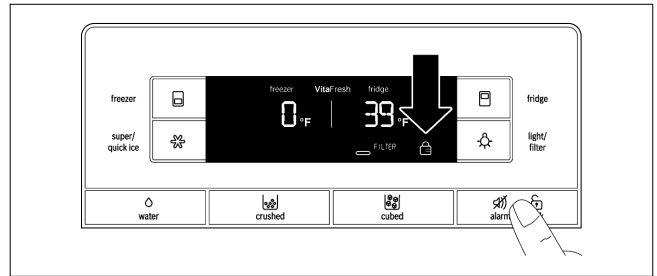
NOTICE

When the panel lock is activated, use the "alarm/lock" button to switch off the warning signal.

To switch the panel lock on or off:

Press "alarm/lock" for 2 seconds.

The "panel lock" symbol appears when the panel lock is activated.



Super cooling

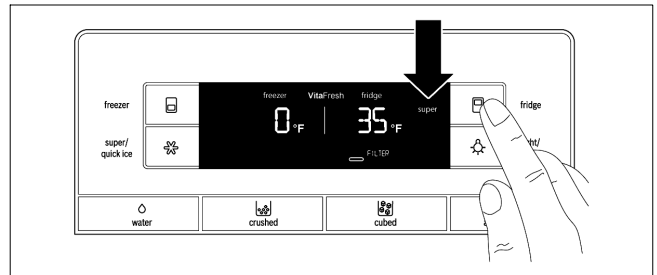
Super cooling cools the refrigerator compartment down as low as possible for approximately 6 hours. The temperature is then automatically reset to 39 °F (+4 °C).

Super cooling is particularly recommended for the following:

- Before placing large quantities of food in the refrigerator compartment.
- To cool drinks quickly.

To switch on super cooling:

Press "fridge" until "super" appears on the right on the display panel.



To switch off super cooling:

Press "fridge".

The word "super" disappears on the display panel. The temperature is automatically set to the previous setting temperature.

Super freezing

Food should be frozen as quickly as possible in order to retain their vitamins, nutritional value, appearance and flavor.

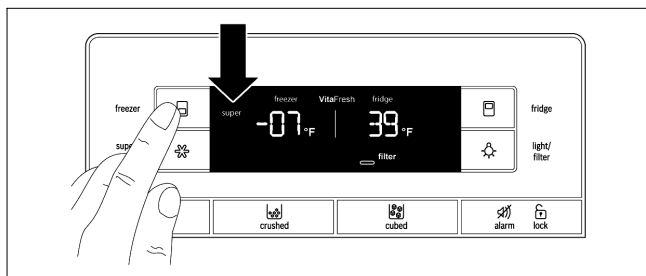
To prevent an undesirable rise in temperature when placing fresh food in the freezer compartment, switch on super freezing several hours beforehand.

As a rule, 4 to 6 hours is adequate. Allow for a minimum of 24 hours if planning to use the maximum freezing capacity.

Smaller quantities of food can be frozen without super freezing.

To switch on super freezing:

Press "freezer" until "super" appears on the left on the display panel.



To switch off super freezing:

Press "freezer".

The word "super" disappears on the display panel. The temperature is automatically set to the previous setting temperature.

NOTICE

Super freezing switches off automatically after approximately 2 days.

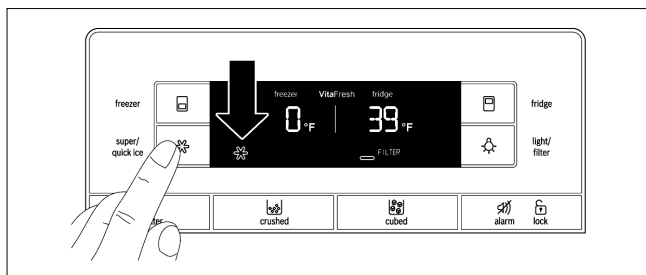
Quick ice

Use this function to accelerate the production of ice cubes temporarily.

To switch on quick ice:

Press "super/quick ice".

The "quick ice" symbol appears on the display panel.







When the ice cube container is full, quick ice automatically shuts off after a few hours.

NOTICE

When quick ice is activated, the power of the appliance is increased temporarily. This increases its energy consumption.

Water filter symbol

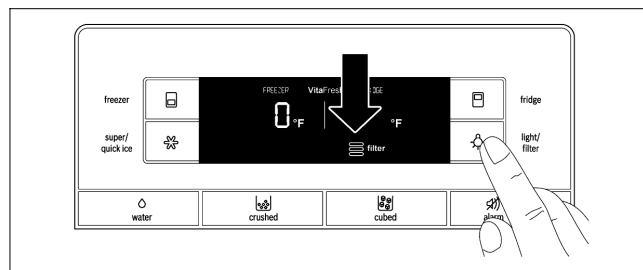
The symbol indicates the filter cartridge's period of use.

-  Up to two months.
-  Up to four months.
-  Up to six months.
-  After six months, the symbol flashes. Replace the filter cartridge.

When the appliance is turned off, the water filter symbol is reset.

To reset the water filter symbol after replacing the filter cartridge:

Press and hold the "light/filter" button for 3 seconds.



The symbol stops flashing.

Temperature unit

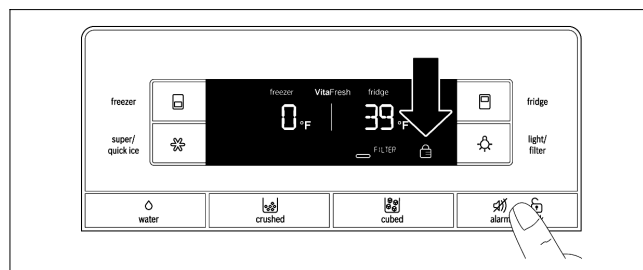
The temperature can be displayed in degrees Fahrenheit (°F) or Celsius (°C).

After the appliance is switched on, the temperature appears in degrees Fahrenheit (°F).

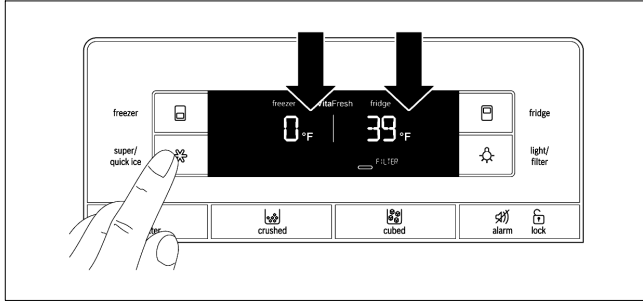
To set the temperature unit:

Press "alarm/lock" for 2 seconds.

The "panel lock" symbol appears.



Press and hold "super/quick ice" for 15 seconds until the temperature unit switches.



Refrigerator compartment



WARNING

Risk of explosion!

Never store products containing flammable propellants (such as spray cans) or explosive or easily combustible substances in the appliance.

Bottles containing a high percentage of alcohol must be tightly sealed and stored in an upright position.

Using the refrigerator compartment

For storage of ready meals, cakes and pastries, canned food, condensed milk, cheese, spreads, sauces, dips and eggs.

Follow these guidelines when storing food:

- Allow warm food and drinks to cool down outside the appliance.
- Place food in airtight containers to prevent it from losing its flavor or drying out.
- To prevent poor air circulation in the appliance, do not block ventilation openings with food.
- Avoid contact of oil and grease with plastic parts and door seal.

VitaFresh Pro compartment

(not included on all models)

The temperature inside the VitaFresh Pro compartment is kept at almost 32 °F (0 °C). The low temperature provides optimum storage conditions for perishable food.

Food can be stored much longer in the VitaFresh Pro compartment than in the regular refrigerator compartment without losing its freshness.

The VitaFresh Pro compartment is covered by a special humidity filter. The special humidity filter optimizes the humidity in the VitaFresh Pro compartment. Depending on how full the VitaFresh Pro compartment is, the humidity can reach up to 90 percent which is ideal for all garden and field products such as vegetables, lettuces, herbs and fruit.

VitaFresh Pro is suitable for:

Basically any food that is fresh and is to be kept fresh longer, such as meat and meat products, fresh fish, seafood, milk, butter, soft cheese, cottage cheese, certain fruits and vegetables.

VitaFresh Pro is not suitable for:

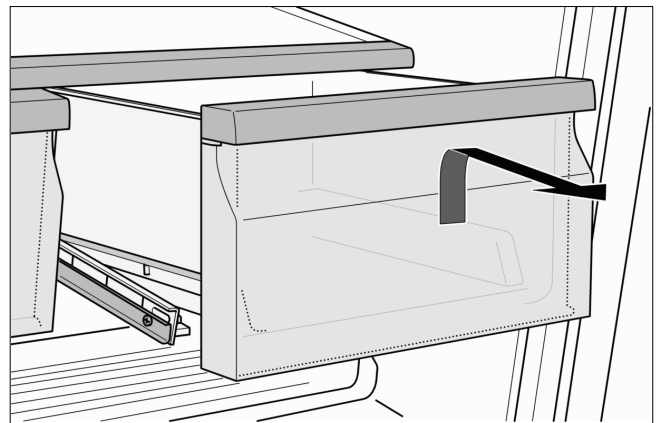
Fruit and vegetables sensitive to cold, such as tropical fruits, avocados, papayas, passion fruit, eggplant, cucumbers, bell peppers as well as fruit that has to ripen, green tomatoes and potatoes.

When buying food, please note:

The "freshness at purchase" is important for the storage life of your food. In general, the fresher the products are when placed in the Vita Fresh compartments, the longer they will stay fresh. Therefore, when purchasing food, always check how fresh it is.

Removing the VitaFresh Pro drawers

1. Pull out the VitaFresh Pro drawers as far as possible.
2. Lift up the front of the VitaFresh Pro drawers and pull them out.



3. Inserting the VitaFresh Pro drawers: Insert the VitaFresh Pro drawers into the rail and push toward the back.

Deli drawer

(not included on all models)

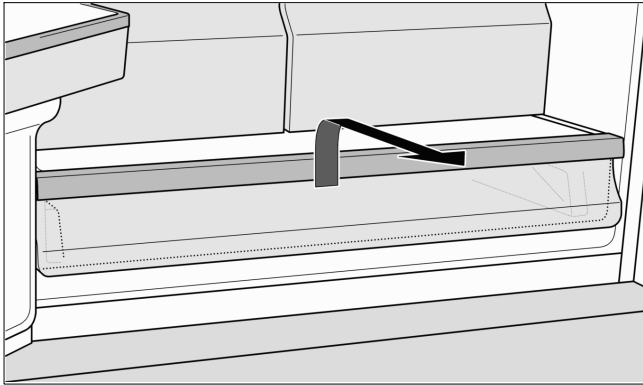
The temperature in the deli drawer is kept at a constant temperature just below freezing. This provides optimum storage conditions for meat and meat products, fish, seafood, dairy products as well as hard and soft cheese.

NOTICE

Never store foods that are sensitive to cold in the deli drawer.

Removing the deli drawer

1. Pull out the deli drawer as far as possible.
2. Lift up the front of the deli drawer and pull it out.

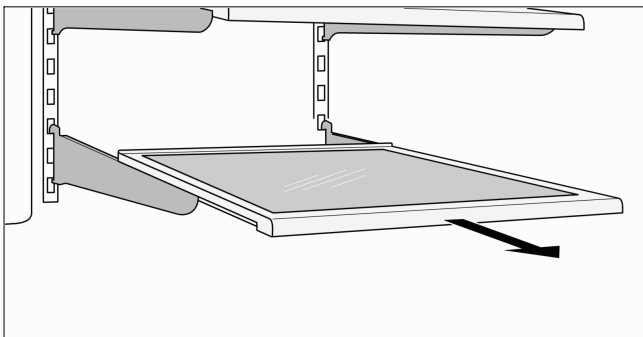


3. Inserting the drawer: Insert the deli drawer into the rail and push toward the back.

Variable interior design

Glass shelves

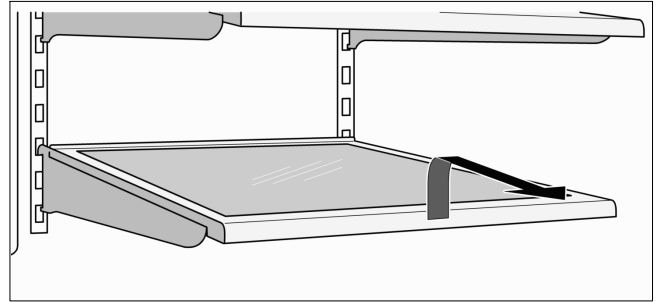
The adjustable glass shelves can be removed.



You can pull out the adjustable glass shelves and place them at varying heights.

Removing a glass shelf

Lift up and pull the shelf toward you. Unhook and then remove the shelf.

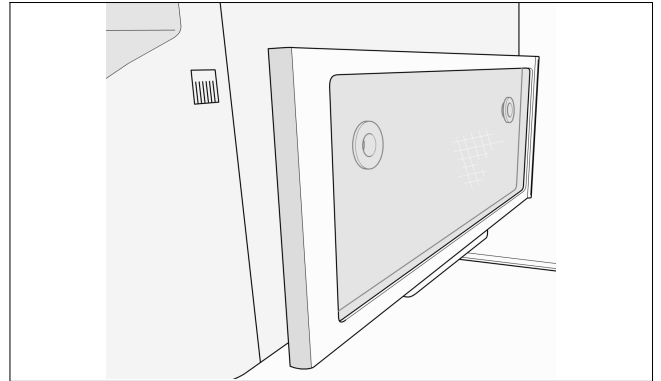


Installing the glass shelf

Lift up the front of the shelf and insert the hooks into the openings at the desired height. Lower the front of the shelf.

Partial shelf

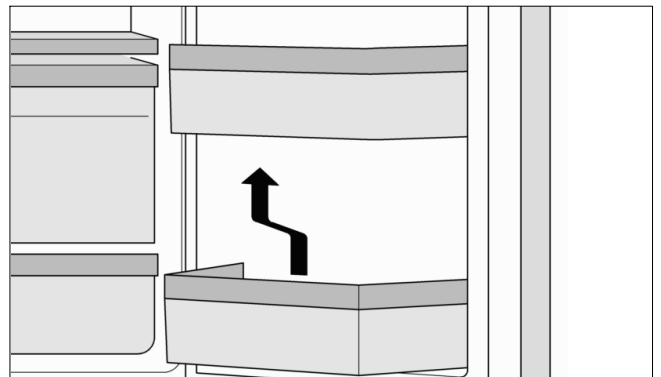
The glass shelf can be removed and placed in the holder underneath the ice maker. This provides room to place taller items such as tall bottles next to the ice maker.



Door bins

To remove door bins:

Lift door bin and take it out.

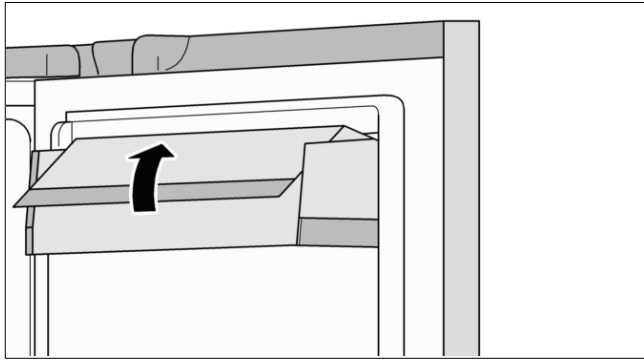


To install door bins:

Place the door bin above the bracket at the desired height and press down.

Butter and cheese compartment

Raise the cover on the butter and cheese compartment.



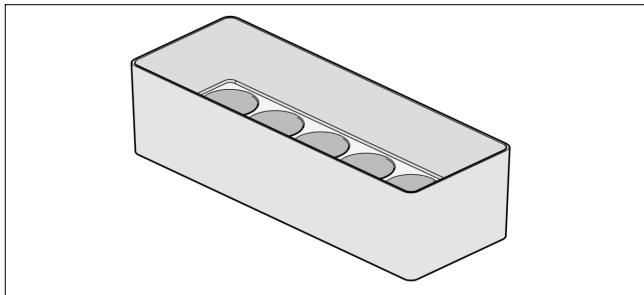
To remove the butter and cheese compartment:

Lift up the compartment and take it out.

To install the butter and cheese compartment:

Place the compartment above the bracket at the desired height and press down.

Egg tray



Freezer compartment



WARNING

Risk of explosion!

Never store products containing flammable propellants (such as spray cans) or explosive or easily combustible substances in the appliance.

NOTICE

Make sure that the freezer compartment drawer is always kept closed. The frozen food will thaw if the freezer compartment drawer is open. The freezer compartment will become covered with thick ice. Also: Energy will be lost due to high power consumption.

When the freezer compartment door is closed, low pressure occurs inside the compartment.

If you cannot reopen the freezer compartment door right away, wait two to three minutes until the low pressure has adjusted itself.

Use the freezer compartment to

- store deep-frozen food
- freeze food
- make and store ice cubes.

Freezing food

Freeze fresh and undamaged food only. Separate food to be frozen from food that is already frozen. Place food in airtight containers to prevent it from losing its flavor or drying out.

How to wrap food correctly:

1. Place food in packaging.
2. Press out any air.
3. Seal the packaging.
4. Label the package with the contents and date.

Items not suitable for wrapping food:

Wrapping paper, greaseproof paper, cellophane, garbage bags and used shopping bags.

Items suitable for wrapping food:

Plastic film, polyethylene blown film, aluminum foil and freezer cans.

These products can be purchased from your retailer.

Items suitable for sealing wrapped food:

Rubber bands, plastic clips, string, cold-resistant adhesive tape or similar items.

Bags and polyethylene blown film can be sealed with a film sealer.

Storage life of frozen food

The storage life depends on the type of food. At a temperature setting of 0 °F (-18 °C):

- Fish, sausage, ready meals and cakes and pastries:
up to 6 months
- Cheese, poultry and meat:
up to 8 months
- Fruit and vegetables:
up to 12 months.

Purchasing and storing deep-frozen food

Follow these guidelines when purchasing deep-frozen food:

- Make sure the packaging is not damaged.
- Check the "sell by" date.
- The temperature of the supermarket freezer should be lower than 0 °F (-18 °C). If not, this shortens the storage life of the frozen food.
- Pick up deep-frozen food last when shopping. Wrap in newspaper or place in a cold bag and take home.
- At home, immediately place deep-frozen food in the freezer compartment. Use the deep-frozen food before the "sell by" date.

Thawing frozen food



CAUTION

Risk of poisoning!

Do not refreeze food that is beginning to thaw or has already thawed. The food cannot be refrozen until it has been prepared (boiled or fried). Do not store these refrozen products for the maximum storage period.

Depending on the type of food and its intended use, frozen food can be thawed as follows:

- at room temperature
- in the refrigerator
- in an electric oven with/without fan-assisted hot air
- in the microwave.

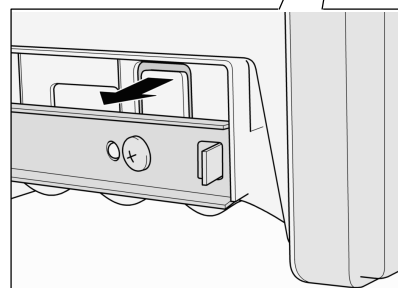
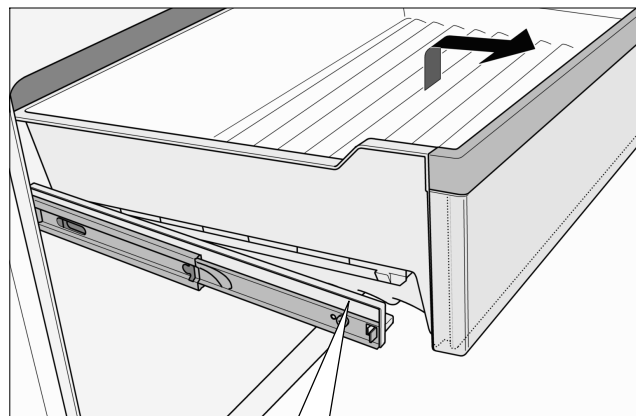
Freezer compartment features

Top freezer drawer

The freezer drawer can be removed.

To remove the top freezer drawer:

1. Pull out the top freezer drawer as far as possible.
2. Carefully pull out the clips on both sides and lift up the front of the freezer drawer.
3. Pull out the freezer drawer.

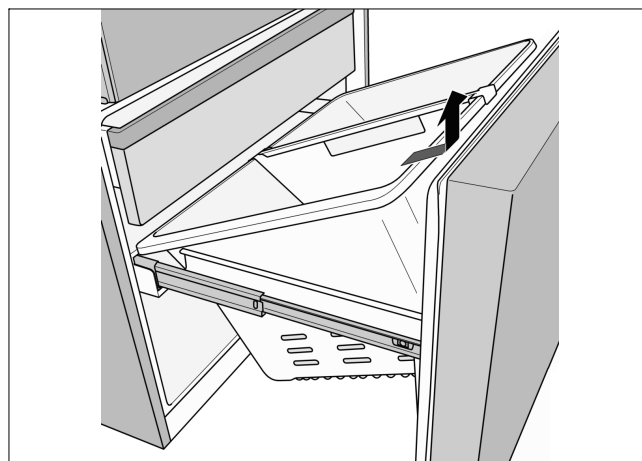


Bottom freezer drawer

The freezer drawer can be removed.

To remove the bottom freezer drawer:

Lift the freezer drawer up and out.



Ice and water dispenser

The following may be dispensed as necessary:

- cooled water,
- crushed ice,
- ice cubes.



WARNING

Risk of injury from broken glass!
Never use fragile glassware to catch ice when dispensed.



WARNING

Risk of injury from rotating crusher blades!
Never reach into the ice cube dispenser opening.

NOTICE

Risk of damage to the appliance!
 Do not place bottles or food in the ice cube container in order to cool them quickly. The ice maker may become blocked and damaged.

When switching on the appliance, note the following

The ice and water dispenser only works when the appliance is connected to the water supply.

After the appliance has been switched on, it will take 24 hours before the first batch of ice cubes are ready.

When the appliance is connected, air bubbles will still be in the lines.

Extract the drinking water and discard until water can be dispensed without bubbles. Discard the first five glasses of water.

When using the ice maker for the first time, discard the first 30 to 40 ice cubes. Do not use ice cubes for hygienic reasons.

Operating the ice maker

Once the freezer compartment has reached its freezing temperature, water flows into the ice maker and freezes into ice cubes. The ice cubes are automatically discharged into the ice cube container when they are ready.

The sides of the ice cubes may occasionally stick together. They usually break away from each other as they move to the dispenser opening.

Ice making switches off automatically when the ice cube container is full.

The ice maker can make approximately 100 ice cubes within 24 hours when ice cubes are discharged several times during the day.

As the ice cubes are being made, the sound of the buzzing water valve, the water flowing into the ice storage bin and the falling ice cubes can be heard.

Drinking water quality



CAUTION

The water filter included with the appliance only filters out particles from the supplied water and does not filter out bacteria or microbes.

All materials used in the water dispenser are odorless and tasteless.

If the water has an aftertaste, this may be caused by:

- Mineral and chlorine content in the drinking water
- Materials from which the domestic water line or connection line are made
- Freshness of the drinking water. If water has not been dispensed for an extended period of time, the water may have a "stale" taste. In this case, dispense approx. 15 glasses of water and discard.

The taste and smell of the water can be improved by installing the included filter cartridge at the water intake point.

Dispensing water

1. Hold an appropriate receptacle under the ice and water dispenser.
2. Keep the water dispenser button pressed until the desired amount of water is in the receptacle.



Tip:

The water from the water dispenser is cooled to a palatable temperature. If you would like colder water, place ice cubes in the glass before dispensing the water.

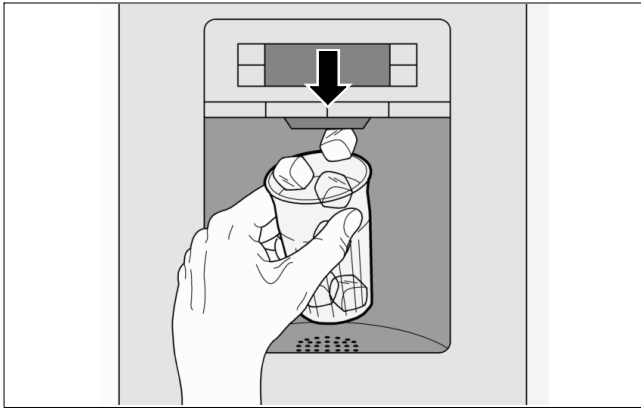
Dispensing ice

NOTICE

Keep the ice cube or crushed ice button pressed and then stop once the desired amount of ice is in the receptacle. Ice in the ice cube dispenser opening may otherwise overfill the receptacle or block the ice cube dispenser opening.

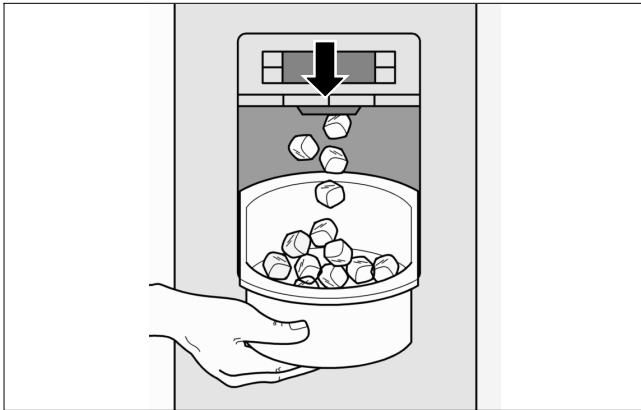
If crushed ice was dispensed before ice cubes are dispensed, some crushed ice may still be in the ice cube dispenser opening. The crushed ice will be dispensed with the first batch of ice cubes.

1. Hold an appropriate receptacle under the ice and water dispenser.
2. Keep the ice cube or crushed ice button pressed until the desired amount is in the receptacle.



Ice storage bin

The ice storage bin stores a reserve supply of ice cubes the freezer compartment. The ice storage bin fits perfectly into the ice and water dispenser due to its shape.



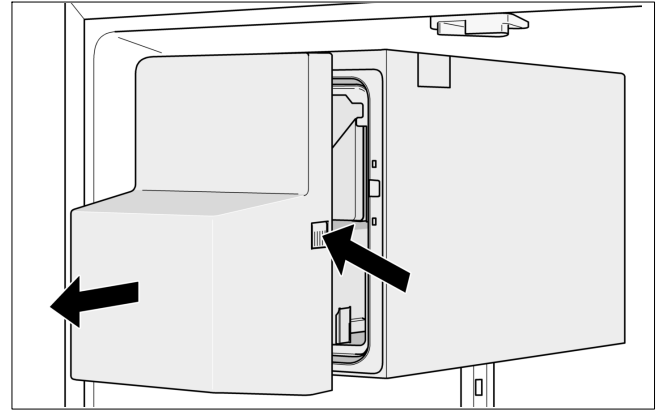
Disconnecting the ice maker

NOTICE

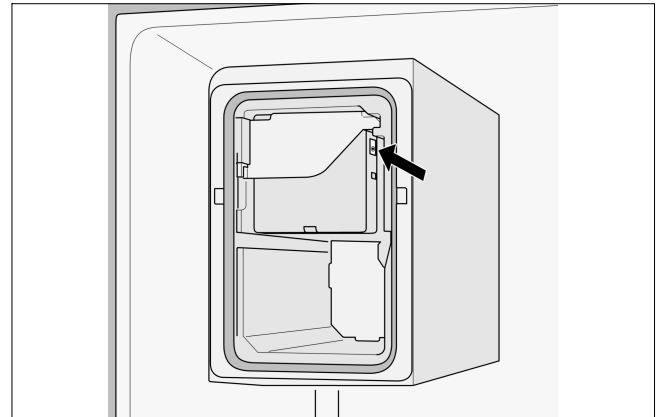
Make sure to shut off the water supply to the appliance a few hours before disconnecting the ice maker.

If ice cubes will not be dispensed for more than 1 week (such as due to vacation), temporarily disconnect the ice cube maker to prevent the ice cubes from freezing together.

1. Press the release button and remove the ice cube container.



2. Press the button for 3 seconds (led lamp is off) behind the ice cube container - the ice maker is deactivated.



3. Empty and clean out the ice cube container.
4. Push the ice cube container all the way back onto the supports until it locks into position.

Reactivating the ice maker:

- Press the button for 3 seconds (led lamp is on) behind the ice cube container - the ice maker is activated.

Water filter



CAUTION

Do not use the appliance in places where the water quality is unsafe or unknown without taking suitable disinfection precautions before and after filtering.

A filter cartridge for filtering particles can be obtained from customer service.

The water filter should be replaced after 6 months at the latest.

After 6 months, the flashing water filter symbol prompts you to replace the filter cartridge (see "Water filter symbol").

Other connection requirements

Do not install the filter cartridge if the water pressure exceeds 116 psi (8.0 bar).

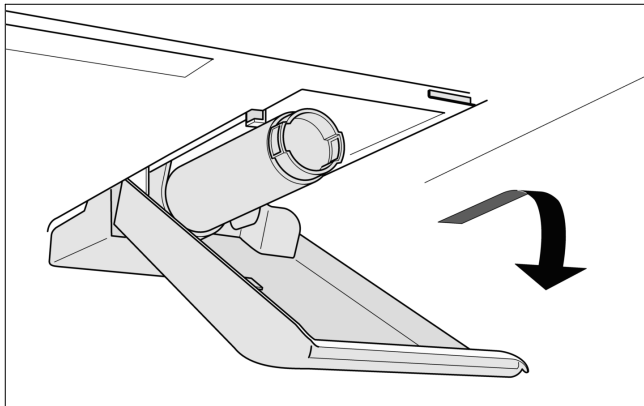
If the water pressure exceeds 80 psi (5.5 bar), a pressure reducing valve must be installed.

Important note

- Rinse the water system thoroughly if the appliance has not been used for a long period of time, or the water has an unpleasant taste or smell. To do this, extract water from the water dispenser for several minutes. Replace the filter cartridge if the unpleasant taste or smell persists.
- The ice maker and water dispenser can be used without the filter cartridge. In this case, replace the water filter with the bypass cap.

Installing and replacing the filter cartridge

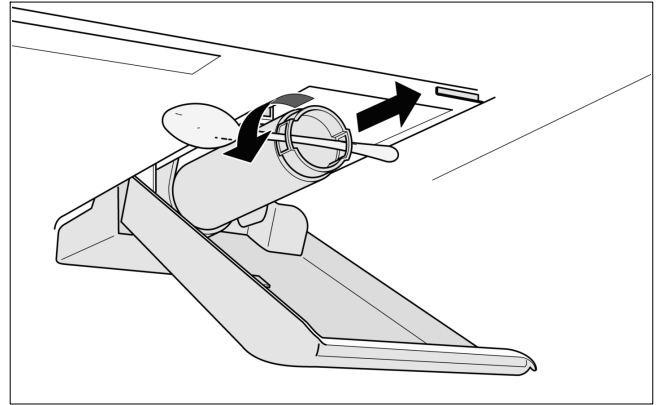
1. Pull out and then lower the cover.



NOTICE

Remove the filter cartridge carefully!
The water system is under low pressure after use.

2. Carefully turn the filter cartridge 90° anti-clockwise e.g. with a spoon and pull it out.

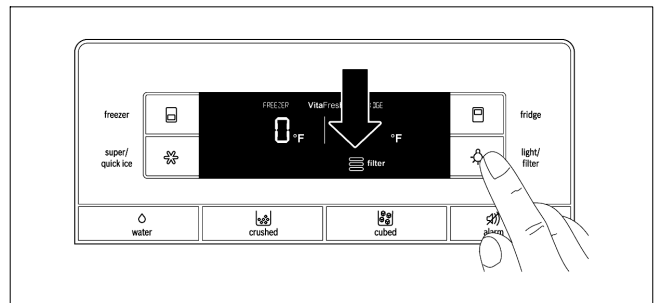


3. Take the new filter cartridge out of its packaging and remove the safety cap.
4. Insert the new filter cartridge and carefully rotate 90° clockwise as far as it will go e.g. by using a spoon.

NOTICE

The filter cartridge must be tightened by hand so that no leaks occur and the appliance is sufficiently provided with water.

5. Raise the cover up and lock it in place.
6. Turn on the water supply to the appliance.
7. Draw about a gallon of water from the water dispenser. This will remove air from the water system.
8. Pour out the water in the used filter cartridge. The filter cartridge can be disposed of in the household garbage.
9. Press and hold the "light/filter" button for 3 seconds. The water filter symbol is reset. The symbol stops flashing. The new filter cartridge is activated.



Performance data sheet

Model: 9000 077 508, 9000 705 475 and 9000 225 170

Use Replacement Cartridge 9000 674 655

The concentration of the indicated substances in water entering the system was reduced to a concentration less than or equal to the permissible limit for water leaving the system as specified in NSF/ANSI Standard 42 and Standard 53.



System tested and certified by NSF International against NSF/ANSI Standard 42 and Standard 53 for the reduction of the claims specified on the Performance Data Sheet.

Capacity 739.68 Gallons (2,800 Liters)

Contaminant Reduction Determined by NSF testing.

Contaminant Reduction	Average Influent	NSF specified Challenge Concentration	Avg % Reduction	Average Product Water Concentration	Max Permissible Product Water Concentration	NSF Reduction Requirements	NSF Test Report
Chlorine Taste and Odor	2.1 mg/L	2.0 mg/L ±10 %	97.6 %	0.05 mg/L	N/A	≥ 50 %	J-00121313
Nominal Particulate Class I, ≥ 0.5 to < 1.0 µm	9,100,000 pts/mL	At least 10,000 particles/mL	98.8 %	111,817 pts/ml	N/A	≥ 85 %	J-00099871
Cysts *	170,000 cysts/L	Minimum 50,000 cysts/L	99.99 %	0.001 cyst/L	N/A	≥ 99.95 %	J-00109715

* Based on the use of Cryptosporidium parvum oocysts.

Application Guidelines/Water Supply Parameters	
Service flow	0.75 gpm (2.83 lpm)
Water Supply	Potable Water
Water pressure	30 - 120 psi (207 - 827 kPa)
Water temperature	33 °F - 100 °F (0.6 °C - 38 °C)

It is essential that the manufacturer's recommended installation, maintenance and filter replacement requirements be carried out for the product to perform as advertised. See Installation Manual for Warranty information.

Note: While the testing was performed under standard laboratory conditions, actual performance may vary.

Replacement Cartridge: 9000 674655. For estimated costs of replacement elements please contact your local dealer or call 1-800-578-6890.



WARNING

To reduce the risk associated with ingestion of contaminants:

DO NOT use this product with water that is microbiologically unsafe or of unknown quality without adequate disinfection before or after connection to the system. Systems certified for cyst reduction may be used in disinfected water that may contain filterable cysts.

EPA Establishment Number 10350-MN-005

NOTICE

To reduce the risk associated with property damage due to water leakage or flooding:

Read and follow all Instructions before installation and use of this system.

To reduce the risk of water leakage or flooding, and to ensure optimal filter performance:

Change the disposable filter cartridge every six months or sooner if you observe a noticeable reduction in water flow rate.

Failure to replace the disposable filter cartridge at recommended intervals may lead to reduced filter performance and cracks in the filter housing, causing water leakage or flooding.

Energy-saving tips

- Install the appliance in a dry, well ventilated room, but not in direct sunlight and not near a heat source (radiator, stove, etc.). Use an insulating plate, if required.
- Allow warm food and drinks to cool down before placing in the appliance.
- When thawing frozen food, place it in the refrigerator compartment. The low temperature of the frozen products cools the food in the refrigerator.
- Open and close the appliance doors as quickly as possible.

Operating noises

Normal noises

Humming - refrigerating unit is running. The fan in the circulating air system is running.

Bubbling, whirring or gurgling noises - refrigerant is flowing through the tubing or water is flowing into the ice maker.

Clicking - motor is switching on or off. The solenoid valve at the water connection is opening or closing.

Rumbling - ready ice cubes from the ice maker are falling into the ice cube container.

Solving simple noise problems

The appliance is not level

Align the appliance using a level. Use the height-adjustable feet or place something under the feet.

The appliance is touching adjacent units or appliances

Move the appliance away from adjacent units or appliances.

Loose or sticking drawers, baskets or storage areas

Check the removable parts and, if required, reinsert them.

Receptacles are touching each other

Move bottles or receptacles slightly away from each other.

Defrosting

Freezer compartment

The fully automatic No Frost system ensures that the freezer compartment remains free of ice. Defrosting is no longer required.

Refrigerator compartment

Defrosting takes place automatically.

The condensation runs through the drainage hole into an evaporation pan at the rear of the appliance.

Switching off and disconnecting the appliance

Switching off the appliance

Unplug the appliance or switch off the fuse.

Disconnecting the appliance

If the appliance is not used for an extended period of time:

1. It is imperative that you disconnect the water supply to the appliance for a few hours before switching off the appliance.
2. Remove all food from the appliance.
3. Unplug the appliance.
4. Remove and dispose of the filter cartridge.
5. Empty and clean the ice cube container.
6. Clean the appliance interior (see "Cleaning the appliance").

To prevent odors, leave the appliance doors open.

Cleaning



WARNING

Risk of electric shock!

Unplug the appliance or switch off the circuit breaker (or fuse) before cleaning the appliance.



CAUTION

To avoid personal injury or damage to property, observe the following:

Never use a steam cleaner to clean the appliance.

Do not use abrasive or acidic cleaning agents or solvents.

Wipe the lights, the control and the display panel with a damp cloth only. Do not let water used for cleaning drip into the lights or onto the control and display panel.

Do not let cleaning water run into the drainage hole in the evaporation area.

Never clean shelves and containers in a dishwasher. The parts may warp.

Cleaning the appliance

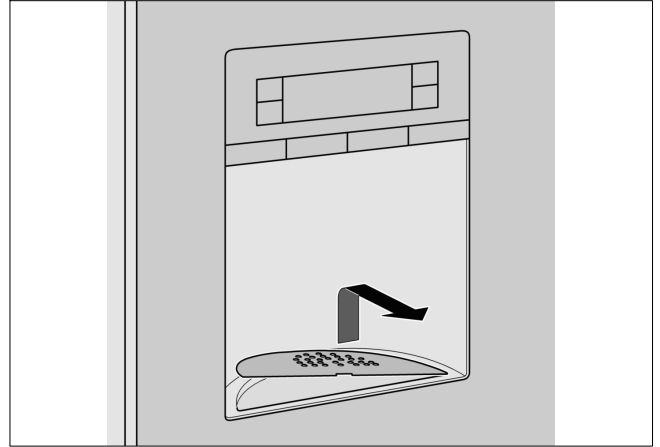
The VitaFresh Pro compartments and deli drawer can be removed for cleaning.

1. Unplug the appliance or switch off the fuse.
2. Remove all food from the appliance and store in a cool location.
3. Clean the appliance with a soft cloth, using lukewarm water and a small amount of pH-balanced dishwashing liquid.
4. Rub dry when done.
5. Wipe the door seal with clear water only and then thoroughly wipe dry.
6. After cleaning, reconnect to switch on the appliance.

Cleaning the water collecting tray

Spilled water collects in the water collecting tray.

Remove the strainer to empty and clean. Wipe out the water collecting tray with a sponge or absorbent cloth.



Cleaning the ice cube container

Ice cubes will shrink, have a stale taste and stick together if they have not been dispensed for an extended period of time.

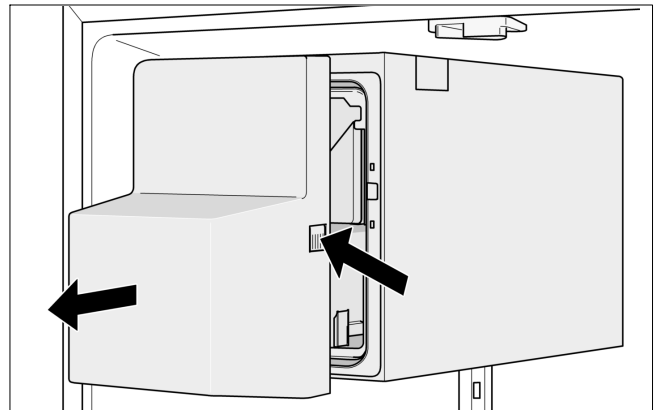


CAUTION

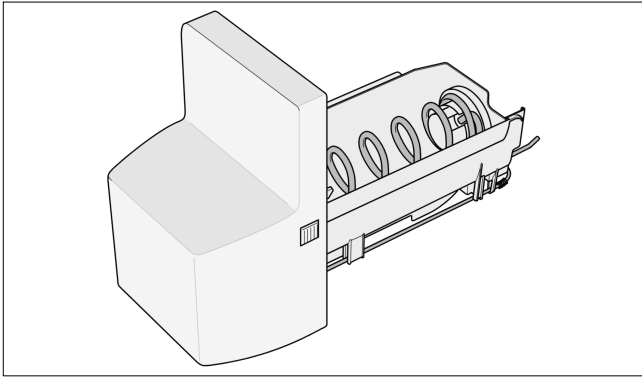
Risk of injury!

A fully filled ice cube container is very heavy. Use caution when removing the ice cube container.

1. Press the release button and remove the ice cube container.



2. Empty the ice cube container and clean with lukewarm water.



3. Thoroughly dry the container and screw conveyor to prevent new ice cubes from sticking.

Inserting the ice cube container

4. Push the ice cube container all the way back onto the supports until it locks into position.

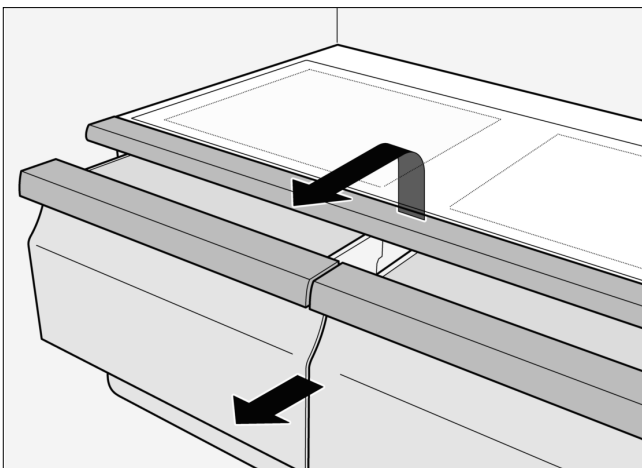
NOTICE

If the container cannot be pushed all the way back, twist the screw conveyor slightly or remove any ice cubes that may have stuck to the insertion area.

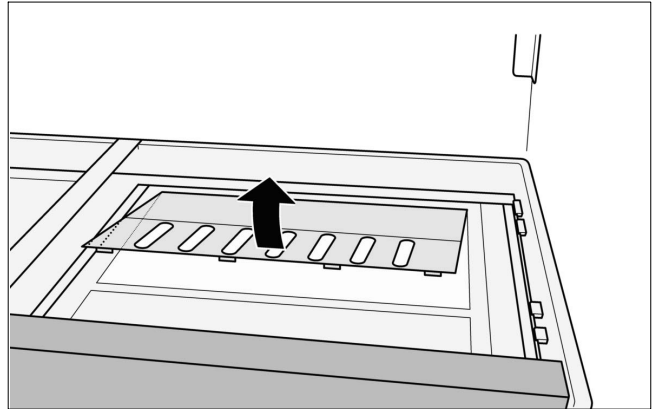
Removing special humidity filter

(not included on all models)

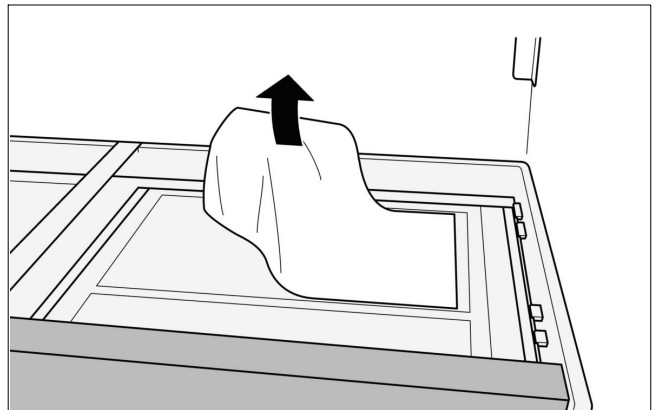
1. Pull out VitaFresh Pro drawers by approx. 4 inches (approx. 10 cm).
2. Flip up the glass plate above the VitaFresh Pro drawers and take them out.



3. Reach between the openings of the cover, carefully unhook the front 4 notches and pull out the cover.



4. Remove the special humidity filter.



5. Clean the special humidity filter with lukewarm water and let it dry.
6. Insert the special humidity filter.
7. Reattach the rear of the cover, move it down and make sure the front part engages.
8. Insert the glass plate and close the VitaFresh Pro drawers.

LED light

The appliance features a maintenance-free LED light.

When the doors are opened, the interior light becomes gradually brighter and when the doors are closed, it gradually dims.

When switched on, the light of the Ice and water dispenser becomes gradually brighter and when switched off, it gradually dims.



CAUTION

Risk of eye injury from Class 1M laser light (IEC 60825)!

Do not look directly into the light with optical instruments.

These lights must be repaired by customer service or authorized technicians only.

Troubleshooting minor issues

Before contacting customer service:

- Please check whether you can troubleshoot the problem yourself based on the following information.

Customer service will charge you for advice, even if the appliance is still under warranty.

Refrigerator compartment and freezer compartment

Problem	Possible cause	Corrective action
The appliance is not cooling, the ice and water dispenser is not working and the display switches between the single functions.	The Demo mode is switched on.	Press the buttons "fridge" and "super/quick ice" at the same time and press the button "light/filter" 5 times.
No display on the display panel, interior light is not working, and the appliance is not working.	The power cord is not plugged in.	Plug in the power cord.
	The fuse has blown or circuit breaker has been tripped.	Replace fuse or reset the circuit breaker. Check if electricity is present at outlet.
	Power outage.	Wait until power has been restored. If necessary, contact an electrician or the utility company.
The interior light is not working.	The light switch to the freezer or refrigerator compartment is sticking.	Check whether the light switch can be moved.
	The LED bulb is defective.	See "LED light".
Food is too cold.	Temperature has been set too low.	Adjust to a higher temperature.
Food is too warm.	Door will not close properly.	Align the appliance with a level. See "Aligning the appliance". Check the position of the drawers and correct, if necessary. Check the door seals and foldaway door bar; if necessary, clean or correct position.
	Temperature has been set too high.	Select a lower temperature.
	Ventilation opening is blocked.	Remove any food blocking the ventilation opening.
	Doors were opened frequently or were open for an extended period of time.	Wait until the temperature in the appliance drops.
	A large amount of fresh food has been placed in refrigerator.	Fresh food must first reach the correct storage temperature.
	Appliance has an unpleasant odor.	Food with a strong odor was placed in the refrigerator. The interior compartment is dirty.
Water droplets are forming on the exterior of the appliance.	Door will not close properly.	Align the appliance with a level. See "Aligning the appliance". Check the position of the drawers and correct, if necessary. Check the door seals and foldaway door bar; if necessary, clean or correct position.
	Humidity is too high.	This may be normal in certain regions.

Problem	Possible cause	Corrective action
Water droplets are forming inside the appliance.	Humidity is too high or doors have been opened frequently.	Do not open doors as frequently or do not keep them open too long.
	The door seals are not tight.	Check the door seals and foldaway door bar; if necessary, clean or correct position.
Drawers can only be closed with great difficulty.	The drawer has not been inserted correctly.	Insert the drawer correctly.
	The drawer rails are dirty.	Clean the drawer rails.

Ice and water dispenser

Problem	Possible cause	Corrective action
The water filter symbol is flashing.	The filter cartridge is old.	Replace the filter cartridge.
	After replacing the filter cartridge, the water filter symbol was not reset.	Reset the water filter symbol.
The ice maker is not making enough ice cubes or the ice cubes are deformed.	The appliance or ice maker was just recently switched on.	It takes approx. 24 hours before it starts making ice.
	A large amount of ice has been taken out.	It takes approx. 24 hours before the ice storage bin is full again.
	Water pressure is too low.	Have the water pressure checked.
The ice maker is not making enough ice cubes or any ice cubes at all.	The filter cartridge is clogged or old.	Replace the filter cartridge.
	An ice cube is jammed on the arm that measures the level of the ice cube container.	Remove the ice cube container and release the jammed ice cubes with a blunt plastic tool. Do not use sharp or pointy objects as this could damage the appliance.
	When switching from ice cubes to crushed ice, an ice cube may become jammed inside the dispenser opening. The ice cube will begin to melt and water will drip into the ice and water dispenser.	Release the jammed ice cube from the dispenser opening using a blunt plastic tool. Do not use sharp or pointy objects as this could damage the appliance.
The ice cube container contains ice cubes that are not being dispensed.	There is a layer of ice on the screw conveyor.	Remove and clean the ice cube container.
	Ice cubes are frozen to one another.	Remove and clean the ice cube container.
The ice maker is not making ice cubes.	The ice maker is switched off.	Switch on the ice maker.
	The appliance is not being supplied with water.	Have a qualified technician check the water connection.
	The water connection line has kinks in it.	Shut off the water supply. Straighten out the kinks. Have damaged water connection lines replaced with original manufacturer parts.
	Water pressure is too low.	Have the water pressure checked.
	Freezer compartment temperature too high.	Set a slightly colder temperature for the freezer compartment.
	The ice cube container is not inserted correctly.	Insert the ice cube container correctly.
	The water connection is installed incorrectly.	If the water connection is not installed correctly, this can cause low water pressure and can damage the appliance.

Problem	Possible cause	Corrective action
Very little or no water is dispensed from the water dispenser.	The filter cartridge is clogged or old.	Replace the filter cartridge.
	Water pressure is too low.	Have the water pressure checked.
	The shut-off valve is not open all the way.	Adjust the shut-off valve so it is open all the way.
The dispensed water is not cold.	The water connection line has kinks in it.	Shut off the water supply. Straighten out the kinks. Have damaged water connection lines replaced with original manufacturer parts.
	The appliance was just recently installed.	It takes approx. 12 hours for the water to cool down.
The water is cloudy.	The water has been in the lines for an extended period of time and has adjusted to the room temperature.	Fill and discard the first 15 glasses of water.
	Air or air bubbles in water.	This is normal when using the water dispenser for the first time and will disappear after a short period of time.
There are particles floating in the water or suspended in the ice cubes.	The first time the water flows through the filter cartridge, it may contain carbon dust from the filter cartridge.	These suspended particles are not harmful! They will disappear after a short period of time.
	Suspended particles are formed by mineral deposits when water is frozen and then allowed to thaw.	These suspended particles are not harmful! This occurs naturally in the water supply.

Customer service

Before contacting customer service:

Determine if you can solve the problem yourself using the information under "Troubleshooting minor issues."

If this information does not solve the problem, additional help is available by contacting Bosch customer service.

U.S.A.:

Contact the Bosch Customer Interaction Center by calling 1-800-944-2904 (toll-free).

Canada:

Contact your designated Bosch Canada service company or call 1-800-944-2904.

To better assist you, write down the information about your appliance below for future reference:

Dealer name

Address

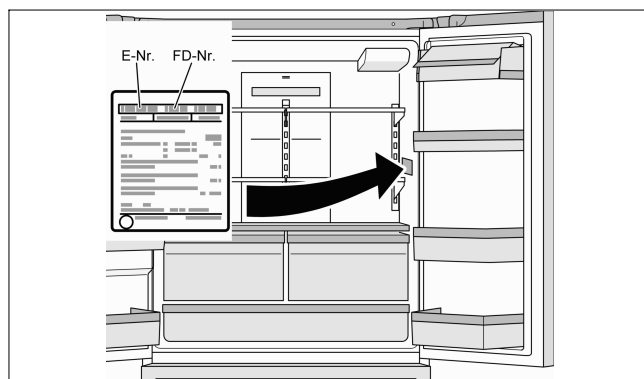
Phone number

Purchase date

Model number (E number)

Serial number (FD number)

Please provide customer service with the appliance model number (E number) and serial number (FD number).



You can find this information on the rating plate inside the refrigerator compartment on the right.

fr Table des matières

IMPORTANTES INSTRUCTIONS DE SÉCURITÉ	33	Tiroir pour aliments fins	48
Renseignements relatifs à la mise au rebut	34	Agencement modulable du compartiment intérieur	48
Contenu de l'emballage	35	Compartiment congélateur	49
Installation de l'appareil	35	Congélation des aliments	49
Installation et branchement de l'appareil	36	Achat et stockage de produits congelés	50
Mesures d'encombrement	41	Décongélation d'aliments congelés	50
Présentation de l'appareil	42	Caractéristiques du compartiment congélateur	50
Bandeau de commande	43	Distributeur de glaçons et d'eau	51
Conseils d'utilisation	44	Filtre à eau	53
Mise en service de l'appareil	44	Fiche de performances	54
Réglage de la température	44	Conseils pour économiser l'énergie	55
Fonction d'alarme	45	Bruits de fonctionnement	55
Verrouillage du bandeau de commande	45	Dégivrage	55
Super réfrigération	45	Arrêt et débranchement de l'appareil	55
Super congélation	46	Nettoyage	56
« quick ice » (glaçons rapides)	46	Ampoule à DEL	57
Symbole du filtre à eau	46	Diagnostic et résolution de problèmes mineurs	58
Unité de température	47	Service après-vente	61
Compartiment réfrigérateur	47		
Compartiment VitaFresh Pro	47		

IMPORTANTES INSTRUCTIONS DE SÉCURITÉ

LIRE ET CONSERVER CES INSTRUCTIONS !

Définitions



AVERTISSEMENT

Le non-respect de cet avertissement peut entraîner la mort ou des blessures graves.



ATTENTION

Le non-respect de cette mise en garde peut entraîner des blessures légères ou modérées.

REMARQUE

Le non-respect de cet avertissement peut provoquer des dommages à l'appareil.

AVERTISSEMENT : Avant d'allumer l'appareil

Lire attentivement les Instructions d'installation et d'utilisation, y compris les instructions qui suivent. Elles contiennent des remarques importantes concernant l'installation, l'utilisation et l'entretien de l'appareil.

Le fabricant n'assume aucune responsabilité en cas de non-respect des indications et avertissements contenus dans la présente notice. Conserver toute la documentation pour pouvoir la consulter à nouveau ultérieurement ou si l'appareil doit changer un jour de propriétaire.

Sécurité technique

Les installations et les réparations inexpertes peuvent engendrer des risques pour l'utilisateur.

Les réparations doivent être exécutées par un fournisseur de service autorisé.

N'utiliser que des pièces originales fournies par le fabricant. Seules les pièces d'origine du fabricant doivent être utilisées.

Si le cordon d'alimentation de cet appareil est endommagé, il doit être remplacé par un fournisseur de service autorisé.

L'appareil est fourni avec un cordon d'alimentation homologué UL, muni d'une fiche à trois broches.

Ne jamais couper ou enlever la troisième broche (mise à la terre) du cordon d'alimentation.

Cet appareil nécessite une prise murale à trois alvéoles avec mise à la terre. La prise murale doit être installée par un électricien qualifié conformément aux codes locaux.

Si la prise murale est du type standard à deux alvéoles, il incombe au propriétaire de l'appareil de la faire remplacer par une prise à trois alvéoles, correctement mise à la terre. Ne pas utiliser d'adaptateur.

Renseignements importants pendant l'utilisation de l'appareil


- Ne jamais utiliser d'appareils électriques à l'intérieur de l'appareil. Risque d'explosion !
- Ne jamais dégivrer ou nettoyer l'appareil à l'aide d'un nettoyeur à vapeur. La vapeur pourrait atteindre des pièces électriques et provoquer un court-circuit. Risque d'électrocution !
- Ne jamais utiliser d'objets pointus ni tranchants pour enlever le givre ou les couches de glace. Cela risquerait d'endommager les tubes de refroidissement. Si le réfrigérant fuit, il peut provoquer des lésions oculaires ou s'enflammer.
- N'entreposer dans l'appareil aucun produit contenant des agents propulseurs inflammables (par ex., bombes aérosols) ni de produits explosifs. Risque d'explosion !
- Ne pas s'appuyer sur le socle, les tablettes, les portes ou d'autres parties de l'appareil., et ne pas s'en servir comme marchepied. Cela pourrait endommager l'appareil ou vous pourriez vous blesser.
- Pour dégivrer ou nettoyer l'appareil, débrancher la prise de courant ou désarmer le disjoncteur ou le fusible ! Ne pas débrancher le cordon d'alimentation en tirant sur le câble.
- Les boissons fortement alcoolisées doivent être fermées hermétiquement et stockées à la verticale.
- L'huile et la graisse ne doivent pas entrer en contact avec les parties en plastique et le joint de porte, sinon, ils deviendront poreux.
- Ne jamais obstruer ou couvrir les ouvertures d'aération de l'appareil. Cela contraint l'appareil à fonctionner plus fort, augmentant ainsi sa consommation énergétique.
- Les enfants ne peuvent utiliser cet appareil que sous la supervision d'un adulte.
- Ne stocker aucune boisson, gazeuse en particulier, en bouteilles ou en canettes dans le compartiment congélateur. **Les bouteilles et les canettes risqueraient d'éclater !**

IMPORTANTES INSTRUCTIONS DE SÉCURITÉ

LIRE ET CONSERVER CES INSTRUCTIONS !

- Ne jamais porter directement à la bouche des popsicles ou des glaçons qui sortent du compartiment congélateur. Risque de brûlures à basse température !
- Éviter tout contact prolongé des mains mouillées avec les surfaces ou les produits congelés du congélateur. La peau peut adhérer à ces surfaces extrêmement froides. Risque de blessure !
- Ne pas gratter pas le givre ou des aliments congelés avec un couteau ou un objet pointu. Cela pourrait endommager l'appareil ou vous pourriez vous blesser.

Les enfants dans la maison

 **AVERTISSEMENT**

Risque d'asphyxie provoqué par les boîtes de carton et les pellicules de plastique ! Conserver l'emballage et les éléments de l'emballage loin des enfants.

Ne pas permettre aux enfants de jouer avec l'appareil !

Si l'appareil est doté d'un verrou, garder la clé hors de portée des enfants.

Dispositions générales

L'appareil convient pour :

- réfrigérer les aliments
- congeler les aliments
- faire de la glace
- distribuer de l'eau.

Cet appareil est destiné à un usage domestique.

Le circuit de réfrigération a subi un contrôle d'étanchéité avant de quitter l'usine.

Avertissements de la Proposition 65 de l'État de la Californie

 **AVERTISSEMENT**

Ce produit peut vous exposer à des produits chimiques, comme du chlorure de vinyle, reconnus par l'État de la Californie comme causant le cancer, des malformations congénitales ou d'autres effets nocifs sur la reproduction.

Pour de plus amples renseignements, consultez www.P65Warnings.ca.gov.

Renseignements relatifs à la mise au rebut

Mise au rebut de l'emballage


L'emballage protège l'appareil contre les dommages susceptibles de survenir en cours de transport. Tous les matériaux qui le composent sont respectueux de l'environnement et recyclables. Aidez-nous en éliminant l'emballage de manière écoresponsable.

Retirer les poignées de l'emballage avant de le jeter.

Demander à votre fournisseur ou aux autorités locales quels sont les moyens d'élimination actuellement disponibles.

Mise au rebut de votre vieil appareil

Les anciens appareils sont utiles ! De précieuses matières premières peuvent être récupérées lors du recyclage des vieux appareils.

 **AVERTISSEMENT**

Risque d'enfermement pour les enfants ! Les enfants peuvent être pris au piège dans l'appareil.

Avant de mettre le vieux réfrigérateur au rebut :

Démonter les portes et le tiroir du compartiment congélateur.

Laisser les tablettes et les contenants en place afin d'empêcher les enfants de grimper facilement à l'intérieur.

Mise au rebut appropriée des appareils :

1. Débrancher l'appareil.
2. Sectionner le câble de raccordement puis l'enlever avec la prise.
3. Ne pas retirer pas les clayettes et les tablettes. Elles empêchent les enfants de grimper à l'intérieur !
4. Ne pas permettre aux enfants à jouer avec l'appareil usagé. Risque d'asphyxie !

Les réfrigérateurs contiennent des réfrigérants et des gaz isolants. Ceux-ci doivent être éliminés convenablement. Respecter les réglementations locales relatives à l'élimination des déchets. Avant la mise au rebut, vérifier que les tubes du circuit de refroidissement ne sont pas endommagés.

IMPORTANTES INSTRUCTIONS DE SÉCURITÉ

LIRE ET CONSERVER CES INSTRUCTIONS !

Contenu de l'emballage

Après avoir déballé tous les éléments de l'appareil, vérifier s'ils ont été endommagés lors du transport.

En cas de dommage, ne pas brancher l'appareil. Contacter le fournisseur.

La livraison comprend les éléments suivants :

- Appareil indépendant
- Équipement (selon le modèle)
- Sachet avec visserie de montage
- Instructions d'utilisation
- Instructions d'installation
- Carte d'enregistrement
- Informations relatives à la consommation d'énergie et aux bruits

Installation de l'appareil

Faire installer l'appareil par un technicien qualifié et brancher l'appareil selon les Instructions d'installation fournies.



AVERTISSEMENT

Ne pas installer l'appareil :

- à l'extérieur,
- dans un endroit où l'eau dégoutte,
- dans des pièces exposées à des températures de congélation.

Transport

L'appareil est lourd et doit être sécurisé lors du transport et de l'installation.

Les roues sont exclusivement prévues pour l'installation.

Ne pas transporter l'appareil à l'aide des roues.



AVERTISSEMENT

Risque de blessure !

L'appareil est très lourd. Il peut se renverser et causer des blessures graves pendant le transport et l'installation. Au moins deux personnes sont nécessaires pour installer l'appareil en toute sécurité. Garder les portes du réfrigérateur fermées jusqu'à ce que l'appareil soit à la verticale et d'aplomb à l'emplacement de son installation.

Des surfaces dissimulées peuvent avoir des bords coupants. Lors du transport, porter des gants de protection. La prudence est de mise pour atteindre l'arrière ou le dessous de l'appareil.

Lieu d'installation



AVERTISSEMENT

Risque d'explosion !

Ne pas installer l'appareil à proximité de substances explosives ou inflammables.

Il est préférable d'installer l'appareil dans un endroit sec et bien aéré. L'emplacement ne doit pas être exposé aux rayons directs du soleil ni se trouver à proximité d'une source de chaleur telle qu'une cuisinière, un radiateur, etc. Si l'installation près d'une source de chaleur est inévitable, utiliser une plaque isolante appropriée ou respecter les distances minimales suivantes :

- 1 1/4" (3 cm) par rapport aux cuisinières électriques ou à gaz.
- 11 3/16" (30 cm) par rapport à un appareil de chauffage au fuel ou au charbon.

Pour que la machine à glaçons fonctionne convenablement, l'appareil doit être en position verticale et d'aplomb.

Si le réfrigérateur est installé à côté d'un autre réfrigérateur ou congélateur, il convient de respecter un écart de 1" (25 mm) entre les appareils pour éviter un risque de condensation.

Si le réfrigérateur est surmonté d'un panneau ou d'une armoire de cuisine, prévoir un écart de 13/32" (10 mm) pour que l'appareil puisse, le cas échéant, être extrait du renforcement.

L'air chaud à l'arrière de l'appareil doit pouvoir s'échapper sans obstacle.

En cas d'installation dans un angle ou un recoin, il convient de respecter des écarts latéraux minimum afin de pouvoir ouvrir les portes jusqu'à la butée (voir le chapitre « Mesures d'encombrement »).

Si la profondeur des équipements de cuisine voisins dépasse 29 1/8" (75 cm), des écarts latéraux minimums doivent être respectés pour pouvoir pleinement utiliser l'angle d'ouverture de porte (voir le chapitre « Angle d'ouverture de porte »).

Catégories climatiques

La catégorie climatique de l'appareil figure sur sa plaque signalétique. La catégorie climatique précise les températures ambiantes dans lesquelles l'appareil peut fonctionner.

Catégorie climatique	Température ambiante admissible
SN	de 50 °F à 90 °F (de +10 °C à 32 °C)
N	de 61 °F à 90 °F (de +16 °C à 32 °C)
ST	de 61 °F à 100 °F (de +16 °C à 38 °C)
T	de 61 °F à 110 °F (de +16 °C à 43 °C)

Surface porteuse

REMARQUE

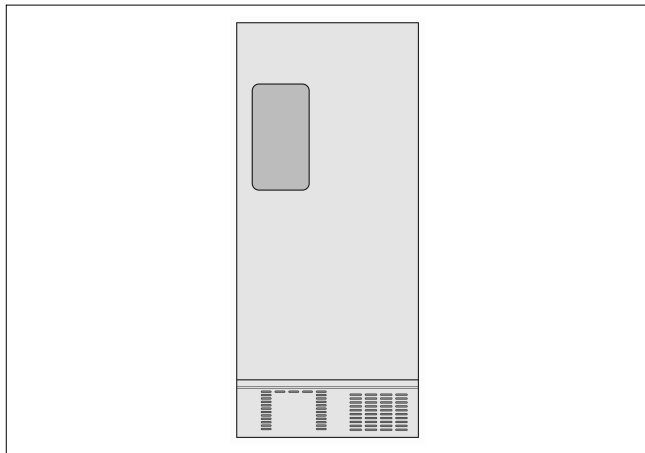
L'appareil est très lourd.
Sur l'emplacement, le sol ne doit pas s'affaisser. Le renforcer si nécessaire.

Poids de l'appareil vide :

Modèle de base 324 lb (147 kg)

Aération

Ne jamais couvrir les ouvertures d'aération de la plinthe avant du réfrigérateur et du panneau de recouvrement arrière.



Cela contraint l'appareil à fonctionner plus fort, augmentant ainsi sa consommation énergétique. Cela peut également endommager le compresseur.

Installation et branchement de l'appareil

Confiez à un technicien l'installation et le branchement de l'appareil, en conformité avec les instructions d'installation adjointes.

N'enlevez pas le dispositif de protection pour le transport des étagères et des compartiments avant l'installation et le nivellement de l'appareil.

Réalisez toujours le raccordement de l'eau avant de procéder au raccordement électrique.

Hormis les réglementations nationales en vigueur, vous devriez toujours respecter le code de l'électricité local ainsi que les codes et exigences du service des eaux.

Après l'installation de l'appareil, attendez au moins six heures avant d'allumer l'appareil. Durant le transport, il est possible que l'huile du compresseur ait coulé dans le système de refroidissement.

Avant d'allumer l'appareil pour la première fois, nettoyez-en l'intérieur (consultez la section « Nettoyage de l'appareil »).

Seul un technicien qualifié devrait démonter les portes, si nécessaire, pour faire passer l'appareil à travers les portes de la maison.

Raccordement de l'eau



AVERTISSEMENT

Risque de décharge électrique et de dommages à l'appareil !

Débranchez l'appareil de la source d'alimentation avant de procéder aux travaux de raccordement à l'eau.

Seul un technicien qualifié doit procéder au raccordement, conformément aux réglementations en vigueur de plomberie et du service des eaux.

Raccordez uniquement l'appareil à une conduite d'eau potable :

- Pression minimum : 14.5 psi (1.0 bar)
- Pression maximum : 116 psi (8.0 bar)

Si la pression d'eau dépasse 80 psi (5.5 bar), un détendeur doit être installé. Contacter un plombier si vous n'êtes pas sûr de savoir comment vérifier la pression d'eau. La machine à glaçons ne fonctionnera pas si la pression d'eau est inférieure à 14.5 psi (1.0 bar).

Seul un plombier compétent doit s'occuper des travaux de raccordement de l'eau, en conformité avec les réglementations locales du service des eaux.

L'appareil doit être raccordé à une conduite d'eau froide pour que la machine à glaçons fonctionne convenablement.

Un robinet d'arrêt doit être installé à la conduite d'entrée d'eau froide.

Le robinet d'arrêt ne doit pas se trouver derrière l'appareil. Il est recommandé d'installer le robinet d'arrêt à côté de l'appareil ou à un endroit facilement accessible.

Lors des travaux de raccordement, prêtez attention aux zones de montage admissibles de la conduite d'eau.

Pour le raccordement à la conduite d'eau, n'utilisez que des tuyaux pour eau potable. Respectez les réglementations nationales et les exigences du service des eaux.

L'installation de la cartouche filtrante, fournie, peut améliorer le goût et l'odeur de l'eau. Respecter dans ce cas les conditions de branchement différentes (voir le chapitre « Filtre à eau »).

Le diamètre du tuyau de raccordement est de 19,3 mm (3/4 po).

Raccordement électrique



AVERTISSEMENT

Risque d'électrocution et d'incendie si le raccordement électrique n'est pas effectué convenablement !

Brancher l'appareil dans une prise à trois broches avec mise à la terre seulement. La prise doit être installée et mise à la terre conformément aux codes en vigueur par un électricien qualifié. Le cas échéant, faire inspecter l'installation par un technicien qualifié pour vérifier qu'elle est correctement mise à la terre.

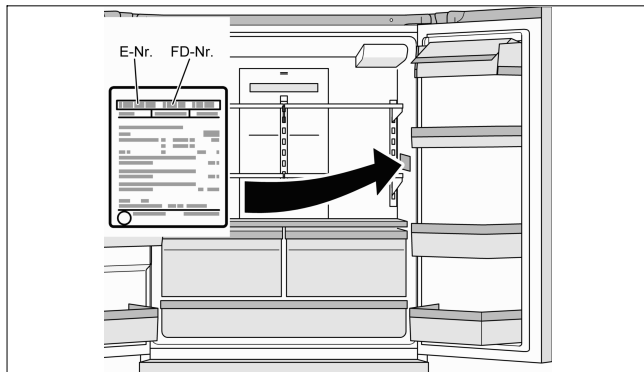
Ne pas utiliser de rallonge ou de barre d'alimentation.

En aucun cas ne brancher l'appareil à une prise d'économie d'énergie électronique (telle Ecoboy, Sava Plug, etc.) ou à des onduleurs qui convertissent le courant continu (CC) en courant alternatif (CA) (pour les équipements solaires, le ravitaillement énergétique des navires, etc.).

La prise doit être située à proximité de l'appareil et être facile d'accès aussi après l'installation.

Brancher l'appareil à une prise CA de 115 V/60 Hz correctement installée. Le fusible de la prise doit être de 15 A ou 20 A.

Si l'appareil est destiné à un pays situé à l'extérieur des É.-U., vérifier sur la plaque signalétique si la tension de branchement et le type de courant concordent bien avec ceux de votre alimentation électrique. Si le voltage et le type de courant ne concordent pas, ne pas faire fonctionner l'appareil. Seul un électricien qualifié peut remplacer le cordon d'alimentation.



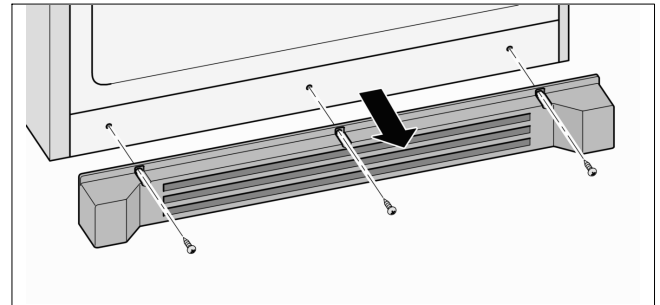
Ajustement de l'appareil

REMARQUE

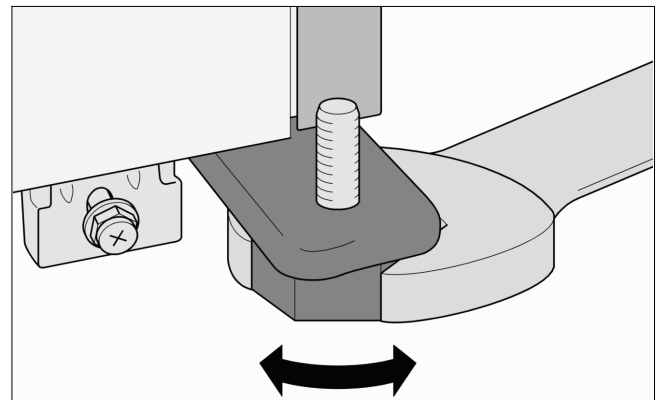
Pour que l'appareil fonctionne convenablement, le mettre à niveau à l'aide d'un niveau à bulle.

S'il n'est pas d'aplomb, de l'eau risque de s'écouler de la machine à glaçons, celle-ci peut produire des glaçons irréguliers ou les portes risquent de ne pas bien fermer.

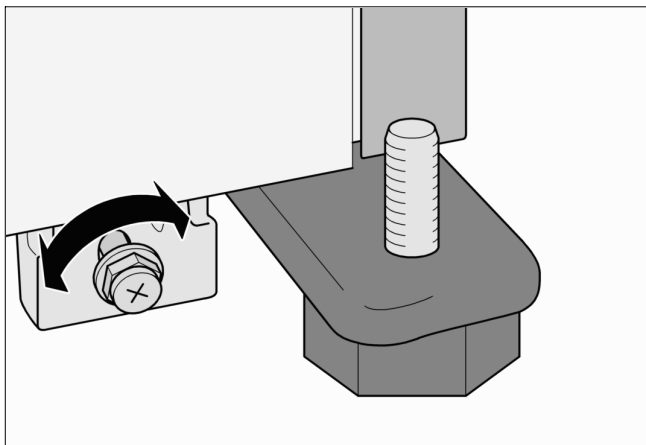
1. Déplacer l'appareil à l'emplacement prévu.



2. Desserrer les trois vis de la plinthe.
3. Retirer la plinthe.



4. Utiliser une clé plate de 36 mm pour desserrer les deux pieds avant jusqu'à ce qu'ils soient fermement en contact avec le sol, puis mettre le devant de l'appareil à niveau.



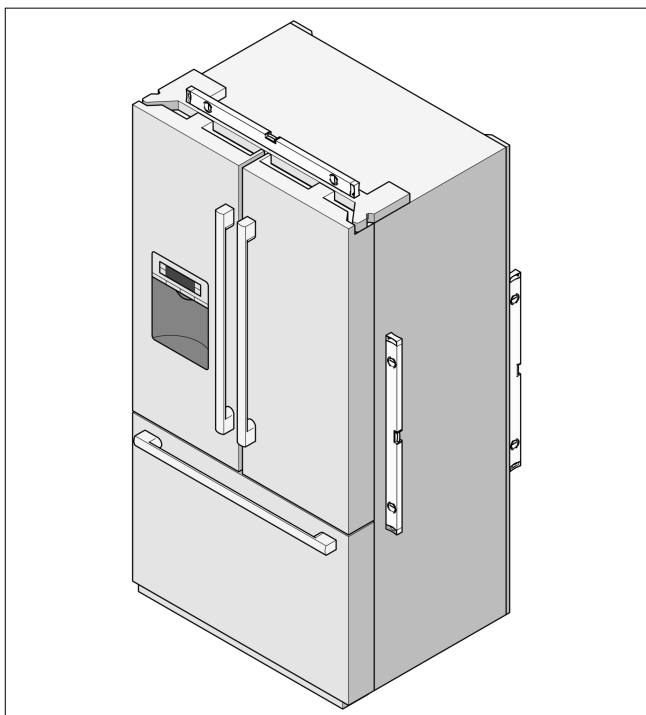
5. Utiliser une clé plate pour desserrer les écrous, puis mettre l'arrière de l'appareil à niveau.

Pour élever l'arrière de l'appareil :

Visser l'écrou dans le sens des aiguilles d'une montre.

Pour abaisser l'arrière de l'appareil :

Visser l'écrou dans le sens contraire des aiguilles d'une montre.



6. Vérifier que l'appareil est à niveau à l'aide du niveau à bulle.

REMARQUE

Pour que l'appareil ne bouge pas, les pieds avant doivent être fermement en contact avec le sol.

7. Si la hauteur des portes du compartiment de réfrigération est inégale ou si le tiroir du compartiment congélateur est incliné après l'ajustement du niveau de l'appareil, utiliser la méthode suivante pour les équilibrer.

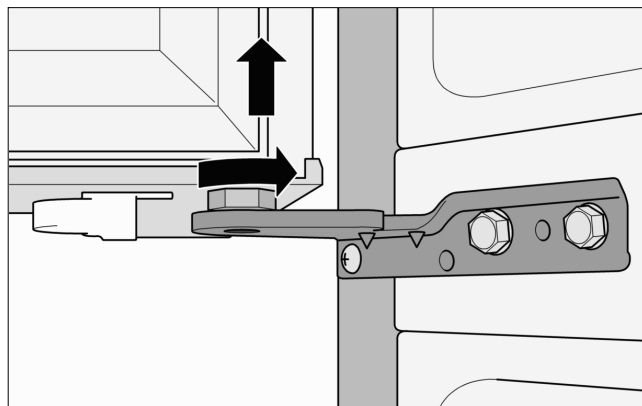
Ajuster une porte de réfrigérateur

Si la hauteur des portes du réfrigérateur est inégale :

1. vérifier laquelle des portes du réfrigérateur doit être relevée.
2. Visser l'écrou de la charnière inférieure pour ajuster la hauteur de la porte du réfrigérateur.

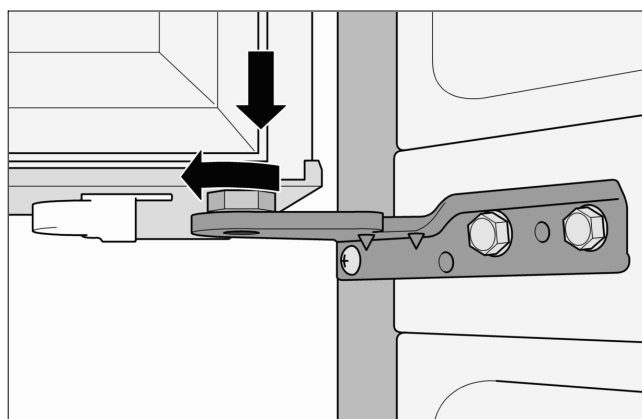
Pour relever une porte de réfrigérateur :

Visser l'écrou dans le sens contraire des aiguilles d'une montre.



Pour abaisser une porte de réfrigérateur :

Visser l'écrou dans le sens des aiguilles d'une montre.



Si les portes du réfrigérateur ne sont pas correctement alignées :



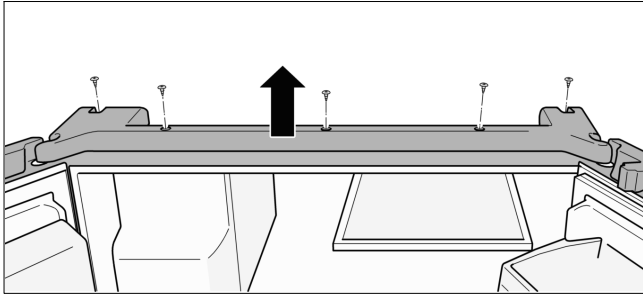
AVERTISSEMENT

Risque d'électrocution !

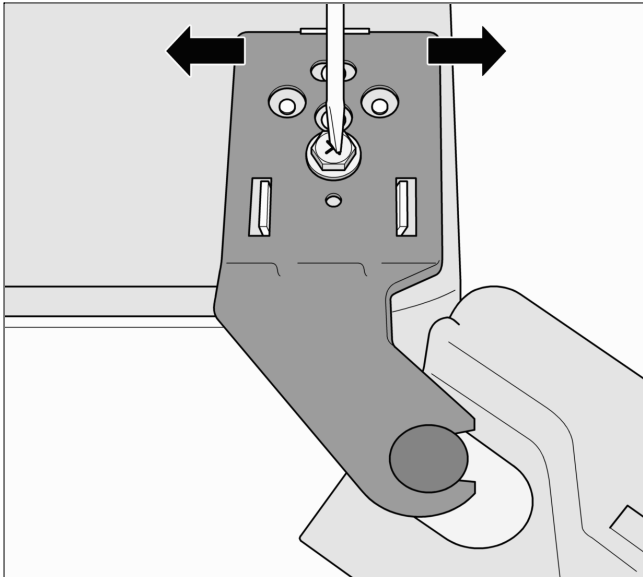
Avant de retirer le panneau supérieur :

1. Fermer l'arrivée d'eau de l'appareil.
2. Débrancher l'appareil ou désarmer le disjoncteur (ou le fusible).

1. Vérifier laquelle des portes du réfrigérateur doit être ajustée.
2. Retirer les cinq vis du panneau supérieur.
3. Relever le panneau.



4. Desserrer l'écrou.
Ne pas retirer l'écrou !

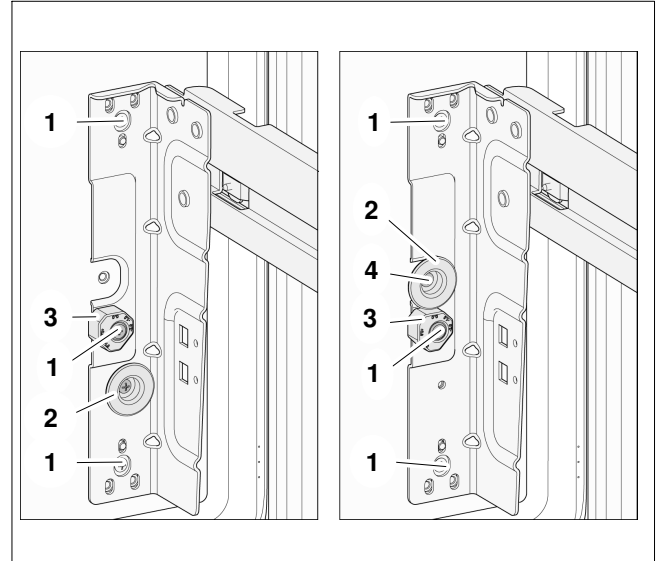


5. Déplacer la charnière vers le côté pour ajuster la porte du réfrigérateur.
6. Visser l'écrou.
7. Réaligner le panneau.
8. Insérer et serrer les cinq vis.

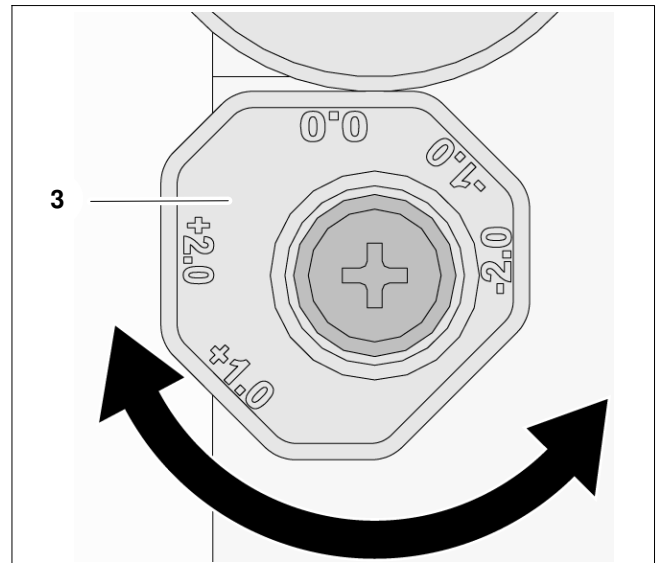
Ajustement du tiroir du congélateur

Si le tiroir du congélateur est plus élevé d'un côté que de l'autre :

1. Desserrer les vis latérales (1) du côté à être ajusté.
2. Déplacer la butée (2) de la position indiquée dans l'illustration de gauche à celle indiquée dans l'illustration de droite.



3. Ajuster le niveau en faisant pivoter la mollette de réglage de position(3). (Tirer et faire pivoter la mollette de réglage de position)



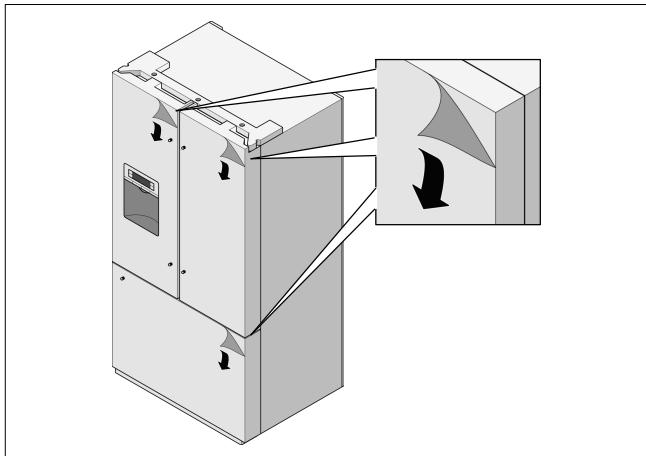
4. Une fois le niveau ajusté, serrer les quatre vis latérales (1)+(4).

Installation des poignées

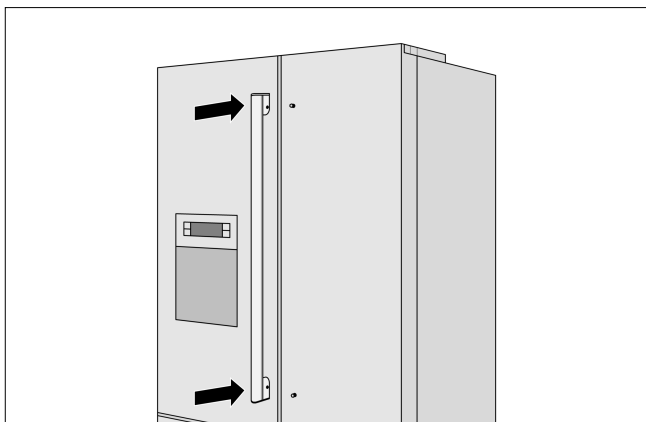
N'installer les poignées qu'une fois l'appareil installé dans son emplacement prévu et après avoir vérifié qu'il est d'aplomb.

Toutes les poignées sont identiques et s'installent de la même manière.

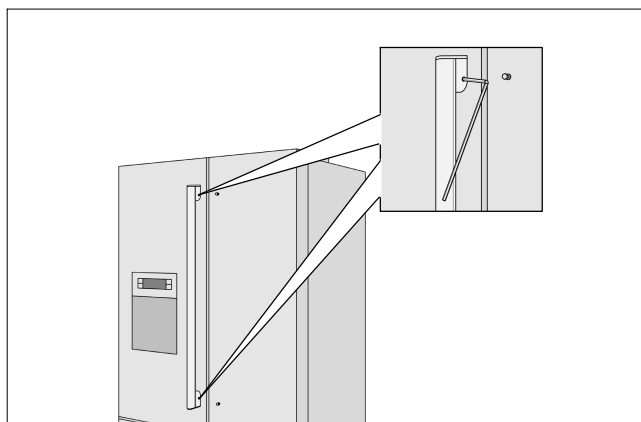
1. Retirer les pellicules protectrices des portes du réfrigérateur et du tiroir du compartiment congélateur.



2. Insérer les poignées dans les guides.
 - Portes du réfrigérateur : Les vis de la poignée doivent faire face au centre de l'appareil.
 - Tiroir du congélateur : Les vis de la poignée doivent être dirigées vers le bas.

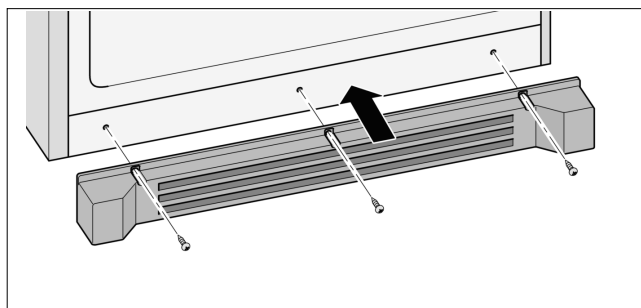


3. Serrer les vis des poignées à l'aide de la clé Allen fournie.

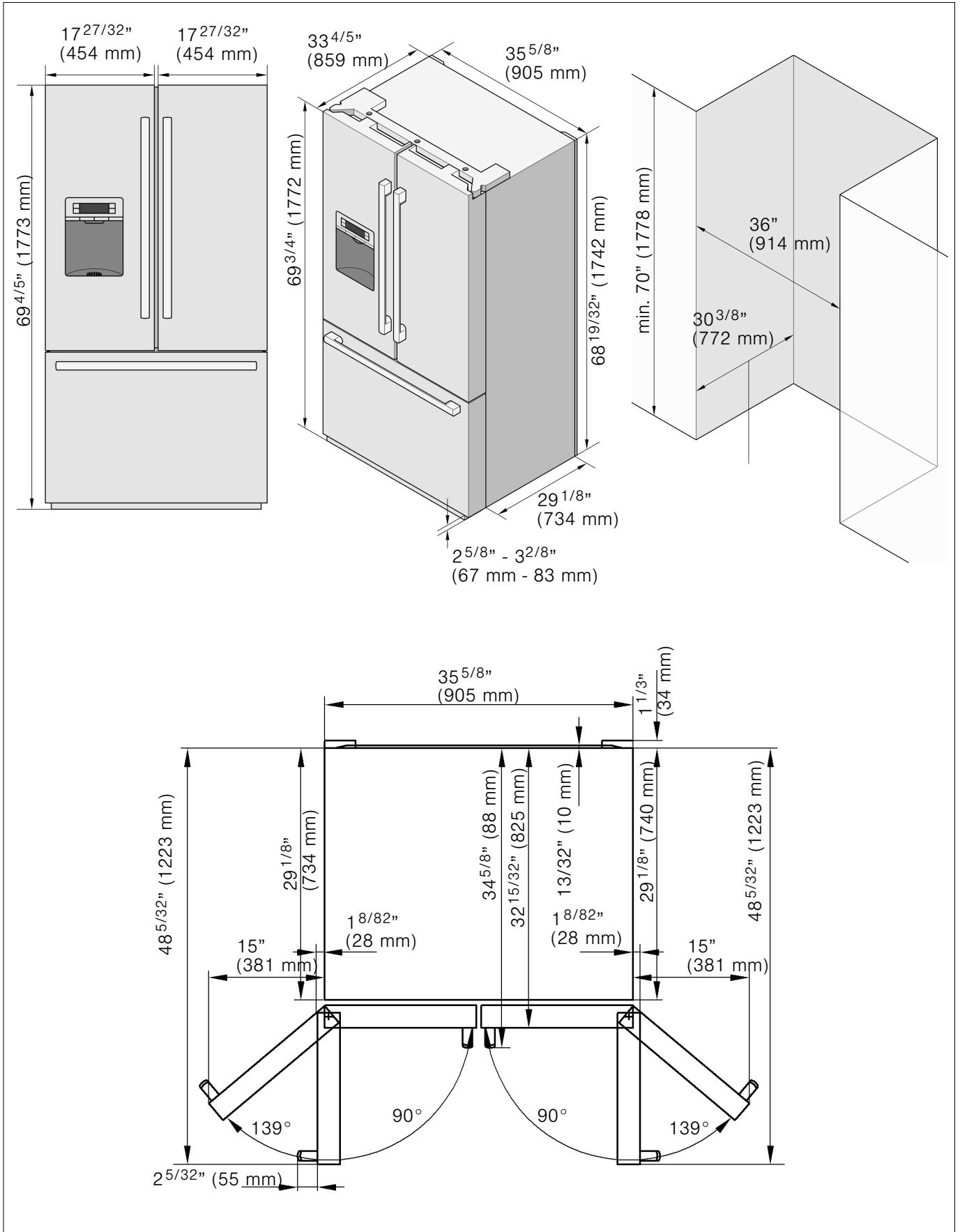


Installation de la plinthe

1. Retirer les trois vis de l'appareil.
2. Monter la plinthe.
3. Insérer et serrer les trois vis.

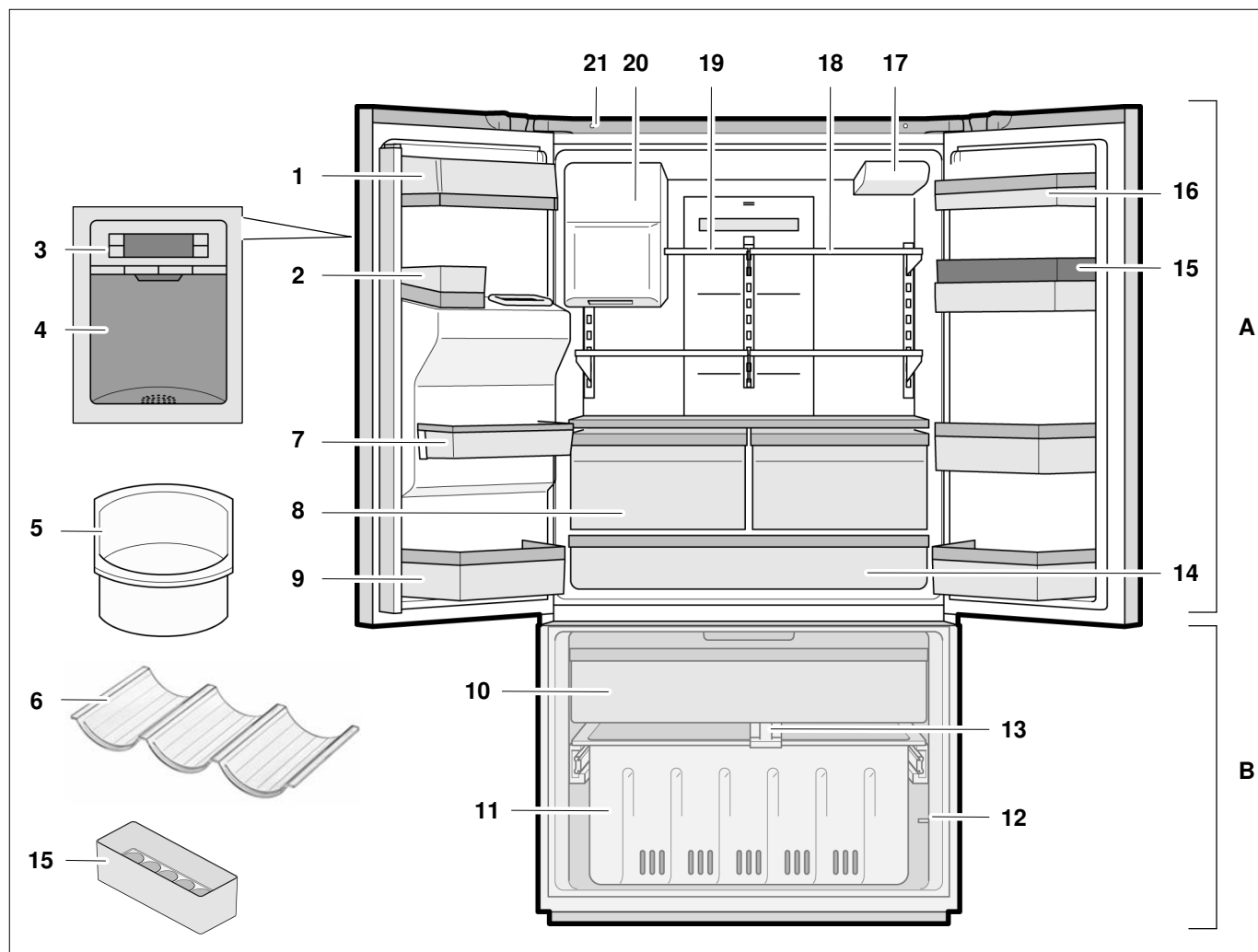


Mesures d'encombrement



Présentation de l'appareil

Ces instructions d'opération et d'installation s'appliquent à plusieurs modèles. Votre modèle peut être différent de celui représenté.



A Le compartiment réfrigérateur peut être réglé entre 33 °F (+1 °C) et 45 °F (+7 °C)

B Le compartiment congélateur peut être réglé entre 5 °F (-15 °C) et -7 °F (-22 °C)

- 1 Casier à beurre et à fromage
- 2 Balconnet à canettes
- 3 Bandeau de commande
- 4 Distributeur d'eau et de glaçons
- 5 Bac à glaçons
- 6 Rangement porte-bouteille à fond ondulé (B26FT8...)
- 7 Balconnet

- 8 Compartiment VitaFresh Pro avec voyant DEL (B26FT8...)
Tiroirs à fruits et légumes (B26FT5...)
- 9 Balconnet amovible
- 10 Tiroir congélateur supérieur
- 11 Tiroir congélateur inférieur
- 12 Interrupteur du compartiment congélateur
- 13 Séparateur du compartiment congélateur
- 14 Tiroir pour aliments fins avec voyant à DEL (sur certains modèles)
- 15 Compartiment à œufs
- 16 Balconnet
- 17 Filtre à eau
- 18 Tablette réglable en verre
- 19 Petite tablette en verre
- 20 Machine à glaçons/Bac à glaçons
- 21 Interrupteur du compartiment réfrigérateur

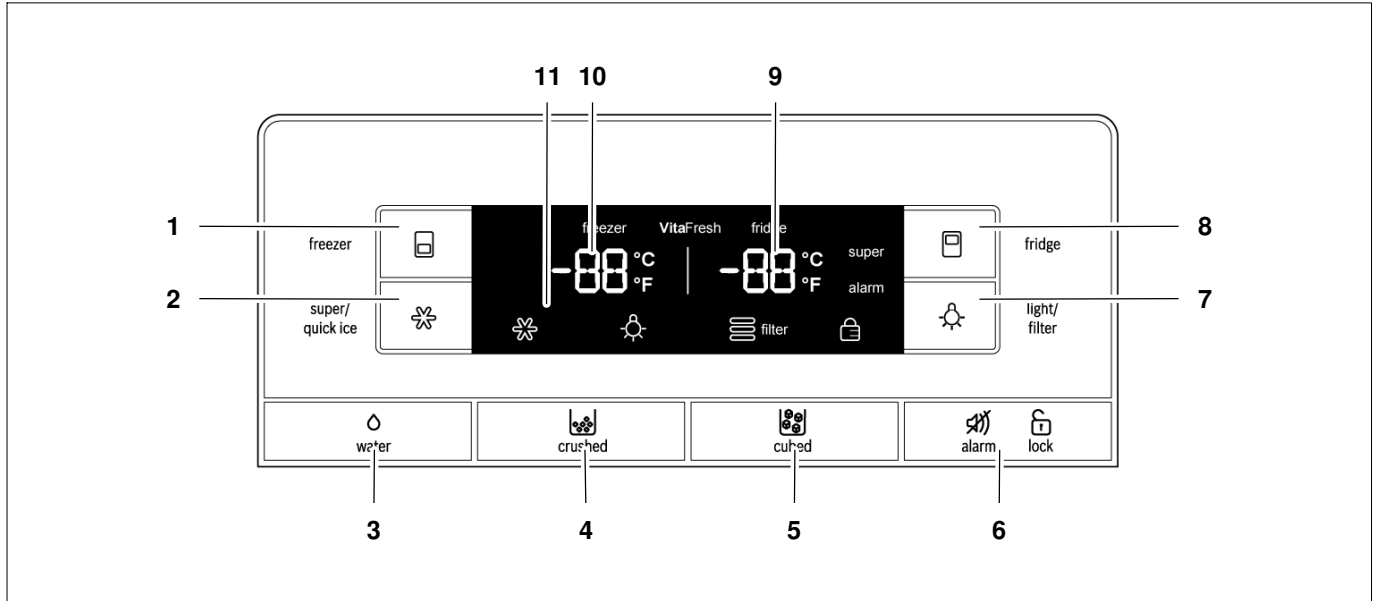
Bandeau de commande

Le clavier situé sur la porte gauche du réfrigérateur est le bandeau de commande.

Toucher le clavier pour activer la fonction correspondante.

Le voyant de la commande et le panneau d'affichage s'éteignent après environ une minute si le clavier n'est pas activé.

Votre modèle peut être différent de celui représenté.



1 Touche « freezer » (congélateur)

Touche pour

- régler la température du compartiment congélateur
- activer et éteindre la fonction « Super freeze » (super congélation).

2 Touche « super/quick ice » (glaçons rapides)

Touche pour activer ou désactiver la fabrication de glaçons.

3 Touche de distribution d'eau

4 Touche de distribution de glace pilée

5 Touche de distribution de glaçons

6 Touche « alarm/clock » (alarme/heure)

Touche pour

- éteindre le signal d'avertissement
- activer ou désactiver le verrouillage des touches.

7 Touche « light/filter » (éclairage/filtre)

Touche pour

- allumer ou éteindre la distributrice d'eau et de glaçons
- réinitialiser l'indicateur du filtre.

8 Touche « fridge » (réfrigérateur)

Touche pour

- régler la température du compartiment réfrigérateur
- activer et éteindre la fonction « Super cool » (super réfrigération).


9 Affichage de la température du compartiment réfrigérateur


Affiche la température réglée pour le compartiment réfrigérateur.


10 Affichage de la température du compartiment congélateur


Affiche la température réglée pour le compartiment congélateur.

11 Symboles du bandeau de commande

 « quick ice » (glaçons rapides)
S'affiche lorsque la fonction « quick ice » est activée.

 « light » (éclairage)
S'affiche lorsque le voyant de la distributrice d'eau et de glaçons est allumé.

 « water filter » (filtre à eau)
Affiche le statut de la cartouche du filtre.

 « panel lock » (verrouillage du bandeau de commande)
S'affiche lorsque le bandeau de commande est activé.

Conseils d'utilisation

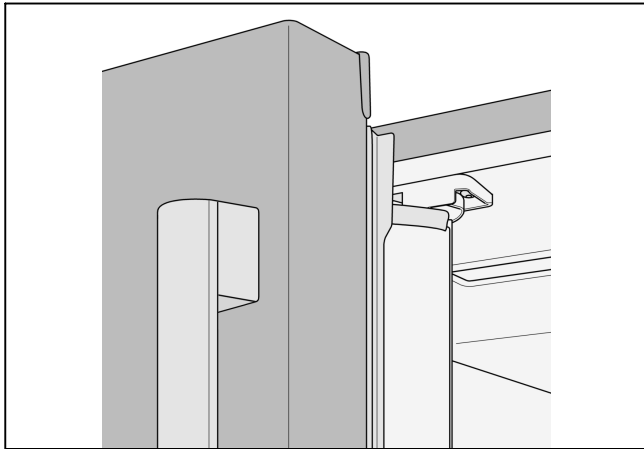
Ouverture et fermeture des portes du compartiment réfrigérateur

Les portes du compartiment réfrigérateur peuvent s'ouvrir et de se fermer séparément.

La porte gauche du compartiment réfrigérateur est dotée d'un meneau rabattable.

REMARQUE

Risque de dommage à l'appareil !
Le meneau de la porte pourrait être endommagé si vous tentez de fermer la porte gauche du compartiment lorsque le meneau n'est pas rabattu.
Avant de fermer les portes du compartiment réfrigérateur, vérifier que le meneau est perpendiculaire à la porte.



En fermant la porte gauche du compartiment réfrigérateur, le meneau se replie derrière la porte droite du compartiment réfrigérateur et forme un joint étanche entre les portes du compartiment réfrigérateur.

Mise en service de l'appareil

REMARQUE

Après avoir installé l'appareil, attendre au moins huit heures avant de le mettre en service. Il peut arriver, pendant le transport, que l'huile présente dans le compresseur se déplace vers le système frigorifique.

Brancher l'appareil à la prise.

Une fois l'appareil branché, le processus de réfrigération se met en marche. L'éclairage intérieur du compartiment réfrigérateur s'allume lorsque la porte est ouverte.

Il faudra plusieurs heures pour que l'intérieur atteigne la température pré-réglée en usine. Ne pas entreposer d'aliments dans l'appareil avant que cette température ne soit atteinte.

Température initiale

Compartiment réfrigérateur : 39 °F (+4 °C)

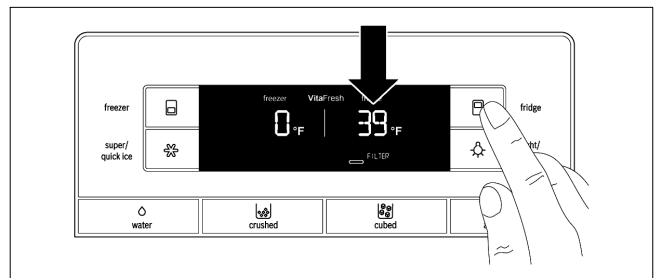
Compartiment congélateur : 0 °F (-18 °C).

Réglage de la température

Compartiment réfrigérateur

La température peut être réglée de 33 °F (+1 °C) à 45 °F (+7 °C).

Appuyer sur la touche "fridge" jusqu'à la température du compartiment réfrigérateur souhaitée.



La température la plus récente sera enregistrée.

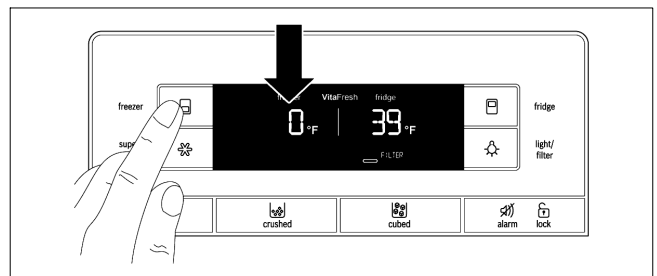
Nous recommandons de régler la température à 39 °F (+4 °C).

Les denrées périssables ne devraient pas être stockées à des températures supérieures à 39 °F (+4 °C).

Compartiment congélateur

La température peut être réglée de 5 °F (-15 °C) à -7 °F (-22 °C).

Appuyer sur la touche "freezer" jusqu'à la température du compartiment congélateur souhaitée.



La température la plus récente sera enregistrée.

Nous recommandons de régler la température à 0 °F (-18 °C).

Fonction d'alarme

L'appareil est doté de deux signaux d'avertissements sonores différents. Lorsque l'alarme de température est activé, un signal sonore continu retentit. Lorsque l'alarme de porte est activée, un signal sonore retentit six fois toutes les minutes.

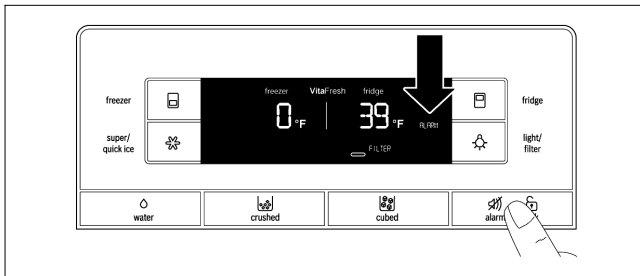
Compartiment réfrigérateur

Le mot « alarm » s'affiche du côté droit du bandeau de commande.

Pour éteindre le signal d'avertissement :

Appuyer sur la touche « alarm/lock » ou fermer les portes du compartiment réfrigérateur.

Le mot « alarm » clignotera sur le panneau d'affichage jusqu'à ce que la température s'approche de la température sélectionnée.



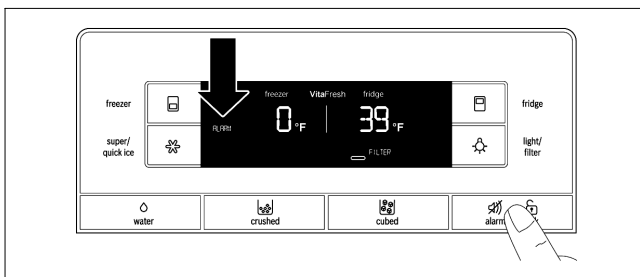
Compartiment congélateur

Le mot « alarm » s'affiche du côté gauche du bandeau de commande.

Pour éteindre le signal d'avertissement :

Appuyer sur la touche « alarm/lock » ou fermer les portes du compartiment congélateur.

Le mot « alarm » clignotera sur le panneau d'affichage jusqu'à ce que la température s'approche de la température sélectionnée.



Verrouillage du bandeau de commande

Lorsque le verrouillage du bandeau de commande est activé, toutes les touches du panneau de commande et d'affichage sont bloquées.

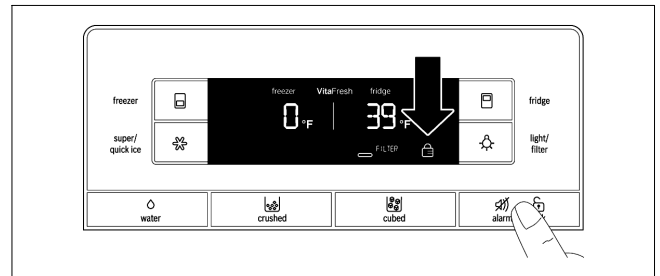
REMARQUE

Lorsque le verrouillage du bandeau de commande est activé, utiliser la touche « alarm/lock » pour éteindre le signal d'avertissement.

Pour verrouiller ou déverrouiller le bandeau de commande :

Appuyer sur la touche « alarm/lock » pendant deux secondes.

Le symbole de verrouillage du bandeau de commande s'affiche lorsque le verrouillage est activé.



Super réfrigération

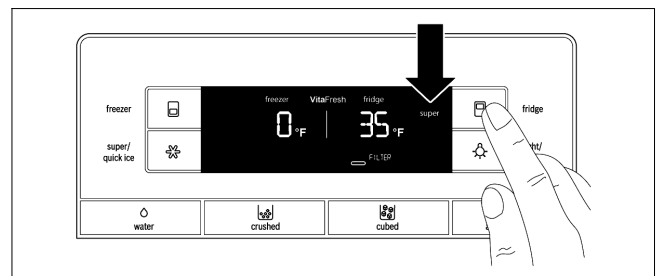
Pendant la super réfrigération, la température du compartiment réfrigérateur baisse aussi bas que possible pendant environ six heures. La température est ensuite automatiquement réinitialisée à 39 °F (+4 °C).

La super réfrigération est particulièrement recommandée :

- avant de ranger de grandes quantités d'aliments dans le compartiment réfrigérateur.
- pour refroidir rapidement les boissons.

Pour activer la super réfrigération :

Appuyez sur la touche « fridge » jusqu'à ce que « super » s'affiche du côté droit du panneau d'affichage.



Pour désactiver la super réfrigération :

Appuyer sur la touche « fridge ».

Le mot « super » disparaît du panneau d'affichage. L'appareil se règle automatiquement à la température précédemment sélectionnée.

Super congélation

Les aliments devraient être congelés le plus rapidement possible de manière à conserver leurs vitamines, leur valeur nutritive, leur apparence et leur goût.

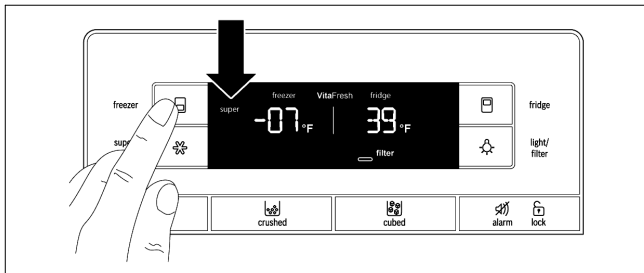
Pour éviter toute hausse de température indésirable au moment d'entreposer des aliments frais dans le compartiment congélateur, activer la super congélation plusieurs heures auparavant.

En règle générale, de quatre à six heures suffisent. Prévoir un minimum de 24 heures si le congélateur doit être utilisé à sa capacité maximale.

Les plus petites quantités de nourriture peuvent être congelées sans activer la super congélation.

Pour activer la super congélation :

Appuyer sur la touche « freeze » jusqu'à ce que « super » s'affiche du côté gauche du panneau d'affichage.



Pour désactiver la super congélation :

Appuyer sur la touche « freezer ».

Le mot « super » disparaît du panneau d'affichage. L'appareil se règle automatiquement à la température précédemment sélectionnée.

REMARQUE

La fonction de super congélation se désactive automatiquement après environ deux jours.

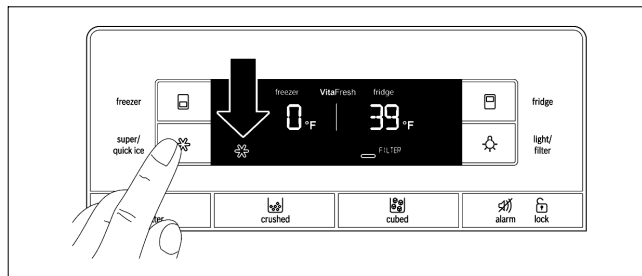
« quick ice » (glaçons rapides)

Utiliser cette fonction pour accélérer temporairement la fabrication de glaçons.

Pour activer la fonction de fabrication rapide de glaçons :

Appuyer sur la touche « super/quick ice ».

Le symbole de fabrication rapide de glaçons s'affiche sur le panneau d'affichage.







Lorsque le bac à glaçons est plein, la fonction de fabrication rapide de glaçons s'éteint automatiquement après quelques heures.

REMARQUE

Lorsque la fonction de fabrication rapide de glaçons est activée, la puissance de l'appareil augmente temporairement. Cela augmente sa consommation d'énergie.

Symbole du filtre à eau

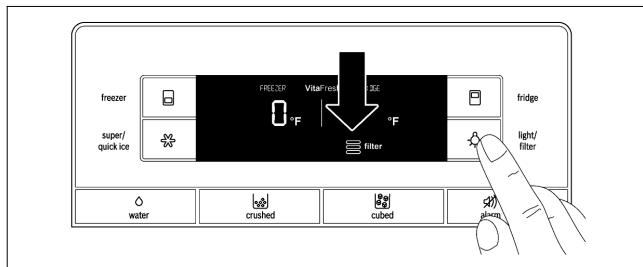
Ce symbole indique la durée d'utilisation de la cartouche filtrante.

-  Jusqu'à deux mois.
-  Jusqu'à quatre mois.
-  Jusqu'à six mois.
-  Après six mois, le symbole clignote. Remplacer la cartouche filtrante.

Lorsque l'appareil est éteint, l'indicateur du filtre à eau se réinitialise.

Pour réinitialiser l'indicateur du filtre à eau après un changement de filtre :

Appuyer sur la touche « light/filter » et la maintenir enfoncée pendant trois secondes.



Le symbole cesse de clignoter.

Unité de température

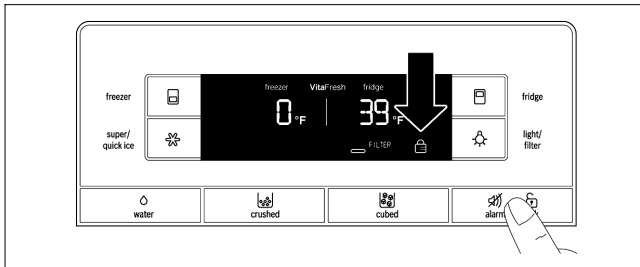
La température peut s'afficher en degrés Fahrenheit (°F) ou Celsius (°C).

À la mise en service de l'appareil, la température s'affiche en degrés Fahrenheit (°F).

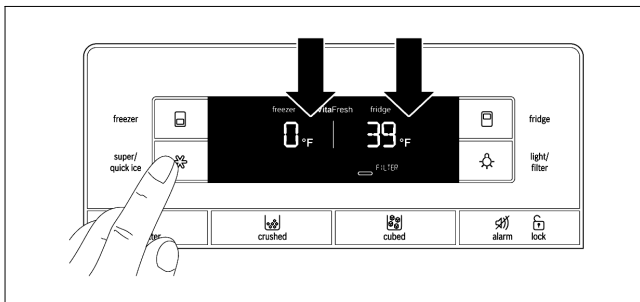
Pour régler l'unité de température :

Appuyer sur la touche « alarm/lock » pendant deux secondes.

Le symbole de verrouillage du bandeau de commande s'affiche.



Appuyer sur la touche « super/quick ice » et la maintenir enfoncée pendant 15 secondes, jusqu'à ce que l'unité de température change.



Compartiment réfrigérateur



AVERTISSEMENT

Risque d'explosion!

Ne stocker aucun produit contenant des agents propulseurs (p. ex., bombes aérosols), des explosifs ou des substances facilement inflammables.

Les boissons fortement alcoolisées doivent être fermées hermétiquement et stockées à la verticale.

Utilisation du compartiment réfrigérateur

Pour le stockage de plats précuisinés, de gâteaux et pâtisseries, d'aliments en conserve, de lait condensé, de fromages, de tartines, de sauces, de trempettes et d'œufs.

Suivre ces conseils de stockage :

- Faire refroidir les boissons et les aliments chauds à température ambiante.
- Stocker les aliments dans des contenants hermétiques pour éviter qu'ils perdent leur goût ou se dessèchent.
- Laisser les ouvertures d'aération de l'appareil dégagées pour ne pas gêner la circulation de l'air.
- Éviter que de l'huile ou de la graisse entre en contact avec les parties en plastique ou le joint de la porte.

Compartiment VitaFresh Pro

(selon le modèle)

La température à l'intérieur du compartiment VitaFresh Pro est maintenue à presque 0 °C. Ce bas niveau de température offre des conditions d'entreposage optimales pour les denrées périssables.

Le compartiment VitaFresh permet de conserver les aliments plus longtemps qu'un compartiment de réfrigérateur classique, tout en préservant leur fraîcheur.

Le compartiment VitaFresh Pro est recouvert d'un filtre d'humidité spécial. Ce filtre optimise le taux d'humidité à l'intérieur du compartiment. Selon la quantité de denrées entreposées dans le compartiment VitaFresh, le taux d'humidité peut atteindre jusqu'à 90 %, ce qui est idéal pour les produits maraîchers et de plein champ tels que les légumes, les salades, les fines herbes et les fruits.

VitaFresh Pro convient à :

Pour ainsi dire tous les produits alimentaires frais et qui doivent le rester plus longtemps, tels que la viande et la charcuterie, le poisson frais, les fruits de mer, le lait, le beurre, le fromage à pâte molle, le fromage blanc, les fruits et légumes.

VitaFresh Pro ne convient pas aux :

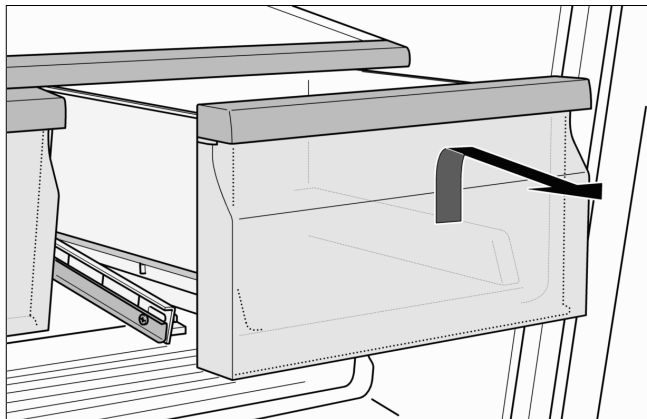
Fruits et légumes craignant le froid tels que les fruits tropicaux, avocats, papayes, fruits de la passion, aubergines, concombres, poivrons, de même que les fruits finissant de mûrir, les tomates vertes et les pommes de terre.

Attention lors de l'achat de denrées alimentaires :

La fraîcheur du produit à l'achat a une influence importante sur la durée de conservation des denrées. En général, plus les produits sont frais au moment de l'entreposage dans les compartiments VitaFresh, plus ils restent frais longtemps. Par conséquent, toujours vérifier la fraîcheur des denrées au moment de l'achat.

Retrait des tiroirs VitaFresh Pro

1. Tirer le plus possible vers soi les tiroirs VitaFresh Pro.
2. Soulever la partie avant des tiroirs VitaFresh et retirer ceux-ci.



3. Insertion des tiroirs VitaFresh Pro : Engager les tiroirs VitaFresh dans la rainure et les faire glisser vers l'arrière.

Tiroir pour aliments fins

(selon le modèle)

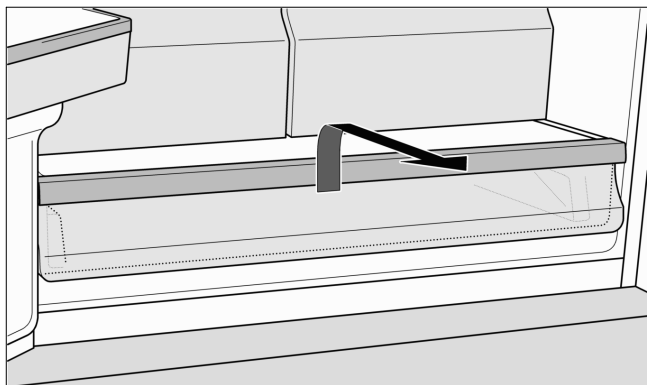
La température du tiroir pour aliments fins est maintenue à un degré constant, juste sous le point de congélation. Cela permet de conserver les viandes et les charcuteries, le poisson, les fruits de mer, les produits laitiers et les fromages à pâte dure et molle dans des conditions d'entreposage optimales.

REMARQUE

Ne jamais entreposer de denrées sensibles au froid dans un tiroir pour aliments fins.

Retrait du tiroir pour aliments fins

1. Tirer le tiroir pour aliments fins au maximum.
2. Soulever la partie avant du tiroir pour aliments fins, puis enlever le tiroir.

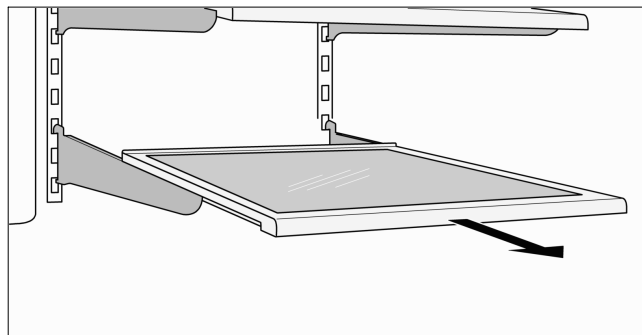


3. Insertion du tiroir : Engager le tiroir pour aliments fins dans la rainure et le faire glisser vers l'arrière.

Agencement modulable du compartiment intérieur

Tablettes en verre

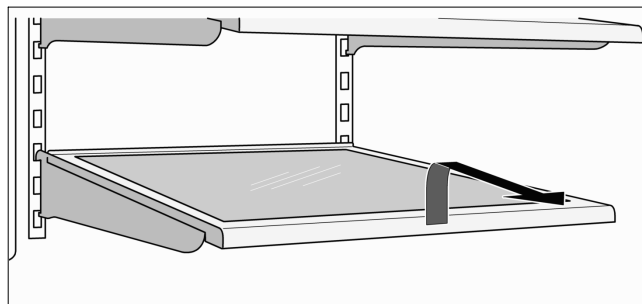
Les tables réglables en verre peuvent s'enlever.



Il est possible de déplacer les tablettes réglables en verre et de régler leur hauteur.

Retrait d'une tablette en verre

Soulever la tablette et la tirer vers soi. La dégager, puis la retirer.

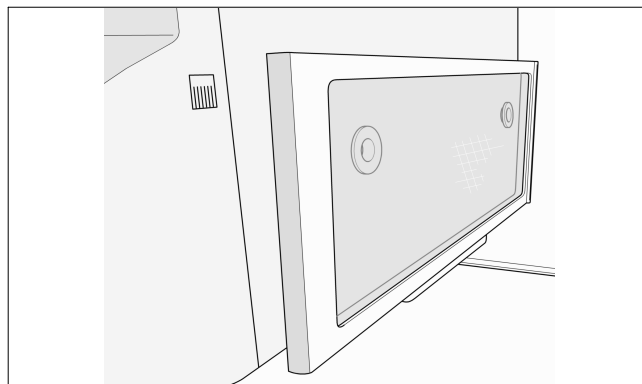


Installation d'une tablette en verre

Soulever l'avant de la tablette et insérer les crochets dans les ouvertures à la hauteur souhaitée. Rabaissier l'avant de la tablette.

Petite tablette

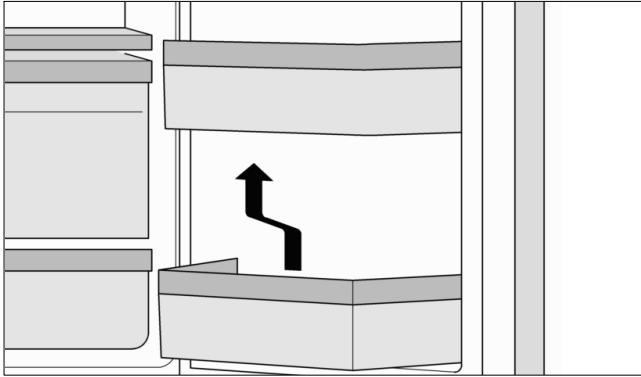
La tablette en verre peut être retirée et rangée sous la machine à glaçons. Cela permet de ranger de plus grands articles, tels que des grandes bouteilles, près de la machine à glaçons.



Balconnets

Pour retirer les balconnets :

Soulever le balconnet et l'enlever.

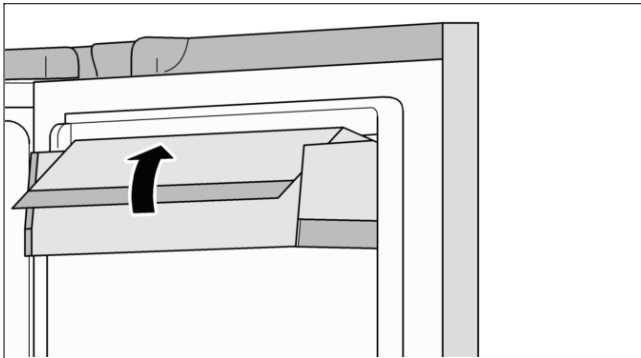


Pour installer les balconnets :

Placer le balconnet à la hauteur voulue et l'abaisser pour le fixer en place.

Casier à beurre et à fromage

Soulever le couvercle du casier à beurre et à fromage.



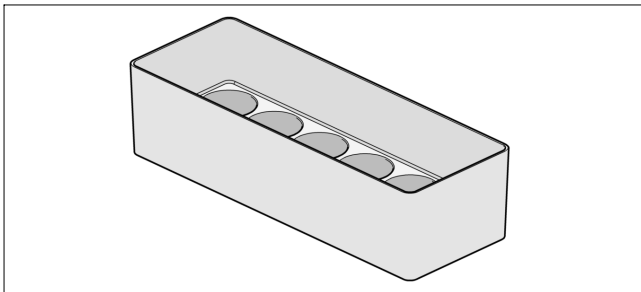
Pour enlever le casier à beurre et à fromage :

Soulever le casier et le retirer.

Pour installer le casier à beurre et à fromage :

Placer le balconnet à la hauteur voulue et l'abaisser pour le fixer en place.

Bac à œufs



Compartiment congélateur



AVERTISSEMENT

Risque d'explosion!

Ne stocker aucun produit contenant des agents propulseurs (p. ex., bombes aérosols), des explosifs ou des substances facilement inflammables.

REMARQUE

Veiller à ce que la porte du compartiment congélateur soit toujours fermée. Si la porte reste ouverte, les produits surgelés décongèleront. Le compartiment congélateur se couvrira d'une épaisse couche de glace. En outre, la forte consommation de courant entraînera un gaspillage d'énergie.

La fermeture de la porte du compartiment congélateur provoque une baisse de pression.

S'il n'est pas possible de rouvrir immédiatement la porte du compartiment congélateur, attendre deux ou trois minutes jusqu'à ce que la pression se stabilise.

Utiliser le compartiment congélateur pour

- stocker des aliments congelés
- congeler des aliments
- fabriquer et stocker des glaçons.

Congélation des aliments

N'utiliser que des aliments frais et intacts. Séparer les aliments à congeler des aliments congelés. Ranger les aliments dans des contenants hermétiques pour éviter qu'ils perdent leur goût ou se dessèchent.

Emballer correctement les aliments :

1. Placer l'aliment dans l'emballage.
2. Évacuer l'air.
3. Sceller l'emballage.
4. Inscrive le contenu et la date de congélation sur l'emballage.

Emballages inadéquats :

papier d'emballage, papier ciré, cellophane, sacs à poubelle et sacs d'épicerie déjà utilisés.

Emballages adéquats :

Pellicule de plastique, films de polyéthylène, feuilles d'aluminium, boîtes de congélation.

Ces produits sont en vente chez votre détaillant.

Moyens de fermeture adéquats :

Bandes élastiques, clips en plastique, ficelle, rubans adhésifs résistants au froid ou articles similaires.

Les sachets et les films de polyéthylène peuvent être scellés au moyen d'une thermoscelleuse.

Durée de conservation des aliments congelés

La durée de conservation dépend du type de produit. À une température de 0 °F (-18 °C) :

- Poisson, saucisses, plats précuisinés, gâteaux et pâtisseries : jusqu'à 6 mois
- Fromages, volailles et viande : jusqu'à 8 mois
- Fruits et légumes : jusqu'à 12 mois.

Achat et stockage de produits congelés

Suivre ces conseils lors de l'achat de produits congelés :

- Vérifier que l'emballage est intact.
- Vérifier la date de péremption.
- La température des congélateurs de supermarché devrait être inférieure à -18 °C. Si tel n'est pas le cas, cela réduit la durée de conservation des produits congelés.
- En faisant son épicerie, acheter les produits congelés en dernier. Les envelopper de papier journal ou les ranger dans un sac thermique et les transporter à la maison.
- À la maison, immédiatement entreposer les produits congelés dans le compartiment congélateur. Les consommer avant leur date de péremption.

Décongélation d'aliments congelés



ATTENTION

Risque d'empoisonnement!

Ne pas recongeler des aliments partiellement ou entièrement décongelés. Les aliments ne peuvent être congelés de nouveau qu'après avoir été transformés (cuits ou sautés). Consommer ces aliments avant la date limite de conservation.

En fonction du type d'aliment et de son utilisation prévue, les aliments congelés peuvent être décongelés de la manière suivante :

- à température ambiante
- au réfrigérateur
- dans un four électrique avec ou sans ventilateur à air chaud
- au four micro-ondes.

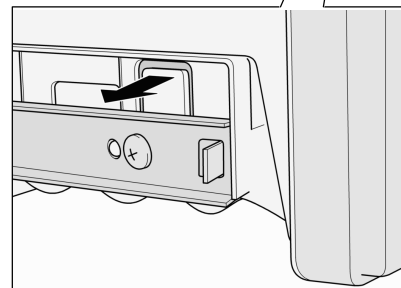
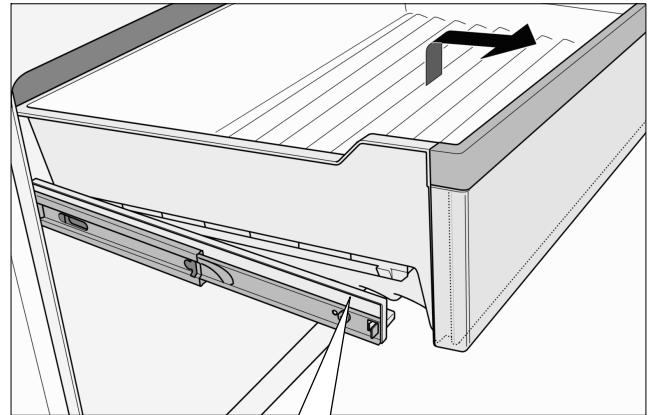
Caractéristiques du compartiment congélateur

Tiroir supérieur du congélateur

Le tiroir du congélateur peut être retiré.

Pour retirer le tiroir supérieur du congélateur :

1. Tirer le tiroir supérieur du congélateur au maximum.
2. Désengager avec soin les clips des deux côtés, puis soulever l'avant du tiroir du congélateur.
3. Retirer le tiroir du congélateur.

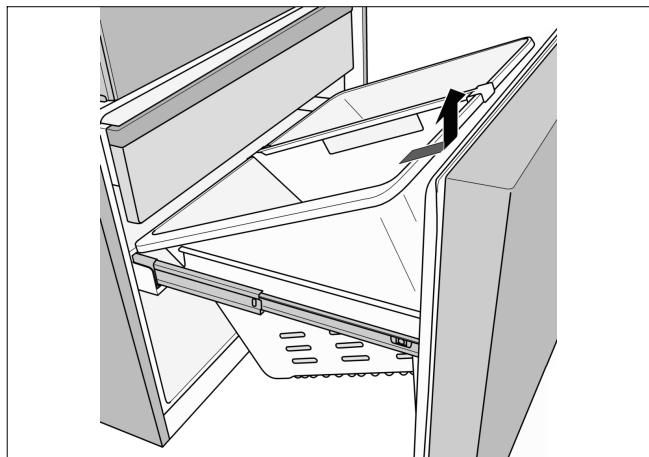


Tiroir inférieur du congélateur

Le tiroir du congélateur peut être retiré.

Pour retirer le tiroir inférieur du congélateur :

Soulever le tiroir du congélateur et le sortir.



Distributeur de glaçons et d'eau

Le distributeur peut fournir :

- de l'eau réfrigérée,
- de la glace pilée,
- des glaçons.



AVERTISSEMENT

Risque de blessures causées par des éclats de verre!

Ne jamais récupérer des glaçons dans des récipients fragiles.



AVERTISSEMENT

Risque de blessures causées par le broyeur à glace!

Ne jamais insérer la main dans l'ouverture du distributeur de glaçons.

REMARQUE

Risque de dommage à l'appareil !

Ne pas mettre de bouteilles ou d'aliments dans le bac à glaçons pour les refroidir rapidement. La machine à glaçons peut se bloquer et être endommagée.

Consignes pour la mise en service de l'appareil

Le distributeur de glaçons et d'eau ne fonctionne que si l'appareil est raccordé à l'alimentation d'eau.

Les premiers glaçons seront prêts 24 heures après la mise en service de l'appareil.

Des bulles d'air resteront emprisonnées dans les tuyaux au moment du raccordement de l'appareil. Extraire de l'eau et la jeter jusqu'à ce que le distributeur verse de l'eau sans de bulles. Jeter les cinq premiers verres d'eau.

Lors de la première utilisation de la machine à glaçons, jeter les 30 à 40 premiers glaçons. Ne pas utiliser de glaçons pour des motifs d'hygiène.

Fonctionnement de la machine à glaçons

Une fois que le compartiment congélateur a atteint la température de congélation, l'eau afflue dans le distributeur et gèle en formant des glaçons. Les glaçons sont alors automatiquement transférés dans le bac à glaçons.

Parfois, plusieurs glaçons peuvent adhérer ensemble. Ils se détachent généralement d'eux-mêmes lorsqu'ils passent par l'ouverture du distributeur.

Une fois le bac à glaçons rempli, la préparation de glaçons cesse automatiquement.

La machine à glaçons peut produire environ 100 glaçons dans un délai de 24 heures, lorsque le bac à glaçons est vidé à plusieurs reprises au cours de la journée.

Lors de la fabrication des glaçons, on entend le bourdonnement de la valve d'eau, l'afflux d'eau dans le bac à glaçons et la chute des glaçons.

Qualité de l'eau potable



ATTENTION

Le filtre à eau livré avec l'appareil ne filtre que les particules en suspension dans l'eau entrante. Il ne retient ni les bactéries, ni les microbes.

Tous les matériaux utilisés dans le distributeur d'eau sont inodores et sans saveur.

L'eau peut avoir un arrière-goût, pour les raisons suivantes :

- Teneur de l'eau potable en sels minéraux et en chlore
- Matériau de la conduite d'eau domestique ou du tuyau de raccordement
- Fraîcheur de l'eau potable. Si de l'eau n'a été prélevée pendant une période prolongée, elle peut avoir un goût « d'eau croupie ». Dans ce cas-là, remplir environ 15 verres d'eau et les jeter.

L'installation au point de captage de l'eau de la cartouche filtrante, fournie à la livraison, peut améliorer le goût et l'odeur de l'eau.

Distribution de l'eau

1. Tenir un récipient adéquat sous le distributeur d'eau et de glaçons.
2. Appuyer sur la touche du distributeur d'eau jusqu'à la quantité souhaitée.



Conseil :

La température de l'eau sortant du distributeur convient à sa dégustation. Pour de l'eau plus froide, ajouter quelques glaçons dans le verre avant de le remplir.

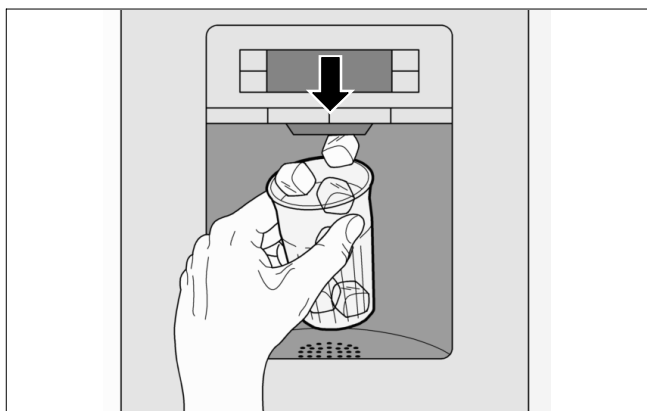
Distribution de glaçons

REMARQUE

Maintenir la touche de glaçons ou de glace pilée enfoncée jusqu'à obtention de la quantité souhaitée. La présence de glaçons dans l'ouverture du distributeur peut faire déborder le récipient ou bloquer l'ouverture du distributeur.

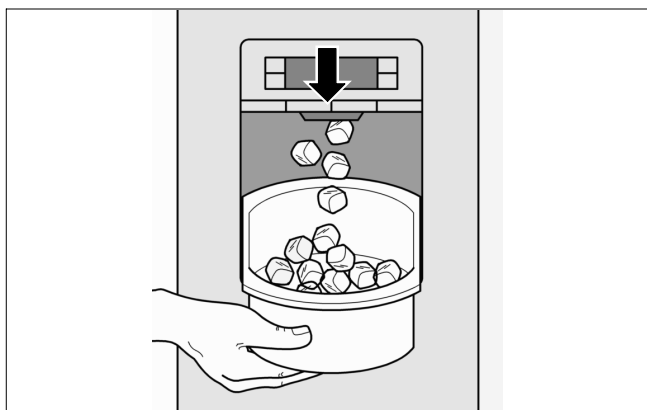
Si vous utilisez des glaçons avant d'utiliser de la glace pilée, des glaçons ou des morceaux de glaçons pourraient se trouver dans l'ouverture du distributeur. Des restes de glaçons sortiront alors du distributeur en même temps que la glace pilée.

1. Tenir un récipient adéquat sous le distributeur d'eau et de glaçons.
2. Maintenir la touche de glaçons ou de glace pilée enfoncée jusqu'à obtention de la quantité souhaitée.



Bac à glaçons

Le bac à glaçons stocke une réserve de glaçons dans le compartiment congélateur. Le bac à glaçons, de par sa forme, s'adapte parfaitement au distributeur d'eau et de glaçons.



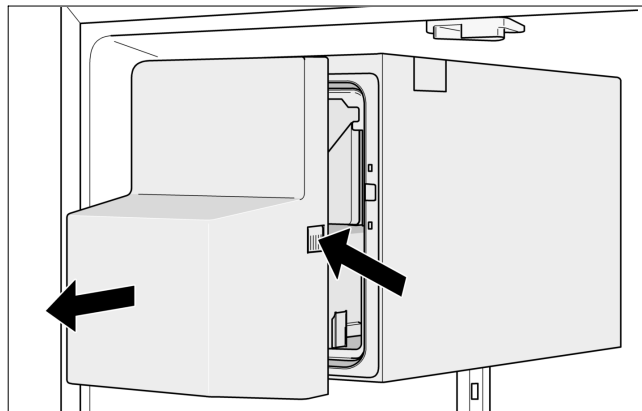
Désactivation du distributeur de glaçons

REMARQUE

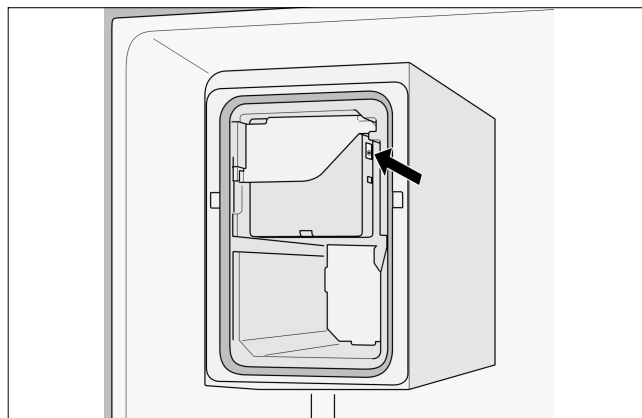
Veiller à couper l'alimentation en eau de l'appareil quelques heures avant de désactiver la machine à glaçons.

Si le distributeur à glaçons n'est pas utilisé pendant plus d'une semaine (p. ex., départ en vacances), désactiver temporairement la machine à glaçons pour éviter que les glaçons ne gèlent ensemble.

1. Appuyer sur le bouton d'éjection et retirer le bac à glaçons.



2. Appuyer sur la touche pendant trois secondes (la lampe à DEL est éteinte) derrière le bac à glaçons. La machine à glaçons est alors désactivée.



3. Vider le bac à glaçons et le nettoyer.
4. Pousser complètement le bac à glaçons vers le fond jusqu'à ce qu'il s'enclenche dans les supports.

Remise en service du distributeur de glaçons :

- Appuyer sur la touche pendant trois secondes (la lampe à DEL est allumée) derrière le bac à glaçons. La machine à glaçons est alors activée.

Filtere à eau



ATTENTION

Dans les localités où la qualité de l'eau est douteuse ou insuffisamment connue, ne pas utiliser l'appareil sans avoir pris des mesures de désinfection appropriées en amont et en aval du dispositif de filtrage.

Le service après-vente peut fournir une cartouche filtrante pour filtrer les particules.

Le filtre devrait être remplacé au plus tard au bout après six mois d'utilisation.

Après six mois, le symbole du filtre à eau clignote signalant qu'il est temps de remplacer la cartouche filtrante (voir le chapitre « Symbole du filtre à eau »).

Autres exigences relatives au raccordement

Ne pas installer de cartouche filtrante si la pression de l'eau dépasse 8,2 bar (116 psi).

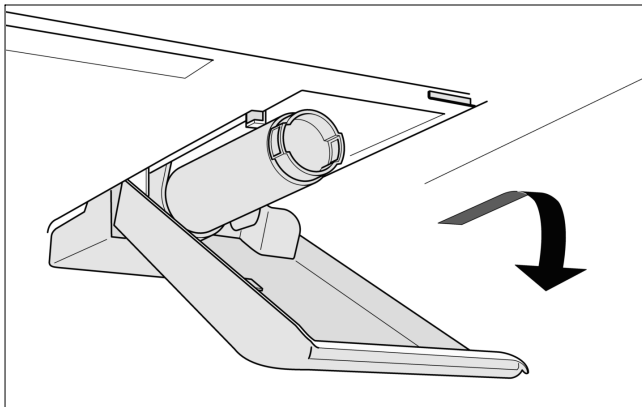
Si la pression de l'eau dépasse 5,5 bar (80 psi), il faut installer un réducteur de pression.

Remarque importante

- Si l'appareil est resté assez longtemps sans servir ou si l'eau a un goût ou une odeur désagréable, bien rincer le circuit d'eau. Pour ce faire, faire couler de l'eau du distributeur pendant plusieurs minutes. Si le goût ou l'odeur désagréable persiste, remplacer la cartouche filtrante.
- Le distributeur d'eau et de glaçons peut s'utiliser sans cartouche filtrante. Dans ce cas, remplacer la cartouche filtrante par le bouchon de dérivation.

Installation et changement de la cartouche filtrante

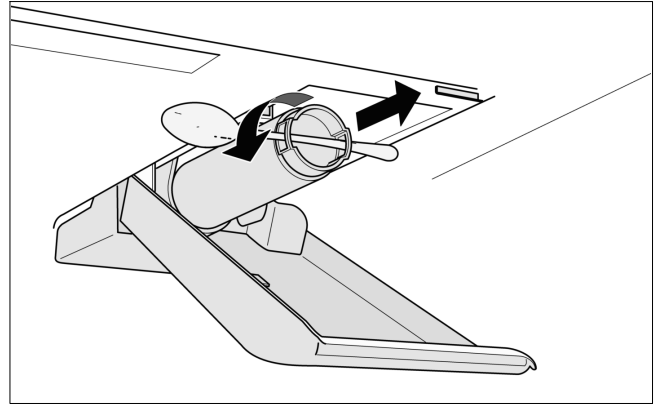
1. Tirer le couvercle vers soi, puis l'abaisser.



REMARQUE

Enlever la cartouche filtrante avec précaution! Après utilisation, le circuit d'eau a une faible pression.

2. Tourner doucement le filtre ou le bouchon de dérivation de 90° dans le sens contraire des aiguilles d'une montre, à l'aide d'une cuillère par exemple, puis le retirer.

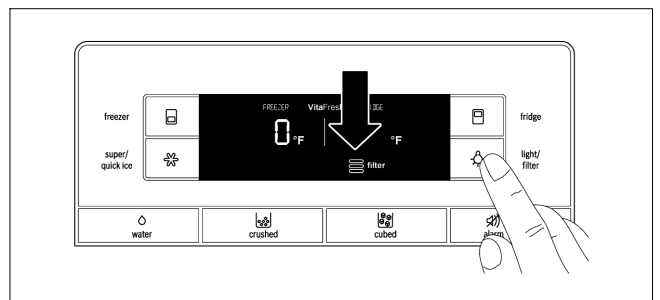


3. Sortir la nouvelle cartouche filtrante de son emballage.
4. Mettre la cartouche filtrante neuve en place et la tourner doucement de 90° dans le sens des aiguilles d'une montre aussi loin que possible, à l'aide d'une cuillère par exemple.

REMARQUE

La cartouche filtrante doit être serrée manuellement de manière à éviter toute fuite et à alimenter suffisamment l'appareil en eau.

5. Soulever le couvercle et le fermer.
6. Ouvrir l'arrivée d'eau de l'appareil.
7. Soutirer environ quatre litres d'eau du distributeur d'eau. Cette précaution chasse l'air du circuit d'eau.
8. Vider l'eau encore présente dans l'ancienne cartouche filtrante. Elle peut ensuite être jetée avec les déchets domestiques.
9. Appuyer sur la touche « light/filter » et la maintenir enfoncée pendant trois secondes. L'indicateur d'utilisation du filtre compteur du filtre se réinitialise. Le symbole arrête de clignoter. La nouvelle cartouche filtrante est activée.



Fiche de performances

Modèle 9000 777508, 9000 705475 and 9000 225170

Utiliser une cartouche de rechange 9000 674655.

La concentration des substances indiquées dans l'eau pénétrant dans le système a été réduite à une valeur inférieure ou égale à la valeur limite admissible pour l'eau quittant l'appareil, selon les normes NSF/ANSI 42 et 53.



Le système a été évalué et certifié par NSF International selon les normes NSF/ANSI 42 et 53 relatives à la réduction des demandes spécifiées sur la fiche de performances.

Capacité de 739,68 gallons (2 800 litres)

Réduction des contaminants déterminée par l'évaluation de NSF.

Réduction de contaminants	Flux entrant moyen	Concentration d'essai prévue par NSF	Moyenne de réduction en %	Concentration moyenne dans l'eau sortante	Concentration max. admissible dans l'eau sortante	Exigences de réduction NSF	Rapport d'évaluation NSF
Goût et odeur de chlore	2,1 mg/L	2,0 mg/L ±10 %	97,6 %	0,05 mg/L	s.o.	≥ 50 %	J-00121313
Classe particulaire nominale I ≥ 0,5 à < 1,0 µm	9,100,000 pts/mL	Min. 10,000 particules/mL	98,8 %	111,817 pts/ml	s.o.	≥ 85 %	J-00099871
Kyste *	170,000 kystes/L	50,000 cysts/L minimum	99,99 %	0,001 kyste/L	s.o.	≥ 99,95 %	J-00109715

* Basé sur l'utilisation d'oocystes de *Cryptosporidium parvum*

Directives d'application/Paramètres d'alimentation en eau

Vitesse d'écoulement	0,75 gal/min (2,83 l/min)
Alimentation en eau	Eau potable
Pression de l'eau	30 à 120 lb/po ² (207 à 827 kPa)
Température de l'eau	33 °F - 100 °F (0.6 °C - 38 °C)

Il est impératif que les installations recommandées, l'entretien et les exigences de remplacement du filtre du fabricant soient respectés pour assurer le bon fonctionnement du produit. Voir la notice d'installation pour obtenir des renseignements sur la garantie.

Remarque : Étant donné que l'évaluation ont été effectuée en conditions normales de laboratoire, les performances actuelles peuvent varier.

Cartouche de rechange : 9000 674655. Pour obtenir le coût approximatif des éléments de rechange, veuillez communiquer avec votre fournisseur local ou appelez au 1 800 578-6890.



AVERTISSEMENT

Pour réduire le risque associé à l'ingestion de contaminants :

Ne pas utiliser avec une eau insalubre sur le plan microbiologique ou de l'eau dont la qualité est inconnue sans une désinfection adéquate en amont et en aval du système. Un système certifié capable de réduire la teneur en kystes peut être utilisé dans de l'eau désinfectée pouvant contenir des kystes filtrables.

Numéro de mise en place APE 10350-MN-005

REMARQUE

Pour réduire le risque associé aux dégâts matériels causés par une fuite d'eau ou des inondations :

Lisez et suivez toutes les instructions avant d'installer et d'utiliser ce système

Pour réduire les risques de fuites d'eau ou d'inondation, et pour garantir une performance optimale du filtre :

Changez la cartouche filtrante jetable tous les six mois ou plus tôt si vous remarquez une réduction notable du débit d'eau.

Une cartouche filtrante jetable qui n'est pas remplacée aux intervalles recommandés peut entraîner une réduction des performances du filtre et causer des fissures au niveau du boîtier du filtre, provoquant des fuites d'eau ou des inondations.

Conseils pour économiser l'énergie

- Installer l'appareil dans un endroit sec et bien aéré, à l'abri du soleil et éloigné d'une source de chaleur (radiateur, poêle, etc.) Utiliser une plaque isolante, le cas échéant.
- Faire refroidir les boissons et les aliments chauds à température ambiante avant de les entreposer dans l'appareil.
- Pour décongeler des aliments, les placer dans le compartiment réfrigérateur. La basse température des aliments congelés refroidit les aliments du réfrigérateur.
- Ouvrir et fermer les portes de l'appareil aussi rapidement que possible.

Bruits de fonctionnement

Bruits normaux

Bourdonnement - L'unité de réfrigération fonctionne. Le ventilateur du système de circulation d'air fonctionne.

Gargouillis, murmures ou clapotis légers - Le réfrigérant circule dans les tubulures ou l'eau afflue dans la machine à glaçons.

Cliquetis - Le moteur se met en marche ou s'arrête. Le robinet électromagnétique situé au branchement de l'eau s'ouvre ou se ferme.

Bruit de chute - Les glaçons de la machine à glaçons chutent dans le bac.

Résolution de problèmes de bruit simples

L'appareil n'est pas d'aplomb

Mettre le réfrigérateur à niveau à l'aide d'un niveau à bulle. Ajuster ensuite les pieds réglables ou placer un objet dessous.

L'appareil touche des unités ou des appareils contigus

Éloigner l'appareil de meubles ou d'appareils voisins.

Tiroirs, paniers ou surfaces de rangement mal fixés ou coincés

Vérifier les pièces amovibles puis, le cas échéant, les réinstaller correctement.

Des contenants se touchent

Éloigner légèrement les bouteilles ou contenants les uns des autres.

Dégivrage

Compartiment congélateur

Grâce au système NoFrost entièrement automatique, le compartiment congélateur ne givre pas. Il n'est plus nécessaire de dégivrer.

Compartiment réfrigérateur

Le dégivrage est automatique.

L'eau de condensation s'écoule par le trou de drainage puis gagne le bac d'évaporation, au dos de l'appareil.

Arrêt et débranchement de l'appareil

Arrêt de l'appareil

Débrancher l'appareil ou désarmer le fusible.

Débranchement de l'appareil

Si l'appareil doit rester longtemps sans servir :

1. Il est essentiel de couper l'arrivée d'eau de l'appareil quelques heures avant de l'éteindre.
2. Sortir tous les aliments de l'appareil.
3. Le débrancher.
4. Enlever la cartouche filtrante et la jeter.
5. Vider le bac à glaçons et le nettoyer.
6. Nettoyer l'intérieur de l'appareil (voir le chapitre « Nettoyage de l'appareil »).

Pour prévenir les odeurs, laisser les portes ouvertes.

Nettoyage



AVERTISSEMENT

Risque d'électrocution!

Débrancher l'appareil ou désarmer le disjoncteur (ou le fusible) avant de nettoyer l'appareil.



ATTENTION

Pour éviter des blessures ou des dégâts matériels, respecter les consignes suivantes :

Ne jamais nettoyer l'appareil à l'aide d'un nettoyeur à vapeur.

Ne pas employer de produits de nettoyage ou de solvants abrasifs ou acides.

Essuyer les éclairages et le bandeau de commande avec un chiffon humide seulement. Veiller à ce que l'eau de nettoyage ne coule pas sur les ampoules ou sous le bandeau de commande.

Veiller à ce que l'eau de nettoyage ne coule pas dans le trou de drainage du bac d'évaporation.

Ne jamais mettre les tablettes et les bacs au lave-vaisselle. Ces pièces pourraient se déformer.

Nettoyage de l'appareil

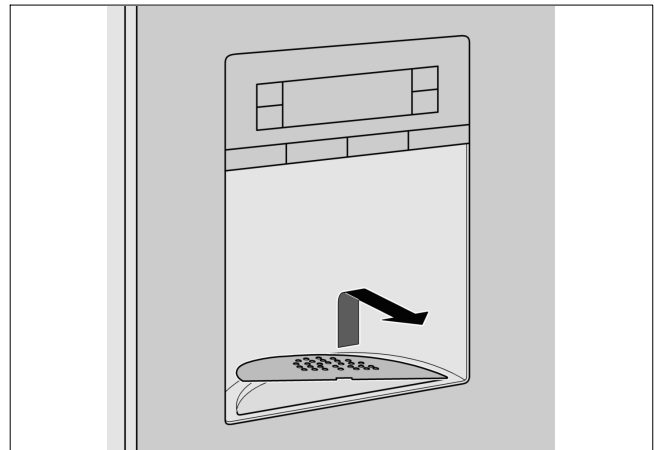
Les compartiments VitaFresh et le tiroir pour aliments fins peuvent être retirés pour le nettoyage.

1. Débrancher l'appareil ou désarmer le fusible.
2. Sortir tous les produits alimentaires de l'appareil et les entreposer dans un endroit frais.
3. Nettoyer l'appareil avec un chiffon doux, en utilisant de l'eau tiède additionnée d'un peu de produit à vaisselle à pH équilibré.
4. Ensuite, essuyer.
5. Nettoyer le joint de porte à l'eau claire seulement; ensuite, l'essuyer complètement.
6. Après le nettoyage, rebrancher l'appareil pour le remettre en service.

Nettoyage du bac de récupération d'eau

L'eau renversée est recueillie dans le bac de récupération.

Pour le vider et le nettoyer, retirer le filtre. Essuyer le bac de récupération d'eau avec une éponge ou du papier absorbant.



Nettoyage du bac à glaçons

Si le distributeur à glaçons n'a pas été utilisé pendant une période prolongée, les glaçons vont rétrécir, auront un goût d'eau croupie et adhéreront les uns aux autres.

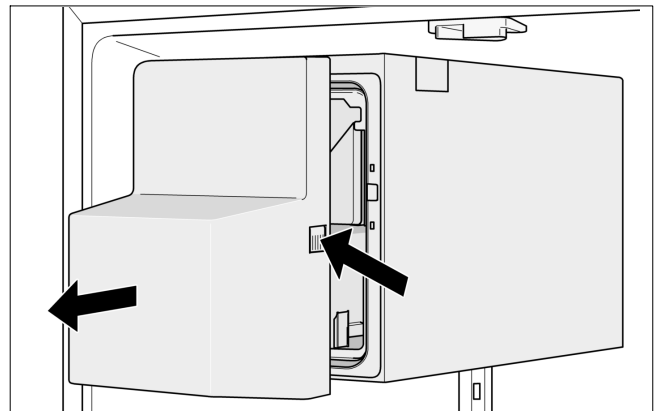


ATTENTION

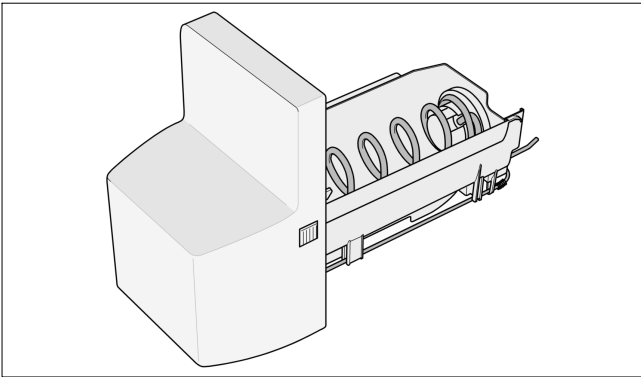
Risque de blessure!

Un bac rempli de glaçons est lourd. Faire attention lors du retrait du bac à glaçons.

1. Appuyer sur le bouton d'éjection et retirer le bac à glaçons.



2. Vider le bac à glaçons et le nettoyer à l'eau tiède.



3. Complètement sécher le bac et la vis d'extraction pour éviter que les nouveaux glaçons ne collent à la surface.

Mise en place du bac à glaçons

4. Pousser complètement le bac à glaçons vers le fond jusqu'à ce qu'il s'enclenche dans les supports.

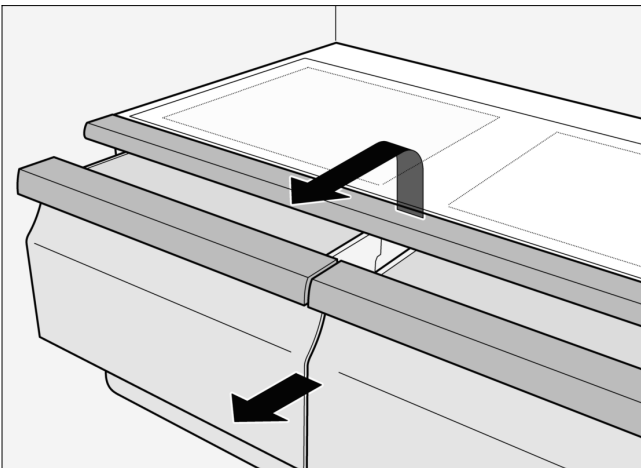
REMARQUE

Si le bac ne peut être poussé jusqu'au fond, tourner un peu la vis d'extraction dans le bac et retirer les glaçons coincés dans la zone d'insertion.

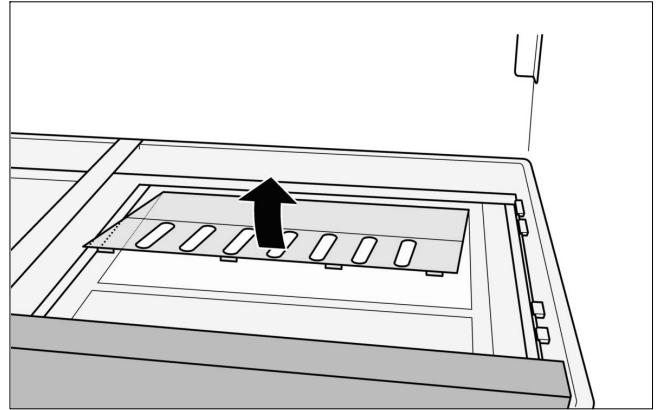
Extraction du filtre d'humidité spécial

(selon le modèle)

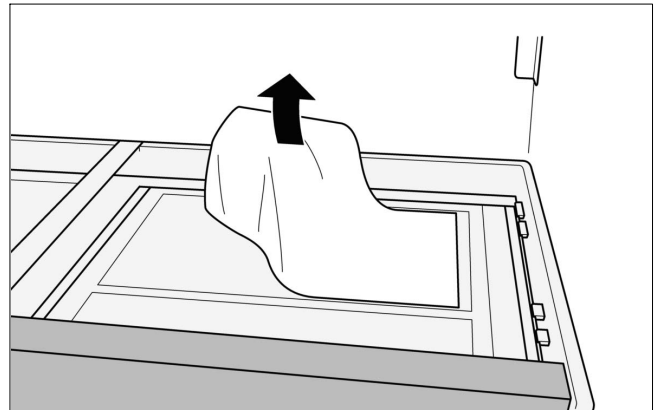
- Sortir les tiroirs VitaFresh d'environ 10 cm (4 po).
- Rabattre la tablette en verre au-dessus des tiroirs VitaFresh et retirer ceux-ci.



3. Passez la main entre les ouvertures du couvercle, dégager délicatement les quatre encoches avant et retirer le couvercle.



4. Retirer le filtre d'humidité spécial.



- Nettoyer le filtre d'humidité avec de l'eau tiède et le faire sécher.
- Replacer le filtre d'humidité spécial.
- Remettre la partie arrière du couvercle en place, abaisser le couvercle et vérifier que sa partie avant s'engage correctement.
- Remettre la tablette en verre en place et fermer les tiroirs VitaFresh.

Ampoule à DEL

L'appareil est équipé d'un éclairage à DEL qui n'exige aucun entretien.

À l'ouverture des portes, l'ampoule intérieure s'allume progressivement et se tamise graduellement à la fermeture des portes.

Le distributeur d'eau et de glaçons s'allume progressivement lorsqu'il est activé et s'éteint graduellement lorsqu'il est désactivé.



ATTENTION

Risque de lésions oculaires provoquées par le rayonnement laser de classe 1M (norme IEC 60825)!

Ne jamais regarder directement la lumière avec des instruments d'optiques.

Seuls le service après-vente ou des techniciens qualifiés sont autorisés à réparer ces lumières.

Diagnostic et résolution de problèmes mineurs

Avant d'appeler le service après-vente :

- Veuillez vérifier si vous ne pouvez pas remédier vous-même au problème à l'aide des conseils suivants.

Le service après-vente facturera ses conseils, même si l'appareil est encore sous garantie.

Compartiment du réfrigérateur et compartiment du congélateur

Problème	Cause possible	Mesure corrective	
L'appareil ne refroidit pas, le distributeur d'eau et de glaçons ne fonctionne pas et le bandeau affiche les diverses fonctions à tour de rôle.	L'appareil est en mode démonstration.	Appuyer sur les touches « fridge » et « super/quick ice » en même temps et appuyer sur la touche « light/filter » cinq fois.	
Rien ne s'affiche à l'écran, l'éclairage intérieur ne fonctionne pas, l'appareil ne fonctionne pas.	Le câble d'alimentation n'est pas branché.	Brancher le câble d'alimentation.	
	Fusible grillé ou disjoncteur désarmé.	Remplacer le fusible ou réarmer le disjoncteur. Vérifier que la prise murale est alimentée en électricité.	
	Panne d'électricité.	Attendre que l'électricité se rétablisse. Contacter au besoin un électricien ou la compagnie d'électricité.	
L'éclairage intérieur ne fonctionne pas.	L'interrupteur du compartiment congélateur ou réfrigérateur se coince.	Vérifier le mouvement de l'interrupteur.	
	L'ampoule à DEL est défectueuse.	Voir le chapitre « Éclairage (DEL) ».	
La température des aliments est trop froide.	Le réglage de la température est trop bas.	Régler la température à la hausse.	
La température des aliments n'est pas assez froide.	La porte ne se ferme pas correctement.	Mettre le réfrigérateur à niveau à l'aide d'un niveau à bulle. Voir le chapitre « Mise à niveau de l'appareil ». Vérifier la position des tiroirs et les replacer correctement, le cas échéant. Vérifier les joints des portes et le meneau rabattable de la porte; les nettoyer et corriger leur position, le cas échéant.	
	Le réglage de la température est trop élevé.	Régler la température à la baisse.	
	L'ouverture d'aération est obstruée.	Dégager l'ouverture d'aération de tout produit alimentaire.	
	Les portes ont été ouvertes trop fréquemment ou sont restées ouvertes trop longtemps.	Attendre que la température baisse à l'intérieur de l'appareil.	
	Une grande quantité d'aliments a été entreposée dans le réfrigérateur.	Les aliments doivent atteindre la température de stockage appropriée.	
	Une odeur désagréable se dégage de l'appareil.	Des aliments à l'odeur prononcée ont été placés dans le réfrigérateur.	Emballer ces aliments ou les mettre dans un contenant hermétique.
		L'intérieur a besoin d'être nettoyé.	Nettoyer l'intérieur.

Problème	Cause possible	Mesure corrective
Des gouttelettes d'eau se forment à l'extérieur de l'appareil.	La porte ne se ferme pas correctement.	Mettre le réfrigérateur à niveau à l'aide d'un niveau à bulle. Voir le chapitre « Mise à niveau de l'appareil ».
		Vérifier la position des tiroirs et les replacer correctement, le cas échéant.
Des gouttelettes d'eau se forment à l'extérieur de l'appareil.	Le taux d'humidité est trop élevé.	Vérifier les joints des portes et le meneau rabattable de la porte; les nettoyer et corriger leur position, le cas échéant.
	Le taux d'humidité est trop élevé ou les portes sont ouvertes trop fréquemment.	Cela est normal dans certaines régions.
Les tiroirs ne se ferment qu'avec difficulté.	Les joints des portes ne sont pas étanches.	Ne pas ouvrir les portes aussi fréquemment ou les garder ouvertes moins longtemps.
	Le tiroir n'est pas correctement inséré.	Vérifier les joints des portes et le meneau rabattable de la porte; les nettoyer et corriger leur position, le cas échéant.
Les supports du tiroir sont sales.	Les supports du tiroir sont sales.	Insérer le tiroir correctement.
		Nettoyer les supports du tiroir.

Distributeur de glaçons et d'eau

Problème	Cause possible	Mesure corrective
L'indicateur d'utilisation du filtre à eau clignote.	La cartouche filtrante a besoin d'être changée.	Remplacer la cartouche filtrante.
	Après le remplacement de la cartouche filtrante, l'indicateur d'utilisation du filtre n'a pas été réinitialisé.	Réinitialiser l'indicateur de l'utilisation du filtre.
La machine à faire les glaçons ne fabrique pas suffisamment de glaçons ou les glaçons sont irréguliers.	L'appareil ou la machine à glaçons viennent d'être mis en service.	Après la mise en service de l'appareil, pour que les premiers glaçons sont prêts en 24 heures.
	Une grande quantité de glaçons a été utilisée.	Il faut environ 24 heures pour que le bac à glaçons se remplisse.
	La pression de l'eau est trop basse.	Faire vérifier la pression de l'eau.
La machine à glaçons ne fabrique pas suffisamment de glaçons ou ne fonctionne pas du tout.	La cartouche filtrante est bouchée ou a besoin d'être changée.	Remplacer la cartouche filtrante.
	Un glaçon est coincé sur le bras de détection du niveau de glaçons dans le bac à glaçons.	Retirer le bac à glaçons et détacher les glaçons à l'aide d'un ustensile en plastique. Ne pas utiliser d'objets pointus ou tranchants qui pourraient endommager l'appareil.
	En passant de la distribution de glaçons à celle de glace pilé, un glaçon peut se coincer dans le distributeur. Le cube commencera à fondre et à goutter dans le distributeur d'eau et de glaçons.	Déloger le cube de glace coincé dans le distributeur au moyen d'un ustensile en plastique. Ne pas utiliser d'objets pointus ou tranchants qui pourraient endommager l'appareil.
Le bac à glaçons contient des glaçons qui ne sont pas éjectés.	Une couche de glace recouvre le transporteur à vis.	Retirer et nettoyer le bac à glaçons.
	Les glaçons adhèrent les uns aux autres.	Retirer et nettoyer le bac à glaçons.

Problème	Cause possible	Mesure corrective
La machine à glaçons ne fabrique pas glaçons.	La machine à glaçons est éteinte.	Allumer la machine à glaçons.
	L'appareil n'est pas alimenté en eau.	Faire vérifier le raccordement de l'eau par un technicien agréé.
	La conduite d'eau s'est entortillée.	Fermer l'arrivée d'eau de l'appareil. Détortiller la conduite d'eau. Faire remplacer toute conduite endommagée par des pièces d'origine du fabricant.
	La pression de l'eau est trop basse.	Faire vérifier la pression de l'eau.
	La température du compartiment congélateur est trop élevée.	Régler la température du compartiment congélateur un peu plus froide.
	Le bac à glaçons n'est pas installé correctement.	Installer correctement le bac à glaçons.
L'eau ne s'écoule pas, ou très peu, du distributeur d'eau.	L'alimentation en eau n'est pas raccordée correctement.	Si l'alimentation en eau n'est pas raccordée correctement, la pression de l'eau pourrait être trop basse, ce qui peut endommager l'appareil.
	La cartouche filtrante est bouchée ou a besoin d'être changée.	Remplacer la cartouche filtrante.
	La pression de l'eau est trop basse.	Faire vérifier la pression de l'eau.
	Le robinet d'arrêt n'est pas complètement ouvert.	Ajuster le robinet d'arrêt pour qu'il s'ouvre complètement.
L'eau du distributeur n'est pas froide.	La conduite d'eau s'est entortillée.	Fermer l'arrivée d'eau de l'appareil. Détortiller la conduite d'eau. Faire remplacer toute conduite endommagée par des pièces d'origine du fabricant.
	L'appareil vient d'être installé.	Il faut environ 12 heures pour que l'eau refroidisse.
L'eau est trouble.	L'eau est restée dans les conduites pendant une période prolongée et s'est adaptée à la température ambiante.	Remplir et jeter les 15 premiers verres d'eau.
	Il y a de l'air ou des bulles dans l'eau.	Ceci est normal lors de la première utilisation du distributeur d'eau. L'eau s'éclaircit en peu de temps.
Des particules en suspension flottent dans l'eau ou sont emprisonnées dans les glaçons.	Lorsque l'eau passe à travers la cartouche filtrante pour la première fois, il se peut qu'elle contienne de la poussière de charbon issue de la cartouche filtrante.	Ces particules en suspension ne sont pas nocives! Elles disparaîtront en peu de temps.
	Les particules en suspension se forment à partir de dépôts minéraux lorsque l'eau gèle puis dégèle.	Ces particules en suspension ne sont pas nocives! Ces particules sont présentes naturellement dans les sources d'approvisionnement en eau.

Service après-vente

Avant d'appeler le service après-vente :

Veuillez vérifier si vous ne pouvez pas remédier vous-même au problème à l'aide des instructions fournies dans le chapitre « Diagnostic et résolution de problèmes mineurs ».

Si ces informations s'avèrent insuffisantes pour résoudre le problème, le service après-vente de Bosch offre de l'aide supplémentaire.

États-Unis :

Contactez le Bosch Customer Interaction Center en appelant le 1-800-944-2904 (numéro sans frais).

Canada :

Contactez votre société de service agréée par Bosch ou appelez le 1-800-944-2904.

Pour mieux vous aider, inscrire les renseignements relatifs à votre appareil ci-dessous, pour consultation ultérieure :

Nom du revendeur

Adresse

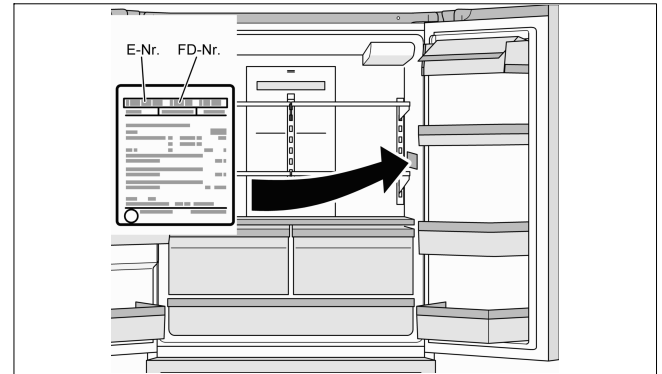
Numéro de téléphone

Date d'achat

Numéro de modèle (numéro E)

Numéro de série (numéro FD)

Fournir au technicien le numéro du modèle (numéro E) et le numéro de série (numéro FD) de l'appareil.



Ces renseignements figurent sur la plaque signalétique située du côté droit de l'intérieur du compartiment réfrigérateur.


es Índice

INSTRUCCIONES DE SEGURIDAD IMPORTANTES	63	Cajón para fiambres	78
Información sobre eliminación de residuos	64	Diseño interior variable	78
Alcance del suministro	65	Compartimiento del congelador	79
Instalación del aparato	65	Congelar alimentos	79
Instalación y conexión del aparato	66	Adquisición y almacenado de alimentos ultracongelados	80
Dimensiones del aparato y de instalación	71	Descongelamiento de alimentos congelados ..	80
Conozca mejor su aparato	72	Características del compartimiento del congelador	81
Panel de visualización y control	73	Dispensador de hielo y agua	81
Consejos de uso	74	Filtro de agua	83
Encendido del aparato	74	Hoja de datos de rendimiento	85
Configuración de la temperatura	74	Consejos de ahorro de energía	86
Función de alarma	75	Ruidos de funcionamiento	86
Bloqueo del panel	75	Descongelamiento	86
Super enfriamiento	75	Apagar y desconectar el aparato	86
Super congelación	76	Limpieza	87
Hielo rápido	76	Luz LED	88
Símbolo de filtro de agua	76	Resolución de problemas menores	89
Unidad de temperatura	76	Servicio de asistencia al cliente	92
Compartimiento del refrigerador	77		
Compartimiento VitaFresh Pro	77		

INSTRUCCIONES DE SEGURIDAD IMPORTANTES

¡LEA ESTAS INSTRUCCIONES Y CONSÉRVELAS!

Definiciones

 **ADVERTENCIA**

Indica que, en caso de incumplimiento de esta instrucción, pueden producirse lesiones graves o incluso la muerte.

 **ATENCIÓN**

Indica que, en caso de incumplimiento de esta instrucción, pueden producirse lesiones leves o moderadas.

NOTA

Indica que, en caso de incumplimiento de esta instrucción, pueden producirse daños al aparato u otros daños materiales.

ADVERTENCIA: Antes de encender el aparato

Lea atentamente las instrucciones de uso e instalación, incluidas las siguientes. Contienen información importante de seguridad e instrucciones para la instalación, el uso y el mantenimiento del aparato.

El fabricante no asumirá ninguna responsabilidad en caso de incumplimiento de estas instrucciones y advertencias. Conserve todos los documentos para su uso futuro o para el siguiente propietario.

Seguridad técnica

Las instalaciones o reparaciones inadecuadas pueden suponer un riesgo para el usuario.

Todas las reparaciones deben ser encargadas a un técnico de servicio autorizado.

Utilice siempre repuestos originales suministrados por el fabricante. Solo los repuestos originales suministrados por el fabricante cumplen con los requisitos de seguridad.

Si el cable de alimentación del aparato se daña, deberá solicitar su reemplazo a un técnico de servicio autorizado.

El aparato está provisto de un cable de alimentación de 3 polos certificado por UL.

Nunca corte ni extraiga la tercera clavija (de conexión a tierra) del cable de alimentación.

Este aparato necesita una toma de corriente de pared de 3 polos con conexión a tierra. La toma de corriente de pared debe ser instalada por un electricista calificado de acuerdo a la normativa local vigente.

En caso de que en la pared exista un receptáculo de toma de corriente estándar de 2 polos, es responsabilidad del cliente hacerlo cambiar por un receptáculo de 3 polos correctamente conectado a tierra. No utilice adaptadores de enchufe.

Información importante acerca del uso del aparato


- Nunca utilice dispositivos eléctricos dentro del aparato. ¡Riesgo de explosión!
- No utilice limpiadoras a vapor para desempañar o limpiar el aparato. El vapor podría penetrar en los componentes eléctricos y provocar un cortocircuito. ¡Riesgo de descarga eléctrica!
- No utilice objetos puntiagudos ni filosos para eliminar la escarcha o el hielo acumulado. Podría dañar los conductos de refrigerante. En caso de fuga, el refrigerante puede incendiarse o causar lesiones oculares.
- No almacene en el aparato productos que contengan propelentes inflamables (p. ej., aerosoles) o sustancias explosivas. ¡Riesgo de explosión!
- No se encarama ni se apoye en la base, los cajones, las puertas ni ninguna otra parte del aparato. Podría dañar el aparato o lesionarse usted mismo.
- Para limpiar el aparato, desenchufe el cable de alimentación o desconecte el interruptor o fusible de la instalación eléctrica. No desenchufe el cable de alimentación jalando de él.
- Las botellas con un alto contenido de alcohol deben cerrarse herméticamente y almacenarse en posición vertical.
- Mantenga las piezas de plástico y los sellos de las puertas libres de aceite y grasas. De no hacerlo, las piezas y los sellos se volverán porosos.
- No cubra ni bloquee las ventilas del aparato. De lo contrario, el aparato se verá forzado a trabajar con más potencia y consumirá más energía.
- No permita a los niños usar el aparato sin la supervisión de un adulto.
- No almacene en el compartimiento del congelador bebidas embotelladas o enlatadas (sobre todo si son carbonatadas). ¡Las botellas o latas podrían explotar!

INSTRUCCIONES DE SEGURIDAD IMPORTANTES

¡LEA ESTAS INSTRUCCIONES Y CONSÉRVELAS!

- No introduzca en su boca paletas ni cubitos de hielo recién salidos del compartimiento del congelador. ¡Riesgo de quemaduras por baja temperatura!
- No toque superficies ni alimentos congelados en el congelador con las manos mojadas. La piel podría quedarse adherida a estas superficies extremadamente frías. ¡Riesgo de lesiones!
- No raspe la escarcha o el hielo acumulado con un cuchillo u otro objeto puntiagudo. Podría dañar el aparato o lesionarse usted mismo.

Hogares con niños

 **ADVERTENCIA**

¡Riesgo de asfixia por las cajas de cartón y bolsas de plástico! Mantenga el embalaje y los elementos de embalaje fuera del alcance de los niños.

¡No permita que los niños jueguen con el aparato!

Si el aparato tiene cerradura, mantenga la llave fuera del alcance de los niños.

Requisitos generales


Este aparato sirve para

- refrigerar alimentos
- congelar alimentos
- producir hielo
- dispensar agua potable.

Este aparato está concebido para un uso doméstico y en ambientes residenciales.

El circuito de refrigeración se revisa en fábrica para comprobar que no haya fugas.

Advertencias en virtud de la Proposición 65 del estado de California

 **ADVERTENCIA**

Este producto puede exponerlo a sustancias químicas, incluyendo cloruro de vinilo, que el estado de California sabe que provocan cáncer, defectos congénitos u otro daño reproductivo.

Para obtener más información, ir a la página web: www.P65Warnings.ca.gov

Información sobre eliminación de residuos

Desecho del embalaje


El embalaje protege al aparato contra los daños de transporte. Todos los materiales usados son seguros para el medio ambiente y reciclables. Para ayudarnos con esta tarea, deseche los materiales de embalaje de un modo respetuoso con el medio ambiente.

Antes de desechar el embalaje, extraiga las asas.

Consulte al distribuidor o a la administración local acerca de los medios vigentes para la eliminación de residuos.

Desecho del aparato usado

¡Los aparatos usados son reutilizables! Reciclar aparatos usados permite recuperar materias primas valiosas.

 **ADVERTENCIA**

¡Riesgo de encierro de niños!

Los niños pueden quedar encerrados en el aparato.

Antes de desechar el refrigerador usado:

Extraiga las puertas y el cajón del compartimiento del congelador.

Deje los estantes y contenedores en su lugar para que los niños no puedan meterse fácilmente al interior.

Para desechar los aparatos de manera adecuada:

1. Desconecte el enchufe de alimentación.
2. Corte el cable de alimentación y deséchelo junto con el enchufe.
3. No extraiga las bandejas ni los estantes. De esta manera impide que los niños puedan meterse al interior.
4. No permita que los niños jueguen con el aparato. ¡Peligro de asfixia!

Los refrigeradores contienen refrigerantes y sus aislantes contienen gases. Los refrigerantes y los gases deben desecharse adecuadamente. Siga la normativa local de eliminación de residuos. Antes de la eliminación, asegúrese de que los conductos del circuito de refrigerante no estén dañados.

INSTRUCCIONES DE SEGURIDAD IMPORTANTES

¡LEA ESTAS INSTRUCCIONES Y CONSÉRVELAS!

Alcance del suministro

Tras desembalar todas las piezas, compruebe que no existan daños de transporte.

Si se detectan daños, no enchufe el aparato. Póngase en contacto con el distribuidor.

Artículos suministrados:

- Aparato independiente
- Accesorios interiores (según modelo)
- Bolsa de materiales de instalación
- Instrucciones de uso
- Instrucciones de instalación
- Tarjeta de registro
- Datos sobre consumo de energía y emisiones acústicas

Instalación del aparato

La instalación y conexión del aparato debe llevarla a cabo un técnico calificado de acuerdo a las instrucciones de instalación suministradas.



ADVERTENCIA

No instale el aparato:

- en exteriores,
- en entornos expuestos a salpicaduras de agua,
- en lugares sometidos a temperaturas de congelación.

Transporte

El aparato es muy pesado y, por lo tanto, debe asegurarlo durante el transporte y la instalación.

Las ruedas se suministran solo para fines de instalación.

No use las ruedas para transportar el aparato.



ADVERTENCIA

¡Riesgo de lesiones!

El aparato es muy pesado. Durante el transporte y la instalación, puede volcarse y provocar lesiones graves. Para instalar el aparato de manera segura se necesitan al menos dos personas. Mantenga cerradas las puertas del refrigerador hasta que el aparato se encuentre en posición vertical y correctamente nivelado en el lugar de instalación.

Las superficies ocultas pueden tener bordes afilados. Use guantes de protección durante el transporte. Tenga precaución al tocar la parte posterior o inferior del aparato.

Lugar de instalación



ADVERTENCIA

¡Riesgo de explosión!

No instale el aparato cerca de sustancias explosivas o inflamables.

Elija para la instalación un lugar seco y bien ventilado. El lugar de instalación no debe estar expuesto a la luz solar directa ni cerca de una fuente de calor como, p. ej., una hornilla o un radiador. Si no es posible instalar el aparato lejos de toda fuente de calor, use una placa aislante adecuada o mantenga las siguientes distancias mínimas respecto a la fuente de calor:

- 1 1/4" (3 cm) respecto a las estufas eléctricas o de gas.
- 11 3/16" (30 cm) respecto a las estufas de aceite o combustible sólido.

Para garantizar el funcionamiento correcto de la máquina de hielo, el aparato debe estar en posición vertical y bien nivelado.

Si se instala el refrigerador junto a otro refrigerador o congelador, debe dejarse un margen mínimo de 1" (25 mm) entre los dos aparatos para evitar las condensaciones.

Si se monta un tablero o una alacena por encima del aparato, deje un margen de 13/32" (10 mm) para permitir extraer el aparato del hueco en caso necesario.

No obstaculice la salida de aire caliente de la parte posterior del aparato.

Si se instala el aparato en una esquina o un hueco, deje suficiente espacio libre en las partes laterales para que las puertas puedan abrirse por completo (véase el apartado "Dimensiones del aparato y de instalación").

Si la profundidad del equipamiento de cocina adyacente es superior a 29^{1/8}" (75 cm), deje suficiente espacio libre en las partes laterales para poder aprovechar todo el ángulo de apertura de la puerta (véase el apartado "Ángulo de apertura de la puerta").

Clases climáticas

La clase climática se especifica en la placa de características. La clase climática indica el margen de temperatura ambiente dentro del que puede funcionar el aparato.

Clase climática	Temperatura ambiente permitida
SN	50 °F a 90 °F (+10 °C a 32 °C)
N	61 °F a 90 °F (+16 °C a 32 °C)
ST	61 °F a 100 °F (+16 °C a 38 °C)
T	61 °F a 110 °F (+16 °C a 43 °C)

Suelo

NOTA

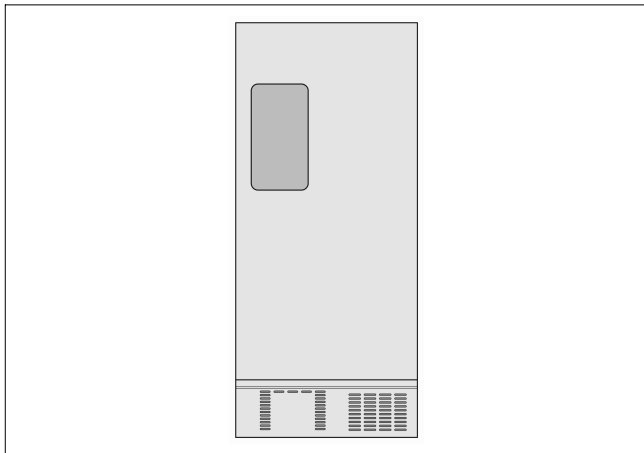
El aparato es muy pesado.
El suelo sobre el que se instale el aparato debe ser rígido. Refuércelo en caso necesario.

Peso del aparato vacío:

Modelo básico 324 lb (147 kg)

Ventilación

No cubra las ventilas del panel inferior delantero ni de la cubierta trasera.



De lo contrario, el aparato se verá forzado a trabajar con más potencia y consumirá más energía. Además, podría averiarse el compresor.

Instalación y conexión del aparato

Solicite a un técnico autorizado que instale y enchufe el aparato conforme a las instrucciones de instalación adjuntas.

No retire los dispositivos de protección de las estanterías y compartimentos de almacenamiento antes de que el aparato esté totalmente instalado y nivelado.

Conecte en primer lugar el suministro de agua y a continuación el suministro eléctrico.

Además de la normativa nacional vigente, se deberá respetar el reglamento y los códigos y requisitos aplicables de las compañías suministradoras de agua y electricidad.

Una vez instalado el aparato, espere al menos seis horas antes de ponerlo en marcha para que el circuito refrigerante funcione correctamente. El aceite del compresor puede haberse introducido en el sistema de refrigeración durante el transporte.

Antes de encender el aparato por primera vez, limpie el interior (vea la sección "Limpieza del aparato").

Si es necesario retirar las puertas del aparato para hacerlo pasar por los vanos de las puertas de la vivienda, encargue esta tarea a un técnico calificado.

Conexión de agua



ADVERTENCIA

¡Riesgo de descarga eléctrica y de daño del aparato!

Desconecte el aparato de su fuente de alimentación antes de proceder a realizar cualquier trabajo sobre la toma de agua.

Sólo un técnico de instalación cualificado puede conectar el aparato a la toma de agua conforme a la normativa vigente de fontanería y del servicio del agua.

Conecte el aparato a una línea de agua potable exclusivamente:

- Presión mínima: 14.5 psi (1.0 bar)
- Presión máxima: 116 psi (8.0 bar)

Si la presión del agua es superior a 80 psi (5.5 bar), instale una válvula limitadora de presión. En caso de duda acerca del modo de comprobar la presión del agua, contacte con un profesional de plomería. Si la presión del agua es inferior a 14.5 psi (1.0 bar) la máquina de hielo no funcionará.

Sólo un fontanero autorizado debe conectar el suministro de agua al aparato conforme a la normativa local del servicio de agua.

Se requiere una toma de agua fría para la máquina de hielo.

Se debe instalar una válvula de cierre separada a la línea de agua fría.

La válvula de cierre no debe ubicarse detrás del aparato. Se recomienda instalar la válvula de cierre directamente al lado del aparato o en otro lugar de fácil acceso.

Al instalar la conexión de agua, tenga en cuenta la zona de montaje permitida de la toma de agua.

Para la conexión de la toma de agua potable, utilice conductos exclusivos para agua potable. Respete la normativa vigente nacional y los requisitos de conexión de las compañías locales de suministro de agua.

Para mejorar el sabor y el olor del agua puede instalarse el cartucho de filtro que se incluye con el aparato. En tal caso, siga las instrucciones de conexión específicas para el filtro (véase "Filtro de agua").

La manguera de agua dispone de una conexión de 3/4".

Conexión eléctrica



ADVERTENCIA

¡Riesgo de descarga eléctrica o incendio en caso de instalación incorrecta de la conexión eléctrica!

Enchufe únicamente a una toma de corriente fija de 3 clavijas con conexión a tierra. La toma de corriente debe ser instalada y conectada a tierra por un electricista calificado de acuerdo a la normativa vigente. En caso necesario, un técnico calificado se encargará de inspeccionar la instalación para asegurarse de que esté correctamente conectada a tierra.

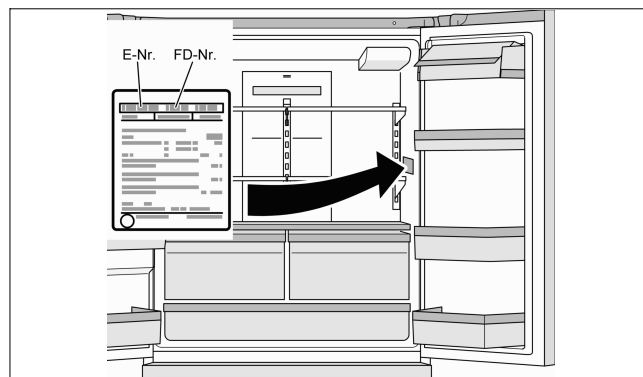
No use una extensión de cable ni un enchufe múltiple.

No conecte el aparato a enchufes electrónicos de ahorro de energía (como Ecoboy, Sava Plug, etc.) ni a inversores que convierten la corriente continua (DC) a corriente alterna (AC) (como los usados para equipos solares, generadores eléctricos a bordo de naves, etc.).

La toma de corriente debe encontrarse cerca del aparato y ser de fácil acceso, incluso después de la instalación.

Conecte el aparato a una toma de corriente de 115 V/60 Hz AC correctamente instalada. El fusible de la toma de corriente debe tener una capacidad nominal de 15 A o de 20 A.

Si se va a utilizar el aparato en un país que no sea EE. UU., compruebe la placa de características para determinar si el voltaje y el tipo de corriente especificados coinciden con los valores nominales de su red eléctrica local. Si el voltaje y el tipo de corriente no coinciden, no utilice el aparato. El cable de alimentación solo puede ser reemplazado por un electricista calificado.

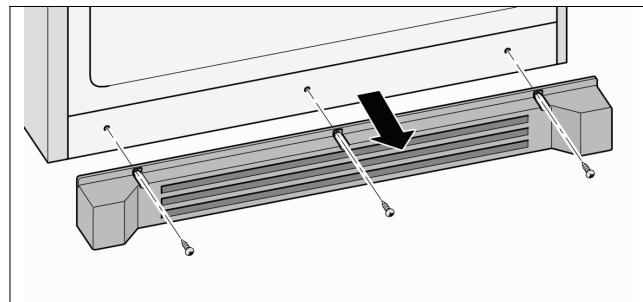


Alineación del aparato

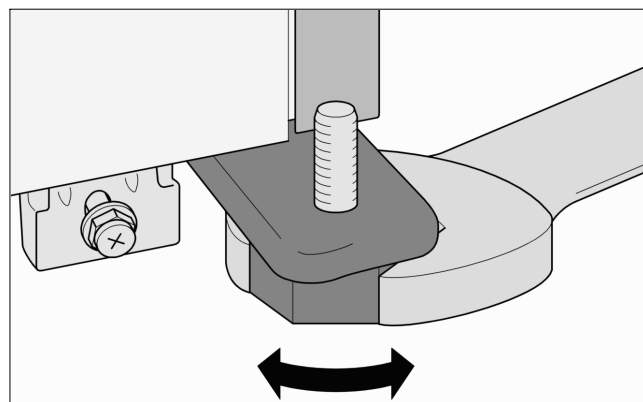
NOTA

Para asegurarse de que el aparato funcione correctamente, utilice un nivel para la alineación. Si el aparato no está nivelado horizontalmente, es posible que la máquina de hielo pierda agua, los cubitos de hielo sean irregulares o las puertas no cierren correctamente.

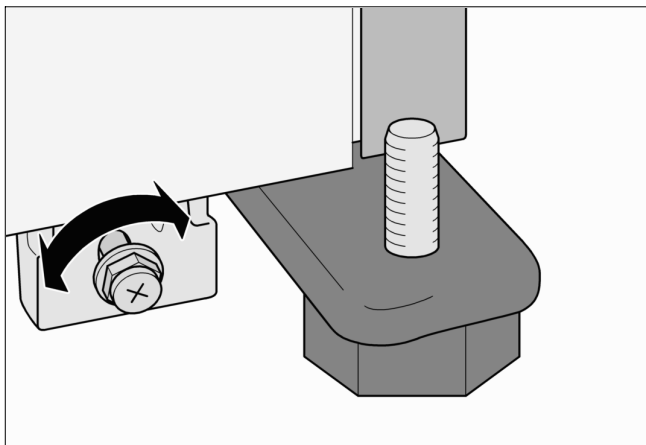
1. Coloque el aparato en la ubicación elegida.



2. Retire los tres tornillos del panel inferior.
3. Retire el panel inferior.



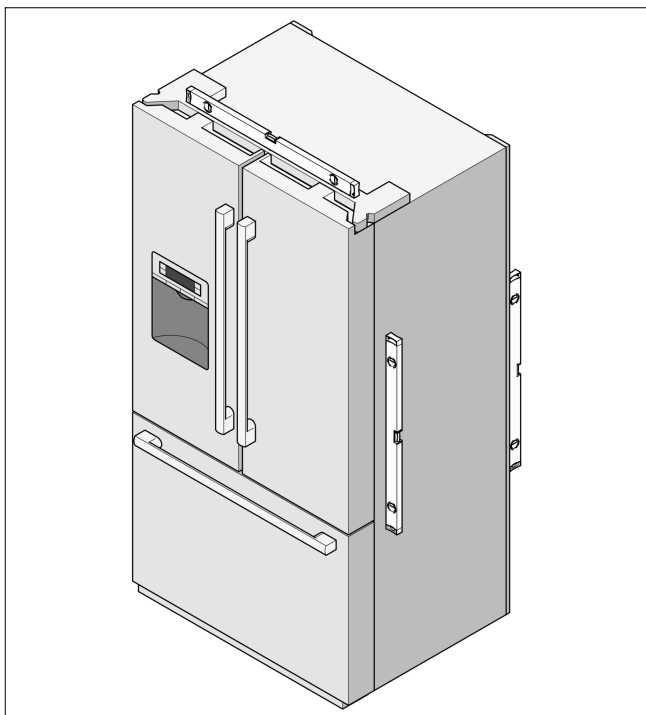
4. Use una llave de boca de 36 mm para aflojar las dos patas delanteras hasta que se apoyen firmemente sobre el suelo, y luego alinee la parte delantera del aparato.



5. Use una llave de boca para girar los tornillos, y luego alinee la parte trasera del aparato.

Para elevar la parte trasera del aparato:
Gire el tornillo en sentido horario.

Para bajar la parte trasera del aparato:
Gire el tornillo en sentido anti horario.



6. Utilice el nivel para comprobar que el aparato esté nivelado correctamente.

NOTA

A fin de que el aparato quede inmovilizado, las patas delanteras deben estar firmemente apoyadas en el suelo.

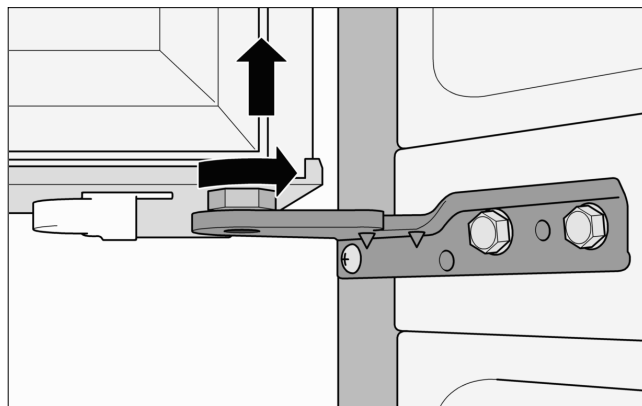
7. Si después de ajustar el nivel del aparato la altura de las puertas del compartimiento del refrigerador es desigual o el cajón del compartimiento del congelador se inclina, utilice el siguiente método para ajustarlos.

Ajuste de las puertas del refrigerador

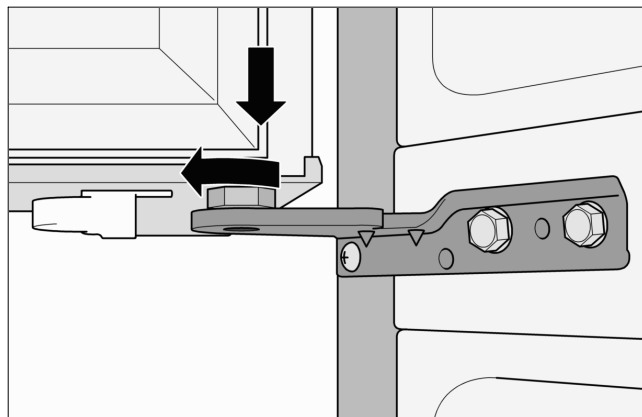
Si la altura de las puertas del refrigerador es desigual:

1. Determine cuál de las puertas del refrigerador debe elevarse.
2. Gire la tuerca de la bisagra inferior para ajustar la puerta del refrigerador.

Para elevar la puerta del refrigerador:
Gire el tornillo en sentido antihorario.



Para bajar la puerta del refrigerador:
Gire el tornillo en sentido horario.



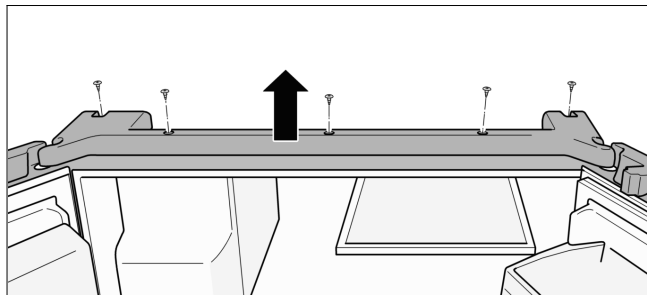
Si las puertas del refrigerador no están bien alineadas:

⚠ ADVERTENCIA

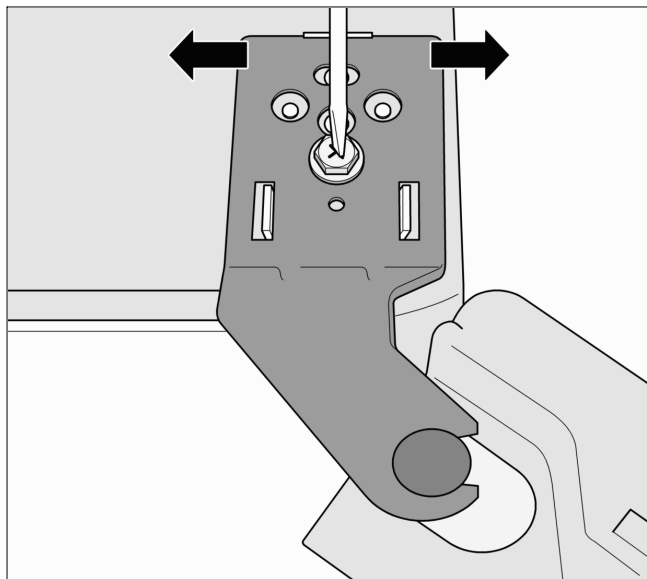
¡Riesgo de descarga eléctrica!
Antes de retirar el panel superior:

1. Corte el suministro de agua al aparato.
2. Desenchufe el aparato o desconecte el cortacircuitos (o fusible).

1. Determine cuál de las puertas del refrigerador debe ajustarse.
2. Retire los cinco tornillos del panel superior.
3. Alce el panel.



4. Afloje el tornillo.
¡No retire el tornillo!

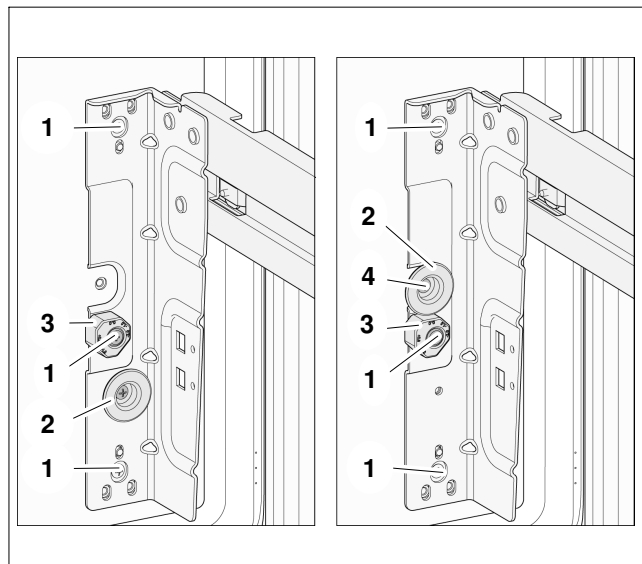


5. Deslice la bisagra lateralmente para ajustar la puerta del refrigerador.
6. Apriete el tornillo.
7. Realinee el panel.
8. Inserte y apriete los cinco tornillos.

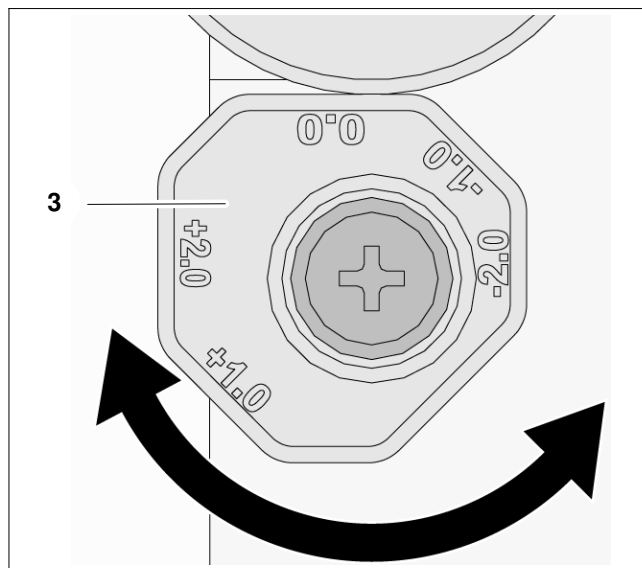
Ajuste el cajón del compartimiento del congelador

Si el cajón del congelador está más alto por un lado que por otro (desnivelado):

1. Afloje los tres tornillos laterales (1) del lado que sea necesario ajustar.
2. Deslice el tope (2) desde la posición de la imagen de la izquierda hasta la posición de la imagen de la derecha.



3. Ajuste la nivelación girando la perilla de posición (3). (Jale la perilla de posición y gírela)



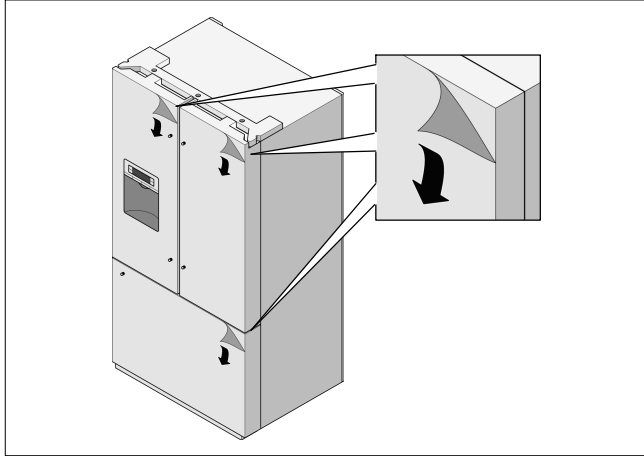
4. Tras ajustar la nivelación, apriete los cuatro tornillos laterales (1)+(4).

Instalación de las manijas

No instale las manijas hasta que el aparato esté instalado en la ubicación elegida y bien nivelado.

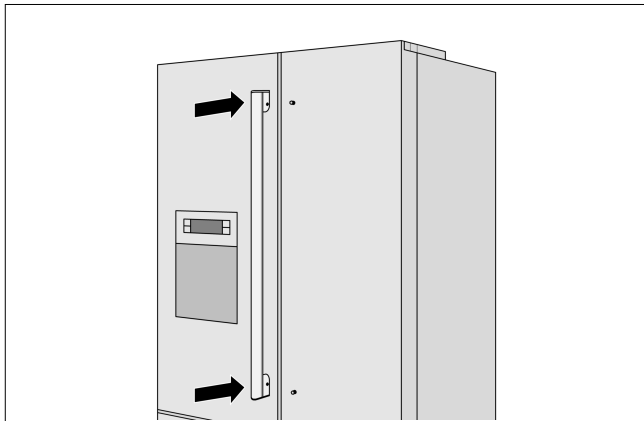
Todas las manijas son iguales y se instalan de la misma manera.

1. Retire las películas protectoras de las puertas del refrigerador y el cajón del compartimiento del congelador.

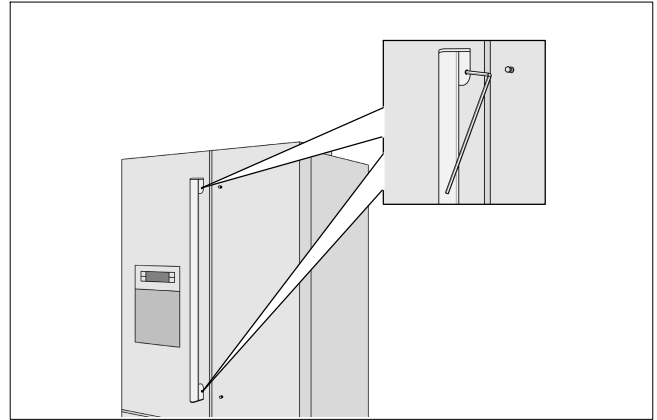


2. Inserte las manijas de las puertas en las guías.

- Puertas del refrigerador: Los tornillos de las manijas deben estar orientados hacia el centro del aparato.
- Cajón del compartimiento del congelador: Los tornillos de las manijas deben estar orientados hacia abajo.

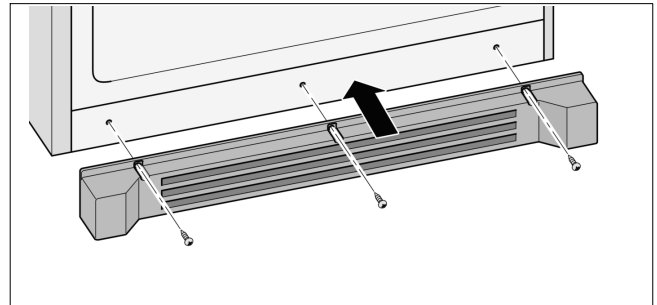


3. Apriete los tornillos de las manijas con la llave Allen adjunta.

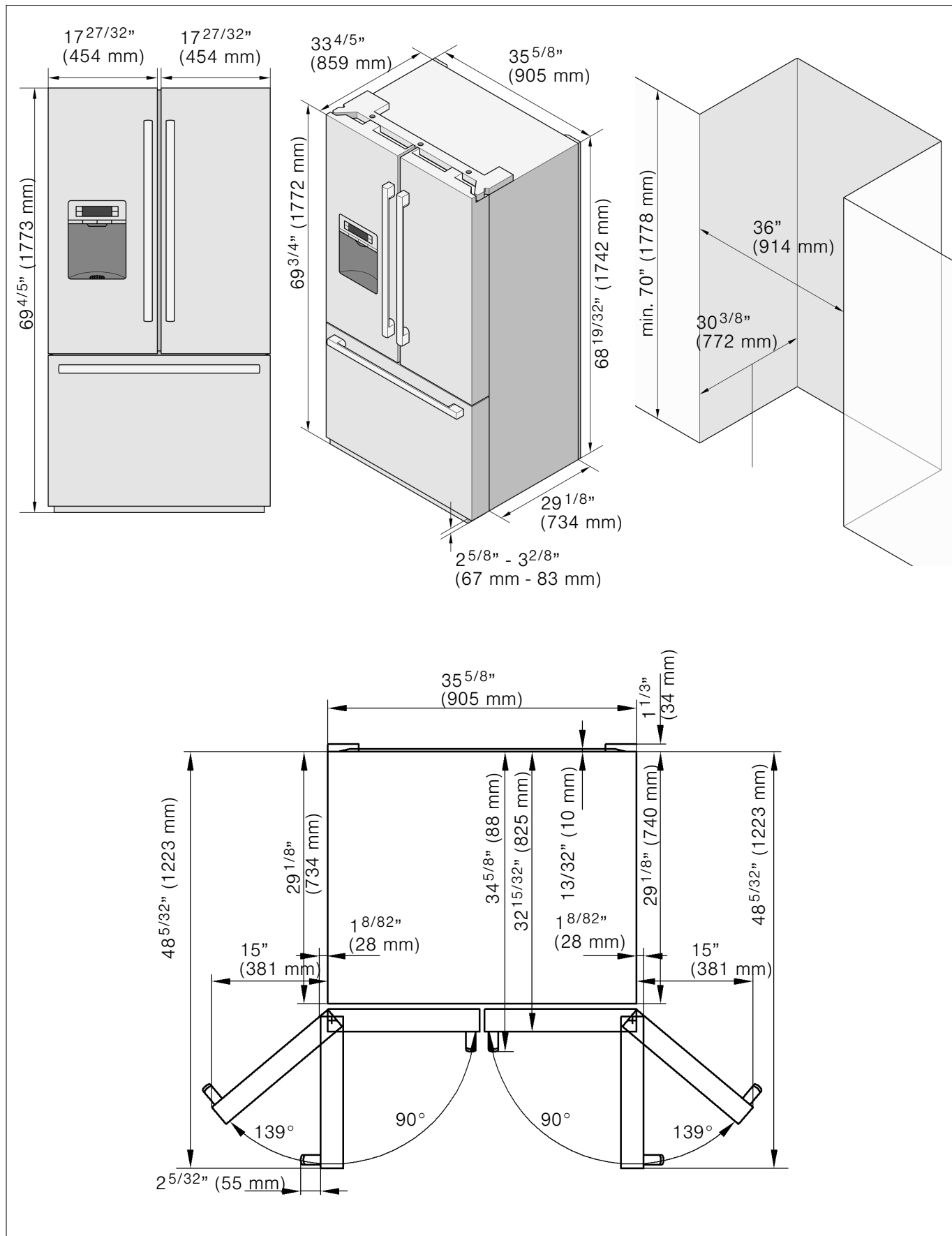


Instalación de la placa de base

1. Retire los tres tornillos del aparato.
2. Monte la placa de base.
3. Inserte los tres tornillos y apriételos.

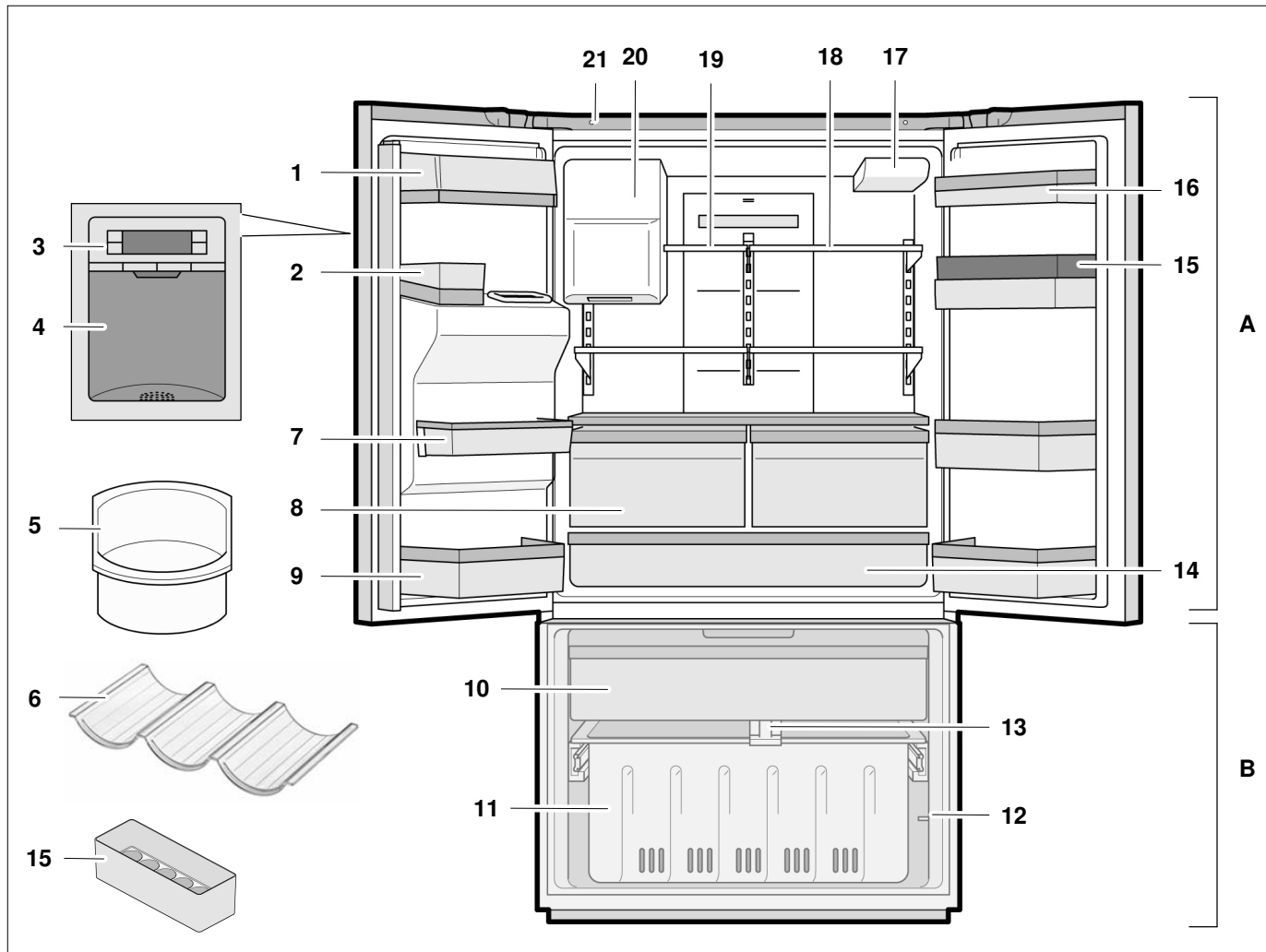


Dimensiones del aparato y de instalación



Conozca mejor su aparato

Estas instrucciones de uso e instalación son válidas para diversos modelos. Las ilustraciones pueden no coincidir con el modelo adquirido por usted.



A Compartimento del refrigerador que puede configurarse entre 33 °F (+1 °C) y 45 °F (+7 °C)

B Compartimento del congelador que puede configurarse entre 5 °F (-15 °C) y -7 °F (-22 °C)

- 1 Compartimento para mantequilla y queso
- 2 Contenedor de latas
- 3 Panel de visualización y control
- 4 Dispensador de hielo y agua
- 5 Contenedor de hielo
- 6 Botellero (B26FT8...)
- 7 Contenedor de la puerta

- 8 Compartimento VitaFresh Pro con luz LED (B26FT8...)
- 9 Contenedor extraíble de la puerta
- 10 Cajón superior del congelador
- 11 Cajón inferior del congelador
- 12 Interruptor de luz del compartimento del congelador
- 13 Separador de compartimento del congelador
- 14 Cajón para fiambres con luz LED (no incluido en todos los modelos)
- 15 Huevera
- 16 Contenedor de la puerta
- 17 Filtro de agua
- 18 Estante ajustable de vidrio
- 19 Estante pequeño de vidrio
- 20 Máquina de hielo/contenedor de cubitos
- 21 Interruptor de luz del compartimento del refrigerador

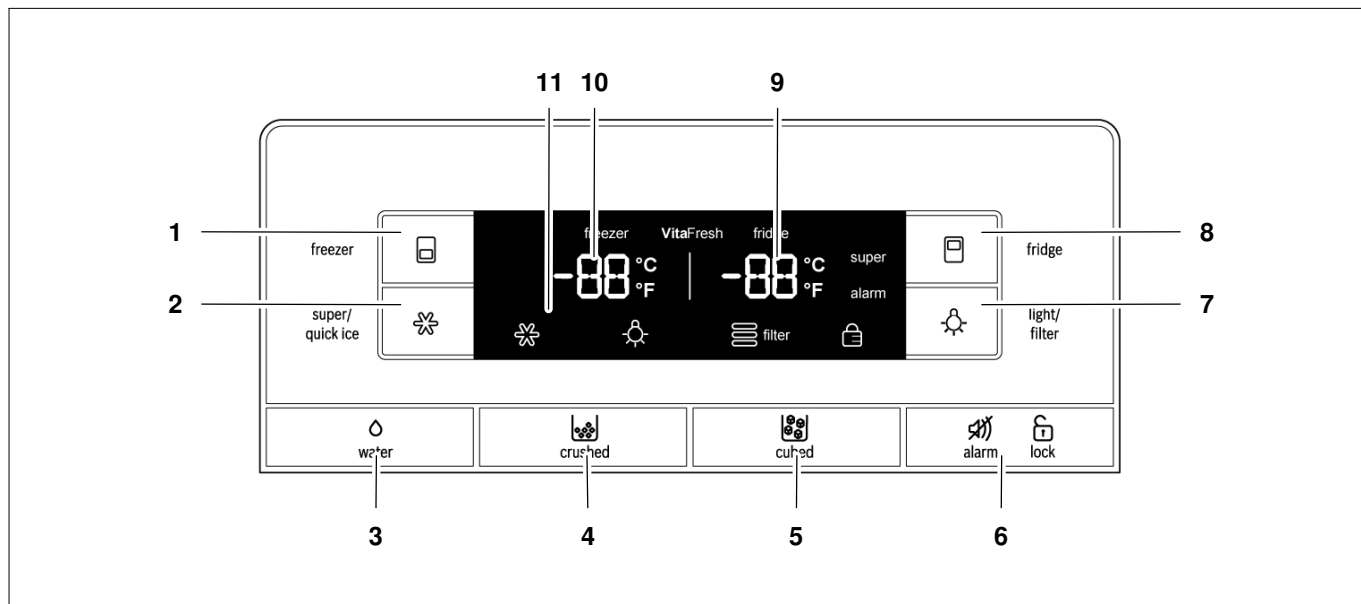
Panel de visualización y control

El panel de visualización y control de la puerta izquierda del refrigerador incluye un teclado táctil.

Toque el teclado para activar la función correspondiente.

La luz del panel de visualización y control se apaga al transcurrir aprox. 1 min sin que se toque el teclado.

La ilustración puede no coincidir con el modelo adquirido por usted.



1 Botón "freezer" (congelador)

Botón para

- establecer la temperatura del compartimiento del congelador
- activar y desactivar la función "super freeze" (super congelación).

2 Botón "super/quick ice" (hielo rápido/super)

Botón para activar y desactivar la producción rápida de hielo.

3 Botón del dispensador de agua

4 Botón del dispensador de hielo picado

5 Botón del dispensador de cubitos de hielo

6 Botón "alarm/lock" (alarma/bloqueo)

Botón para

- desactivar la señal de advertencia
- activar y desactivar el bloqueo del panel.

7 Botón "light/filter" (luz/filtro)

Botón para

- activar y desactivar la luz del dispensador de hielo y agua
- reiniciar el indicador del filtro.

8 Botón "fridge" (refrigerador)

Botón para

- establecer la temperatura del compartimiento del refrigerador
- activar y desactivar la función "super cool" (super enfriamiento).

9 Visualizador de temperatura del compartimiento del refrigerador

Muestra la configuración de temperatura del compartimiento del refrigerador.

10 Visualizador de temperatura del compartimiento del congelador

Muestra la configuración de temperatura del compartimiento del congelador.

11 Símbolos del panel de visualización



"Hielo rápido"

Aparece cuando está activada la función "hielo rápido".



"Luz"

Aparece cuando está encendida la luz del dispensador de hielo y agua.



"Filtro de agua"

Muestra el estado del cartucho de filtro.



"Bloqueo del panel"

Aparece cuando el bloqueo del panel está activado.

Consejos de uso

Apertura y cierre de las puertas del compartimiento del refrigerador

Las puertas del compartimiento del refrigerador se pueden abrir y cerrar de forma independiente.

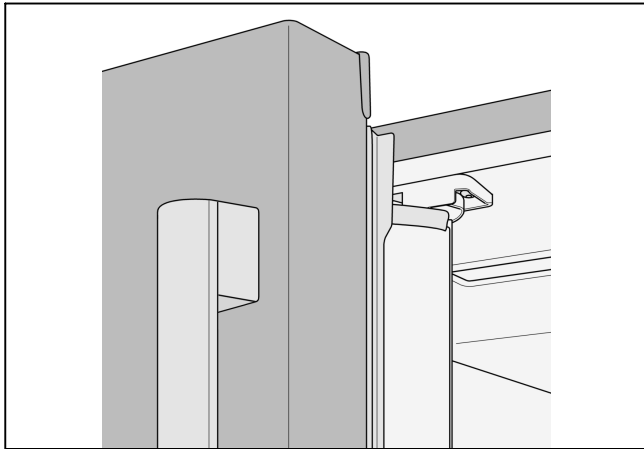
La puerta izquierda del compartimiento del refrigerador está dotada de una barra retraible.

NOTA

¡Riesgo de daños al aparato!

La barra de la puerta puede dañarse si se intenta cerrar la puerta izquierda del compartimiento del refrigerador cuando la barra no está retraída.

Antes de cerrar las puertas del compartimiento del refrigerador, compruebe que la barra de la puerta esté retraída en ángulo recto respecto de la puerta.



Al cerrar la puerta del compartimiento del refrigerador, la barra de la puerta queda retraída detrás de la puerta derecha del compartimiento del refrigerador y sella el espacio entre ambas puertas.

Encendido del aparato

NOTA

Tras instalar el aparato, espere al menos 8 horas antes de enchufarlo. Es posible que el aceite del compresor haya ingresado en el sistema de refrigeración durante el transporte.

Conecte el enchufe del aparato en la toma de corriente.

Una vez enchufado el aparato, se inicia el proceso de refrigeración. La luz interior del compartimiento del refrigerador se enciende al abrir la puerta.

Pasarán varias horas antes de que el interior del aparato alcance las temperaturas configuradas de fábrica. No guarde alimentos dentro del aparato hasta que se alcancen dichas temperaturas.

Temperatura inicial

Compartimiento del refrigerador: 39 °F (+4 °C)

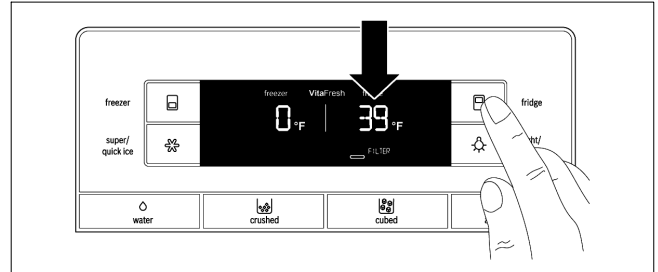
Compartimiento del congelador: 0 °F (-18 °C).

Configuración de la temperatura

Compartimiento del refrigerador

La temperatura puede establecerse entre 33 °F (+1 °C) y 45 °F (+7 °C).

Pulse el botón "fridge" (refrigerador) hasta que quede establecida la temperatura deseada del compartimiento del refrigerador.



El valor de temperatura más reciente se almacenará.

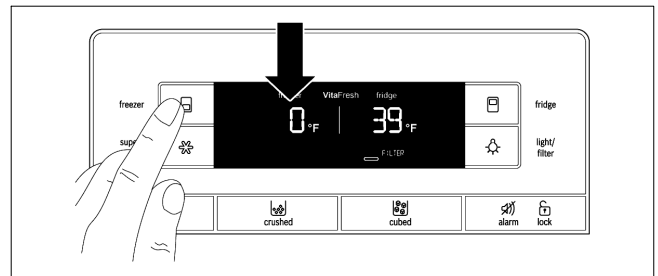
Recomendamos una configuración de 39 °F (+4 °C).

Los alimentos perecederos no deben almacenarse a temperaturas superiores a 39 °F (+4 °C).

Compartimiento del congelador

La temperatura puede configurarse entre 5 °F (-15 °C) y -7 °F (-22 °C).

Pulse el botón "freezer" (congelador) hasta que quede establecida la temperatura deseada del compartimiento del congelador.



El valor de temperatura más reciente se almacenará.

Recomendamos una configuración de 0 °F (-18 °C).

Función de alarma

El aparato emite dos señales de advertencia distintas. Cuando se activa la alarma de temperatura, suena una señal acústica continua. Cuando se activa la alarma de la puerta, suena una señal acústica 6 veces por minuto.

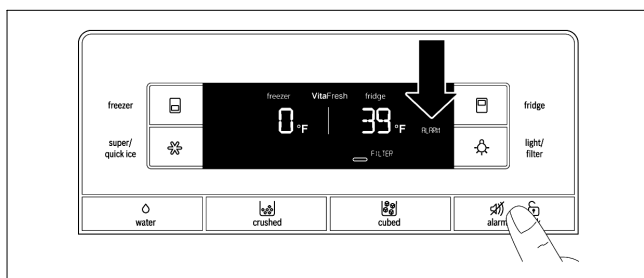
Compartimiento del refrigerador

La palabra "alarm" aparecerá en la parte derecha del panel de visualización.

Para desactivar la señal de advertencia:

Pulse "alarm/lock" (alarma/bloqueo) o cierre las puertas del compartimiento del refrigerador.

La palabra "alarm" parpadeará en el panel de visualización hasta que la temperatura se aproxime al valor establecido.



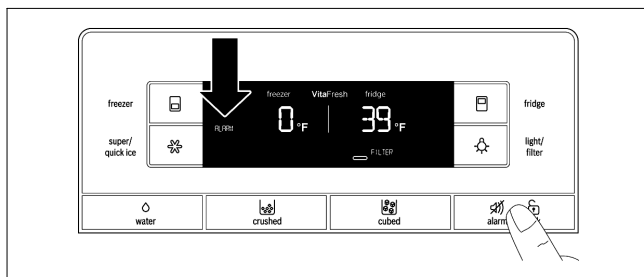
Compartimiento del congelador

La palabra "alarm" aparecerá en la parte izquierda del panel de visualización.

Para desactivar la señal de advertencia:

Pulse "alarm/lock" (alarma/bloqueo) o cierre el cajón del compartimiento del congelador.

La palabra "alarm" parpadeará en el panel de visualización hasta que la temperatura se aproxime al valor establecido.



Bloqueo del panel

Cuando el bloqueo del panel está activado, todos los botones del panel de visualización y control están bloqueados.

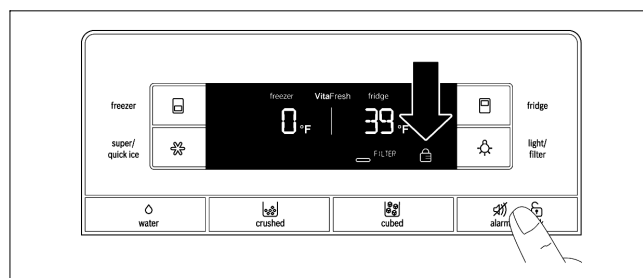
NOTA

Cuando el bloqueo del panel está activado, pulse el botón "alarm/lock" (alarma/bloqueo) para desactivar la señal de advertencia.

Para activar y desactivar el bloqueo del panel:

Pulse "alarm/lock" (alarma/bloqueo) durante 2 segundos.

Cuando se activa el bloqueo del panel, aparece el símbolo de "Bloqueo del panel".



Super enfriamiento

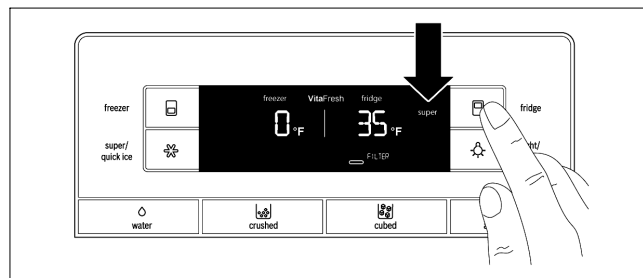
El super enfriamiento reduce la temperatura del compartimiento del refrigerador hasta el mínimo posible durante aproximadamente 6 horas. Después, se restablece automáticamente la temperatura a 39 °F (+4 °C).

El super enfriamiento es especialmente recomendable en los siguientes casos:

- Antes de colocar grandes cantidades de alimentos en el compartimiento del refrigerador.
- Cuando se desea enfriar bebidas rápidamente.

Para activar el super enfriamiento:

Pulse "fridge" (refrigerador) hasta que aparezca "super" en la parte derecha del panel de visualización.



Para desactivar el super enfriamiento:

Pulse "fridge" (refrigerador).

La palabra "super" desaparecerá del panel de visualización. La temperatura volverá automáticamente al valor establecido anteriormente.

Super congelación

La congelación de alimentos se debe realizar con la mayor rapidez posible a fin de conservar sus vitaminas, valores nutricionales, aspecto y sabor.

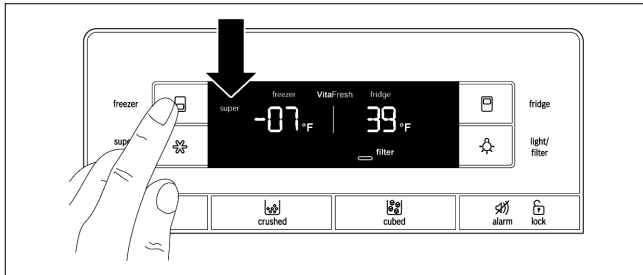
Para evitar un aumento no deseado de la temperatura al introducir alimentos frescos en el compartimiento del congelador, active la super congelación con varias horas de antelación.

Por lo general, es suficiente con entre 4 y 6 horas. Deje pasar un mínimo de 24 horas si planea utilizar la capacidad máxima de congelación.

Con volúmenes más pequeños de alimentos no es necesaria la super congelación.

Para activar la super congelación:

Pulse "freezer" (congelador) hasta que aparezca "super" en la parte izquierda del panel de visualización.



Para desactivar la super congelación:

Pulse "freezer" (congelador).

La palabra "super" desaparecerá del panel de visualización. La temperatura volverá automáticamente al valor establecido anteriormente.

NOTA

La super congelación se desactiva automáticamente después de aproximadamente 2 días.

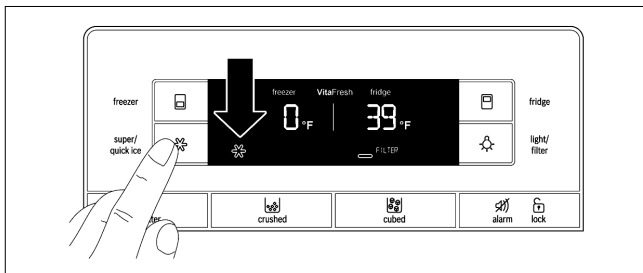
Hielo rápido

Esta función permite acelerar la producción de cubitos de hielo de manera temporal.

Para activar el hielo rápido:

Pulse "super/quick ice" (hielo rápido/super).

Aparecerá en el panel de visualización el símbolo de "hielo rápido".



Cuando el contenedor de cubitos está lleno, la producción rápida de hielo se detiene automáticamente después de unas horas.

NOTA

Cuando está activado el hielo rápido, la potencia del aparato se incrementa temporalmente. Esto aumenta el consumo de energía.

Símbolo de filtro de agua

Este símbolo indica el periodo de uso del cartucho de filtro.



Hasta dos meses.



Hasta cuatro meses.



Hasta seis meses.

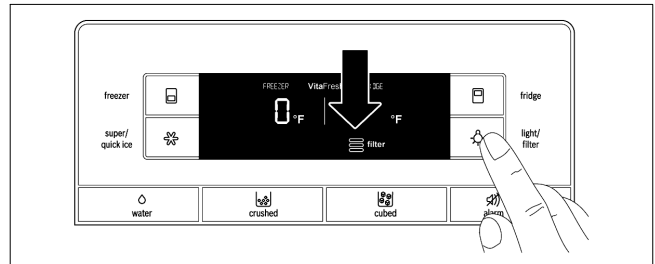


Pasados seis meses, el símbolo empieza a parpadear. Sustituya el cartucho de filtro.

Cuando se apaga el aparato, se reinicia el símbolo del filtro de agua.

Para reiniciar el símbolo del filtro de agua después de sustituir el cartucho de filtro:

Mantenga pulsado el botón "light/filter" (luz/filtro) durante 3 segundos.



El símbolo dejará de parpadear.

Unidad de temperatura

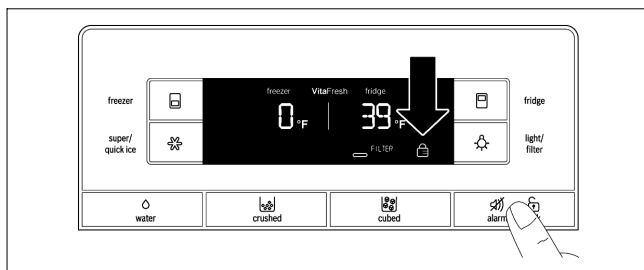
La temperatura puede mostrarse en las escalas Fahrenheit (°F) o Celsius (°C).

Cuando se enciende el aparato, la temperatura se muestra en la escala Fahrenheit (°F).

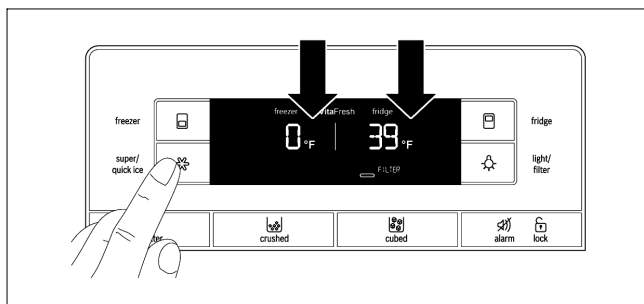
Para establecer las unidades de temperatura:

Pulse "alarm/lock" (alarma/bloqueo) durante 2 segundos.

Aparecerá el símbolo de "Bloqueo del panel".



Mantenga pulsado "super/quick ice" (hielo rápido/super) durante 15 segundos hasta que cambie la unidad de temperatura.



Compartimiento del refrigerador



ADVERTENCIA

¡Riesgo de explosión!

No almacene en el aparato productos que contengan propelentes inflamables (p. ej., aerosoles) ni sustancias explosivas o de combustión fácil.

Las botellas con un alto contenido de alcohol deben cerrarse herméticamente y almacenarse en posición vertical.

Uso del compartimiento del refrigerador

Para el almacenamiento de alimentos preparados, pasteles y repostería, comida enlatada, leche condensada, queso, cremas, salsas, dips y huevos.

Cuando almacene alimentos, siga estas indicaciones:

- Deje que los alimentos y bebidas calientes se enfríen fuera del aparato.
- Coloque los alimentos en contenedores herméticos para evitar que pierdan sabor o se sequen.
- Para evitar una mala circulación del aire en el interior del aparato, no deje que los alimentos bloqueen las ventilas.
- Evite el contacto de aceites o grasas con las piezas de plástico y los sellos de la puerta.

Compartimiento VitaFresh Pro

(no incluido en todos los modelos)

La temperatura dentro del compartimiento VitaFresh Pro se mantiene a casi 32 °F (0 °C). La baja temperatura proporciona condiciones óptimas de almacenamiento para los alimentos perecederos.

Los alimentos pueden almacenarse en el compartimiento VitaFresh Pro durante mucho más tiempo que en el compartimiento del refrigerador normal sin perder su frescura.

El compartimiento VitaFresh Pro está cubierto por un filtro especial para humedad. El filtro especial para humedad mantiene un nivel idóneo de humedad dentro del compartimiento VitaFresh Pro.

Dependiendo de lo lleno que se encuentre el compartimiento VitaFresh Pro, la humedad puede alcanzar hasta un 90 %, lo cual es idóneo para todos los productos de huerta y sembradío, como verduras, lechugas, hierbas y frutas.

VitaFresh Pro es adecuado para:

Prácticamente cualquier alimento fresco que se desee conservar fresco durante más tiempo, como carnes y productos cárnicos, pescados frescos, mariscos, leche, mantequilla, quesos tiernos, quesos frescos y ciertos tipos de frutas y verduras.

VitaFresh Pro no es adecuado para:

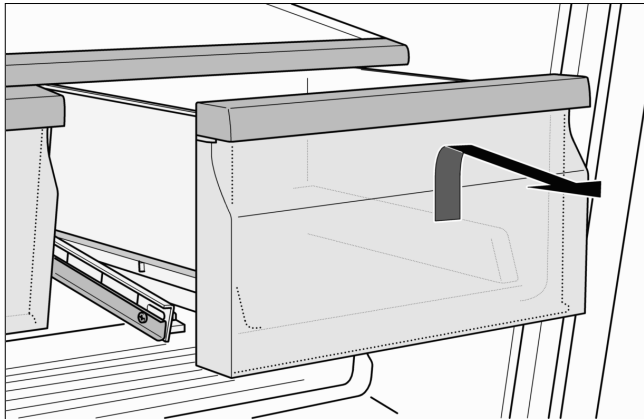
Frutas y verduras sensibles al frío, como frutas tropicales, aguacates, papayas, frutas de la pasión, berenjenas, pepinos, pimientos y todas las frutas que deban madurar, así como los jitomates verdes y las papas.

Al comprar alimentos, tenga en cuenta:

El grado de frescura de los alimentos en el momento de la compra es decisivo para su conservación. En general, cuanto más frescos estén los productos almacenados en los compartimientos VitaFresh, más tiempo se mantendrán frescos. Compruebe siempre la frescura de los alimentos en el momento de adquirirlos.

Extraer los cajones VitaFresh Pro

1. Jale hacia afuera los cajones VitaFresh Pro tanto como sea posible.
2. Levante el frente de los cajones VitaFresh Pro y jálelos hacia afuera.



3. Insertar los cajones VitaFresh Pro: Inserte los cajones VitaFresh Pro en el riel y empuje hacia la parte trasera.

Cajón para fiambres

(no incluido en todos los modelos)

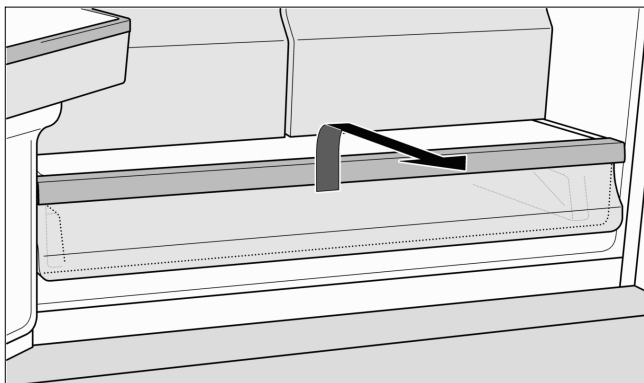
La temperatura en el cajón para fiambres se mantiene constante justo por debajo del punto de congelación. Esto garantiza unas condiciones idóneas de almacenamiento para carnes y productos cárnicos, pescados, mariscos, productos lácteos y quesos duros o tiernos.

NOTA

Nunca almacene alimentos sensibles al frío en el cajón para fiambres.

Retirar el cajón para fiambres

1. Jale el cajón para fiambres hacia afuera tanto como sea posible.
2. Levante el frente del cajón para fiambres y jálelo hacia afuera.

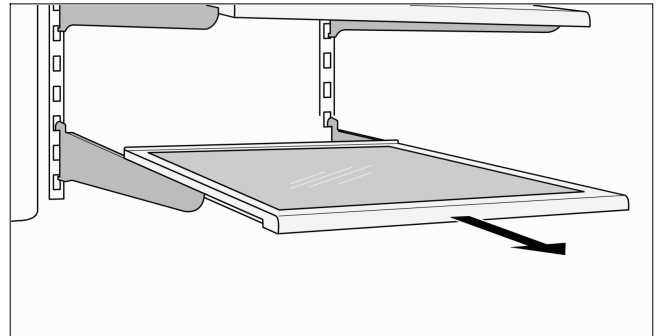


3. Insertar el cajón: Inserte el cajón para fiambres en el riel y empujelo hacia la parte trasera.

Diseño interior variable

Estantes de vidrio

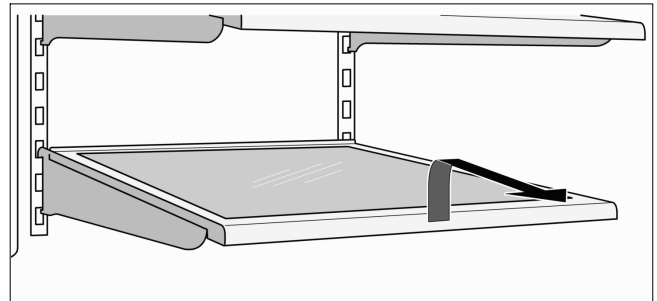
Los estantes ajustables de vidrio se pueden extraer.



Es posible jalar hacia afuera los estantes ajustables de vidrio y colocarlos a distintas alturas.

Retirar un estante de vidrio

Levante el estante y jálelo hacia afuera. Desenganche el estante y luego extráigalo.

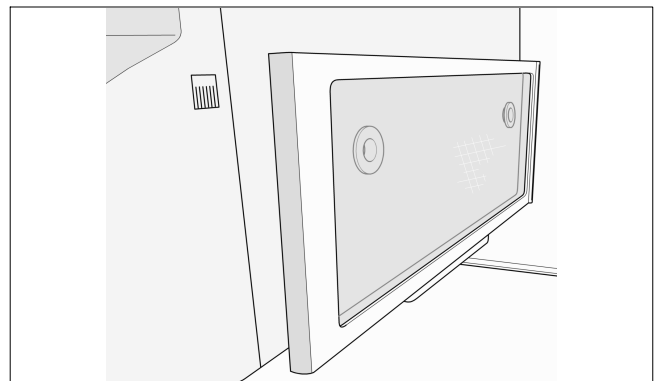


Instalar el estante de vidrio

Levante el frente del estante e inserte los ganchos en las aberturas a la altura deseada. Baje el frente del estante.

Estante parcial

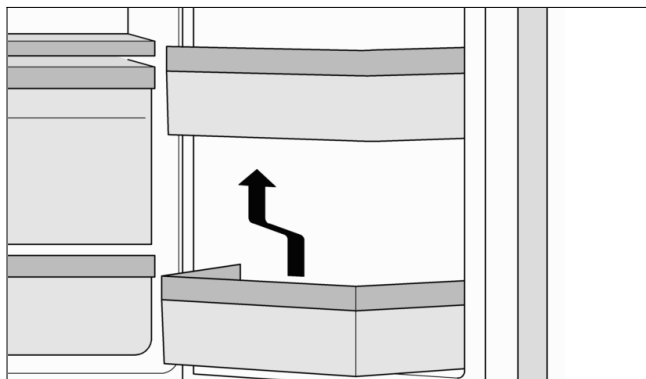
El estante de vidrio puede extraerse y colocarse en el soporte situado debajo de la máquina de hielo. Así se gana espacio para colocar objetos más altos (p. ej., botellas) junto a la máquina de hielo.



Contenedores de la puerta

Para retirar los contenedores de la puerta:

Levante el contenedor de la puerta y extráigalo.

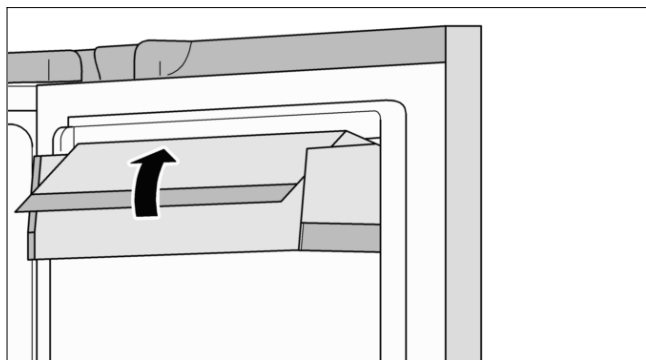


Para instalar los contenedores de la puerta:

Coloque el contenedor de la puerta encima del soporte a la altura deseada y empuje hacia abajo.

Compartimiento para mantequilla y queso

Levante la tapa del compartimiento para mantequilla y queso.



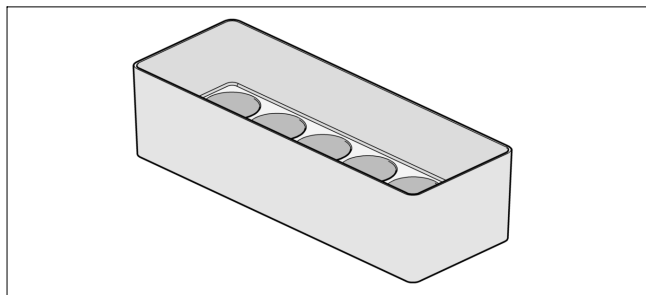
Para extraer la tapa del compartimiento para mantequilla y queso:

Levante el compartimiento y extráigalo.

Para instalar la tapa del compartimiento para mantequilla y queso:

Coloque el compartimiento encima del soporte a la altura deseada y empuje hacia abajo.

Huevera



Compartimiento del congelador



ADVERTENCIA

¡Riesgo de explosión!

No almacene en el aparato productos que contengan propelentes inflamables (p. ej., aerosoles) ni sustancias explosivas o de combustión fácil.

NOTA

Mantenga el compartimiento del congelador cerrado en todo momento. Si el cajón está abierto, los alimentos congelados se descongelarán. El compartimiento del congelador se cubrirá de una capa de hielo grueso. Además, se perderá energía debido al aumento del consumo eléctrico.

Al cerrarse la puerta del compartimiento del congelador, se produce una caída de presión en el interior del compartimiento.

Si no se puede abrir la puerta del compartimiento del congelador al primer intento, espere dos o tres minutos hasta que la presión se haya estabilizado.

Use el compartimiento del congelador para

- almacenar productos ultracongelados
- congelar alimentos
- producir y almacenar cubitos de hielo.

Congelar alimentos

Congele únicamente productos frescos y en perfecto estado. Separe los alimentos que van a congelarse de los ya congelados. Coloque los alimentos en contenedores herméticos para evitar que pierdan sabor o se sequen.

Cómo envolver correctamente los alimentos:

1. Coloque el alimento en el empaque.
2. Extraiga todo el aire.
3. Cierre el empaque herméticamente.
4. Rotule el empaque indicando su contenido y la fecha.

Artículos no adecuados para envolver alimentos:

Papel de envolver, papel encerado, celofán, bolsas de basura y bolsas de compra usadas.

Artículos adecuados para envolver alimentos:

Película de plástico, película de polietileno extruido, papel de aluminio y latas aptas para congelación. Estos productos pueden adquirirse en su establecimiento habitual.

Artículos adecuados para cerrar herméticamente alimentos empaquetados:

Cintas de hule, clips de plástico, cordones, cinta adhesiva resistente al frío o artículos similares. Las bolsas y el film de polietileno extruido pueden cerrarse herméticamente usando un sellador de película.

Duración de almacenamiento de los alimentos congelados

La duración de almacenamiento varía según el tipo de alimento. Con una configuración de temperatura de 0 °F (-18 °C):

- Pescados, embutidos, alimentos preparados, pasteles y repostería:
hasta 6 meses
- Quesos, aves y carnes:
hasta 8 meses
- Frutas y verduras:
hasta 12 meses.

Adquisición y almacenado de alimentos ultracongelados

Cuando compre alimentos ultracongelados, siga estas indicaciones:

- Compruebe que el envoltorio no esté dañado.
- Compruebe la fecha de caducidad.
- La temperatura del congelador del supermercado debe estar por debajo de 0 °F (-18 °C). Si no es así, se acortará la duración de almacenamiento de los alimentos ultracongelados.
- Durante la compra, espere hasta el último momento para sacar los alimentos ultracongelados del congelador. Envuélvalos en papel periódico o guárdelos en una bolsa de congelación para llevárselos a casa.
- Una vez en casa, meta los alimentos ultracongelados inmediatamente en el compartimiento del congelador. Consuma los alimentos ultracongelados antes de la fecha de caducidad.

Descongelamiento de alimentos congelados



ATENCIÓN

¡Riesgo de intoxicación!

No vuelva a congelar los alimentos ya descongelados o que hayan empezado a descongelarse. Los alimentos no pueden volver a congelarse hasta que estén cocinados (hervidos o fritos). Consuma estos productos recongelados antes de agotarse el periodo máximo de almacenamiento.

Dependiendo del tipo de alimento y su utilización prevista, los alimentos pueden descongelarse del modo siguiente:

- a temperatura ambiente
- en el refrigerador
- en un horno eléctrico con o sin aire caliente asistido por ventilador
- en el microondas.

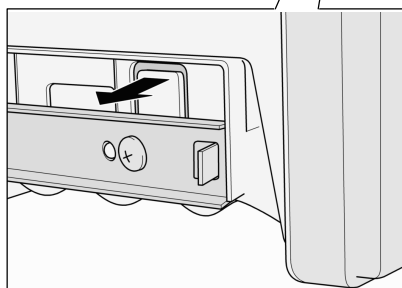
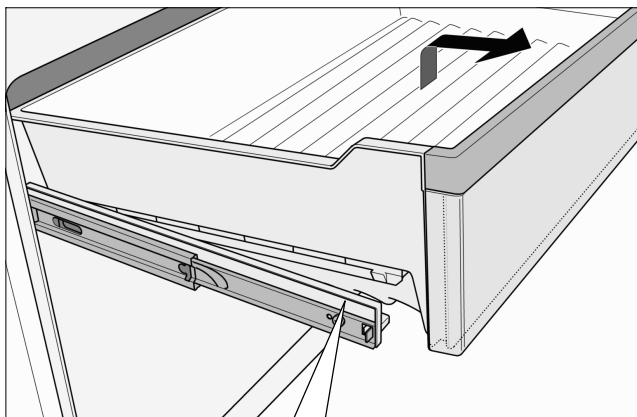
Características del compartimiento del congelador

Cajón superior del congelador

El cajón del congelador se puede retirar.

Para retirar el cajón superior del congelador:

1. Jale el cajón superior del congelador hacia afuera tanto como sea posible.
2. Jale con cuidado los pasadores de ambos lados y levante el frente del cajón del congelador.
3. Extraiga el cajón del congelador.

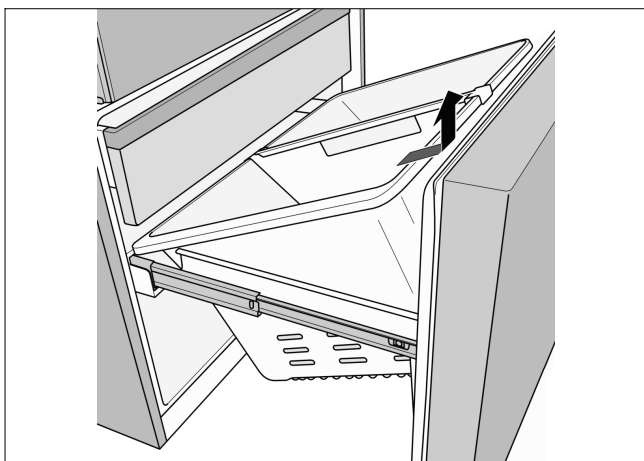


Cajón inferior del congelador

El cajón del congelador se puede retirar.

Para retirar el cajón inferior del congelador:

Levante el cajón del congelador jalando hacia afuera.



Dispensador de hielo y agua

El aparato dispensa los siguientes productos:

- agua refrigerada,
- hielo picado,
- cubitos de hielo.



ADVERTENCIA

¡Riesgo de lesiones por vidrios rotos!

No use recipientes de vidrio frágiles para recoger el hielo dispensado.



ADVERTENCIA

¡Riesgo de lesiones por contacto con las aspas del picador de hielo en rotación!

No introduzca la mano en la abertura del dispensador de cubitos de hielo.

NOTA

¡Riesgo de daños al aparato!

No coloque botellas ni alimentos en el contenedor de cubitos de hielo para enfriarlos rápidamente. La máquina de hielo podría bloquearse y dañarse.

Quando encienda el aparato, tenga en cuenta lo siguiente:

El dispensador de hielo y agua solo funciona si el aparato está conectado a la red de suministro de agua.

Después de encender el aparato, pasarán 24 horas antes de que esté listo el primer lote de cubitos de hielo.

Al momento de conectar el aparato, seguirán habiendo burbujas de aire en los tubos. Extraiga el agua potable y deséchela hasta que salga sin burbujas. Deseche los cinco primeros vasos de agua.

Cuando use la máquina de hielo por primera vez, deseche los 30 o 40 primeros cubitos de hielo. Por motivos higiénicos, no use estos cubitos de hielo.

Manejo de la máquina de hielo

Una vez que el compartimiento del congelador alcanza la temperatura de congelación, el agua fluye hacia el interior de la máquina de hielo y se congela para formar cubitos. Los cubitos de hielo se descargan automáticamente en el contenedor de cubitos cuando están listos.

En ocasiones, los cubitos quedan adheridos entre sí por los costados. Normalmente se separan al desplazarse hacia la abertura del dispensador.

La producción de hielo se interrumpe automáticamente cuando el contenedor de cubitos está lleno.

La máquina de hielo permite hacer aproximadamente 100 cubitos de hielo en un término de 24 horas si, durante el día, se descargan los cubitos de hielo varias veces.

Durante la producción de cubitos de hielo se puede oír el zumbido de la válvula de agua, el flujo del agua hacia el contenedor de almacenamiento y la caída de los cubitos.

Calidad del agua potable



ATENCIÓN

El filtro de agua incluido con el aparato únicamente filtra las partículas contenidas en el agua suministrada, no elimina bacterias ni microbios.

Todos los materiales usados en el dispensador de agua son inodoros e insípidos.

Si el agua tiene un sabor extraño, esto puede deberse a:

- Presencia de minerales y cloro en el agua potable
- El material del que están hechos la tubería de agua doméstica o la conexión de suministro
- Frescura del agua potable. Si no se ha dispensado agua durante un periodo prolongado, el agua puede tener un sabor "rancio". En tal caso, dispense aprox. 15 vasos de agua y deséchelos.

Para mejorar el sabor y el olor del agua, el cartucho de filtro incluido puede instalarse en el punto de entrada del agua.

Dispensar agua

1. Sostenga un recipiente adecuado debajo del dispensador de hielo y agua.
2. Mantenga pulsado el botón del dispensador de agua y suéltelo cuando el recipiente contenga el volumen de agua deseado.



Consejo:

El agua del dispensador de agua se enfría hasta una temperatura moderada. Si se desea agua más fría, pueden ponerse cubitos de hielo en el vaso antes de dispensar el agua.

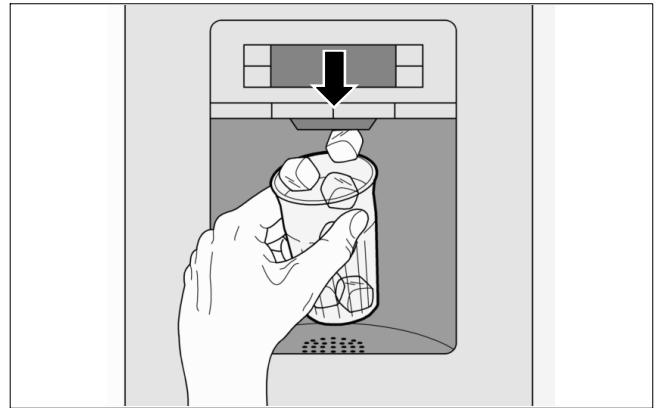
Dispensar hielo

NOTA

Mantenga pulsado el botón de cubitos de hielo o de hielo picado y suéltelo cuando el recipiente contenga el volumen de hielo deseado. De lo contrario, el hielo que llega a la abertura del dispensador de cubitos podría sobrecargar el recipiente o bloquear la abertura.

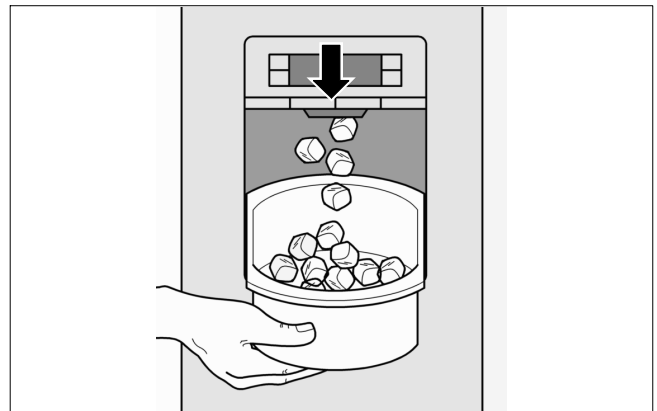
Si se dispensó hielo picado antes de dispensar cubitos, pueden haber quedado restos de hielo picado en la abertura del dispensador de cubitos de hielo. Los restos de hielo picado saldrán al exterior junto con el primer lote de cubitos.

1. Sostenga un recipiente adecuado debajo del dispensador de hielo y agua.
2. Mantenga pulsado el botón de cubitos de hielo o de hielo picado hasta que el recipiente contenga el volumen deseado.



Contenedor de hielo

El contenedor de hielo almacena una reserva de cubitos de hielo en el compartimiento del congelador. Gracias a su forma, este contenedor encaja a la perfección en el dispensador de hielo y agua.



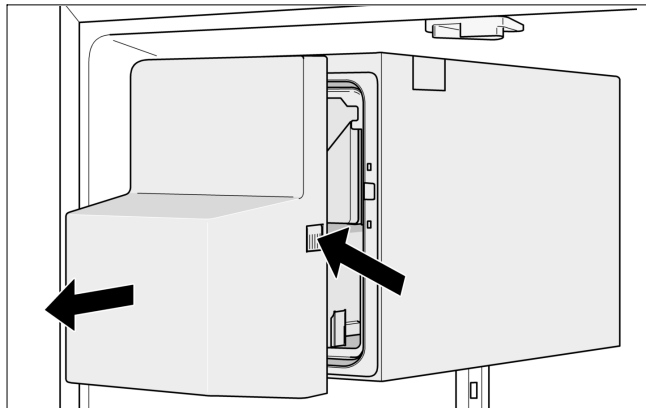
Desconecte la máquina de hielo

NOTA

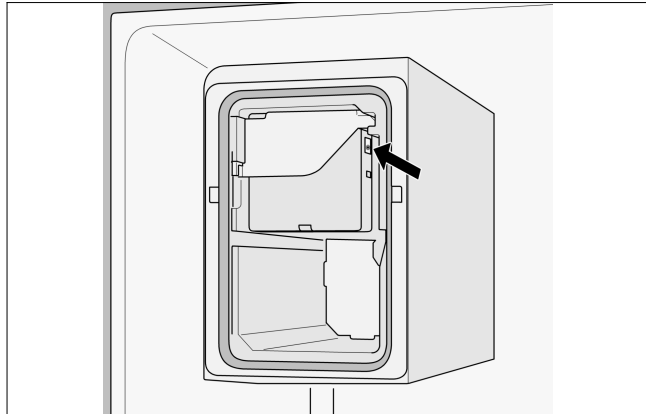
Corte el suministro de agua al aparato unas horas antes de desconectar la máquina de hielo.

Si no se van a dispensar cubitos de hielo durante más de 1 semana (p. ej., por vacaciones), desconecte temporalmente la máquina de hielo para evitar que los cubitos de hielo se adhieran entre sí.

1. Pulse el botón de desbloqueo y extraiga el contenedor de cubitos de hielo.



2. Pulse el botón situado detrás del contenedor de cubitos durante 3 segundos. Se apagará la luz LED y la máquina de hielo se desactivará.



3. Vacíe y limpie el contenedor de cubitos de hielo.
4. Empuje el contenedor de cubitos de hielo hasta el fondo en dirección a los soportes hasta que quede asegurado en su lugar.

Reactivación de la máquina de hielo:

- Pulse durante 3 segundos el botón situado detrás del contenedor de cubitos. Se encenderá la luz LED y la máquina de hielo se activará.

Filtro de agua



ATENCIÓN

No use el aparato en lugares donde la calidad del agua sea poco segura o desconocida sin tomar medidas de desinfección adecuadas antes y después del filtrado.

Puede solicitar al servicio de asistencia al cliente un cartucho de filtro para el filtrado de partículas.

El filtro de agua debe sustituirse por lo menos cada 6 meses.

Al cabo de 6 meses, el símbolo del filtro de agua empieza a parpadear para indicarle la necesidad de sustituir el cartucho de filtro (véase "Símbolo de filtro de agua").

Otros requisitos de conexión

No instale el cartucho de filtro si la presión del agua es superior a 116 psi (8.0 bar).

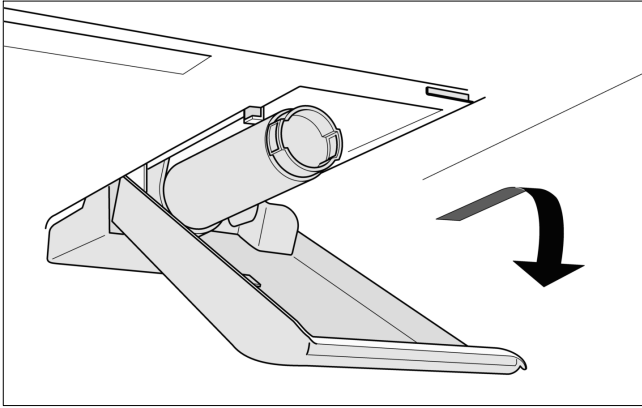
Si la presión del agua es superior a 80 psi (5.5 bar), es necesario instalar una válvula reductora de presión.

Observación importante

- Si el aparato no se ha utilizado durante un periodo prolongado o el agua presenta un sabor u olor desagradable, enjuague el sistema por completo. Para hacerlo, extraiga agua del dispensador de agua durante varios minutos. Sustituya el cartucho de filtro si el sabor desagradable persiste.
- La máquina de hielo y el dispensador de agua pueden usarse sin el cartucho de filtro. En tal caso, reemplace el filtro de agua con el tapón de derivación.

Instalación y reemplazo del cartucho de filtro

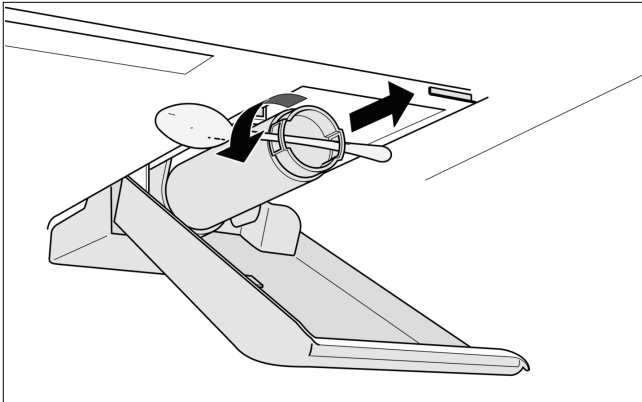
1. Jale la tapa hacia afuera y luego bájela.



NOTA

¡Retire el cartucho de filtro con precaución!
El sistema de agua está a presión baja después de su uso.

2. Gire con cuidado el cartucho de filtro 90° en sentido antihorario, p. ej. usando una cuchara, y jálalo hacia afuera.



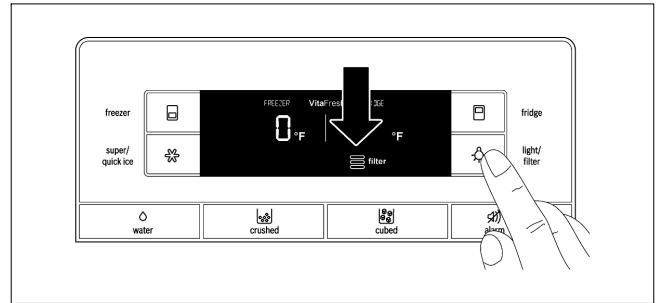
3. Saque el cartucho de filtro nuevo del envoltorio y retire el tapón de seguridad.
4. Inserte el cartucho de filtro nuevo y gírelo con cuidado 90° en sentido horario hasta el tope, p. ej. con una cuchara.

NOTA

El cartucho de filtro debe apretarse a mano para evitar que se produzcan fugas y garantizar que el aparato reciba un suministro de agua suficiente.

5. Levante la tapa y bloquéela en su lugar.
6. Abra el suministro de agua al aparato.
7. Extraiga aproximadamente un galón de agua del dispensador de agua. Esto eliminará el aire que pudiera haber quedado en el sistema de agua.

8. Expulse el agua del cartucho de filtro usado. El cartucho de filtro puede desecharse junto con los residuos domésticos.
9. Mantenga pulsado el botón "light/filter" (luz/filtro) durante 3 segundos. El símbolo del filtro de agua se reiniciará. El símbolo dejará de parpadear. El cartucho de filtro nuevo se activará.



Hoja de datos de rendimiento

Modelo 9000 777508, 9000 705475 and 9000 225170

Usar un cartucho de repuesto 9000 674655.

La concentración de las sustancias indicadas disueltas en el agua que entran en el sistema se redujo a un nivel inferior o igual al límite autorizado para el agua descargada del aparato, siguiendo lo especificado por las normas NSF/ANSI 42 y 53.



El sistema ha sido comprobado y certificado por la NSF International según las NSF/ANSI estándar 42 y estándar 53 para reducir las quejas especificadas en la hoja de datos de rendimiento.

Capacidad 2800 litros (739.68 galones)

Reducción de la contaminación determinada por las pruebas NSF.

Reducción de la contaminación	Promedio Afluente	Concentración meta especificada por NSF	Promedio % Reducción	Concentración promedio en el agua producida	Concentración máxima autorizada en el agua producida	Requisitos de reducción NSF	Informe de prueba NSF
Sabor y olor a cloro	2,1 mg/L	2,0 mg/L \pm 10 %	97,6 %	0.05 mg/L	N/A	\geq 50 %	J-00121313
Clase nominal de partículas I, \geq 0.5 a $<$ 1.0 μ m	9 100 000 pts/mL	Mín. 10 000 partículas/mL	98,8 %	111 817 pts/ml	N/A	\geq 85 %	J-00099871
Cyst *	170.000 cysts/L	Mínimo 50 000 quistes/L	99,99 %	0.001 cyst/L	N/A	\geq 99.95 %	J-00109715

* Basándose en el uso de ovocitos de *Cryptosporidium parvum*

Guías de aplicación/parámetros de suministro de agua	
Flujo de servicio	0.75 gpm (2.83 lpm)
Suministro de agua	Agua potable
Presión del agua	30 - 120 psi (207 - 827 kPa)
Temperatura del agua	33 °F - 100 °F (0.6 °C - 38 °C)

Es fundamental que la instalación, el mantenimiento y los requisitos de cambio del filtro recomendados por el fabricante se lleven a cabo para que el producto funcione como se indica. Véase el Manual de instalación para información sobre la garantía.

Nota: Aunque las pruebas se efectuaron en condiciones estándares de laboratorio, el rendimiento real puede variar.

Cartucho de repuesto: 9000 674655. Para saber el costo estimado de las partes de reemplazo, hay que ponerse en contacto con el distribuidor local o llamar al 1-800-578-6890.



ADVERTENCIA

Para reducir los riesgos asociados con la ingesta de contaminantes:

NO usar con agua micro biológicamente insegura o de calidad desconocida sin desinfectarla adecuadamente antes y después del sistema. Los sistemas certificados para la reducción de quistes microbianos pueden usarse en aguas desinfectadas susceptibles de contener quistes filtrables.

Número de establecimiento EPA 10350-MN-005

NOTA

Para reducir el riesgo asociado con daños a la propiedad debidos a fugas de agua o inundaciones:

Leer y seguir las Instrucciones de uso antes de instalar y utilizar este sistema.

Para reducir el riesgo de fugas de agua o inundaciones y para garantizar un rendimiento óptimo del filtro:

Cambiar el cartucho desechable del filtro cada seis meses, o antes si aprecia una disminución considerable del flujo de agua.

Si no se cambia el cartucho desechable del filtro en los periodos recomendados, el rendimiento del filtro disminuirá y se pueden producir grietas en la carcasa, lo cual a su vez causará fugas o inundaciones.

Consejos de ahorro de energía

- Instale el aparato en un espacio seco y bien ventilado, pero no expuesto a la luz solar directa ni en la proximidad de fuentes de calor (radiadores, estufas, etc.). Si es necesario, use una placa aislante.
- Deje que los alimentos y bebidas calientes se enfríen antes de introducirlos en el aparato.
- Para descongelar alimentos congelados, colóquelos en el compartimiento del refrigerador. La baja temperatura de los productos congelados contribuye a enfriar los alimentos almacenados en el refrigerador.
- Abra y cierre las puertas del aparato lo más rápidamente posible.

Ruidos de funcionamiento

Ruidos normales

Murmullo suave: la unidad de refrigeración está en funcionamiento. El ventilador del sistema de aire circulante está en funcionamiento.

Sonidos de burbujeo, zumbido o gorgoteo: el refrigerante fluye por las tuberías o está entrando agua en la máquina de hielo.

Chasquidos: el motor se enciende o se apaga. La válvula solenoide de la conexión de agua se está abriendo o se cerrando.

Rumor fuerte: los cubitos de hielo elaborados en la máquina de hielo están cayendo al contenedor de cubitos.

Resolución de problemas de ruido sencillos

El aparato no está nivelado horizontalmente

Alinee el aparato usando un nivel. Puede usar las patas de altura ajustables o colocar algún objeto debajo de las patas.

El aparato roza otros equipos o aparatos contiguos

Aparte el aparato de los equipos o aparatos contiguos.

Cajones, cestos o contenedores sueltos o atascados

Compruebe las piezas extraíbles y, si es necesario, vuelva a colocarlas en su lugar.

Hay recipientes en contacto entre sí

Deje un poco de espacio entre las botellas o recipientes.

Descongelamiento

Compartimiento del congelador

El sistema completamente automático No Frost garantiza la ausencia de hielo en el compartimiento del congelador. Ya no hace falta descongelar.

Compartimiento del refrigerador

El descongelamiento se realiza de forma automática.

El agua condensada se cuele por el orificio de desagüe hasta una bandeja de evaporación situada en la parte trasera del aparato.

Apagar y desconectar el aparato

Apagar el aparato

Desenchufe el aparato o desconecte el fusible.

Desconectar el aparato

Si no se va a utilizar el aparato durante un periodo prolongado:

1. Es extremadamente importante que desconecte el suministro de agua durante unas horas antes de apagar el aparato.
2. Extraiga todos los alimentos del aparato.
3. Desenchufe el aparato.
4. Retire y deseche el cartucho de filtro.
5. Vacíe y limpie el contenedor de cubitos de hielo.
6. Limpie el interior del aparato (véase "Limpieza del aparato").

Para evitar la acumulación de olores, deje las puertas del aparato abiertas.

Limpieza



ADVERTENCIA

¡Riesgo de descarga eléctrica!

Desenchufe el aparato o desconecte el cortacircuitos (o fusible) antes de limpiar el aparato.



ATENCIÓN

Para evitar lesiones personales o daños materiales, siga estas indicaciones:

No utilice limpiadoras a vapor para limpiar el aparato.

No utilice detergentes ni disolventes abrasivos o ácidos.

Frote las luces y el panel de visualización y de control solo con un trapo húmedo. No deje que el agua de limpieza ingrese en las luces o en el panel de visualización y de control.

No deje que el agua de limpieza se cuele por el orificio de desagüe de la zona de evaporación.

No lave los estantes y contenedores en un lavaplatos. Las piezas podrían deformarse.

Limpieza del aparato

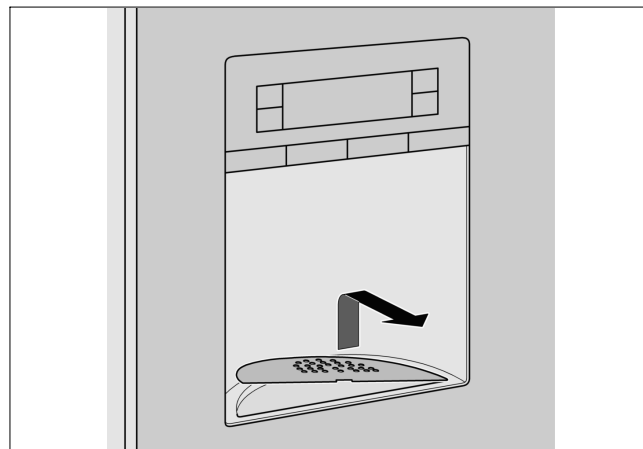
Los compartimientos VitaFresh Pro y el cajón para fiambres pueden retirarse para realizar su limpieza.

1. Desenchufe el aparato o desconecte el fusible.
2. Retire todos los alimentos del aparato y guárdelos en un lugar fresco.
3. Limpie el aparato con un trapo suave usando agua tibia y una pequeña cantidad de líquido lavaplatos con un pH equilibrado.
4. Luego, séquelo con un trapo.
5. Frote los sellos de la puerta solo con agua y luego séquelos por completo.
6. Tras la limpieza, vuelva a enchufar el aparato para encenderlo.

Limpieza de la bandeja de recolección de agua

El agua derramada se acumula en la bandeja de recolección de agua.

Para vaciarla y limpiarla, retire el colador. Seque la bandeja de recolección de agua con una esponja o un trapo absorbente.



Limpieza del contenedor de cubitos de hielo

Si no se dispensan cubitos de hielo durante un periodo prolongado, los cubitos se encogen, adquieren un sabor rancio y se adhieren entre sí.

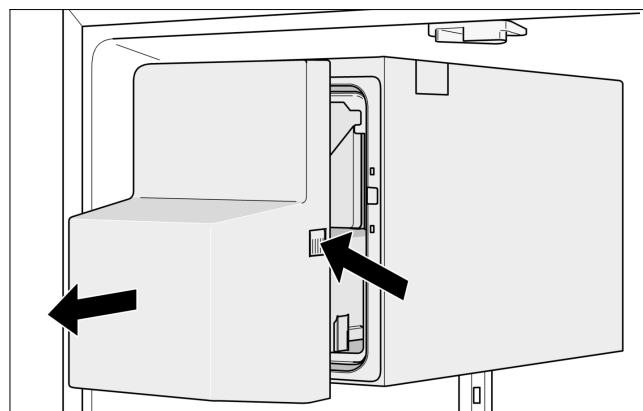


ATENCIÓN

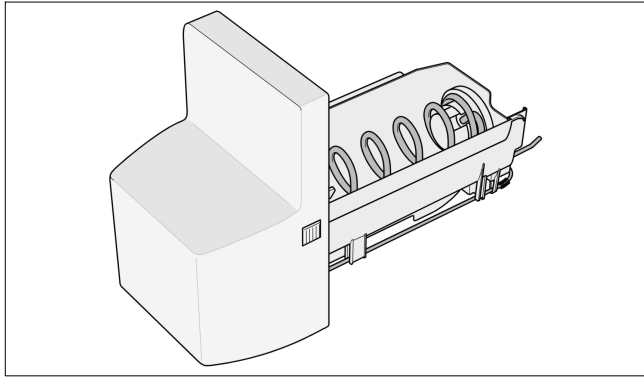
¡Riesgo de lesiones!

El contenedor de cubitos de hielo pesa mucho cuando está lleno. Tenga precaución al retirar el contenedor de cubitos de hielo.

1. Pulse el botón de desbloqueo y extraiga el contenedor de cubitos de hielo.



2. Vacíe el contenedor de cubitos de hielo y límpielo con agua tibia.



3. Seque por completo el contenedor y el transportador helicoidal para evitar que los nuevos cubitos de hielo se atasquen.

Insertar el contenedor de cubitos de hielo

4. Empuje el contenedor de cubitos de hielo hasta el fondo en dirección a los soportes hasta que quede asegurado en su lugar.

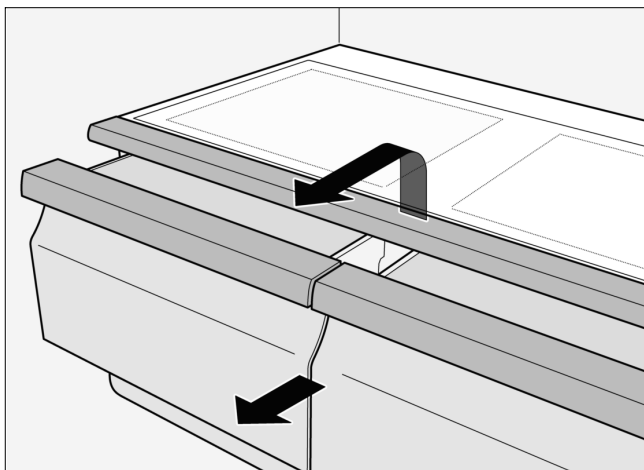
NOTA

Si no es posible empujar el contenedor hasta el fondo, gire ligeramente el transportador helicoidal o retire los cubitos de hielo que puedan haber quedado atorados en la zona de inserción.

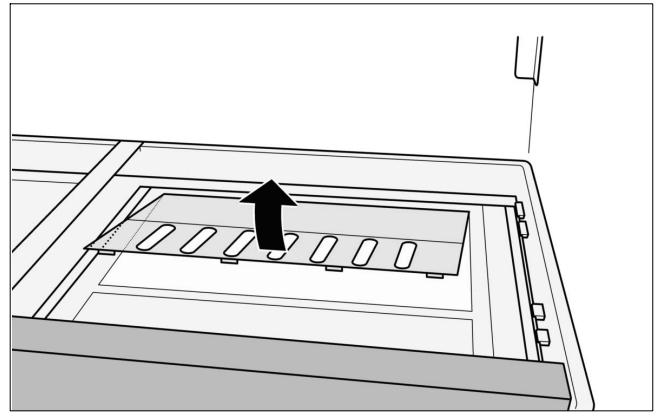
Retirar el filtro especial para humedad

(no incluido en todos los modelos)

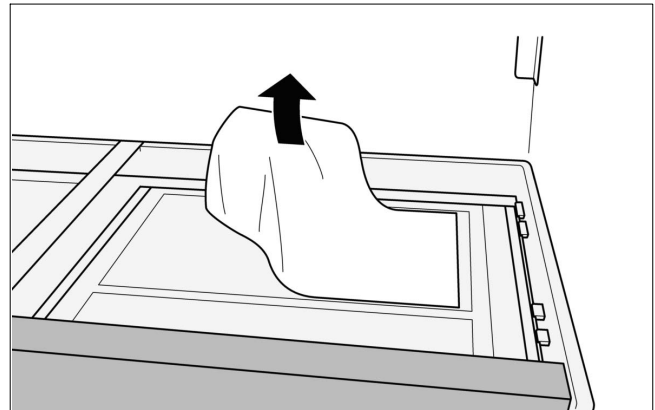
1. Jale los cajones VitaFresh Pro hacia afuera aprox. 4 pulgadas (aprox. 10 cm).
2. Pliegue hacia arriba la placa de vidrio que se encuentra encima de los cajones VitaFresh Pro y extráigalos.



3. Introduzca la mano entre las aberturas de la tapa, desenganche con cuidado las 4 muescas frontales y jale la tapa hacia afuera.



4. Retire el filtro especial para humedad.



5. Limpie el filtro especial para humedad con agua tibia y déjelo secar.
6. Inserte el filtro especial para humedad.
7. Vuelva a colocar la parte trasera de la tapa, muévala hacia abajo y asegúrese de que la parte frontal se enganche.
8. Inserte la placa de vidrio y cierre los cajones VitaFresh Pro.

Luz LED

El aparato está provisto de una luz LED que no requiere mantenimiento.

Al abrirse las puertas, la luz interior se vuelve gradualmente más intensa, y al cerrarse, se atenúa gradualmente.

Cuando se enciende, la luz del dispensador de hielo y agua se vuelve gradualmente más intensa y, cuando se apaga, se atenúa gradualmente.



ATENCIÓN

¡Riesgo de lesión ocular por luz láser clase 1M (IEC 60825)!

No observe la luz directamente con instrumentos ópticos.

Estas luces solo deben ser reparadas por el servicio de asistencia al cliente o por un técnico especializado.

Resolución de problemas menores

Antes de ponerse en contacto con el servicio de asistencia al cliente:

- Compruebe si puede resolver el problema usted mismo basándose en la siguiente información.

Las consultas al servicio de asistencia al cliente son de pago, incluso si el aparato se encuentra cubierto por la garantía.

Compartimiento del refrigerador y compartimiento del congelador

Problema	Causa posible	Acción correctiva	
El aparato no enfría, el dispensador de hielo y agua no funciona y el panel de visualización muestra alternativamente las distintas funciones.	Está activado el modo de demostración.	Pulse al mismo tiempo los botones "fridge" (refrigerador) y "super/quick ice" (hielo rápido/super) y pulse 5 veces el botón "light/filter" (luz/filtro).	
No aparece ninguna imagen en el panel de visualización, la luz interior no funciona y el aparato no funciona.	El cable de alimentación no está enchufado.	Enchufe el cable de alimentación.	
	Se fundió el fusible o el cortacircuitos se disparó.	Reemplace el fusible o reinicie el cortacircuitos. Compruebe si hay electricidad en la toma de corriente.	
	Corte de red eléctrica.	Espere hasta que se restablezca el suministro. En caso necesario, consulte a un electricista o a la compañía de suministro público.	
La luz interior no se enciende.	El interruptor de la luz del congelador o del compartimiento del refrigerador se atoró.	Compruebe si es posible mover el interruptor de la luz.	
	El foco LED está defectuoso.	Véase "Luz LED".	
Los alimentos están demasiado fríos.	Se estableció una temperatura demasiado baja.	Establezca una temperatura más alta.	
Los alimentos están demasiado calientes.	La puerta no cierra correctamente.	Alinee el aparato utilizando un nivel. Véase "Alinear el aparato". Compruebe la posición de los cajones y rectifíquela si es necesario. Compruebe los sellos de las puertas y la barra retraíble de la puerta. Si es necesario, límpielos o rectifique su posición.	
	Se estableció una temperatura demasiado alta.	Seleccione una temperatura más baja.	
	La ventila está bloqueada.	Retire los alimentos que están bloqueando la ventila.	
	Las puertas se abrieron demasiadas veces o se dejaron abiertas durante un tiempo demasiado prolongado.	Espere hasta que baje la temperatura en el interior del aparato.	
	Se introdujo una gran cantidad de alimentos en el refrigerador.	Los alimentos frescos deben alcanzar primero la temperatura de almacenamiento correcta.	
	El aparato emite un olor desagradable.	Se introdujeron en el refrigerador alimentos de olor intenso.	Envuelva dichos alimentos o colóquelos en un contenedor hermético.
		El compartimiento interior está sucio.	Limpie el compartimiento interior.

Problema	Causa posible	Acción correctiva
Se forman gotas de agua en el exterior del aparato.	La puerta no cierra correctamente.	Alinee el aparato utilizando un nivel. Véase "Alinear el aparato".
		Compruebe la posición de los cajones y rectifíquela si es necesario.
	La humedad es excesiva.	Compruebe los sellos de las puertas y la barra retraíble de la puerta. Si es necesario, límpielos o rectifique su posición.
		Esto puede ser normal en determinadas regiones.
Se forman gotas de agua en el interior del aparato.	Hay humedad en exceso o se abrieron las puertas con demasiada frecuencia.	No abra las puertas con tanta frecuencia o no las deje abiertas demasiado tiempo.
	Los sellos de las puertas no cierran herméticamente.	Compruebe los sellos de las puertas y la barra retraíble de la puerta. Si es necesario, límpielos o rectifique su posición.
Resulta muy difícil cerrar los cajones.	No se insertó el cajón correctamente.	Inserte el cajón correctamente.
	Los rieles del cajón están sucios.	Limpie los rieles del cajón.

Dispensador de hielo y agua

Problema	Causa posible	Acción correctiva
El símbolo del filtro de agua parpadea.	Finalizó la vida útil del cartucho de filtro.	Sustituya el cartucho de filtro.
	No se reinició el símbolo del filtro de agua después de sustituir el cartucho.	Reinicie el símbolo del filtro de agua.
La máquina de hielo no fabrica suficientes cubitos de hielo o estos salen deformes.	El aparato o la máquina de hielo se conectaron recientemente.	La máquina tarda aproximadamente 24 horas en empezar a fabricar hielo.
	Se extrajo una gran cantidad de hielo.	El contenedor de hielo tardará aprox. 24 horas en llenarse de nuevo.
	La presión del agua es demasiado baja.	Solicite que revisen la presión del agua.
	El cartucho de filtro está atascado o caduco.	Sustituya el cartucho de filtro.
La máquina de hielo no fabrica suficientes cubitos de hielo o no fabrica ninguno.	Un cubito de hielo está atorado en el brazo que mide el nivel de hielo en el recipiente para cubitos de hielo.	Retire el contenedor de cubitos de hielo y desprenda los cubitos de hielo atorados usando un utensilio de plástico sin punta. No use objetos filosos o puntiagudos, ya que podrían dañar el aparato.
	Al cambiar de cubitos de hielo a hielo picado, un cubito puede quedarse atorado en la abertura del dispensador. El cubito de hielo empezará a fundirse y el agua goteará hacia el interior del dispensador de hielo y agua.	Desprenda el cubito de hielo atorado de la abertura del dispensador usando un utensilio de plástico sin punta. No use objetos filosos o puntiagudos, ya que podrían dañar el aparato.
	Hay una capa de hielo en el transportador helicoidal.	Retire y limpie el recipiente para cubitos de hielo.
El recipiente para cubitos de hielo contiene cubitos de hielo que no están siendo dispensados.	Los cubitos de hielo están congelados uno junto al otro.	Retire y limpie el recipiente para cubitos de hielo.

Problema	Causa posible	Acción correctiva
La máquina de hielo no fabrica cubitos.	La máquina de hielo está apagada.	Encienda la máquina de hielo.
	El aparato no recibe suministro de agua.	Solicite a un técnico calificado que revise la conexión de agua.
	El tubo de conexión de agua presenta torceduras.	Corte el suministro de agua. Enderece las torceduras. Reemplace la conexión de agua con refacciones originales del fabricante.
	La presión del agua es demasiado baja.	Solicite que revisen la presión del agua.
	Temperatura del compartimiento del congelador demasiado alta.	Ajustar una temperatura ligeramente más fría para el compartimiento del congelador.
	El contenedor de cubitos de hielo no está insertado correctamente.	Inserte el contenedor de cubitos de hielo correctamente.
El dispensador de agua dispensa muy poca agua o ninguna.	La conexión de agua está instalada incorrectamente.	Si la conexión de agua no está instalada correctamente, la presión puede caer y el aparato puede averiarse.
	El cartucho de filtro está atascado o caduco.	Sustituya el cartucho de filtro.
	La presión del agua es demasiado baja.	Solicite que revisen la presión del agua.
	La válvula de corte no está abierta por completo.	Ajuste la válvula de corte para que quede abierta por completo.
El agua dispensada no está fría.	El tubo de conexión de agua presenta torceduras.	Corte el suministro de agua. Enderece las torceduras. Reemplace la conexión de agua con refacciones originales del fabricante.
	El aparato se instaló recientemente.	El agua tardará aprox. 12 horas en enfriarse.
	El agua ha estado dentro de las tuberías durante un tiempo prolongado y se adaptó a la temperatura ambiente.	Llene 15 vasos de agua y deséchelos.
El agua está turbia.	Hay aire o burbujas en el agua.	Este fenómeno es normal cuando se usa el dispensador de agua por primera vez, y desaparece después de un breve período de tiempo.
Hay partículas flotando en el agua o suspendidas en los cubitos de hielo.	La primera vez que el agua pasa por el cartucho de filtro, puede arrastrar polvo de carbón procedente del cartucho.	Estas partículas suspendidas no son tóxicas. Desaparecerán después de un breve período de tiempo.
	Las partículas suspendidas proceden de los depósitos minerales que se forman al congelar agua y dejarla descongelar luego.	Estas partículas suspendidas no son tóxicas. Este fenómeno se produce de modo natural en el suministro de agua.

Servicio de asistencia al cliente

Antes de ponerse en contacto con el servicio de asistencia al cliente:

Compruebe si puede resolver el problema usted mismo usando la información del apartado "Resolución de problemas menores".

Si esta información no es suficiente para resolver el problema, puede obtener más ayuda a través del servicio de asistencia al cliente de Bosch.

EE. UU.:

Póngase en contacto con el Centro de Interacción con el Cliente de Bosch llamando al 1-800-944-2904 (llamada gratuita).

Canadá:

Póngase en contacto con su empresa de servicio designada por Bosch Canada o llame al 1-800-944-2904.

Para brindarle una mejor asistencia, anote los datos del aparato a fin de poder consultarlos en el futuro:

Nombre del distribuidor

Domicilio

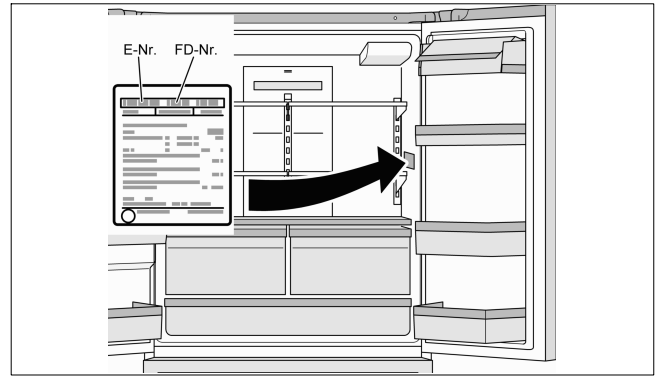
Número de teléfono

Fecha de compra

Número del modelo (número E)

Número de serie (número FD)

Facilite al servicio de asistencia al cliente el número de modelo (número E) y el número de serie (número FD) del aparato.



Esta información se encuentra en la placa de características situada en el compartimento del refrigerador de la derecha.

BSH Home Appliances Corporation

1901 Main Street, Suite 600,

Irvine CA 92614, USA

www.bosch-home.com



8001068741 (9708)

en-us, fr-ca, es-mx