

install guide



The Chelsea Collection

Redefining Quality & Value

We would like to take this opportunity to thank you for your purchase of the American Bath Factory Chelsea Modern Bathtub.

Should you have any questions, concerns or feedback about your bathtub, please call us toll-free at (800) 454-BATH Mon. - Fri., 7:15am - 4:00pm (PT) or email us at customerservice@americanbathfactory.com



60" CHELSEA MODERN

Cleaning & Maintaining your Bathtub

Your bathtub's surface is very easy to clean. There are no pores for dirt to penetrate, so dirt will just rinse off with water. For sanitary purposes, you should occasionally clean your bathtub with non-abrasive soap and water when possible. Avoid harsh chemicals. Dish washing detergent such as JOY®, PALMOLIVE®, IVORY®, etc., is all that is required. If you spill something on the bathtub and need a stronger cleaner, the following are SAFE to use: GEL GLOSS®, TACKLE®, TOP JOB®, FORMULA 409®, WINDEX®, CLOROX BLEACH®, GLASS PLUS®, LIQUID COMET®, SOFT SCRUB®, and SPIC & SPAN POWDER®.

IMPORTANT

DO NOT CLEAN YOUR BATHTUB WITH GOOF OFF®, SCRUBBING BUBBLES®, LYSOL DISINFECTANT SPRAY®, DOW DISINFECTANT BATHROOM CLEANER®, PINE-SOL®, WHITE-CAP®, LESTOIL®, PAINT THINNER, ACETONE, LACQUER THINNER, M.E.K.

or other chemicals that attack the structural integrity of plastic (including, but not limited to acetones). Use of these chemicals will destroy the acrylic surface of your bathtub.

USE OF THESE CHEMICALS WILL VOID YOUR WARRANTY

If you should dull, scratch, or chip your bathtub, the appearance can be restored to it's original look. Scratches and dulling can be removed with a liquid polish such as Gel-Gloss®. Deep scratches or burns can be removed by using very fine sandpaper (600 grit or higher) and finished with a liquid polish.

13405 Estelle Street, Corona, California 92879
Phone 800.454.BATH Fax 951.734.1480
americanbathfactory.com

Before You Begin

1

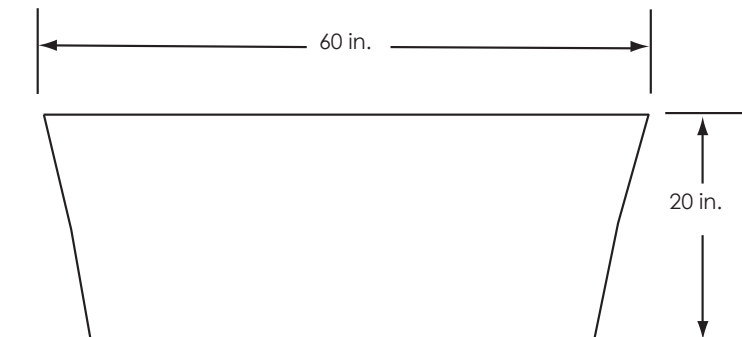
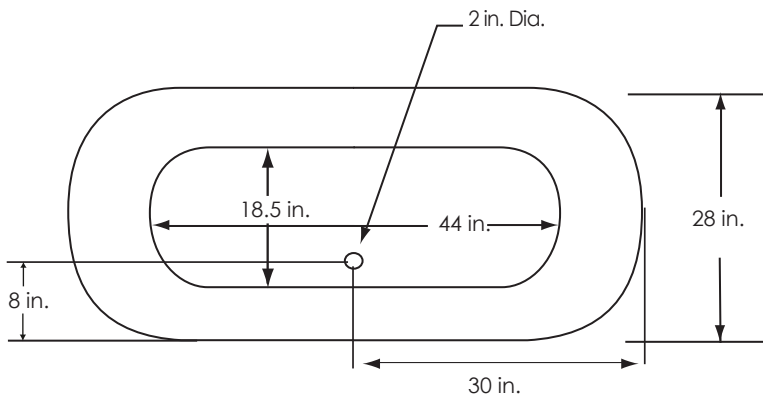
To ensure that no damage has occurred to your bathtub during shipping, it is important to check your bathtub for damage prior to the installation in your home!

SPECIFICATIONS

Overall Dimensions 60" L x 28" W x 20" H

Capacity 40 Gallons

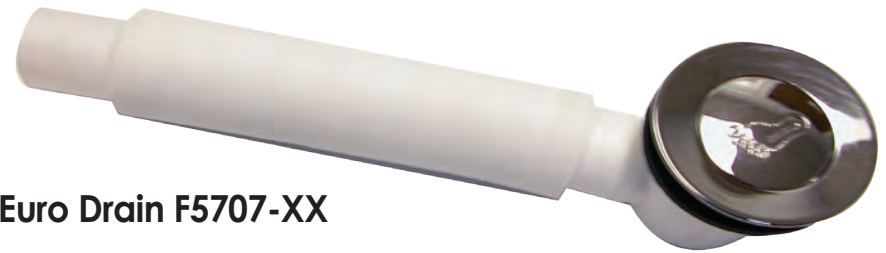
Weight Dry weight - 85 lbs. Full weight - 419 lbs.



2

Drain Assembly for Freestanding Bathtub

1) American Bath Factory sells the Euro Drain Assembly (F5707-XX) pictured below, depending on your main drain pipe configuration your installer will need to provide the connection fittings to connect between your main drain and our drain assembly. Home improvement centers carry a large variety of connections needed. Most commonly used is Keeney Manufacturing fitting 400BK and 95K this is a 1 1/2" P-Trap and connection fitting pictured below.

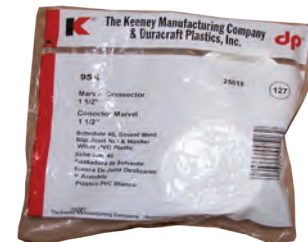


Euro Drain F5707-XX

Not Included with Tub Only Package

P-Trap 400BK NOT INCLUDED

Connection Fitting 95K NOT INCLUDED



Installing a Modern Style Bathtub

3



Freestanding Bathtubs WITHOUT AN OVERFLOW

The Chelsea Modern Bathtub comes without an overflow. ICP, International Plumbing Code book 2009 discusses the fact that the past standard of required overflows was eliminated because due to lack of use it was resulting in growth of bacteria and microorganisms within the overflow piping, also Whirlpool Bathtub appliances are to comply to ASME A112.10M Section P2720.4 instructions. American Society of Mechanical Engineers recognizes the problem of having surface areas where water containing bacteria can accumulate and there is no ability to disinfect or cover ventilation holes to contain the hazard of venting of bacteria.

Floor Drain Is Recommended

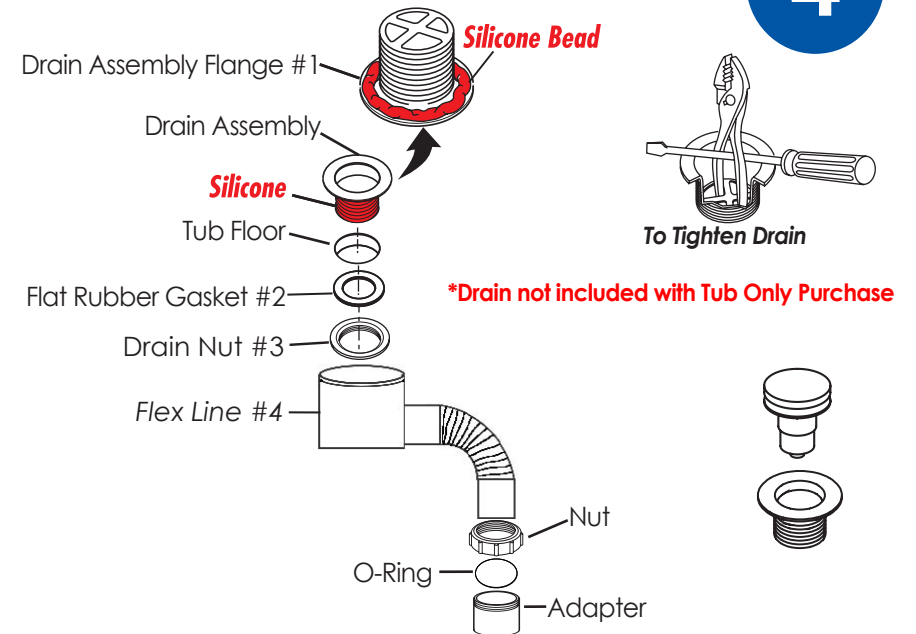
American Bath Factory's Modern Bathtubs are designed for maximum soaking depth. Having no overflow allows for extra soaking depth, but precaution is needed when entering the bathtub, due to rapid increase of water height. Most overflows do not prevent water overflow from faucets being left on or the rapid entry into the bathtub, they are designed to help while adding additional water to heat the bath or while easing into the bathtub. This is why it is safe to only have a 2" floor drain installed. This will help for any bathroom water overflow or leaks from bathtubs, toilets, sinks or broken water lines.

Check your Local City Codes

Check your local codes, some cities still have old or outdated requirements. If your city is unchanging and is still requiring an overflow, an overflow can be drilled upon request. (Order and install an exposed 5711 drain); or you can contact American Bath Factory before shipping to have your bathtub equipped with an exposed overflow. We will modify any bathtub to accommodate an exposed waste and overflow. (Unfortunately the aesthetics will be less appealing and installation more difficult.)

F5707 Euro Drain Installation

4



!! IMPORTANT !!

It is recommended that the drain be installed with SILICONE not Plumber's Putty!

Disassemble the drain assembly and apply a liberal amount of silicone to the threads and the underside of the drain assembly's flange (#1). Drop the drain assembly through the drain hole in the tub, apply silicone on the underside of tub around the drain and on the threads of drain assembly. Slip the flat rubber gasket (#2) from below the tub onto the drain assembly to the bottom of the tub, apply silicone on the now exposed side of flat rubber gasket. Now by hand, loosely screw on the drain nut (#3) onto the drain assembly. Only tighten until you see one or two threads below the nut. Apply silicone to the inside threads of the flex line (#4). Thread part of the flex line onto the assembly below the drain nut. Next screw the drain assembly into the nut and flex line at the same time by using the handles of a pair of pliers like shown above. Once the flex line is tight, using a monkey wrench tighten the drain nut until firmly to rubber gasket and the bottom of bathtub (holding the pliers inside the assembly to stop it from spinning). Wipe off any excess silicone with a dry cloth. Clean well for it will be very difficult to clean silicone residue from the inside of bathtub if not cleaned while silicone is wet. Use the p-trap adapter, o-ring and nut to secure to your p-trap. Attach push stopper and allow to fully dry before using.

ALIGN & SECURE YOUR BATHTUB

5

Allow 24 hours for the Silicone to cure completely before adding water to the bathtub.

If everything is sealed and dry, fill your bathtub 3/4 of the way and check for leaks. After the water test is complete and there are no leaks, proceed with the next steps.

Positioning Your Bathtub

Position your bathtub into desired installed location. Using a pencil mark the bathtub position on the floor. Check level, using rubber spacers if need be to stop any movement or rocking. Move the bathtub, measure and mark the drain position. The drain should be 3" from the end of outside edge of bathtub base as marked on the floor. You will use the drain location to determine where to bring in the main drain line (anywhere under the bathtub inside the base, at least 3" from the drain).

Faucet Installation

Faucets do not install directly onto this bathtub, you may use a wall mount or floor mount faucet. Follow the faucet installation instructions. It may be more practical to install the faucet before you install your tub to the main drain pipe. There are many different directions and sizes the main drain supply will attach to the drain, your installer will need to determine what fittings will be needed to connect to the 1.5" plastic pipe end of the 5714-Flex Line. It is safer to use a rigid P-trap like the (#5) 400EK shown in diagram in step 2. It is possible to bend the 5714-Flex into a p-trap shape and connect directly into a fitting like (#6) 95K. The 5714-Flex line can bend and expand up to 2 ft. this will make connecting to your main drain very easy. Just make sure you have a trap for water to stop deadly fumes coming up the drain.

Securing Bathtub to the floor

Our recommended method for securing your bathtub to the floor is to use caulk around the base of the bathtub. Apply a bead of caulk around the base of the bathtub; this helps to hold the bathtub in place. Apply the caulk slowly and only about 2 feet at a time. Wipe the excess from the tile and tub with a rag and water.

Safety Instructions

- **DANGER!** To reduce the risk of injury, do not permit children to use bathtubs unless they are closely supervised by an adult at all times.
- Use this bathtub only for its intended use as described in this manual. Do not use attachments not recommended by the ABF.
- Do not attempt to plug in or unplug the electrical devices while in or near a filled bathtub. Never use or handle electrical devices while in or near a filled tub.
- Never drop or insert any objects into any openings.
- Only healthy adults should use the bathtub when the water temperature is between 100° and 104°F (38°- 40°C). Any temperature below 100°F is considered safe for longer durations (exceeding 10 - 15 minutes) or for young children. The water temperature in a bathtub should never exceed 104°F (40°C).
- Excessive water temperatures have a high potential for causing fetal damage during the early months of pregnancy. Pregnant or possibly pregnant women should limit bathtub temperatures to 38° C (100°F).
- The use of alcohol, drugs, or medications before or during bathing may lead to unconsciousness and the possibility of drowning.
- Use of this bathtub may cause drowsiness and changes in heart rate and/or blood pressure. Persons suffering from obesity, who have a medical history of heart disease, high or low blood pressure, circulatory problems, or diabetes should consult a physician before using. Persons using medications should consult a physician before using this bathtub.

Information in this document is subject to change without notice. Copyright 2018 American Bath Factory. All rights reserved. Reproduction in any manner whatsoever without the written permission of American Bath Factory is strictly forbidden. Trademarks and trade names used in this document refer to either the entities claiming the marks and names or their products. American Bath Factory disclaims any proprietary interest in trademarks and trade names other than its own.