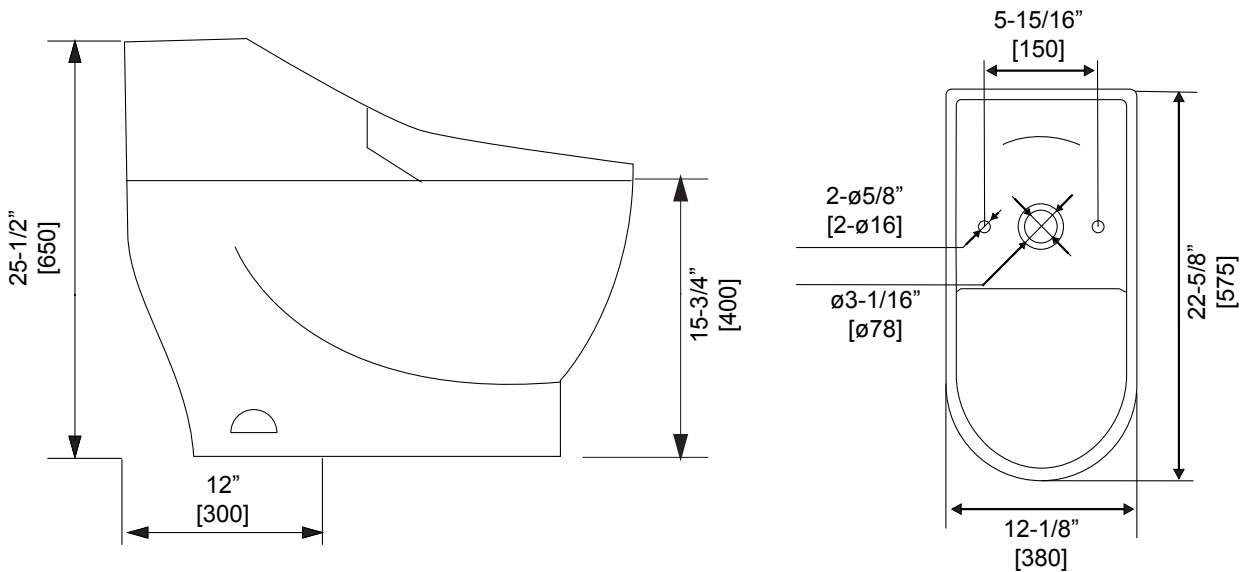


OVE SMART TOILET

Model EBBA

INSTRUCTION MANUAL

Measures: inch [millimeter]



Thank you for choosing OVE SMART TOILET. Please read and understand this entire manual before attempting to assemble, operate or install this product.

CONTENT

SAFETY NOTICE	p.3
WARNINGS	p.4
PART LIST	p.5
INSTALLATION INSTRUCTIONS	p.6-8
BATTERY INSTALLATION	p.9
FIRST TIME USE	p.10
CONTROLS DESCRIPTION	p.11-12
FEATURES	p.13
INTELLIGENT FEATURES	p.14
CLEANING THE FILTER	p.15
LONG TERM STORAGE	p.16
BATTERY MAINTENANCE	p.16
SPECIFICATION SHEET	p.17
MAINTENANCE & CONSUMER RESPONSIBILITIES	p.18
LIMITED 1 YEAR WARRANTY	p.18
INFORMATION ABOUT YOUR WARRANTY COVERAGE	p.18
NOTES ON WARRANTY	p.18
FOR WARRANTY SERVICE	p.18
INSTALLATION PICTURE	p.19
CONTACT US	p.20

SAFETY NOTICE

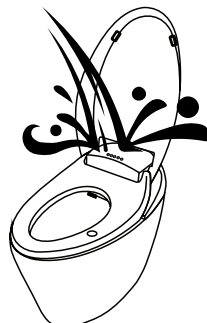
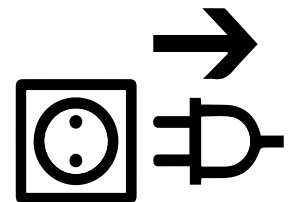
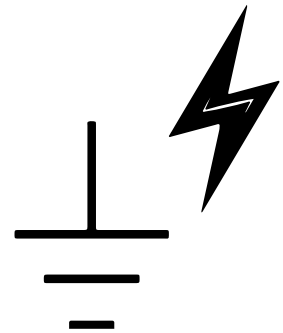
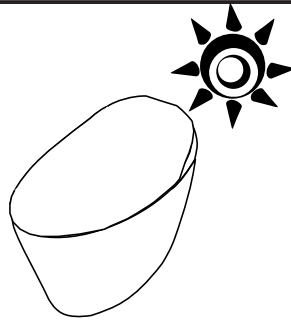


ATTENTION!
BEFORE INSTALLING THE PRODUCT, YOU MUST READ AND UNDERSTAND CAREFULLY ALL BELOW WARNINGS.

1. It is forbidden to disassemble toilet by yourself.
2. Please do not set this product in a wet place, because it is an electronic product. If set in the bathroom, please insure that there is proper air flow.
3. Please insure that the product is set more than 0.6 meter away from the bathtub.
4. Please make sure electric power is AC 120V. Ensure the electrical socket can bare a load of 1500W power (or else it can cause fire or electrical shock).
5. Please make sure the electrical source is well grounded.
6. Please do not put any water or detergent on the product or its electrical plug.
7. Do not touch the electrical plug with a wet hand (or else it can cause fire or electric shock).
8. Do not use the product if it has these following problems. When any of the following problems occur, turn off the electricity and close the water valve.
 - Water leaking from the pipe or the main body.
 - Crack or breakage
 - Abnormal sound or smell of the product
 - Smoke coming out from the product
9. Keep any flame or flammable products away from the toilet.
10. Please do not step on the toilet seat, the seat cover, the main body, or put anything heavy on the product. Otherwise, the product may break and may cause injury or the product may break and may cause indoor flooding.
11. Please do not put your finger or anything else into the outlet of the drying blower.
12. Please do not touch or cover the drying blower outlet with clothes, or it may lead to burn injury or electric shock.
13. Please do not tightly bend or press the flexible supply hose, or it may lead to water leakage or it may decrease the water pressure.
14. Please clean the product with soft cleaning products.
15. Please do not use any harsh detergents to clean the product.
16. Please do not throw anything other than toilet paper into the toilet or it may lead to blockage and indoor flooding.
17. Please be careful to not let objects like a comb, toothbrush or other stuff fall into the toilet.

WARNING

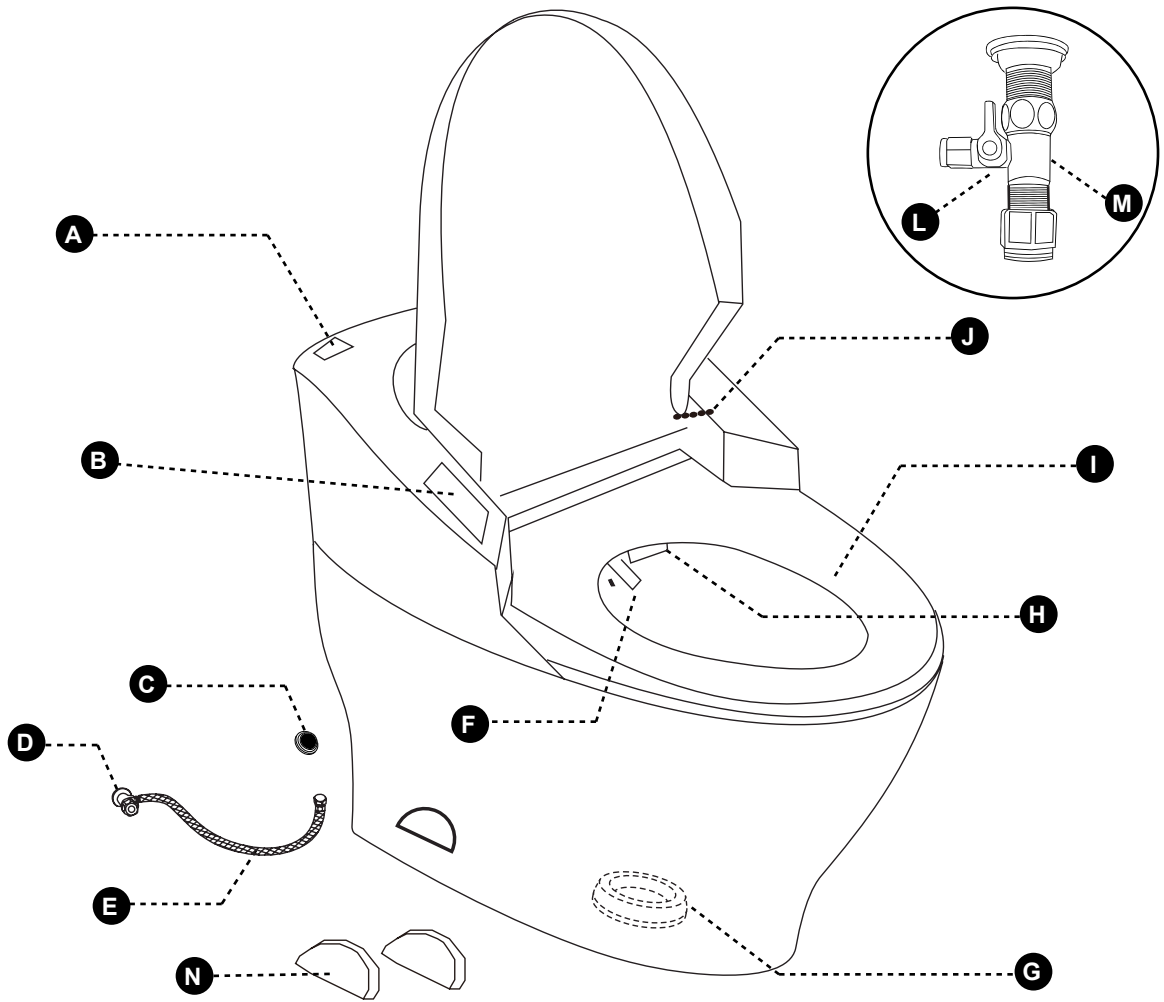
<p>Do not leave the toilet exposed to the sun. May cause yellowing or color fading.</p> <p>Direct sunlight affects the good functioning of the remote.</p>	<p>To prevent against power surge damages, make sure the ground is working in the power socket.</p>
<p>Radio or transmitting devices may interfere with the toilet's remote control functions</p>	<p>If you do not plan to use the toilet for a long time, close the inlet water valve and unplug the toilet.</p>
<p>If the power cut off during washing and the nozzle is still out: Do not push it back manually, it will revert to its resting position once the power is back ON.</p>	<p>Do not use DC current. Only AC 120V with load capacity over 1500W are accepted.</p>
<p>If power cuts off during nozzle self-cleaning, the water will continue to flow out. Manually close the inlet water valve of the toilet until power comes back ON.</p>	<p>Do not expose the toilet to freezing temperature. This will void the warranty and damage the piping.</p>
<p>Be careful not to spill water on the top of the toilet: Electronics are located under the plastic cover.</p>	<p>Do not lean on the cover.</p>



PART LIST

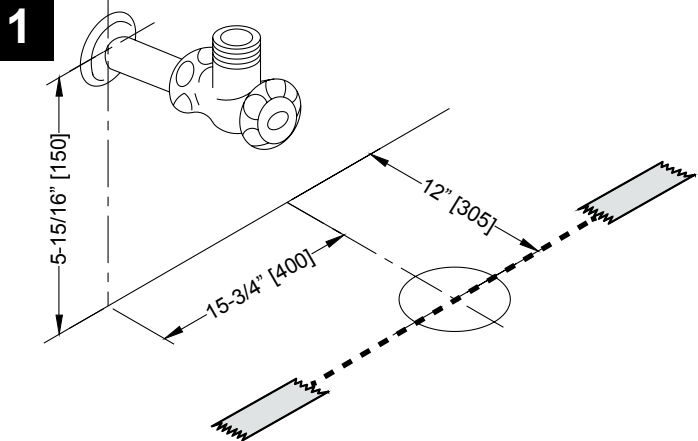


K



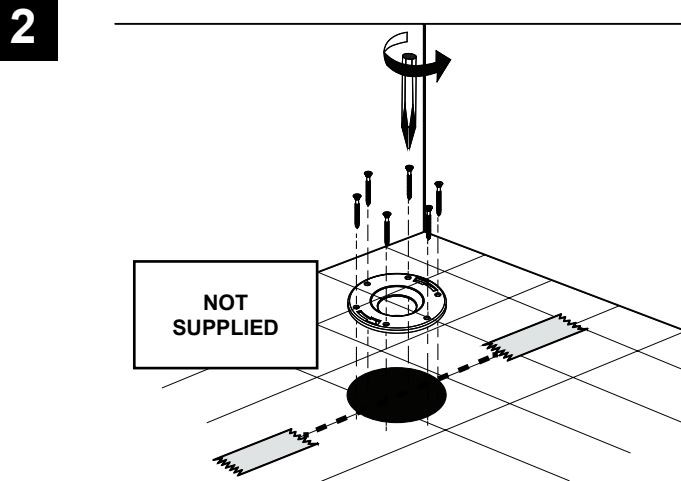
	Item	Qty
A	Remote Receiver	1
B	Control keypad	1
C	Water filter (preinstalled)	1
D	Water inlet valve (not supplied)	1
E	Supply line	1
F	Nozzle	1
G	Seal ring	1
H	Drying air outlet	1
I	Seat	1
J	Light indicator panel	1
K	Remote	1
L	Ball valve	1
M	Check valve	1
N	Side holes covers	2

INSTALLATION INSTRUCTIONS

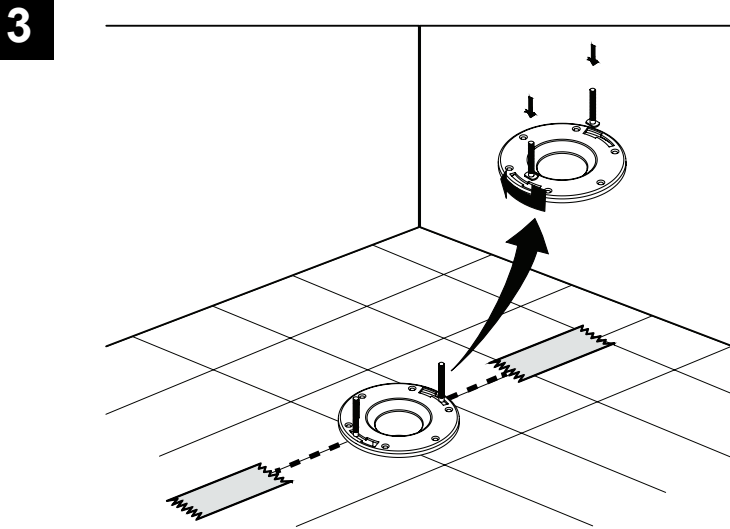


Ensure that your water inlet pipe and your floor discharge drain are installed according to the drawing. These are minimum measurements, the toilet can be installed if your actual measurements are longer than shown.

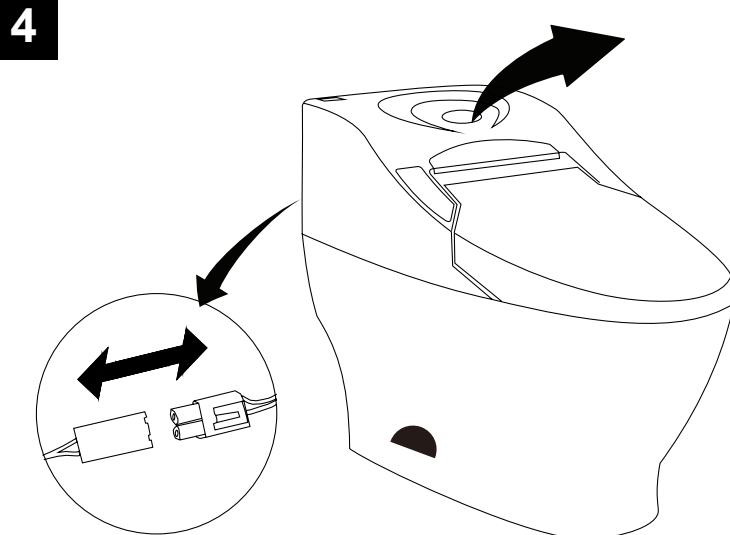
TIP: Align 2 pieces of masking tape with the center of the drain, this will help you position the toilet in future steps.



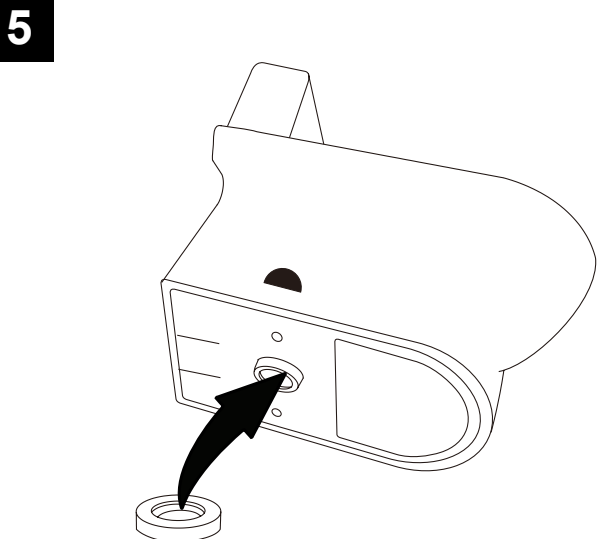
Install the floor flange according to the manufacturer's recommendations.



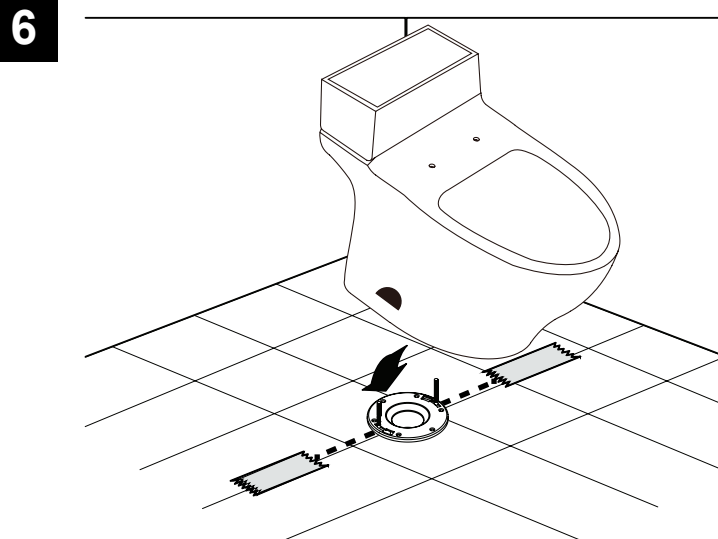
Position correctly the two fixing bolts of the floor flange.



Make sure that the electronics plug behind the toilet is unplugged. Then remove the seat from the ceramic base. Simply pull the seat up gently. Be careful.



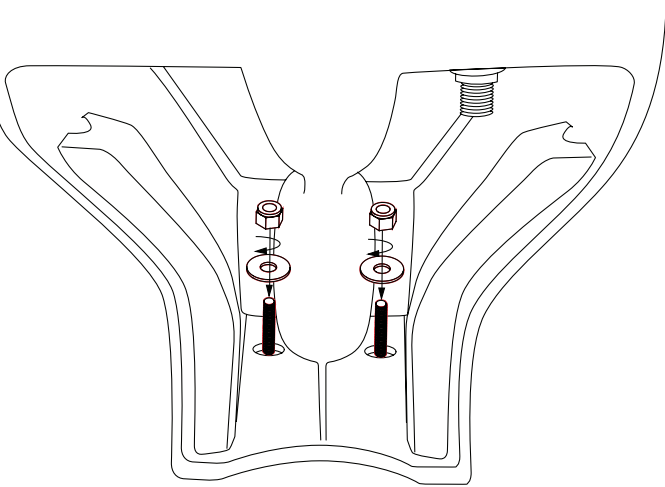
Firmly push the seal ring onto the toilet's drain, fixing the seal ring to the ceramic.



Position the toilet on the floor flange, making sure the fixing bolts are aligned with the toilet's holes.

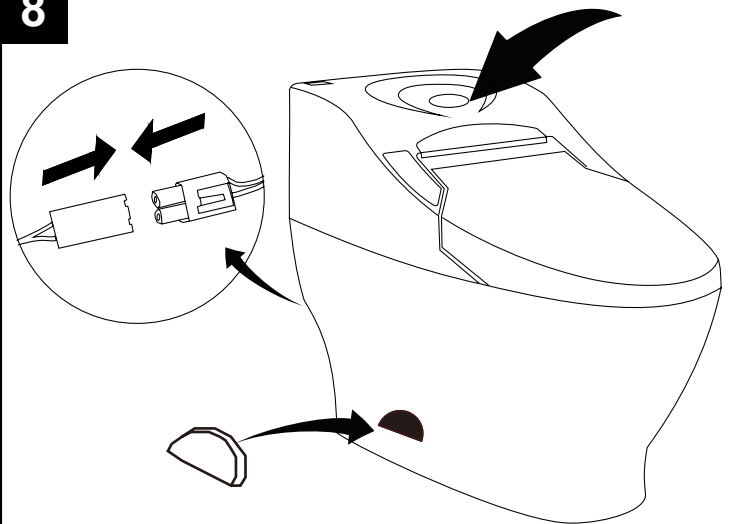
INSTALLATION INSTRUCTIONS

7



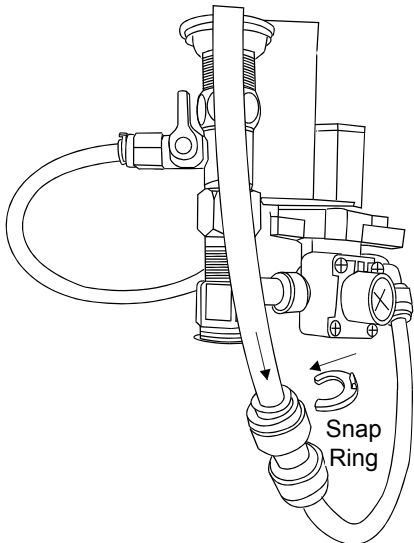
Using a wrench, install the washer and the nuts of the flange bolts through the toilet's side holes. Tightly screw the nut to secure the toilet.

8



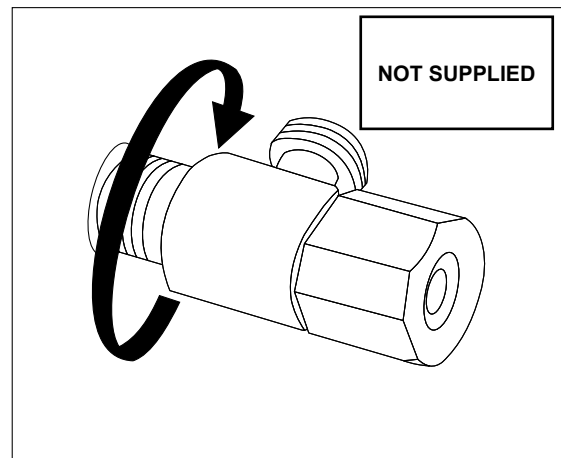
With care, re-install the seat on the ceramic base and connect the electrical plug at the back of the toilet. Then cover the side holes with the supplied covers.

9



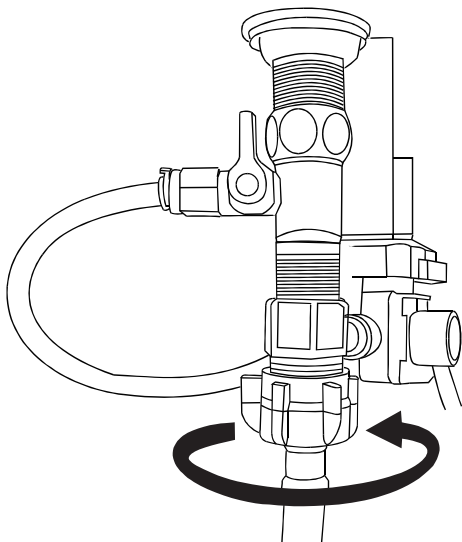
Pull out the snap ring from the connector. Firmly push the bidet water tank tube protruding behind the toilet inside the pressure connector. Then re-insert the snap ring.

10



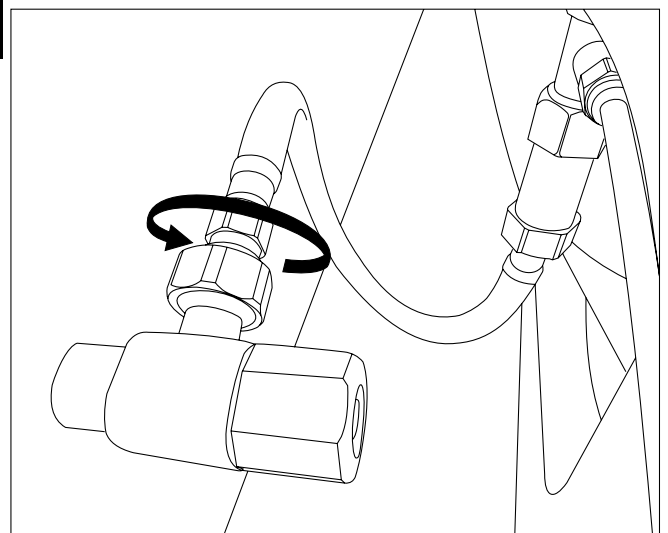
Ensure that you have an existing water inlet valve installed on your water supply pipe.

11



Connect the provided supply line to the water inlet located at the back of the toilet.

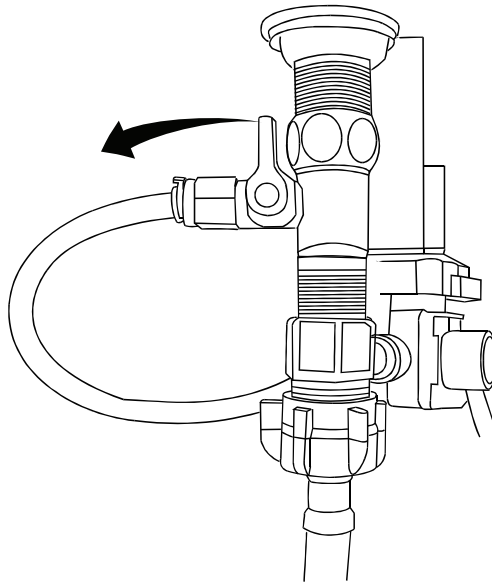
12



Connect the supply line to the water inlet valve.

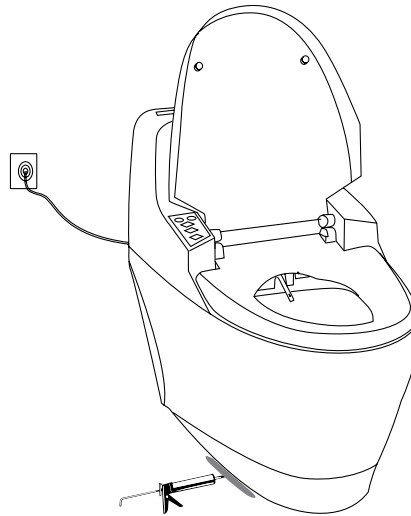
INSTALLATION INSTRUCTIONS

13



Ensure that the ball valve at the back of the toilet is open. Open the water inlet valve and check for leaks.

14



Apply silicone around the base of the toilet.
Wait for 24h for it to dry.



BATTERY INSTALLATION



BATTERY USAGE SAFETY GUIDELINES

1. Always purchase the correct size and grade of battery most suitable for the intended use.
2. Clean the battery contacts and also those of the device prior to battery installation.
3. Remove batteries from equipment which is not to be used for an extended period of time.
4. Remove batteries if consumed or if product is to be left unused for a long time.

15



**2x 1.5V AAA Battery
(NOT INLCUDED)**



Load the remote with two AAA batteries. The battery compartment is located at the bottom back of the remote and is opened by firmly sliding the cover downward.

FIRST TIME USE

1 Open the water supply inlet valve.

2 Plug the toilet in the power socket.

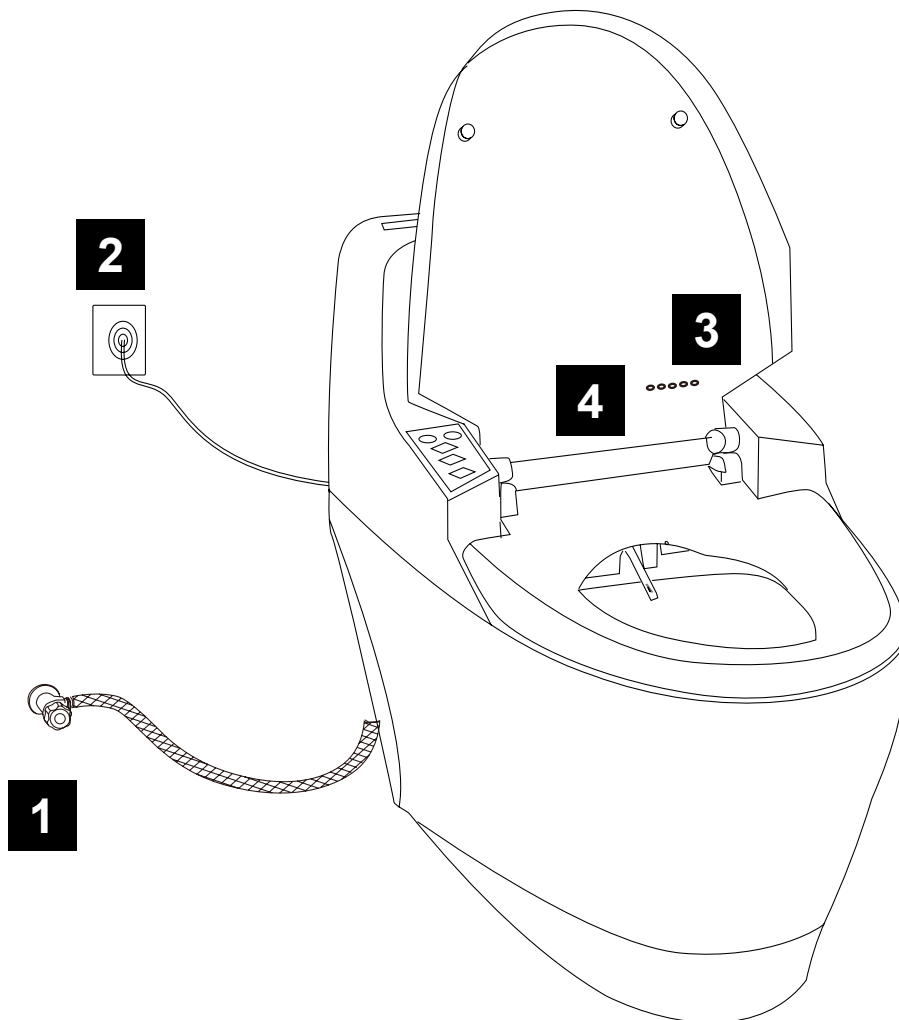
3 The toilet's blue light will start blinking.
The blinking light indicates that the wash tank is filling with water, a sensor in the toilet will stop the filling process automatically after around 3 minutes when the tank is full of water.
After the wash tank is filled with water, the indicator light will stop blinking.

4 The toilet will turn ON automatically. Once the flashing light have stopped, the toilet is ready for use.

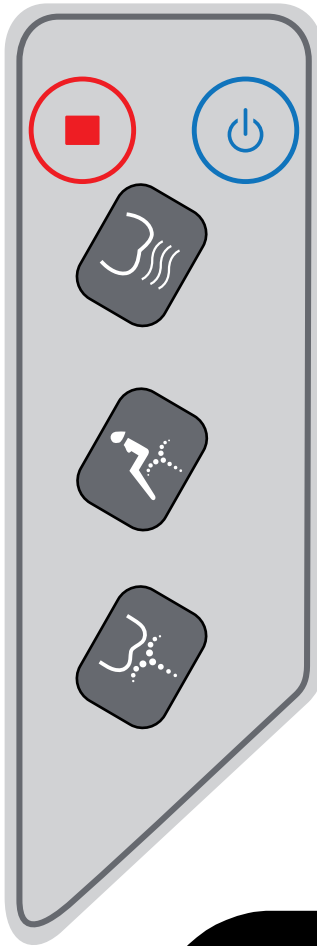


Notice:

- Warming up the toilet seat will take about 3 min.
- Warming up the bidet cleaning water will take about 3 min.
- Leave the power continuously ON to assure all functions are ready for anytime use.



CONTROLS DESCRIPTION



STOP:
Pressing this button will stop any ongoing function.



POWER:
Press 1 time, it will turn the toilet ON.
Press 2 times, it will turn the toilet OFF.



DRY:
Pressing this button will initiate the warm air drying.

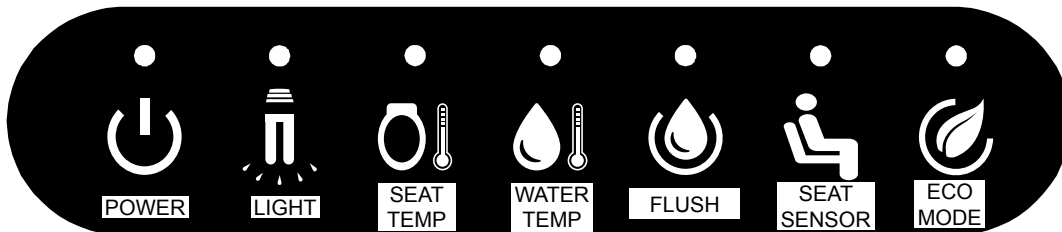


BIDET/MOVE:
Pressing this button will initiate the Static Bidet Cleaning function. Press it again to change to the Back-&-Forth Bidet Cleaning function.
**The Bidet refers the 5 water jets function of the nozzle.*



SPRAY/MOVE:
Pressing this button will initiate the Static Spray Cleaning function. Press it again to change to the Back-&-Forth Spray Cleaning function.
**The SPRAY refers the 1 water jet function of the nozzle.*

LIGHT INDICATOR PANEL



POWER indicator:
The light will turn RED when the toilet is powered ON.
The light will turn off when the toilet is powered OFF.



LIGHT indicator:
The light will turn GREEN when the toilet bowl's light is active.
The light will turn off when the toilet bowl's light is not active.



WATER TEMP indicator:
Below are the different colors the light takes depending on the current setting:
Room Temp = Light OFF
34C (93F) = GREEN
37C (99F) = ORANGE
40C (104F) = RED



SEAT TEMP indicator:
Below are the different colors the light takes depending on the current setting:
Room Temp = Light OFF
34C (93F) = GREEN
37C (99F) = ORANGE
40C (104F) = RED



FLUSH indicator:
The light will turn GREEN when the Flush is active.
The light will turn off when the Flush is not active.

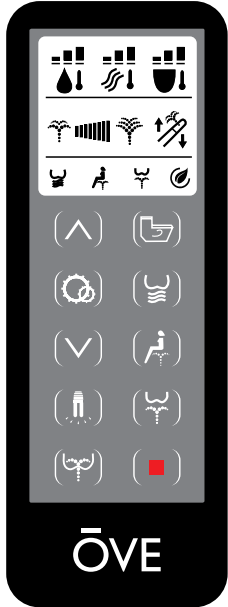


SEAT SENSOR indicator:
The light will turn GREEN when the Seat Sensor is active.
The light will turn off when the Seat Sensor is not active.



ECO MODE indicator:
The light will turn YELLOW when the ECO MODE is active.
The light will turn off when the ECO MODE is not active.

CONTROLS DESCRIPTION



STOP:
Pressing this button will stop any ongoing function.
Pressing this button during the setting mode will quit the setting.



SPRAY/MOVE:
Pressing this button will initiate the Static Spray Cleaning function. Press it again to change to the Back-&-Forth Spray Cleaning function.
**The SPRAY refers to the 1 water jet function of the nozzle.*



BIDET/MOVE:
Pressing this button will initiate the Static Bidet Cleaning function. Press it again to change to the Back-&-Forth Bidet Cleaning function.
**The Bidet refers to the 5 water jets function of the nozzle.*



DRYING:
Pressing this button will initiate the warm air drying.



FLUSH:
Pressing this button will flush the toilet.



UP + :
Pressing this button during the Static Spray will move the nozzle forward.
Pressing this button in the setting mode will increase the temperature or pressure of the selected function.
Pressing this button in the setting mode will turn ON the ECO MODE function.



SETTING:
Pressing this button will enable you to shuffle through the different function settings. Once the icon of a given function is flashing, it is available for adjustments with the UP and DOWN keys. Pressing STOP will quit setting mode.
**Function changing order: Water Temp, Air Temp, Seat Temp, Spray Pressure, Nozzle Position, ECO Mode.*
**If no operation for 10 seconds, the remote will exit the setting mode automatically.*



DOWN - :
Pressing this button during the Static Spray will move the nozzle backward.
Pressing this button in the setting mode will decrease the temperature or pressure of the selected functions.
Pressing this button in the setting mode will turn OFF the ECO MODE function.



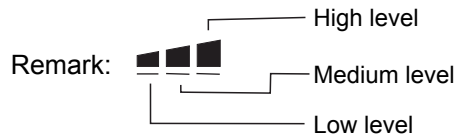
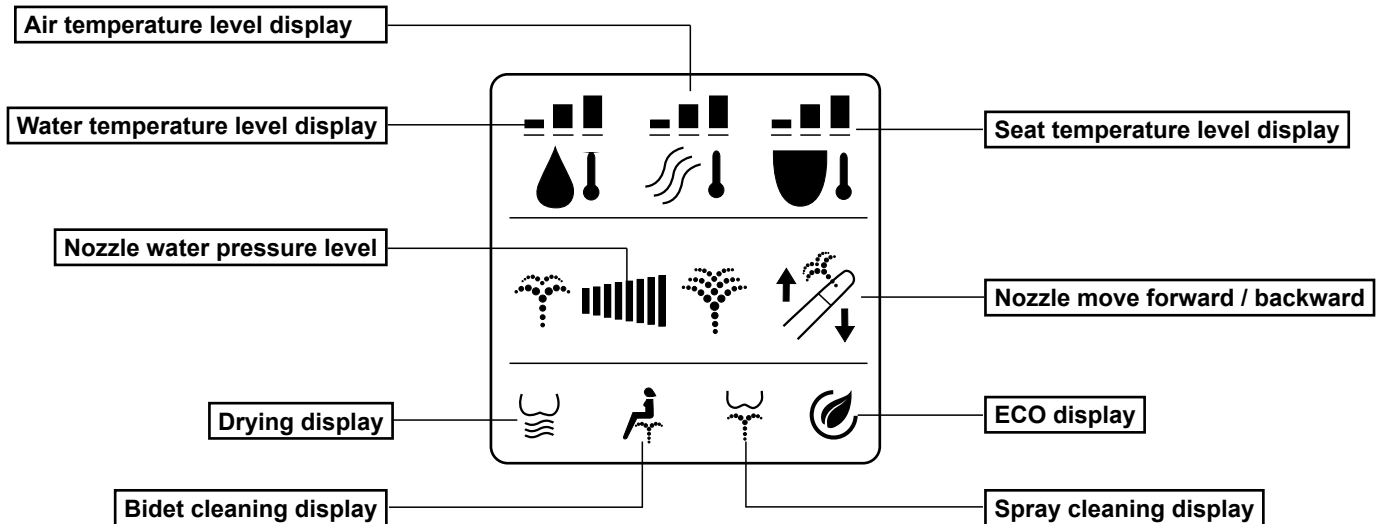
LIGHT:
Pressing this button will turn the toilet bowl's light ON / OFF.



INSTANT BOOST:
Pressing this button will change the Spray water pressure to highest level in one click.

CONTROLS DESCRIPTION

• All the settings from last usage are kept in memory for the next use. The remote control display will turn off automatically. To wake it up, press any button 1 time.



BEEPING SOUNDS DIRECTIONS

1X BEEP = The toilet will give out one beeping sound every time it successfully receives a command from the Remote Control.

2x BEEP = The toilet will give out two beeping sounds every time it has successfully received a command, but cannot execute it. For example, if the Seat Sensor is not active and the user presses the BIDET/MOVE button, the toilet will beep two times because the bidet function cannot be active if the Seat Sensor is not active.

FEATURES



SPRAY CLEANING (1 WATER JET)

This function will only work if the user is sitting on the toilet. Press the SPRAY/MOVE button for spray cleaning. Water will spray and clean the user. Press the button again and the nozzle will move back & forth to ensure the cleanest result. You can use this key stroke to get the best cleaning effect.



BIDET CLEANING (5 JETS OF WATER)

This function will only work if the user is sitting on the toilet. Press the BIDET/MOVE button for bidet cleaning. Water will spray and clean the user. Press the button again and the nozzle will move back & forth to ensure the cleanest result. You can use this key stroke to get the best cleaning effect.

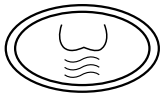
If you are not seated on the toilet seat, the toilet seat sensors will prevent water from squirting out of the nozzle or warm air from flowing out of the dryer.



The nozzle washes itself before and after every use with the programmed automatic nozzle washing cycle.

The spray function will automatically stop after 2 minutes of continuous use. To start it again press the button.

It will take about 10 seconds after pressing the BIDET/MOVE or SPRAY/MOVE button before water starts to spray out of the nozzle. Please be patient.

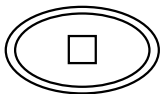


AIR DRYING

This function will only work if the user is sitting on the toilet. Press the DRYING button for air drying. The air will dry the user.



If you press the DRYING key while the toilet is flushing, you will need to wait about 10 seconds before warm wind starts to flow out of the dryer.



STOP

Pressing the stop button at any time will automatically stop all functions.



The toilet will keep spraying for 1-2 seconds after you stand up, so be sure to press the STOP button before standing up from the toilet seat, during the cleaning process.



FLUSHING

Press FLUSHING button before using smart toilet will clean the bowl with water automatically.



LIGHT

Pressing the LIGHT button on the remote control board will turn ON the toilet's light, pressing the button again will turn it OFF.

INTELLIGENT FEATURES

ECO MODE

ECO MODE will cut down the electricity usage of your smart toilet during times of none-usage. The cleaning water tank will start heating the water only once the user is sitting on the toilet, whereas in normal mode, the cleaning water is kept to your preferences for your instant enjoyment.



SOFT CLOSE DESIGN

The toilet seat and seat cover have a soundless soft close design that prevents them from falling rapidly and denting or scratching the toilet.



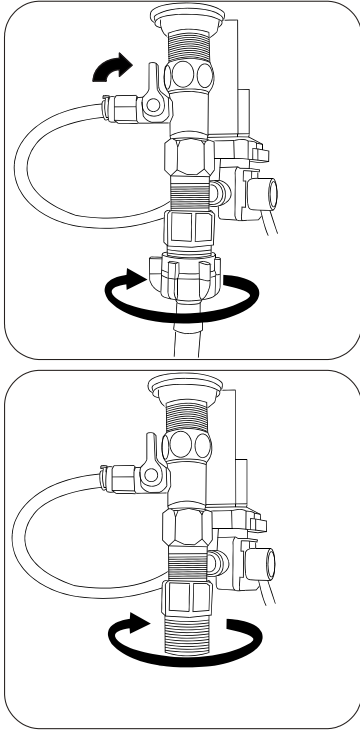
ANTI-MICROBIAL SEAT

The toilet's seat is coated with an eco-friendly anti-microbial polymer preventing the growth of any microbe on the seat. Clean by design, for your peace of mind.

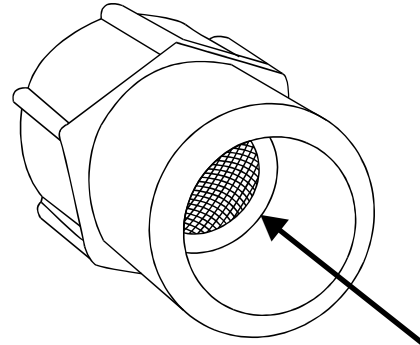


CHANGING THE FILTER

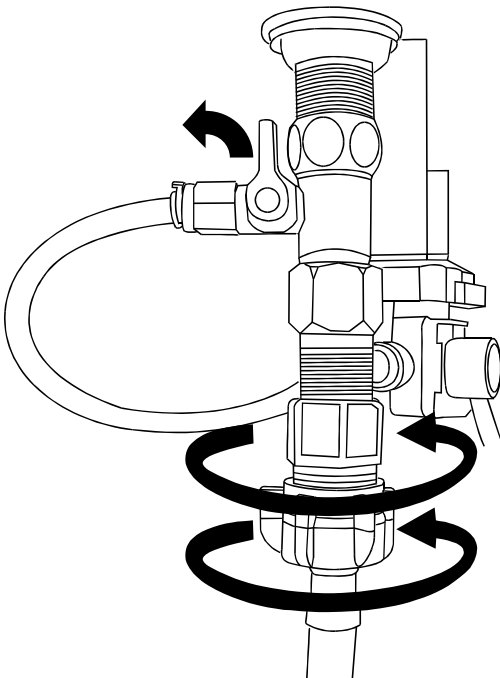
- 1** Close water inlet valve on your wall, and the ball valve at the back of the toilet. Unscrew the supply line and the 7/8" adaptor at the back of the toilet.



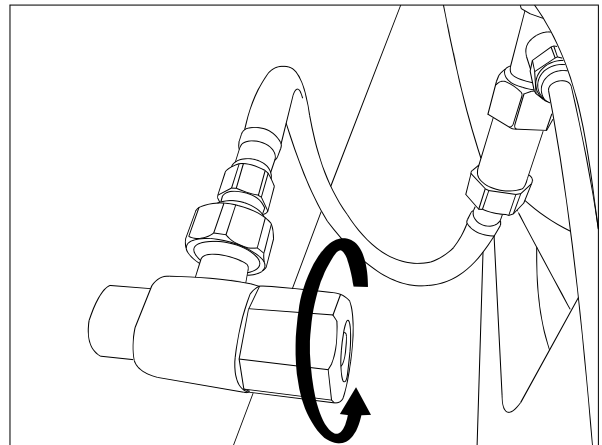
- 2** The water filter is located inside the 7/8" adaptor. Gently remove it and gently brush it with a toothbrush to remove any residue. Place the filter back inside the adaptor.



- 3** Reconnect the 7/8" adaptor and the water supply line to the toilet's water inlet. Open the ball valve at the back of the toilet.



- 4** Open the water inlet valve and check for leaks.

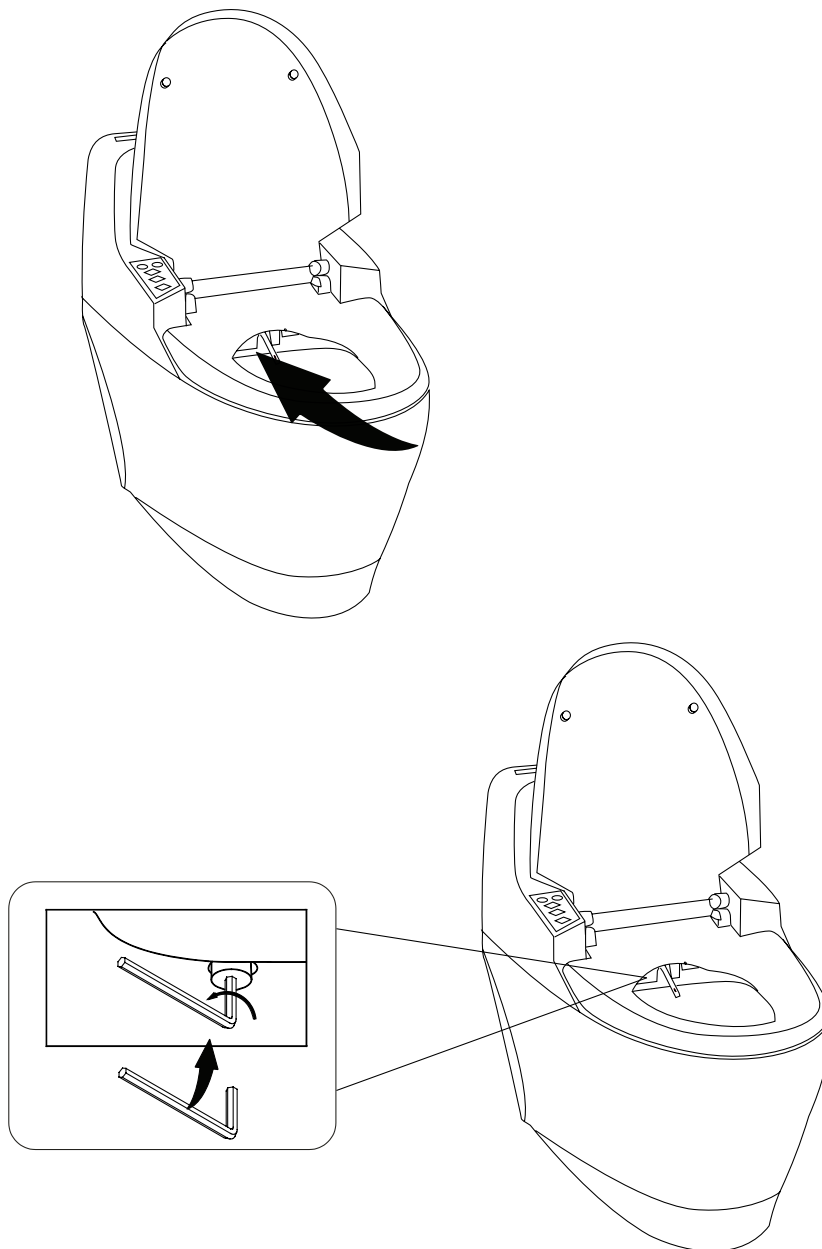


LONG TERM STORAGE

In order to prevent any damages that may be caused from frozen toilet water, please drain away the remaining water according to the following methods.

When leaving for a long time without using this toilet, please make sure to drain all the water from the toilet.

1. Close water inlet valve.
2. Unfasten the nut with a Allen key and remove the water drain bolt.
3. After draining all the water, please tightly screw the water drain bolt back into place.
4. Make sure to drain all water from the toilet, including the water in the tank for the bidet/spray cleaning, also any water left in the seals or grooves, dry with towel.



SPECIFICATION SHEET

Item	Content
<i>Electric Load</i>	AC 120V / 1140W / 60HZ
<i>Electric Cord</i>	1.2 m insulated power cord
Cleaning System	
<i>Spray Cleaning (1 jet)</i>	Water amount adjustment 0.4-1.0 L/min (water pressure 0.19 MPa / 27.6 psi)
<i>Bidet Cleaning (5 jets)</i>	Water amount adjustment 0.5-1.0 L/min (water pressure 0.19 MPa / 27.6 psi)
<i>Water Temp</i>	From ambient temperature to 40 C
<i>Heater Capacity</i>	AC 120V / 850W / 60HZ
<i>Cleaning Tank Capacity</i>	2 L
<i>Overheating Safety</i>	Temperature safety reset protector integrated. Toilet will shutdown if temp. is out of specs.
<i>Anti-Reflux</i>	Anti-Reflux check valve integrated.
Drying System	
<i>Drying Air Temp</i>	From ambient temperature to 55 C
<i>Air Speed</i>	4 m/s
<i>Heater Capacity</i>	AC 120V / 240W / 60HZ
<i>Overheating Safety</i>	Temperature Fuse
Heating Seat	
<i>Seat Temp</i>	From ambient temperature to 40 C
<i>Heater Capacity</i>	AC 120V / 45W / 60HZ
<i>Overheating Safety</i>	By design
Limitations	
<i>Water Supply Pressure</i>	Lowest water pressure is 0.1MPa (14.5 psi), highest water pressure is 0.5MPa (72.5 psi)
<i>Water Supply Temp</i>	10-35 C
<i>Ambiant Temp</i>	10-40 C

OVE LIMITED Product Warranty – United States Only

OVE is a distributor of the following Product:

OVE Smart Toilet Ebba

Warranty Period: 2 years from date of sale to first retail purchaser.

Limited Warranty: OVE warrants to the original retail purchaser that within a reasonable time after notification from purchaser, OVE will repair or replace the Product, or any part or component of the covered Product, distributed by OVE which is proven to the satisfaction of OVE to be defective in workmanship or materials, and which has failed during normal use and within the warranty period. This Limited Warranty does not apply to Products that have been damaged, or which fail, as a result of causes other than manufacturing defects (such as but not limited to improper installation including damage to finishes; lack of or improper care or maintenance; exposure to elements including corrosive products, environments or external water damage; external causes or impact such as electrical surges, fire or impurities in the water supply, alteration; abuse or misuse). The warranty commences on the first date a Product is purchased by the customer. This warranty applies exclusively to products purchased and used in the United States.

Warranty Claim Procedure: To make a claim please email OVE at **customerservice@ovedecors.com** or call us at **1-866-839-2888** to trouble-shoot the issue and start the claim process. Products may be inspected or evaluated by OVE and any Product, part or component found to meet the above warranty criteria will be repaired or replaced at OVE's option. Replacement or repaired parts will be shipped at no cost to customer via ground freight to US destinations only. Any expedited methods of shipments are customer's expense.

DISCLAIMER AND EXCLUSION OF WARRANTIES: This warranty is meant to be a complete and exclusive statement of the terms of all limited warranties offered by OVE.

To the fullest extent permitted by law, other than the express warranty set forth in this instrument there are NO WARRANTIES, EXPRESS OR IMPLIED, INCLUDING ANY IMPLIED WARRANTIES OF MERCHANTABILITY OR FITNESS FOR A PARTICULAR PURPOSE EXTENDED BY OVE. Some states do not allow the exclusion of, or limitations to the duration of, implied warranties so the above limitation may not apply to you.

This warranty gives you specific legal rights. You may also have rights, which may vary under applicable state or national legislation, which cannot be disclaimed or modified by the above Disclaimer. Except as permitted, the Disclaimer is not intended to waive, modify, release or limit the applicability of preemptive state or national legislation inconsistent with the terms of this Limited Warranty and Disclaimer. However, to the extent permitted by law, no implied warranties of merchantability or fitness are intended or extended hereunder. Notwithstanding the Disclaimer if any implied warranty is imposed by operation of law, to the extent permitted, the duration of such implied warranties is limited to the shorter of the term of the express warranty or the applicable statute of limitations.

The Products listed above are intended to be installed and used for personal, consumer residential use. Use of Products for any other purpose such as commercial purposes voids this warranty. The Limited Warranty is applicable only to the Products listed herein, and no warranty is extended to products not distributed by OVE. The warranty is applicable only to the first retail purchaser.

Transferability: This warranty is not transferrable.

LIMITATION AND EXCLUSION OF REMEDIES AND DAMAGES: OVE's sole responsibility under this Limited Warranty shall be to evaluate, inspect, repair and/or replace, at its option, any defective Product, part or component. In certain instances OVE reserves the right to provide refurbished parts. Purchaser agrees that this is the sole and exclusive remedy under this Limited Warranty. OVE will not be responsible for any incidental, consequential, special or indirect damages, including loss of use as a result of any manufacturing defect in a Product. OVE will not be responsible for labor, or any other fees associated with the removal or installation of the warranted Product, parts and/or components. Some states do not allow the exclusion or limitation of incidental or consequential damages, so this limitation may not apply to you.

Product modification: OVE reserves the right to change, modify or improve the Products without obligation to incorporate such changes in Products previously sold or installed.

Authority and Modification: The retail seller is not the agent of OVE and is not authorized to vary or modify the terms of the Limited Warranty. In addition, the retail seller cannot bind OVE or make any representations or promises about the Product that are binding on OVE.

INSTALLATION PICTURE



Save this manual for future reference
Conservez ce manuel pour usage ultérieur
Conserve este manual para futura referencia



HEAD OFFICE / SIÈGE SOCIAL / OFICINA PRINCIPAL
2800 Etienne Lenoir, Laval
Quebec H7R 0A3 Canada

Customer service / Service à la clientèle / Service al cliente
Tel.: 1-866-839-2888
Fax: 1-866-922-9990
customerservice@ovedecors.com

*8:00 am - 5:00 pm E.S.T Monday - Friday
8 h à 17 h HNE, du lundi au vendredi
8 h a 17 h HDE, de lunes a viernes*

*English and French speaking representatives available
Représentants disponibles en Anglais et Français
Representantes disponibles para inglés y francés*

KEEP THIS INFORMATION
CONSERVEZ CES INFORMATIONS
CONSERVE ESTA INFORMACIÓN

Purchase date

Date d'achat

Fecha de compra

Product Tracking Reference

Suivi et référence du produit

Numero de referencia
