



Harbor Breeze® is a registered trademark of LF, LLC. All Rights Reserved.

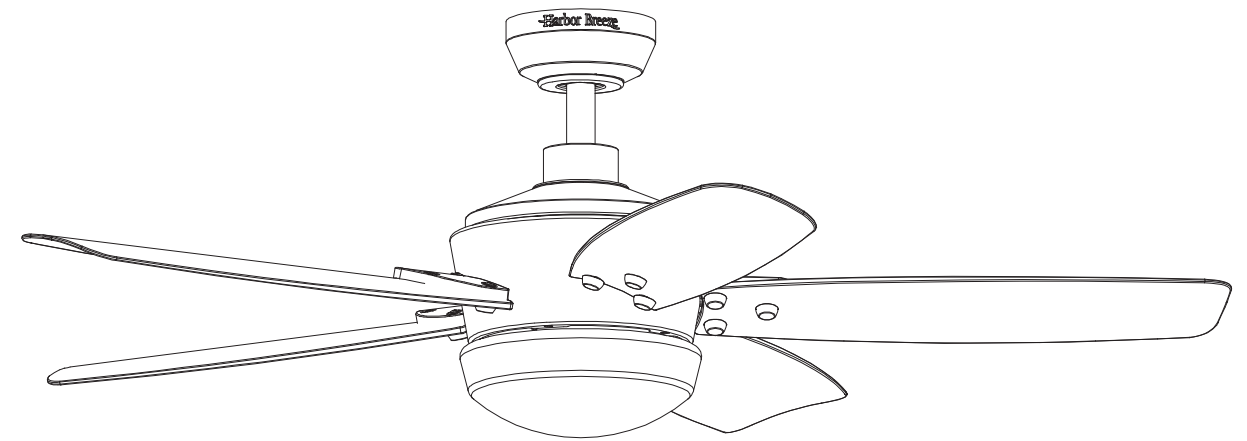
ITEM #0883772

SARATOGA CEILING FAN

MODEL #00598

UL MODEL #48-STG

Español p. 16



ATTACH YOUR RECEIPT HERE

Serial Number _____ Purchase Date _____



Questions, problems, missing parts? Before returning to your retailer, call our customer service department at 1-800-643-0067, 8 a.m. - 6 p.m., EST, Monday - Thursday
8 a.m. - 5 p.m., EST Friday

TABLE OF CONTENTS

Safety Information.....	2
Package Contents.....	4
Hardware Contents.....	5
Preparation	5
Assembly Instructions.....	6
Operating Instructions	13
Care and Maintenance	14
Troubleshooting.....	14
Warranty.....	15
Replacement Parts List	15

SAFETY INFORMATION

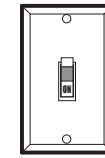
READ AND SAVE THESE INSTRUCTIONS

Please read and understand this entire manual before attempting to assemble, operate or install the product.

- When using an existing outlet box, be sure the box is securely attached to the building structure and can support the full weight of the fan, so to avoid potential serious injury or death.
- All wiring must be in accordance with the National Electrical Code “ANSI/NFPA 70” and local electrical codes. Electrical installation should be performed by a qualified licensed electrician.
- DO NOT use bulbs with wattage greater than the maximum value stated on the fixture and in this manual. Using a higher wattage bulb than specified will increase fixture temperature and cause risk of fire.
- Disconnect the electrical supply circuit to the fan before installing kit.
- Electrical diagrams are for reference only.
- Suitable for use in damp locations.
- Use only with light kits marked suitable for use in damp locations.
- The net weight of this fan including the light kit is: 18.96 lbs.

WARNING

- Suitable for use with solid-state speed controls.
- WARNING - To reduce the risk of electric shock, this fan must be installed with an isolating wall control/switch.
- ELECTRIC SHOCK HAZARD - To reduce the risk of electric shock, make sure the electricity has been turned off at the circuit breaker or fuse box before beginning installation.
- PERSONAL INJURY HAZARD - To reduce the risk of injury to persons, install fan so that the blades are 7 ft. above the floor.
- ELECTRIC SHOCK HAZARD - Do not install this fan with variable speed wall control or wall-mounted dimmer switch. It will permanently damage the fan’s remote control receiver and cause the fan’s functions to fail.



ON / OFF switch



NO Variable speed wall control



NO Dimmer switch

- FIRE, ELECTRIC SHOCK OR PERSONAL INJURY HAZARD - To reduce the risk of fire, electric shock, or personal injury, mount to an outlet box marked “ACCEPTABLE FOR FAN SUPPORT OF 35.1 LBS. OR LESS” and use the mounting screws provided with the outlet box. Most outlet boxes commonly used for the support of lighting fixtures are not acceptable for fan support and may need to be replaced. Consult a qualified licensed electrician if in doubt.

CAUTION

- PERSONAL INJURY HAZARD - To reduce the risk of personal injury, do not bend the blade arms when installing the brackets, balancing the blades, or cleaning the fan. DO NOT insert foreign objects in between the rotating fan blades.

This equipment has been tested and found to comply with the limits for a Class B digital device, pursuant to Part 15 of the FCC Rules. These limits are designed to provide reasonable protection against harmful interference in a residential installation. This equipment generates, uses and can radiate radio frequency energy and, if not installed and used in accordance with the instructions, may cause harmful interference to radio communications. However, there is no guarantee that interference will not occur in a particular installation. If this equipment does cause harmful interference to radio or television reception, which can be determined by turning the equipment off and on, the user is encouraged to try to correct the interference by one or more of the following measures:

Reorient or relocate the receiving antenna.

Increase the separation between the equipment and receiver.

Connect the equipment into an outlet on a circuit different from that to which the receiver is connected.

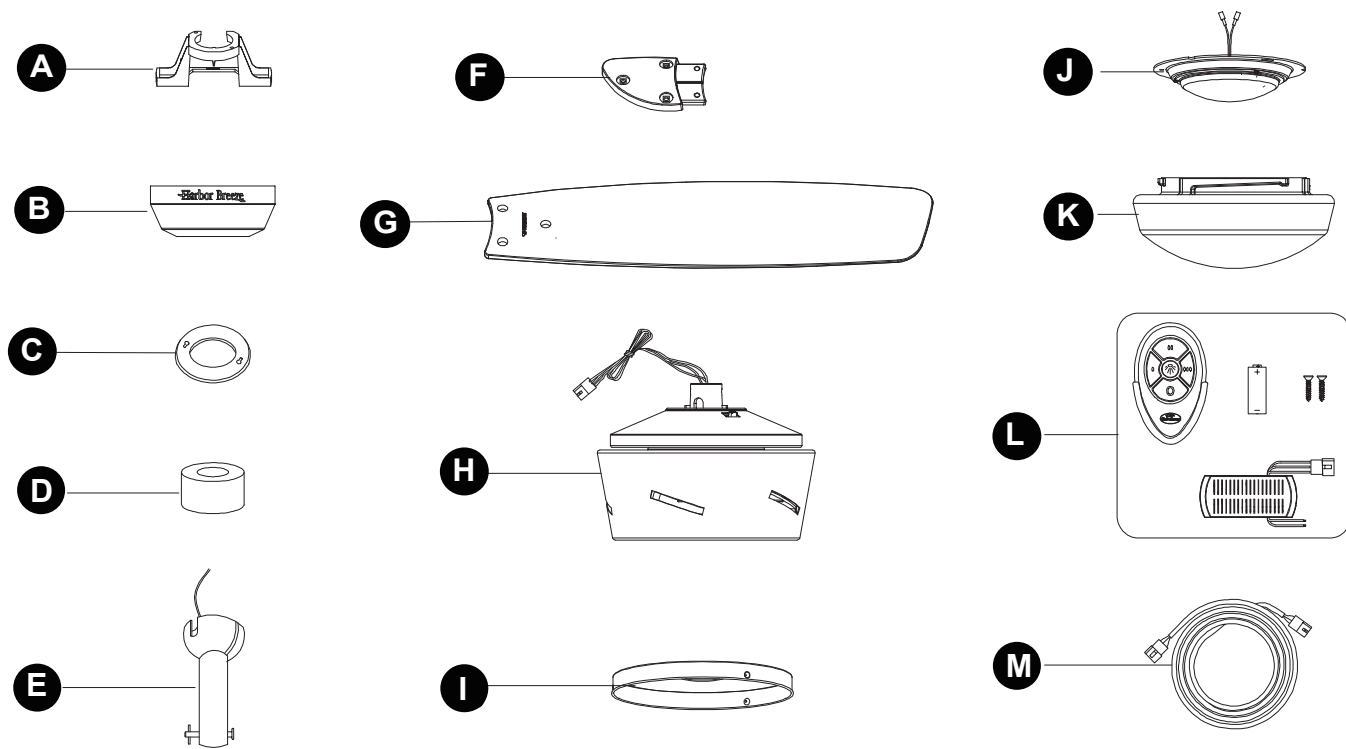
Consult the dealer or an experienced radio/TV technician for help.

CAUTION: Any changes or modifications not expressly approved by the grantee of this device could void the user’s authority to operate the equipment.

This device complies with Part 15 of the FCC Rules. Operation is subject to the following two conditions:

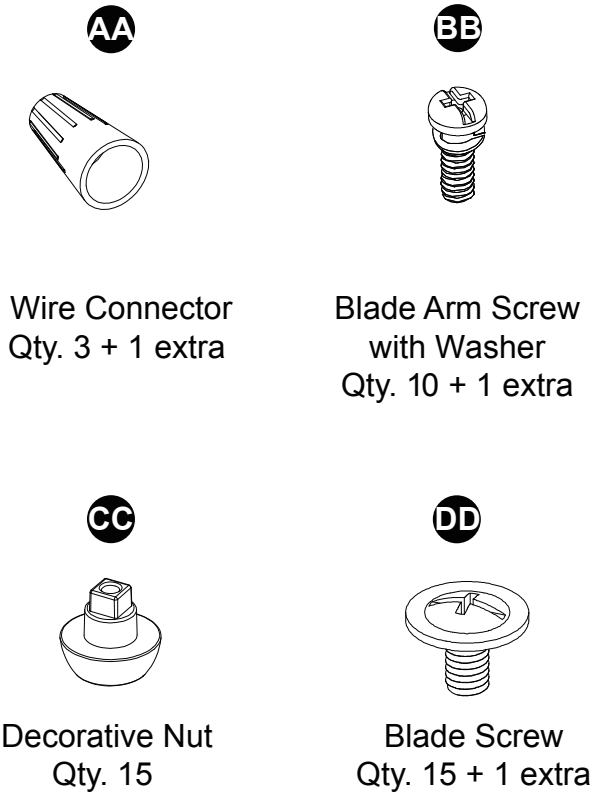
- (1) This device may not cause harmful interference, and
- (2) this device must accept any interference received, including interference that may cause undesired operation.

PACKAGE CONTENTS



PART	DESCRIPTION	QUANTITY
A	Mounting Bracket	1
B	Canopy	1
C	Canopy Cover	1
D	Yoke Cover	1
E	Downrod	1
F	Blade Arm	5
G	Blade	5
H	Fan Motor Assembly	1
I	Fitter Plate	1
J	Light Fixture	1
K	Glass	1
L	Remote Pack	1
M	Lead Wire	1

HARDWARE CONTENTS (shown actual size)



PREPARATION

Before beginning assembly of product, make sure all parts are present. Compare parts with package contents list and hardware contents list. If any part is missing or damaged, do not attempt to assemble the product.

Estimated Assembly Time: 45 minutes.

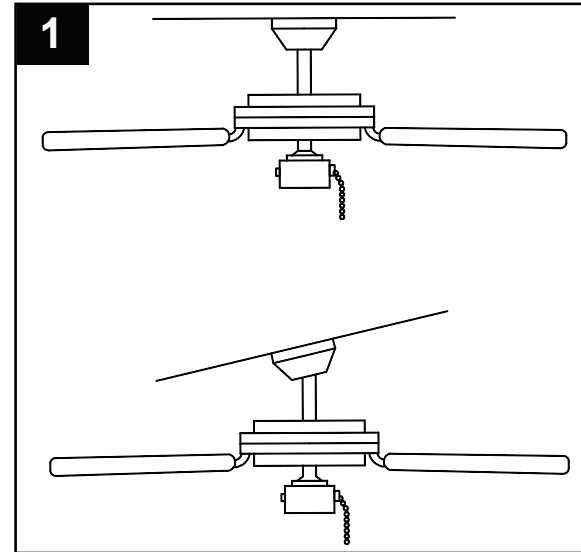
Tools Required for Assembly (not included): Phillips screwdriver, step ladder, electrical tape, pliers, wire cutters, wire strippers.

Helpful Tools (not included): Electrical circuit tester.

ASSEMBLY INSTRUCTIONS

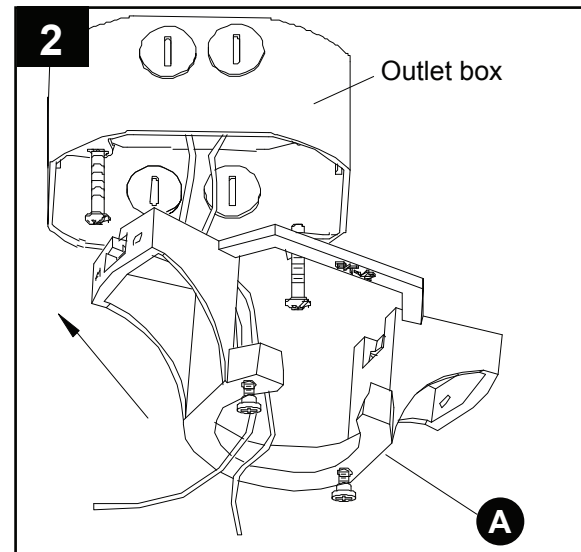
- Determine mounting method.
Downrod Mount (standard or angled ceiling)

Important: If angle mounting, check to make sure the ceiling angle is not steeper than 20°.

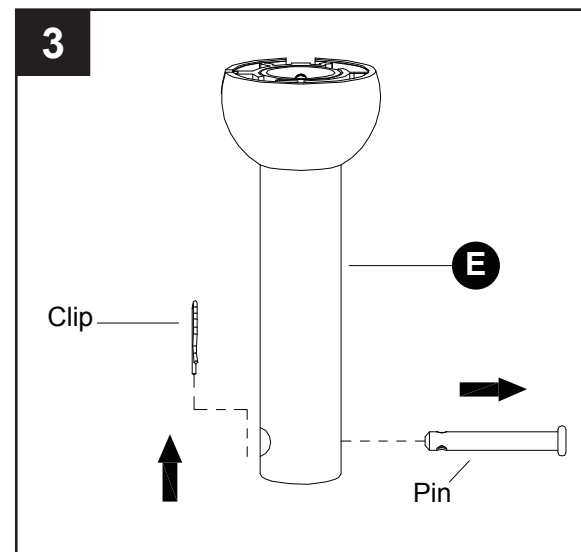


- Install mounting bracket (A) to outlet box (not included by sliding mounting bracket (A) over the two outlet box screws (not included). Securely tighten two outlet box screws.

Important: If angle mounting, make sure open end of mounting bracket (A) is installed facing the higher part of the ceiling.



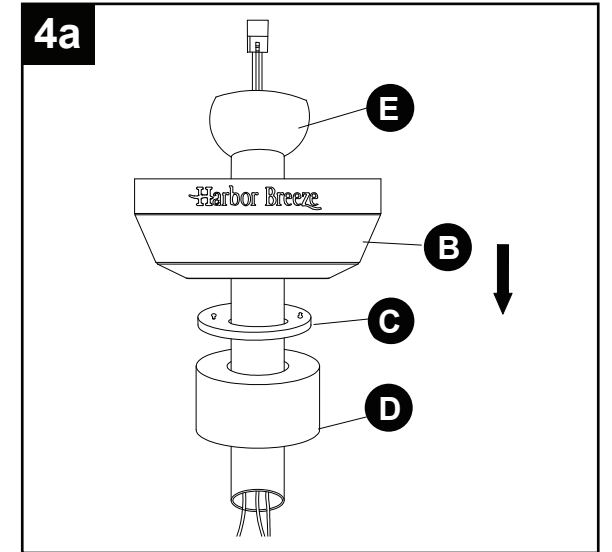
- Remove preassembled pin and clip from downrod (E). Save for later use.



ASSEMBLY INSTRUCTIONS

- STANDARD DOWNROD INSTALLATION:**

Insert downrod (E) through canopy (B), canopy cover (C), and yoke cover (D). Thread wires from fan motor assembly through downrod (E).

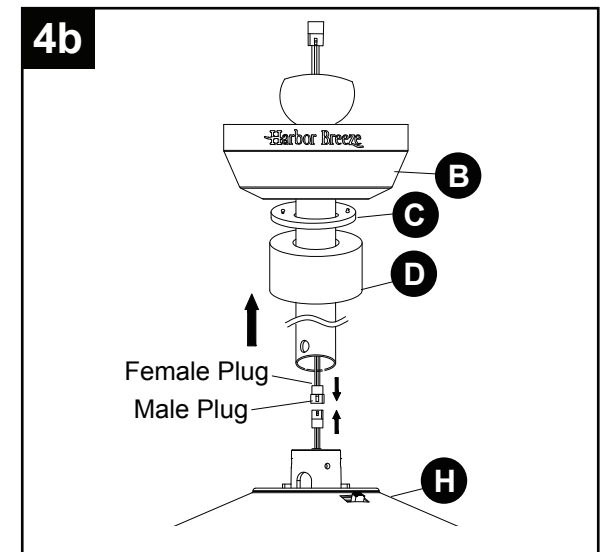


- EXTENDED DOWNROD INSTALLATION:**

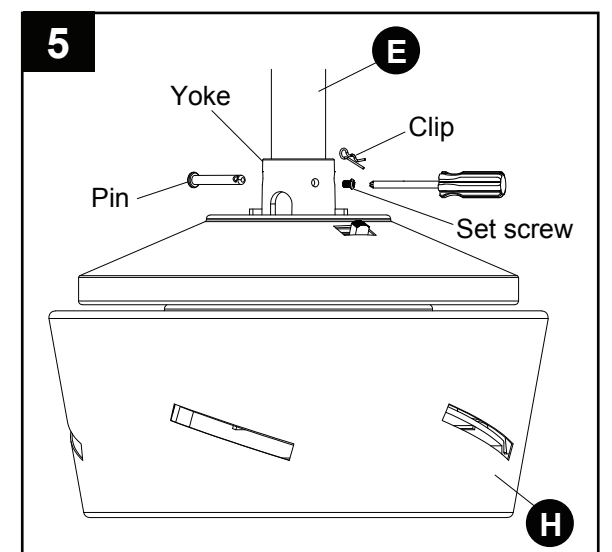
If you are installing the fan with a longer downrod (sold separately), insert it through the canopy (B), canopy cover (C) and yoke cover (D). Then, thread lead wire (N) through the downrod and connect the MALE plug from the top of motor assembly (H) to the FEMALE plug from the lead wire (N).

NOTE: The male plug of the lead wire (N) should extend out of the other end of the downrod.

NOTE: The remainder of the instructions will reference downrod assembly (D), but note all of the instructions are applicable even if an accessory downrod was used.



- Loosen preassembled set screws from yoke on fan motor assembly (H). Slip downrod (E) into housing yoke, aligning holes on both parts. Insert previously removed pin through holes on yoke and downrod (E), then insert previously removed clip into pin until it snaps into place. Tighten set screws.



ASSEMBLY INSTRUCTIONS

6. Install hanger ball on top of downrod (E) into mounting bracket (A) opening. Rotate fan until slot on hanger ball engages the tab on mounting bracket (A).

! DANGER: Be careful when aligning tab to slot. If not fully engaged, the fan could fall, which could result in serious injury or death.

Important: Do NOT use this fan with dimmer switch or variable speed wall control. Using a dimmer switch or variable speed wall control will damage the fan.



ON / OFF switch

NO Variable speed wall control

NO Dimmer switch

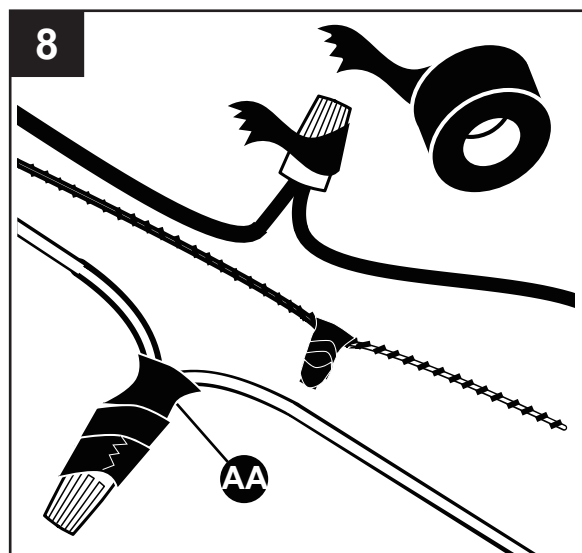
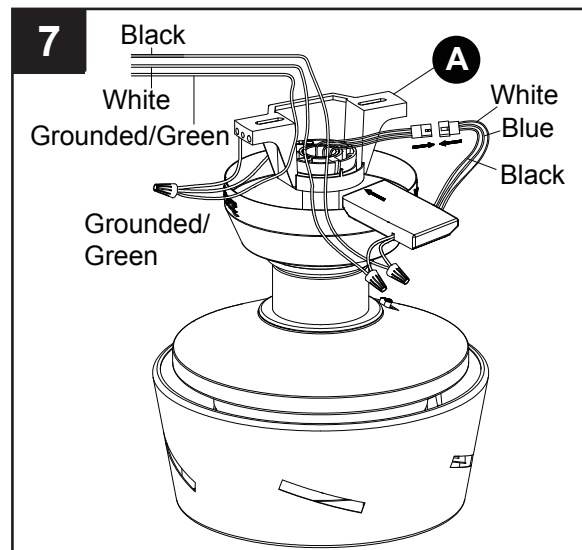
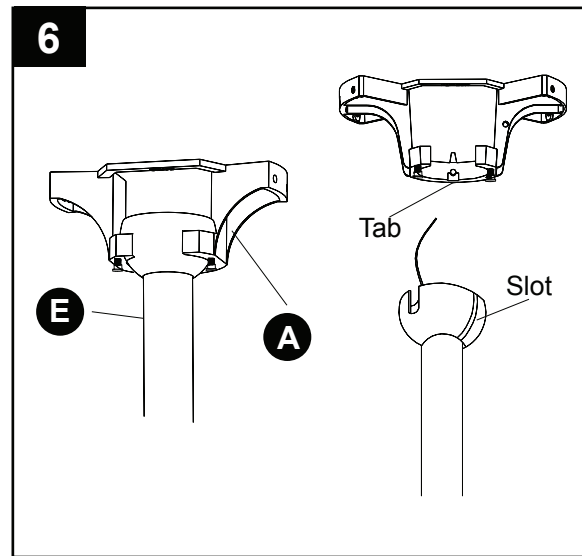
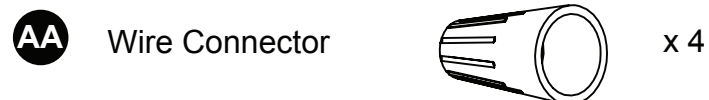
7. Insert the receiver from the remote pack (L) into the mounting bracket (A) with the flat side towards the ceiling. Connect **BLACK** wire from receiver to **BLACK** wire from ceiling. Connect **WHITE** wire from receiver to **WHITE** wire from ceiling. Connect all **GROUND** (**GREEN**) wires together from fan to **GREEN/ GROUND** wire from ceiling. Connect the male plug from fan to female plug from the receiver together.

NOTE: **BLACK** wire is hot power for fan and light kit. **WHITE** wire is common for fan and light kit. **GREEN** wire is grounded wire. If house wires are different colors than referred to above, stop immediately and consult a professional electrician to determine proper wiring.

8. Twist wire ends together and screw wire connectors (AA) on in a clockwise direction. Tape wire connectors (AA) and wires together with electrical tape (not included).

NOTE: After making connections, make sure bare wire or wire strands are NOT visible. Place green and white connections on opposite side of box from black and blue connections. Splices should be turned upward and pushed carefully up into outlet box.

Hardware Used



ASSEMBLY INSTRUCTIONS

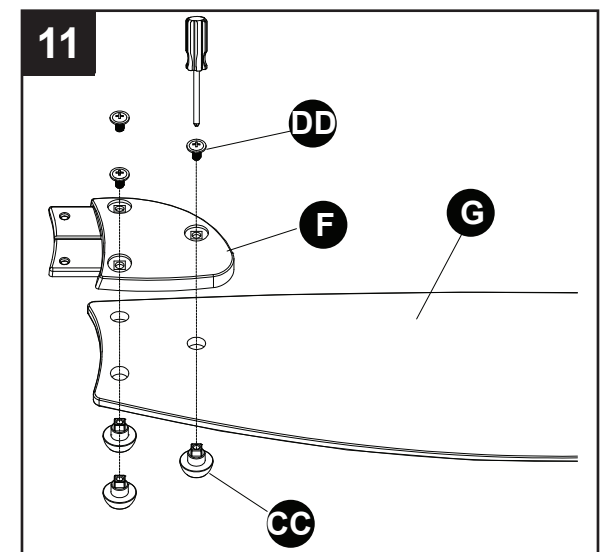
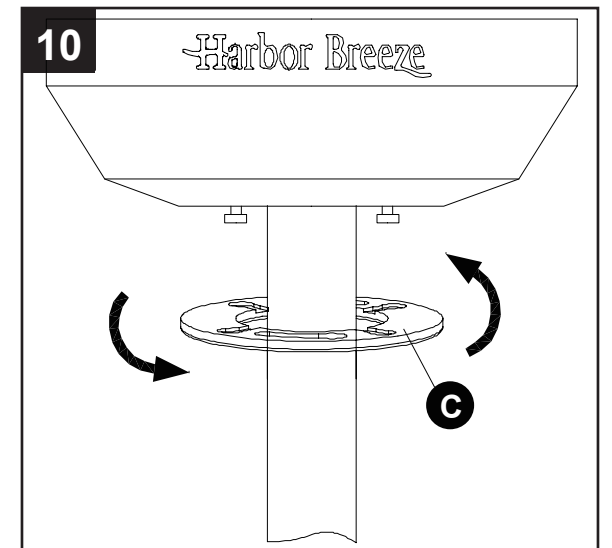
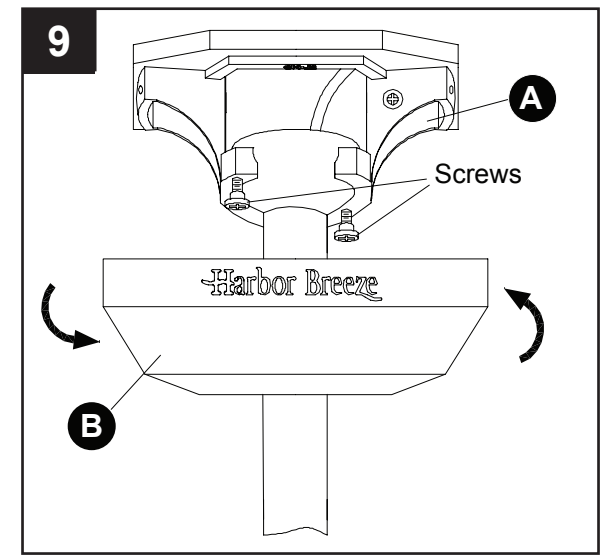
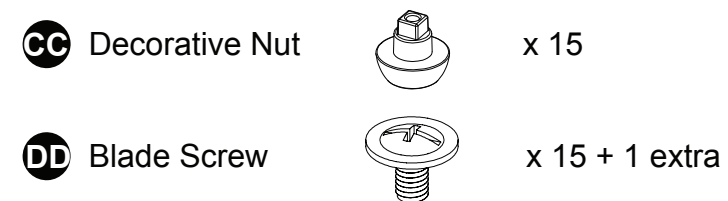
9. Slide canopy (B) up against ceiling and over two screws on mounting bracket (A). Rotate canopy (B) clockwise to lock it into place. Tighten two screws.

10. Slide canopy cover (C) over two screws and rotate clockwise until it locks.

NOTE: Adjust screws as necessary until canopy (B) and canopy cover (C) are snug.

11. Attach blade (G) under blade arm (F) using three decorative nuts (CC) and three blade screws (DD). Repeat for remaining blades (G), blade arms (F), decorative nuts (CC) and blade screws (DD).

Hardware Used

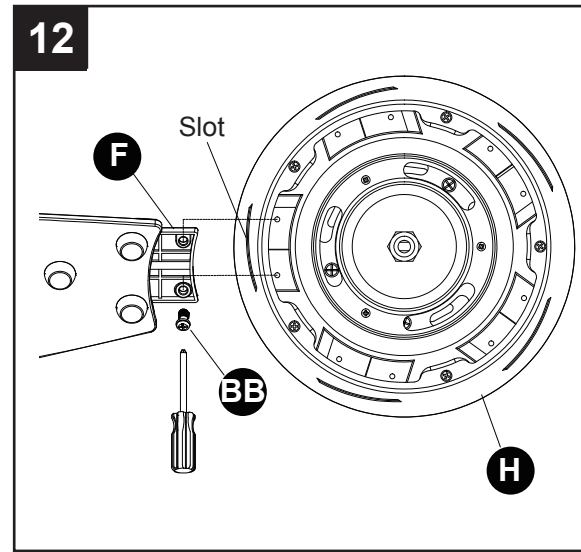


ASSEMBLY INSTRUCTIONS

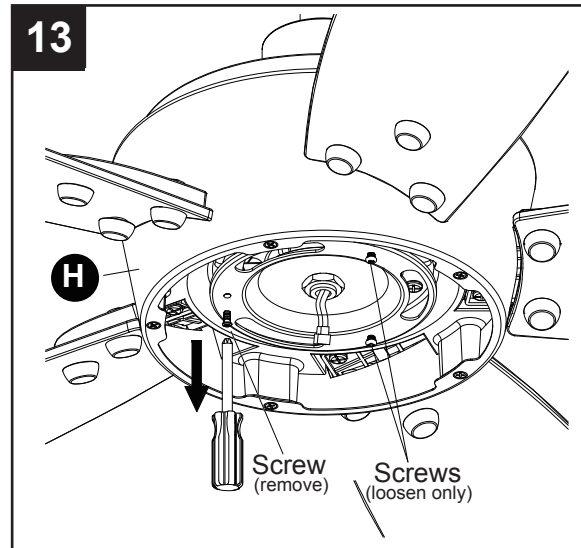
12. Insert blade assembly through slot on fan motor assembly (H) and align two screw holes in blade arm (F) with screw holes in fan motor assembly (H). Secure with two blade arm screws (BB). Repeat for remaining blade assemblies.

Hardware Used

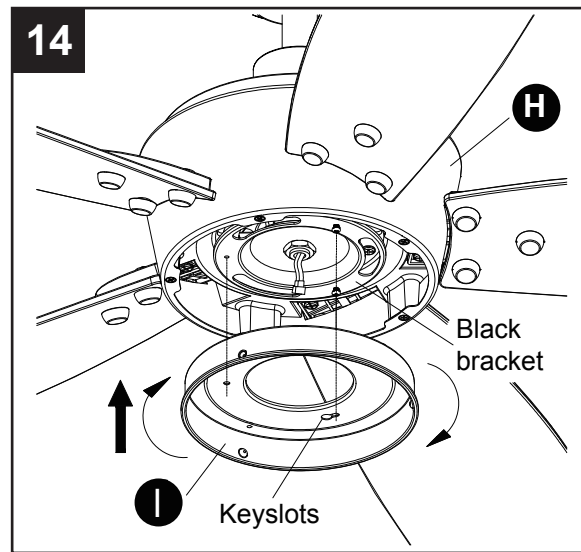
BB Blade Arm Screw  x 10 + 1 extra



13. Loosen two preassembled screws from fan motor assembly (H). Remove and save remaining preassembled screw.

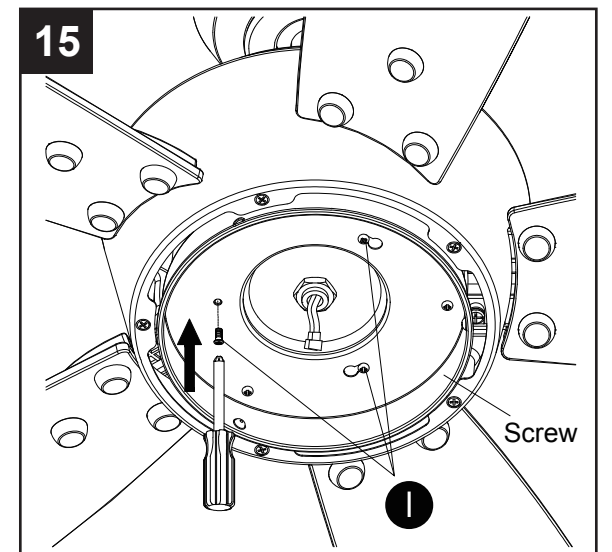


14. Pull the **BLUE** and **WHITE** wires from fan motor assembly (H) through center hole of fitter plate (I). Align two keyslots on fitter plate (I) with two screws on black bracket below fan motor assembly (H).

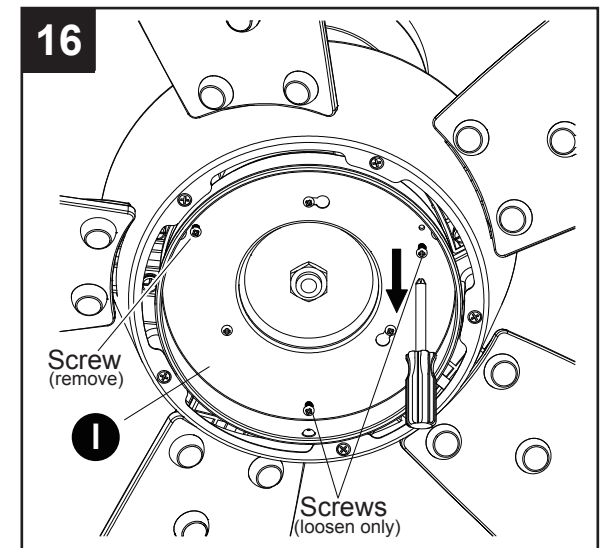


ASSEMBLY INSTRUCTIONS

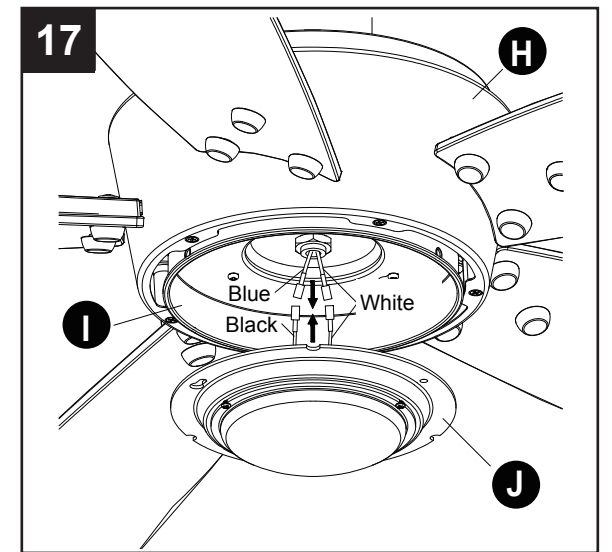
15. Place the fitter plate (I) over two screws and turn clockwise until it locks. Install previously removed screw (Step 13, page 10) and securely tighten all screws.



16. Loosen two preassembled screws from fitter plate (I). Remove and save remaining preassembled screw.

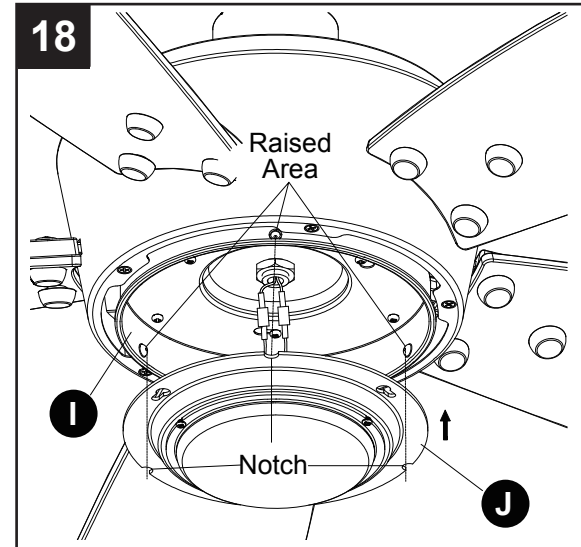


17. Connect **BLUE** wire from fan motor assembly (H) to **BLACK** wire from light fixture (J). Connect **WHITE** wire from fan motor assembly (H) to **WHITE** wire from light fixture (J).

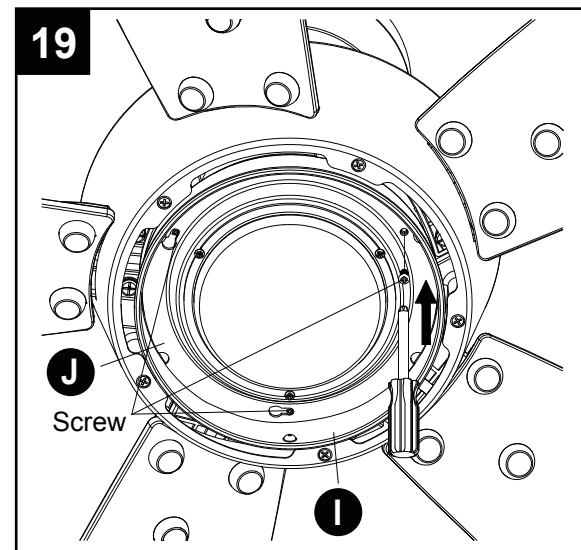


ASSEMBLY INSTRUCTIONS

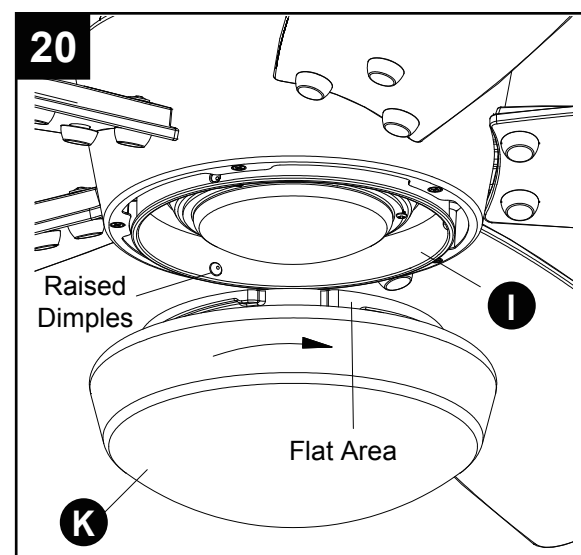
18. Align the notches on the light fixture (J) with raised areas inside the fitter plate (I).



19. Align two key slots on light fixture (J) with two screws on fitter plate (I). Place light fixture (J) over two screws and turn clockwise until it locks. Install previously removed screw (Step 16, page 11) and securely tighten all screws.



20. Place glass (K) into fitter plate (I), aligning three flat areas on top flange of glass (K) with three raised dimples in the fitter plate (I). Turn glass (K) clockwise until it stops.



OPERATING INSTRUCTIONS

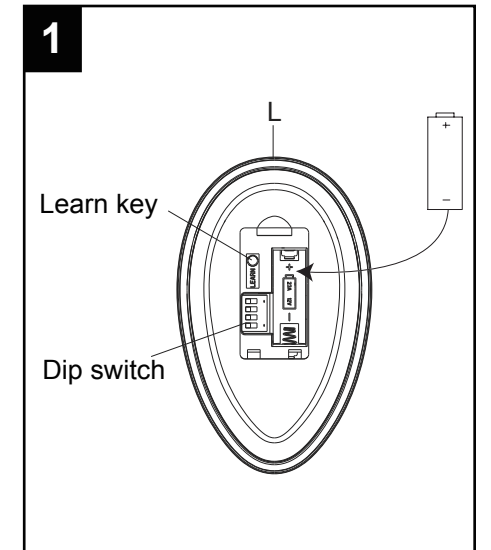
REMOTE CONTROL:

NOTE: If you have more than one remote-controlled fan installed in the same location, you may want to change the frequency of the remote control to avoid any possible interference between remote controls. To change the frequency of the remote control, change the dip switch settings as described below:

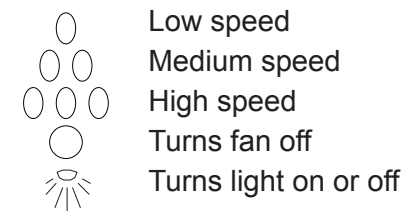
1. Install Battery/Learning Process:

Remove the battery cover from the back of the remote found in the remote pack (L). Insert the battery from the remote pack (L) into the remote; ensure polarity of battery matches the polarity indicated in the battery compartment: positive (+) to positive (+) and negative (-) to negative (-). Replace battery cover.

If you need to change the dip switches in the remote control due to a potential interference issue, slide the dip switches to your choice of either up or down -- the factory setting is up. Within 30 seconds of turning the fan's power on, press and hold the "Learn" button in the remote controls battery compartment for 1 second. Once the receiver has detected the set frequency, the downlight of the fan, if applicable, will blink twice. Replace the battery cover. To confirm the remote control and receiver have paired successfully, press any of the fan speed control buttons on the remote control.

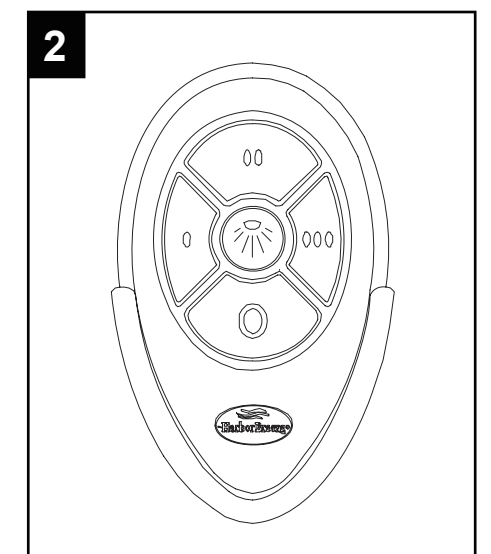


2. Fan Speed Control/Dimmer:



NOTE: For the dimmer function, press and hold the light button. Light will dim. Release the light button when light is at desired level.

NOTE: This remote control has a memory function. The receiver stores the fan speed and light setting when the fan is turned off. When the fan is turned on again, it will start with the most recent settings.

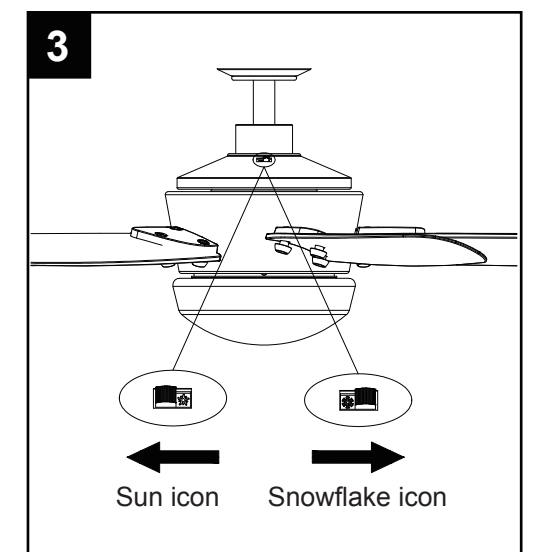


3. Reverse Switch:

When the season changes, you may want to change the direction your fan spins. To switch between clockwise and counterclockwise rotations, flip the fan reversal switch.

WARNING: Wait for fan to stop before reversing the switch.

- In cooler weather, clockwise rotation creates an upward airflow, which moves hot air from the ceiling into the room. Push the switch RIGHT and see a Snowflake icon for clockwise rotation.
- In warm weather, counterclockwise rotation creates a downward airflow, which cools the air. Push the switch LEFT and see a Sun icon for counterclockwise rotation.



CARE AND MAINTENANCE

- **IMPORTANT:** Shut off main power supply before beginning any maintenance.
- DO NOT use water or detergents when cleaning the fan or fan blades. A dry dust cloth or lightly dampened cloth will be suitable for most cleaning.
- Clean fan housing with only a soft brush or lint-free cloth to avoid scratching the finish. Clean blades with a lint-free cloth. You may occasionally apply a light coat of furniture polish to blades for added protection.
- At least twice a year, tighten all screws and lower canopy to check mounting bracket screws and downrod assembly.
- Total fixture wattage is 19 watts; do not attempt to replace LEDs.
- Battery replacement: Use an A23 12-volt alkaline battery for the remote.

TROUBLESHOOTING

PROBLEM	POSSIBLE CAUSE	CORRECTIVE ACTION
Fan does not move.	<ol style="list-style-type: none"> 1. Faulty wire connection. 2. Reverse switch not engaged. 	<ol style="list-style-type: none"> 1. Turn power off. Loosen canopy, check all connections. 2. Push switch firmly either way.
Noisy operation.	<ol style="list-style-type: none"> 1. Blades are loose. 2. Cracked blade. 3. Unapproved speed control. 	<ol style="list-style-type: none"> 1. Tighten all blade screws. 2. Replace blades (call customer service). 3. Replace with an approved speed control device.
Excessive wobbling.	<ol style="list-style-type: none"> 1. The blades are loose. 2. Blade brackets incorrectly attached. 3. The fan is not securely mounted. 4. Fan too close to vaulted ceiling. 	<ol style="list-style-type: none"> 1. Tighten all blade screws. 2. Reinstall blade arms. 3. Turn power off. Carefully loosen the canopy and remount securely. 4. Lower fan or move it to another location.

WARRANTY

The manufacturer warrants this fan to be free from defects in workmanship and material present at time of shipment from the factory for lifetime limited from the date of purchase. This warranty applies only to the original purchaser. The manufacturer agrees to correct such defect at no charge or at our option replace the ceiling fan with a comparable or superior model.

To obtain warranty service, present a copy of your sales receipt as proof of purchase. All cost of removal and are the expressed responsibility of the purchaser. Any damage to the ceiling fan by accident, misuse or improper installation, or by affixing accessories not produced by the manufacturer of the fan, are at the purchaser's own responsibility. The manufacturer assumes no responsibility whatsoever for fan installation during the lifetime limited warranty. Any service performed by an unauthorized person will render the warranty invalid.

Due to varying climatic conditions, this warranty does not cover changes in brass finish, rusting, pitting, tarnishing, corroding or peeling. Brass finish fans maintain their beauty when protected from varying weather conditions. Any glass provided with this fan is not covered by the warranty. Any replacement of defective parts for the ceiling fan must be reported within the first year from the date of purchase. For the balance of the warranty, call our customer service department at 1-800-643-0067 for return authorization and shipping instructions so that we may repair or replace the ceiling fan. Any fan or parts returned improperly packaged is the sole responsibility of the purchaser. There is no further expressed warranty. The manufacturer disclaims any and all implied warranties.

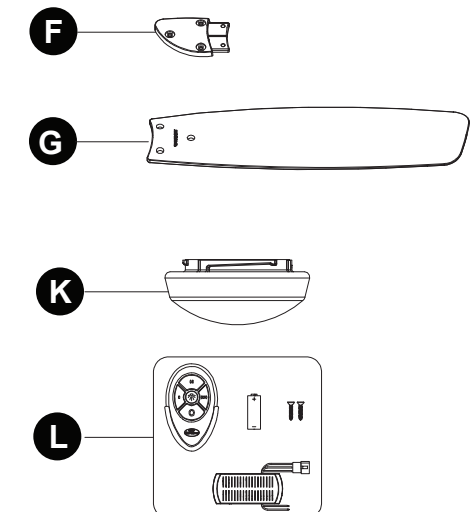
The duration of any implied warranty which can not be disclaimed is limited to the lifetime limited period as specified in our warranty. The manufacturer shall not be liable for incidental, consequential or special damages arising at or in connection with product use or performance except as may otherwise be accorded by law. This warranty gives you specific legal rights and you also have other rights which vary from state to state. This warranty supersedes all prior warranties.

NOTE: A small amount of "wobble" is normal and should not be considered a defect.

REPLACEMENT PARTS LIST

For replacement parts, call our customer service department at 1-800-643-0067, 8 a.m. - 6 p.m., EST, Monday - Thursday, 8 a.m. - 5 p.m., EST, Friday.

PART	DESCRIPTION	PART #
F	Blade Arm	104000-0398UB
G	Blade	108100-00602C
K	Glass	991300-0682WA
L	Remote Pack	990700-011600



ARTÍCULO # 0883772

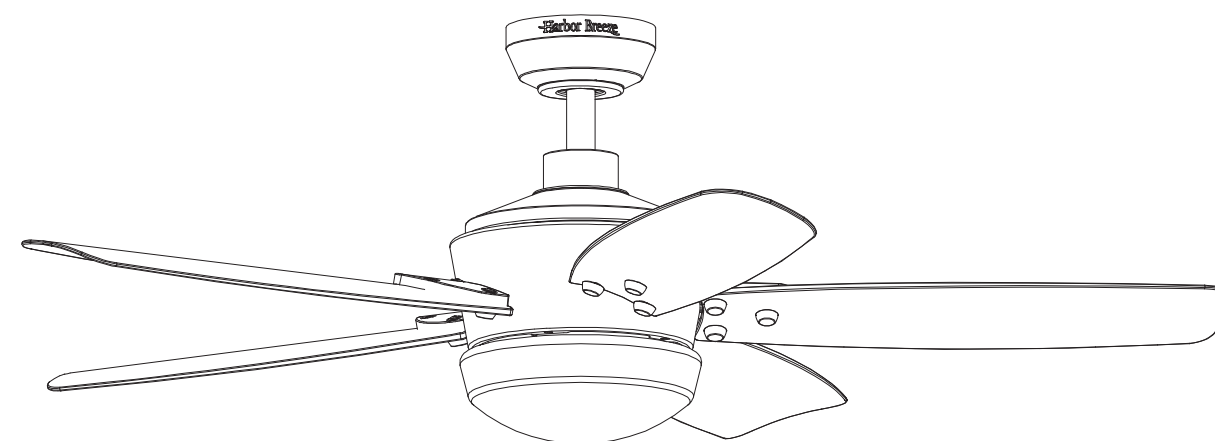


VENTILADOR DE TECHO SARATOGA

MODELO # 00598

MODELO UL # 48-STG

Harbor Breeze® es una marca registrada de LF, LLC.
Todos los derechos reservados.



ADJUNTE SU RECIBO AQUÍ

Número de serie _____ Fecha de compra _____



¿Preguntas, problemas, piezas faltantes? Antes de volver a la tienda, llame a nuestro Departamento de Servicio al Cliente al 1-800-643-0067, de lunes a jueves, de 8 a. m. a 6 p. m., y los viernes de 8 a. m. a 5 p. m., hora estándar del Este.

ÍNDICE

Información de seguridad.....	17
Contenido del paquete.....	19
Aditamentos.....	20
Preparación	20
Instrucciones de ensamblaje.....	21
Instrucciones de funcionamiento	28
Cuidado y mantenimiento	29
Solución de problemas.....	29
Garantía.....	30
Lista de piezas de repuesto	30

! INFORMACIÓN DE SEGURIDAD

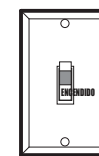
LEA Y GUARDE ESTAS INSTRUCCIONES

Lea y comprenda completamente este manual antes de intentar ensamblar, usar o instalar el producto.

- Cuando use una caja de salida existente, asegúrese de que la caja esté sujeta de forma segura a la estructura del edificio y que pueda soportar el peso completo del ventilador para evitar potenciales lesiones graves o la muerte.
- Todo el cableado debe cumplir el Código Eléctrico Nacional “ANSI/NFPA 70” y los códigos eléctricos locales. La instalación eléctrica debe ser realizada por un electricista calificado y autorizado.
- NO utilice bombillas de un vataje superior al valor máximo establecido en el ensamble y en este manual. La utilización de una bombilla cuyo vataje sea superior al especificado incrementará la temperatura del ensamble y causará riesgo de incendio.
- Desconecte el circuito de suministro de electricidad del ventilador antes de instalar el kit.
- Los diagramas eléctricos tienen una finalidad de referencia únicamente.
- **Adecuados para uso en lugares húmedos.**
- **Usar solo con kits de luces marcados como adecuados para uso en lugares húmedos.**
- El peso neto de este ventilador, incluido el kit de iluminación, es: **8,6 kg**

! ADVERTENCIA

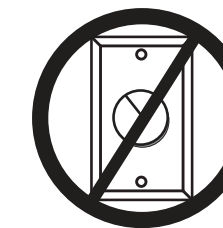
- **Adecuado para usar con controles de velocidad de estado sólido**
- **ADVERTANCIA:** Para reducir el riesgo de descargas eléctricas, este ventilador debe instalarse con un interruptor de control de aislamiento de pared.
- **RIESGO DE DESCARGA ELÉCTRICA:** Para reducir el riesgo de descargas eléctricas, asegúrese de cortar la electricidad en la caja del interruptor de circuito o en la caja de fusibles antes de comenzar la instalación.
- **RIESGO DE LESIONES PERSONALES:** Para reducir el riesgo de lesiones a personas, instale el ventilador de forma que las aspas estén a 2,13 m sobre el piso.
- **PELIGRO DE DESCARGA ELÉCTRICA:** No instale este ventilador con un control de velocidad variable de pared o un regulador de intensidad montado en la pared. Dañará el receptor del control remoto del ventilador de manera permanente y ocasionará fallas en las funciones del ventilador.



Interruptor de encendido/apagado



NO USAR control de pared de velocidad variable



NO USAR regulador de intensidad

- **RIESGO DE LESIONES PERSONALES, INCENDIO O DESCARGA ELÉCTRICA:** Para reducir el riesgo de incendio, descargas eléctricas o lesiones personales, monte el ventilador en una caja de salida marcada como “ACCEPTABLE FOR FAN SUPPORT OF 35.1 LBS OR LESS” (Apta para sostener ventiladores de 15,92 kg. o menos) y utilice los tornillos de montaje que se incluyen con la caja de salida. La mayoría de las cajas de salida que se usan comúnmente para sostener lámparas no son aptas para sostener un ventilador y puede ser necesario reemplazarlas. Si tiene dudas, consulte con un electricista calificado y autorizado.

PRECAUCIÓN

- **RIESGO DE LESIONES PERSONALES:** Para reducir el riesgo de lesiones personales, no doble los brazos de las aspas al instalar las abrazaderas, equilibrar las aspas o limpiar el ventilador. NO coloque objetos extraños entre las aspas en movimiento del ventilador.

Este equipo ha sido probado y se ha verificado que cumple con los límites para un dispositivo digital clase B, conforme a la sección 15 de las reglas de la FCC. Estos límites están diseñados para proporcionar protección razonable contra interferencias perjudiciales en una instalación residencial. Este equipo genera, utiliza y puede irradiar energía de radiofrecuencia y, si no se instala y se usa de acuerdo con las instrucciones, puede causar interferencia perjudicial para las comunicaciones de radio. Sin embargo, no se garantiza que no se producirán interferencias en una instalación en particular. Si este equipo genera una interferencia perjudicial para la recepción de radio o televisión, que se puede determinar apagando y encendiendo el equipo, se recomienda al usuario que intente corregir la interferencia con una o más de las siguientes medidas:

Reoriente o reubique la antena de recepción.

Aumente la separación entre el equipo y el receptor.

Conecte el equipo a un tomacorriente de un circuito distinto al que usa el receptor.

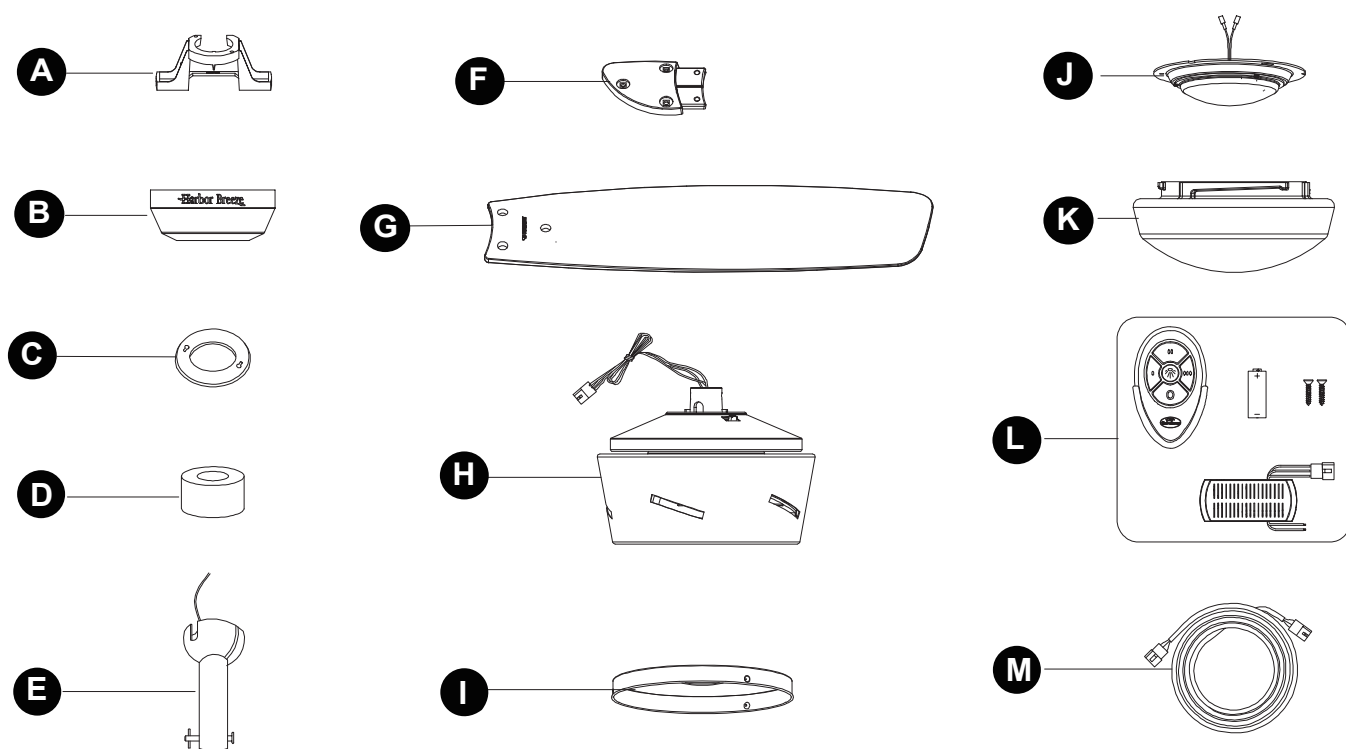
Solicite ayuda al distribuidor o a un técnico con experiencia en radio/TV.

PRECAUCIÓN: Cualquier cambio o modificación que no esté expresamente aprobado por el cesionario de este dispositivo podría anular la autorización del usuario para utilizar el equipo.

Este dispositivo cumple con la sección 15 de las reglas de la FCC. El funcionamiento está sujeto a las siguientes dos condiciones:

(1) Este dispositivo no debe causar interferencia perjudicial, y (2) deberá aceptar cualquier interferencia recibida, incluida la interferencia que pudiese causar la operación no deseada.

CONTENIDO DEL PAQUETE



PIEZA	DESCRIPCIÓN	CANTIDAD
A	Soporte de montaje	1
B	Base	1
C	Cubierta de la base	1
D	Cubierta de la horquilla	1
E	Varilla	1
F	Brazo del aspa	5
G	Aspa	5
H	Ensamble del motor del ventilador	1
I	Placa de soporte	1
J	Lámpara	1
K	Vidrio	1
L	Paquete remoto	1
M	Cable conductor	1

ADITAMENTOS (se muestran en tamaño real)



Conector de cables
Cant. 3 + 1 adicional



Tornillo para el brazo de
las aspas con arandela
Cant. 10 + 1 adicional



Tuerca decorativa
Cant. 15



Tornillo para aspa
Cant. 15 + 1 adicional

PREPARACIÓN

Antes de comenzar a ensamblar el producto, asegúrese de tener todas las piezas. Compare las piezas con la lista del contenido del paquete y la lista de aditamentos. No intente ensamblar el producto si falta alguna pieza o si estas están dañadas.

Tiempo estimado de ensamblaje: 45 minutos.

Herramientas necesarias para el ensamblaje (no se incluyen): destornillador Phillips, escalera de tijera, cinta aislante, pinzas, pinzas cortacables, pinzas pelacables.

Herramientas útiles (no se incluyen): probador de circuito eléctrico.

INSTRUCCIONES DE ENSAMBLAJE

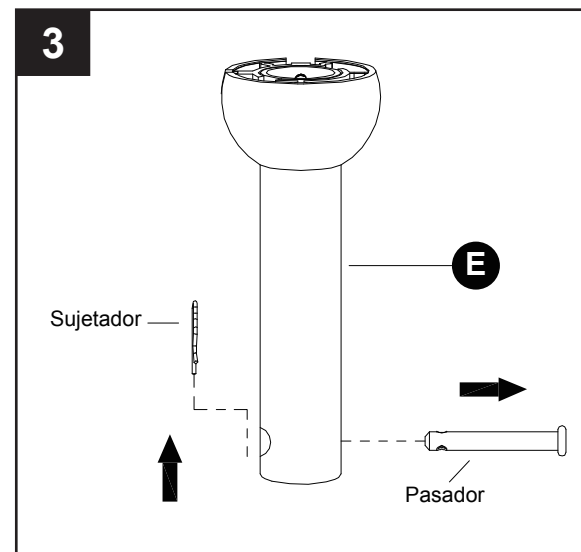
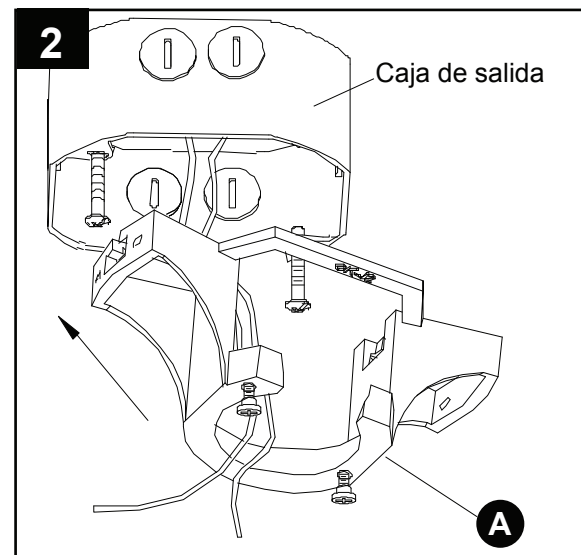
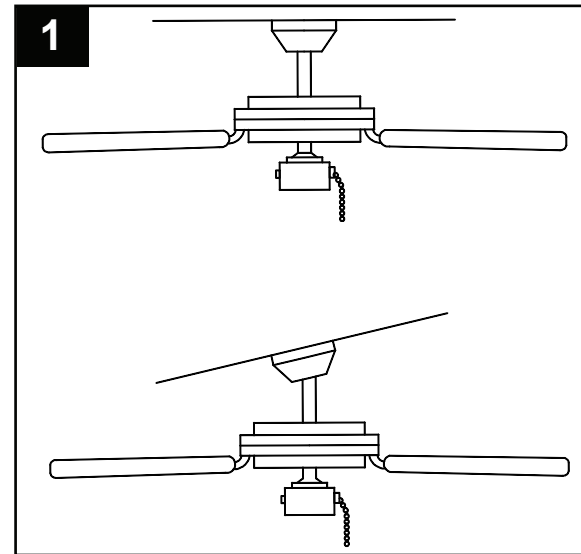
Determine el método de instalación.
Montaje de varilla (techos estándar o en ángulo)

Importante: Si realiza la instalación en ángulo, verifique que el ángulo del techo no tenga una inclinación superior a los 20°.

2. Instale el soporte de montaje (A) en la caja de salida (no se incluye) deslizando la soporte de montaje (A) por los dos tornillos de la caja de salida (no se incluyen). Apriete firmemente los dos tornillos de la caja de salida.

Importante: Si realiza el montaje en ángulo, asegúrese de que el extremo abierto de la abrazadera de montaje (A) esté instalado en dirección hacia el punto más alto del techo.

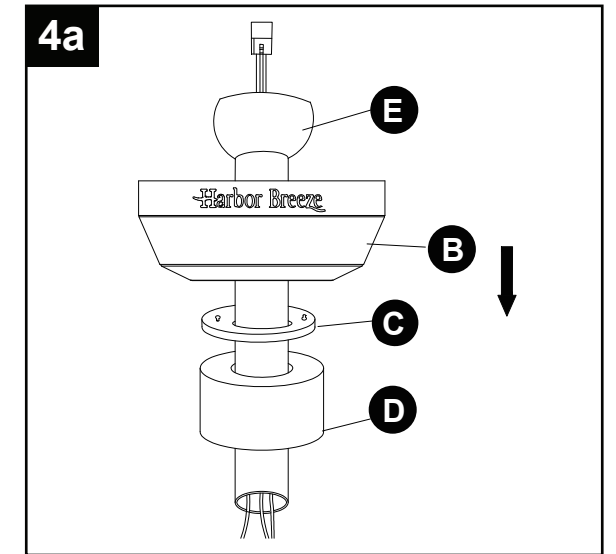
3. Retire el pasador y el sujetador preensamblados en la varilla (E). Apártelos para su uso posterior.



INSTRUCCIONES DE ENSAMBLAJE

4a. INSTALACIÓN DE LA VARILLA ESTÁNDAR:

Inserte la varilla (E) por la base (B), la cubierta de la base (C) y la cubierta de la horquilla (D). Pase los cables desde el ensamble del motor del ventilador a través de la varilla (E).

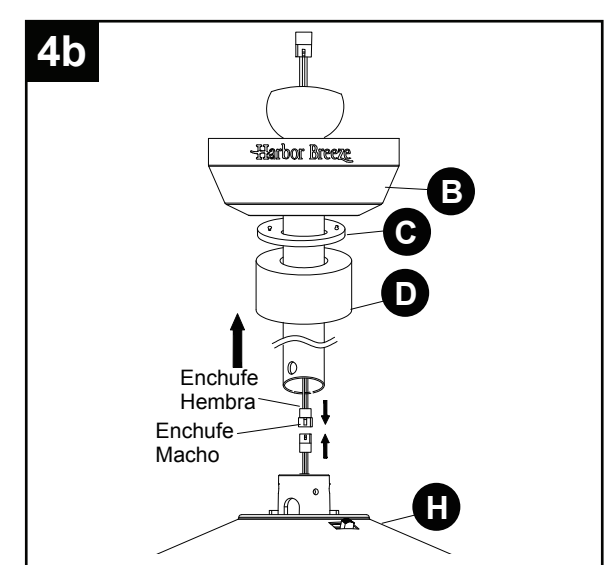


4b. INSTALACIÓN CON VARILLA EXTENDIDA:

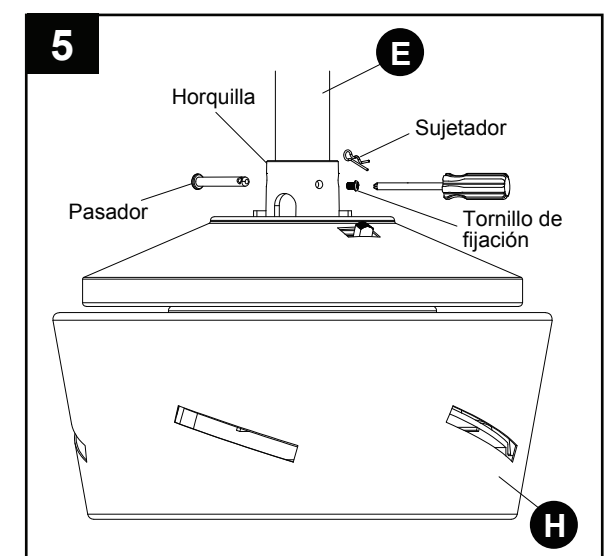
si está instalando el ventilador con una varilla más larga (se vende por separado), pásela a través de la base (B) y la cubierta de la base (C). Luego, pase el cable conductor (N) a través de la varilla y conecte el enchufe MACHO de la parte superior del ensamble del motor (H) al enchufe HEMBRA del cable conductor (N).

NOTA: el enchufe macho del cable conductor (N) debe salir por el otro extremo de la varilla.

NOTA: en el resto de las instrucciones, se hará referencia al ensamble de la varilla (D); sin embargo, tenga en cuenta que se aplican todas las instrucciones incluso si se usó una varilla adicional.



5. Suelte los dos tornillos de fijación preensamblados de la horquilla en el ensamble del motor del ventilador (H). Deslice la varilla (E) en la horquilla de la carcasa, alineando los orificios en ambas partes. Inserte los pasadores retirados anteriormente por los orificios en la horquilla y la varilla (E), luego inserte el sujetador que retiró con anterioridad hasta que encaje en su lugar. Apriete los tornillos de fijación.

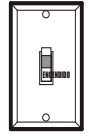


INSTRUCCIONES DE ENSAMBLAJE

6. Instale la bola para colgar en la parte superior de la varilla (E) en la abertura del soporte de montaje (A). Gire el ventilador hasta que la ranura de la bola para colgar calce con la lengüeta del soporte de montaje (A).

! PELIGRO: Tenga cuidado cuando alinee la lengüeta con la ranura. Si no calza bien, es posible que el ventilador se caiga, lo que podría provocar lesiones graves o la muerte.

Importante: NO use este ventilador con un regulador de intensidad o control de pared de velocidad variable, ya que esto dañará el ventilador.



Interruptor de encendido/apagado



NO USAR control de pared de velocidad variable



NO USAR regulador de intensidad

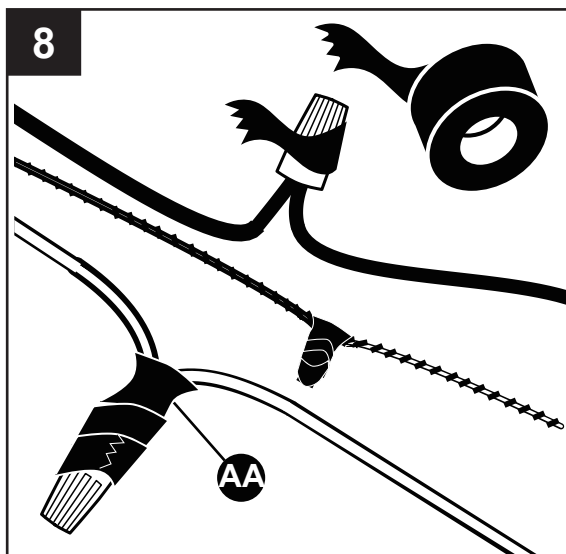
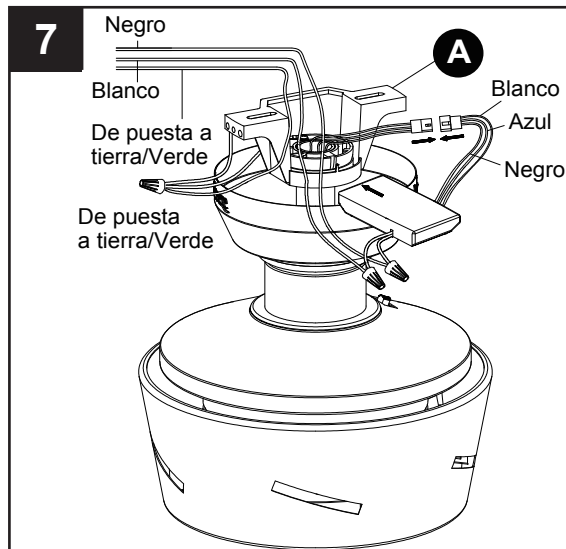
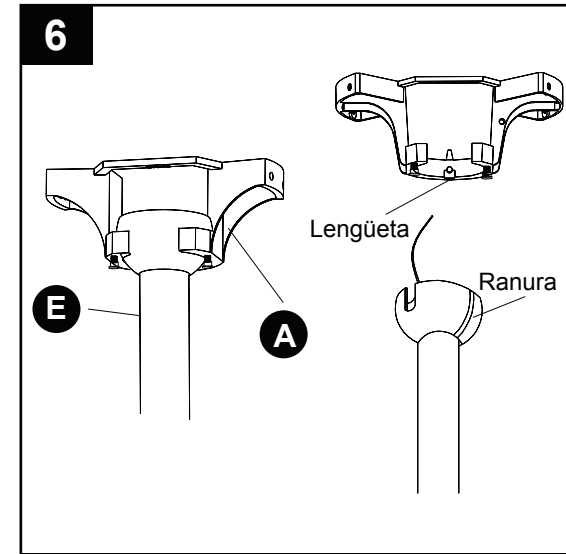
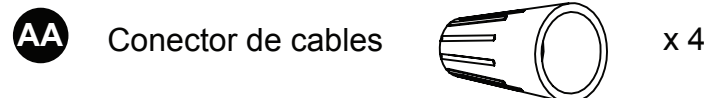
7. Inserte el receptor del paquete remoto (M) en el soporte de montaje (A) con el lado plano orientado hacia el techo. Conecte el cable **NEGRO** del receptor con el cable **NEGRO** del techo. Conecte el cable **BLANCO** del receptor con el cable **BLANCO** del techo. Conecte todos los cables de **PUESTA A TIERRA (VERDES)** juntos del ventilador con el cable **VERDE/DE PUESTA A TIERRA** del techo. Conecte el enchufe macho del ventilador al enchufe hembra del receptor juntos.

NOTA: el cable **NEGRO** es el que proporciona alimentación al ventilador y al kit de iluminación. El conductor **BLANCO** es el conductor común para el ventilador y el kit de iluminación. El cable **VERDE** es el cable de puesta a tierra. Si los cables de la casa no tienen los colores que se mencionaron anteriormente, deténgase de inmediato y consulte con un electricista profesional para determinar el cableado correcto.

8. Tuerza los extremos de los cables y enrosque los conectores de cables (AA) en dirección de las manecillas del reloj. Una los conectores de cables (AA) y los cables con cinta aislante (no se incluye).

NOTA: después de hacer las conexiones, asegúrese de que NO haya conductores desnudos ni filamentos de conductores visibles. Coloque las conexiones verdes y blancas en el lado opuesto de la caja donde se ubican las conexiones negras y azules. Los empalmes deben girarse hacia arriba y empujarse con cuidado hasta introducirlos en la caja de salida.

Aditamentos utilizados



INSTRUCCIONES DE ENSAMBLAJE

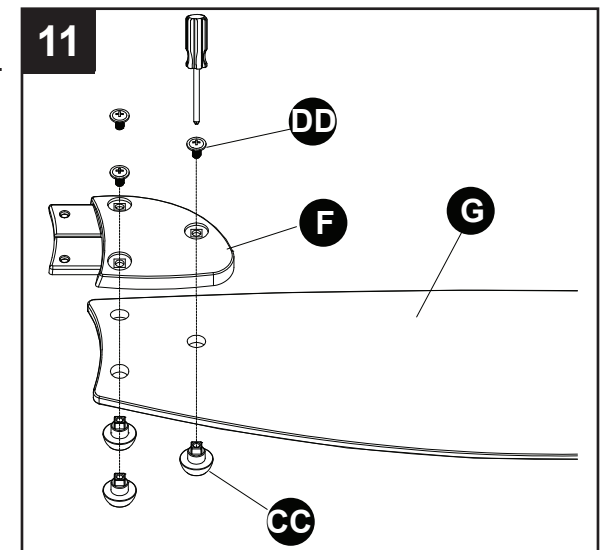
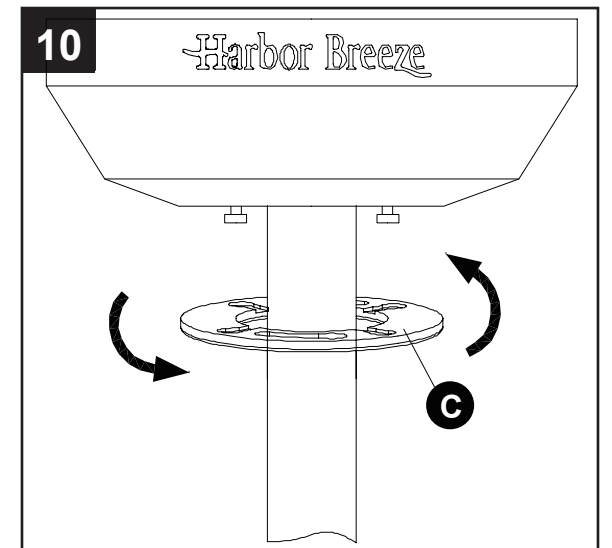
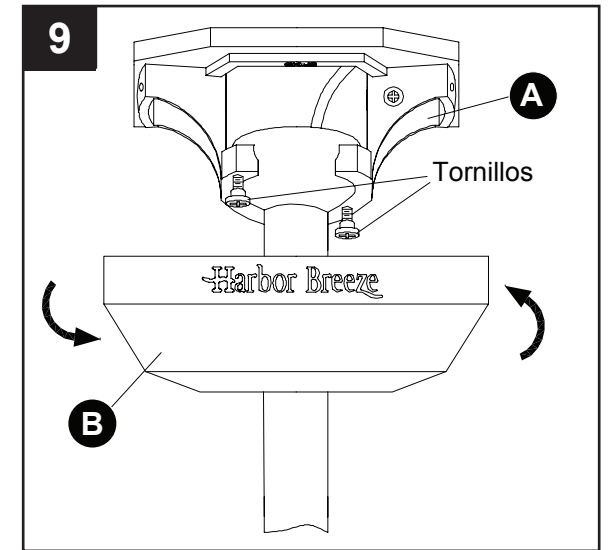
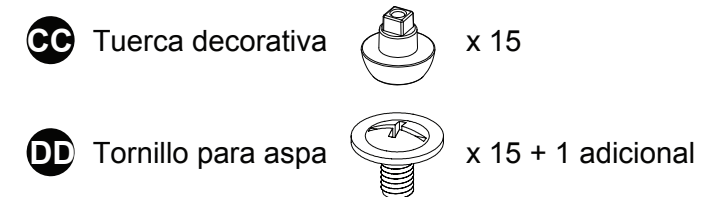
9. Deslice la base (B) contra el techo y por los dos tornillos en el soporte de montaje (A). Gire la base (B) en dirección de las manecillas del reloj para bloquearla en su lugar. Apriete los dos tornillos.

10. Deslice la cubierta de la base (C) sobre los dos tornillos y gírela en dirección de las manecillas del reloj hasta bloquearla.

NOTA: regule los tornillos lo necesario hasta que la base (B) y su cubierta (C) estén ajustadas.

11. Fije el asa (G) debajo del brazo del asa (F) con tres tuercas decorativas (CC) y tres tornillos para aspas (DD). Repita el procedimiento para las otras aspas (G), los brazos del asa (F), las tuercas decorativas (CC) y los tornillos para aspas (DD).

Aditamentos utilizados

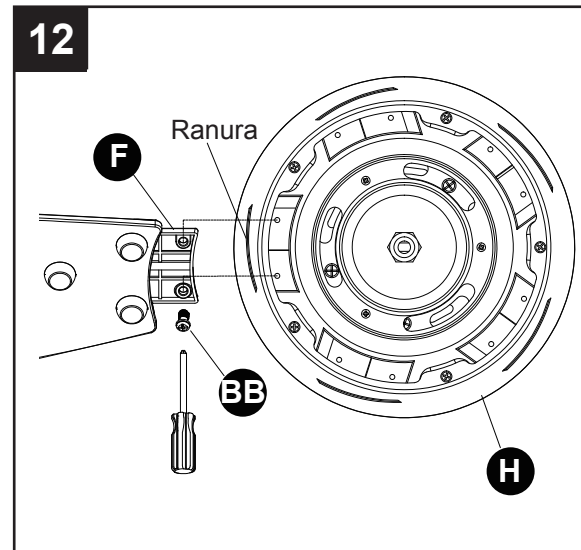


INSTRUCCIONES DE ENSAMBLAJE

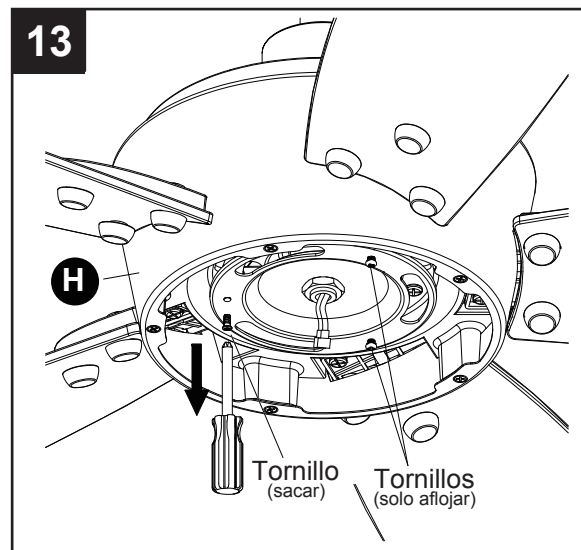
12. Inserte el ensamble del aspa a través de la ranura en el ensamble del motor del ventilador (H) y alinee los dos orificios para tornillos en el brazo del aspa (F) con los orificios para tornillos en el ensamble del motor del ventilador (H). Fíjelos con dos tornillos para los brazos del aspa (BB). Repita para los ensambles de las aspas restantes.

Aditamentos utilizados

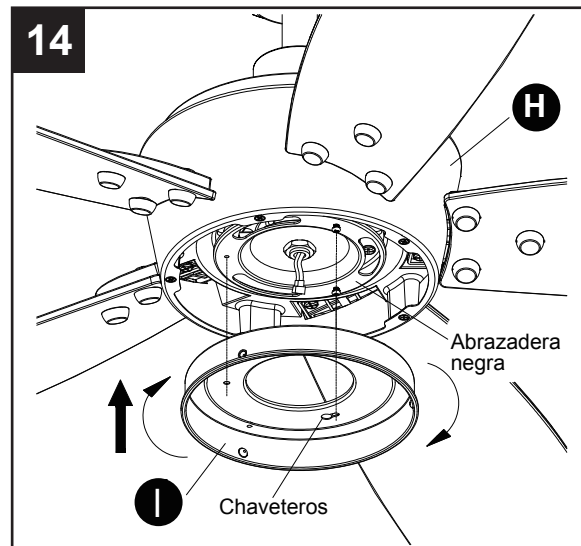
BB Tornillo para el brazo de las aspas  x 10 + 1 adicional



13. Desajuste los dos tornillos preensamblados del ensamble del motor del ventilador (H). Retire y guarde el tornillo preensamblado restante.

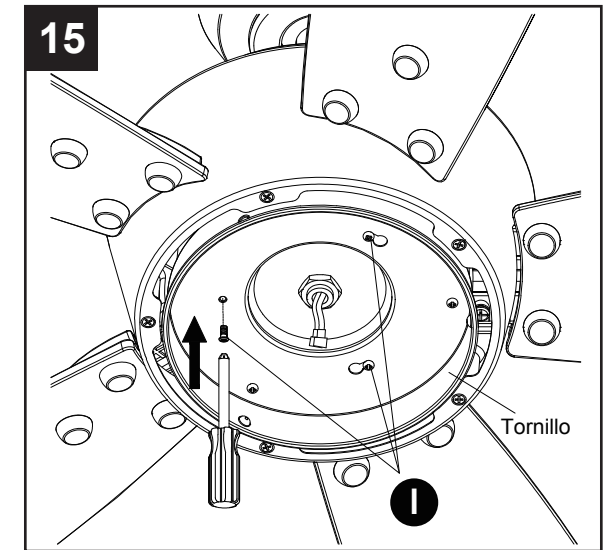


14. Jale los cables **AZUL** y **BLANCO** del ensamble del motor del ventilador (H) a través del orificio central de la placa de soporte (I). Alinee los dos chaveteros en la placa de soporte (I) con dos tornillos en el soporte negro debajo del ensamble del motor del ventilador (H).

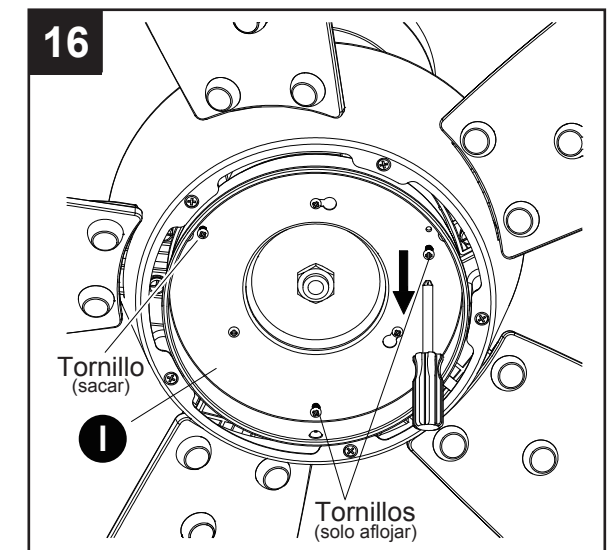


INSTRUCCIONES DE ENSAMBLAJE

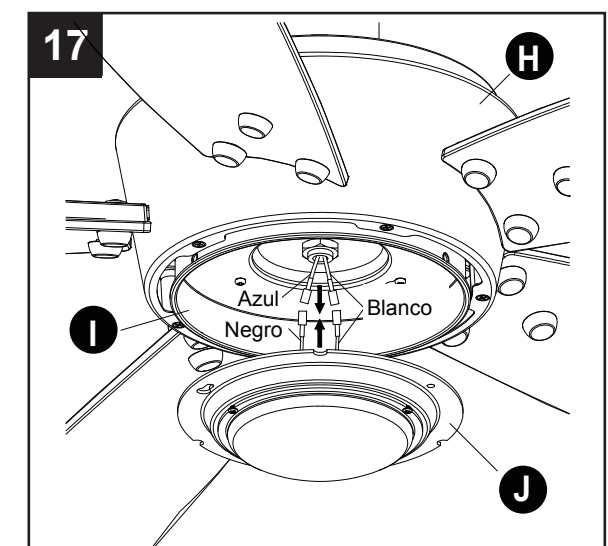
15. Coloque la placa de soporte (I) sobre los dos tornillos y gírela en dirección de las manecillas del reloj hasta que se bloquee. Instale el tornillo que retiró anteriormente (Paso 13, página 25) y apriete firmemente todos los tornillos.



16. Afloje dos tornillos preensamblados de la placa de soporte (I). Retire y guarde el tornillo preensamblado restante.

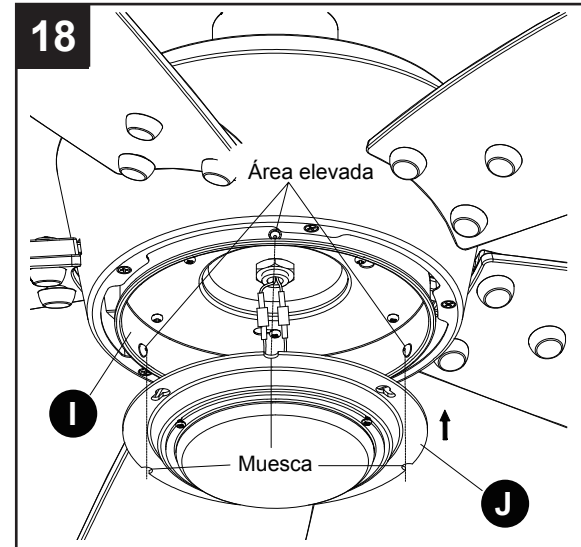


17. Conecte el cable **AZUL** del ensamble del motor del ventilador (H) con el cable **NEGRO** de la lámpara (J). Conecte el cable **BLANCO** del ensamble del motor del ventilador (H) con el cable **BLANCO** de la lámpara (J).

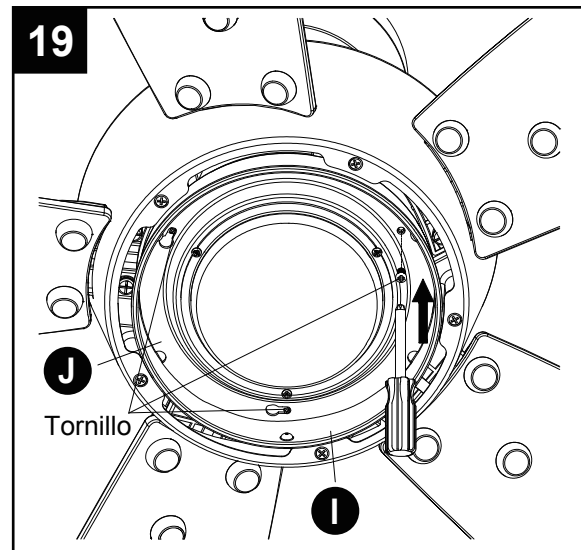


INSTRUCCIONES DE ENSAMBLAJE

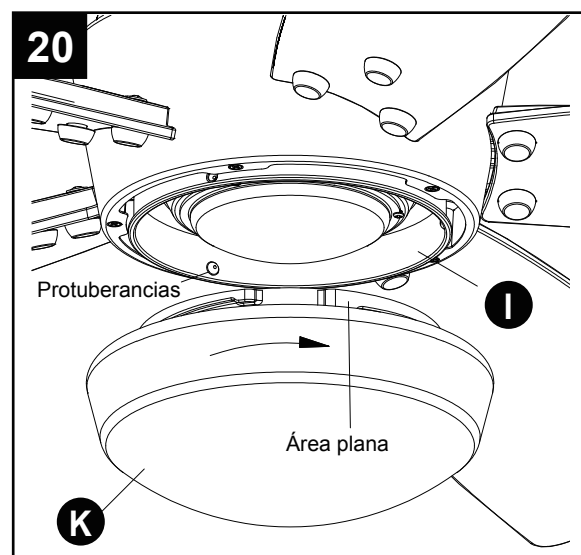
18. Alinee las muescas en la lámpara (J) con las áreas elevadas en el interior de la placa de soporte (I).



19. Alinee los dos chaveteros de la lámpara (J) con los dos tornillos en la placa de soporte (I). Coloque la lámpara (J) sobre los dos tornillos y gírela en dirección de las manecillas del reloj hasta que se bloquee. Instale el tornillo que retiró anteriormente (Paso 16, página 26) y apriete firmemente todos los tornillos.



20. Coloque el vidrio (K) en la placa de soporte (I) alineando las tres áreas planas en la brida superior del vidrio (K) con las tres protuberancias en la placa de soporte (I). Gire el vidrio (K) en dirección de las manecillas del reloj hasta que se detenga.



INSTRUCCIONES DE FUNCIONAMIENTO

CONTROL REMOTO:

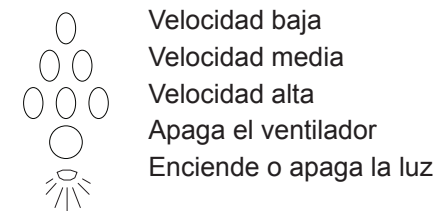
NOTA: si tiene más de un ventilador operado por control remoto instalado en la misma ubicación, se recomienda cambiar la frecuencia del control remoto para evitar posibles interferencias entre los controles remotos. Para cambiar la frecuencia del control remoto, cambie la configuración del interruptor magnético como se describe a continuación:

1. Proceso de aprendizaje/instalación de la batería:

Retire la tapa del compartimento de la batería en la parte posterior del control remoto que se encuentra en el paquete remoto (L). Inserte la batería del paquete remoto (L) en el control remoto. Asegúrese de que la polaridad de la batería coincida con la polaridad que se indica en el compartimento de la batería: positivo (+) con positivo (+) y negativo (-) con negativo (-). Vuelva a colocar la tapa de la batería.

Si necesita cambiar los interruptores magnéticos del control remoto por un posible problema de interferencia, deslice los interruptores magnéticos según su elección hacia arriba o hacia abajo (la configuración de fábrica es hacia arriba). Dentro de los 30 segundos luego de haber encendido la alimentación eléctrica del ventilador, mantenga presionado el botón "Learn" (Aprender) en el compartimento de la batería del control remoto durante 1 segundo. Una vez que el receptor detecte la frecuencia establecida, si corresponde, la luz descendente del ventilador titilará dos veces. Coloque de nuevo la cubierta de la batería. Para confirmar que el control remoto y el receptor se acoplaron de manera correcta, presione cualquier botón del control de velocidad del ventilador en el control remoto.

2. Control de velocidad del ventilador y regulador:



NOTA: mantenga presionado el botón de la luz para regular la intensidad. La intensidad de la luz disminuirá. Cuando la intensidad de la luz alcance el nivel deseado, suelte el botón de la luz.

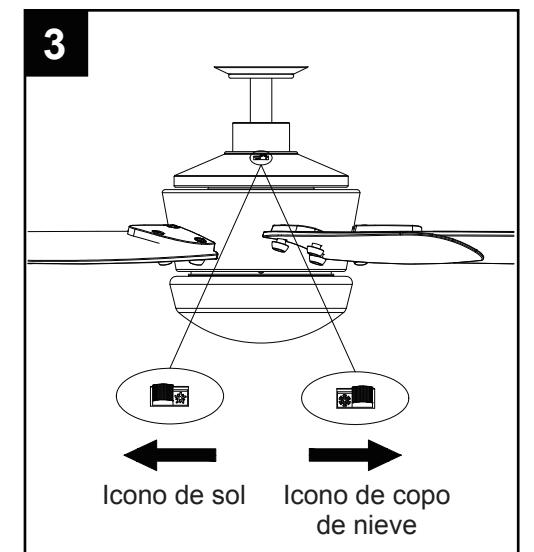
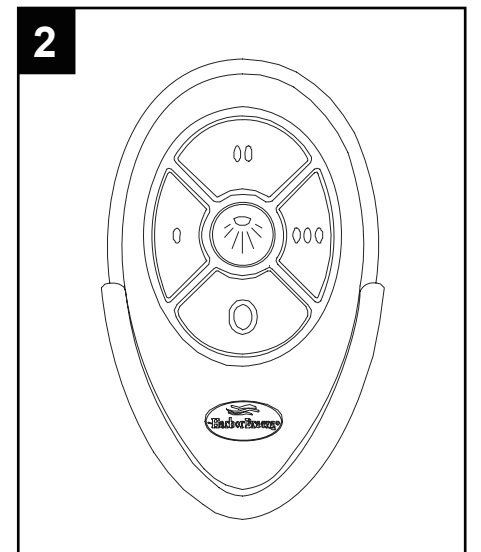
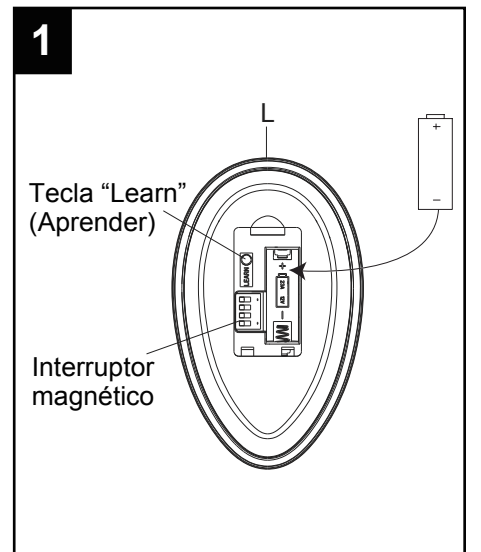
NOTA: este control remoto tiene función de memoria. El receptor registra la velocidad del ventilador y la intensidad de la luz cuando se apaga el ventilador. Cuando se vuelve a encender el ventilador, arrancará con la última configuración establecida.

3. Interruptor de reversa:

Cuando cambie la estación del año, quizás desee cambiar la dirección de giro de su ventilador. Para alternar entre la dirección de las manecillas del reloj y la dirección contraria, levante el interruptor de reversa del ventilador.

ADVERTENCIA: Espere a que el ventilador se detenga antes de invertir el interruptor.

- A. En climas más fríos, la rotación en dirección de las manecillas del reloj crea un flujo de aire ascendente, que mueve el aire caliente desde el techo hacia la parte central de la habitación. Mueva el interruptor hacia la DERECHA, donde hay un ícono de copo de nieve, para activar la rotación en dirección de las manecillas del reloj.
- B. En climas cálidos, la rotación en dirección contraria a las manecillas del reloj crea un flujo de aire descendente que enfría el aire. Mueva el interruptor hacia la IZQUIERDA, donde hay un ícono de sol, para activar la rotación en dirección contraria a las manecillas del reloj.



CUIDADO Y MANTENIMIENTO

- **IMPORTANTE:** Antes de realizar cualquier trabajo de mantenimiento, desconecte el suministro de electricidad principal.
- No UTILICE agua ni detergentes para limpiar el ventilador o las aspas. Se recomienda utilizar un paño suave y seco o un paño levemente humedecido para limpiar el producto.
- Limpie la carcasa del ventilador solo con un cepillo suave o con un paño sin pelusas para evitar que se raye el acabado. Limpie las aspas con un paño sin pelusas. De vez en cuando, puede aplicar una fina capa de pulidor para muebles en las aspas para darles más protección.
- Al menos dos veces al año, apriete todos los tornillos y baje la base para inspeccionar los tornillos del soporte de montaje y el ensamble de la varilla.
- El vataje total de la lámpara es de 19 vatios; no intente reemplazar las bombillas LED.
- Reemplazo de la batería: para el control remoto, utilice una batería alcalina A23 de 12 voltios.

SOLUCIÓN DE PROBLEMAS

PROBLEMA	CAUSA POSIBLE	ACCIÓN CORRECTIVA
El ventilador no se mueve.	<ol style="list-style-type: none"> 1. La conexión de los cables es incorrecta. 2. El interruptor de reversa no está activado. 	<ol style="list-style-type: none"> 1. Desconecte la alimentación. Suelte la base y revise todas las conexiones. 2. Mueva el interruptor con firmeza hacia cualquiera de los dos lados.
El funcionamiento es ruidoso.	<ol style="list-style-type: none"> 1. Las aspas están flojas. 2. Hay un aspa partida. 3. Hay un control de velocidad no autorizado. 	<ol style="list-style-type: none"> 1. Apriete todos los tornillos de las aspas. 2. Reemplace las aspas (llame al Servicio al Cliente). 3. Reemplace por un dispositivo de control de velocidad autorizado.
Hay un tambaleo excesivo.	<ol style="list-style-type: none"> 1. Las aspas están flojas. 2. Las abrazaderas de las aspas no están ajustadas correctamente. 3. El ventilador no está bien instalado. 4. El ventilador está demasiado cerca del techo de bóveda. 	<ol style="list-style-type: none"> 1. Apriete todos los tornillos de las aspas. 2. Vuelva a instalar los brazos de las aspas. 3. Desconecte la alimentación. Afloje la base con cuidado y vuelva a montarla. 4. Baje el ventilador o muévelo a otra ubicación.

GARANTÍA

El fabricante garantiza que este ventilador no presenta defectos de fabricación ni en los materiales presentes en el momento del transporte desde la fábrica, durante un período limitado de por vida a partir de la fecha de compra. Esta garantía es válida solo para el comprador original. El fabricante acepta reparar dichos defectos sin cargo o, según nuestro criterio, reemplazar el ventilador de techo por un modelo comparable o superior.

Para obtener el servicio de garantía, presente una copia del recibo de venta como comprobante de la compra. Todos los costos de extracción y reinstalación son responsabilidad explícita del comprador. Los daños en el ventilador de techo producidos por accidentes, uso indebido o instalación incorrecta, o a causa de la colocación de accesorios de fijación que no son del fabricante de este ventilador, serán responsabilidad del comprador. El fabricante no asume ningún tipo de responsabilidad por la instalación del ventilador durante la garantía limitada de por vida. Cualquier servicio realizado por una persona no autorizada invalidará la garantía.

Debido a las cambiantes condiciones climáticas, esta garantía no cubre cambios en el acabado de latón, óxido, picaduras, deslustre, corrosión o descascarado. Los ventiladores con acabado de latón mantienen su belleza cuando se los protege de las condiciones climáticas cambiantes. La garantía no cubre los elementos de vidrio incluidos con este ventilador. Cualquier reemplazo de piezas defectuosas para el ventilador de techo debe informarse dentro del primer año a partir de la fecha de compra. Para conocer el saldo de la garantía, llame a nuestro Departamento de Servicio al Cliente al 1-800-643-0067 para obtener la autorización para la devolución y las instrucciones de envío, de modo que podamos reparar o reemplazar el ventilador de techo. Cualquier ventilador o pieza devueltos con un embalaje incorrecto son responsabilidad única del comprador. No existe otro tipo de garantía explícita. El fabricante rechaza cualquiera y todas las garantías implícitas.

La duración de cualquier garantía implícita que no pueda rechazarse se limita al período limitado de por vida especificado en nuestra garantía. El fabricante no será responsable por daños incidentales, resultantes o especiales que surjan en relación con el uso o el funcionamiento del producto, excepto que la ley indique lo contrario. Esta garantía le otorga derechos legales específicos y usted tiene también otros derechos que varían según el estado. Esta garantía sustituye cualquier garantía previa.

NOTA: una pequeña cantidad de “tambaleo” es normal y no se debe considerar como un defecto.

LISTA DE PIEZAS DE REPUESTO

Para obtener piezas de repuesto, llame a nuestro Departamento de Servicio al Cliente al 1-800-643-0067, de lunes a jueves de 8 a. m. a 6 p. m., y los viernes de 8 a. m. a 5 p. m., hora estándar del Este.

PIEZA	DESCRIPCIÓN	PIEZA #
F	Brazo del aspa	104000-0398UB
G	Aspa	108100-00602C
K	Vidrio	991300-0682WA
L	Paquete remoto	990700-011600

