



ITEM #0357400

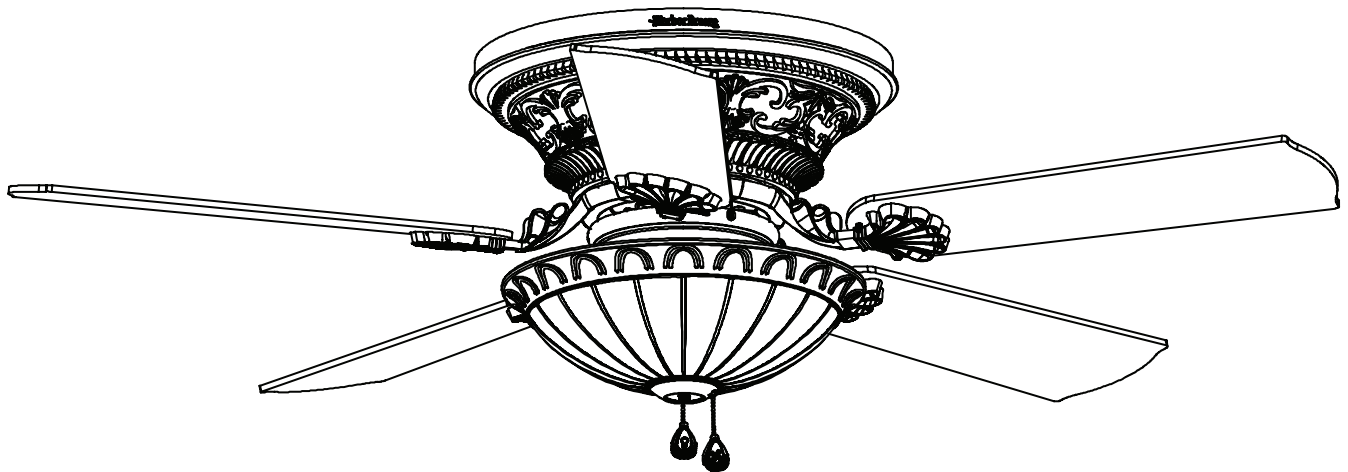
LYNSTEAD CEILING FAN

MODEL #00872

UL MODEL #LSD52

Harbor Breeze® is a registered trademark of LF, LLC. All Rights Reserved.

Español p. 14



ATTACH YOUR RECEIPT HERE

Serial Number _____ Purchase Date _____



Questions, problems, missing parts? Before returning to your retailer, call our customer service department at 1-800-643-0067, 8 a.m. - 6 p.m., EST, Monday - Thursday, 8 a.m. - 5 p.m., EST, Friday.



TABLE OF CONTENTS

Safety Information.....	3
Package Contents.....	4
Hardware Contents.....	5
Preparation.....	5
Assembly Instructions.....	6
Operating Instructions.....	12
Care and Maintenance.....	12
Troubleshooting.....	12
Warranty.....	13
Replacement Parts List	13



SAFETY INFORMATION

READ AND SAVE THESE INSTRUCTIONS

Please read and understand this entire manual before attempting to assemble, operate or install the product.

- When using an existing outlet box, be sure the box is securely attached to the building structure and can support the full weight of the fan, so as to avoid potential serious injury or death.
- All wiring must be in accordance with the National Electrical Code “ANSI/NFPA 70-1999” and local electrical codes. Electrical installation should be performed by a qualified licensed electrician.
- Electrical diagrams are for reference only.
- Do not use bulbs that have a wattage greater than the maximum value stated on the fixture and in this manual. Using a higher wattage bulb than specified will increase fixture temperature and cause risk of fire. Disconnect the electrical supply circuit to the fan before installing light kit.
- The net weight of this fan including the light kit is 24.86 lbs.

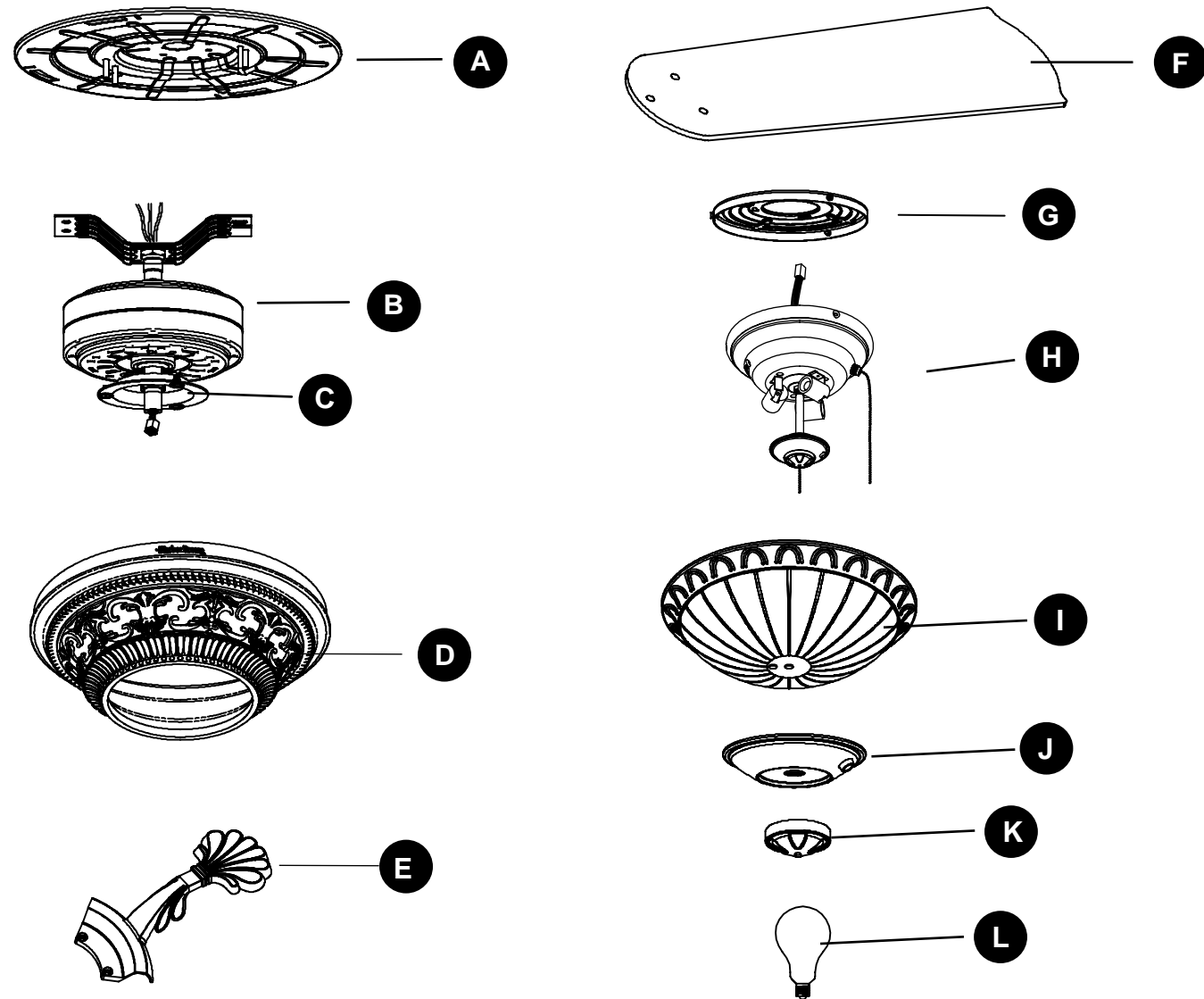


WARNING

- **ELECTRIC SHOCK HAZARD** - To reduce the risk of electric shock, do not use this fan with any solid-state speed control device.
- **ELECTRIC SHOCK HAZARD** - To reduce the risk of electric shock, make sure electricity has been turned off at the circuit breaker or fuse box before beginning installation.
- **PERSONAL INJURY HAZARD** - To reduce the risk of injury to persons, install fan so that the blade is at least 7 ft. above the floor.
- **FIRE, ELECTRIC SHOCK OR PERSONAL INJURY HAZARD** - To reduce the risk of fire, electric shock or personal injury, mount to outlet box marked “ACCEPTABLE FOR FAN SUPPORT OF 35 LBS OR LESS” and use mounting screws provided with the outlet box. Most outlet boxes commonly used for the support of lighting fixtures are not acceptable for fan support and may need to be replaced. Consult a qualified electrician if in doubt.
- **PERSONAL INJURY HAZARD** - Reduce the risk of personal injury, do not bend the blade brackets when installing the brackets, balancing the blades or cleaning the fan. Do not insert foreign objects in between rotating fan blades.

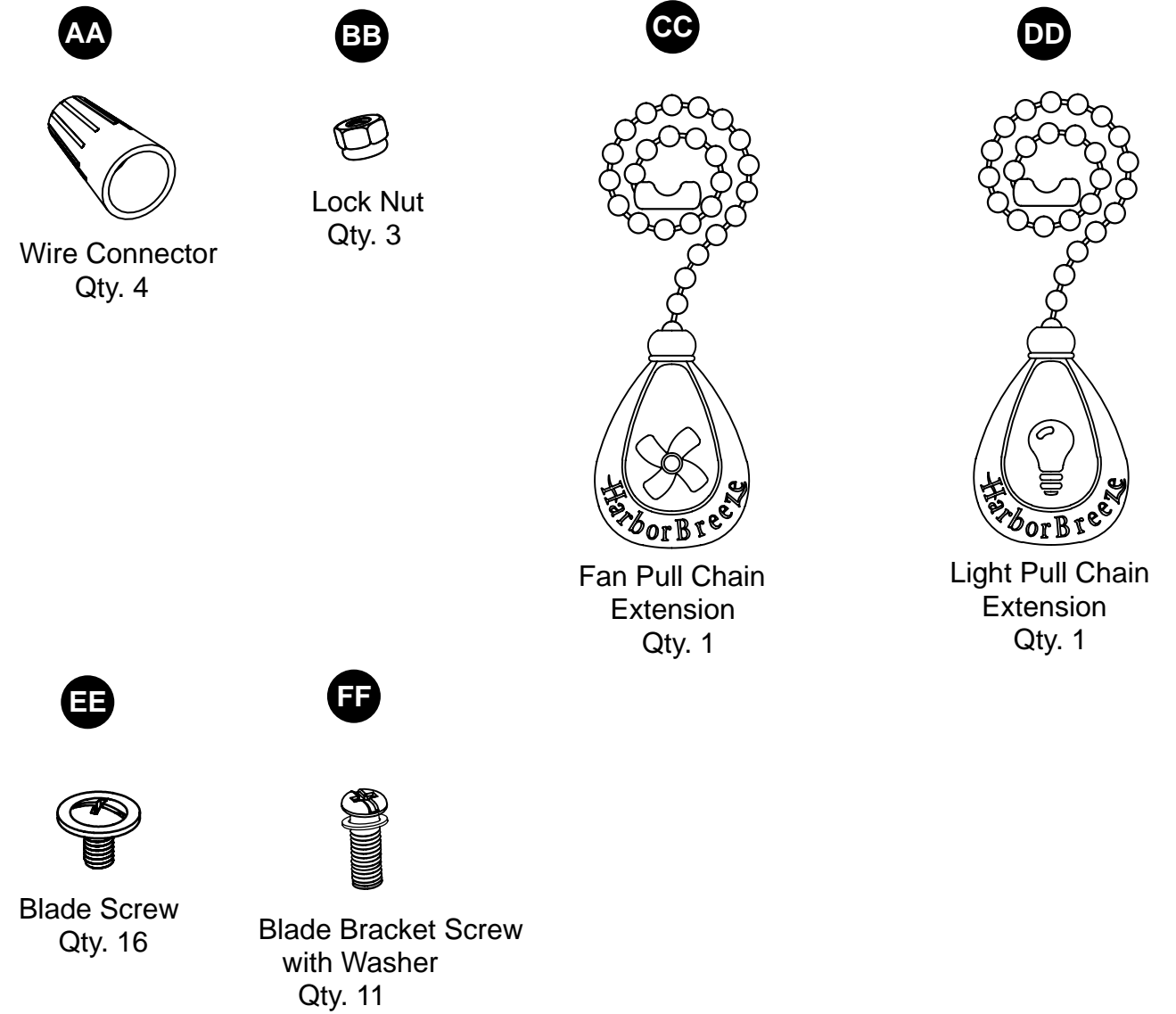


PACKAGE CONTENTS



PART	DESCRIPTION	QUANTITY
A	Mounting Plate	1
B	Motor	1
C	Switch Housing Plate (preassembled to Motor (B))	1
D	Motor Housing	1
E	Blade Bracket	5
F	Blade	5
G	Switch Housing	1
H	Light Kit	1
I	Glass Bowl	1
J	Bowl Cap (preassembled to Light Kit (H))	1
K	Finial (preassembled to Light Kit (H))	1
L	Bulb	3

HARDWARE CONTENTS (shown actual size)



PREPARATION

Before beginning assembly of product, make sure all parts are present. Compare parts with package contents list and hardware contents list. If any part is missing or damaged, do not attempt to assemble the product.

Estimated Assembly Time: 45 minutes

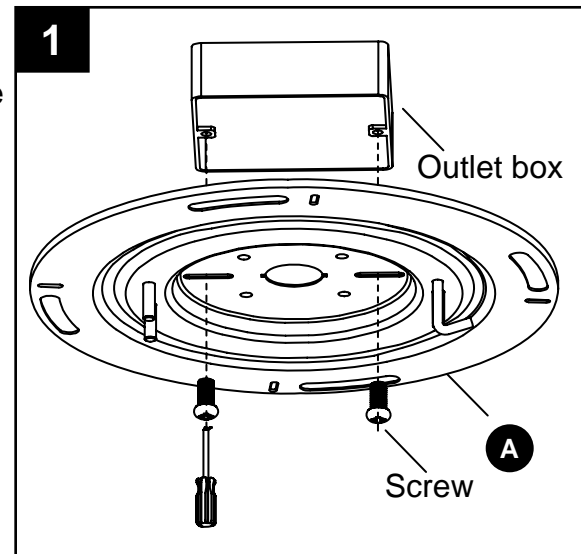
Tools Required for Assembly (not included): Phillips screwdriver, step ladder, electrical tape, pliers, wire cutters, wire strippers.



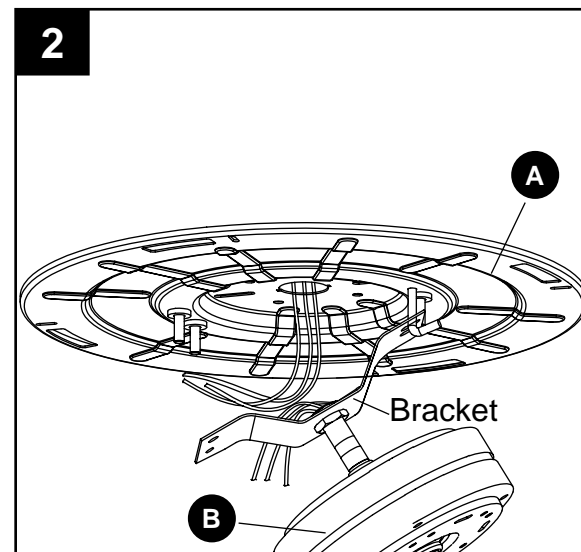
ASSEMBLY INSTRUCTIONS

- Securely attach the mounting plate (A) to the outlet box (not included) using two screws (supplied with outlet box). Pull the black, white and grounded wires out of the outlet box through the hole in the mounting plate (A) and lay them to the side.

Note: Make sure the outlet box is securely installed in place such that it is able to support at least the fan weight.

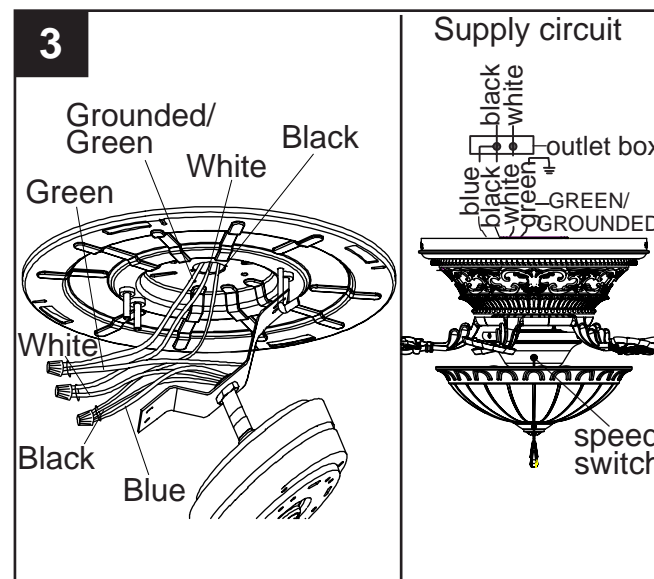


- Carefully lift the motor (B) and engage the slot in the preassembled bracket with the hook on the mounting plate (A) so it is securely suspended.



- Connect the supply **GROUNDING/GREEN** wire to the **GREEN/GROUNDED** wires from the motor bracket using the wire connector (AA). Connect the fan motor **WHITE** wire to the supply **WHITE** wire using the wire connector (AA). Connect the fan motor **BLACK** and **BLUE** wires to the supply **BLACK** wire using the wire connector (AA).

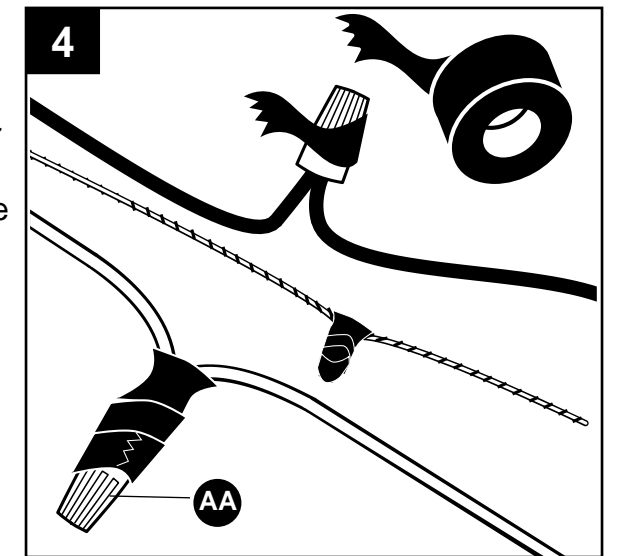
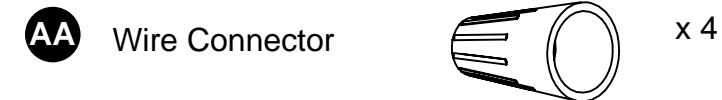
NOTE: Black wire is hot power for fan. Blue wire is hot power for light kit. White wire is common for fan and light kit. Green wire is grounded wire. If house wires are different colors than referred to above, stop immediately. A professional electrician is recommended to determine proper wiring.



ASSEMBLY INSTRUCTIONS

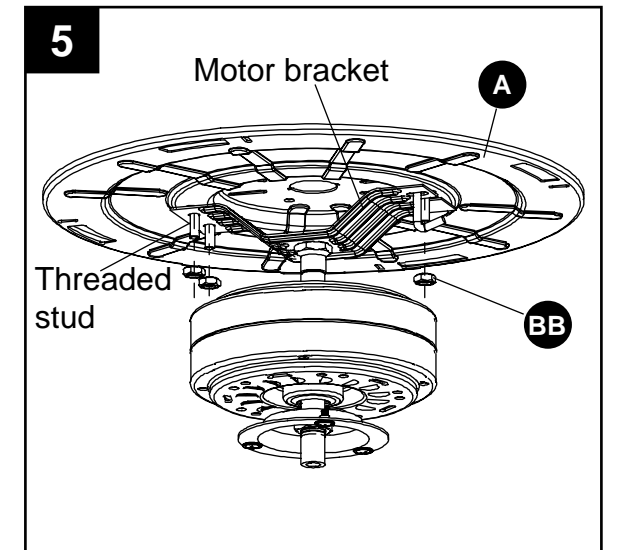
- Tape the wire connectors (AA) and wires together. The wires should be spread apart with the grounded conductor and the equipment-grounding conductor on one side of the outlet box and the ungrounded conductor on the other side of the outlet box. Be sure no bare wire or wire strands are visible after making connection. Place green and white connections on opposite side of box from the black and blue connections. The splices should be turned upward and pushed carefully up into the outlet box.

Hardware Used

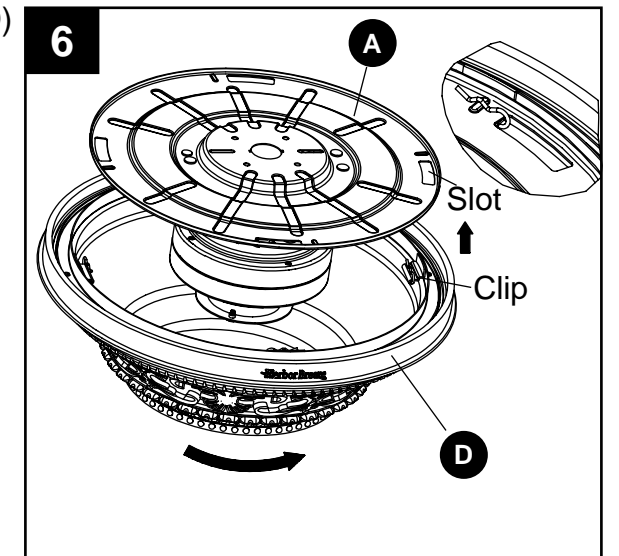


- Lift the motor bracket so the threaded studs on the mounting plate (A) protrude through the slots in the motor bracket. Securely tighten the three lock nuts (BB) onto the threaded studs. **Note:** Lightly shake the motor bracket to ensure the assembly is tight.

Hardware Used



- Align the four clips on the inside of the motor housing (D) with the four slots on the outer edge of the mounting plate (A). Twist the motor housing (D) clockwise until it stops to hold on the mounting plate (A).



ASSEMBLY INSTRUCTIONS

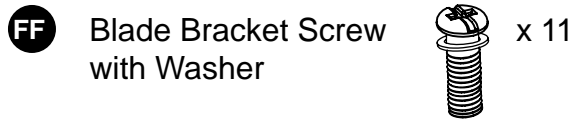
7. Attach a blade (F) to a blade bracket (E) using the blade screws (EE). Tighten each blade screw (EE) securely.
Repeat for the remaining blades (F).

Hardware Used

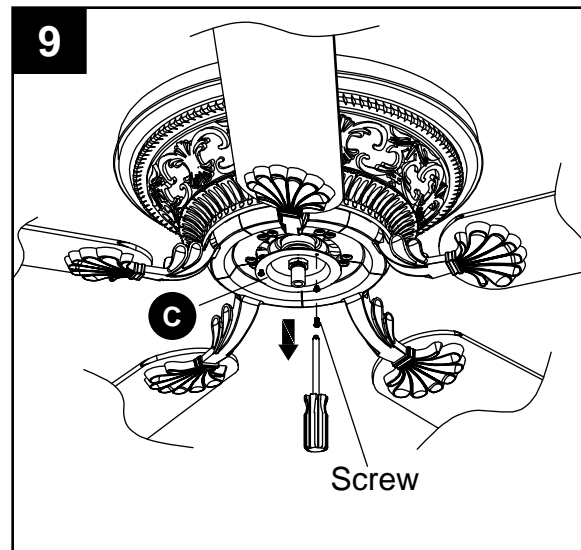
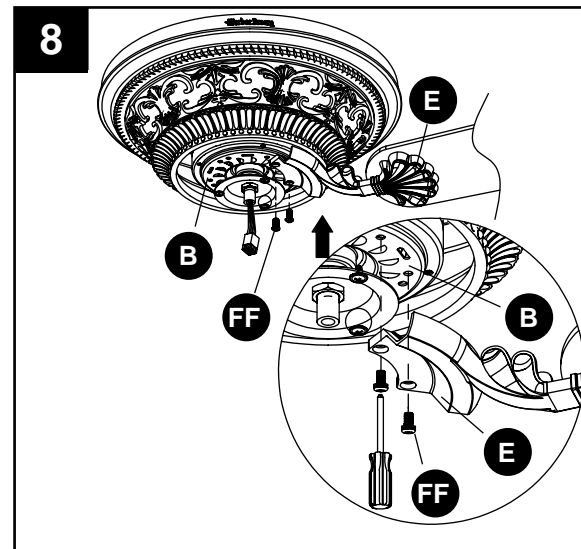
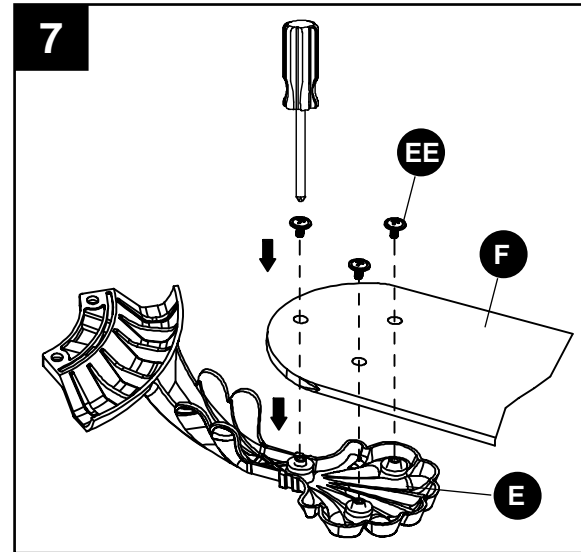


8. Align the holes between the blade bracket (E) and motor (B). Install the blade assembly to the motor (B) using blade bracket screws with washers (FF). Tighten each blade bracket screw with washer (FF) securely.
Repeat for the remaining blade assemblies.

Hardware Used

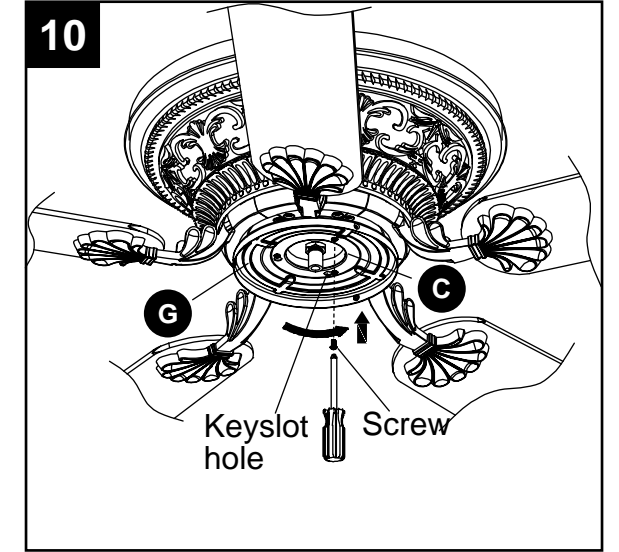


9. Loosen two screws and remove one screw from the switch housing plate (C).

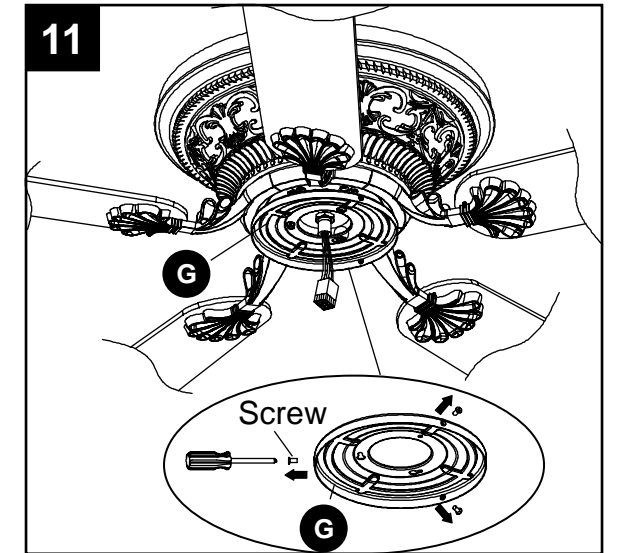


ASSEMBLY INSTRUCTIONS

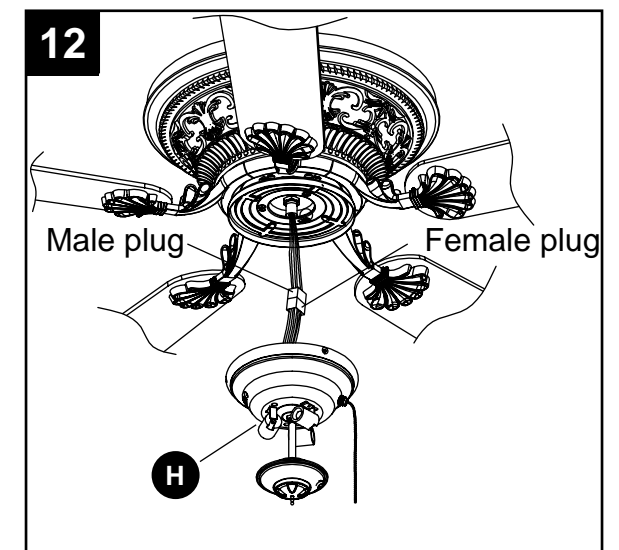
10. Insert the wires from the motor (B) through the middle hole in the switch housing (G). Attach the switch housing (G) to the switch housing plate (C). Align the keyslot holes and twist to lock.
Replace the screw previously removed (Step 9, page 8) and tighten all three screws.



11. Remove the preassembled screws from the switch housing (G).

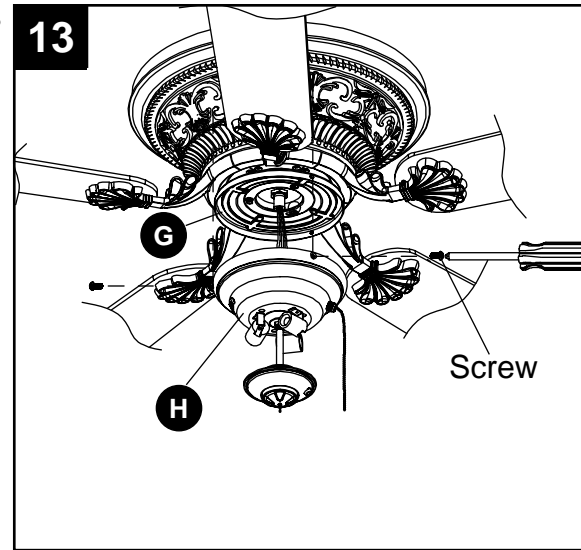


12. Connect male plug from fan to female plug from the light kit (H).

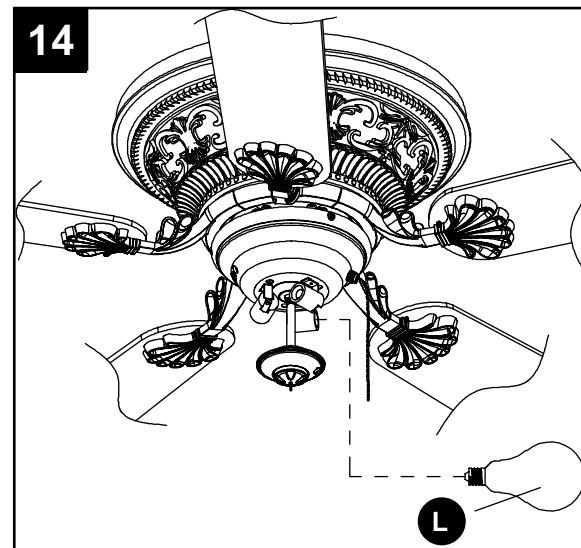


ASSEMBLY INSTRUCTIONS

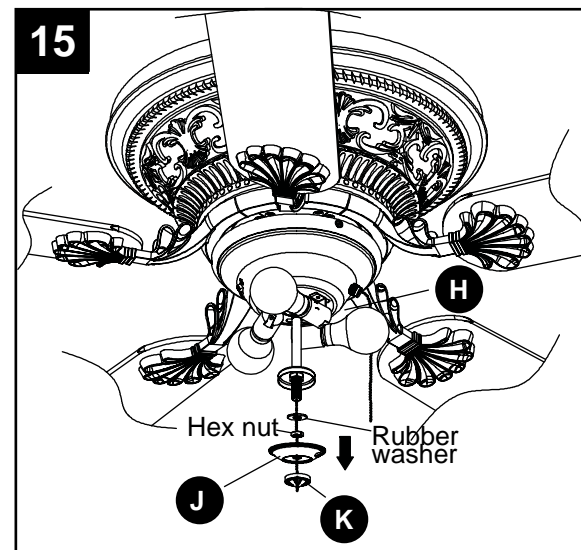
13. Attach light kit (H) to switch housing (G). Align the holes between the switch housing (G) and light kit (H). Install screws previously removed (Step 11, page 9) and securely tighten.



14. Install the bulbs (L) into sockets.



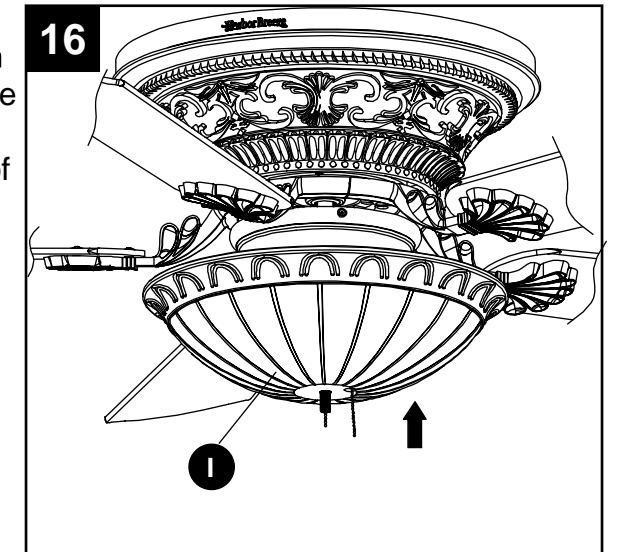
15. Remove the preassembled rubber washer, hex nut, bowl cap (J) and finial (K) from the light kit (H).



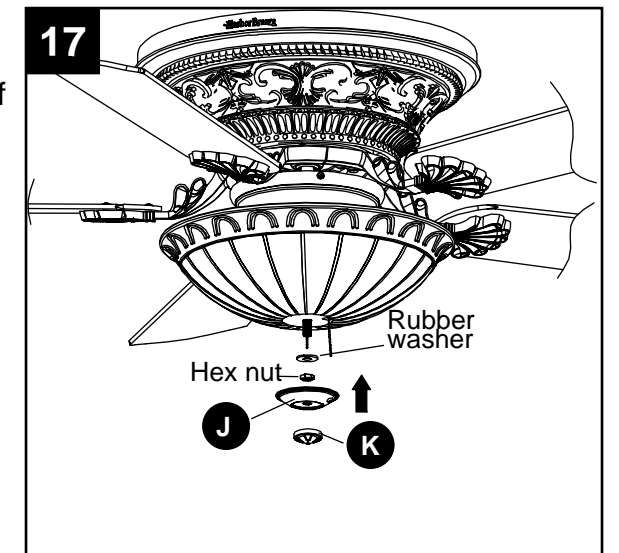
ASSEMBLY INSTRUCTIONS

16. Place glass bowl (I) on the preassembled pipe on light kit (H) until it is flush against the metal disk. Thread fan pull chain through side hole of glass bowl (I). Make sure pull chain hangs clear and is not tangled in light kit (H) socket. Thread light kit pull chain through center hole of glass bowl (I).

Note: Two people are recommended for this step.

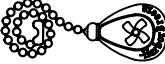
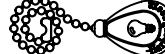


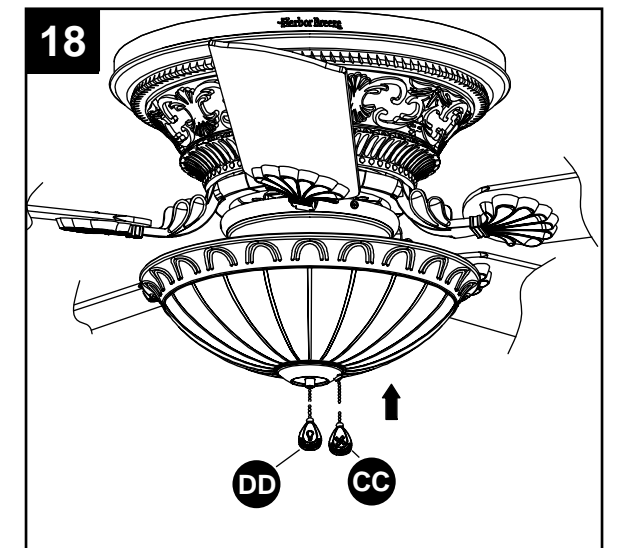
17. Place previously removed rubber washer and hex nut (Step 15, page 10) onto the pipe and securely tighten. Pass the fan pull chain through the side hole of the bowl cap (J), then place bowl cap (J) and finial (K) over pipe and securely tighten.



18. Attach the fan pull chain extension (CC) and light kit pull chain extension (DD) to corresponding chains.

Hardware Used

- CC Fan Pull Chain Extension  x 1
- DD Light Pull Chain Extension  x 1



OPERATING INSTRUCTIONS

PULL CHAIN:

- (1). The fan pull chain is for motor speed control: High, Medium, Low and Off. Pull the chain once for each position.
- (2). The light pull chain controls the light fixture either ON or OFF with each pull the chain.

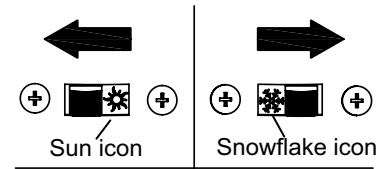
REVERSE SWITCH:

When the season changes, you may want to change the direction the fan spins. To switch between clockwise and counterclockwise rotation, flip the fan reversal switch.

NOTE: Wait for fan to stop before reversing the switch.

A. In warmer weather, counterclockwise rotation creates a downward airflow, which cools the air. Push the switch LEFT and see a Sun icon.

B. In cooler weather, clockwise rotation creates an upward airflow, which moves hot air from the ceiling into the room. Push the switch RIGHT and see a Snowflake icon.



CARE AND MAINTENANCE

- To reduce the risk of fire, electric shock or injury to persons, care and maintain this fan.
- **IMPORTANT:** Shut off main power supply before beginning any maintenance.
- Do not use water or detergents when cleaning the fan or fan blades. A dry dust cloth or lightly dampened cloth will be suitable for most cleaning.
- Clean fan housing with only a soft brush or lint-free cloth to avoid scratching the finish. Clean blades with a lint-free cloth. You may occasionally apply a light coat of furniture polish to blades for added protection.
- At least twice each year, lower motor housing to check fan motor assembly, and then tighten all screws on the fan.
- Bulb Replacement: Use three 60-watt max. type A15 candelabra-base bulbs.

TROUBLESHOOTING

PROBLEM	POSSIBLE CAUSE	CORRECTIVE ACTION
Fan blades do not move.	<ol style="list-style-type: none"> 1. Chain switch is "off". 2. Fan reversal switch not engaged. 3. Power is off or fuse is blown. 	<ol style="list-style-type: none"> 1. Pull chain switch. 2. Push switch firmly either way. 3. Turn power on or check fuse. 4. Turn power off. Loosen motor housing; check all connections.
Noisy operation.	<ol style="list-style-type: none"> 1. Blades are loose. 2. Cracked blade. 3. Non-approved speed control. 	<ol style="list-style-type: none"> 1. Tighten all blade screws. 2. Replace blades (call customer service). 3. Replace with an approved speed control device.
Excessive wobbling.	<ol style="list-style-type: none"> 1. Unbalanced blades. 2. Blades are loose. 3. Blade brackets incorrectly attached. 4. Fan not securely mounted. 	<ol style="list-style-type: none"> 1. Use balanced kits. 2. Tighten all blade screws. 3. Reinstall blade brackets. 4. Turn off power. Carefully loosen canopy; remount securely.

WARRANTY

The manufacturer warrants this fan to be free from defects in workmanship and material present at time of shipment from the factory for lifetime limited from the date of purchase. This warranty applies only to the original purchaser. The manufacturer agrees to correct such defect at no charge or at our option replace the ceiling fan with a comparable or superior model.

To obtain warranty service, present a copy of your sales receipt as proof of purchase. All cost of removal and reinstallation are the expressed responsibility of the purchaser. Any damage to the ceiling fan by accident, misuse or improper installation, or by affixing accessories not produced by the manufacturer of the fan, are at the purchaser's own responsibility. The manufacturer assumes no responsibility whatsoever for fan installation during the lifetime limited warranty. Any service performed by an unauthorized person will render the warranty invalid.

Due to varying climatic conditions, this warranty does not cover changes in brass finish, rusting, pitting, tarnishing, corroding or peeling. Brass finish fans maintain their beauty when protected from varying weather conditions. Any glass provided with this fan is not covered by the warranty. Any replacement of defective parts for the ceiling fan must be reported within the first year from the date of purchase. For the balance of the warranty, call our customer service department at 1-800-643-0067 for return authorization and shipping instructions so that we may repair or replace the ceiling fan. Any fan or parts returned improperly packaged is the sole responsibility of the purchaser. There is no further expressed warranty. The manufacturer disclaims any and all implied warranties.

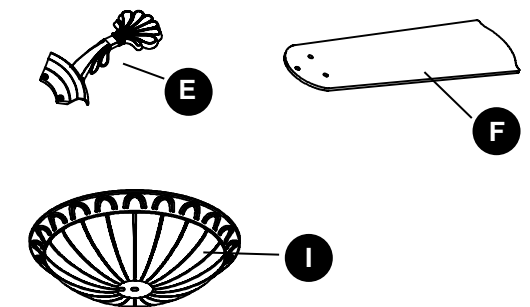
The duration of any implied warranty which can not be disclaimed is limited to the lifetime limited period as specified in our warranty. The manufacturer shall not be liable for incidental, consequential or special damages arising at or in connection with product use or performance except as may otherwise be accorded by law. This warranty gives you specific legal rights and you also have other rights which vary from state to state. This warranty supersedes all prior warranties.

Note: A small amount of "wobble" is normal and should not be considered a defect.

REPLACEMENT PARTS LIST

For replacement parts, call our customer service department at 1-800-643-0067, 8 a.m. - 6 p.m., EST, Monday - Thursday, 8 a.m. - 5 p.m., EST, Friday.

PART	DESCRIPTION	PART#
E	Blade bracket	104000-0316NG
F	Blade	108002-505975
I	Glass Bowl	991300-0544FF



Printed in China
Harbor Breeze® is a registered trademark of LF, LLC. All rights reserved.



Lowes.com/harborbreeze



Lowes.com/harborbreeze