



ITEM #0464467, 0464468, 0464469

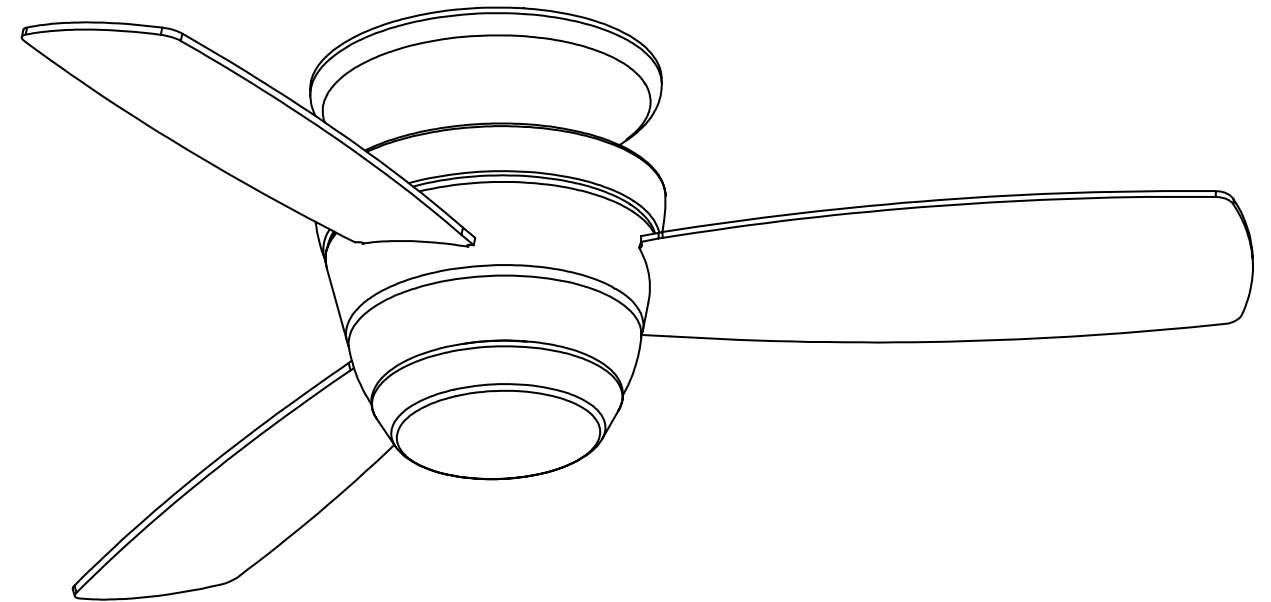
MAZON CEILING FAN

MODEL #00873, 00874, 00875

ETL MODEL #44-MZ

Harbor Breeze® is a registered trademark of LF, LLC. All Rights Reserved.

Español p. 16



ATTACH YOUR RECEIPT HERE

Serial Number _____ Purchase Date _____



Questions, problems, missing parts? Before returning to your retailer, call our customer service department at 1-800-643-0067, 8 a.m. - 6 p.m., EST, Monday - Thursday, 8 a.m. - 5 p.m., EST, Friday.



TABLE OF CONTENTS

Safety Information.....	3
Package Contents.....	4
Hardware Contents.....	5
Preparation.....	5
Assembly Instructions.....	6
Operating Instructions.....	11
Care and Maintenance.....	13
Troubleshooting.....	14
Warranty.....	15
Replacement Parts List	15

SAFETY INFORMATION

READ AND SAVE THESE INSTRUCTIONS

Please read and understand this entire manual before attempting to assemble, operate, or install the product.

- When using an existing outlet box, be sure the box is securely attached to the building structure and can support the full weight of the fan, so as to avoid potential serious injury or death.
- All wiring must be in accordance with the National Electrical Code “ANSI/NFPA 70-1999” and local electrical codes. Electrical installation should be performed by a qualified licensed electrician.
- **DO NOT** use bulbs with a wattage greater than the maximum value stated on the fixture and in this manual. Using a higher wattage bulb than specified will increase fixture temperature and cause risk of fire.
- Disconnect the electrical supply circuit to the fan before installing light kit.
- Electrical diagrams are for reference only.
- The net weight of this fan including the light kit is: 15.62 lbs.

WARNING

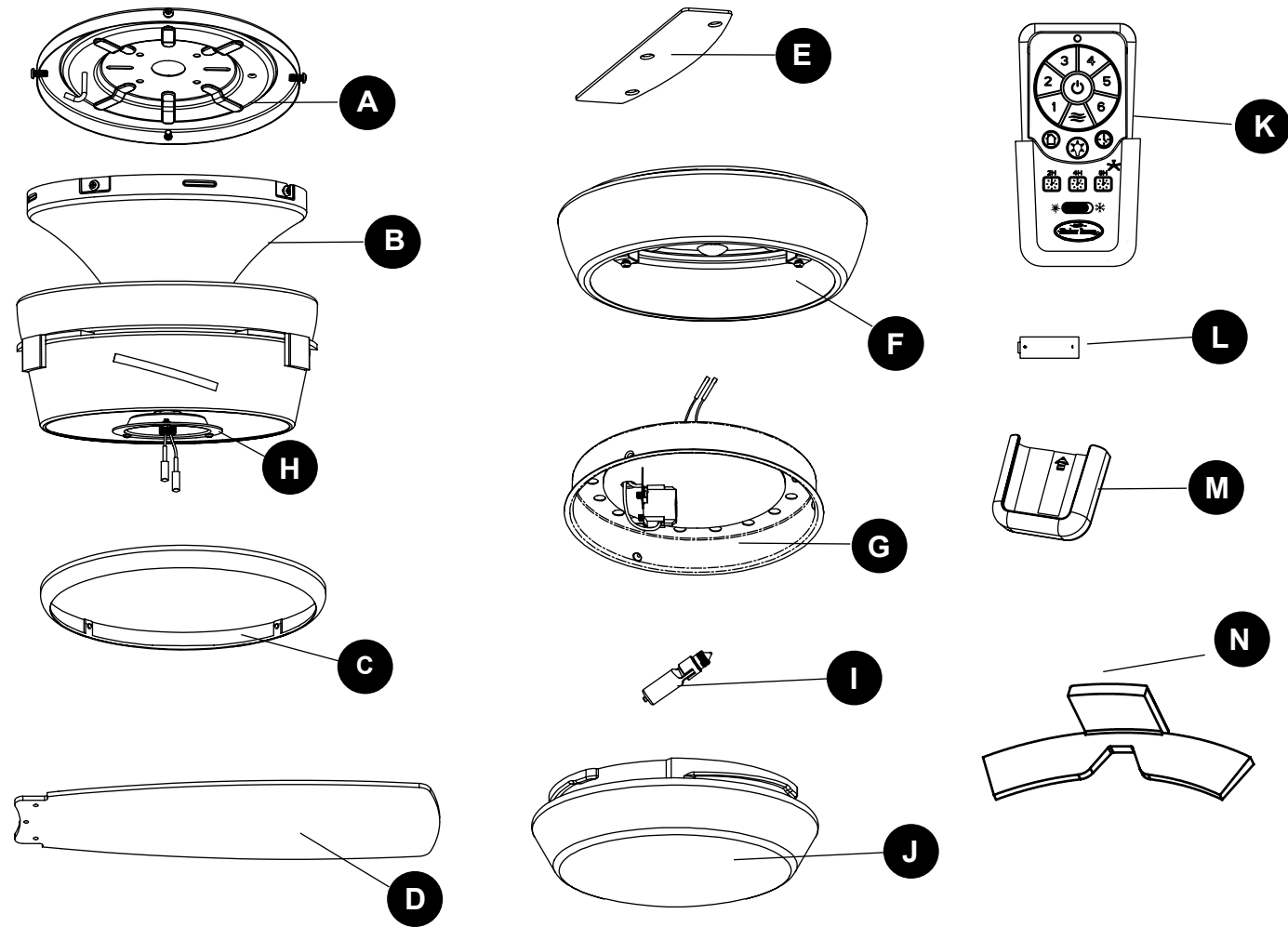
- **ELECTRIC SHOCK HAZARD** - To reduce the risk of electric shock, do not use this fan with any solid-state speed control device.
- **ELECTRIC SHOCK HAZARD** - To reduce the risk of electric shock, make sure electricity has been turned off at the circuit breaker or fuse box before beginning installation.
- **PERSONAL INJURY HAZARD** - To reduce the risk of injury to persons, install fan so that the blade is at least 7 ft. above the floor.
- **ELECTRIC SHOCK HAZARD** - Do not install this fan with wall-mounted solid-state speed control or wall-mounted light-dimmer control. It will permanently damage the fan’s remote control receiver and cause the fan’s functions to fail.
- **FIRE, ELECTRIC SHOCK OR PERSONAL INJURY HAZARD** - To reduce the risk of fire, electric shock, or personal injury, mount to outlet box marked “ACCEPTABLE FOR FAN SUPPORT OF 35.1 lbs OR LESS” and use mounting screws provided with the outlet box. Most outlet boxes commonly used for the support of lighting fixtures are not acceptable for fan support and may need to be replaced. Consult a qualified electrician if in doubt.

CAUTION

- **PERSONAL INJURY HAZARD** - Reduce the risk of personal injury, do not bend the blade brackets when installing the brackets, balancing the blades, or cleaning the fan. **DO NOT** insert foreign objects in between rotating fan blades.



PACKAGE CONTENTS



PART	DESCRIPTION	QUANTITY
A	Mounting Plate	1
B	Fan Motor	1
C	Trim Ring	1
D	Blade	3
E	Enhance Plate	3
F	Light Plate	1
G	Light Fixture	1
H	Switch Housing Plate (preassembled to Fan Motor (B))	1
I	Bulb	1
J	Glass	1
K	Remote Control	1
L	Battery	1
M	Wall Bracket	1
N	Rubber Shipping Stabilizer Tab (preassembled to fan motor (B))	3

HARDWARE CONTENTS (shown actual size)



PREPARATION

Before beginning assembly of product, make sure all parts are present. Compare parts with package contents list and hardware contents list. If any part is missing or damaged, do not attempt to assemble the product.

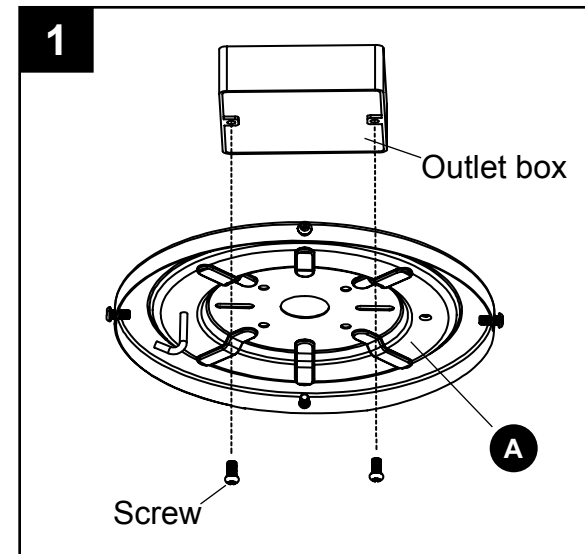
Estimated Assembly Time: 45 minutes

Tools Required for Assembly (not included): Phillips screwdriver, step ladder, electrical tape, pliers, wire cutters, wire strippers.

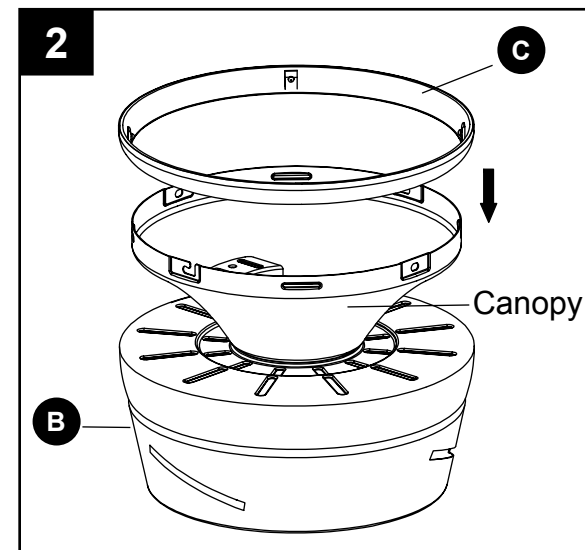


ASSEMBLY INSTRUCTIONS

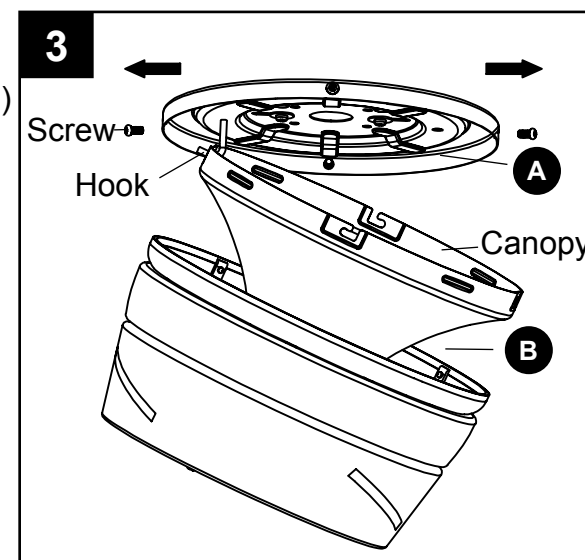
1. Attach mounting plate (A) to outlet box (not included) using two screws (not included). Securely tighten two outlet box screws. Pull black, white, and grounded wires out of outlet box and through the hole in the mounting plate (A).



2. Place trim ring (C) over canopy, and lay it on fan motor (B).



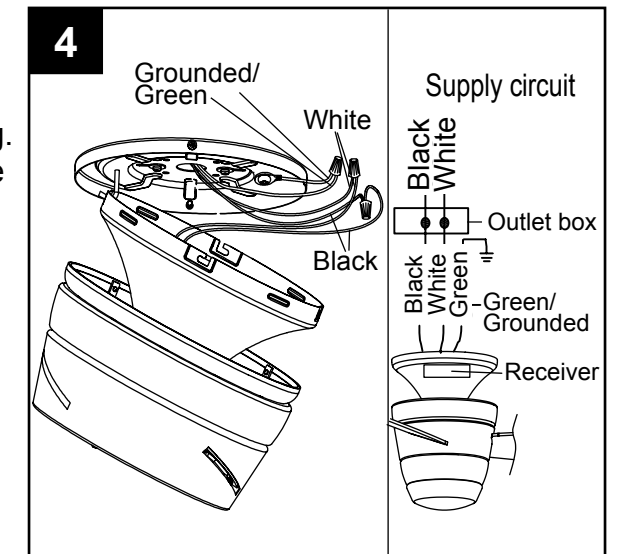
3. Loosen two preassembled screws across from each other on the mounting plate (A). Remove and save remaining two preassembled screws. Hang fan motor (B) on mounting plate (A) hook using one of the non-slotted holes in the canopy.



ASSEMBLY INSTRUCTIONS

4. Connect **BLACK** wire from fan to **BLACK** wire from ceiling. Connect **WHITE** wire from fan **WHITE** wire from ceiling. Connect all **GROUND (GREEN)** wires together from fan **GREEN/GROUNDED** wire from ceiling. Connecting the **GREEN/GROUNDED** wires is conducive to receive the signal of the remote control.

Note: Black wire is hot power for fan and light kit. White wire is common for fan and light kit. Green wire is grounded wire. If house wires are different colors than referred to above, stop immediately and consult a professional electrician to determine proper wiring.

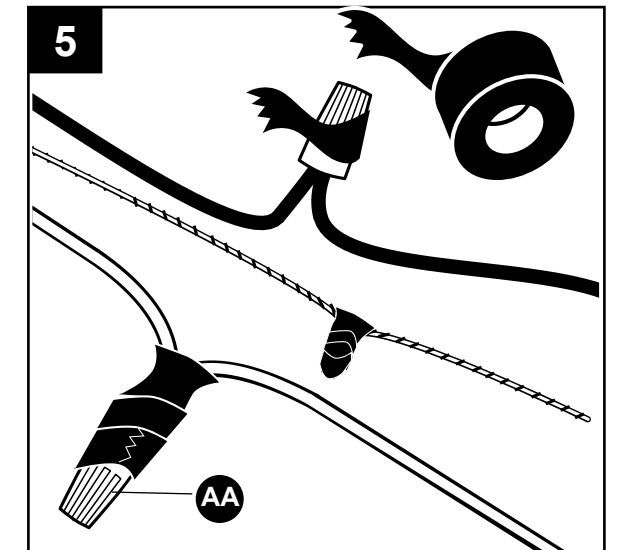


5. Twist wire ends together and screw wire connectors (AA) on in a clockwise direction. Tape wire connectors (AA) and wires together.

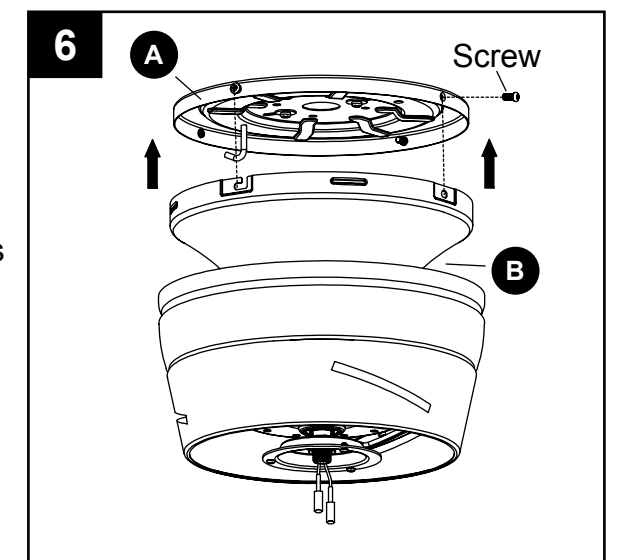
Note: Wires should be spread apart with grounded conductor and equipment-grounding conductor on one side of outlet box and ungrounded conductor on other side. After making connections, make sure bare wire or wire strands are NOT visible. Place green and white connections on opposite side of box from black and blue connections. Splices should be turned upward and pushed carefully up into outlet box.

Hardware Used

- AA** Wire Connector x 4

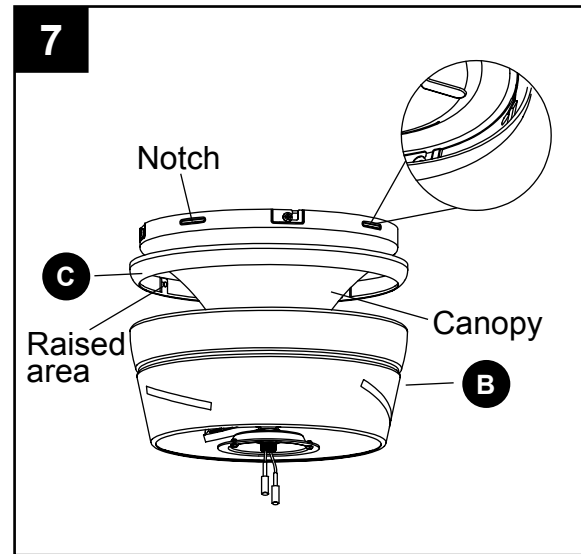


6. Align keyholes on fan motor (B) with protruding screw heads on mounting plate (A). Lift fan motor (B) up to mounting plate (A), making sure not to break any wire connection. Rotate clockwise until screw heads fully engage into keyholes. Insert previously removed screws (Step 3, page 6) and securely tighten all screws.



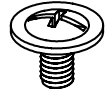
ASSEMBLY INSTRUCTIONS

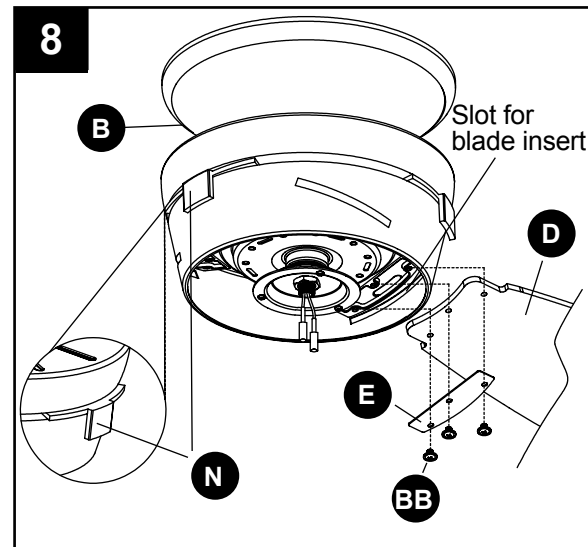
7. Align notches on fan motor (B) canopy with raised areas on inside of trim ring (C). Pop trim ring (C) into the canopy.



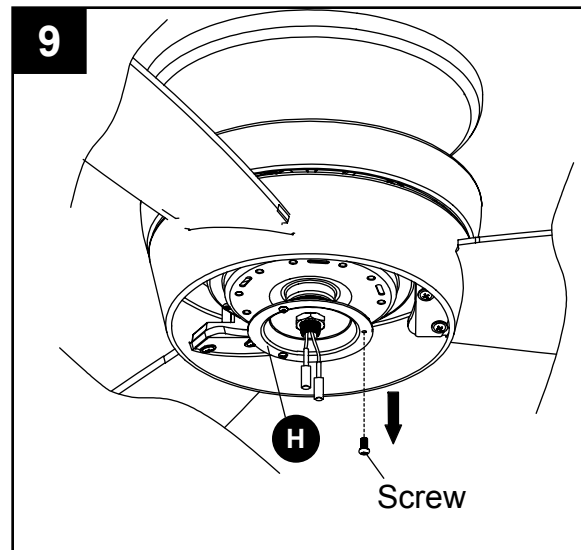
8. Remove and discard preassembled rubber shipping stabilizer tabs (N) from fan motor (B). Insert blade (D) into slot on fan motor (B). Secure blade (D) with enhance plate (E) and three blade screws (BB). Repeat for remaining blades (D), enhance plates (E) and blade screws (BB).

Hardware Used

BB Blade Screw  x 10

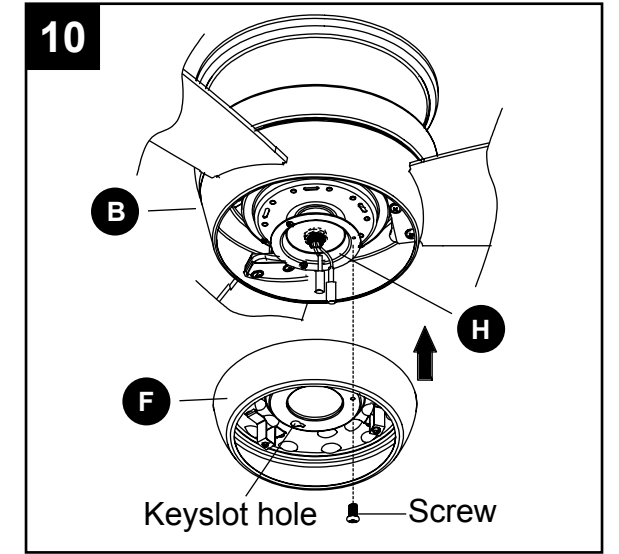


9. Loosen two screws from switch housing plate (H). Remove and save remaining screw.

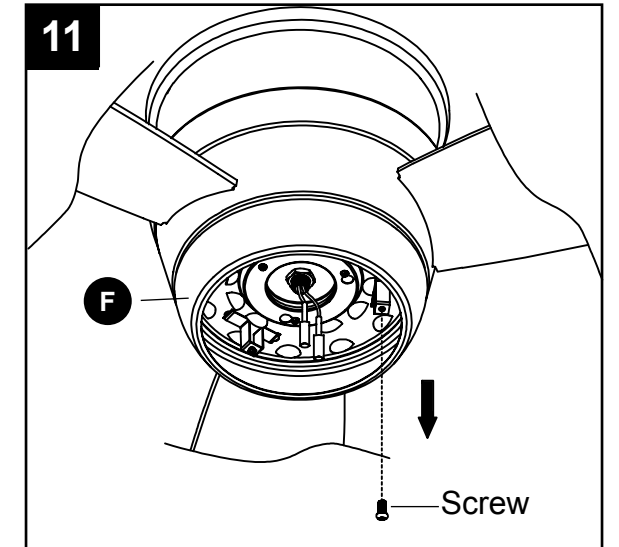


ASSEMBLY INSTRUCTIONS

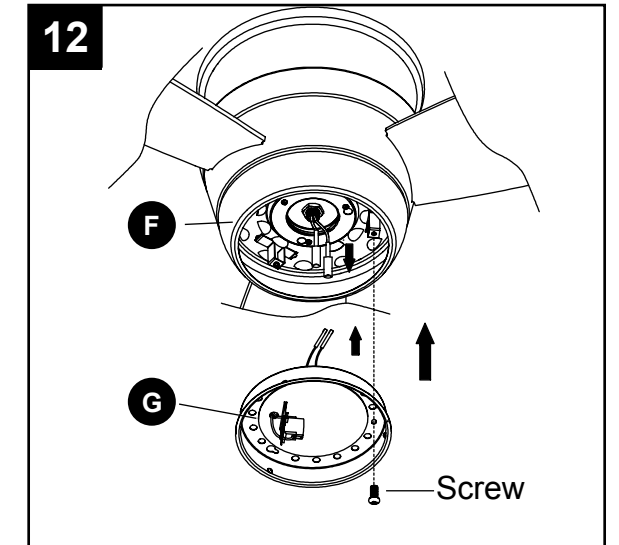
10. Insert wires from fan motor (B) through middle hole in light plate (F). Attach light plate (F) to switch housing plate (H). Align keyholes then twist to lock. Replace previously removed screw (Step 9, page 8) and securely tighten all screws.



11. Loosen two preassembled screws from light plate (F). Remove and save remaining preassembled screw from light plate (F).



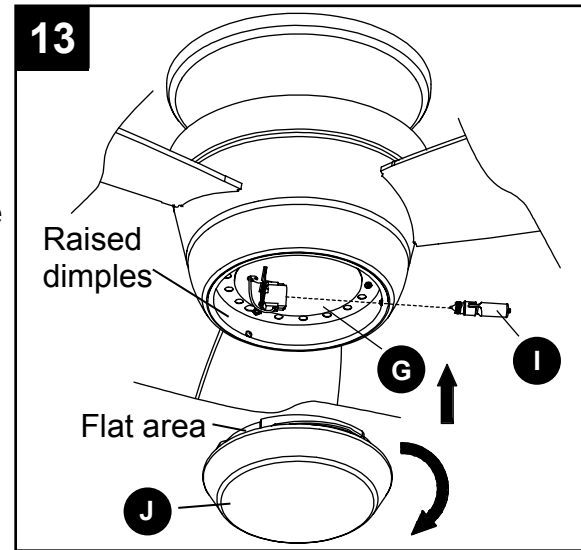
12. Connect **WHITE** wire from light plate (F) to **WHITE** wire from light fixture (G). Connect **BLUE** wire from light plate (F) to **BLACK** wire from light fixture (G). Align keyholes on light fixture (G) and light plate (F), and twist to lock. Replace previously removed screw (Step 11, page 9) and securely tighten all screws.



ASSEMBLY INSTRUCTIONS

13. Install bulb (I) into light fixture (G) socket. Place glass (J) into light fixture (G) and align three flat areas on top flange of glass (J) with three raised dimples in the light fixture (G). Turn glass (J) clockwise until it stops.

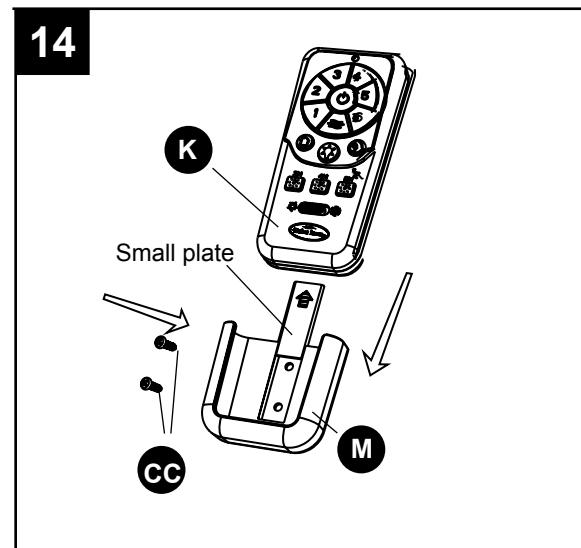
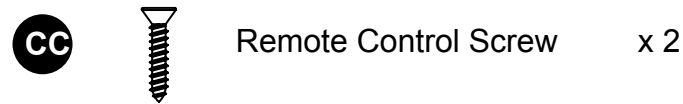
CAUTION: Avoid touching the bulb with bare hands. Be sure that the power is OFF and bulb is cool before replacing bulb or cleaning fixture.



OPTIONAL:

14. If desired, wall bracket (M) can be installed to house remote control (K). Remove small plate preassembled on the wall bracket (M) and use remote control screws (CC) to install wall bracket (M) to wall. Replace the small plate, then place remote control (K) into the wall bracket (M).

Hardware Used



OPERATING INSTRUCTIONS

REMOTE CONTROL TRANSMITTER:

Note: The receiver is already wired and built into the fan canopy from the factory. Receiver assembly is not needed. "Tap" refers to pressing a button on the remote for less than one second. "Press and hold" refers to pressing a button and holding the button down for one second then release the button.

After fan installation is completed properly and power is turned on, the fan receiver will produce two musical notes/sounds indicating that the power supply is normal. If no sounds are heard, please refer to **TROUBLESHOOTING** section on page 14.

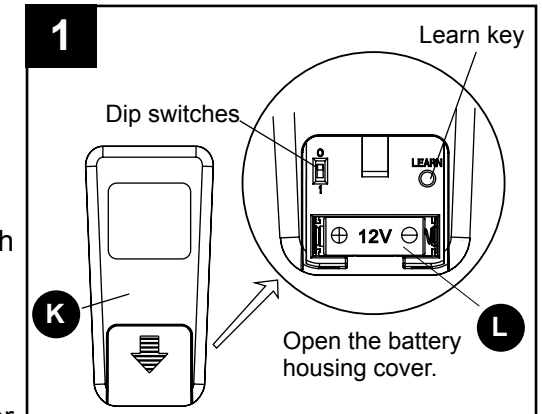
1. Install Battery:

Remove the battery cover from the remote control (K), and install the battery (L). Replace the cover.

2. Learning/Pairing (See Fig. 1):

The dip switch in the remote control (K) has been set to "0" to match the receiver in the fan. If there is more than one remote control in a room, changing dip switch settings may be needed.

To change a dip switch setting, slide the switch inside the battery compartment to "1", turn off power to the fan, then turn on the power. The fan receiver should make two musical notes/sounds indicating that the power supply is normal. Within 30 seconds of hearing notes/sounds, tap the "learn" key on the back of the remote control (K). If learning is successful, the fan light will blink three times and turn on. **Note:** The fan will run at the highest speed in corresponding direction per seasonal slide switch.

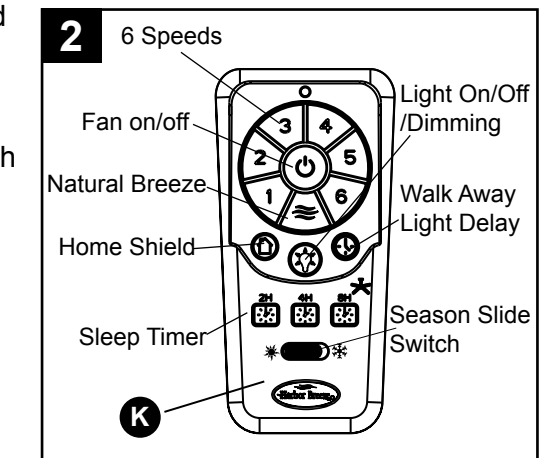


3. Season Slide Switch:

When the season changes, you may want to change the direction your fan spins. To switch between clockwise and counterclockwise rotation, flip the season slide switch.

Note: Wait for fan to stop before reversing switch.

- In warmer weather, counterclockwise rotation creates a downward air flow, which cools the air. Push the switch LEFT and see a Sun icon. Receiver will make 3 musical sounds.
- In cooler weather, clockwise rotation creates an upward air flow, which moves hot air from the ceiling into the room. Push the switch RIGHT and see a Snowflake icon. Receiver will make 3 musical sounds.



OPERATING INSTRUCTIONS

4. Fan Speeds: 6 speeds and Natural Breeze (See Fig. 2):

- Tap “1”, “2”, “3”, “4”, “5” or “6” key to switch fan to corresponding speed, “1” being the lowest and “6” being the highest. The fan receiver will make a musical sound at each setting change.
- Tap “≡” key to enter Natural Breeze mode. Receiver will make two musical sounds. Natural Breeze mode will simulate a natural breeze, like being outside. (Fan blades will turn at different speeds randomly.)
- To exit Natural Breeze mode, tap “⏻” then one of the numerical settings to shift to relative key function/speed.

5. Fan On/Off (See Fig. 2):

- Fan On/Off controls power to the fan.
- When fan is on, tap “⏻” key. Fan will turn off and receiver will produce two musical notes/sounds.
- When fan is off, tap “⏻” key. Fan has memory and turns fan to most recent fan speed.

6. Musical Note/Sound Indicator On/Off (See Fig. 2):

- Press and hold “⏻” key to turn the Musical Note/Sound indicator On or Off. **Note:** The receiver will produce two musical notes/sounds each time the beep indicator is turned Off or On.

7. Light On/Off/Dimming (See Fig. 2):

- Tap “★” to turn light on/off; press and hold for dimming.

8. Walk Away Light Delay (See Fig. 2):

- Using this button automatically turns off the light 1 minute after button is pressed.
- Tap “⌚” once, light on ceiling fan blinks once to confirm Walk Away Light Delay is active, the light and fan turn off after 1 minute.
- During Walk Away Light Delay mode, press any other key to cancel function.

9. Home Shield (See Fig. 2):

- Using this button will randomly turn lights on and off to give the illusion that someone is at home.
- Tap Home Shield button “🏠”, light on ceiling fan blinks two times to confirm Home Shield is active. Fan is off and the light will cycle through both A and B modes described below:
- A mode: Light randomly turns on for 5–20 minutes.
- B mode: Light is off for 60 minutes.
- During Home Shield mode, press any other key to cancel function.

10. Sleep Timer (See Fig. 2):

- Using these buttons will turn fan off automatically after a 2-hour, 4-hour, or 8-hour duration.
- Turn the fan on at the desired speed.
- Tap “2H”, “4H”, or “8H” key. The fan will turn off automatically after desired time has expired.
- Receiver will produce three musical notes/sounds. During Sleep Timer mode, tap “⏻” key to exit sleep timer mode. Tap “⌚” or “🏠” to also exit sleep timer and shift to relative key function.

11. Power Off Memory (See Fig. 2):

- Using this button resumes the settings used on the fan prior to the power being turned off.
- If the fan was in sleep timer mode before power is turned Off, fan will be off when power is turned back On.
- If the fan is in the Walk Away Light Delay mode before power is turned Off, both the fan and light will be off when power is turned back On.

CARE AND MAINTENANCE

- To reduce the risk of fire, electric shock or injury to persons, care and maintain this fan.
- **IMPORTANT:** Shut off main power supply before beginning any maintenance.
- DO NOT use water or detergents when cleaning the fan or fan blades. A dry dust cloth or lightly dampened cloth will be suitable for most cleaning.
- Clean fan housing with only a soft brush or lint-free cloth to avoid scratching the finish. Clean blades with a lint-free cloth. You may occasionally apply a light coat of furniture polish to blades for added protection.
- At least twice each year, tighten all screws and lower canopy to check mounting bracket screws and downrod assembly.
- Bulb Replacement: Use 75-watt max. type-E11 halogen-base bulbs.



TROUBLESHOOTING

PROBLEM	POSSIBLE CAUSE	CORRECTIVE ACTION
Fan blades do not move.	1. Power is off or fuse is blown.	1. Turn power on or check fuse. 2. Turn power off. Loosen motor housing; check all connections.
Noisy operation.	1. Blades are loose. 2. Cracked blade.	1. Tighten all blade screws. 2. Replace blades (call customer service).
Excessive wobbling.	1. Blades are loose. 2. Unbalanced blades. 3. Fan not securely mounted.	1. Tighten all blade screws. 2. Use balance kit. 3. Turn power off. Carefully loosen canopy and remount securely.
Remote control malfunction.	1. No sound after fan power is on. 2. No flash on transmitter LED. 3. The remote control does not work.	1. Please check if the power supply is connected properly and main power is on. 2. Please check if the battery is installed into the remote control. Make sure the battery is installed properly. One side of the battery is positive and the other is negative. 3. Try to Pair the remote control to the receiver following these steps: Turn the power to the fan off, then turn the power to the fan on and you should hear the fan receiver produce two musical notes/sounds indicating that the power supply is normal. Within 30 seconds of hearing the two sounds, tap the "learn" key at the back of the transmitter. The Indication of a successful learning process: Light (if installed) will blink 3 times and turn On, fan is in highest speed in corresponding direction per the seasonal slide switch.

WARRANTY

The manufacturer warrants this fan to be free from defects in workmanship and material present at time of shipment from the factory for lifetime limited from the date of purchase. This warranty applies only to the original purchaser. The manufacturer agrees to correct such defect at no charge or at our option replace the ceiling fan with a comparable or superior model.

To obtain warranty service, present a copy of your sales receipt as proof of purchase. All cost of removal and reinstallation are the expressed responsibility of the purchaser. Any damage to the ceiling fan by accident, misuse or improper installation, or by affixing accessories not produced by the manufacturer of the fan, are at the purchaser's own responsibility. The manufacturer assumes no responsibility whatsoever for fan installation during the lifetime limited warranty. Any service performed by an unauthorized person will render the warranty invalid.

Due to varying climatic conditions, this warranty does not cover changes in brass finish, rusting, pitting, tarnishing, corroding or peeling. Brass finish fans maintain their beauty when protected from varying weather conditions. Any glass provided with this fan is not covered by the warranty. Any replacement of defective parts for the ceiling fan must be reported within the first year from the date of purchase. For the balance of the warranty, call our customer service department at 1-800-643-0067 for return authorization and shipping instructions so that we may repair or replace the ceiling fan. Any fan or parts returned improperly packaged is the sole responsibility of the purchaser. There is no further expressed warranty. The manufacturer disclaims any and all implied warranties.

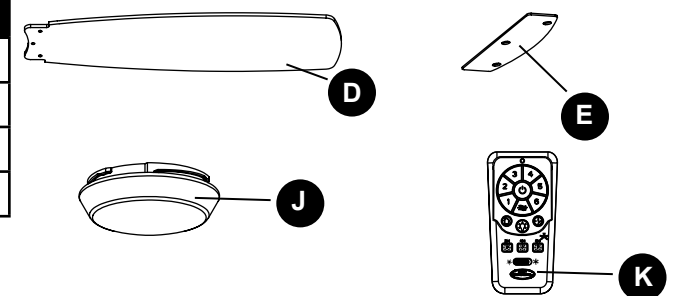
The duration of any implied warranty which can not be disclaimed is limited to the lifetime limited period as specified in our warranty. The manufacturer shall not be liable for incidental, consequential or special damages arising at or in connection with product use or performance except as may otherwise be accorded by law. This warranty gives you specific legal rights and you also have other rights which vary from state to state. This warranty supersedes all prior warranties.

Note: A small amount of "wobble" is normal and should not be considered a defect.

REPLACEMENT PARTS LIST

For replacement parts, call our customer service department at 1-800-643-0067, 8 a.m. - 6 p.m., EST, Monday - Thursday, 8 a.m. - 5 p.m., EST, Friday.

PART	DESCRIPTION	PART#
D	Blade	108002-5060**
E	Enhance Plate	104300-0018BK
J	Glass	991300-0545AQ
K	Remote Control	990319-011400



Printed in China
Harbor Breeze® is a registered trademark of LF, LLC. All rights reserved.



Lowes.com/harborbreeze





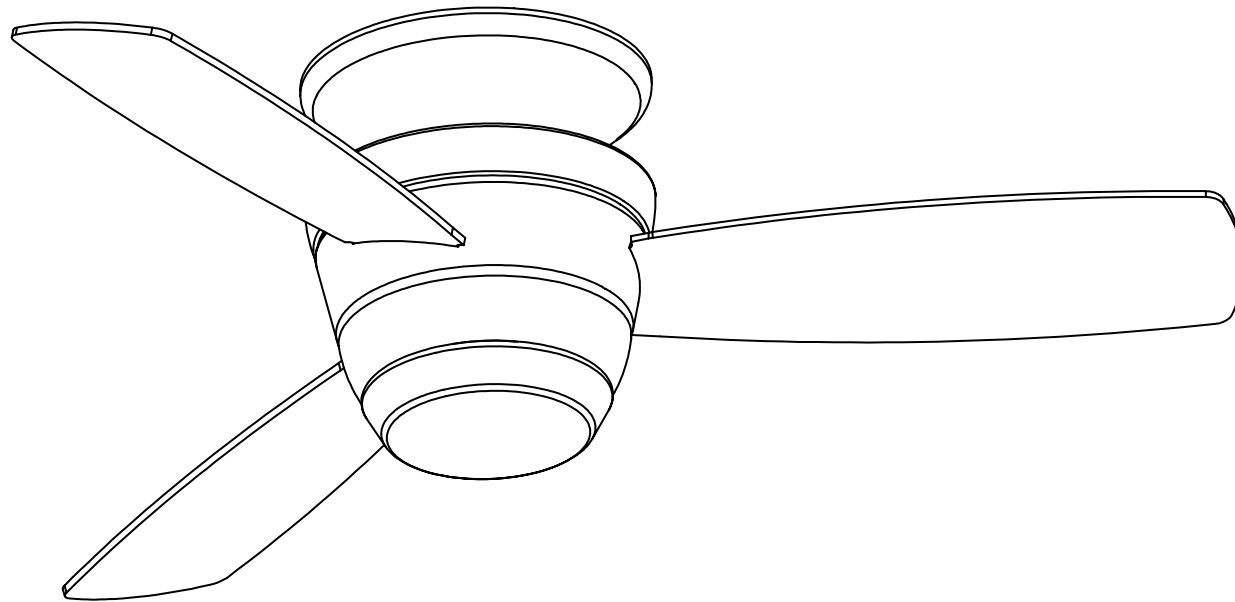
ARTÍCULO #0464467, 0464468, 0464469

VENTILADOR DE TECHO MAZON

MODELO #00873, 00874, 00875

ETL MODELO #44-MZ

Harbor Breeze® es una marca registrada de LF ,
LLC. Todos los derechos reservados.



ÍNDICE

Información de seguridad.....	18
Contenido del paquete.....	19
Aditamentos.....	20
Preparación.....	20
Instrucciones de ensamblaje.....	21
Instrucciones de funcionamiento.....	26
Cuidado y mantenimiento.....	28
Solución de problemas.....	29
Garantía.....	30
Lista de piezas de repuesto.....	30

ADJUNTE SU RECIBO AQUÍ

Número de serie _____ Fecha de compra _____



¿Preguntas, problemas, piezas faltantes? Antes de volver a la tienda, llame a nuestro Departamento de Servicio al Cliente al 1-800-643-0067 de lunes a jueves de 8 a.m. a 6 p.m., y los viernes de 8 a.m. a 5 p.m., hora estándar del Este.



Lowes.com/harborbreeze



Lowes.com/harborbreeze

! INFORMACIÓN DE SEGURIDAD

LEA Y GUARDE ESTAS INSTRUCCIONES

Lea y comprenda completamente este manual antes de intentar ensamblar, usar o instalar el producto.

- Cuando use una caja de salida que existe, asegúrese de que la caja esté sujeta de forma segura a la estructura del edificio y que pueda soportar el peso completo del ventilador, para evitar potenciales lesiones graves o la muerte.
- Todo el cableado debe cumplir el Código Eléctrico Nacional “ANSI/NFPA 70-1999” y todos los códigos eléctricos locales. La instalación eléctrica debe ser realizada por un electricista calificado.
- NO UTILICE bombillas de un vataje mayor al valor máximo establecido en el ensamble y en este manual. La utilización de una bombilla cuyo vataje sea mayor que el especificado incrementará la temperatura del ensamble pudiendo causar un incendio.
- Desconecte el circuito de suministro de electricidad del ventilador antes de instalar el kit de iluminación.
- Los diagramas eléctricos tienen una finalidad de referencia únicamente.
- El peso neto de este ventilador, incluido el kit de iluminación, es: 7,10 kg.

! ADVERTENCIA

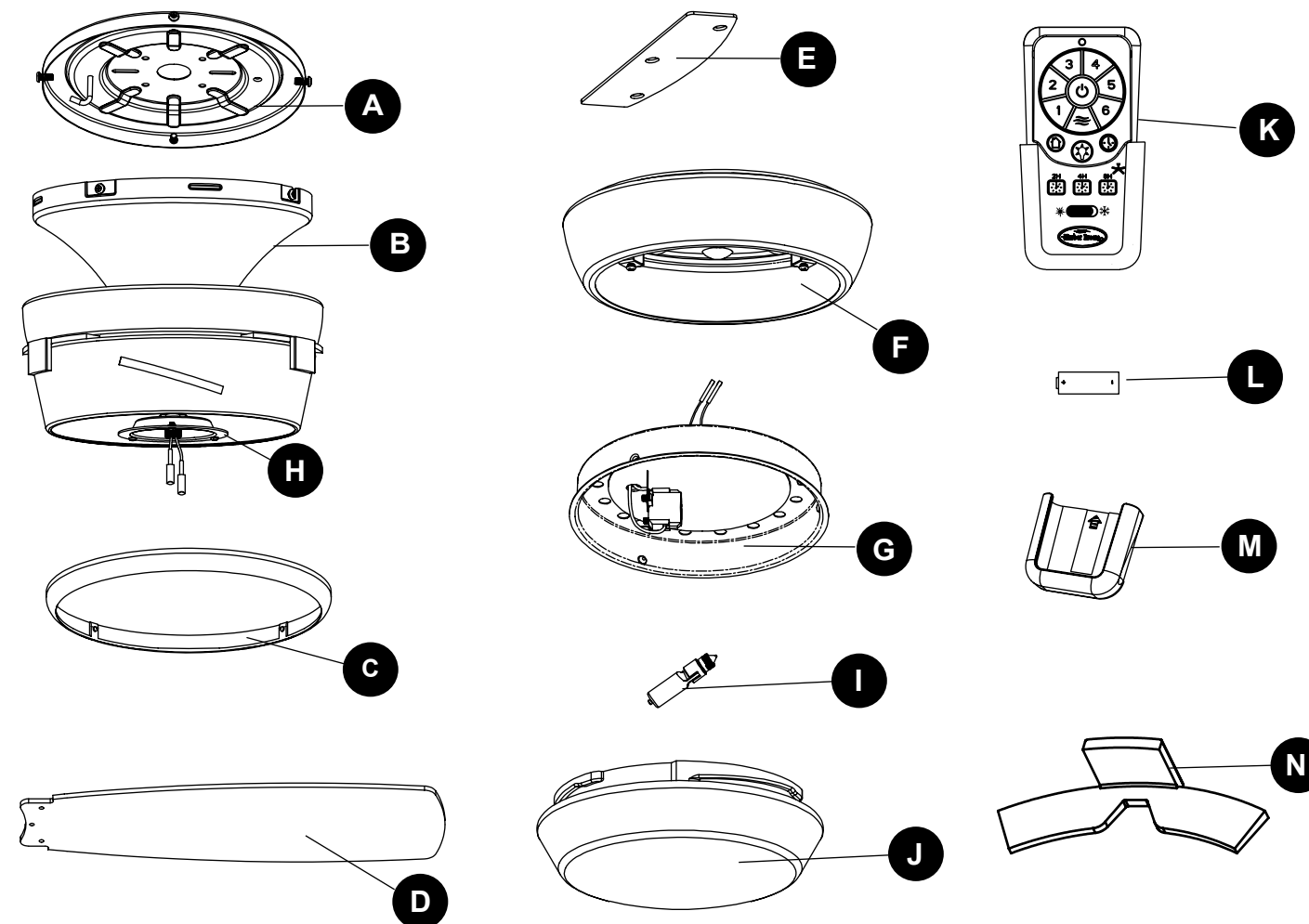
- **RIESGO DE DESCARGA ELÉCTRICA:** Para reducir el riesgo de incendios o descargas eléctricas, no use este ventilador con dispositivos de control de velocidad de estado sólido.
- **RIESGO DE DESCARGA ELÉCTRICA:** Para reducir el riesgo de descargas eléctricas, asegúrese de cortar la electricidad en la caja del interruptor de circuito o en la caja de fusibles antes de comenzar la instalación.
- **RIESGO DE LESIONES PERSONALES:** Para reducir el riesgo de lesiones a personas, instale el ventilador de forma que el aspa esté a por lo menos 2,13 m sobre el piso.
- **RIESGO DE DESCARGA ELÉCTRICA:** No instale este ventilador con un control de velocidad de estado sólido para montaje en la pared ni con un control de regulación de luz para montaje en la pared. Dañará el receptor del control remoto del ventilador de manera permanente y ocasionará fallas en las funciones del ventilador.
- **RIESGO DE LESIONES PERSONALES, INCENDIO O DESCARGA ELÉCTRICA:** Para reducir el riesgo de incendio, descargas eléctricas o lesiones personales, monte el ventilador en una caja de salida marcada como “ACCEPTABLE FOR FAN SUPPORT OF 35 LBS. OR LESS” (apta para sostener ventiladores de 15,88 kg o menos) y utilice los tornillos de montaje que se proporcionan con la caja de salida. La mayoría de las cajas de salida que se usan comúnmente para sostener ensambles de iluminación no son aptas para sostener un ventilador y puede ser necesario reemplazarlas. Si tiene dudas, consulte a un electricista calificado.

PRECAUCIÓN

- **RIESGO DE LESIONES PERSONALES:** Para reducir el riesgo de lesiones personales, no doble las abrazaderas de las aspas al instalarlas, equilibrar las aspas o limpiar el ventilador. NO inserte objetos extraños entre las aspas del ventilador giratorias.



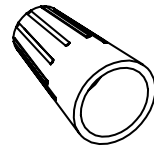
CONTENIDO DEL PAQUETE



PIEZA	DESCRIPCIÓN	CANTIDAD
A	Placa de montaje	1
B	Motor del ventilador	1
C	Anillo de reborde	1
D	Aspa	3
E	Placa de refuerzo	3
F	Placa de iluminación	1
G	Lámpara	1
H	Placa de la carcasa del interruptor (preensamblada en el motor del ventilador (B))	1
I	Bombilla	1
J	Vidrio	1
K	Control remoto	1
L	Batería	1
M	Abrazadera de pared	1
N	Lengüeta estabilizadora de goma para transporte (preensamblada en el motor del ventilador (B))	3

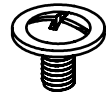


AA



Conector de cables
Cant. 4

BB



Tornillo para aspa
Cant. 10

CC



Tornillo del control remoto
Cant. 2

PREPARACIÓN

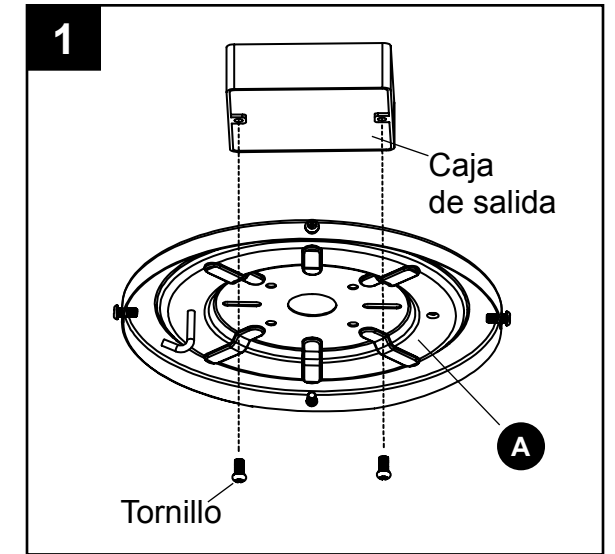
Antes de comenzar a ensamblar el producto, asegúrese de tener todas las piezas. Compare las piezas con la lista del contenido del paquete y la lista de aditamentos. No intente ensamblar el producto si falta alguna pieza o si estas están dañadas.

Tiempo estimado de ensamblaje: 45 minutos

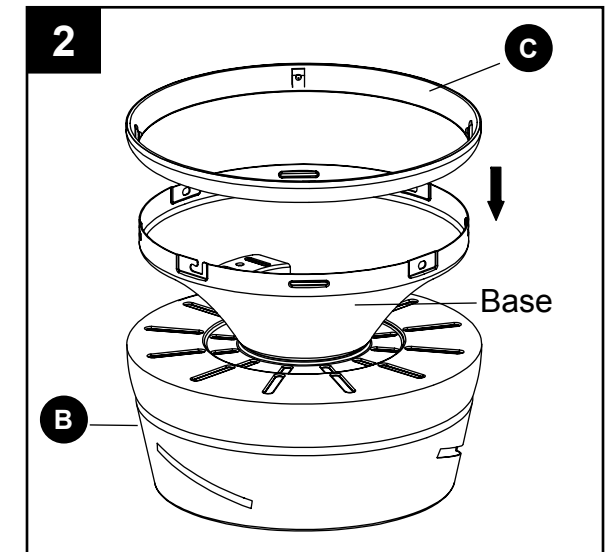
Herramientas necesarias para ensamblar y realizar la prueba de fugas (no se incluyen): Destornillador Phillips, escalera de tijera, cinta aislante, pinzas, pinzas cortacables, pinzas pelacables.

INSTRUCCIONES DE ENSAMBLAJE

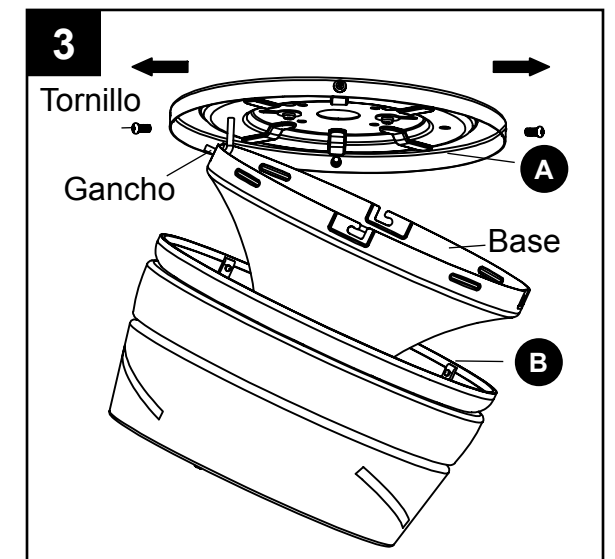
1. Fije la placa de montaje (A) a la caja de salida (no se incluye) con dos tornillos (no se incluyen). Apriete firmemente los dos tornillos de la caja de salida. Jale los conductores negro, blanco y de puesta a tierra hacia fuera de la caja de salida y páselos por el orificio de la placa de montaje (A).



2. Coloque el anillo de reborde (C) sobre la base y deposítelo sobre el motor del ventilador (B).



3. Afloje dos tornillos preensamblados, uno frente a otro, en la placa de montaje (A). Retire los dos tornillos preensamblados que quedan y guárdelos. Cuelgue el motor del ventilador (B) en el gancho de la placa de montaje (A) usando uno de los orificios sin ranura en la base.



INSTRUCCIONES DE ENSAMBLAJE

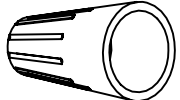
4. Conecte el conductor **NEGRO** del ventilador al conductor **NEGRO** del techo. Conecte el conductor **BLANCO** del ventilador al conductor **BLANCO** del techo. Conecte todos los conductores de **PUESTA A TIERRA (VERDES)** del ventilador con el conductor **VERDE** del techo. Conexión del cable de **PUESTA A TIERRA (VERDES)** es propicio para recibir la señal del mando a distancia.

Nota: El conductor negro es el que proporciona alimentación al ventilador y al kit de iluminación. El conductor blanco es el conductor común para el ventilador y el kit de iluminación. El conductor azul es el que proporciona alimentación al kit de iluminación. El conductor blanco es el conductor común para el ventilador y el kit de iluminación. El conductor verde es de puesta a tierra. Si los cables de la casa no tienen los colores que se mencionaron anteriormente, deténgase de inmediato y consulte con un electricista profesional para determinar el cableado correcto.

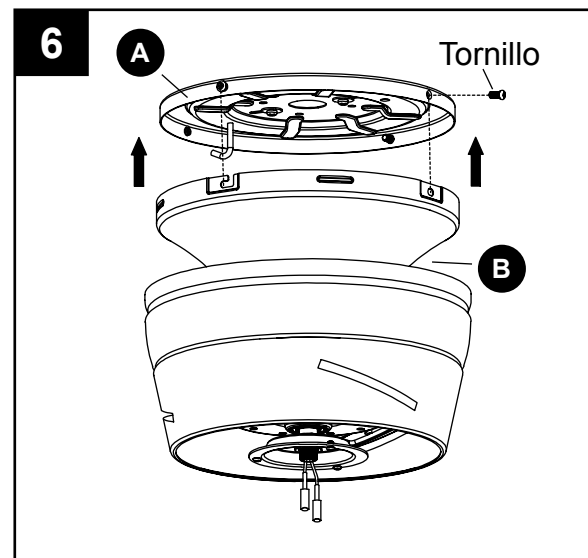
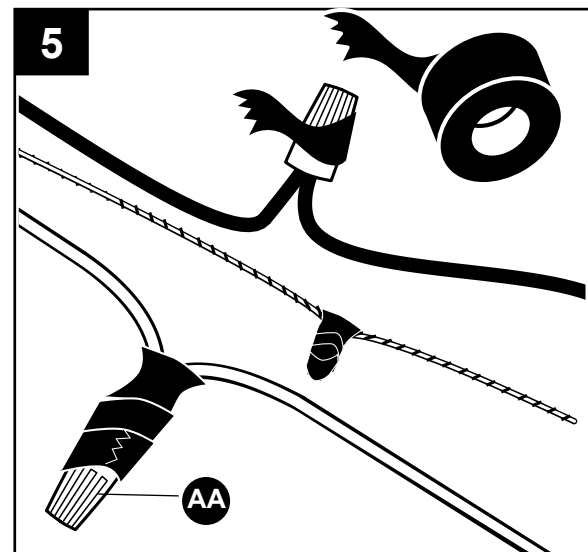
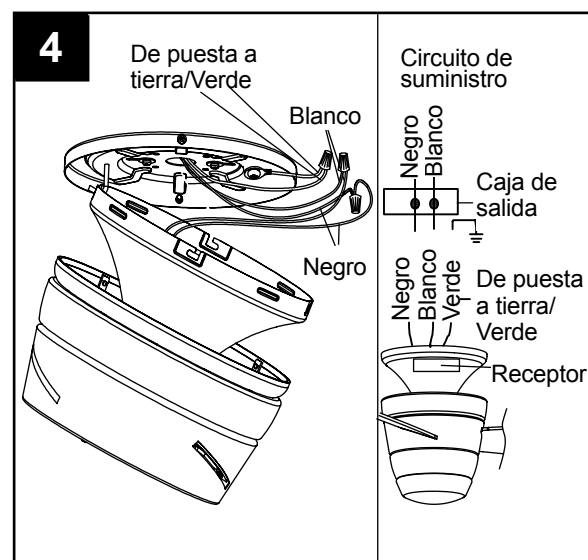
5. Tuerza los extremos de los conductores y enrosque los conectores de cables (AA) en dirección de las manecillas del reloj. Una los conectores de cables (AA) y los conductores con cinta aislante.

Nota: Los cables deben separarse del conductor de puesta a tierra, el conductor de puesta a tierra del equipo en un lado de la caja de salida y el conductor que no es de puesta a tierra en el otro lado. Después de hacer las conexiones, asegúrese de que **NO** haya conductores desnudos ni filamentos de conductores visibles. Coloque las conexiones verdes y blancas en el lado opuesto de la caja donde se ubican las conexiones negras y azules. Los empalmes deben girarse hacia arriba y empujarse con cuidado hasta introducirlos en la caja de salida.

Aditamentos utilizados

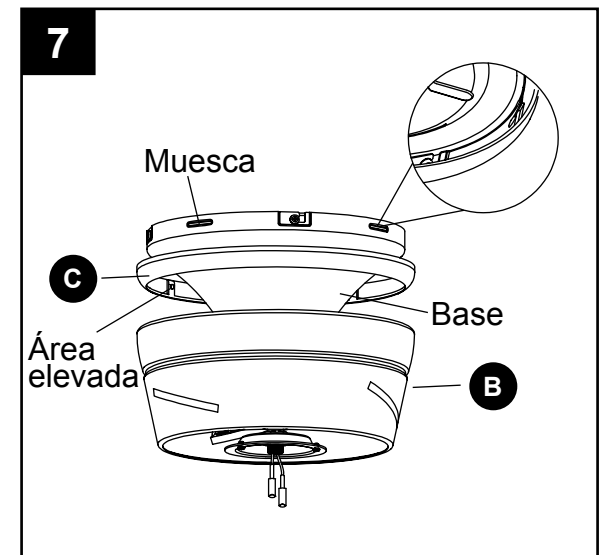
- AA** Conector de cables  x 4

6. Alinee los chaveteros del motor del ventilador (B) con las cabezas de tornillo sobresalientes en la placa de montaje (A). Levante el motor del ventilador (B) hasta la placa de montaje (A) y asegúrese de no romper ninguna conexión de conductores. Gire en dirección de las manecillas del reloj hasta que las cabezas de tornillo calcen por completo en los chaveteros. Instale los tornillos que retiró con anterioridad (paso 3, página 21) y apriete firmemente todos los tornillos.




INSTRUCCIONES DE ENSAMBLAJE

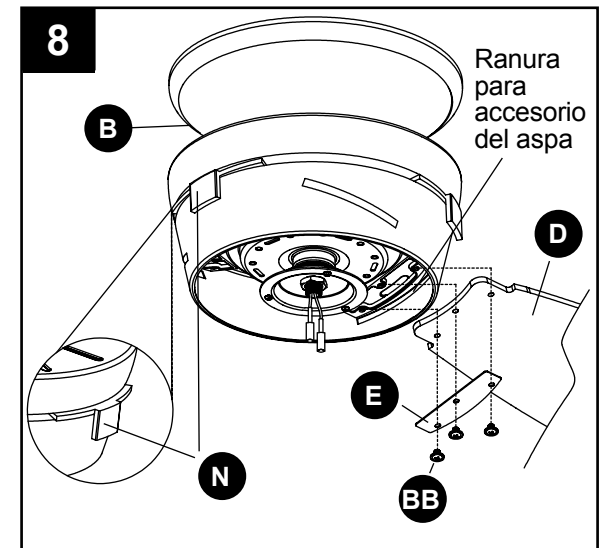
7. Alinee las muescas en la base del motor del ventilador (B) con las áreas elevadas en el interior del anillo de reborde (C). Instale el anillo de reborde (C) en la base.



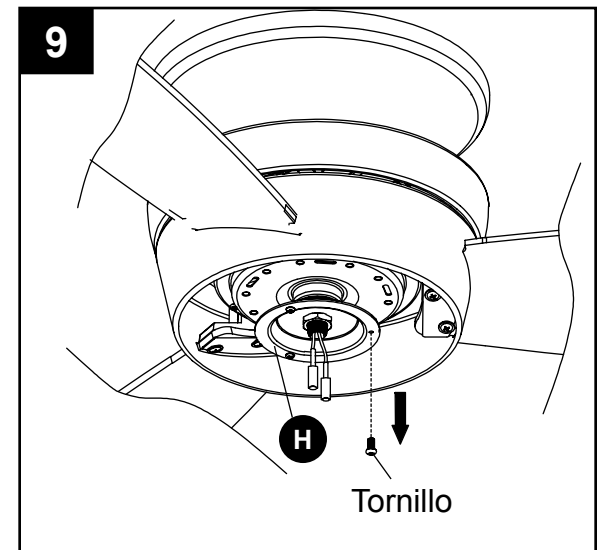
8. Retire y deseche las lengüetas estabilizadoras de goma para transporte (N) del motor del ventilador (B). Introduzca un aspa (D) en la ranura del motor del ventilador (B). Fije el aspa (D) con la placa de refuerzo (E) y tres tornillos del aspa (BB). Repita este paso para las aspas (D), las placas de refuerzo (E) y los tornillos para aspa (BB) restantes.

Aditamentos utilizados

- BB** Tornillo para aspa  x 10

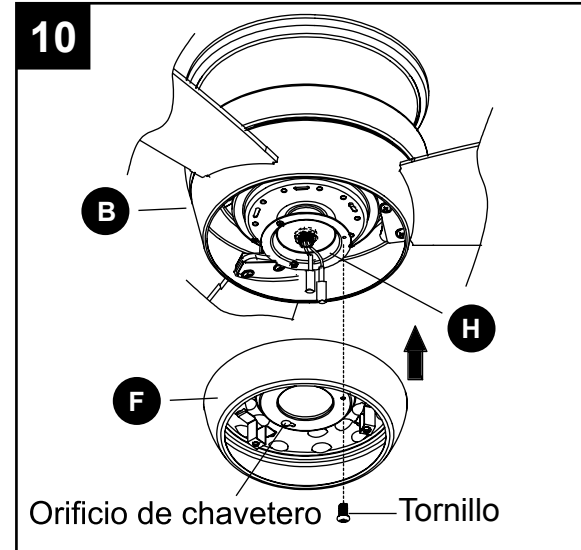


9. Afloje dos tornillos de la placa de la carcasa del interruptor (H). Retire y conserve el tornillo que queda.

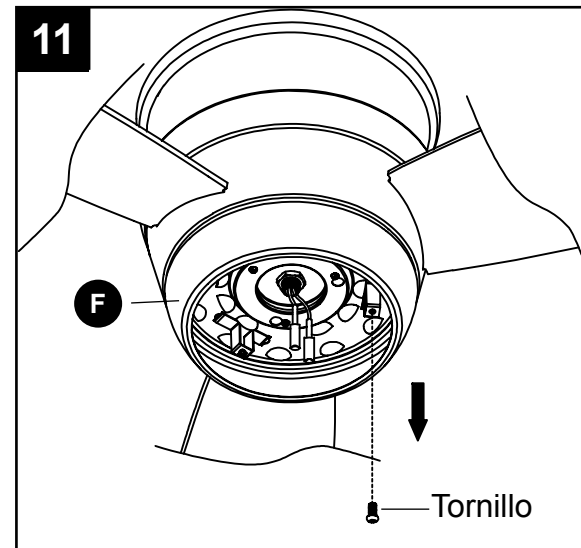


INSTRUCCIONES DE ENSAMBLAJE

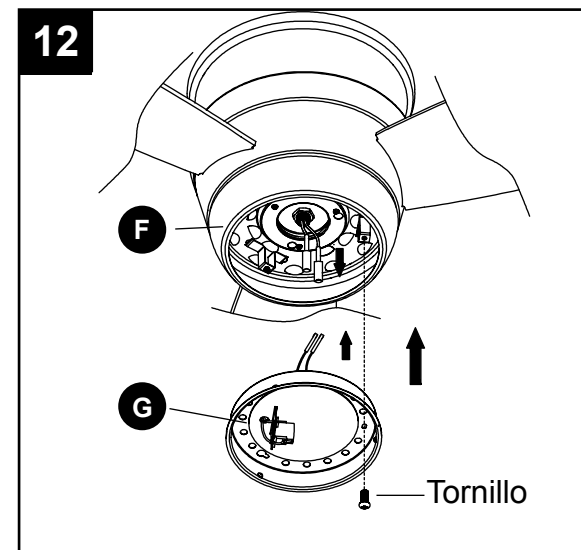
10. Pase los conductores del motor del ventilador (B) a través del orificio central en la placa de iluminación (F). Una la placa de iluminación (F) a la placa de la carcasa del interruptor (H). Alinee los chaveteros y gire para bloquear. Vuelva a instalar el tornillo que retiró con anterioridad (paso 9, página 23) y apriete firmemente todos los tornillos.



11. Afloje dos tornillos preensamblados en la placa de iluminación (F). Retire y conserve el tornillo preensamblado de la placa de iluminación (F) que queda.



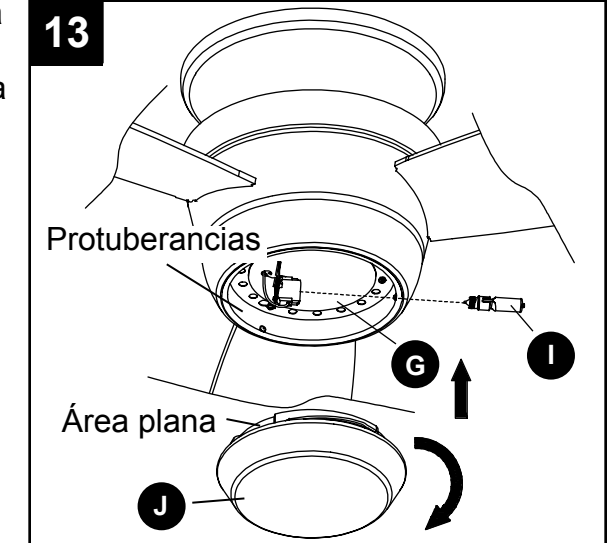
12. Conecte el conductor **BLANCO** de la placa de iluminación (F) con el conductor **BLANCO** de la lámpara (G). Conecte el conductor **AZUL** de la placa de iluminación (F) con el conductor **NEGRO** de la lámpara (G). Alinee los chaveteros en la lámpara (G) y la placa de iluminación (F) y gire para bloquear. Vuelva a instalar el tornillo que retiró con anterioridad (paso 11, página 24) y apriete firmemente todos los tornillos.



INSTRUCCIONES DE ENSAMBLAJE

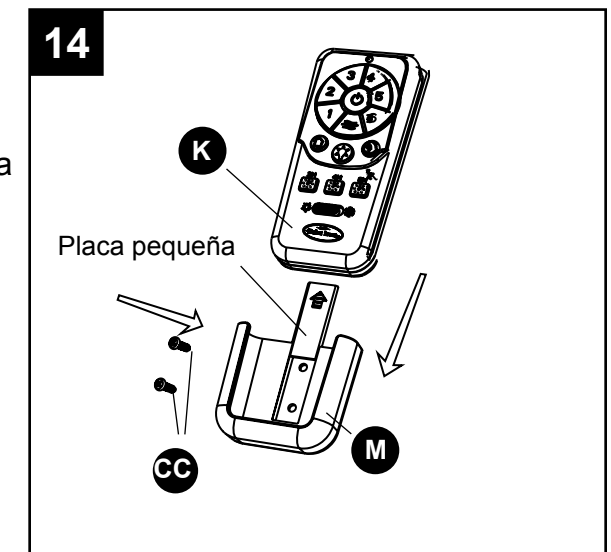
13. Instale la bombilla (I) en el portalámpara de la lámpara (G). Coloque la pantalla (J) en la lámpara (G) y alinee las tres áreas planas en la brida superior de la pantalla (J) con las tres protuberancias en la lámpara (G). Gire la pantalla (J) en dirección de las manecillas del reloj hasta que se detenga.

PRECAUCIÓN: Evite tocar la bombilla con las manos descubiertas. Asegúrese de que la alimentación esté desconectada y de que la bombilla esté fría antes de reemplazar la bombilla o limpiar la lámpara.




OPCIONAL:

14. Si lo desea, puede instalar la abrazadera de pared (M) para colocar el control remoto (K). Retire la placa pequeña preensamblada en la abrazadera de pared (M) y utilice los tornillos del control remoto (CC) para instalar la abrazadera de pared (M) en la pared. Vuelva a colocar la placa pequeña y luego coloque el control remoto (K) en la abrazadera de pared (M).



Aditamentos utilizados

CC  Tornillo del control remoto x 2

INSTRUCCIONES DE FUNCIONAMIENTO

TRANSMISOR PARA CONTROL REMOTO

Nota: El receptor viene conectado e incorporado en la base del ventilador de fábrica. El ensamble del receptor no es necesario. "Presionar" significa presionar un botón del control remoto por menos de un segundo. "Mantener presionado" significa presionar un botón y mantenerlo presionado por un segundo y luego soltarlo.

Una vez completada correctamente la instalación del ventilador y conectada la alimentación eléctrica, el receptor del ventilador emitirá dos notas/sonidos musicales que indican que el suministro de electricidad es normal. Si no oye ningún sonido, consulte la sección **SOLUCIÓN DE PROBLEMAS** en la página 29.

1. Instalación de la batería:

Retire la cubierta de la batería del control remoto (K) e instale la batería (L). Coloque de nuevo la cubierta.

2. Aprendizaje/Emparejamiento (consulte la Fig. 1):

El interruptor magnético del control remoto (K) se configuró en "0" para que coincida con el receptor del ventilador. Si hay más de un control remoto en la habitación, es posible que deba cambiar la configuración del interruptor magnético.

Para cambiar la configuración del interruptor magnético, deslice el interruptor ubicado en el interior del compartimiento de la batería a "1", desconecte la alimentación eléctrica del ventilador y luego conéctela nuevamente. El receptor del ventilador debe emitir dos notas/sonidos musicales que indican que el suministro de electricidad es normal. Después de 30 segundos de haber oído las notas/los sonidos, presione el botón "learn" (aprender) que se encuentra en la parte posterior del control remoto (K). Si el aprendizaje resulta exitoso, la luz del ventilador titilará tres veces y se encenderá.

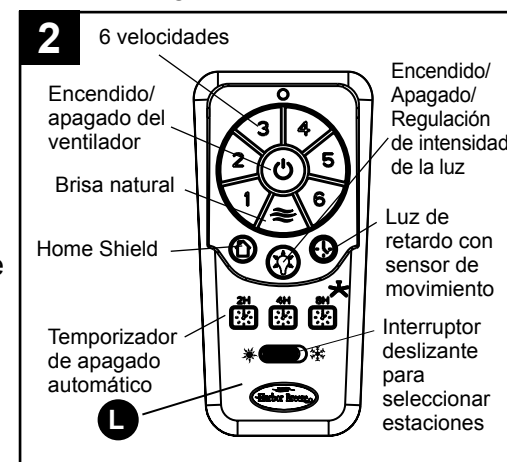
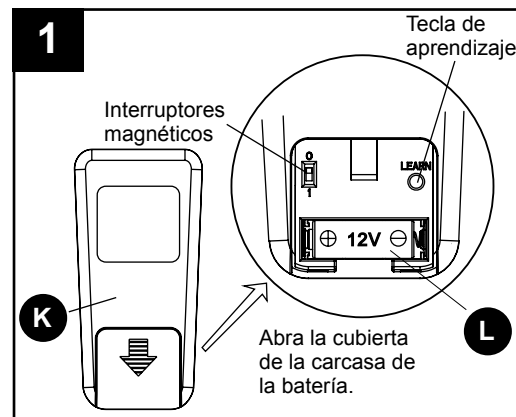
Nota: El ventilador funcionará a la velocidad más alta en la dirección correspondiente según el interruptor deslizante para seleccionar estaciones.

3. Interruptor deslizante para seleccionar estaciones:

Cuando cambie la estación del año, quizás desee cambiar la dirección de giro de su ventilador. Para alternar entre la dirección de las manecillas del reloj y la dirección contraria, gire el interruptor deslizante para seleccionar estaciones.

Nota: Espere a que el ventilador se detenga antes de invertir el interruptor.

- En climas más cálidos, la rotación en dirección contraria a las manecillas del reloj crea un flujo de aire descendente que enfría el aire. Presione el interruptor hacia la IZQUIERDA y verá un icono de sol. El receptor emitirá 3 sonidos musicales.
- En climas más fríos, la rotación en dirección de las manecillas del reloj crea un flujo de aire ascendente, que mueve el aire caliente desde el techo hacia la habitación. Presione el interruptor hacia la DERECHA y verá un icono de copo de nieve. El receptor emitirá 3 sonidos musicales.



INSTRUCCIONES DE FUNCIONAMIENTO

4. Velocidades del ventilador: 6 velocidades y Brisa Natural (consulte la fig. 2):

- Presione el botón "1", "2", "3", "4", "5" ó "6" para cambiar la velocidad del ventilador. Tenga en cuenta que "1" es la velocidad más baja y "6" la más alta. El receptor del ventilador emitirá un sonido musical cuando cambie cada configuración.
- Presione el botón "≈" para activar el modo Brisa Natural. El receptor emitirá dos sonidos musicales. El modo Brisa Natural simula una brisa natural, como si estuviera al aire libre. (Las aspas del ventilador girarán a diferentes velocidades de forma aleatoria).
- Para salir del modo Brisa Natural, presione "⏻" y luego una de las configuraciones numéricas para cambiar a la función/velocidad relativa del botón.

5. Encendido/Apagado del ventilador (See Fig. 2):

- El Encendido/Apagado del ventilador controla la alimentación eléctrica al ventilador.
- Cuando el ventilador esté encendido, presione el botón "⏻". El ventilador se apagará y el receptor emitirá dos notas/sonidos musicales.
- Cuando el ventilador esté apagado, presione el botón "⏻". El ventilador tiene memoria y se encenderá a la velocidad más reciente.

6. Encendido/Apagado del indicador de notas/sonidos musicales (consulte la Fig. 2):

- Mantenga presionado el botón "⏻" para encender/apagar el indicador de notas/sonidos musicales.
Nota: El receptor emitirá dos notas/sonidos musicales cada vez que el indicador de sonido se encienda o apague.

7. Encendido/Apagado/Regulación de intensidad de la luz (consulte la Fig. 2):

- Presione "★" para encender/apagar la luz y mantenga presionado el botón para regular la intensidad.

8. Luz de retardo con sensor de movimiento (consulte la Fig. 2):

- Si utiliza este botón, la luz se apagará automáticamente 1 minuto después de presionarlo.
- Presione "⌚" una vez, y la luz del ventilador de techo titila una vez, lo que confirma que la luz de retardo con sensor de movimiento está activa. La luz y el ventilador se apagará después de 1 minuto.
- Durante el modo luz de retardo con sensor de movimiento, presione cualquier otro botón para cancelar la función.

9. Home Shield (consulte la Fig. 2):

- Este botón se utiliza para encender y apagar las luces de forma aleatoria, para que parezca que hay alguien en la casa.
- Presione el botón "🏠" de Home Shield, y la luz del ventilador de techo titila dos veces, lo que confirma que Home Shield está activo. El ventilador está apagado y la luz recorrerá los modos A y B que se describen a continuación:
 - Modo A: la luz se enciende de forma aleatoria por entre 5 y 20 minutos.
 - Modo B: la luz se apaga durante 60 minutos.
- Durante el modo Home Shield, presione cualquier otro botón para cancelar la función.

10. Temporizador de apagado automático (consulte la Fig. 2):

- Si utiliza estos botones, el ventilador se apagará automáticamente luego de 2, 4 u 8 horas.
- Encienda el ventilador a la velocidad deseada.
- Presione la tecla "2H", "4H" u "8H". El ventilador se apagará automáticamente una vez transcurrido el tiempo deseado.
- El receptor emitirá tres notas/sonidos musicales. Durante el modo de temporizador de apagado automático, presione la tecla "⏻" para salir. Presione "⌚" o "🏠" para salir también del temporizador de



INSTRUCCIONES DE FUNCIONAMIENTO

apagado automático y cambiar a la función relativa del botón.

11. Memoria de apagado (consulte la Fig. 2):

- Si presiona este botón, se reanudarán las configuraciones utilizadas en el ventilador antes de que se haya cortado la alimentación eléctrica.
- Si el ventilador se encontraba en modo de temporizador de apagado automático antes de que se corte la alimentación eléctrica, estará apagado cuando se encienda la alimentación eléctrica nuevamente.
- Si el ventilador se encontraba en modo luz de retardo con sensor de movimiento antes de que se corte la alimentación eléctrica, tanto el ventilador como la luz estarán apagados cuando se encienda la alimentación eléctrica nuevamente.

CUIDADO Y MANTENIMIENTO

- Para reducir el riesgo de incendios, descargas eléctricas o lesiones personales, utilice este ventilador con cuidado y realice el mantenimiento correspondiente.
- **IMPORTANTE:** Antes de realizar cualquier trabajo de mantenimiento, desconecte el suministro de electricidad.
- NO utilice agua ni detergentes para limpiar el ventilador o las aspas. Se recomienda utilizar un paño suave y seco o un paño levemente humedecido para limpiar el producto.
- Limpie la carcasa del ventilador solo con un cepillo suave o un paño sin pelusas para evitar rayar el acabado. Limpie las aspas con un paño sin pelusas. De vez en cuando, puede aplicar una fina capa de pulidor para muebles en las aspas para darles más protección.
- Al menos dos veces al año, apriete todos los tornillos y baje la base para inspeccionar los tornillos de la abrazadera de montaje y el ensamble de la varilla.
- Reemplazo de las bombillas: Use bombillas a base de halógeno tipo E11 de 75 vatios como máximo.

SOLUCIÓN DE PROBLEMAS

PROBLEMA	CAUSA POSIBLE	ACCIÓN CORRECTIVA
Las aspas del ventilador no se mueven.	1. No hay alimentación eléctrica o hay un fusible quemado.	1. Conecte la alimentación eléctrica o revise el fusible. 2. Desconecte la alimentación. Afloje la carcasa del motor y revise todas las conexiones.
El funcionamiento es ruidoso.	1. Las aspas están sueltas. 2. Hay un aspa partida.	1. Apriete todos los tornillos de las aspas. 2. Reemplace las aspas (llame al Servicio al Cliente).
Hay un tambaleo excesivo.	1. Las aspas están sueltas. 2. Las aspas no están equilibradas. 3. El ventilador no está bien montado.	1. Apriete todos los tornillos de las aspas. 2. Use un kit para equilibrio. 3. Desconecte la alimentación. Suelte la base con cuidado y vuelva a montarla bien.
Falla en el control remoto.	1. No se escucha ningún sonido cuando se enciende el ventilador. 2. No hay destellos en el transmisor LED. 3. El control remoto no funciona.	1. Verifique si el suministro de electricidad y la alimentación principal están conectados correctamente. 2. Verifique si la batería está instalada en el control remoto. Asegúrese de que la batería esté instalada correctamente. Un lado de la batería es positivo y el otro negativo. 3. Para emparejar el control remoto y el receptor, siga estos pasos: corte la alimentación eléctrica que va al ventilador, luego conéctela nuevamente y deberá escuchar que el receptor del ventilador emite dos notas/sonidos musicales que indican que el suministro de electricidad es normal. Después de 30 segundos de haber escuchado los dos sonidos, presione el botón "learn" (aprender) en la parte posterior del transmisor. Indicación de un proceso de aprendizaje exitoso: la luz (si está instalada) titilará 3 veces y se encenderá. El ventilador funcionará a la velocidad más alta en la dirección correspondiente según el interruptor deslizante para seleccionar estaciones.



GARANTÍA

El fabricante garantiza que este ventilador no presenta defectos de fabricación ni en los materiales presentes en el momento del transporte desde la fábrica, durante un período limitado de por vida a partir de la fecha de la compra. Esta garantía es válida sólo para el comprador original. El fabricante acepta reparar dichos defectos sin cargo o, según nuestro criterio, reemplazar el ventilador de techo por un modelo comparable o superior.

Para obtener el servicio de garantía, presente una copia del recibo de venta como prueba de la adquisición. Todos los costos de extracción y reinstalación son responsabilidad explícita del comprador. Los daños en el ventilador de techo producidos por accidentes, uso indebido o instalación incorrecta, o a causa de la colocación de accesorios de fijación que no fabricante de este ventilador, serán responsabilidad del comprador. El fabricante no asume ningún tipo de responsabilidad por la instalación del ventilador durante la garantía limitada de por vida. Cualquier servicio realizado por una persona no autorizada invalidará la garantía.

Debido a las cambiantes condiciones climáticas, esta garantía no cubre cambios en el acabado de latón, óxido, picaduras, deslustre, corrosión o descascarado. Los ventiladores con acabado de latón mantienen su belleza cuando se les protege de las cambiantes condiciones climáticas. La garantía no cubre los elementos de vidrio incluidos con este ventilador. El reemplazo de piezas defectuosas para el ventilador de techo debe informarse dentro del primer año a partir de la fecha de compra. Para conocer el saldo de la garantía. llame a nuestro Departamento de Servicio al Cliente al 1-800-643-0067 para obtener la autorización para la para la devolución y las instrucciones de envío, de modo que podamos reparar o reemplazar el ventilador de techo. Un ventilador o piezas devueltas con un embalaje incorrecto son de responsabilidad única del comprador. No existe otro tipo de garantía explícita. El fabricante rechaza cualquiera y todas las garantías implícitas.

La duración de cualquier garantía implícita que no pueda rechazarse se limita al período limitado de por vida especificado en nuestra garantía. El fabricante no será responsable de daños circunstanciales, resultantes o especiales que surgen en relación con el funcionamiento del producto, excepto que la ley indique lo contrario. Esta garantía le otorga derechos legales específicos y usted tiene también otros derechos que varían según el estado. Esta garantía sustituye cualquier garantía previa. **Nota:** Es normal que el ventilador se tambalee un poco, por lo cual no se debe considerar como un defecto.

LISTA DE PIEZAS DE REPUESTO

Para obtener piezas de repuesto, llame a nuestro Departamento de Servicio al Cliente al 1-800-643-0067, de lunes a jueves de 8 a.m. a 6 p.m., y los viernes de 8 a.m. a 5 p.m., hora estándar del Este.

PIEZA	DESCRIPCIÓN	PIEZA#
D	Aspa	108002-5060**
E	Placa de refuerzo	104300-0018BK
J	Vidrio	991300-0545AQ
K	Control remoto	990319-011400

