



Harbor Breeze® is a registered trademark of LF, LLC. All Rights Reserved.

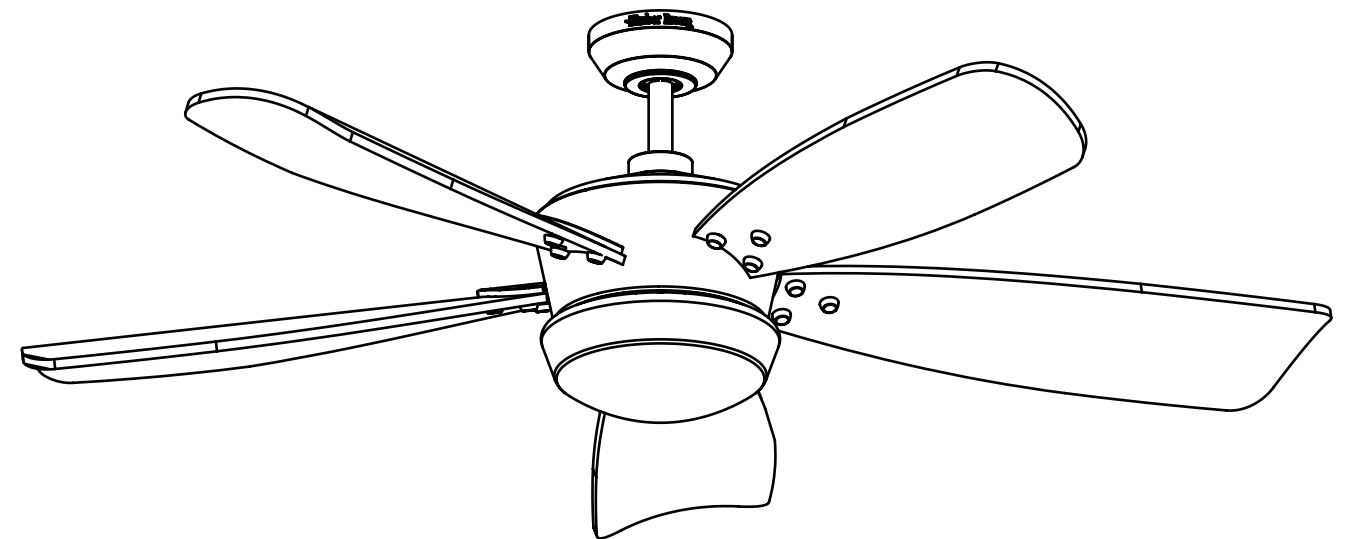
ITEM #0698388, 0698389

# SARATOGA CEILING FAN

MODEL #00885, 00886

ETL MODEL #60-STG

**Español p. 18**



### ATTACH YOUR RECEIPT HERE

Serial Number \_\_\_\_\_ Purchase Date \_\_\_\_\_



**Questions, problems, missing parts?** Before returning to your retailer, call our customer service department at 1-866-473-4537, 8 a.m. - 7 p.m., EST, Monday - Friday, 9 a.m. - 6 p.m., EST, Saturday.



## TABLE OF CONTENTS

Safety Information.....	3
Package Contents.....	4
Hardware Contents.....	5
Preparation.....	5
Assembly Instructions.....	6
Operating Instructions.....	13
Care and Maintenance.....	15
Troubleshooting.....	16
Warranty.....	17
Replacement Parts List .....	17

## SAFETY INFORMATION

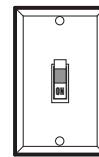
### READ AND SAVE THESE INSTRUCTIONS

Please read and understand this entire manual before attempting to assemble, operate, or install the product.

- When using an existing outlet box, be sure the box is securely attached to the building structure and can support the full weight of the fan, so as to avoid potential serious injury or death.
- All wiring must be in accordance with the National Electrical Code “ANSI/NFPA 70-1999” and local electrical codes. Electrical installation should be performed by a qualified licensed electrician.
- DO NOT use bulbs with a wattage greater than the maximum value stated on the fixture and in this manual. Using a higher wattage bulb than specified will increase fixture temperature and cause risk of fire.
- Disconnect the electrical supply circuit to the fan before installing light kit.
- Electrical diagrams are for reference only.
- The net weight of this fan including the light kit is: 22.44 lbs.

## WARNING

- **ELECTRIC SHOCK HAZARD** - To reduce the risk of electric shock, do not use this fan with any solid-state speed control device.
- **ELECTRIC SHOCK HAZARD** - To reduce the risk of electric shock, make sure electricity has been turned off at the circuit breaker or fuse box before beginning installation.
- **PERSONAL INJURY HAZARD** - To reduce the risk of injury to persons, install fan so that the blade is at least 7 ft. above the floor.
- **ELECTRIC SHOCK HAZARD** - Do not install this fan with variable speed wall control or wall-mounted dimmer switch. It will permanently damage the fan’s remote control receiver and cause the fan’s functions to fail.



ON / OFF switch



NO Variable speed wall control



NO Dimmer switch

- **FIRE, ELECTRIC SHOCK OR PERSONAL INJURY HAZARD** - To reduce the risk of fire, electric shock, or personal injury, mount to outlet box marked “ACCEPTABLE FOR FAN SUPPORT OF 35.1 lbs or less” and use mounting screws provided with the outlet box. Most outlet boxes commonly used for the support of lighting fixtures are not acceptable for fan support and may need to be replaced. Consult a qualified electrician if in doubt.

## CAUTION

- **PERSONAL INJURY HAZARD** - To reduce the risk of personal injury, do not bend the brackets when installing the brackets, balancing the blades, or cleaning the fan. DO NOT inset foreign objects in between rotating fan blades.

This equipment has been tested and found to comply with the limits for a Class B digital device, pursuant to Part 15 of the FCC Rules. These limits are designed to provide reasonable protection against harmful interference in a residential installation. This equipment generates, uses and can radiate radio frequency energy and, if not installed and used in accordance with the instructions, may cause harmful interference to radio communications. However, there is no guarantee that interference will not occur in a particular installation. If this equipment does cause harmful interference to radio or television reception, which can be determined by turning the equipment off and on, the user is encouraged to try to correct the interference by one or more of the following measures:

Reorient or relocate the receiving antenna.

Increase the separation between the equipment and receiver.

Connect the equipment into an outlet on a circuit different from that to which the receiver is connected. Consult the dealer or an experienced radio/TV technician for help.

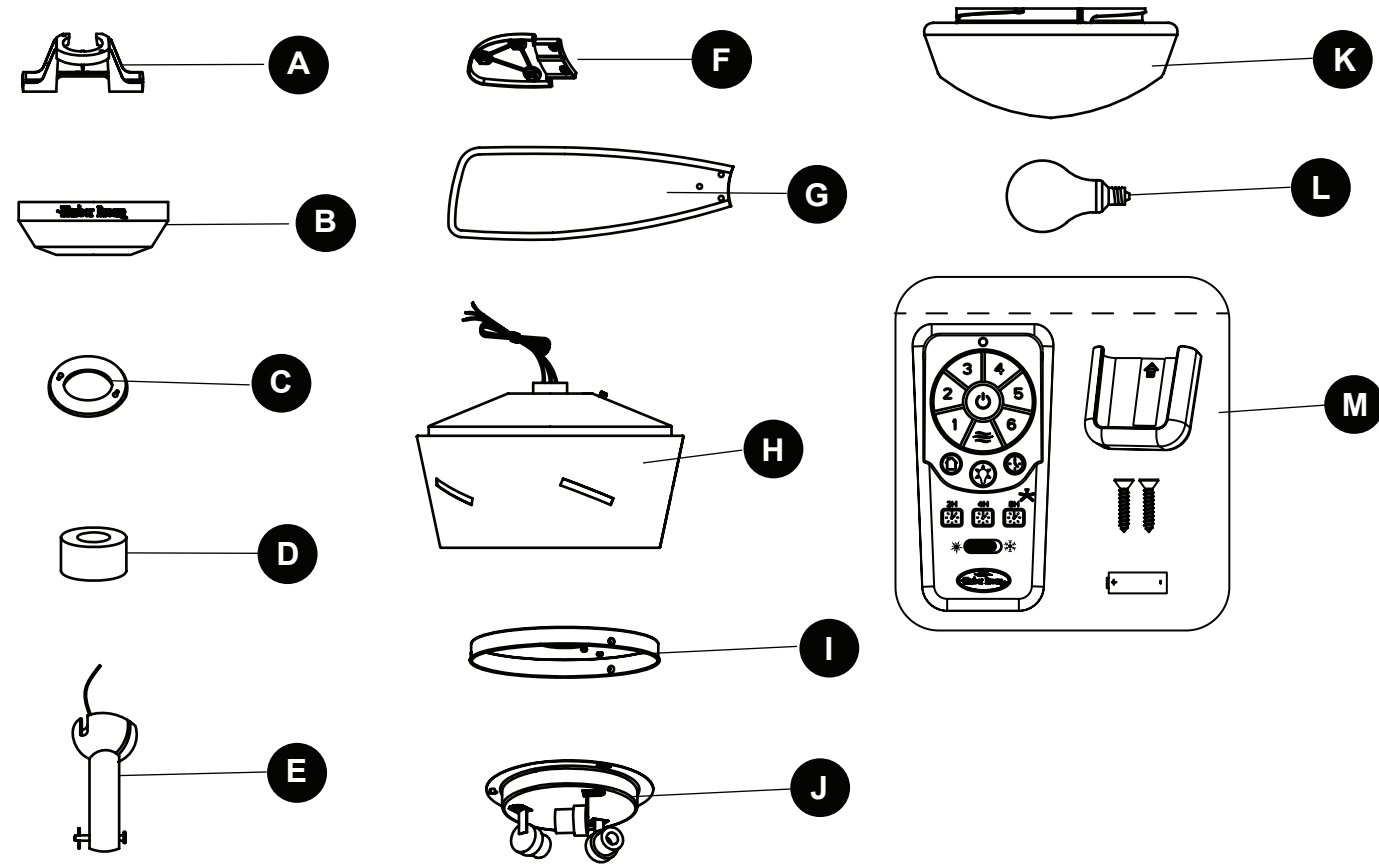
**CAUTION:** Any changes or modifications not expressly approved by the grantee of this device could void the user’s authority to operate the equipment.

This device complies with Part 15 of the FCC Rules. Operation is subject to the following two conditions:

- (1) This device may not cause harmful interference, and
- (2) this device must accept any interference received, including interference that may cause undesired operation.

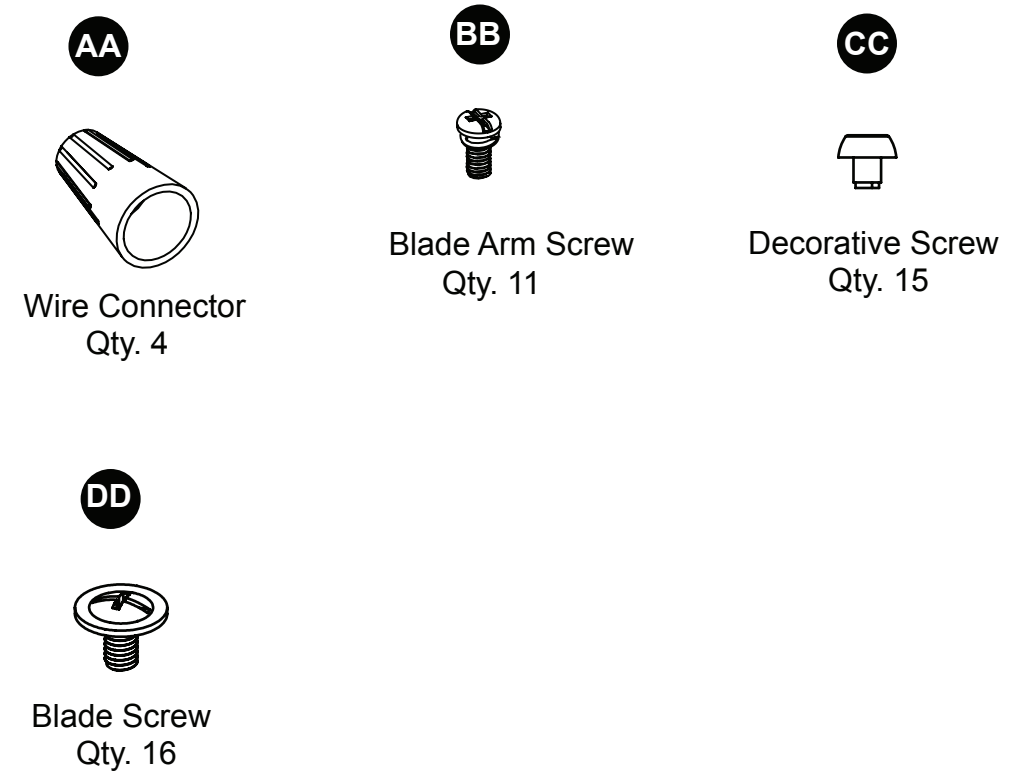


**PACKAGE CONTENTS**



PART	DESCRIPTION	QUANTITY
A	Mounting Bracket	1
B	Canopy	1
C	Canopy Cover	1
D	Yoke Cover	1
E	6 in. Downrod	1
F	Blade Arm	5
G	Blade	5
H	Fan Motor Assembly	1
I	Fitter Plate	1
J	Light Fitter Assembly	1
K	Glass	1
L	Bulb	3
M	Remote Pack	1

**HARDWARE CONTENTS (shown actual size)**



**PREPARATION**

Before beginning assembly of product, make sure all parts are present. Compare parts with package contents list and hardware contents list. If any part is missing or damaged, do not attempt to assemble the product

**Estimated Assembly Time: 45 minutes**

Tools Required for Assembly (not included): Phillips screwdriver, step ladder, electrical tape, pliers, wire cutters, wire strippers.



## ASSEMBLY INSTRUCTIONS

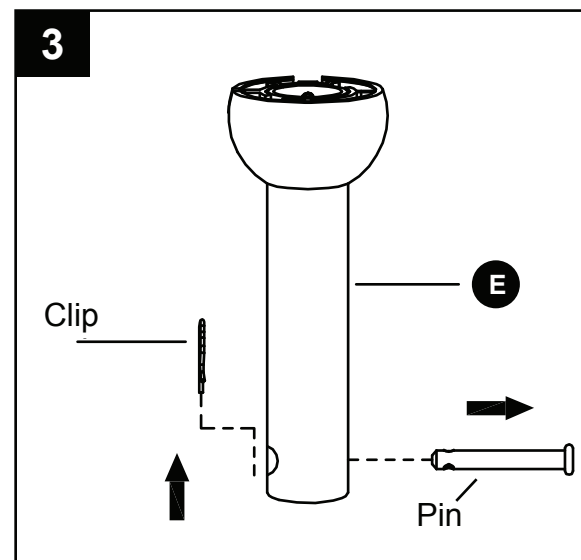
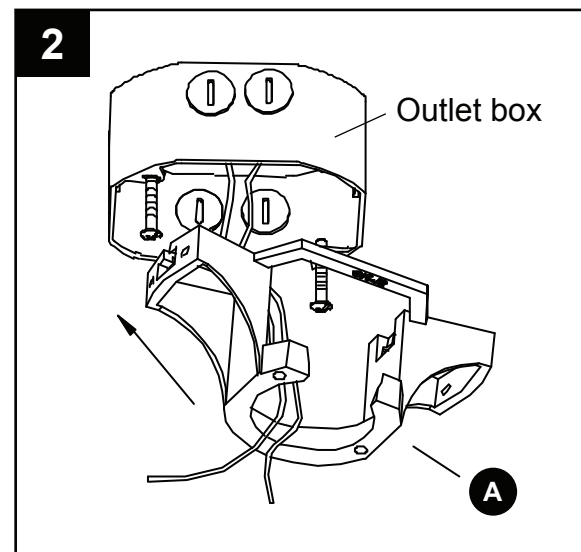
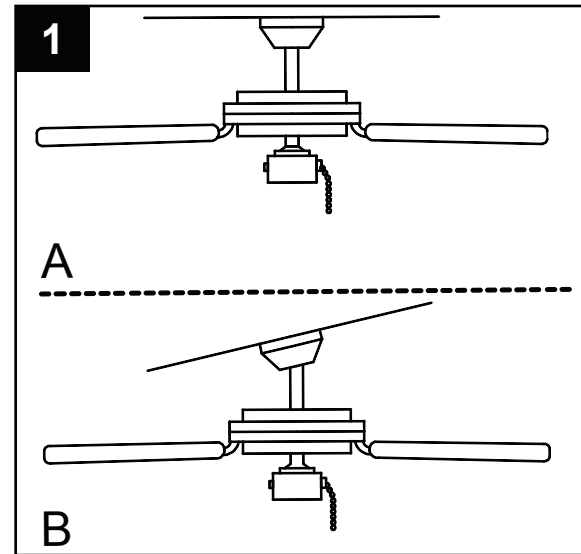
- Determine mounting method.  
A-Downrod Mount (standard or angled ceiling)  
B-Angle Mount (standard ceiling only)

**IMPORTANT:** If angle mounting, check to make sure the ceiling angle is not steeper than 20°.

- Install mounting bracket (A) to outlet box (not included) by sliding mounting bracket (A) over the two outlet box screws (not included). Securely tighten two outlet box screws.

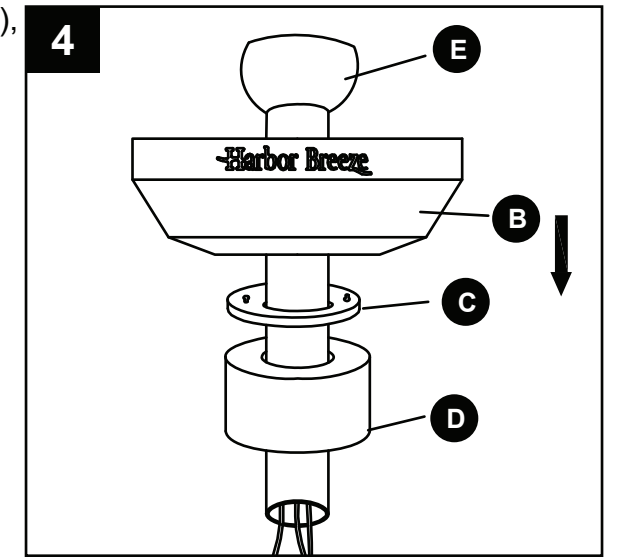
**IMPORTANT:** If angle mounting, make sure open end of mounting bracket (A) is installed facing the ceiling.

- Remove preassembled pin and clip from downrod (E). Save for later use.

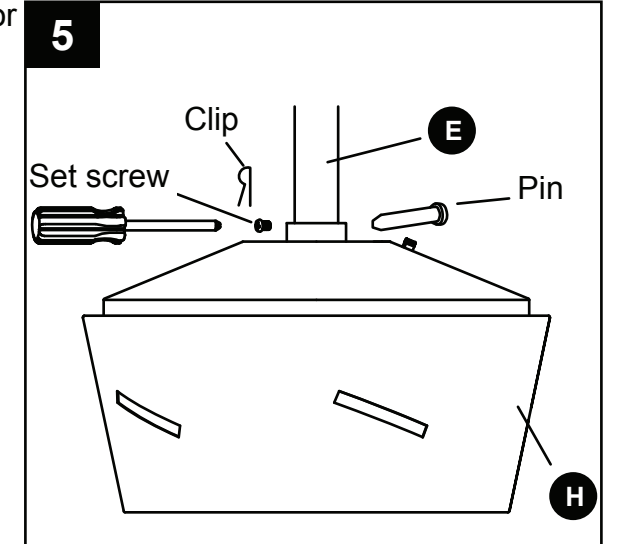


## ASSEMBLY INSTRUCTIONS

- Insert downrod (E) through canopy (B), canopy cover (C), and yoke cover (D). Thread wires from fan motor assembly through downrod (E).



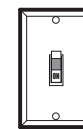
- Loosen preassembled set screws from yoke on fan motor assembly (H). Slip downrod (E) into housing yoke, aligning holes on both parts. Insert previously removed pin through holes on yoke and downrod (E), then insert previously removed clip into pin until it snaps into place. Tighten set screws.



- Install hanger ball on top of downrod (E) into mounting bracket (A) opening. Rotate fan until slot on hanger ball engages the tab on mounting bracket (A).

**! DANGER:** Be careful when aligning tab to slot. If not fully engaged, the fan could fall, which could result in serious injury or death.

**IMPORTANT:** Do NOT use this fan with a dimmer switch or variable speed wall control. Using a dimmer switch or variable speed wall control will damage the fan.



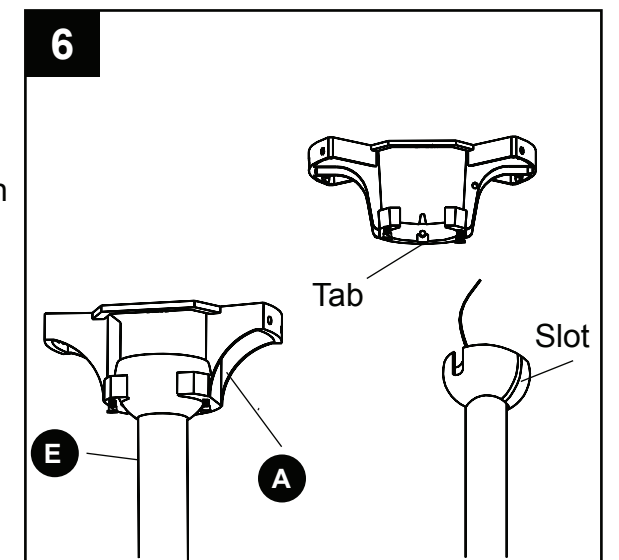
ON / OFF  
switch



NO Variable  
speed wall  
control



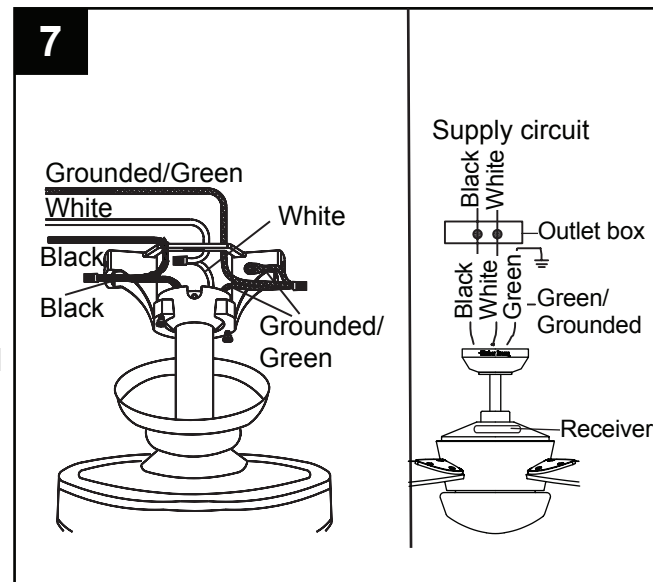
NO Dimmer  
switch



## ASSEMBLY INSTRUCTIONS

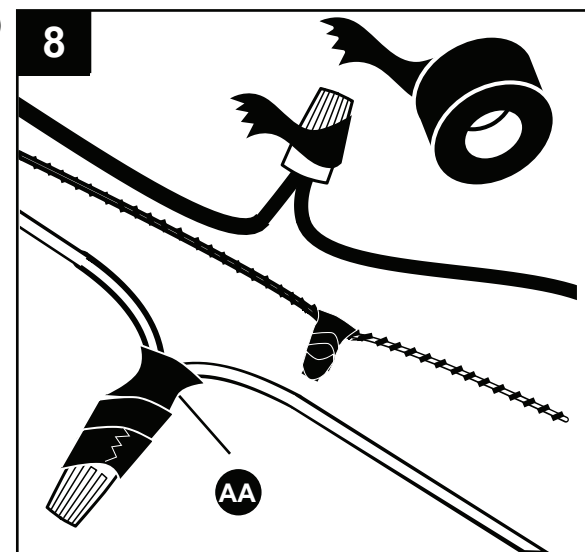
7. Connect **BLACK** wire from fan to **BLACK** wire from ceiling. Connect **WHITE** wire from fan to **WHITE** wire from ceiling. Connect all **GROUND**ED (**GREEN**) wires together from fan to **GREEN/GROUND**ED wire from ceiling. Connecting the **GREEN/GROUND**ED wires is conducive to receive the signal of the remote control.

**Note:** **BLACK** wire is hot power for fan and light kit. **WHITE** wire is common for fan and light kit. **GREEN** wire is grounded wire. If house wires are different colors than referred to above, stop immediately and consult a professional electrician to determine proper wiring.



8. Twist wire ends together and screw wire connectors (AA) on in a clockwise direction. Tape wire connectors (AA) and wires together with electrical tape (not included).

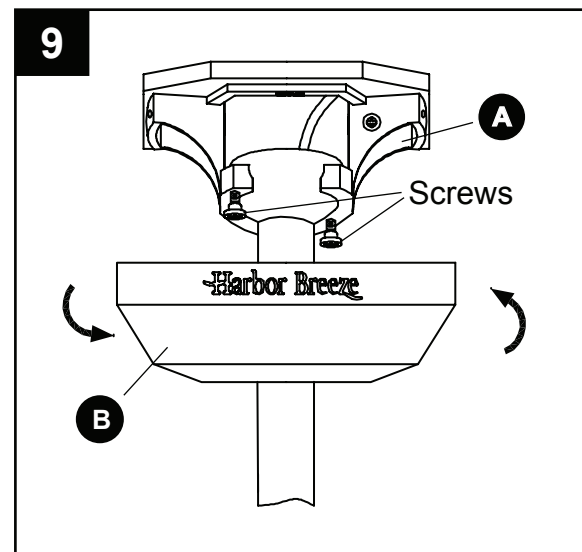
**Note:** Wires should be spread apart with grounded conductor and equipment-grounding conductor on one side of outlet box and ungrounded conductor on other side. After making connections, make sure bare wire or wire strands are NOT visible. Place green and white connections on opposite side of box from black and blue connections. Splices should be turned upward and pushed carefully up into outlet box.



### Hardware Used

- AA** Wire Connector x4

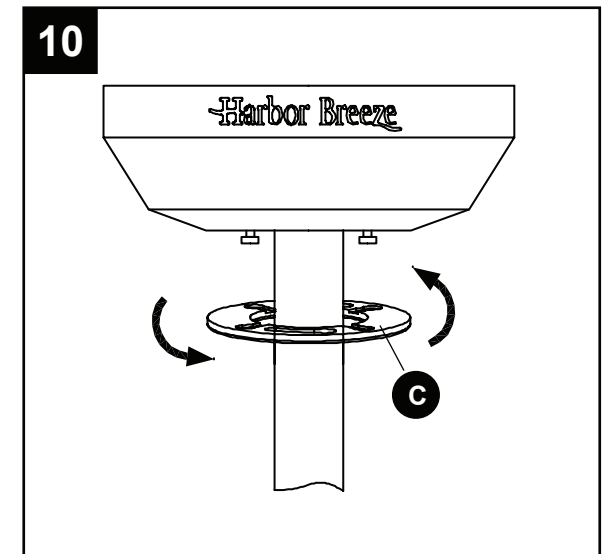
9. Slide canopy (B) up against ceiling and over two screws on mounting bracket (A). Rotate canopy (B) to lock it into place. Tighten two screws.



## ASSEMBLY INSTRUCTIONS

10. Slide canopy cover (C) over two screws and rotate clockwise until it locks.

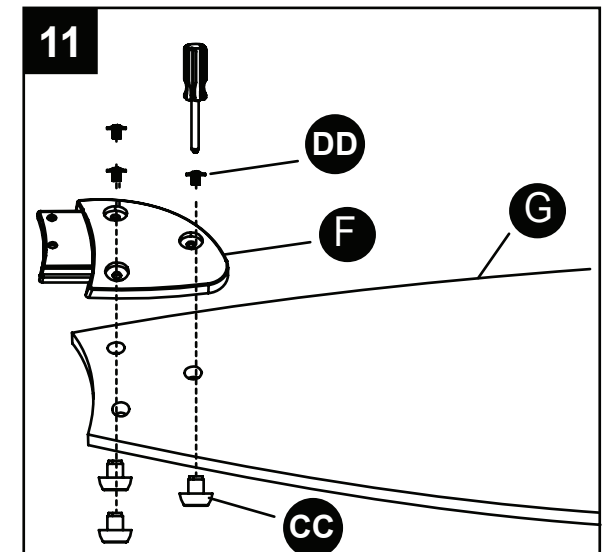
**Note:** Adjust screws as necessary until canopy (B) and canopy cover (C) are snug.



11. Attach blade (G) under blade arm (F) using three decorative screws (CC) and three blade screws (DD). Repeat for remaining blades (G), blade arms (F), decorative screws (CC) and blade screws (DD).

### Hardware Used

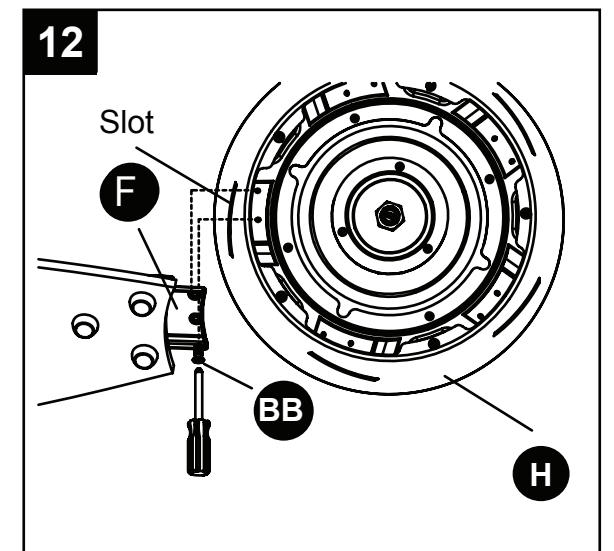
- CC** Decorative Screw x 15
- DD** Blade Screw x 16



12. Insert blade assembly through slot on fan motor assembly (H) and align two screw holes in blade arm (F) with screw holes in fan motor assembly (H). Secure with two blade arm screws (BB). Repeat for remaining blade assemblies.

### Hardware Used

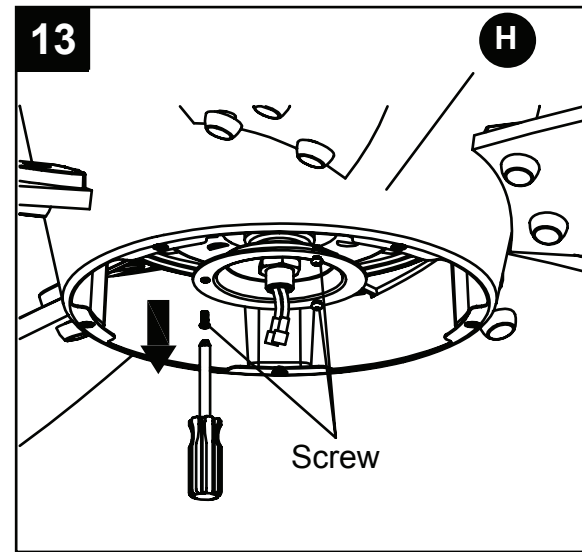
- BB** Blade Arm Screw x 11



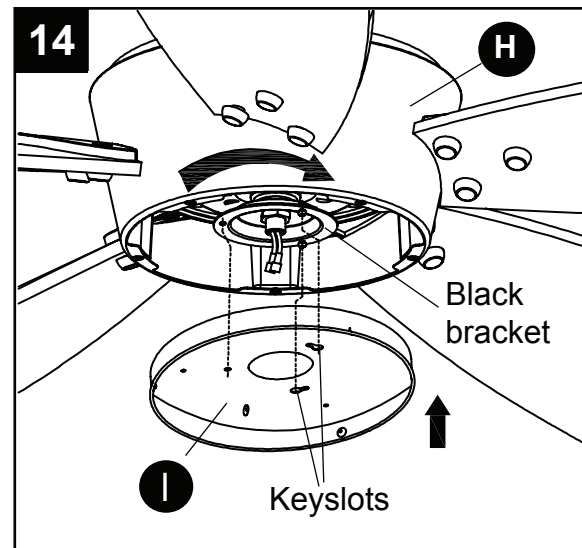


## ASSEMBLY INSTRUCTIONS

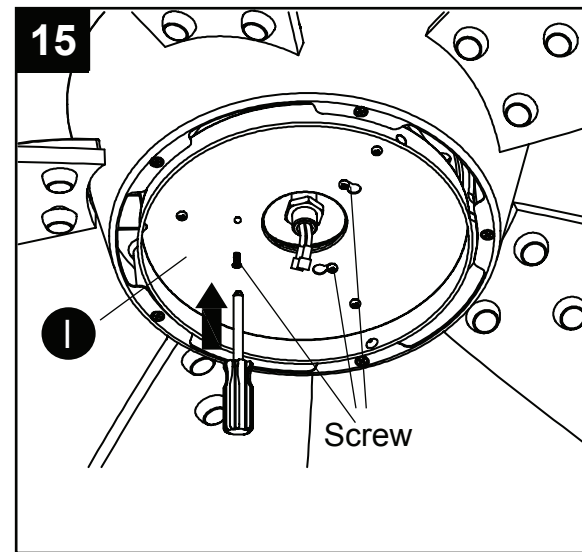
13. Loosen two preassembled screws from fan motor assembly (H). Remove and save remaining preassembled screw.



14. Pull the **BLUE** and **BLACK** wires from fan motor assembly (H) through center hole of fitter plate (I). Align two keyslots on fitter plate (I) with two screws on black bracket below fan motor assembly (H).

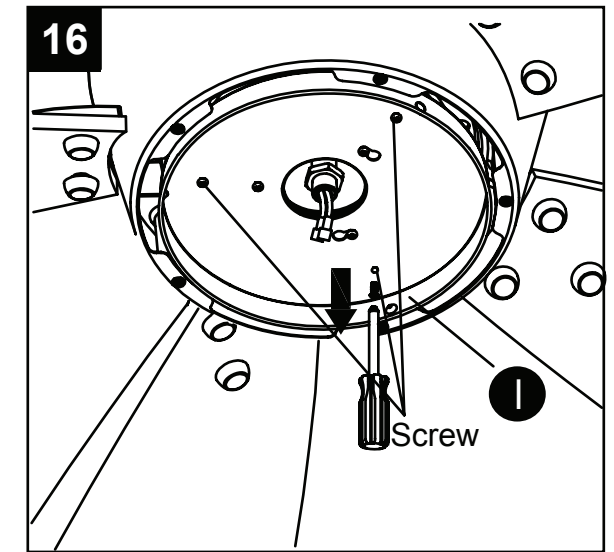


15. Place the fitter plate (I) over two screws and turn clockwise until it locks. Install previously removed screw (Step 13, page 10) and securely tighten all screws.

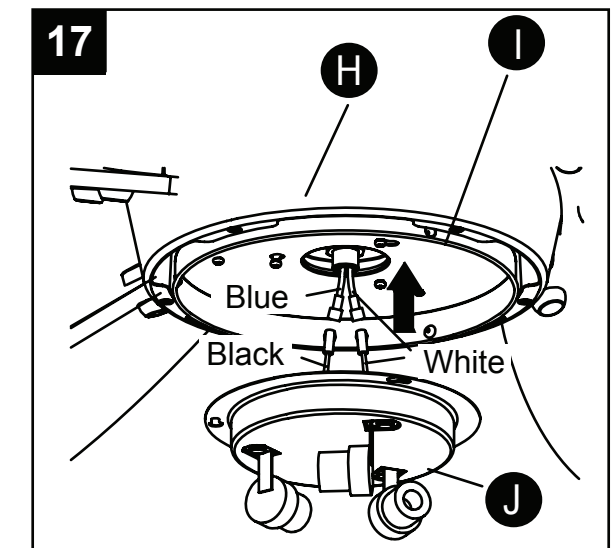


## ASSEMBLY INSTRUCTIONS

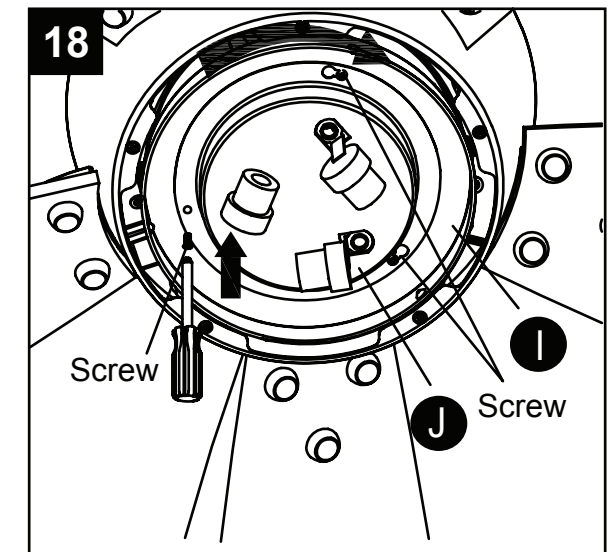
16. Loosen two preassembled screws from fitter plate (I). Remove and save remaining preassembled screw.



17. Connect **BLUE** wire from fan motor assembly (H) to **BLACK** wire from light fitter assembly (J). Connect **WHITE** wire from fan motor assembly (H) to **WHITE** wire from light fitter assembly (J).



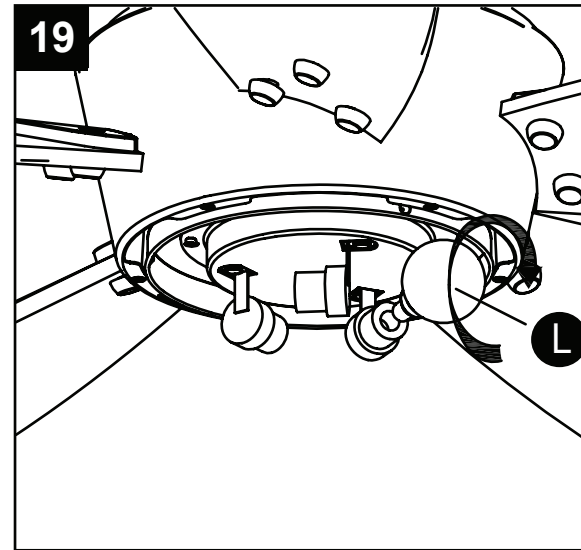
18. Align two key slots on light fitter assembly (J) with two screws on fitter plate (I). Place light fitter assembly (J) over two screws and turn clockwise until it locks. Install previously removed screw (Step 16, page 11) and securely tighten all screws.



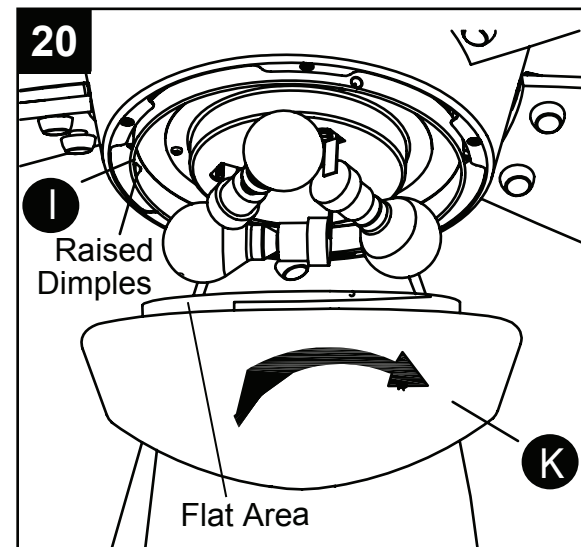
## ASSEMBLY INSTRUCTIONS

19. Install bulbs (L) into sockets.

**IMPORTANT NOTE:** The fan has an energy-saving wattage limiter included. If bulbs are more than 190 watts, the fan will automatically turn off. Please ensure bulb wattage is always less than 190 watts.

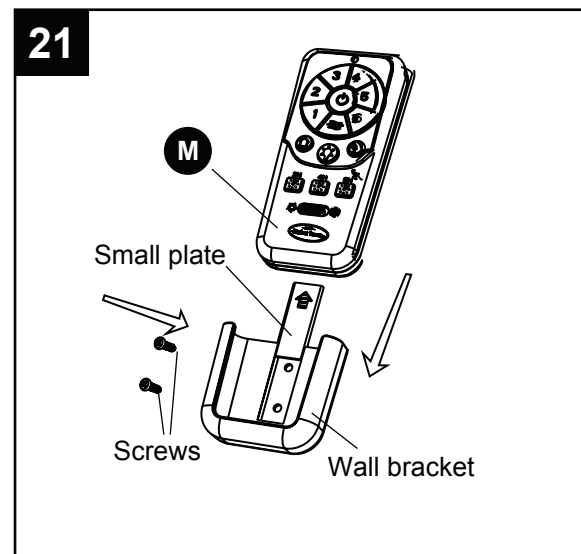


20. Place glass (K) into fitter plate (I), aligning three flat areas on top flange of glass (K) with three raised dimples in the fitter plate (I). Turn glass (K) clockwise until it stops.



### OPTIONAL:

21. If desired, the wall bracket in remote pack (M) can be installed to house the remote control. Remove the small plate preassembled on the wall bracket and use the screws in remote pack (M) to secure the wall bracket at desired mounting location. Replace the small plate, then rest the remote control from remote pack (M) into wall bracket.



## OPERATING INSTRUCTIONS

### REMOTE CONTROL TRANSMITTER:

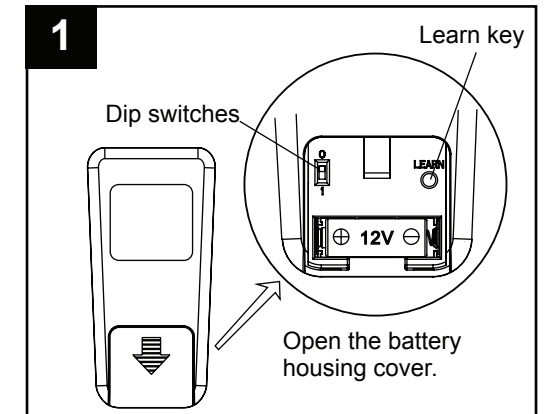
**Note:** The receiver is already wired and built into the fan housing from the factory. Receiver assembly is not needed. "Tap" refers to pressing a button on the remote for less than one second. "Press and hold" refers to pressing a button and holding the button down for one second then release the button.

#### 1. Install Battery:

Remove the battery cover from the back of the remote found in the remote pack (M). Insert the battery from the remote pack (M) into the remote; ensure polarity of battery matches the polarity indicated in the battery compartment -- positive (+) to positive (+) and negative (-) to negative (-). Replace the battery cover.

#### 2. Learning/Pairing (see Fig. 1):

The dip switch in the remote control has been set to "0" to match the receiver in the fan. If there is more than one remote control in a room, changing dip switch settings may be needed.



To change a dip switch setting, slide the switch inside the battery compartment to "1", turn off power to the fan, then turn on the power. Within 30 seconds of restoring power, tap the "learn" key on the back of the remote control. If learning is successful, the fan light will blink three times and turn on.

**Note:** The fan will run at the highest speed in corresponding direction per seasonal slide switch.

#### 3. Season Slide Switch:

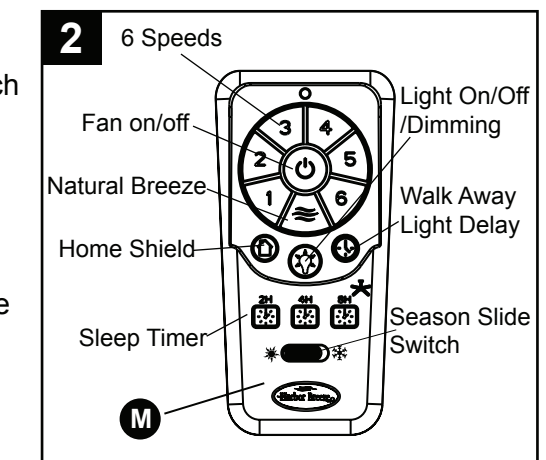
When the season changes, you may want to change the direction your fan spins. To switch between clockwise and counterclockwise rotation, flip the season slide switch.

**Note:** Wait for the fan to stop before reversing switch.

- In warmer weather, counterclockwise rotation creates a downward air flow, which cools the air. Push the switch LEFT and see a Sun icon.
- In cooler weather, clockwise rotation creates an upward air flow, which moves hot air from the ceiling into the room. Push the switch RIGHT and see a Snowflake icon.

#### 4. Fan Speeds: 6 Speeds and Natural Breeze (See Fig. 2):

- Tap "1", "2", "3", "4", "5" or "6" key to switch fan to corresponding speed, "1" being the lowest and "6" being the highest.
- Tap "≈" key to enter Natural Breeze mode. Natural Breeze mode will simulate a natural breeze, like being outside. (Fan blades will turn at different speeds randomly.)
- To exit Natural Breeze mode, tap "⏻" then one of the numerical settings to shift to relative key function/speed.



## OPERATING INSTRUCTIONS

---

### 5. Fan On/Off (See Fig. 2):

- Fan On/Off controls power to the fan.
- When fan is on, tap “⏻” key. Fan will turn off.
- When fan is off, tap “⏻” key. Fan will turn on.
- When fan is off, tap “⏻” key. fan has memory and turns fan to most recent fan speed.

### 6. Light On/Off/Dimming (See Fig. 2):

- Tap “★” key to turn light on/off; press and hold for dimming.

### 7. Walk Away Light Delay (See Fig. 2):

- Using this button automatically turns off the light 1 minute after button is pressed.
- Tap “🕒” once, light on ceiling fan blinks once to confirm Walk Away Light Delay is active, the light and fan turn off after 1 minute.
- During Walk Away Light Delay mode, press any other key to cancel function.

### 8. Home Shield (See Fig. 2):

- Using this button will randomly turn lights on and off to give the illusion that someone is at home.
- Tap Home Shield button “🏠”, light on ceiling fan blinks two times to confirm Home Shield is active. Fan is off and the light will cycle through A and B modes as described below:
- A mode: Light randomly turns on for 5-20 minutes.
- B mode: Light is off for 60 minutes.
- During Home Shield mode, press any other key to cancel function.

### 9. Sleep Timer (See Fig. 2):

- Using these buttons will turn the fan off automatically after a 2-hour, 4-hour, or 8-hour duration.
- Turn the fan on at the desired speed.
- Tap “2H”, “4H”, or “8H” key. The fan will turn off automatically after desired time has expired.
- During Sleep Timer mode, tap “⏻” key to exit Sleep Timer mode.  
Tap “🕒” or “🏠” to also exit Sleep Timer and shift to relative key function.

### 10. Power Off Memory (See Fig. 2):

- Using this button resumes the settings used on the fan prior to the power being turned off.
- If the fan was in sleep timer mode before the power is turned Off, fan will be off when power is turned back On.
- If the fan is in the Walk Away Light Delay mode before power is turned Off, both the fan and light will be off when power is turned back On.

## CARE AND MAINTENANCE

---

- To reduce the risk of fire, electric shock or injury to persons, care and maintain this fan.
- **IMPORTANT:** Shut off main power supply before beginning any maintenance.
- DO NOT use water or detergents when cleaning the fan or fan blades. A dry dust cloth or lightly dampened cloth will be suitable for most cleaning.
- Clean fan housing with only a soft brush or lint-free cloth to avoid scratching the finish. Clean blades with a lint-free cloth. You may occasionally apply a light coat of furniture polish to blades for added protection.
- At least twice each year, tighten all screws and lower canopy to check mounting bracket screws and downrod assembly.
- Bulb Replacement: Use three 40-watt max. type A15 candelabra-base bulbs.





## TROUBLESHOOTING

PROBLEM	POSSIBLE CAUSE	CORRECTIVE ACTION
Fan blades do not move	1. Power is off or fuse is blown.	1. Turn power on or check fuse. 2. Turn power off. Loosen motor housing, check all connections.
Noisy operation.	2. Cracked blade.	1. Tighten all blade screws. 2. Replace blades (call customer service).
Excessive wobbling.	1. Blades are loose. 2. Unbalanced blades. 3. Fan not securely mounted. 4. Blade arms incorrectly attached. 5. Fan too close to vaulted ceiling.	1. Tighten all blade screws. 2. Use balance kit. 3. Turn power off. Carefully loosen canopy and remount securely. 4. Reinstall blade arms. 5. Lower or move fan. Extension downrods are available at Lowes Home Improvement.
Remote control malfunction.	1. No flash on transmitter LED. 2. The remote control does not work.	1. Please check if the battery is installed into the remote control. Make sure the battery is installed properly. One side of the battery is positive and the other is negative. 2. Try to pair the remote control to the receiver following these steps: Turn the power to the fan off, then turn the power to the fan on. Within 30 seconds of restoring power, tap the "learn" key on the back of the remote control. If learning is successful, the fan light will blink three times and turn on. The fan will run at the highest speed in corresponding direction per seasonal slide switch.

## WARRANTY

The manufacturer warrants this fan to be free from defects in workmanship and material present at time of shipment from the factory for lifetime limited from the date of purchase. This warranty applies only to the original purchaser. The manufacturer agrees to correct such defect at no charge or at our option replace the ceiling fan with a comparable or superior model.

To obtain warranty service, present a copy of your sales receipt as proof of purchase. All cost of removal and are the expressed responsibility of the purchaser. Any damage to the ceiling fan by accident, misuse or improper installation, or by affixing accessories not produced by the manufacturer of the fan, are at the purchaser's own responsibility. The manufacturer assumes no responsibility whatsoever for fan installation during the lifetime limited warranty. Any service performed by an unauthorized person will render the warranty invalid.

Due to varying climatic conditions, this warranty does not cover changes in brass finish, rusting, pitting, tarnishing, corroding or peeling. Brass finish fans maintain their beauty when protected from varying weather conditions. Any glass provided with this fan is not covered by the warranty. Any replacement of defective parts for the ceiling fan must be reported within the first year from the date of purchase. For the balance of the warranty, call our customer service department at 1-866-473-4537 for return authorization and shipping instructions so that we may repair or replace the ceiling fan. Any fan or parts returned improperly packaged is the sole responsibility of the purchaser. There is no further expressed warranty. The manufacturer disclaims any and all implied warranties.

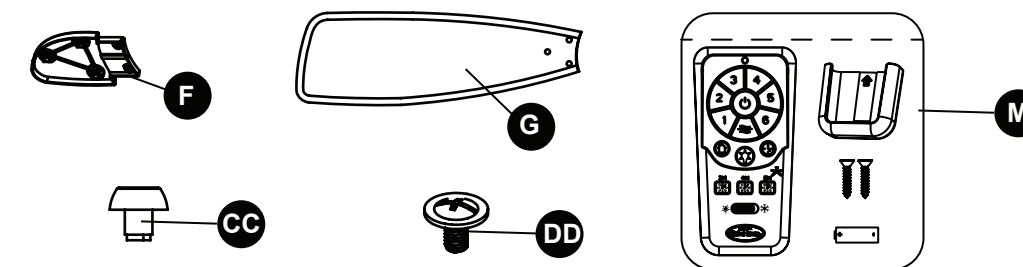
The duration of any implied warranty which can not be disclaimed is limited to the lifetime limited period as specified in our warranty. The manufacturer shall not be liable for incidental, consequential or special damages arising at or in connection with product use or performance except as may otherwise be accorded by law. This warranty gives you specific legal rights and you also have other rights which vary from state to state. This warranty supersedes all prior warranties.

**Note:** A small amount of "wobble" is normal and should not be considered a defect.

## REPLACEMENT PARTS LIST

For replacement parts, call our customer service department at 1-866-473-4537, 8 a.m. - 7 p.m., EST, Monday - Friday, 9 a.m. - 6 p.m., EST, Saturday.

PART	DESCRIPTION	PART#	
		Item #0698388	Item #0698389
F	Blade Arm	104000-0228BN	104000-0228ZW
G	Blade	108004-0059K6	108004-00592B
CC	Decorative Screw	109000-0771BN	109000-0771ZW
DD	Blade Screw	109000-0838CR	109000-0838ZW
M	Remote Pack	990319-014600	



Printed in China  
Harbor Breeze® is a registered trademark of LF, LLC. All rights reserved.



Lowes.com/harborbreeze

