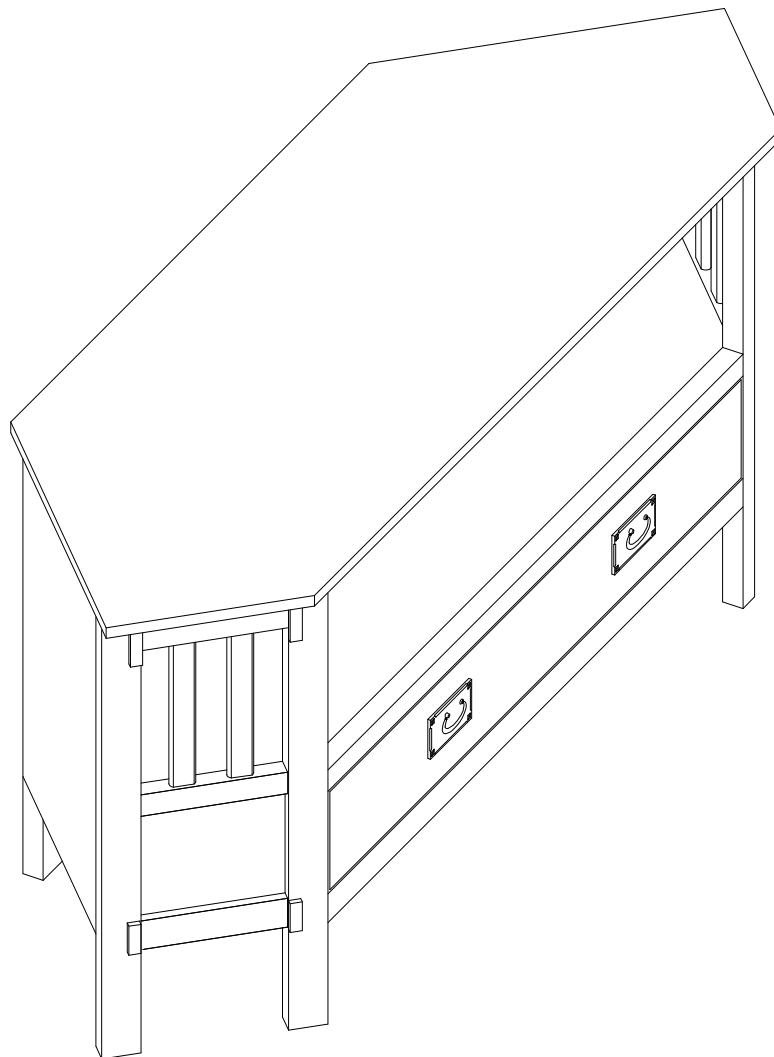


ITEM NO MS888500TX  
"CARSON" 48"W CORNER TV  
STAND  
Assembly Instructions



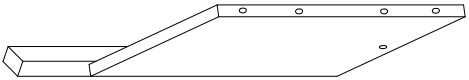
For assistance with assembly contact:  
Southern Enterprises, Inc.  
Customer Service 1-800-633-5096  
service@seidal.com  
www.seidal.com



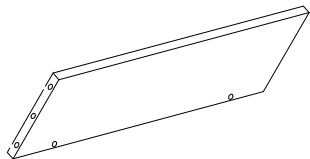
# "CARSON" 48"W CORNER TV STAND

## Parts List

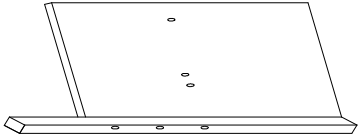
Please review all parts and hardware before disposing of any packaging. Call Customer Service if missing hardware. Do not return to store/retailer. Using a screw that is too long will cause damage. Before beginning assembly, separate each type of screw. Carefully study the screw diagrams below. You may receive extra hardware with your unit.

**A**  Quantity of 1

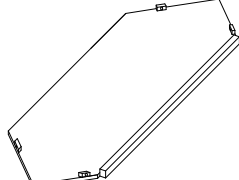
Right Back Frame

**B**  Quantity of 1

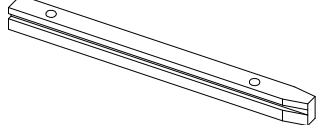
Back Panel

**C**  Quantity of 1

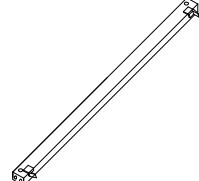
Left Back Frame

**D**  Quantity of 1

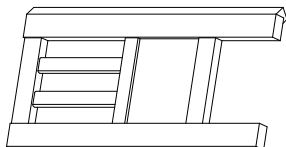
Shelf Panel

**E**  Quantity of 1

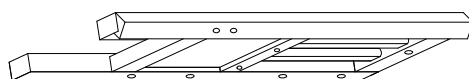
Wood guide slide

**F**  Quantity of 1

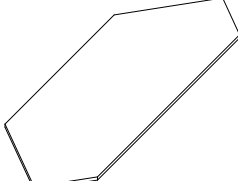
Lower front rail

**G**  Quantity of 1

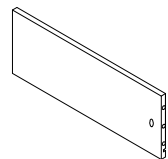
Left Side Frame

**H**  Quantity of 1

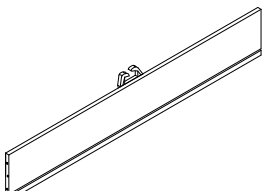
Right Side Frame

**I**  Quantity of 1

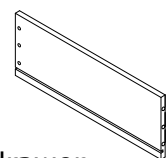
Top Panel

**J**  Quantity of 1

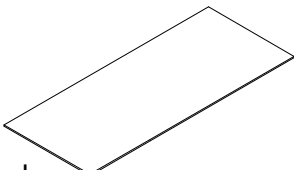
Left side panel of drawer

**K**  Quantity of 1

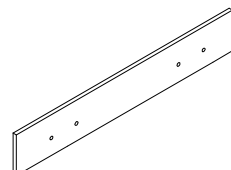
Drawer back panel

**L**  Quantity of 1

Right side panel of drawer

**M**  Quantity of 1

Drawer bottom panel

**N**  Quantity of 1

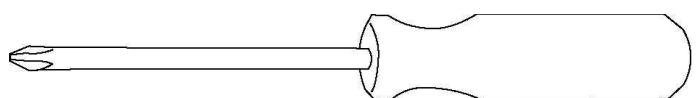
Drawer front panel

### Care and Cleaning Instructions:

Before using, wipe with a clean, dry cloth. Periodically apply furniture wax to renew the finish. Avoid rubbing or scratching the surface with rough or abrasive objects.

For replacement parts or questions, please Call Customer Service at 1-800-633-5096 Do not return product to store, please call Manufacturer for assistance, questions or Parts.

**Assembly Tool Required**  
**No.2 Phillips Screwdriver (Not Included)**

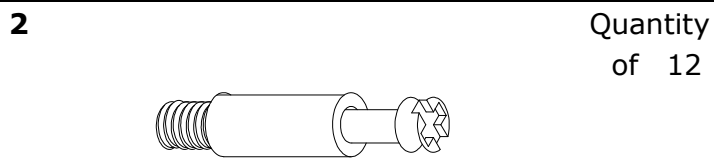


# "CARSON"48"W CORNER TV STAND Parts List

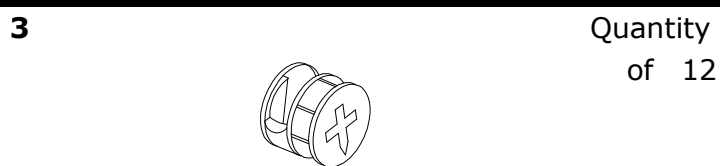
Please review all parts and hardware before disposing of any packaging. Call Customer Service if missing hardware. Do not return to store/retailer. Using a screw that is too long will cause damage. Before beginning assembly, separate each type of screw. Carefully study the screw diagrams below. You may receive extra hardware with your unit.



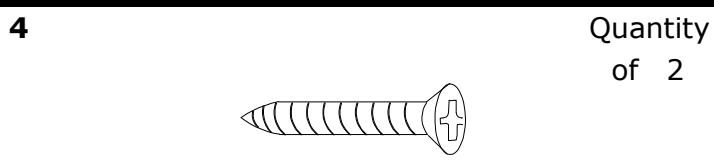
Wood Dowel (Ø8\*30MM)



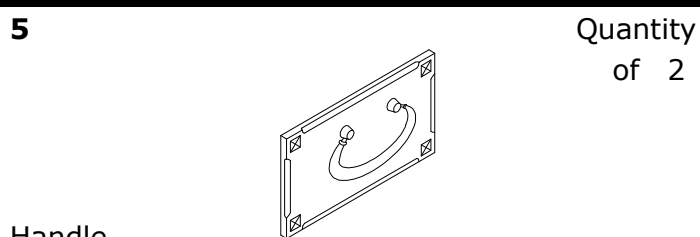
Cam Bolt



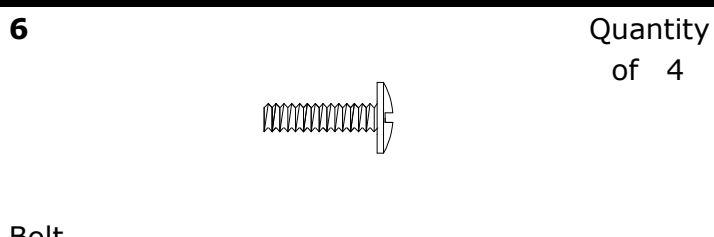
Cam Lock



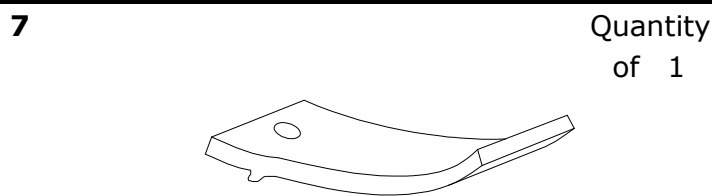
Wood Screw (Ø8\*1-1/4")



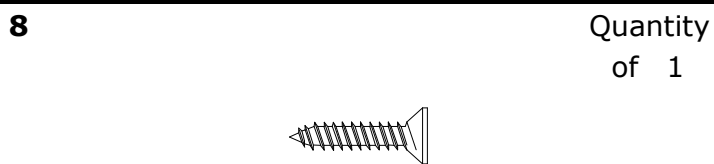
Handle



Bolt



Drawer stopper



Wood Screw (Ø3\*12MML)



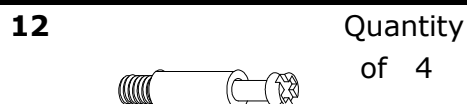
Screw 5/32"x1"



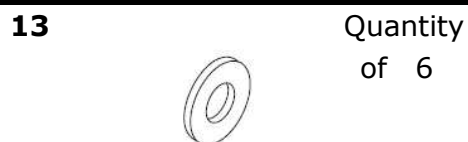
Flat Screw 1/4"x1-1/8"



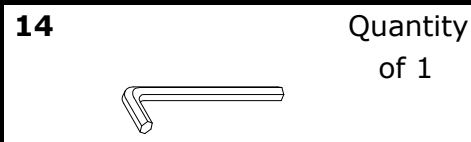
Cam Lock



Cam Bolt



Washer



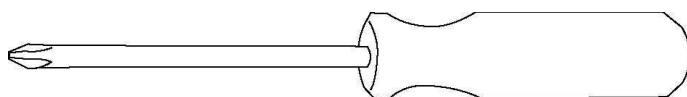
Wrench

## Care and Cleaning Instructions:

Before using, wipe with a clean, dry cloth. Periodically apply furniture wax to renew the finish. Avoid rubbing or scratching the surface with rough or abrasive objects.

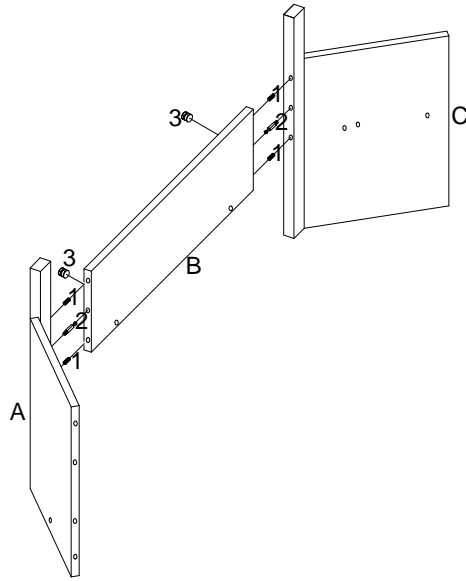
For replacement parts or questions, please Call Customer Service at 1-800-633-5096 Do not return product to store, please call Manufacturer for assistance, questions or Parts.

**Assembly Tool Required**  
**No.2 Phillips Screwdriver (Not Included)**



# "CARSON" 48"W CORNER TV STAND

## Assembly Instructions



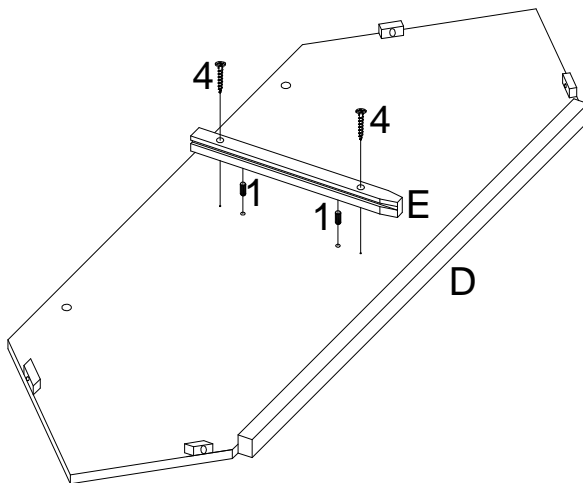
**Figure 1**

**Assembly Instructions:**

Wood may scratch easily, Be careful when assembling. Do not scratch.

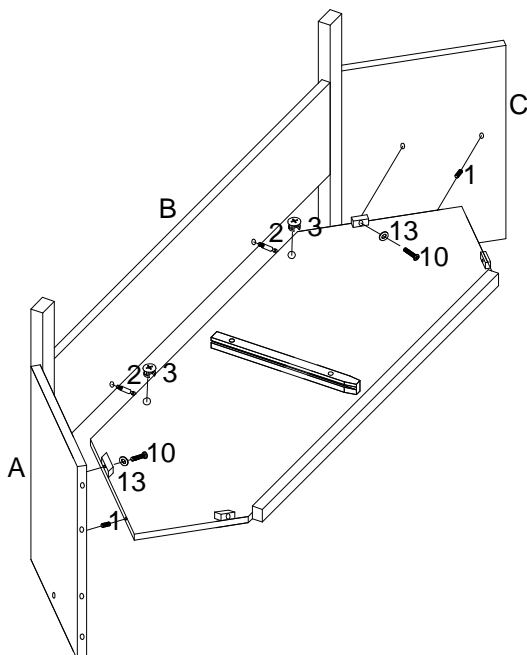
Step 1 Unpack and lay parts on clean, padded surface like carpet or blanket. Check that you have all parts indicated on the front page.

Step 2 Connect the Left and Right Back Frame (A, C), the Back Panel(B) with 4pcs Wood Dowel (1), 2pcs Cam Bolts (2) and 2pcs Cam Lock (3).



**Figure 2**

Attach the Drawer Guides (E) to the Shelf Panel (D) with 2pcs Wood Dowels (1) and 2pcs Wood Screws (4).

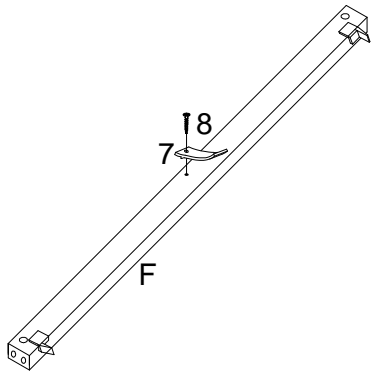


**Figure 3**

Attach the unit assembled at STEP1 to the unit assembled at STEP2 with 2pcs flat screw (10) and 2pcs Washer (13), 4pcs Wood Dowel (1) ,2pcs Cam Bolts (2) and 2pcs Cam Lock (3).

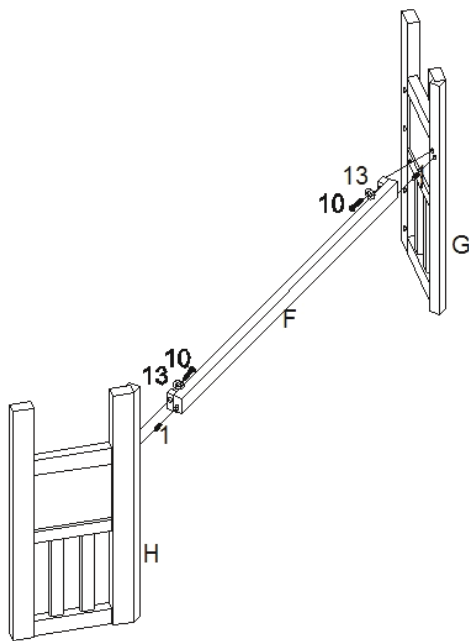
# "CARSON" 48"W CORNER TV STAND

## Assembly Instructions



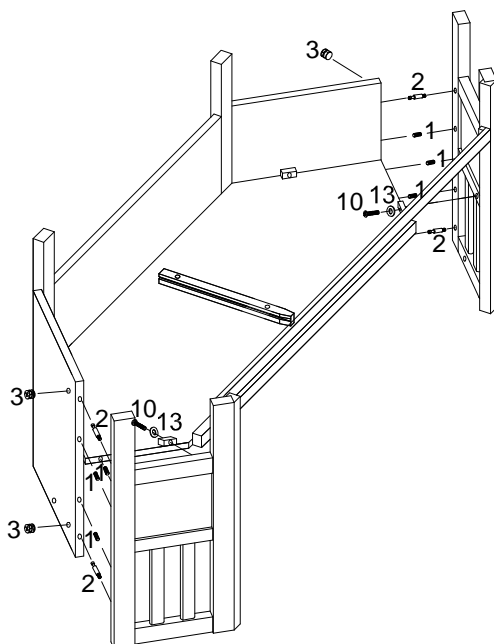
**Figure 4**

Attach 1pc Plastic Drawer Stopper (8) to Lower front rail (F) with 1pc Wood Screw (7) as shown.



**Figure 5**

Connect the Lower Front rail (F) to the Left and Right Side Frame (G,H) with 2pcs Wood Dowels (1). Then use 2pcs flat screw(10) and 2pcs Washer (13) to tighten them.

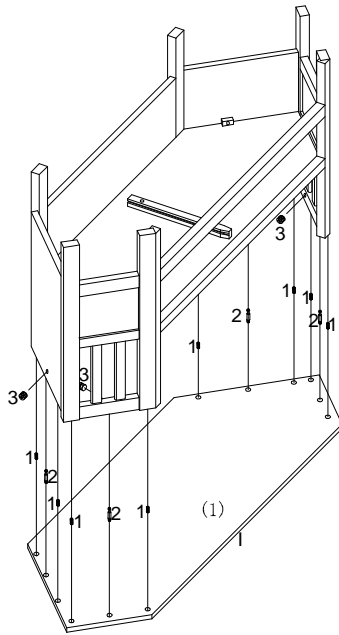


**Figure 6**

Connect the assembled unit at STEP3 and STEP5 with 6pcs Cam Bolt (2), 4pcs Cam Lock (3) and 4pcs Wood Dowel (1). Then use 2pcs flat screw(10) and 2pcs Washer (13)to tighten them

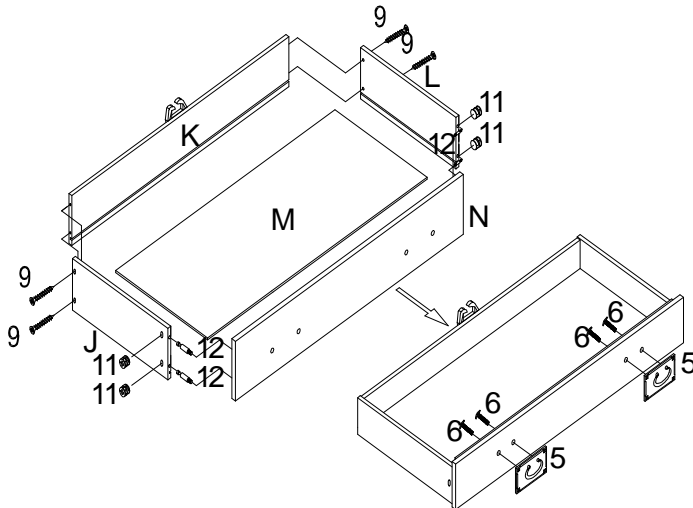
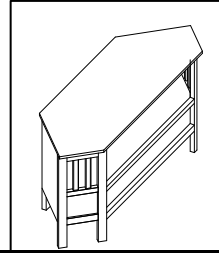
# "CARSON" 48"W CORNER TV STAND

## Assembly Instructions



**Figure 7**

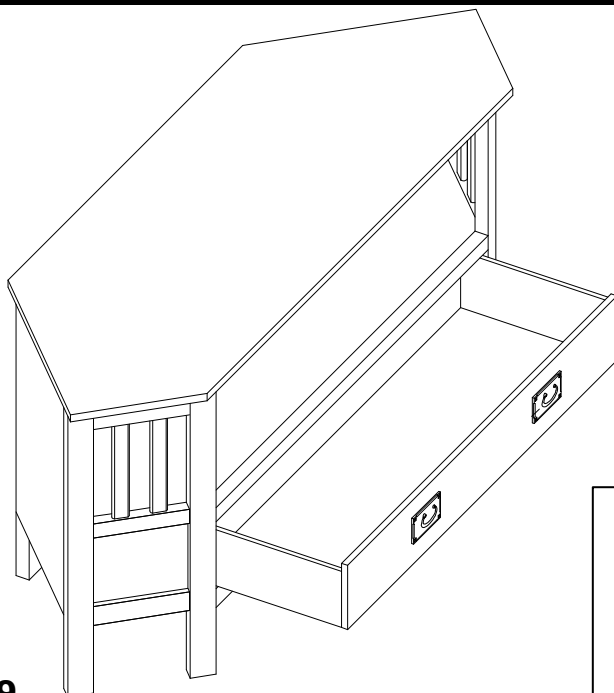
Connect the Top Panel(I) with 8pcs Wood Dowel (1), 4pcs Cam Bolts (2) and 4pcs Cam Locks (3).



**Figure 8**

Connect the Left and Right Drawer Sides (J,L) ,Drawer backs (K), Drawer bottoms (M) and Front Drawer Panel(N) with Cam Bolts (12) and 4pcs Cam Locks (11) and 4pcs screw (9).

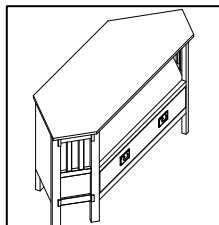
Fix the Handle (5) to the Drawer Front (N) with 4pcs Bolts (6).



**Figure 9**

Insert the Drawer into the TV stand.

Now you Corner TV stand is finish assembled and ready to use!



# Parts Replacement Form

## Customer Information

Name

---

Address

---

City/State/Zip Code

---

Phone Number

---

Please indicate where you purchased this item: Store/Website/Catalog

---

Please indicate color/size/style number:

---

Style No

Parts Letter

Parts Description

Quantity Needed

Please immediately examine this product carefully. Any request for missing parts or damage replacement must be received within 90 days of your receipt of the product. Replacement, if available, will be honored within this time frame. Parts will not be available for items arriving fully assembled. We do not recommend modifying product(s) and we are not responsible for any damages due to product modification(s). If damages or missing parts are not reported within 90 days of your receipt, we are under no obligation to provide parts or replacement merchandise.

Please contact Southern Enterprises at 800-633-5096 or in Dallas 972-869-0111/ 9am – 4pm Mon-Fri Central time if you have product issues or email us at [service@seidal.com](mailto:service@seidal.com). Please ask for customer service representative for issues involving damages or replacement parts. Please ask for technical assistance representative for any issues with product and assembly/construction.

Please contact the retailer that you purchased from for returns.



Customer Service 1-800-633-5096

[service@seidal.com](mailto:service@seidal.com)

Southern Enterprises, Inc.

600 Freeport Parkway, Suite 200

Coppell, Texas 75019



## **CAUTION**

The top shelf of this cabinet is intended for plasma/LCD televisions having a maximum screen size of 46" and weight of 175 lb.

The top shelf is NOT INTENDED for tube televisions.

DO NOT EXCEED RECOMMENDED LOAD. Use with products heavier than the maximum sizes and weights indicated may result in instability causing possible injury.

This unit contains a permanent warning sticker located on under side of top shelf or inside drawer.

Do not allow children under 16 years to move the cart.

Model: MS888500TX  
"CARSON" TV Stand  
Southern Enterprises, Inc  
600 Freeport Parkway,  
Suite 200 Coppell, Texas, 75019  
Manufacture Date: 03/04/2010