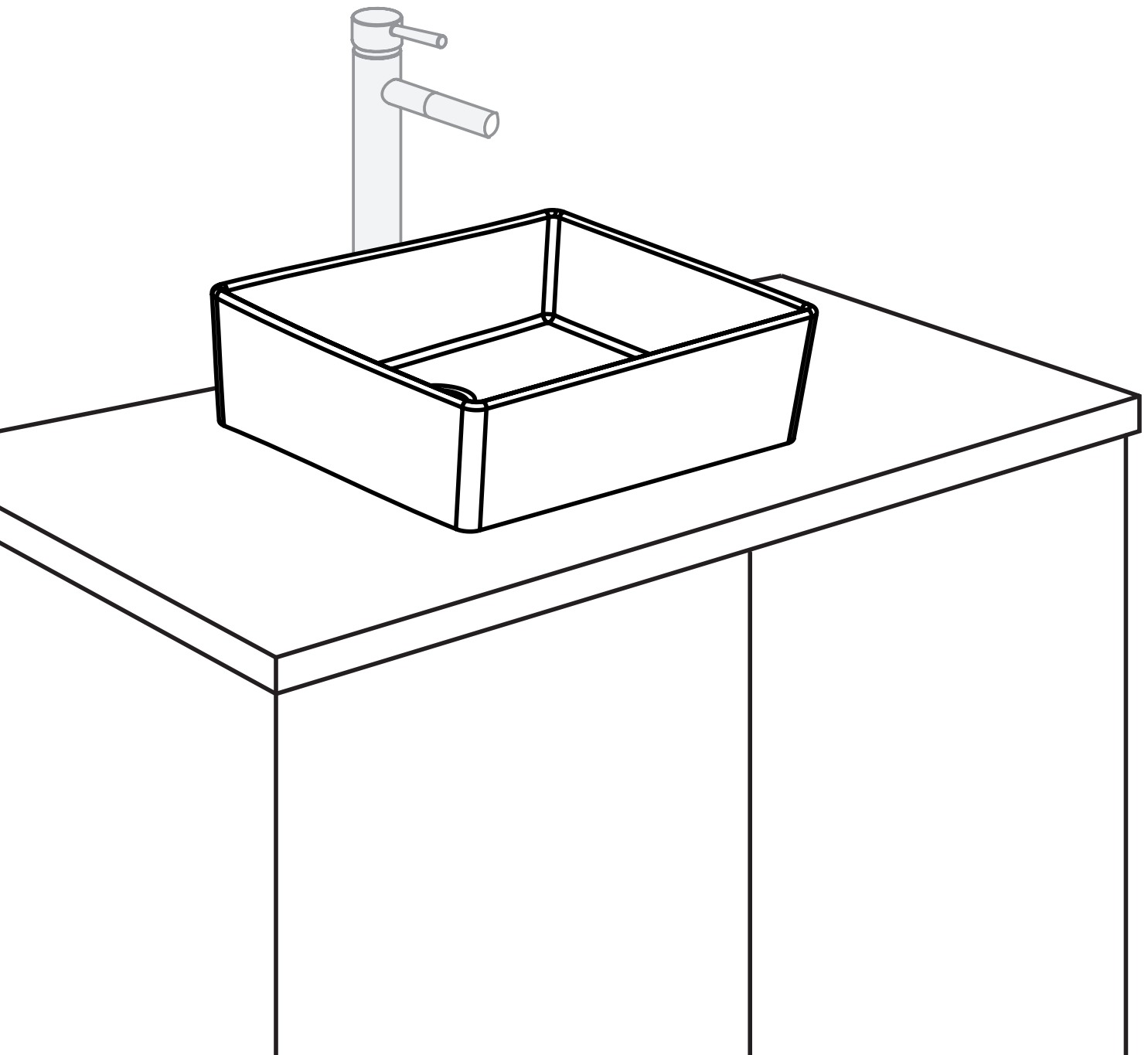




**INSTALLATION INSTRUCTIONS  
VESSEL BATHROOM SINKS**



**CAUTION:**

Risk of personal injury or product damage. Handle with care.  
Product can break, chip, cause injury or product damage.

**WARNING:**

This product can expose you to chemicals, including lead, which is known to the state of California to cause cancer and birth defects or other reproductive harm.

For more information go to [p65warnings.ca.gov](http://p65warnings.ca.gov)

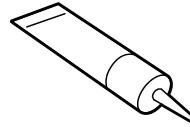
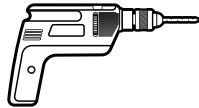
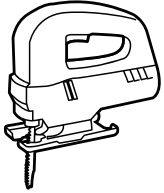
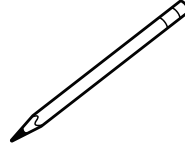
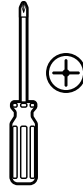
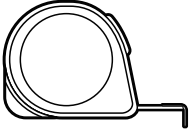
## IMPORTANT INFORMATION

- Read these instructions carefully before you begin this installation.
- Observe all applicable local plumbing and building codes.
- Superior Sinks recommends all sinks are installed by experienced and professional installers. To ensure safety and damage-free installation, this sink should be installed by two people. Superior Sinks reserves the right to revise the design of products without notice.

## BEFORE YOU BEGIN

- Superior Sinks recommends that all porcelain sinks be installed by an experienced, professional installer.
- *IMPORTANT: The enclosed cutout template is only for reference. It is recommended that you discuss with your installer and agree that the finished appearance is the desired effect. Superior Sinks is not responsible for improper sink or countertop installations.*
- *IMPORTANT: The cabinet must be installed, secured, plumb, and level. Failure of this step can lead to product damage.*
- Superior Sinks porcelain sinks should only be fastened to a solid surface countertop (i.e. granite, Corian® or Silestone®).
- Superior Sinks is not responsible for sink or countertop if damaged during installation. Be sure to inspect the sink for damage prior to beginning installation.
- Follow all local plumbing and building codes.

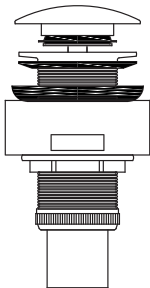
## RECOMMENDED TOOLS



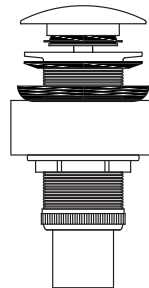
- Tape Measure
- Safety Glasses
- Painter's Tape
- Level
- Ear Protection
- Hacksaw/Jigsaw
- Pencil (Not permanent marker)
- Shims or Cabinet Fillers
- Denatured Alcohol
- Clamps
- Construction Adhesive
- Silicone Adhesive Sealant
- Support Framing Material (1 1/4" (32mm) Max Thickness)
- Screws (recommended by countertop manufacturer)

## PORCELAIN SINK INSTALLATION INSTRUCTIONS

### BEFORE INSTALLATION, PLEASE NOTE



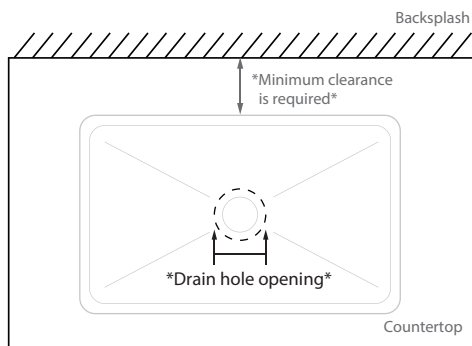
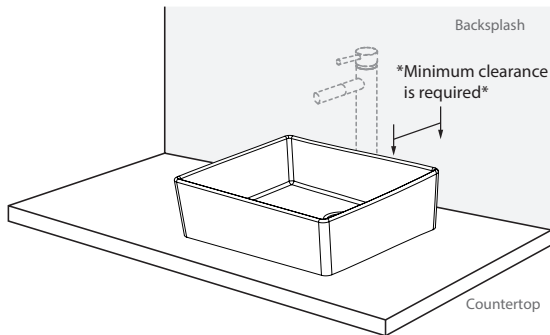
POP-UP DRAIN WITH OVERFLOW



POP-UP DRAIN WITHOUT OVERFLOW

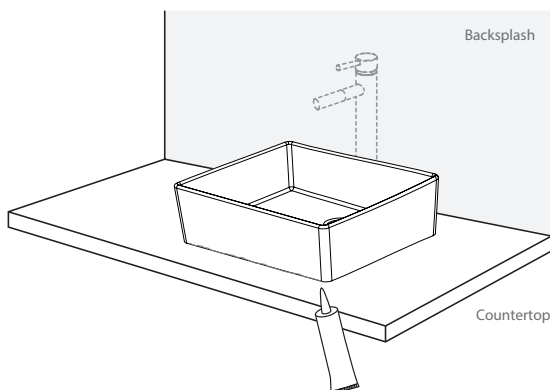
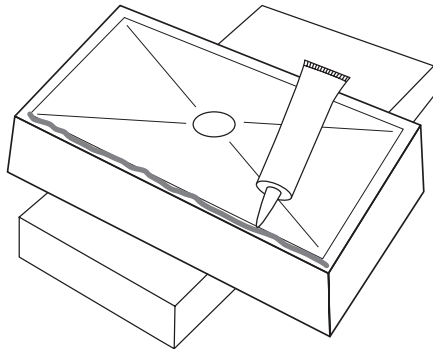
- Some vessel sinks incorporate a water overflow hole and others DO NOT. Be sure to check your faucet pop-up drain assembly (NOT INCLUDED) before starting to make sure your drain assembly is compatible with your vessel sink.

## STEP1: COUNTERTOP PREPARATION



- Unpack the new sink and check the sink.
- Place the sink in desired location on countertop and mark drain hole and faucet hole centerline with a pencil.
- NOTE: Minimum clearance distance is required for sink faucet.
- Let an experienced installer cut the drain hole opening in the countertop.
- NOTE: The drain hole opening should be big enough to allow the drain assembly go through for later install.

## STEP2: SINK INSTALLATION



- Place the vessel sink through the opening on the countertop and check for level and fit. Plumber's putty can be used to level the sink.
- Apply silicon sealant around the bottom rim of the sink as shown.
- Install the sink and check for alignment. Apply some caulking around the base of the sink to seal any gap between the sink and the countertop.
- Allow sealant to set for 30 – 60 minutes.
- Install the drain (not provided) according to the manufacturer's installation instructions. Connect trap to drain. Install the waste system, faucet, and the water supply (not provided) according to the manufacturer's installation instructions. Check for leakage.