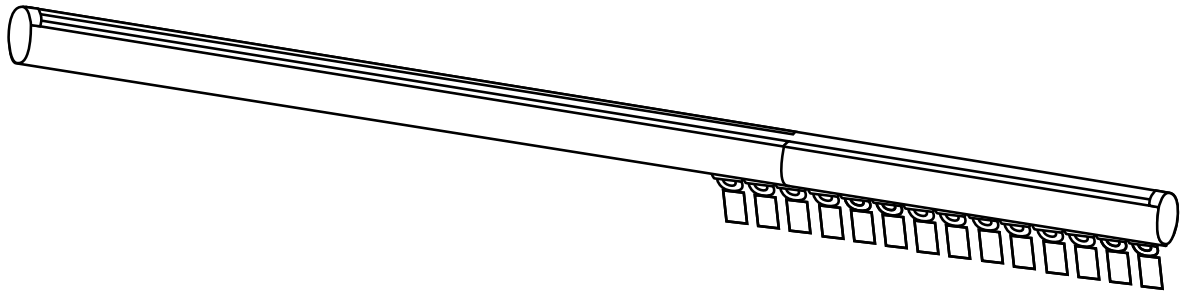


allen + roth®

welcoming • sophisticated • inspiring



allen + roth® is a registered trademark of LF, LLC. All Rights Reserved.

ITEM #0773141

3-IN-1 TRAVERSE ROD SET

MODEL #85-6290-932

ATTACH YOUR RECEIPT HERE

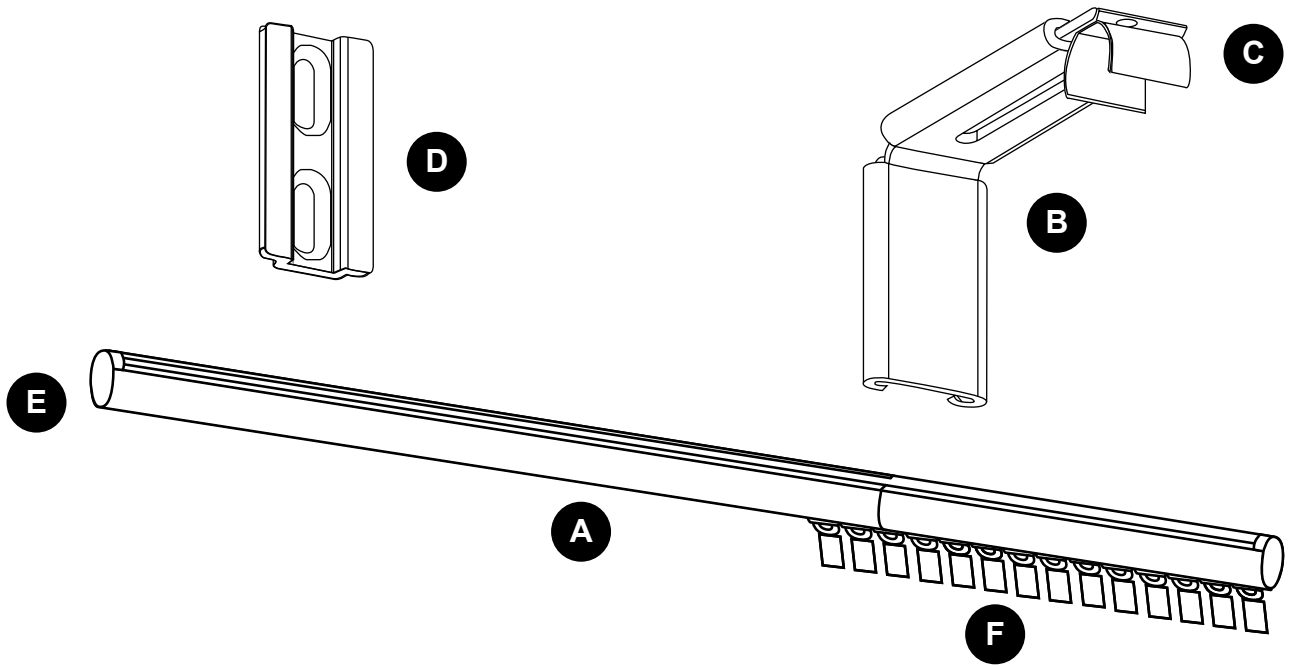
Serial Number _____ Purchase Date _____

Questions, problems, missing parts? Before returning to your retailer, call our customer service department at 1-866-439-9800, 8 a.m. - 8 p.m., EST, Monday - Friday.

EB1648

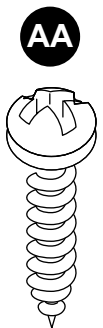
Lowes.com/allenandroth allen + roth®

PACKAGE CONTENTS



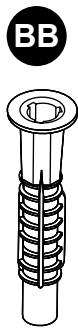
PART	DESCRIPTION	QUANTITY
A	Traverse Rod	1
B	Mounting Bracket	4
C	Mounting Clip (preassembled to Mounting Bracket (B))	4
D	Bracket Base	4
E	End Cap (preassembled to Traverse Rod (A))	2
F	Traverse Clip (preassembled to Traverse Rod (A))	36

HARDWARE CONTENTS (shown actual size)



Screw

Qty. 8



Wall Anchor

Qty. 8

PREPARATION

Before beginning assembly of product, make sure all parts are present. Compare parts with package contents list and hardware contents list. If any part is missing or damaged, do not attempt to assemble the product.

Estimated Assembly Time: 20 minutes

Tools Required for Assembly (not included): Philips Screwdriver, Drill, 3/32-in Drill Bit or 7/32-in. Drill Bit, Measuring Tape, Pencil

Helpful Tools (not included): Level.

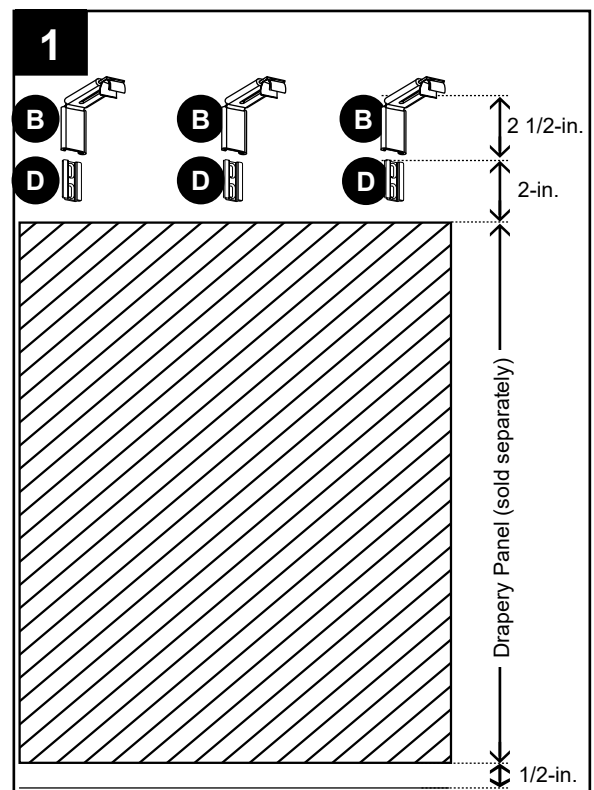
ASSEMBLY INSTRUCTIONS

This product can be installed as an outside mount or an inside/ceiling mount. For **OUTSIDE MOUNT** instructions, proceed to step 1. For **INSIDE/CEILING MOUNT** instructions, skip to step 5.

OUTSIDE MOUNT

1. Choose desired location for traverse rod, noting the height should be the sum of the fabric/drapery panel (sold separately) plus 4-1/2 inches.

Measure and mark 2 inches above the uppermost edge of the drapery panel for each bracket base (D). **Note:** Ensure there is at least 2-1/2 inches of clearance above the intended location of bracket bases (D) in order to slide mounting brackets (B) over them when necessary.



ASSEMBLY INSTRUCTIONS

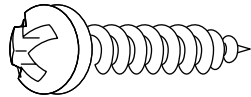
2. Position bracket bases (D) in desired end locations on the wall. **Note:** It is recommended to place the outermost bracket bases (D) approximately 3 in. in from the end of either side of the traverse rod (A).

Ensure bracket bases (D) are level and mark screw hole locations. Evenly space and level the additional bracket bases (D) between the end bracket bases (D), making sure they are no farther than 48 in. apart.

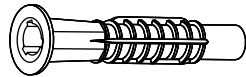
3. Secure bracket bases (D) with screws (AA). **Note:** If you are drilling into wood, drill a starter hole at each mark using a 3/32-in. bit then insert screws (AA). If you are drilling into paneling or drywall with no studs present, use a 7/32-in. bit for wall anchors (BB) and then insert screws (AA).

Hardware Used

AA Screw

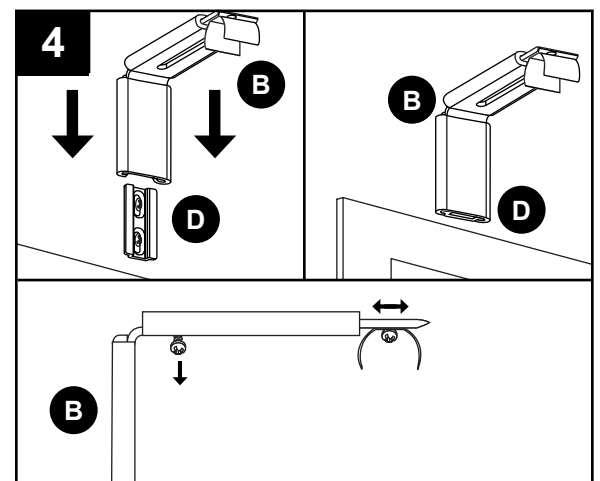
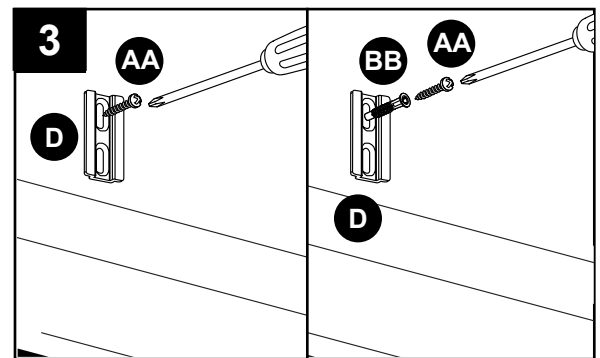
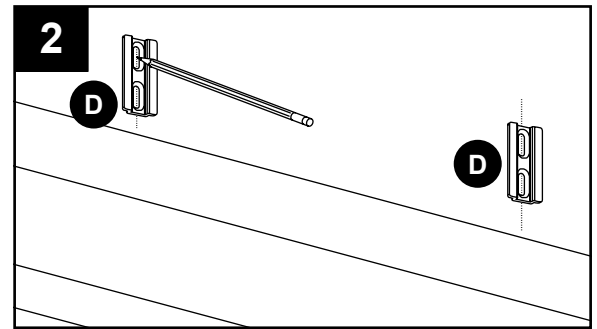


BB Wall Anchor



4. Slide mounting brackets (B) onto bracket bases (D). **Note:** Loosen preassembled screws on mounting brackets (B) to adjust the mounting depth as needed. Retighten when adjustments are finished.

Proceed to step 8.

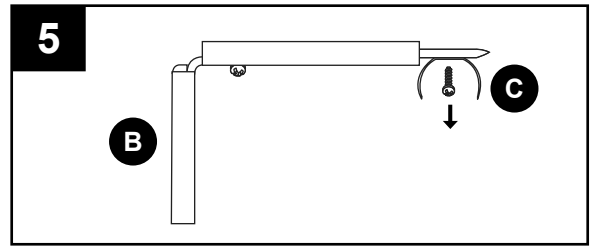


ASSEMBLY INSTRUCTIONS

INSIDE/CEILING MOUNT

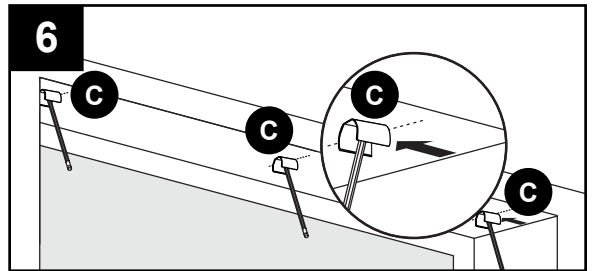
5. Unscrew preassembled screws from mounting clips (C) and remove mounting clips (C) from mounting brackets (B).

Note: For inside/ceiling mount, you will not need the preassembled screws, mounting brackets (B) or the bracket bases (D).

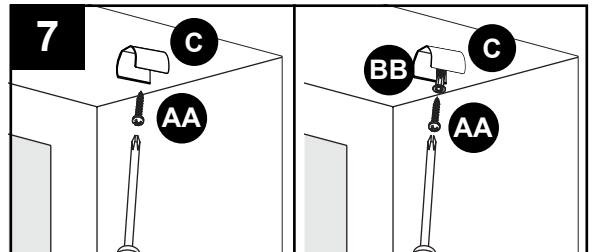


6. Position mounting clips (C) in desired end locations. **Note:** It is recommended to place the outermost mounting clips (C) at least 3 in. in from either side of the traverse rod (A) ends.

Ensure they are in a straight line and mark screw hole locations. Evenly space remaining mounting clips (C). Ensure they are in a straight line and mark screw hole locations.



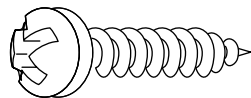
7. Secure mounting clips (C) with screws (AA). **Note:** If you are drilling into wood, drill a starter hole at each mark using a 3/32-in. bit then insert screws (AA). If you are drilling into paneling or drywall with no studs present, use a 7/32-in. bit for wall anchors (BB) and then insert screws (AA).



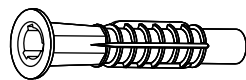
Proceed to step 8.

Hardware Used

AA Screw

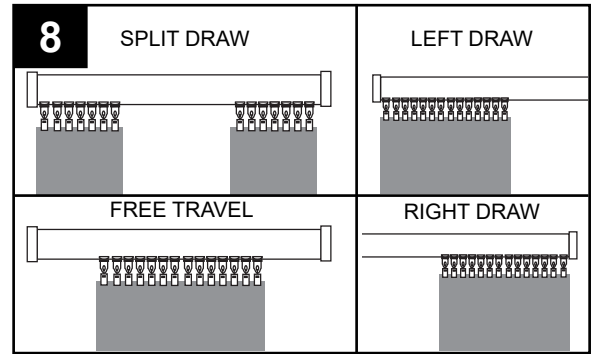


BB Wall Anchor

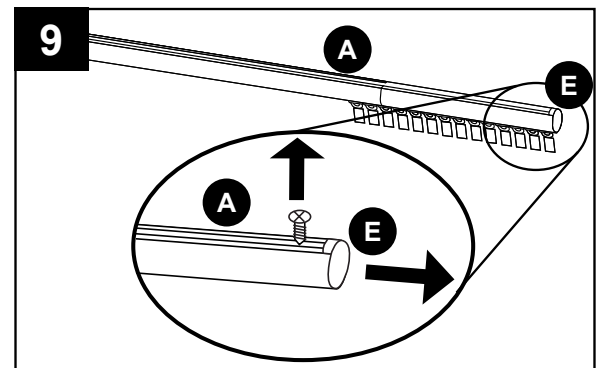


ASSEMBLY INSTRUCTIONS

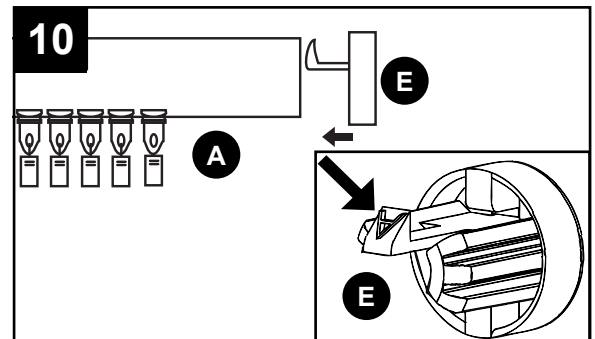
8. The traverse rod (A) comes set as a split draw, with the end caps (E) positioned to lock the outside traverse clips (F) in place. To change the traverse rod to a **LEFT DRAW**, proceed to step 9. To change the traverse rod to a **RIGHT DRAW**, skip to step 12. To change the traverse rod to **FREE TRAVEL**, skip to step 15. To keep the **SPLIT DRAW**, proceed to final step 17.



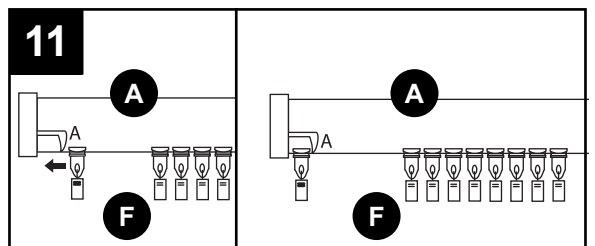
9. For **LEFT DRAW**: Remove preassembled screw on traverse rod (A) above the right end cap (E). Remove end cap (E).



10. Flip end cap (E) over so the tab marked "A" is on top, then insert the end cap (E) back into the traverse rod (A) until it locks in place. Re-insert screw to secure.



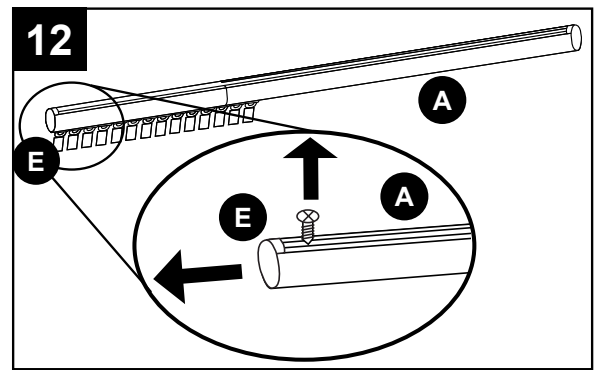
11. Push the traverse clip (F) closest to the altered end cap (E) into the retaining clip of the end cap (E). You will hear a click when the traverse clip (F) locks in place.



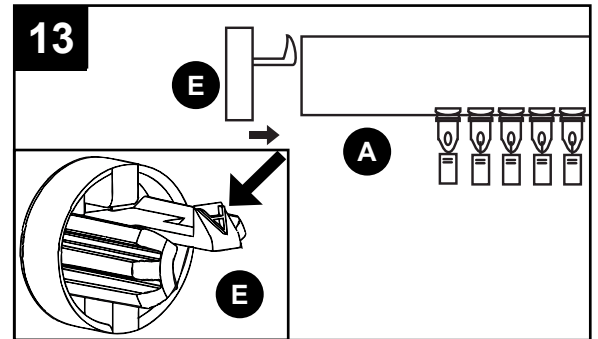
Proceed to step 17.

ASSEMBLY INSTRUCTIONS

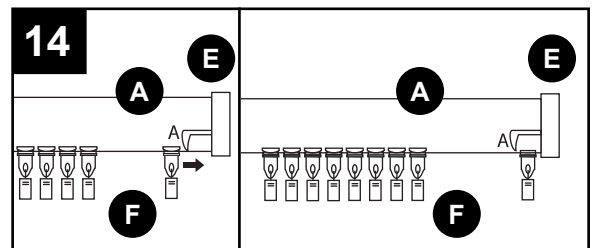
12. For **RIGHT DRAW**: Remove preassembled screw on traverse rod (A) above the left end cap (E). Remove end cap (E).



13. Flip end cap (E) over so the tab marked "A" is on top, then insert the end cap (E) back into the traverse rod (A) until it locks in place. Re-insert screw to secure.

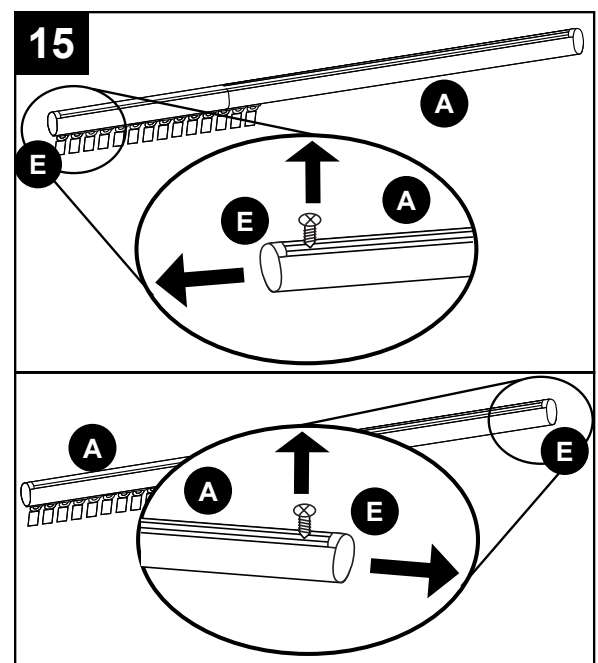


14. Push the traverse clip (F) closest to the end cap into the retaining clip of the left end cap. You will hear a click, locking the traverse clip (F) in place.



Proceed to step 17.

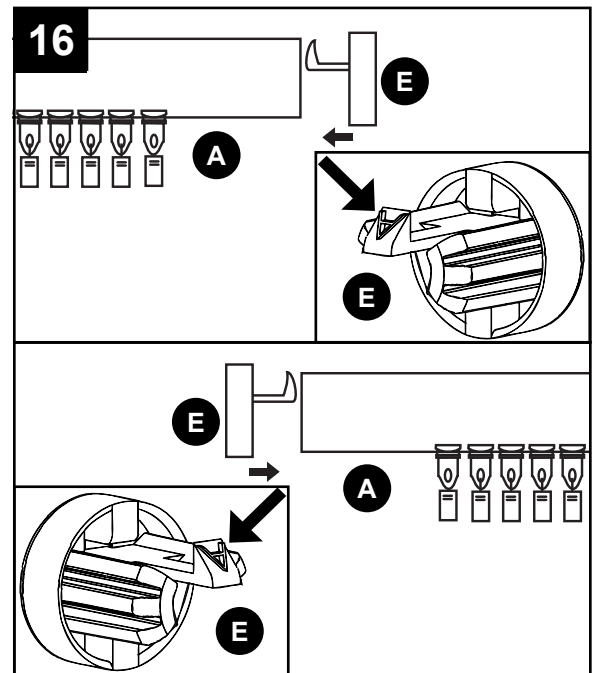
15. For **FREE TRAVEL**: Remove preassembled screws on traverse rod (A) above both end caps (E). Remove end caps (E).



ASSEMBLY INSTRUCTIONS

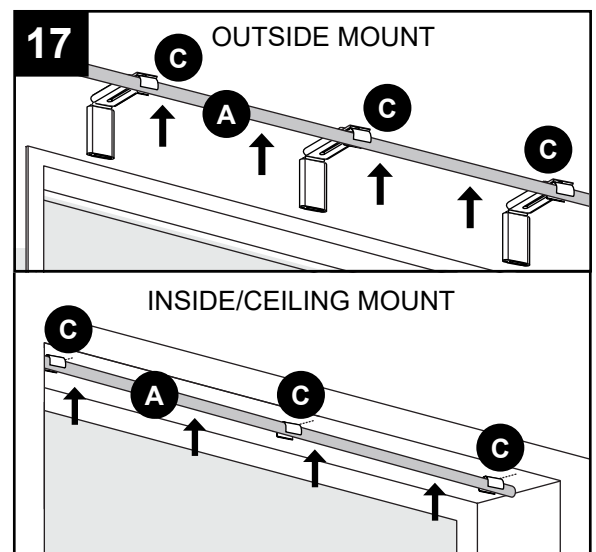
16. Flip end caps (E) over so the tabs marked "A" are on top, then insert the end caps (E) back into the traverse rod (A) until they lock in place. Re-insert screws to secure.

Proceed to step 17.



17. To complete installation, extend traverse rod (A) to desired width, securing to bracket clips (C).

Assembly is now complete.



CARE AND MAINTENANCE

Dust with dry cloth as needed.

TROUBLESHOOTING

PROBLEM	POSSIBLE CAUSE	CORRECTIVE ACTION
Traverse clips do not freely slide from side to side.	Mounting brackets are not level.	Adjust the bracket bases to ensure all mounting brackets are level.

Printed in China

allen + roth® is a registered trademark of LF, LLC. All rights reserved.