



allen + roth® is a registered trademark of LF, LLC. All Rights Reserved.

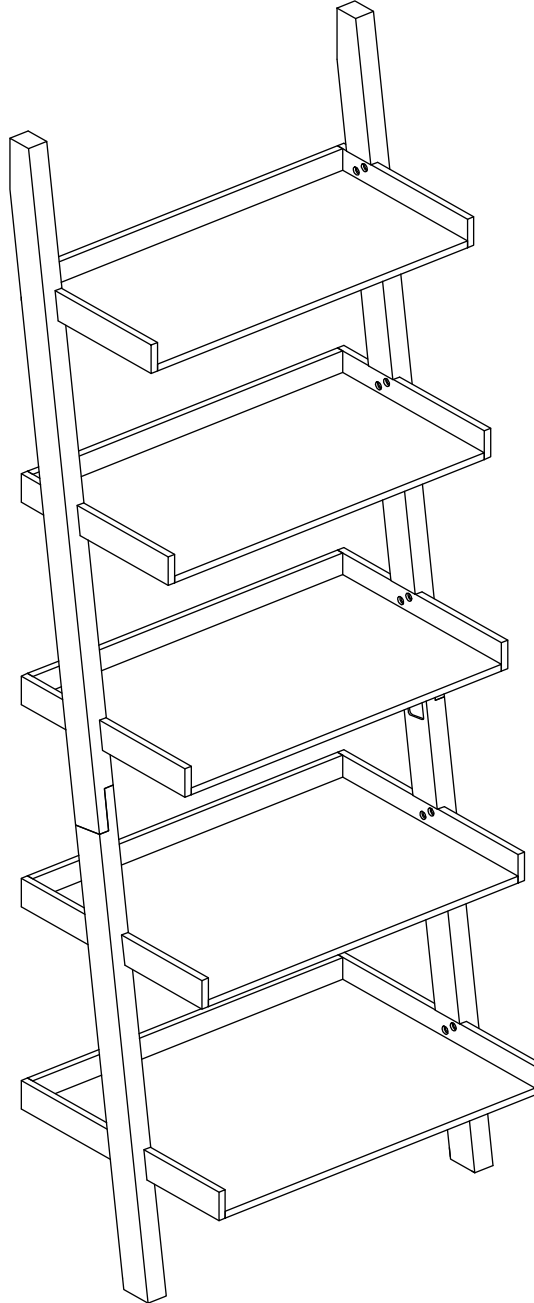
ITEM #0358295

# LEANING LADDER SHELF

MODEL #NLS-10

**Español p. 8**

**French p. 15**



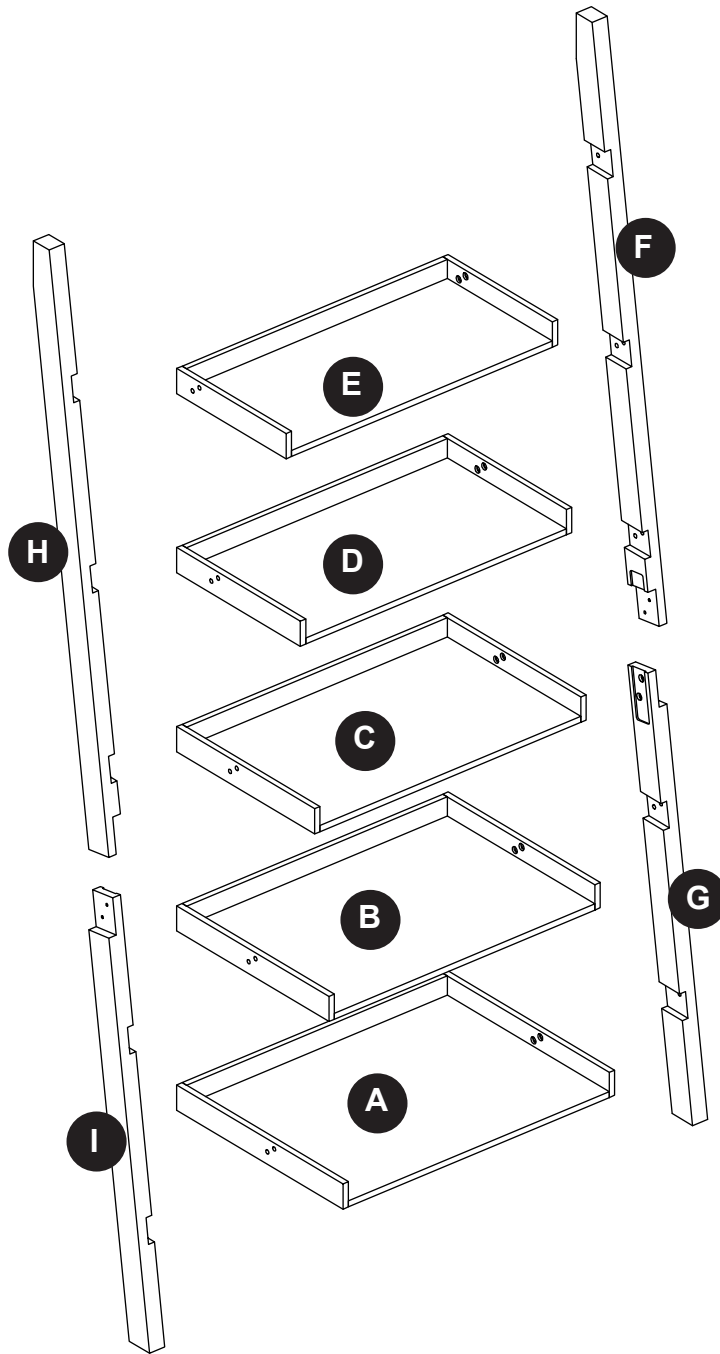
**ATTACH YOUR RECEIPT HERE**

**Serial Number** \_\_\_\_\_ **Purchase Date** \_\_\_\_\_



**Questions, problems, missing parts?** Before returning to your retailer, call our customer service department at 1-866-439-9800, 8 a.m. - 8 p.m., EST, Monday - Friday.

# PACKAGE CONTENTS



PART	DESCRIPTION	QUANTITY
A	1st Shelf	1
B	2nd Shelf	1
C	3rd Shelf	1
D	4th Shelf	1
E	5th Shelf	1

PART	DESCRIPTION	QUANTITY
F	Top Right Post	1
G	Base Right Post	1
H	Top Left Post	1
I	Base Left Post	1

**HARDWARE CONTENTS** (shown actual size)

---

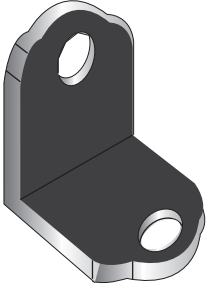
**AA**



Wood  
Screw

Qty. 24

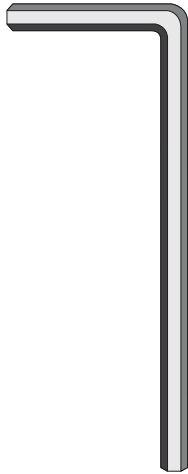
**BB**



L-Bracket

Qty. 2

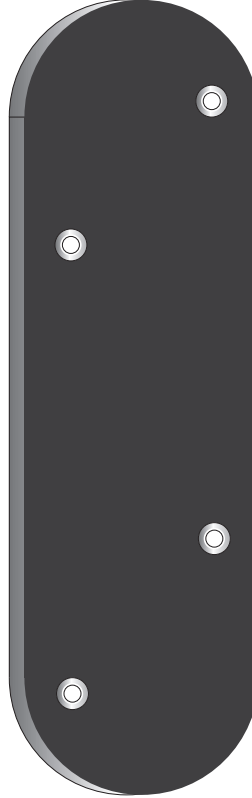
**CC**



Allen  
Wrench

Qty. 1

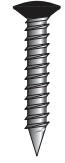
**DD**



Metal Plate

Qty. 2

**EE**



Small  
Screw

Qty. 12



## SAFETY INFORMATION

---

Please read and understand this entire manual before attempting to assemble, operate or install the product.

- Assemble the parts on a soft, non-abrasive surface, such as carpeting, to avoid scratching the finish.
- This unit can hold up to 30 lbs. per shelf. Distribute weight evenly.



## WARNING

- Do not allow children to climb this product.

## PREPARATION

---

Before beginning assembly of product, make sure all parts are present. Compare parts with package contents list and hardware contents. If any part is missing or damaged, do not attempt to assemble the product.

**Estimated Assembly Time: 45 minutes**

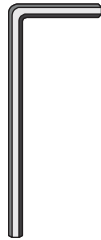
Tools Required for Assembly (not included): Phillips Screwdriver

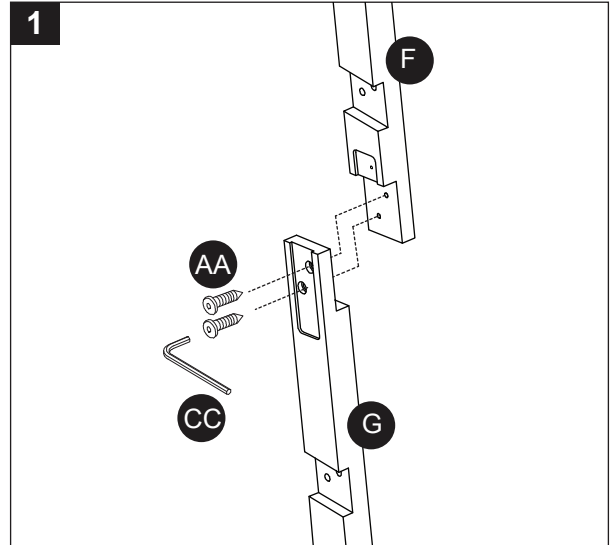
# ASSEMBLY INSTRUCTIONS

1. Attach top right post (F) to base right post (G) using 2 wood screws (AA). Do not overtighten wood screws (AA) to avoid cracking the wood. Repeat same step for left post assembly.

## Hardware Used

**AA** Wood Screw  x 4

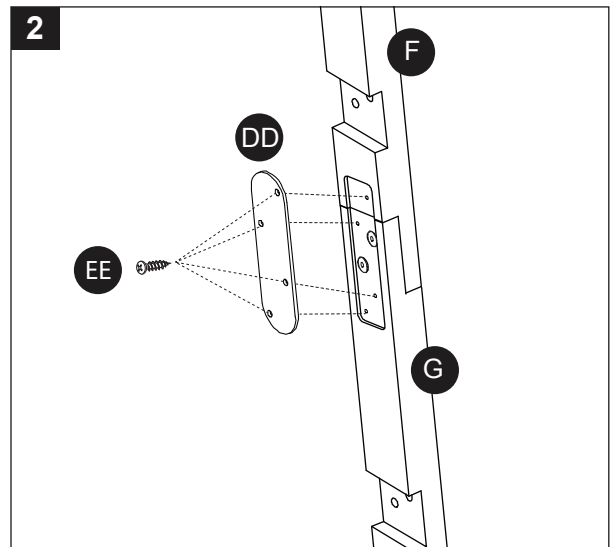
**CC** Allen Wrench  x 1



2. Attach metal plate (DD) to back of top right post (F) and base right post (G) with 4 small screws (EE). Repeat for top left post assembly.

## Hardware Used



**EE** Small Screw  x 8

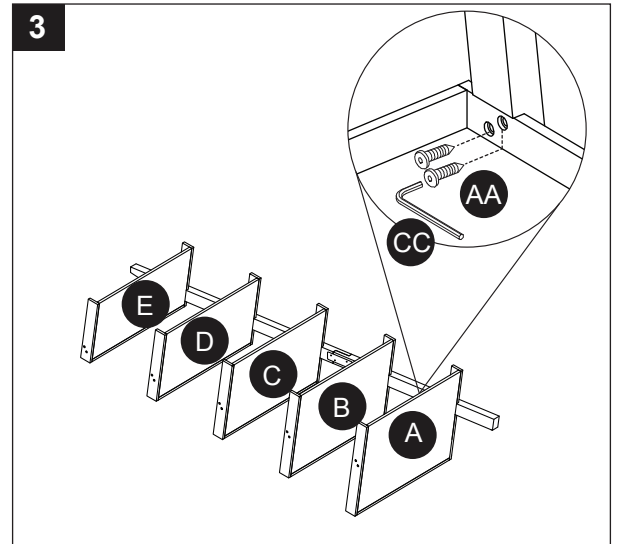


## ASSEMBLY INSTRUCTIONS

3. Attach 1st shelf (A) to right post assembly using 2 wood screws (AA). Secure with Allen wrench (CC). Repeat for remaining shelves.



### Hardware Used

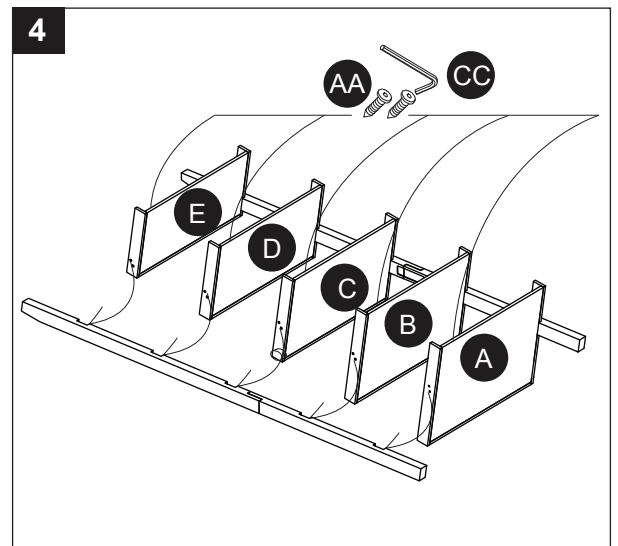
<b>AA</b> Wood Screw		x 10
<b>CC</b> Allen Wrench		x 1



4. Repeat for the the left post assembly.



### Hardware Used

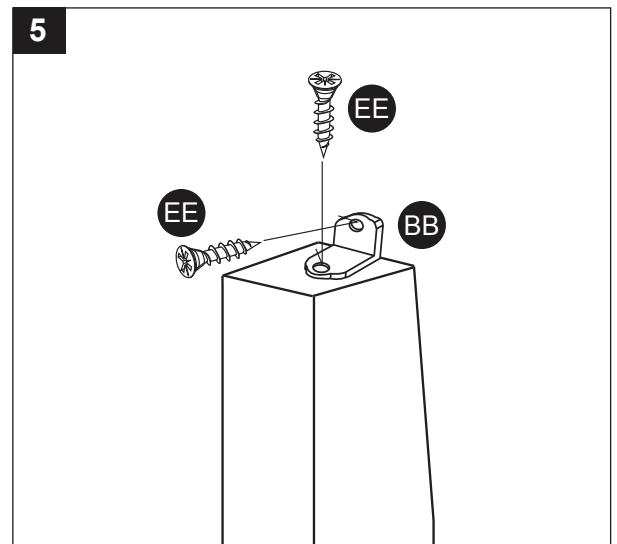
<b>AA</b> Wood Screw		x 10
<b>CC</b> Allen Wrench		x 1



5. To prevent the shelves from falling, secure the unit to a wall using 2 L-Brackets (BB) and 4 small screws (EE).

### Hardware Used

<b>EE</b> Small Screw		x 4
<b>BB</b> L-Bracket		x 2



## CARE AND MAINTENANCE

- Periodically check to make certain all components are properly positioned, free from damage and firmly connected.
- Wipe clean using a damp cloth and a mild cleaner. Wipe dry with a clean cloth.

## REPLACEMENT PARTS LIST

For replacement parts, call our customer service department at 1-866-439-9800, 8 a.m. - 8 p.m., EST, Monday - Friday.

PART	DESCRIPTION	PART #
A	1st Shelf	0358295-A
B	2nd Shelf	0358295-B
C	3rd Shelf	0358295-C
D	4th Shelf	0358295-D </td
E	5th Shelf	0358295-E
F	Top Right Post	0358295-F
G	Base Right Post	0358295-G
H	Top Left Post	0358295-H
I	Base Left Post	0358295-I
AA	Wood Screw	0358295-AA
BB	L-Bracket	0358295-BB
CC	Allen Wrench	0358295-CC
DD	Metal Plate	0358295-DD
EE	Small Screw	0358295-EE

