



allen + roth® is a registered trademark of LF, LLC. All Rights Reserved.

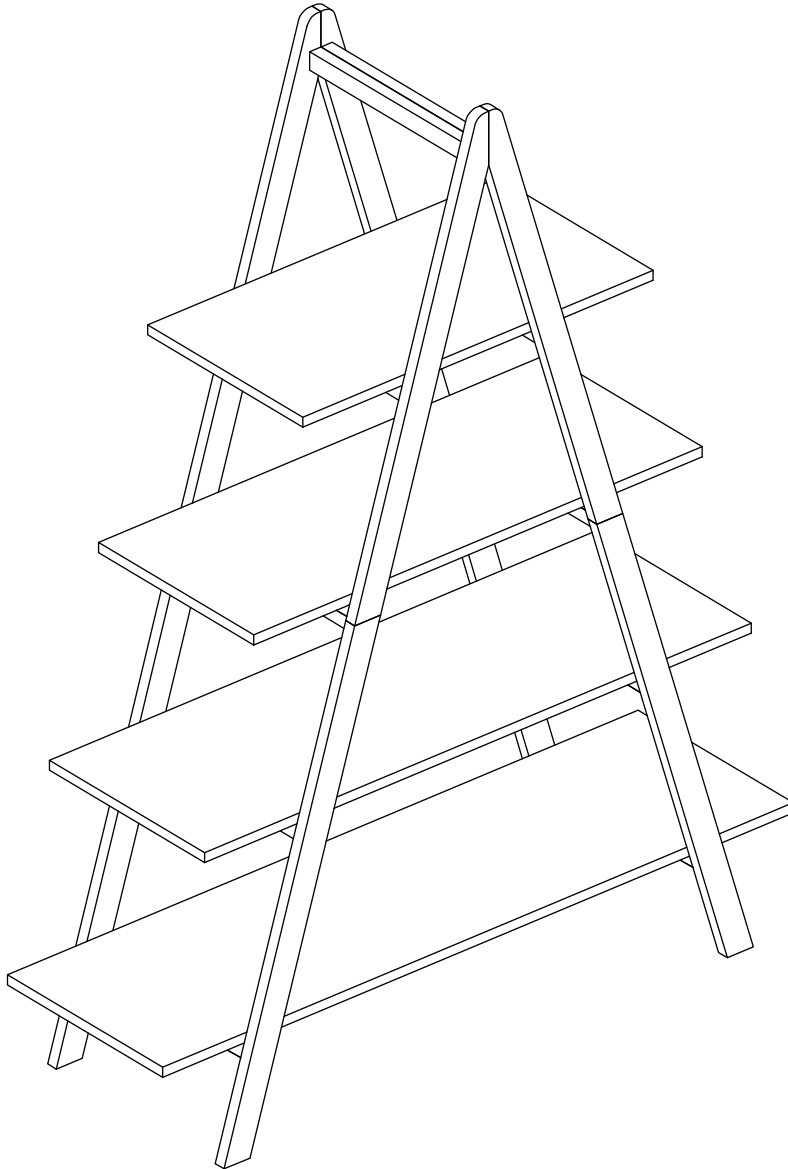
ITEM #0137763

4-TIER PYRAMID SHELF

MODEL #EFC11-SS09

French p. 7

Español p.13



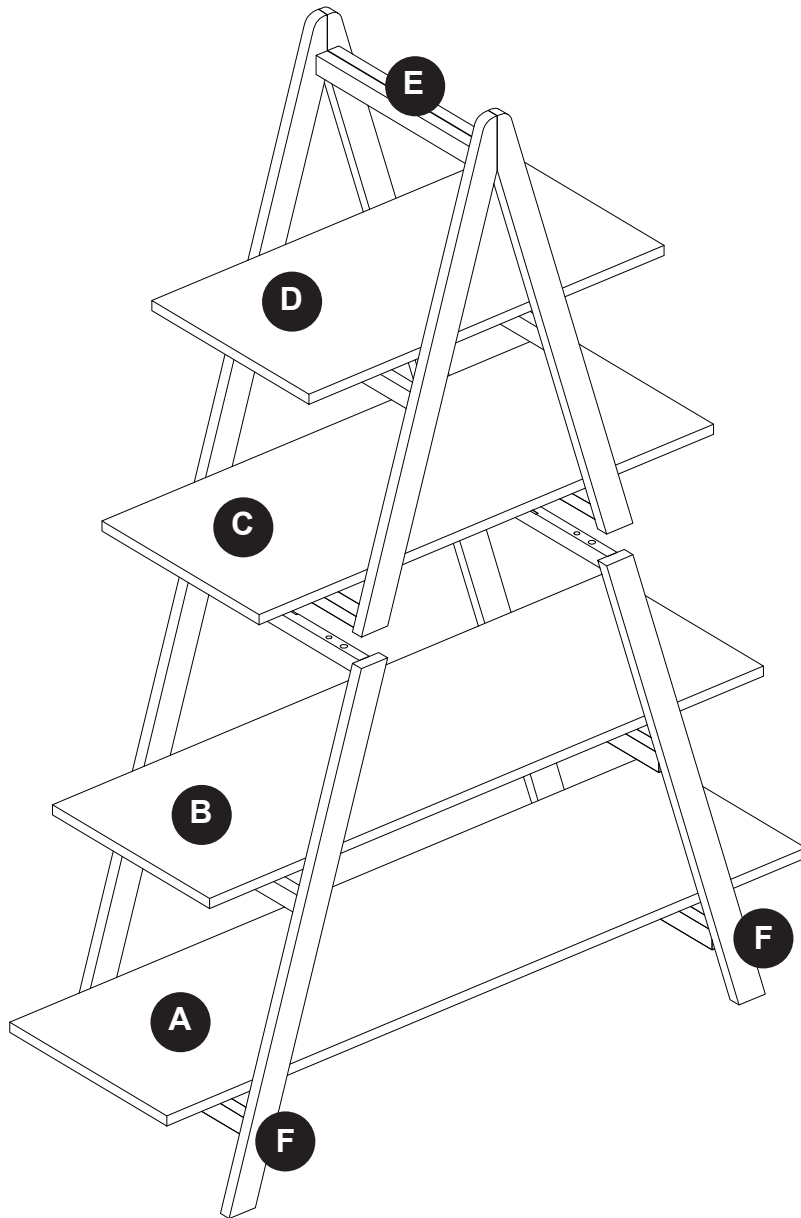
ATTACH YOUR RECEIPT HERE

Serial Number _____ **Purchase Date** _____



Questions, problems, missing parts? Before returning to your retailer, call our customer service department at 1-866-439-9800, 8 a.m. - 8 p.m., EST, Monday - Friday.

PACKAGE CONTENTS



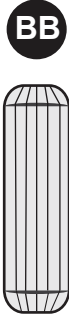
PART	DESCRIPTION	QUANTITY
A	1st Shelf	1
B	2nd Shelf	1
C	3rd Shelf	1
D	4th Shelf	1
E	Top Leg Frame	1
F	Base Leg Frame	2

HARDWARE CONTENTS (shown actual size)



Wood
Screw

Qty. 4



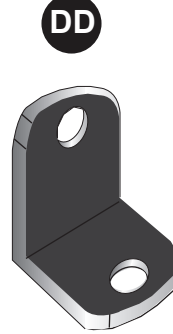
Wood
Dowel

Qty. 4



Allen
Wrench

Qty. 1



L-Bracket

Qty. 2



Small
Screw

Qty. 4



SAFETY INFORMATION

Please read and understand this entire manual before attempting to assemble, operate or install the product.

- Assemble the parts on a soft, non-abrasive surface, such as carpeting, to avoid scratching the finish.
- This unit can hold up to 50 lbs. per shelf. Distribute weight evenly.



WARNING

- Do not allow children to climb this product.

PREPARATION

Before beginning assembly of product, make sure all parts are present. Compare parts with package contents list and hardware contents. If any part is missing or damaged, do not attempt to assemble the product.




Estimated Assembly Time: 20 minutes

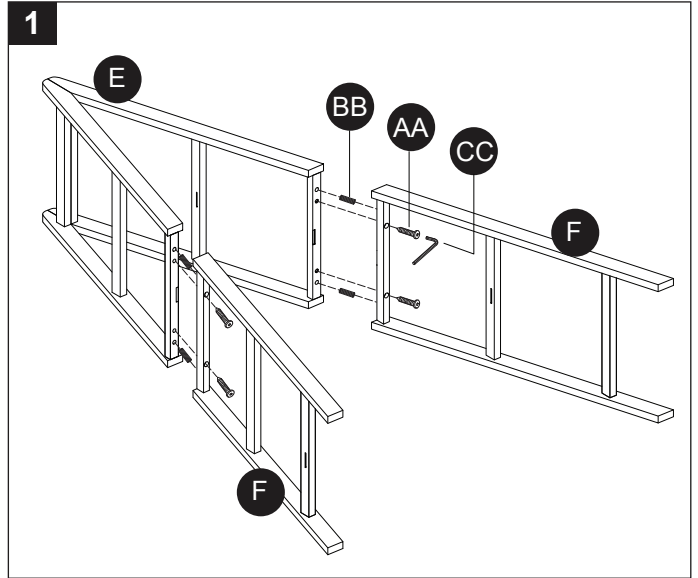
Tools Required for Assembly (included): Allen Wrench

ASSEMBLY INSTRUCTIONS

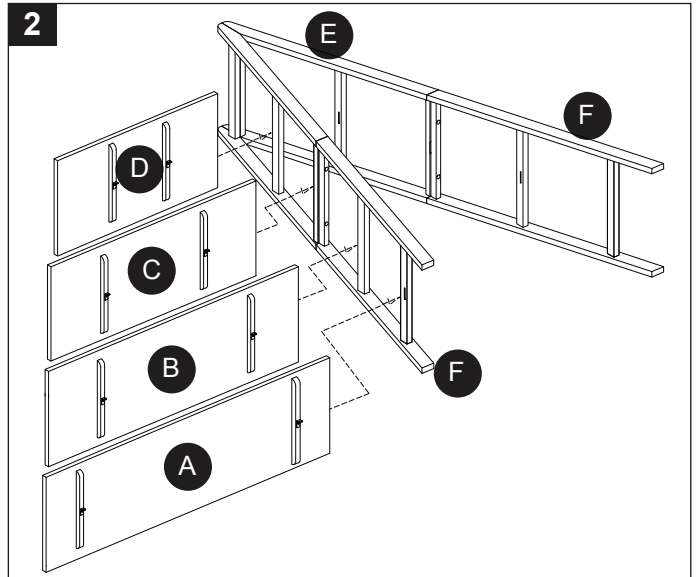
1. Attach top leg frame (E) to base leg frames (F) using four wood dowels (BB) and four wood screws (AA). Tighten with Allen wrench (CC). Do not overtighten wood screws (AA) to avoid cracking the wood.

Hardware Used

AA Wood Screw		x 4
BB Wood Dowel		x 4
CC Allen Wrench		x 1




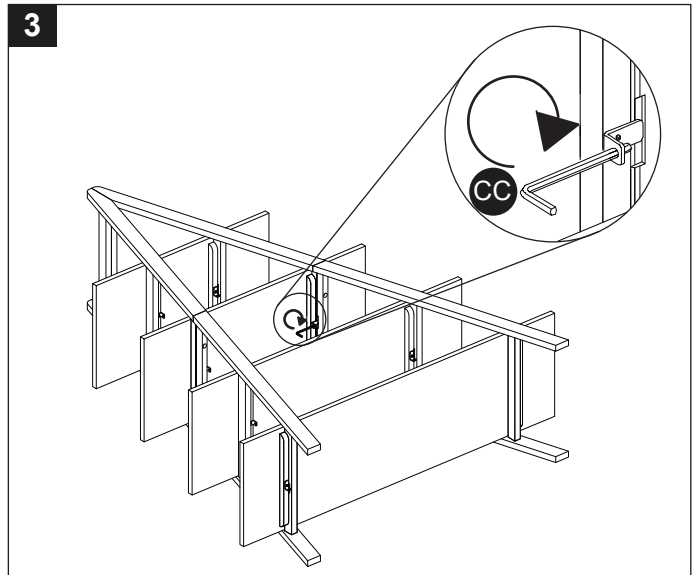
2. Insert 1st shelf (A), 2nd shelf (B), 3rd shelf (C) and 4th shelf (D) into the leg frame assembly.



3. Secure by turn L bracket (preassembled) with allen wrench (CC).

Hardware Used

CC Allen Wrench		x 1
------------------------	---	-----

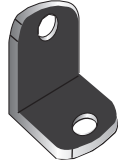


ASSEMBLY INSTRUCTIONS

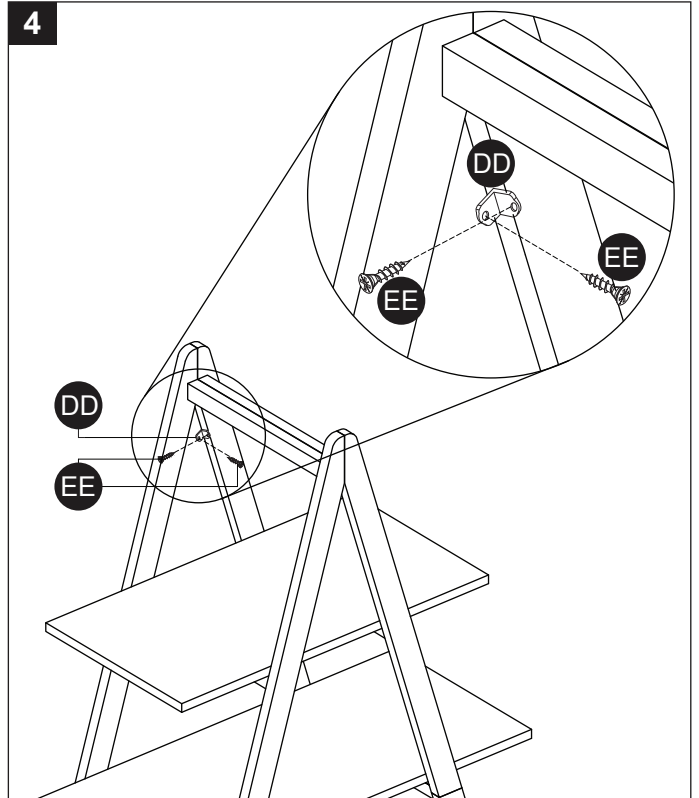
4. To prevent the shelves from falling, secure the unit to a wall using 2 L-Brackets (DD) and 4 small screws (EE).

Hardware Used

DD L-Bracket x 2



EE Small Screw x 4



CARE AND MAINTENANCE

- Periodically check to make certain all components are properly positioned, free from damage and firmly connected.
- Wipe clean using a damp cloth and a mild cleaner. Wipe dry with a clean cloth.

REPLACEMENT PARTS LIST

For replacement parts, call our customer service department at 1-866-439-9800, 8 a.m. - 8 p.m., EST, Monday - Friday.

PART	DESCRIPTION	PART #
A	1st Shelf	0137763-A
B	2nd Shelf	0137763-B
C	3rd Shelf	0137763-C
D	4th Shelf	0137763-D </td
E	Top Leg Frame	0137763-E
F	Base Leg Frame	0137763-F
AA	Wood Screw	0137763-AA
BB	Wood Dowel	0137763-BB
CC	Allen Wrench	0137763-CC
DD	L-Bracket	0137763-DD
EE	Small Screw	0137763-EE

