



allen + roth® is a registered trademark of LF, LLC. All Rights Reserved.

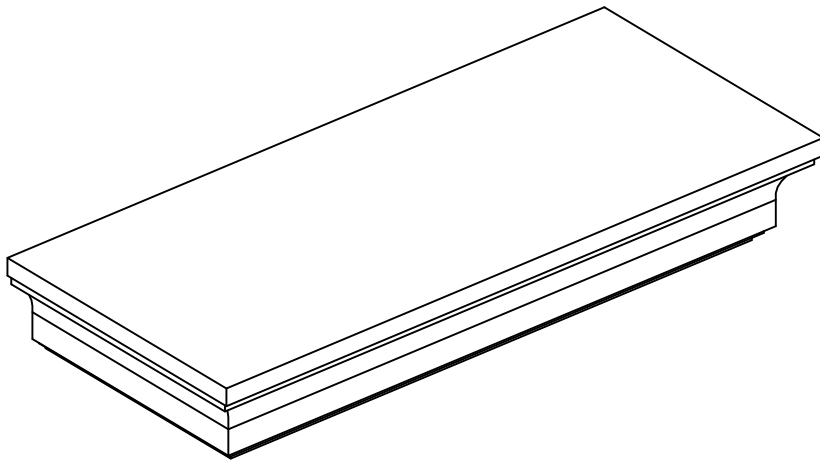
ITEM #0002974

WALL SHELF

MODEL #EFC-FS04-18

French p. 6

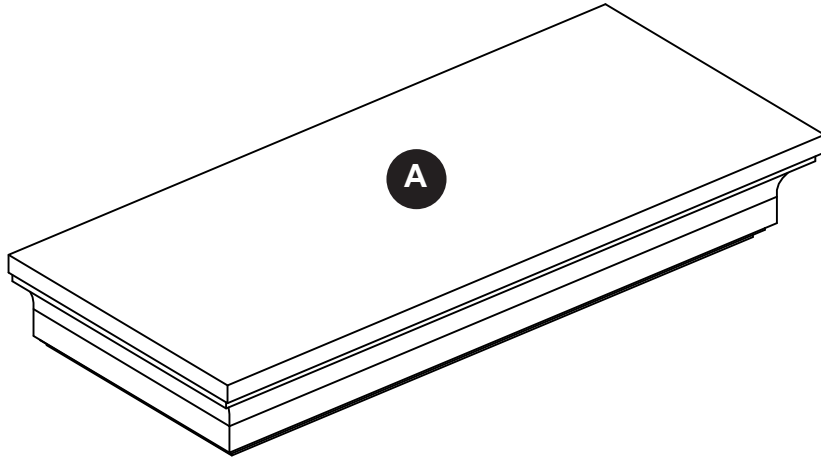
Español p.11



ATTACH YOUR RECEIPT HERE

Serial Number _____ **Purchase Date** _____

PACKAGE CONTENTS



PART	DESCRIPTION	QUANTITY
A	Shelf	1

HARDWARE CONTENTS (shown actual size)

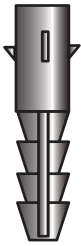
AA



Pinhead
Screw

Qty. 6

BB



Wall
Anchor

Qty. 6

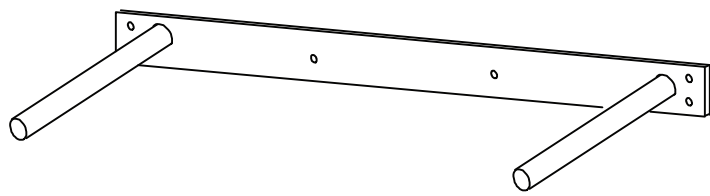
CC



Long
Screw

Qty. 2

DD



Bracket

Qty. 1

SAFETY INFORMATION

Please read and understand this entire manual before attempting to assemble, operate or install the product.

- Assemble the parts on a soft, non-abrasive surface, such as carpeting, to avoid scratching the finish.
- This unit can hold up to 15 lbs. per shelf. Distribute weight evenly.

PREPARATION

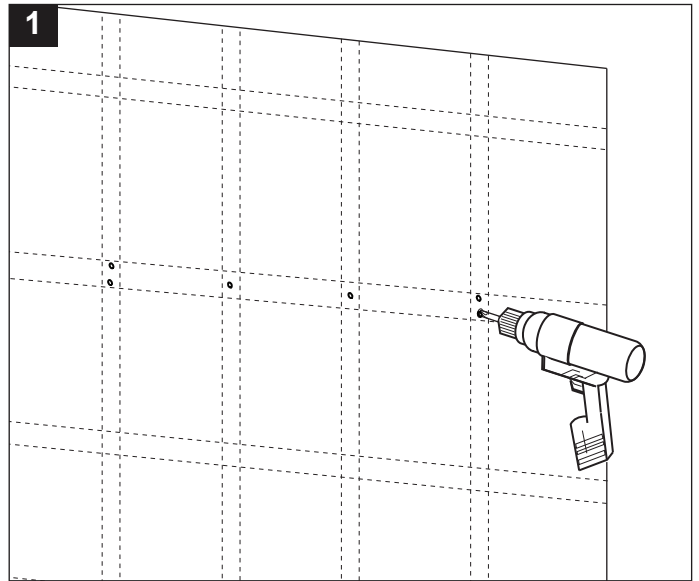
Before beginning assembly of product, make sure all parts are present. Compare parts with package contents list and hardware contents. If any part is missing or damaged, do not attempt to assemble the product.

Estimated Assembly Time: 20 minutes

Tools Required for Assembly (not included): Phillips Screwdriver, 1/4 in. Masonry Drill Bit, Marking Pencil, Level, Hammer, Drill

ASSEMBLY INSTRUCTIONS

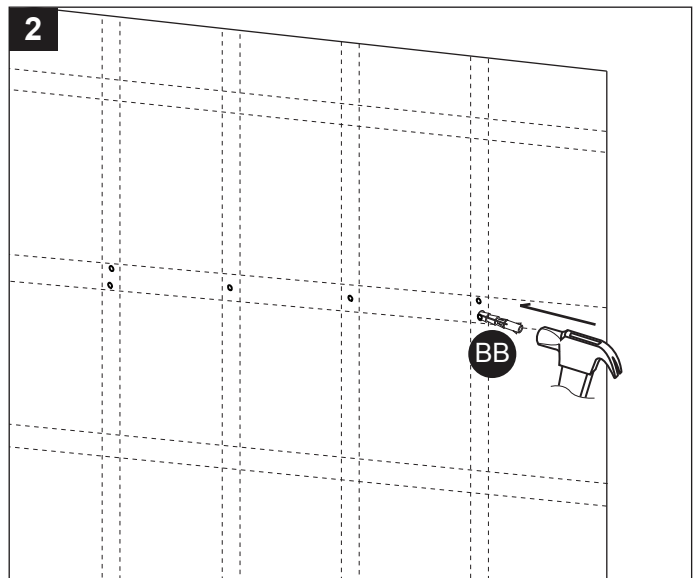
1. Hold the bracket (DD) against the wall at the desired height. Mark the hole positions with a marking pencil (not included). Make sure the holes are level. Using a 1/4 in. masonry bit (not included), drill three holes into the pre-marked keyhole positions.



2. Insert the wall anchors (BB).

Hardware Used

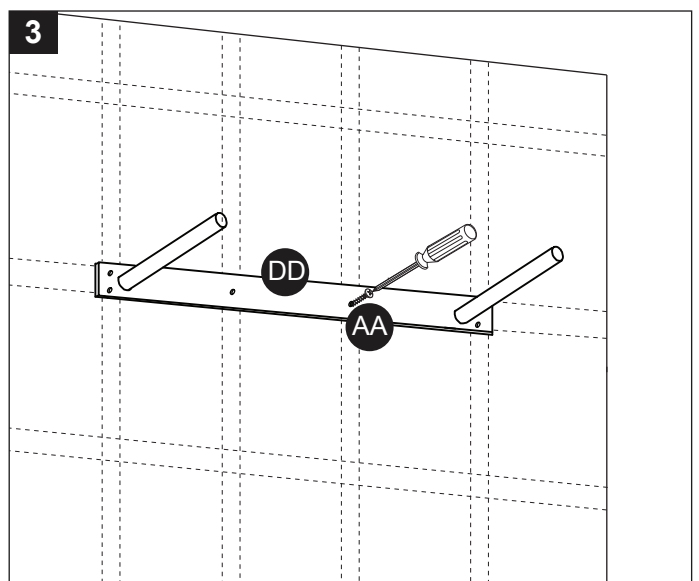
BB Wall Anchor  x 6



3. Install bracket (DD) by securing the pinhead screws (AA) into the anchors (BB) through the bracket (DD).

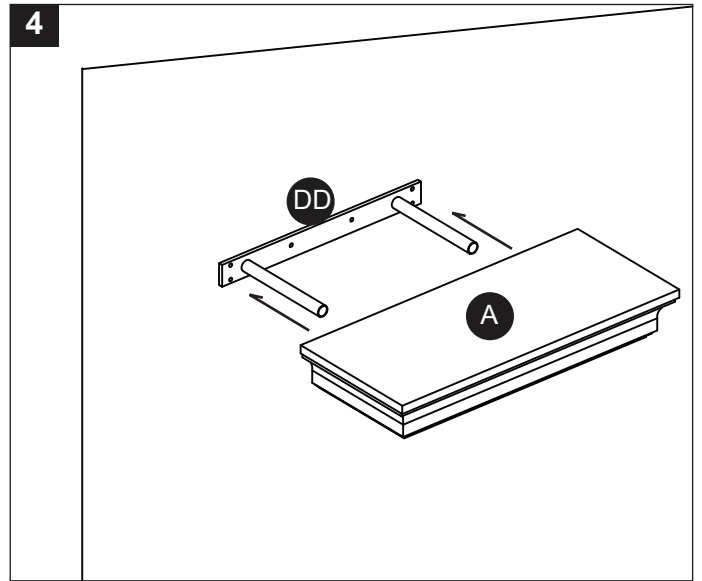
Hardware Used

AA Pinhead Screw  x 6



ASSEMBLY INSTRUCTIONS

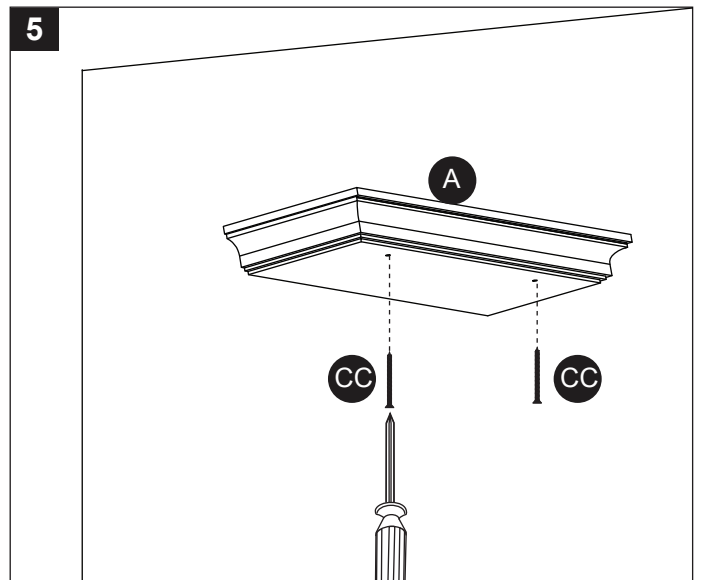
4. Hang the shelf (A) onto the bracket (DD).



5. Secure the shelf (A) with the long screws (CC).

Hardware Used

CC Long Screw  x 2



CARE AND MAINTENANCE

- Periodically check to make certain all components are properly positioned, free from damage and firmly connected.
- Wipe clean using a damp cloth and a mild cleaner. Wipe dry with a clean cloth.