



allen + roth® is a registered trademark of LF, LLC. All Rights Reserved.

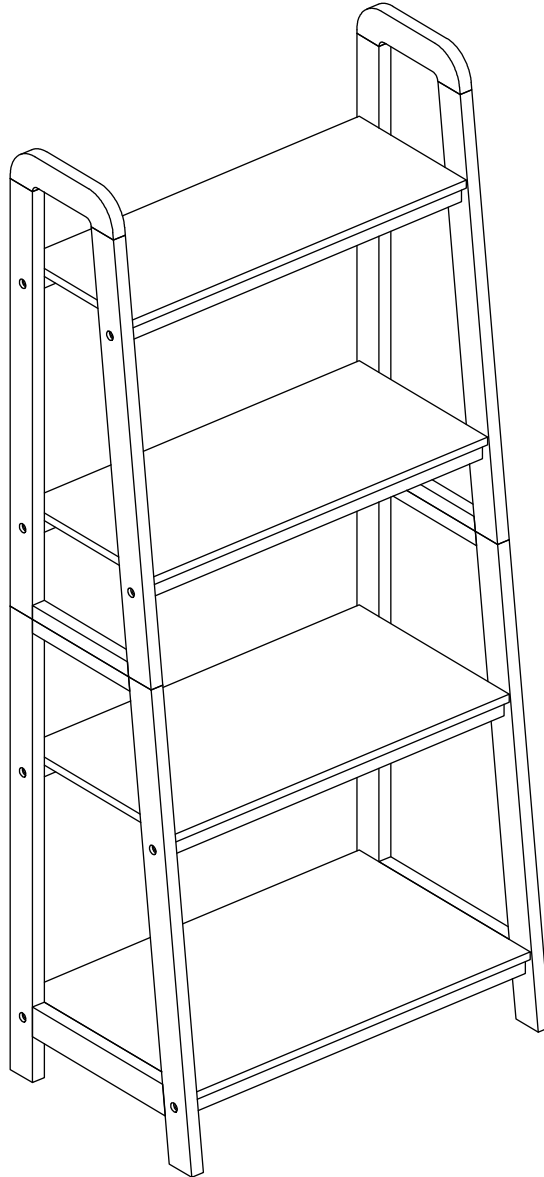
ITEM #0444957

4-TIER BOOKSHELF

MODEL #EFC11-SS08-V2

French p. 7

Español p.13



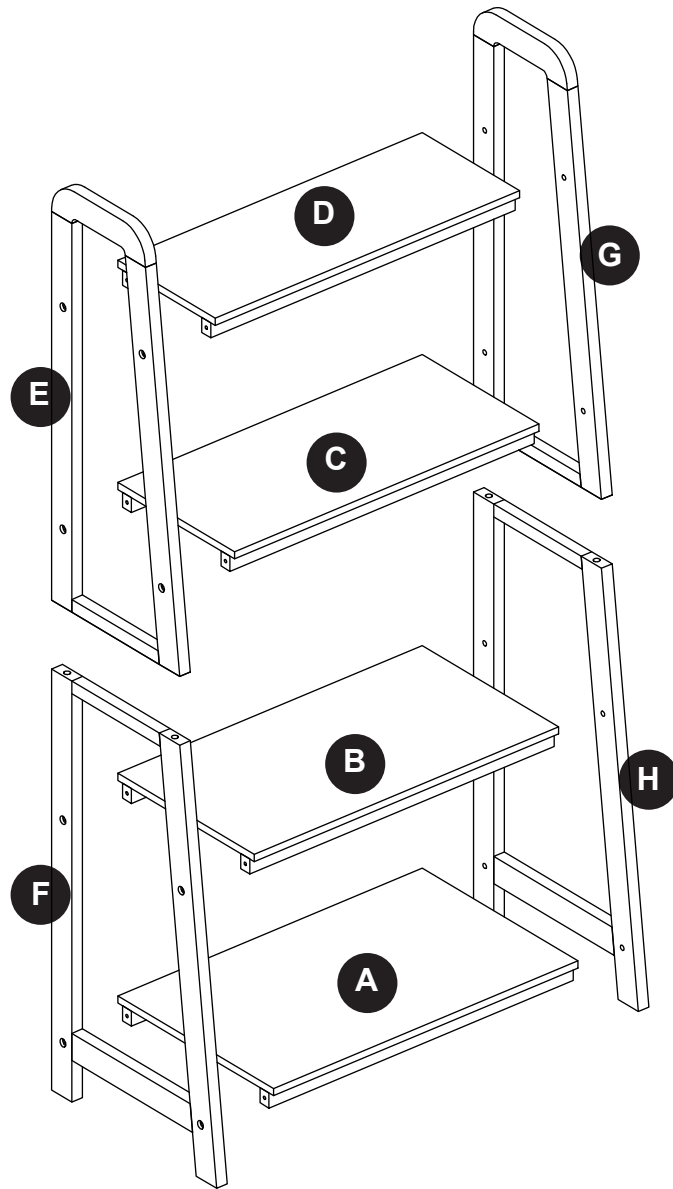
ATTACH YOUR RECEIPT HERE

Serial Number _____ **Purchase Date** _____



Questions, problems, missing parts? Before returning to your retailer, call our customer service department at 1-866-439-9800, 8 a.m. - 8 p.m., EST, Monday - Friday.

PACKAGE CONTENTS



PART	DESCRIPTION	QUANTITY
A	1st Shelf	1
B	2nd Shelf	1
C	3rd Shelf	1
D	4th Shelf	1

PART	DESCRIPTION	QUANTITY
E	Top Left Frame	1
F	Base Left Frame	1
G	Top Right Frame	1
H	Base Right Frame	1

HARDWARE CONTENTS (shown actual size)



Wood
Screw

Qty. 20



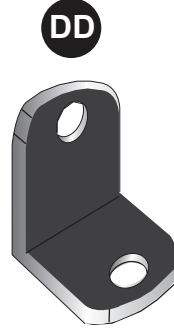
Wood
Dowel

Qty. 4



Allen
Wrench

Qty. 1



L-Bracket

Qty. 2



Small
Screw

Qty. 4



SAFETY INFORMATION

Please read and understand this entire manual before attempting to assemble, operate or install the product.

- Assemble the parts on a soft, non-abrasive surface, such as carpeting, to avoid scratching the finish.
- This unit can hold up to 50 lbs. per shelf. Distribute weight evenly.



WARNING

- Do not allow children to climb this product.

PREPARATION

Before beginning assembly of product, make sure all parts are present. Compare parts with package contents list and hardware contents. If any part is missing or damaged, do not attempt to assemble the product.




Estimated Assembly Time: 45 minutes

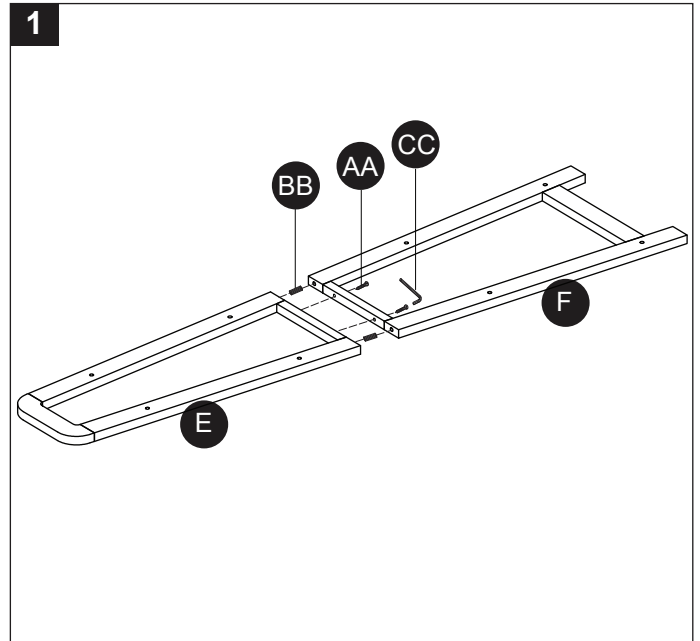
Tools Required for Assembly (included): Allen Wrench

ASSEMBLY INSTRUCTIONS

1. Attach top left frame (E) to base left frame (F) using two wood dowels (BB) and 2 wood screws (AA). Tighten with Allen wrench (CC). Do not overtighten wood screws (AA) to avoid cracking the wood. Repeat same step for top right frame (G) and base right frame (H).



Hardware Used

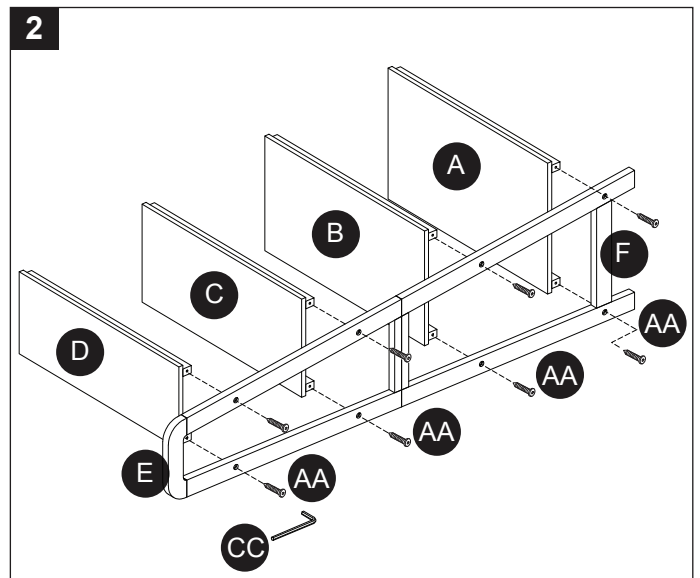
AA	Wood Screw		x 4
BB	Wood Dowel		x 4
CC	Allen Wrench		x 1



2. Attach 1st shelf (A) to left frame assembly using two wood screws (AA). Secure with Allen wrench (CC). Repeat for 2nd shelf (B), 3rd shelf (C) and 4th shelf (D).



Hardware Used

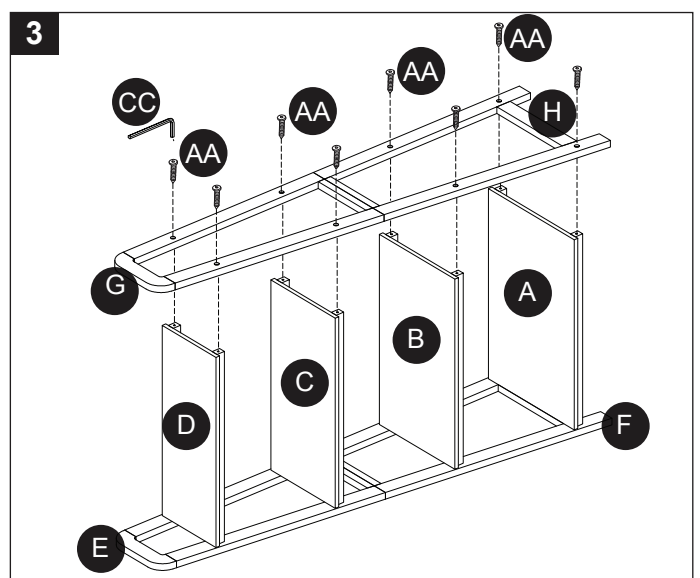
AA	Wood Screw		x 8
CC	Allen Wrench		x 1



3. Repeat step 2 for the right frame assembly.

Hardware Used

AA	Wood Screw		x 8
CC	Allen Wrench		x 1

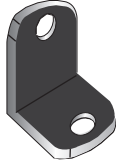


ASSEMBLY INSTRUCTIONS

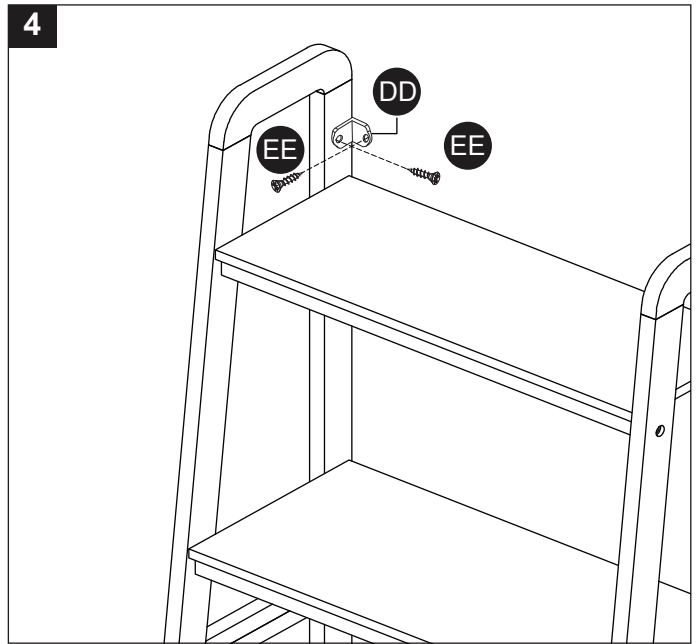
4. To prevent the shelves from falling, secure the unit to a wall using two L-Brackets (DD) and four small screws (EE).

Hardware Used

DD Wood Screw x 2



EE Wood Dowel x 4



CARE AND MAINTENANCE

- Periodically check to make certain all components are properly positioned, free from damage and firmly connected.
- Wipe clean using a damp cloth and a mild cleaner. Wipe dry with a clean cloth.

REPLACEMENT PARTS LIST

For replacement parts, call our customer service department at 1-866-439-9800, 8 a.m. - 8 p.m., EST, Monday - Friday.

PART	DESCRIPTION	PART #
A	1st Shelf	0444957-A
B	2nd Shelf	0444957-B
C	3rd Shelf	0444957-C
D	4th Shelf	0444957-D
E	Top Left Frame	0444957-E
F	Base Left Frame	0444957-F
G	Top Right Frame	0444957-G
H	Base Right Frame	0444957-H
AA	Wood Screw	0444957-AA
BB	Wood Dowel	0444957-BB
CC	Allen Wrench	0444957-CC
DD	L-Bracket	0444957-DD
EE	Small Screw	0444957-EE

