



allen + roth® is a registered trademark of LF, LLC. All Rights Reserved.

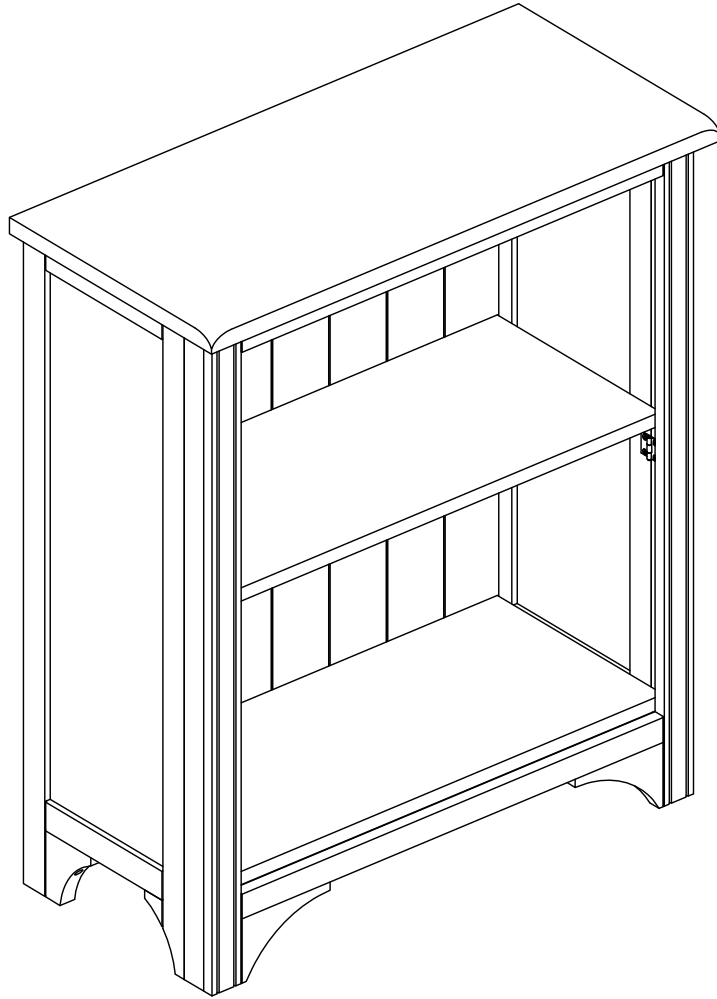
ITEM #0441166

2TIER FOLDING LOREN SHELF

MODEL #EFC-BS13-003

French p. XX

Español p. XX



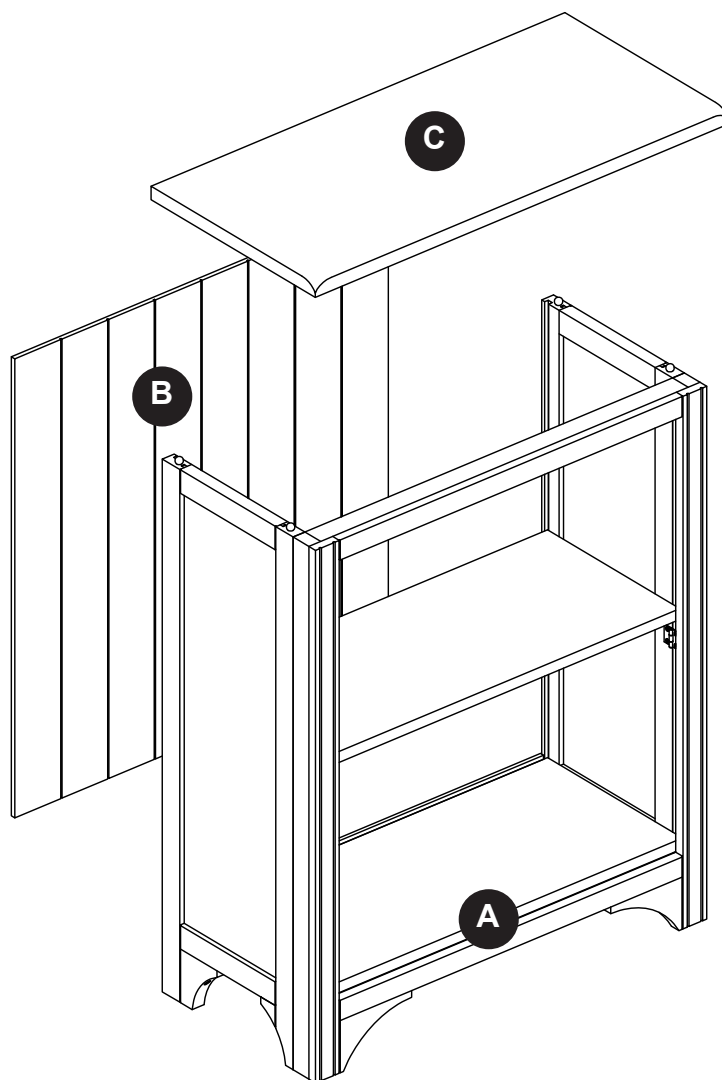
ATTACH YOUR RECEIPT HERE

Serial Number _____ **Purchase Date** _____



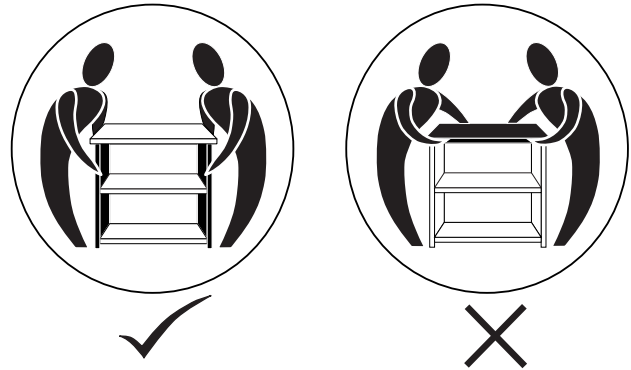
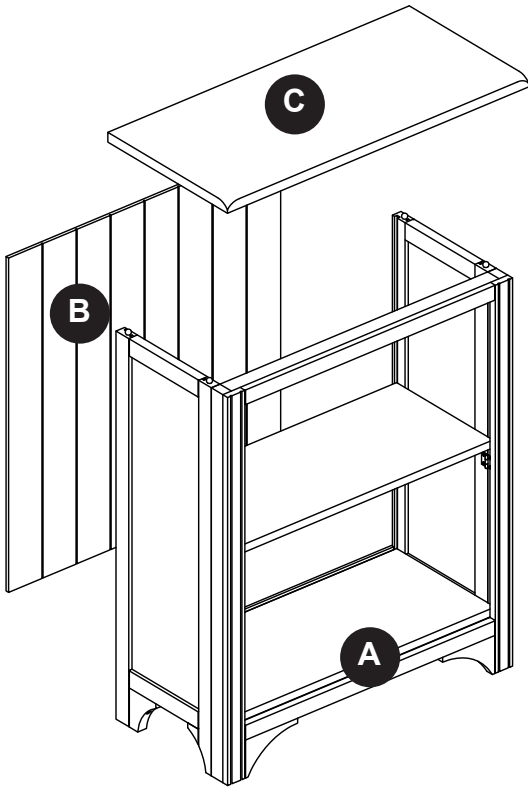
Questions, problems, missing parts? Before returning to your retailer, call our customer service department at 1-866-439-9800, 8 a.m. - 8 p.m., EST, Monday - Friday.

PACKAGE CONTENTS

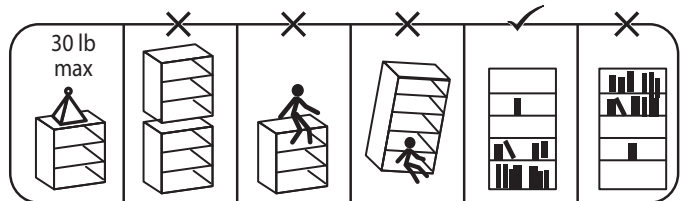


PART	DESCRIPTION	QUANTITY
A	Shelf Frame	1
B	Back Panel	1
C	Top	1

PACKAGE CONTENTS



PART	DESCRIPTION	QUANTITY
A	Shelf Frame	1
B	Top	1
C	Back Panel	1



SAFETY INFORMATION

Please read and understand this entire manual before attempting to assemble, operate or install the product.

- Assemble the parts on a soft, non-abrasive surface, such as carpeting, to avoid scratching the finish.
- This unit can hold up to 30 lbs. per shelf. Distribute weight evenly.



WARNING

- Do not allow children to climb this product.

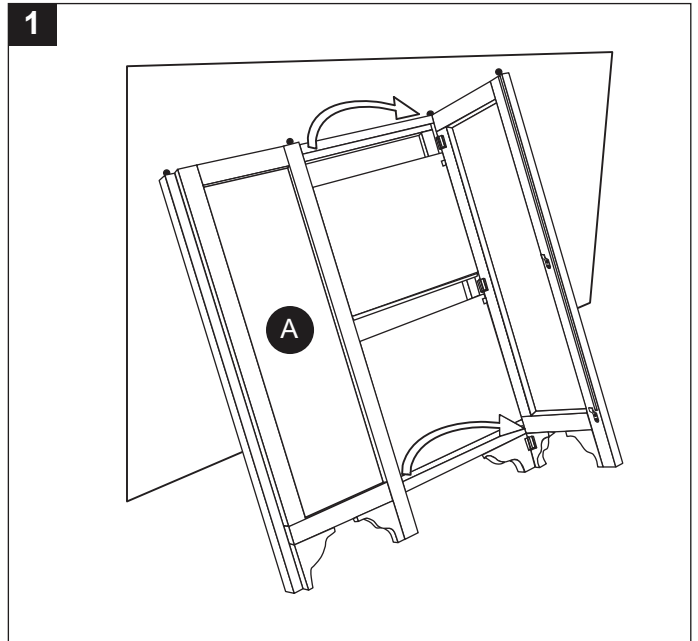
PREPARATION

Before beginning assembly of product, make sure all parts are present. Compare parts with package contents list and hardware contents. If any part is missing or damaged, do not attempt to assemble the product.

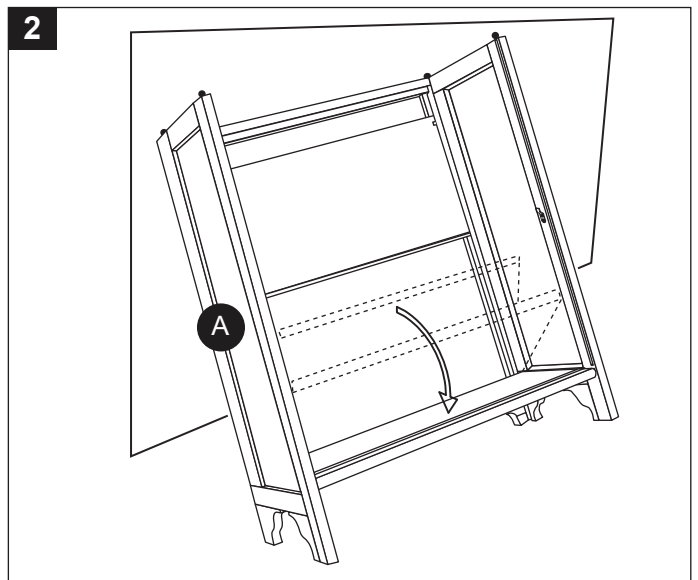
Estimated Assembly Time: 15 minutes

ASSEMBLY INSTRUCTIONS

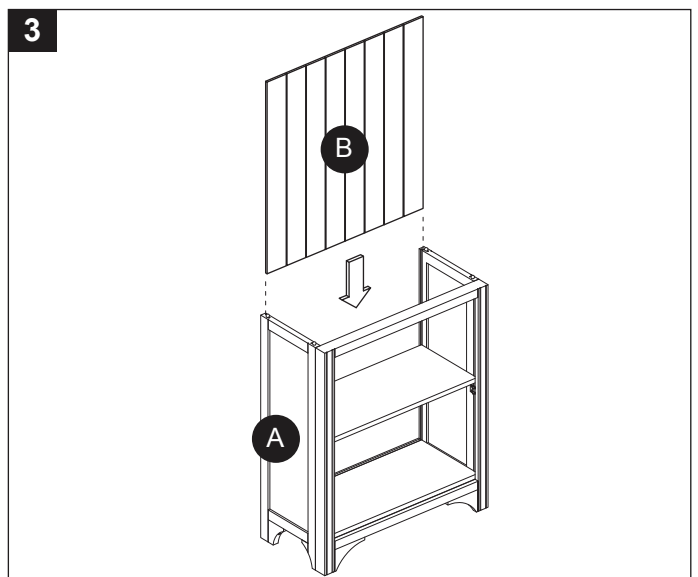
1. Rest the shelf frame(A) at a 75 degree angle against the wall, use a blanket or soft towel to protect the wood from the wall. Fold out the side panels.



2. Pull down the shelf onto shelf support. It is important to start from the bottom shelf.

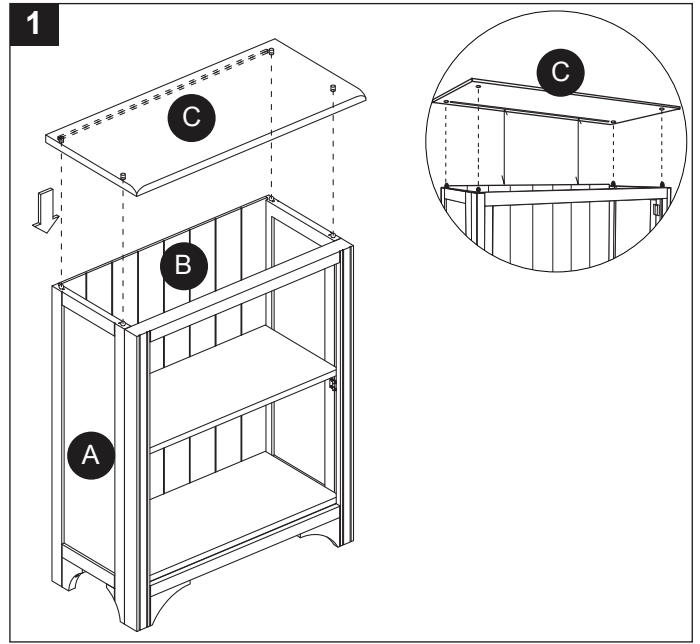


3. Set the shelf in an upright position. Insert back panel (B). Make sure the panel slides in cleanly and sets in a proper position.



ASSEMBLY INSTRUCTIONS

1. Attach top (C) onto the shelf. Make sure the top (C) is placed in the correct position.



CARE AND MAINTENANCE

- Periodically check to make certain all components are properly positioned, free from damage and firmly connected.
- Wipe clean using a damp cloth and a mild cleaner. Wipe dry with a clean cloth.

REPLACEMENT PARTS LIST

For replacement parts, call our customer service department at 1-866-439-9800, 8 a.m. - 8 p.m., EST, Monday - Friday.

PART	DESCRIPTION	PART #
A	Shelf Frame	0444957-A
B	Back Panel	0444957-B
C	Top	0444957-C

