

**UP161F UPRIGHT CYCLE (FOOTING)
UP161I UPRIGHT CYCLE (IN GROUND)
UP161S UPRIGHT CYCLE (SURFACE)**

Parts List				
DESCRIPTION	UP161F (FOOTING)	UP161I (IN GROUND)	UP161S (SURFACE)	PART NUMBER
UPRIGHT CYCLE	1	1	1	206525
BASE COVER	1	1	1	206699
FOOTBUCK WELD ASS'Y	0	1	0	206467
HARDWARE COMPLETE	0	0	1	206517
HARDWARE COMPLETE	1	0	0	206518
HARDWARE COMPLETE	0	1	0	206519
3/4" x 2" HEX HEAD CAP SCREW	0	4	0	801533*
1/2" ANCHOR ROD	0	2	0	135038*
3/4" WEDGE ANCHOR	0	0	4	206358*
3/4" ANCHOR BOLT	4	0	0	800001*
3/4" LOCKWASHER	4	4	4	817354*
3/4" FLATWASHER (2" O.D.)	8	4	0	817420*
3/4" HEX NUT	8	4	0	804058*

Unless Otherwise Specified, All Units of Measure are Each

**Items listed below Hardware Complete line are included with Hardware Complete Number*

Warning: During Installation, Hardware And Small Parts Are Choking Hazards For Young Children. Store Unused Parts Appropriately Until Assembly Is Completed. Once Assembly Is Completed, Remove Any Unused Parts From The Play Environment And Dispose/Save Them In A Secure Location. Any bolt end protruding more than two full threads beyond the face of the nut causes risk of clothing entanglement.

Promptly cut-off flush, file smooth, and treat to prevent corrosion.

Note: Peen Tee-Nuts and Flatwashers to match radius of pipe after assembly is complete.

Note: Loctite (supplied by others) should be used on any non-patch hardware.

UP161F UPRIGHT CYCLE (FOOTING) UP161I UPRIGHT CYCLE (IN GROUND) UP161S UPRIGHT CYCLE (SURFACE)

SPECIFICATIONS:

BACKREST: The Backrest shall be constructed from injection molded Nylon W6.

BASE COVER: The Base Cover shall be constructed from aluminum and powder coated.

BOLT CAP: The Bolt Cap shall be constructed from aluminum and powder coated.

CRANK ARM: The Crank Arm shall be constructed from aluminum and chromium coated.

CYCLE COVER: The Cycle Cover shall be constructed from aluminum and powder coated.

HANDLE GRIP: The Handle Grip shall be constructed from injection molded PVC.

MAIN PIPE: The main frame shall be an all welded assembly fabricated from SPP (carbon steel pipe) and dual phase steel plate. The frame shall be powder coated.

PEDAL: The Saddle shall be constructed from aluminum and Electro-deposition coated.

POST CAP: The Post Cap shall be constructed from injection molded Polyethylene.

SADDLE: The Saddle shall be constructed from injection molded Nylon W6.

HARDWARE: All nuts, bolts, screws, and lock washers used in the assembly shall be stainless steel, yellow dichromate plated steel, blue-coat plated steel, mechanically galvanized or powder coated/yellow dichromate plated steel. All primary fasteners shall be 304 alloy stainless steel. Fasteners with yellow dichromate treatment have an electro-deposited, 99.9% pure zinc substrate applied from a specially formulated solution sealed with a yellow dichromate top coat designed to work in conjunction with the zinc plating.

NOTE: Do not overtighten bolts. To overtighten may cause buckling or dimpling of some parts.

NOTE: Read installation instructions thoroughly before starting assembly. Pour concrete only after final assembly is completed. Bracing material is required during assembly.

NOTE: Assembly and leveling times will be greatly reduced if a transit is used to set location and depth of ground holes.

INSTALLATION INSTRUCTIONS FOR UP161F (FOOTING)

1. Dig holes or drill holes according to Plan View and Elevation View. **NOTE:** Due to extremes in weather and soil conditions, hole size may have to be increased to meet local conditions.
2. Fill hole with concrete. While the concrete is still soft, yet firm enough to support the Upright Cycle, Place (4) Anchor Bolts of the Upright Cycle in position. See Footing Detail. **NOTE:** Use Upright Cycle as a template for Anchor Bolt location, then remove Upright Cycle.

IMPORTANT: DO NOT MOUNT THE UPRIGHT CYCLE TO THE ANCHOR BOLTS FOR AT LEAST 7 DAYS.

3. After concrete has cured and set for a minimum of 7 Days, attach Upright Cycle to 3/4" Anchor Bolt using 3/4" Flat Washer (2" O.D.), 3/4" Lock Washer, and 3/4" Hex Nut. See Footing Assembly Detail.
4. Attach Base Cover to Equipment Post using Base Cover Nut and Base Cover Bolt included with Base Cover. See Base Cover Detail.

UP161F UPRIGHT CYCLE (FOOTING) UP161I UPRIGHT CYCLE (IN GROUND) UP161S UPRIGHT CYCLE (SURFACE)

INSTALLATION INSTRUCTIONS FOR UP161I (IN GROUND)

1. Dig holes or drill holes according to Plan View and Elevation View. **NOTE:** Due to extremes in weather and soil conditions, hole size may have to be increased to meet local conditions.
2. Attach the Footbuck Weld Assembly to the Upright Cycle using 3/4" Hex Nut, 3/4" Lockwasher, 3/4" Flatwasher (2" O.D.), 3/4" x 2" Hex Head Cap Screw. See In-Ground Assembly Detail.
3. Place Upright Cycle into hole making sure it rests on the brick. See In-Ground Detail.
4. Level Upright Cycle using sway bracing.
5. Pour concrete according to the Plan View and Elevation View. Allow concrete to cure for a minimum of 7 days.
6. Attach Base Cover to Equipment Post using Base Cover Nut and Base Cover Bolt included with Base Cover. See Base Cover Detail.

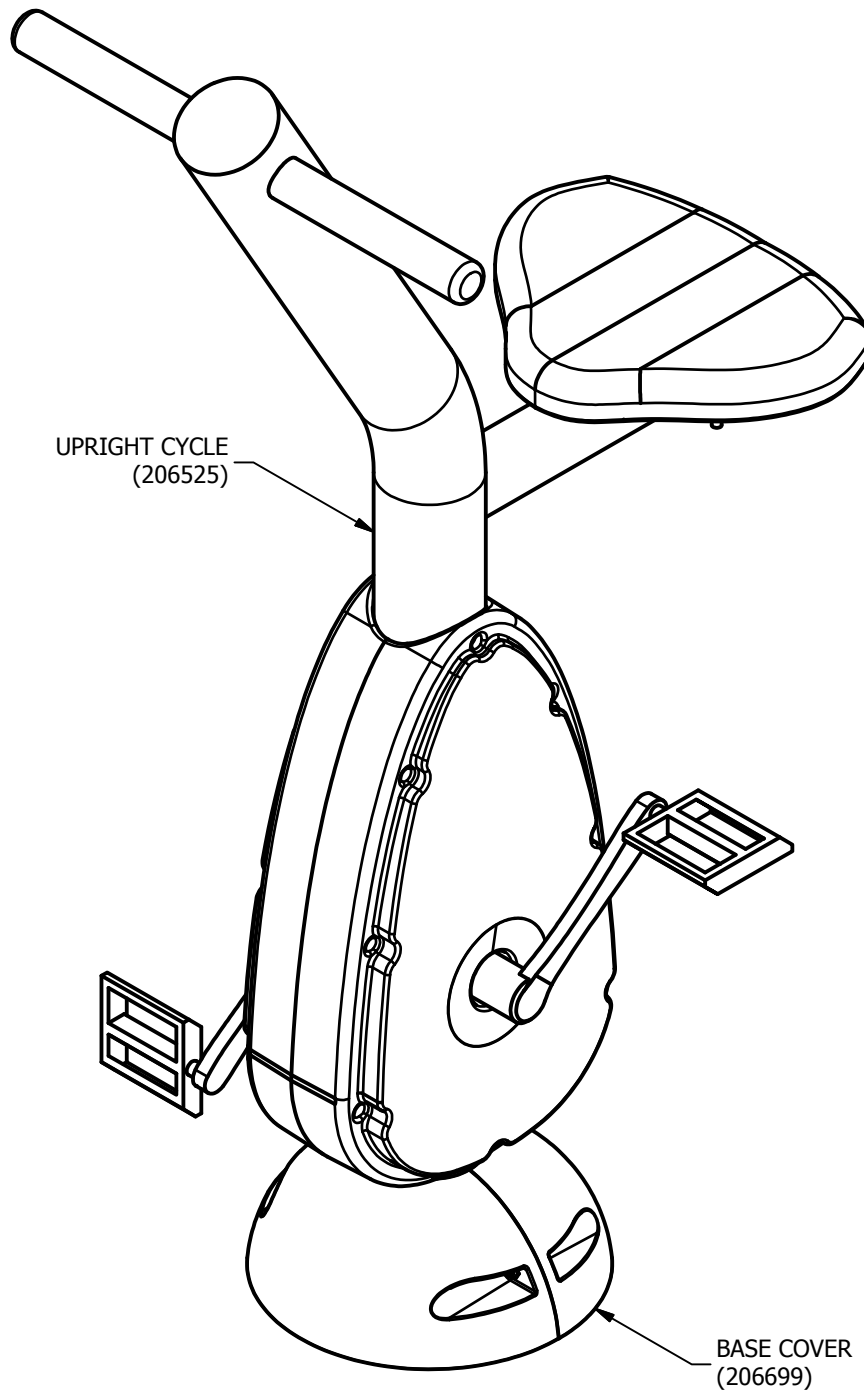
INSTALLATION INSTRUCTIONS FOR UP161S (SURFACE)

1. Mark correct location of holes for Wedge Anchor using the Base Plate as a guide.
2. Drill 3/4" x 2 1/2" hole in concrete for Wedge Anchor. See Surface Detail.
3. Insert Wedge Anchors and secure with 3/4" Flatwasher (2" O.D.), 3/4" Lockwasher, and 3/4" Hex Nut. See Surface Assembly Detail.
4. Attach Base Cover to Equipment Post using Base Cover Nut and Base Cover Bolt included with Base Cover. See Base Cover Detail.

MAINTENANCE PROCEDURE:

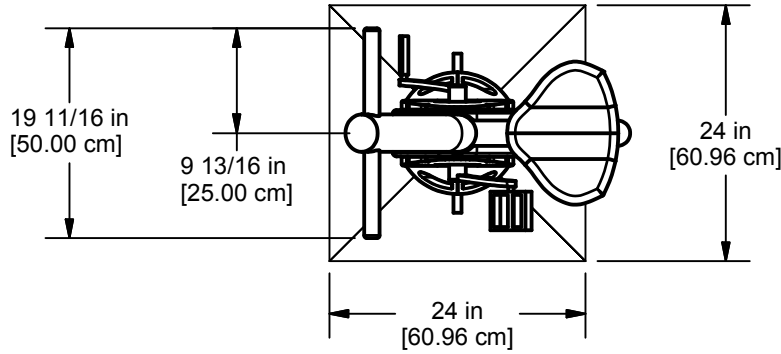
Periodically check hardware for tightness, and tighten as necessary. Always check all parts for breakage or wear, and immediately put equipment out of service until any faulty parts found are repaired or replaced. Also Check all metal parts for rust, paint loss and touch-up if necessary with paint. Check for welded areas and verify integrity. Check periodically resilient surfacing for appropriate depth and remove extraneous materials that could cause injury, infection, or disease. Maintain detailed installation, inspection, maintenance, and repair records for each public-use playground equipment.

UP161F UPRIGHT CYCLE (FOOTING)
UP161I UPRIGHT CYCLE (IN GROUND)
UP161S UPRIGHT CYCLE (SURFACE)



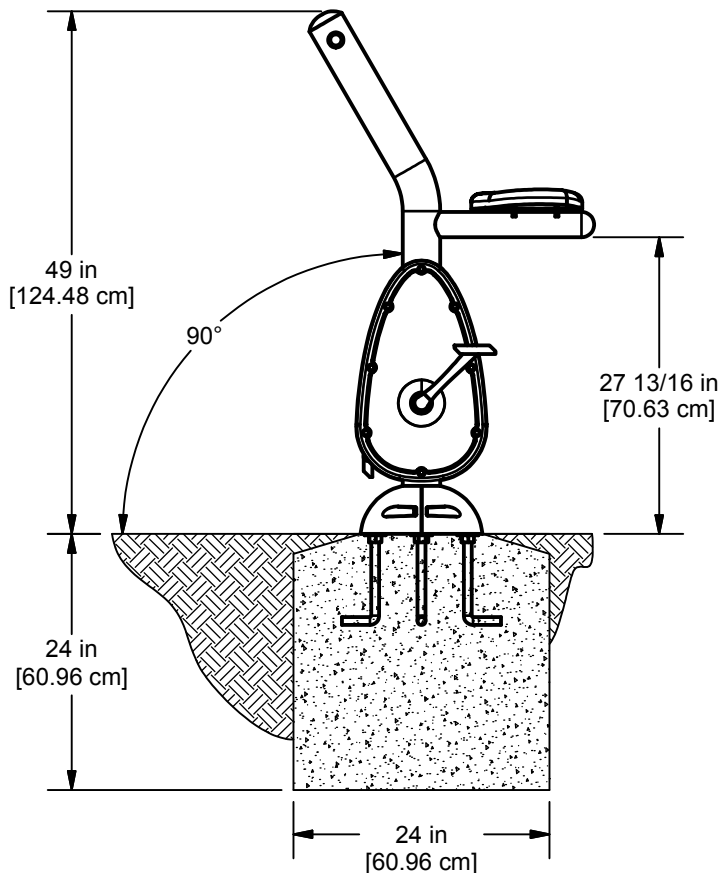
FINISHED ASSEMBLY

UP161F UPRIGHT CYCLE (FOOTING)
UP161I UPRIGHT CYCLE (IN GROUND)
UP161S UPRIGHT CYCLE (SURFACE)



PLAN VIEW

UP161F (FOOTING)



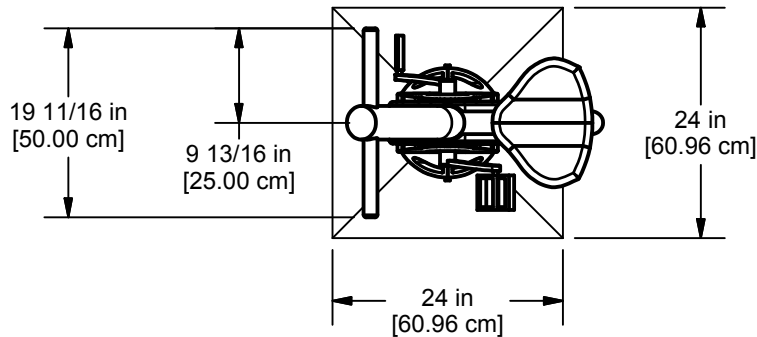
ELEVATION VIEW

UP161F (FOOTING)

Issued/Revised: 08/29/13

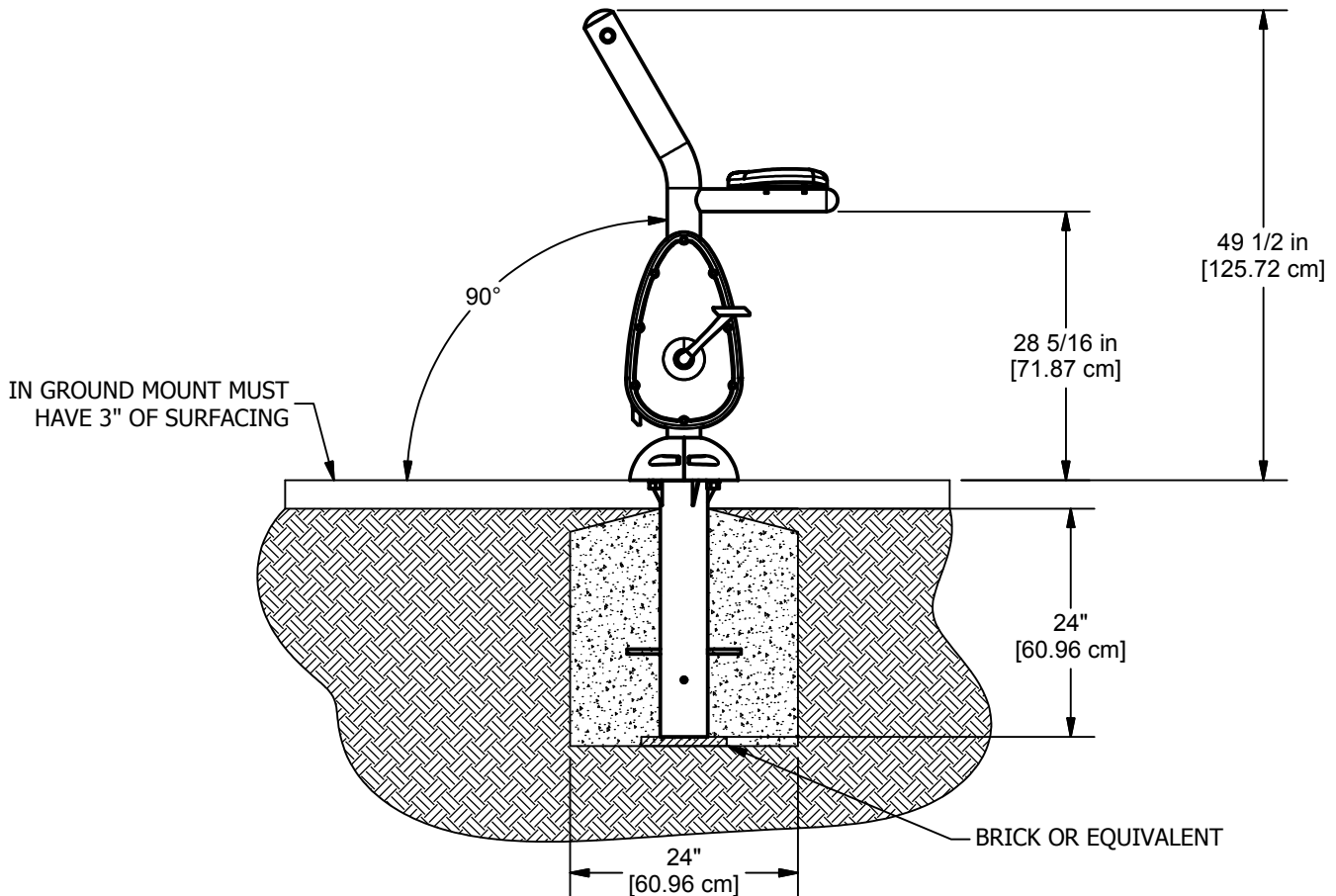


UP161F UPRIGHT CYCLE (FOOTING)
UP161I UPRIGHT CYCLE (IN GROUND)
UP161S UPRIGHT CYCLE (SURFACE)



PLAN VIEW

UP161I (IN GROUND)



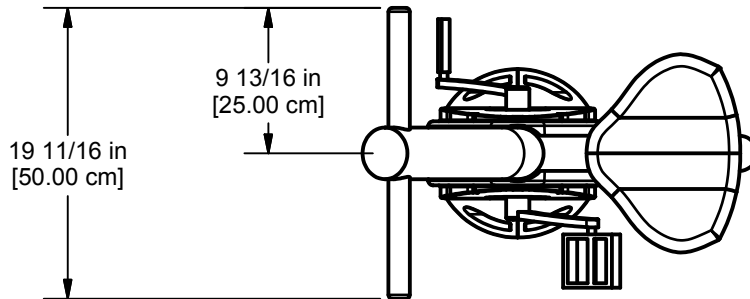
ELEVATION VIEW

UP161I (IN GROUND)

Issued/Revised: 08/29/13

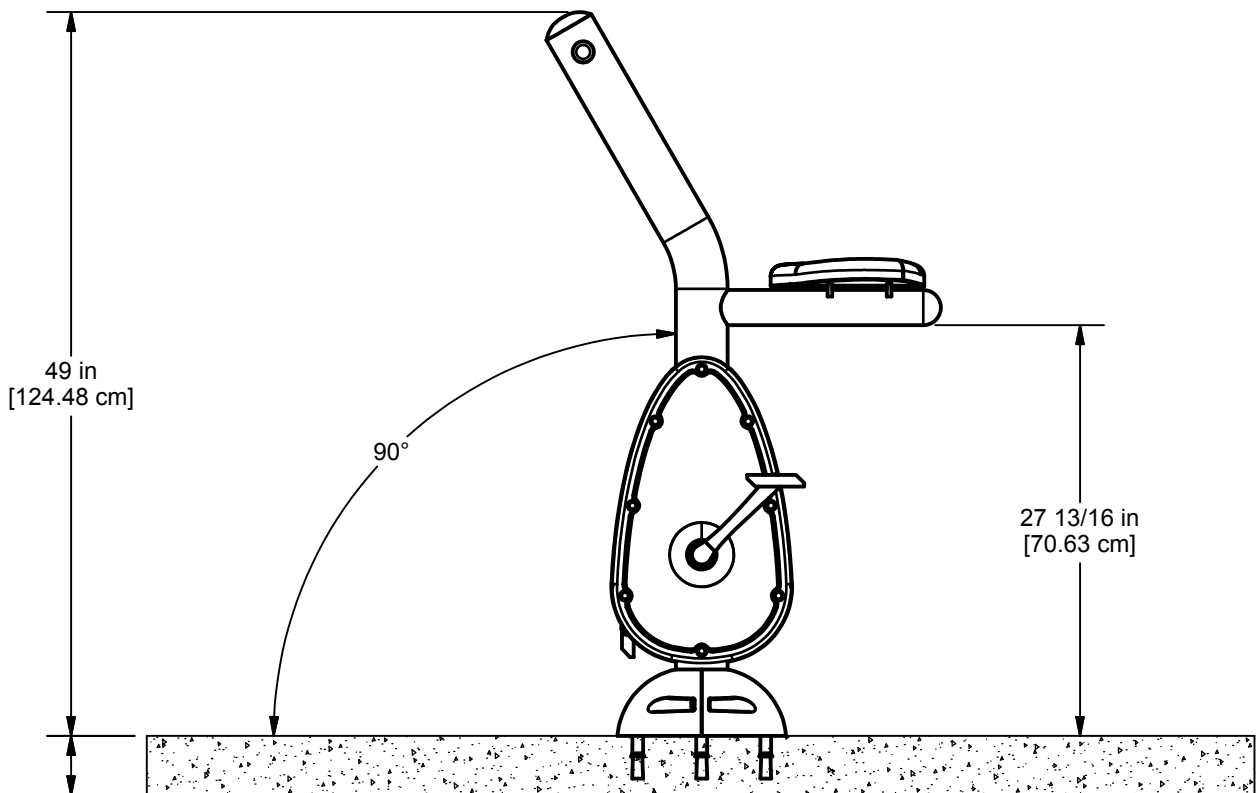


UP161F UPRIGHT CYCLE (FOOTING)
UP161I UPRIGHT CYCLE (IN GROUND)
UP161S UPRIGHT CYCLE (SURFACE)



PLAN VIEW

UP161S (SURFACE)



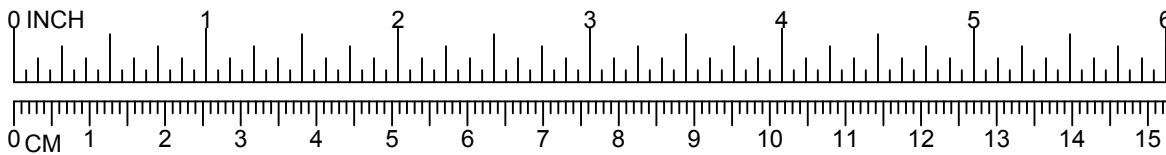
EXISTING CONCRETE MUST BE
4" MINIMUM DEPTH

ELEVATION VIEW

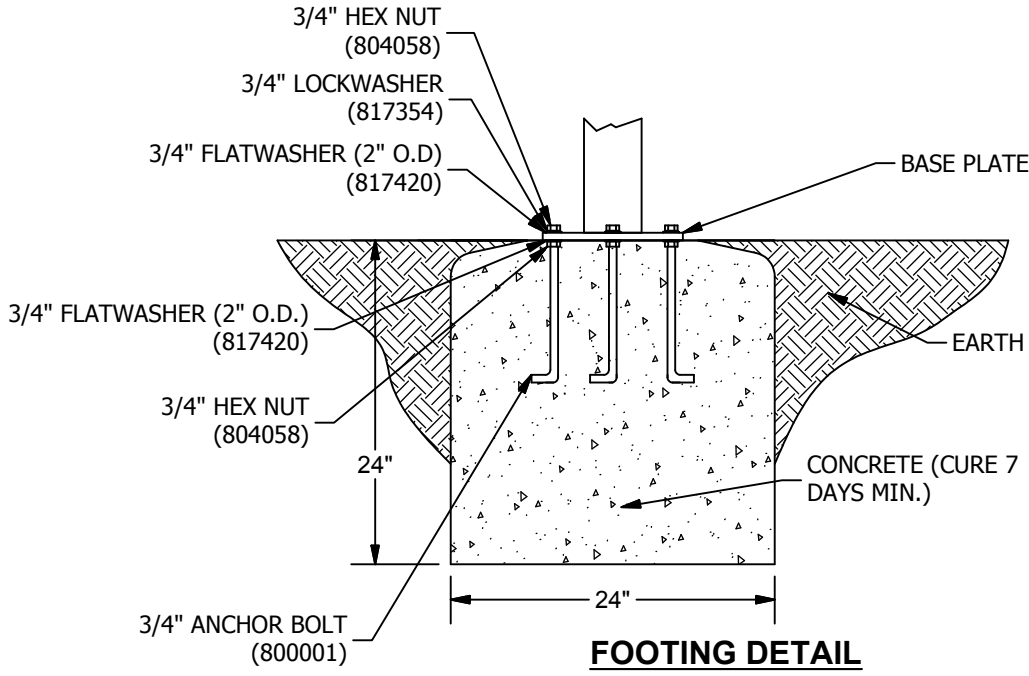
UP161S (SURFACE)

Issued/Revised: 08/29/13





UP161F UPRIGHT CYCLE (FOOTING)
UP161I UPRIGHT CYCLE (IN GROUND)
UP161S UPRIGHT CYCLE (SURFACE)

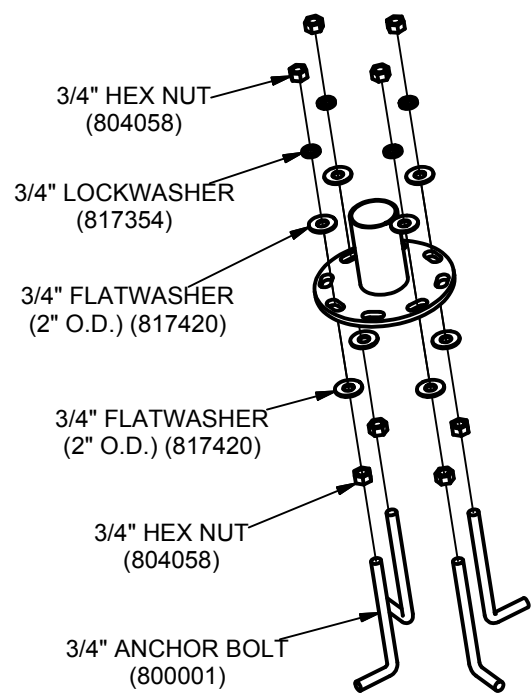


CONCRETE REQUIRED:
 .23 CUBIC YARDS
 .18 CUBIC METERS

NOTE:
 -SLOPED FOOTING IS A REQUIREMENT OF EUROPEAN STANDARD EN1176-1 ONLY.
 -SUGGESTED MINIMUM CONCRETE RATING 3000 PSI

FOOTING DETAIL

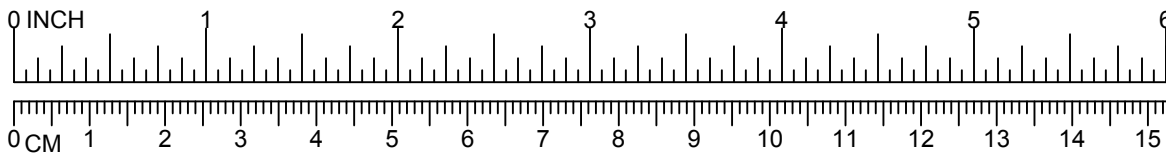
UP161F (FOOTING)



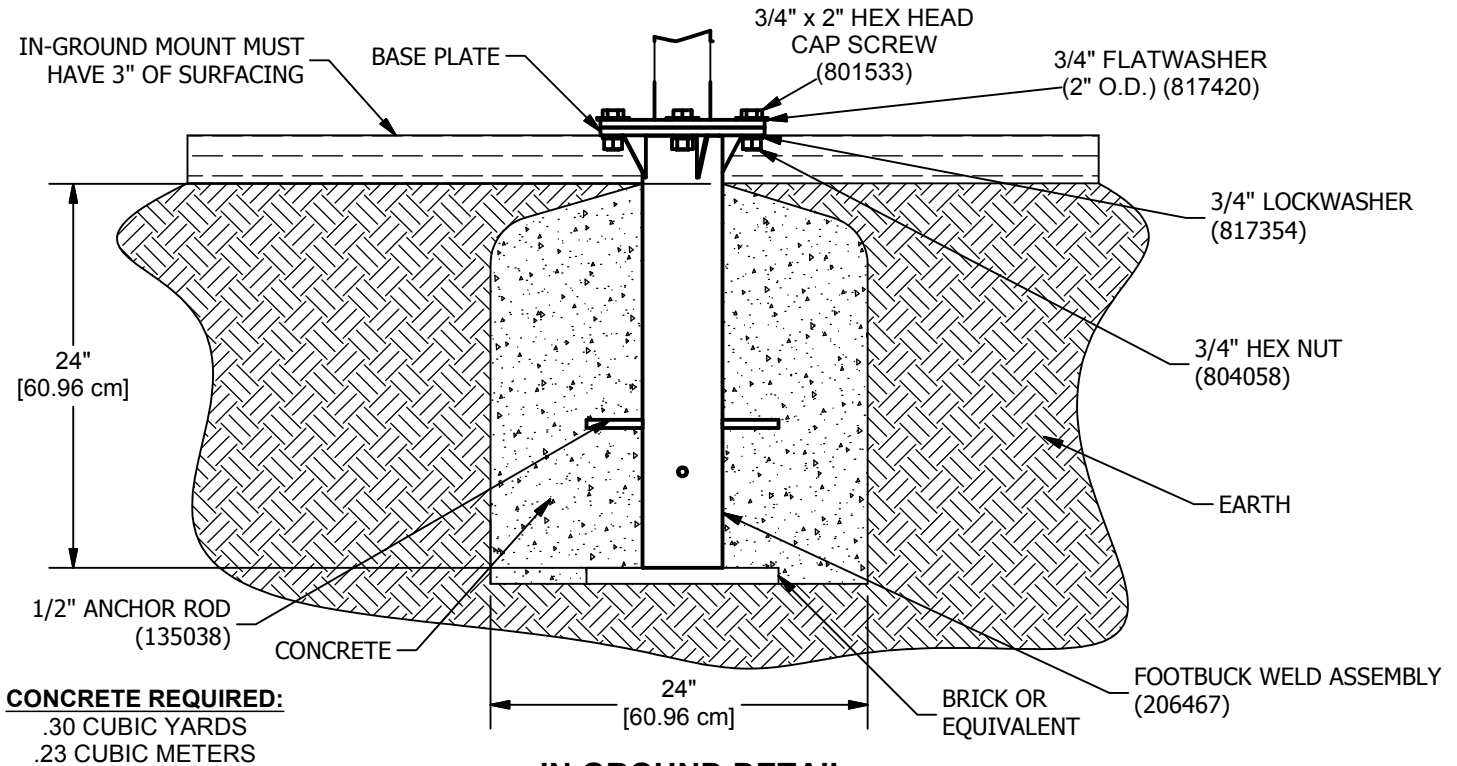
FOOTING ASSEMBLY DETAIL
UP161F (FOOTING)

Issued/Revised: 08/29/13



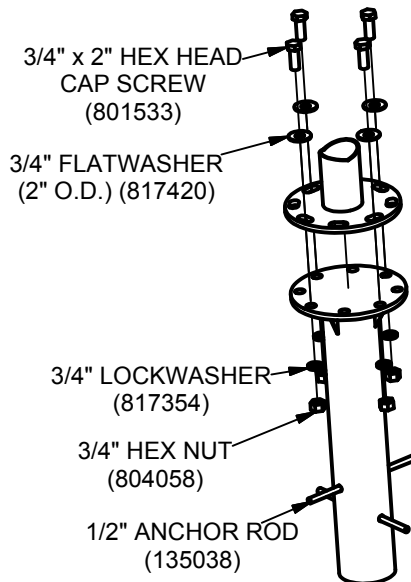


UP161F UPRIGHT CYCLE (FOOTING)
UP161I UPRIGHT CYCLE (IN GROUND)
UP161S UPRIGHT CYCLE (SURFACE)



IN GROUND DETAIL
UP161I (IN GROUND)

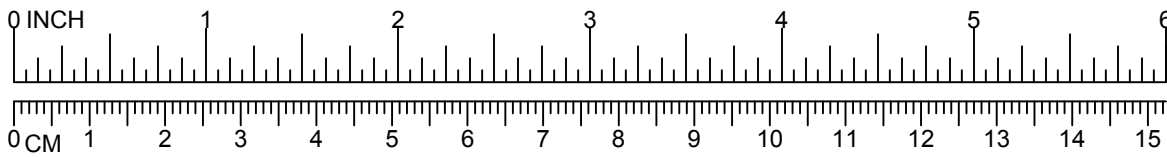
NOTE:
 -SLOPED FOOTING IS A REQUIREMENT OF EUROPEAN STANDARD EN1176-1 ONLY.
 -SUGGESTED MINIMUM CONCRETE RATING 3000 PSI.



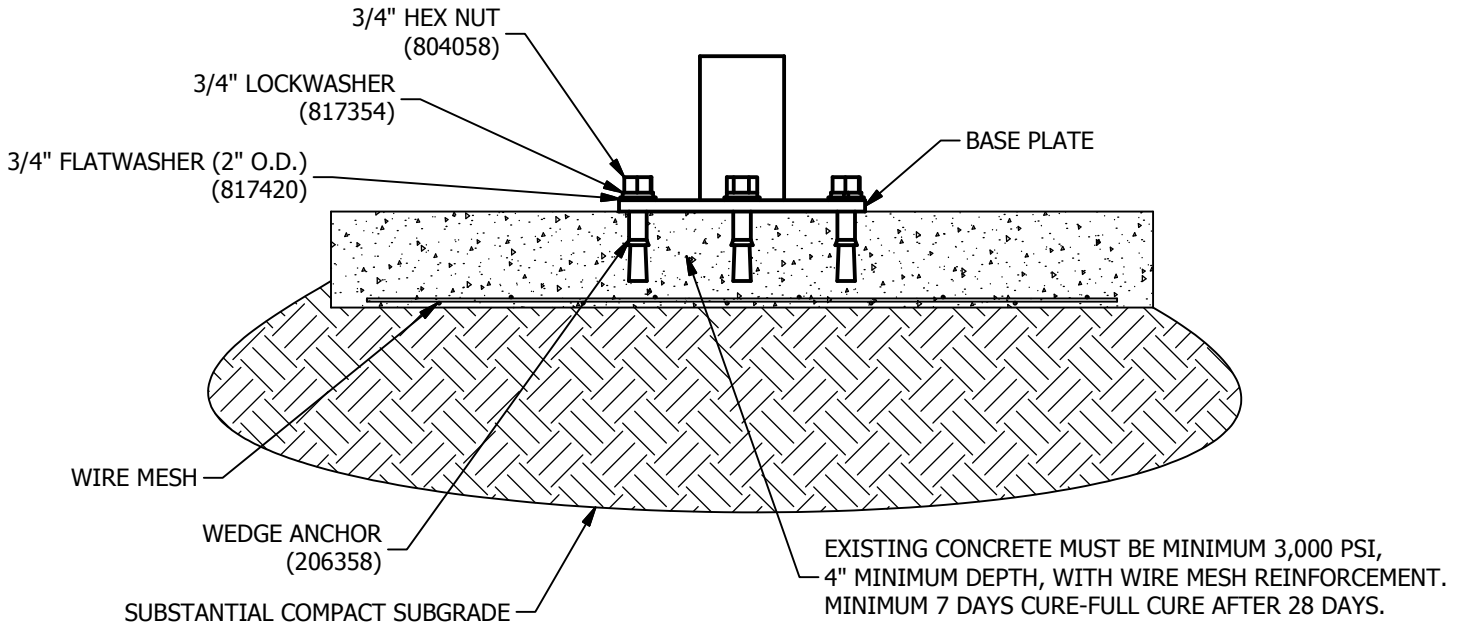
IN GROUND ASSEMBLY DETAIL
UP161I (IN GROUND)

Issued/Revised: 08/29/13

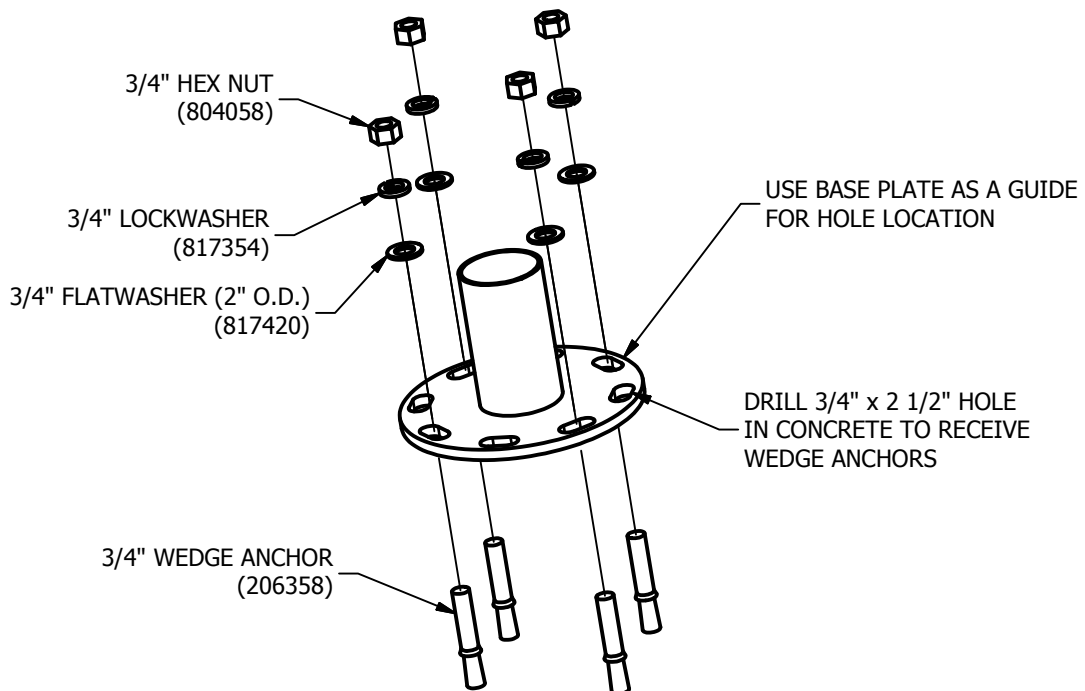




**UP161F UPRIGHT CYCLE (FOOTING)
 UP161I UPRIGHT CYCLE (IN GROUND)
 UP161S UPRIGHT CYCLE (SURFACE)**



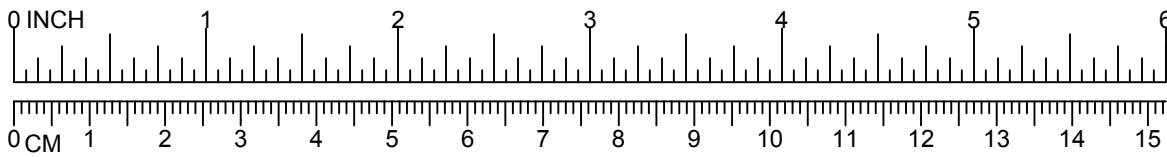
**SURFACE DETAIL
 UP161S (SURFACE)**



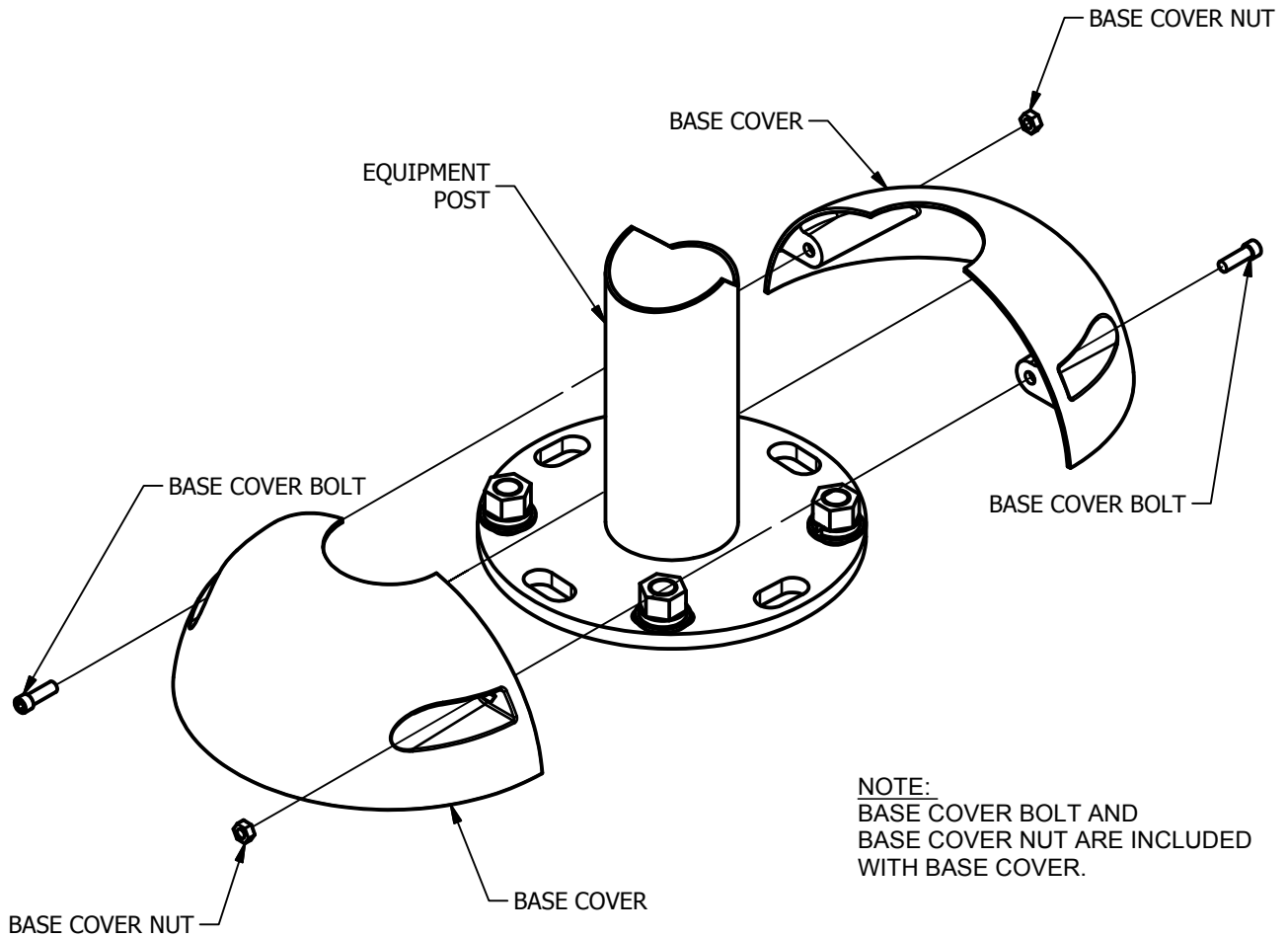
**SURFACE ASSEMBLY DETAIL
 UP161S (SURFACE)**

Issued/Revised: 08/29/13





**UP161F UPRIGHT CYCLE (FOOTING)
UP161I UPRIGHT CYCLE (IN GROUND)
UP161S UPRIGHT CYCLE (SURFACE)**



BASE COVER DETAIL