

## UP162F HAND CYCLE (FOOTING) UP162I HAND CYCLE (IN GROUND) UP162S HAND CYCLE (SURFACE)

Parts List				
DESCRIPTION	UP162F (FOOTING)	UP162I (IN GROUND)	UP162S (SURFACE)	PART NUMBER
HAND CYCLE	1	1	1	206524
BASE COVER	1	1	1	206699
FOOTBUCK WELD ASS'Y	0	1	0	206467
<b>HARDWARE COMPLETE</b>	0	0	1	206517
<b>HARDWARE COMPLETE</b>	1	0	0	206518
<b>HARDWARE COMPLETE</b>	0	1	0	206519
1/2" ANCHOR ROD	0	2	0	135038*
3/4" x 2" HEX HEAD CAP SCREW	0	4	0	801533*
3/4" WEDGE ANCHOR	0	0	4	206358*
3/4" ANCHOR BOLT	4	0	0	800001*
3/4" HEX NUT	8	4	0	804058*
3/4" FLATWASHER (2" O.D.)	8	4	0	817420*
3/4" LOCKWASHER	4	4	4	817354*

*Unless Otherwise Specified, All Units of Measure are Each*

*\*Items listed below Hardware Complete line are included with Hardware Complete Number*

**Warning: During Installation, Hardware And Small Parts Are Choking Hazards For Young Children. Store Unused Parts Appropriately Until Assembly Is Completed. Once Assembly Is Completed, Remove Any Unused Parts From The Play Environment And Dispose/Save Them In A Secure Location. Any bolt end protruding more than two full threads beyond the face of the nut causes risk of clothing entanglement. Promptly cut-off flush, file smooth, and treat to prevent corrosion.**

**Note: Peen Tee-Nuts and Flatwashers to match radius of pipe after assembly is complete.**

**Note: Loctite (supplied by others) should be used on any non-patch hardware.**

### SPECIFICATIONS:

**BASE COVER:** The Base Cover shall be constructed from aluminum and powder coated.

**CRANK ARM:** The Crank Arm shall be constructed from aluminum and chromium coated.

**CYCLE COVER:** The Cycle Cover shall be constructed from aluminum and powder coated.

**HANDLE:** The Handle shall be constructed from Monomer Cast Nylon.

**INSTRUCTIONS:** The Instructions shall be constructed from aluminum produced by silk-screen printing.

**MAIN PIPE:** The main frame shall be an all welded assembly fabricated from SPP (carbon steel pipe) and dual phase steel plate. The frame shall be powder coated.

**SADDLE:** The Saddle shall be constructed from injection molded Nylon W6.

**HARDWARE:** All nuts, bolts, screws, and lock washers used in the assembly shall be stainless steel, yellow dichromate plated steel, blue-coat plated steel, mechanically galvanized or powder coated/yellow dichromate plated steel. All primary fasteners shall be 304 alloy stainless steel. Fasteners with yellow dichromate treatment have an electro-deposited, 99.9% pure zinc substrate applied from a specially formulated solution sealed with a yellow dichromate top coat designed to work in conjunction with the zinc plating.

## UP162F HAND CYCLE (FOOTING) UP162I HAND CYCLE (IN GROUND) UP162S HAND CYCLE (SURFACE)

**NOTE:** Do not overtighten bolts. To overtighten may cause buckling or dimpling of some parts.

**NOTE:** Read installation instructions thoroughly before starting assembly. Pour concrete only after final assembly is completed. Bracing material is required during assembly.

**NOTE:** Assembly and leveling times will be greatly reduced if a transit is used to set location and depth of ground holes.

### **INSTALLATION INSTRUCTIONS FOR UP162F (FOOTING):**

1. Dig holes or drill holes according to Plan View and Elevation View. **NOTE:** Due to extremes in weather and soil conditions, hole size may have to be increased to meet local conditions.
2. Fill hole with concrete. While the concrete is still soft, yet firm enough to support the Hand Cycle, Place (4) Anchor Bolts of the Hand Cycle in position. See Footing Detail. **NOTE:** Use Hand Cycle as a template for Anchor Bolt location, then remove Hand Cycle.

**IMPORTANT:** DO NOT MOUNT THE HAND CYCLE TO THE ANCHOR BOLTS FOR AT LEAST 7 DAYS.

3. After concrete has cured and set for a minimum of 7 Days, attach Hand Cycle to 3/4" Anchor Bolt using 3/4" Flat Washer (2" O.D.), 3/4" Lock Washer, and 3/4" Hex Nut. See Footing Assembly Detail.
4. Attach Base Cover to Equipment Post using Base Cover Nut and Base Cover Bolt included with Base Cover. See Base Cover Detail.

### **INSTALLATION INSTRUCTIONS FOR UP162I (IN GROUND):**

1. Dig holes or drill holes according to Plan View and Elevation View. **NOTE:** Due to extremes in weather and soil conditions, hole size may have to be increased to meet local conditions.
2. Attach the Footbuck Weld Assembly to the Hand Cycle using 3/4" Hex Nut, 3/4" Lockwasher, 3/4" Flatwasher (2" O.D.), 3/4" x 2" Hex Head Cap Screw. See In-Ground Assembly Detail.
3. Place Hand Cycle into hole making sure it rests on the brick. See In-Ground Detail.
4. Level Hand Cycle using sway bracing.
5. Pour concrete according to the Plan View and Elevation View. Allow concrete to cure for a minimum of 7 days.
6. Attach Base Cover to Equipment Post using Base Cover Detail.

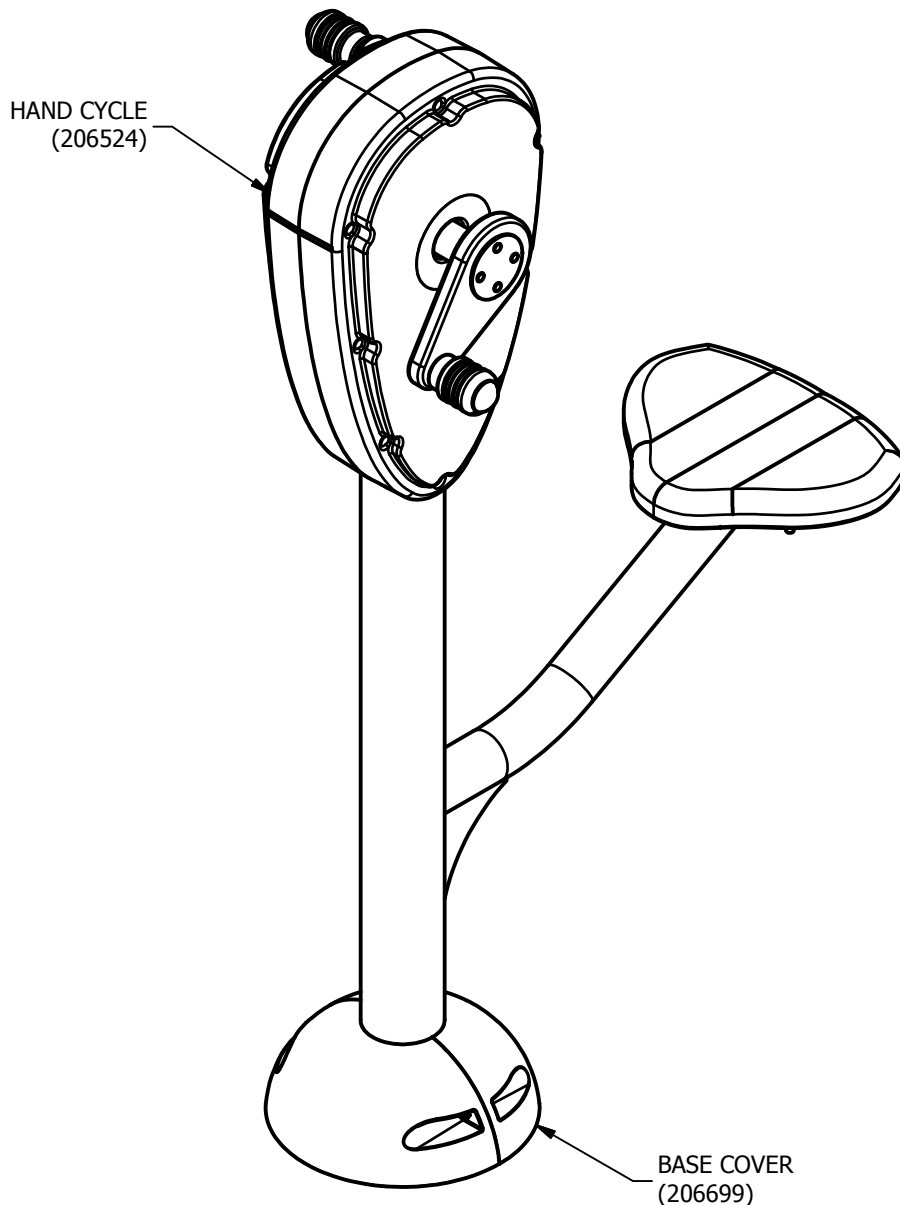
### **INSTALLATION INSTRUCTIONS FOR UP162S (SURFACE):**

1. Mark correct location of holes for Wedge Anchor using the Base Plate as a guide.
2. Drill 3/4" x 2 1/2" hole in concrete for Wedge Anchor. See Surface Detail.
3. Insert Wedge Anchors and secure with 3/4" Flatwasher (2" O.D.), 3/4" Lockwasher, and 3/4" Hex Nut. See Surface Assembly Detail.
4. Attach Base Cover to Equipment Post using Base Cover Detail.

## UP162F HAND CYCLE (FOOTING) UP162I HAND CYCLE (IN GROUND) UP162S HAND CYCLE (SURFACE)

### **MAINTENANCE PROCEDURE:**

Periodically check hardware for tightness, and tighten as necessary. Always check all parts for breakage or wear, and immediately put equipment out of service until any faulty parts found are repaired or replaced. Also Check all metal parts for rust, paint loss and touch-up if necessary with paint. Check for welded areas and verify integrity. Check periodically resilient surfacing for appropriate depth and remove extraneous materials that could cause injury, infection, or disease. Maintain detailed installation, inspection, maintenance, and repair records for each public-use playground equipment.

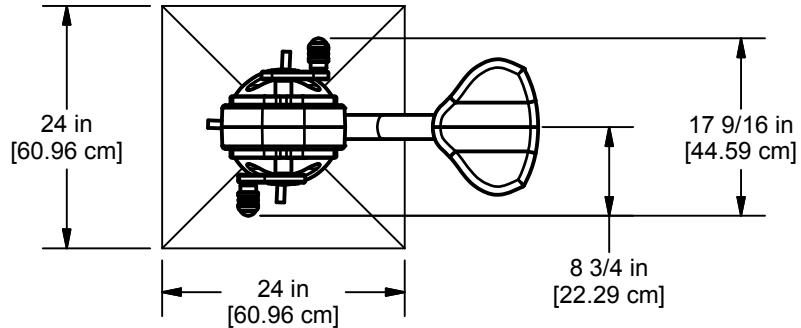


### **FINISHED ASSEMBLY**

Issued/Revised: 08/29/13

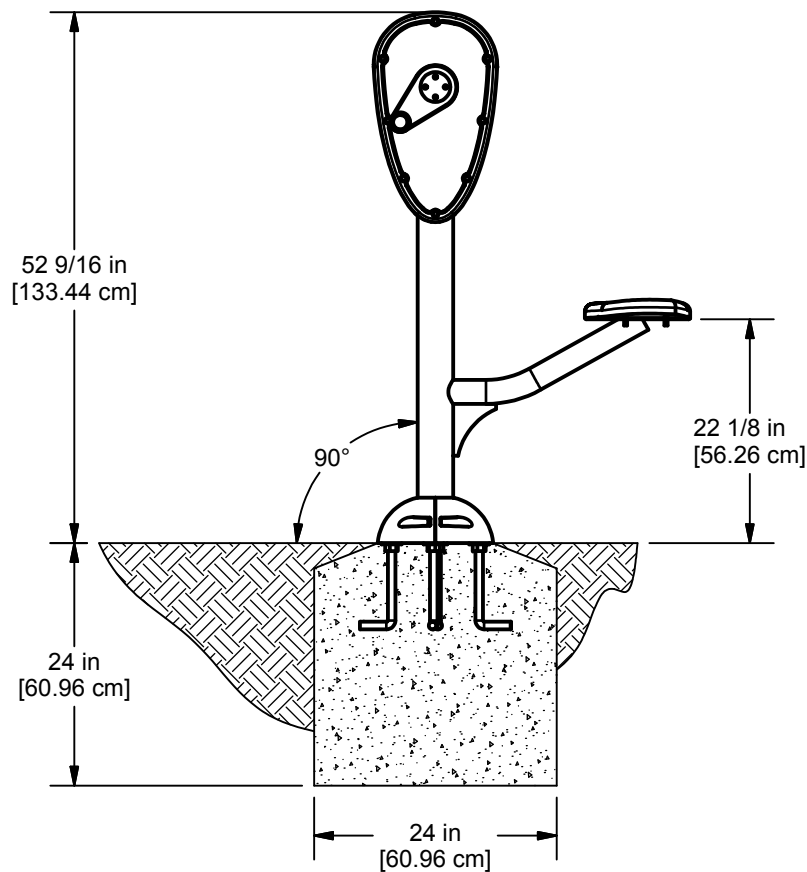


**UP162F HAND CYCLE (FOOTING)**  
**UP162I HAND CYCLE (IN GROUND)**  
**UP162S HAND CYCLE (SURFACE)**



**PLAN VIEW**

**UP162F (FOOTING)**



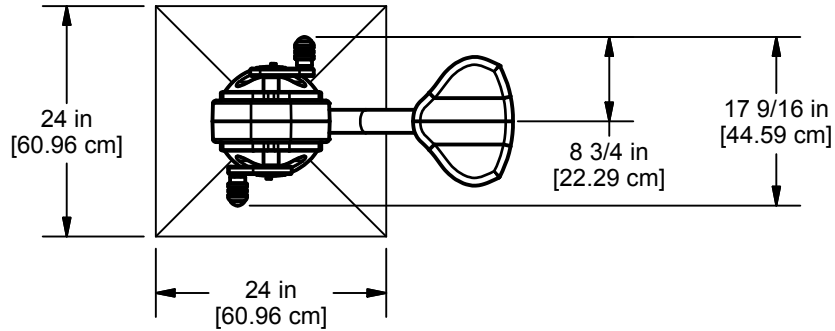
**ELEVATION VIEW**

**UP162F (FOOTING)**

Issued/Revised: 08/29/13

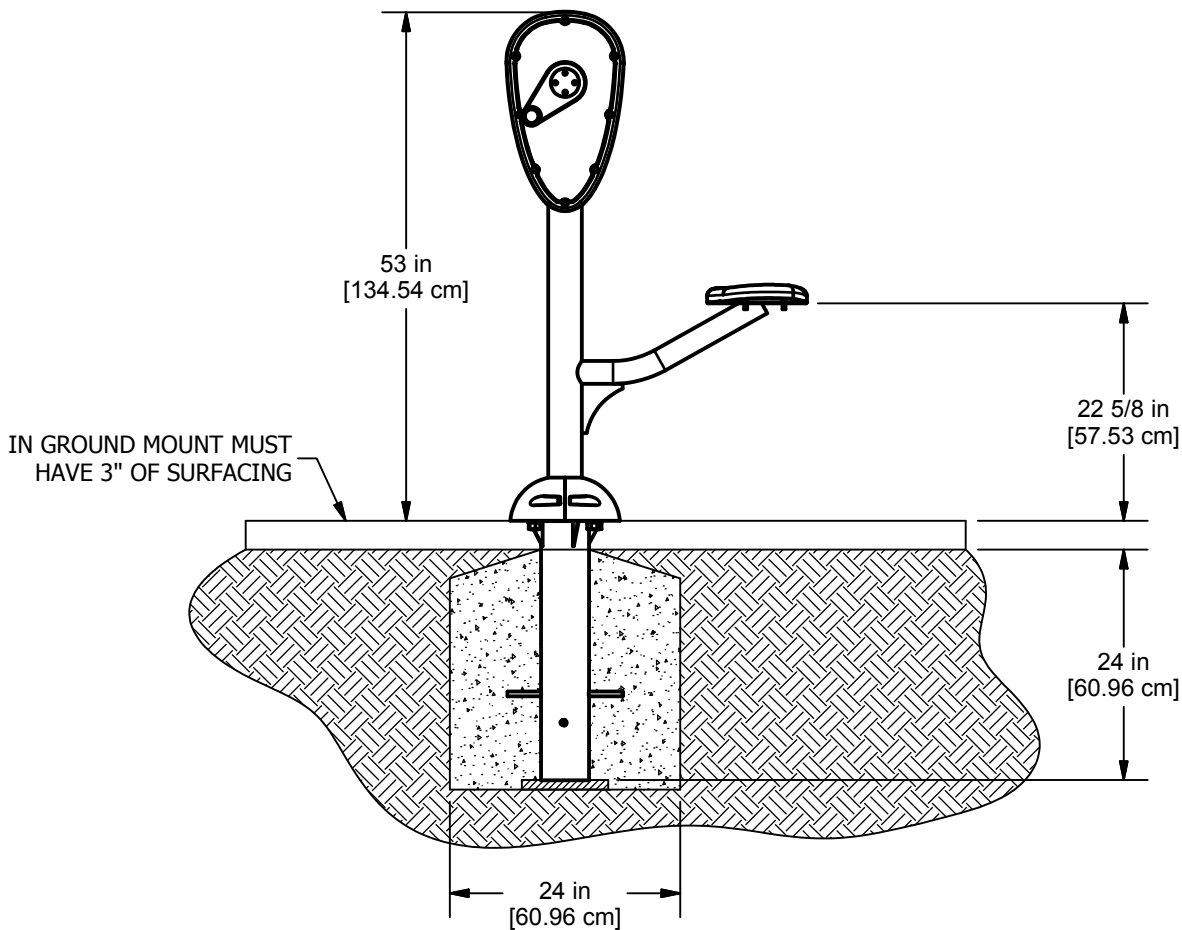


**UP162F HAND CYCLE (FOOTING)  
UP162I HAND CYCLE (IN GROUND)  
UP162S HAND CYCLE (SURFACE)**



**PLAN VIEW**

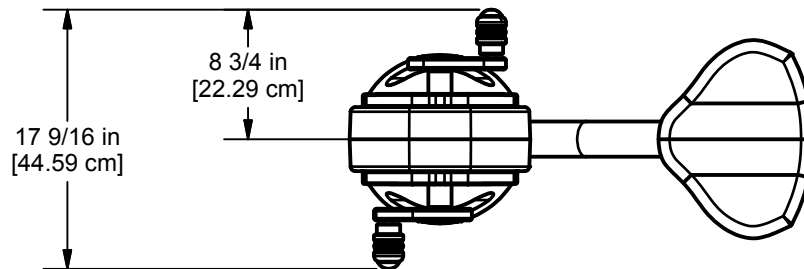
**UP162I (IN GROUND)**



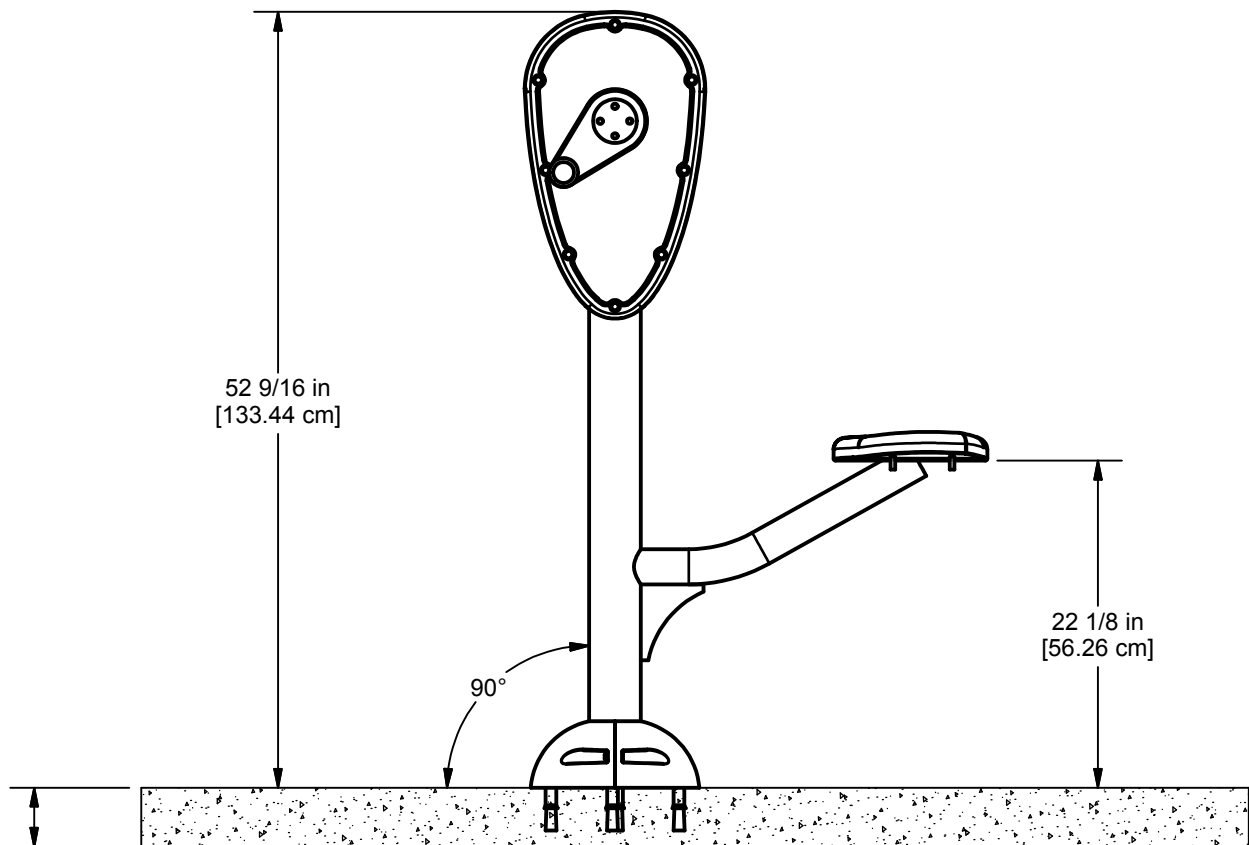
**ELEVATION VIEW**

**UP162I (IN GROUND)**

**UP162F HAND CYCLE (FOOTING)**  
**UP162I HAND CYCLE (IN GROUND)**  
**UP162S HAND CYCLE (SURFACE)**

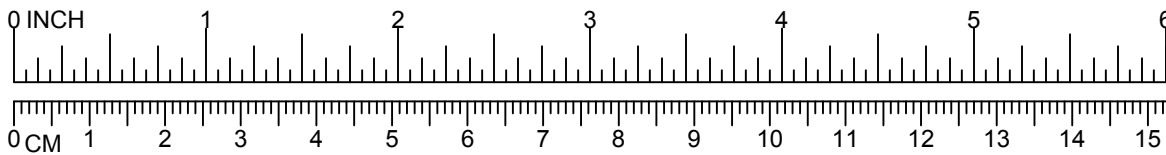


**PLAN VIEW**  
**UP162S (SURFACE)**

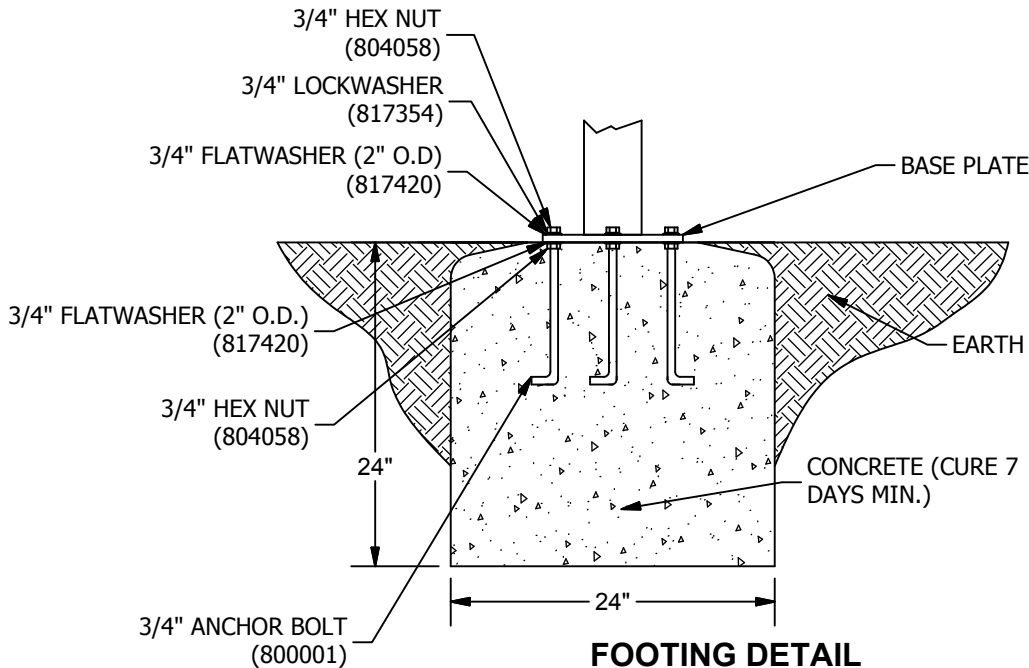


EXISTING CONCRETE MUST BE  
4" MINIMUM DEPTH

**ELEVATION VIEW**  
**UP162S (SURFACE)**



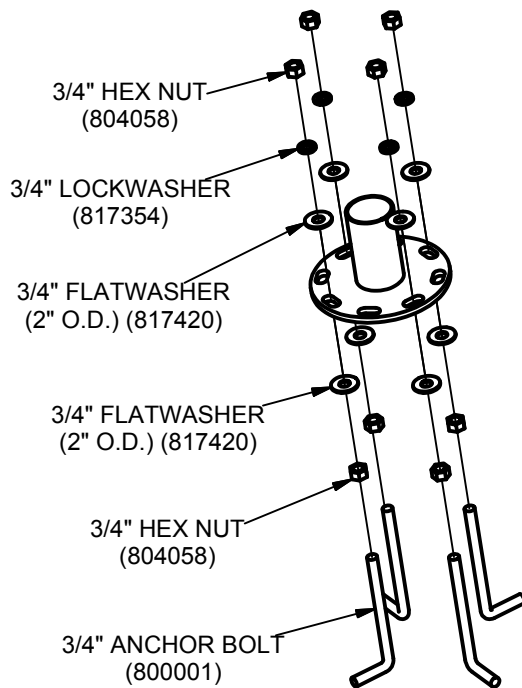
**UP162F HAND CYCLE (FOOTING)  
 UP162I HAND CYCLE (IN GROUND)  
 UP162S HAND CYCLE (SURFACE)**



**CONCRETE REQUIRED:**  
 .23 CUBIC YARDS  
 .18 CUBIC METERS

**NOTE:**  
 -SLOPED FOOTING IS A REQUIREMENT OF EUROPEAN STANDARD EN1176-1 ONLY.  
 -SUGGESTED MINIMUM CONCRETE RATING 3000 PSI

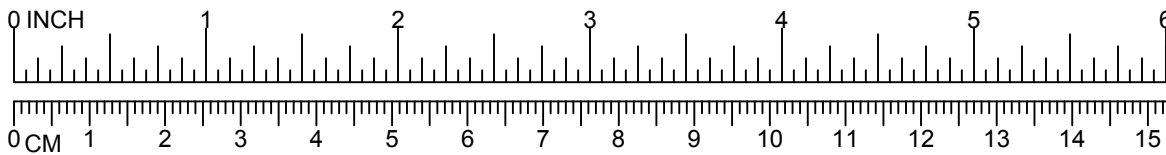
**FOOTING DETAIL  
 UP162F (FOOTING)**



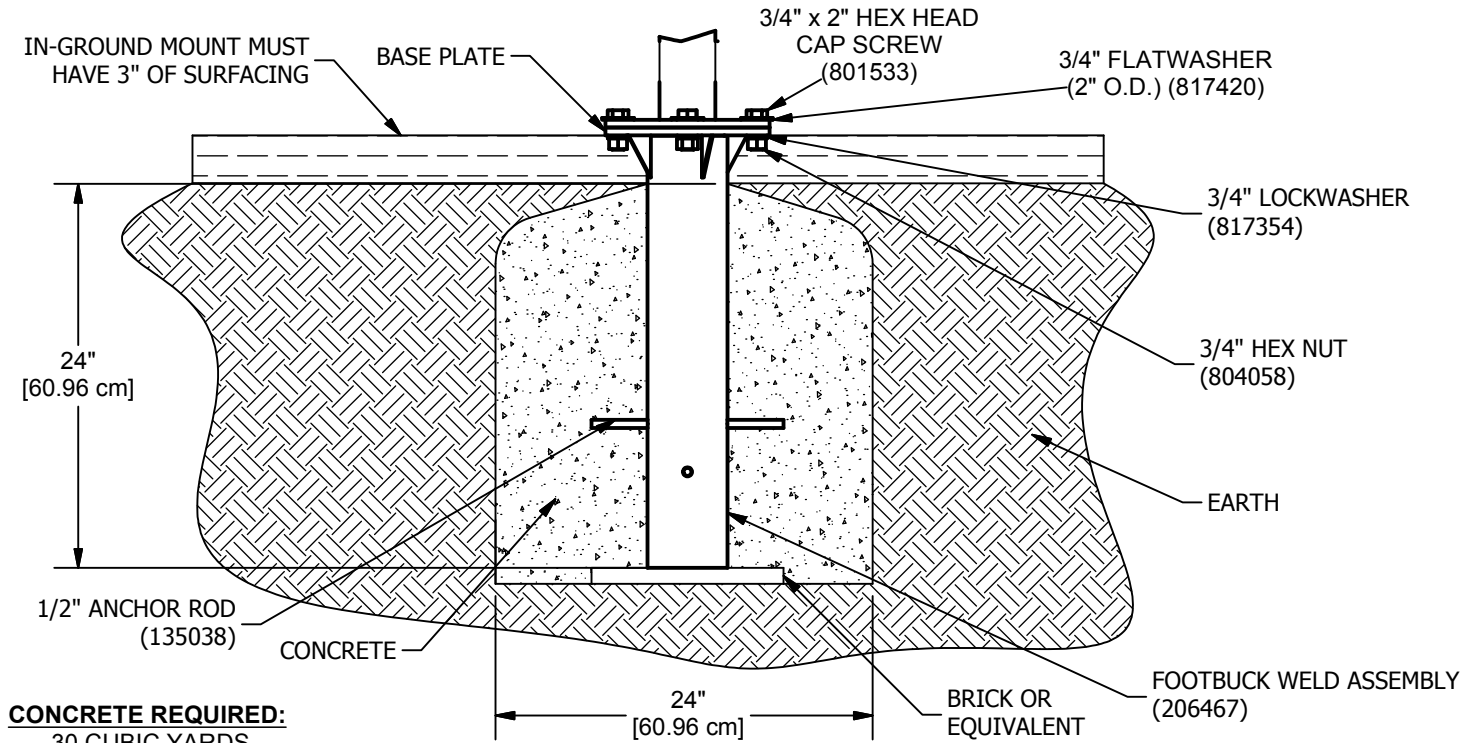
**FOOTING ASSEMBLY DETAIL  
 UP162F (FOOTING)**

Issued/Revised: 08/29/13





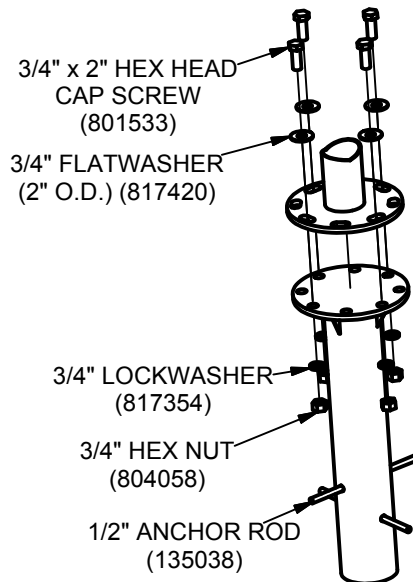
**UP162F HAND CYCLE (FOOTING)  
 UP162I HAND CYCLE (IN GROUND)  
 UP162S HAND CYCLE (SURFACE)**



**CONCRETE REQUIRED:**  
 .30 CUBIC YARDS  
 .23 CUBIC METERS

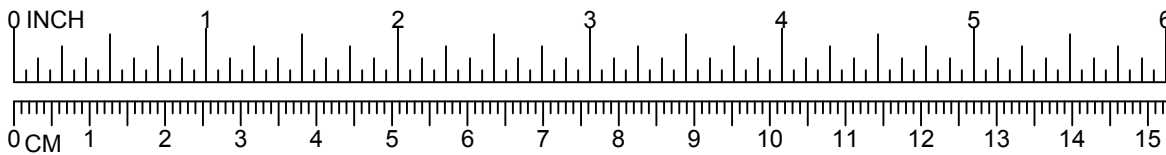
**IN GROUND DETAIL  
 UP162I (IN GROUND)**

**NOTE:**  
 -SLOPED FOOTING IS A REQUIREMENT OF EUROPEAN STANDARD EN1176-1 ONLY.  
 -SUGGESTED MINIMUM CONCRETE RATING 3000 PSI.

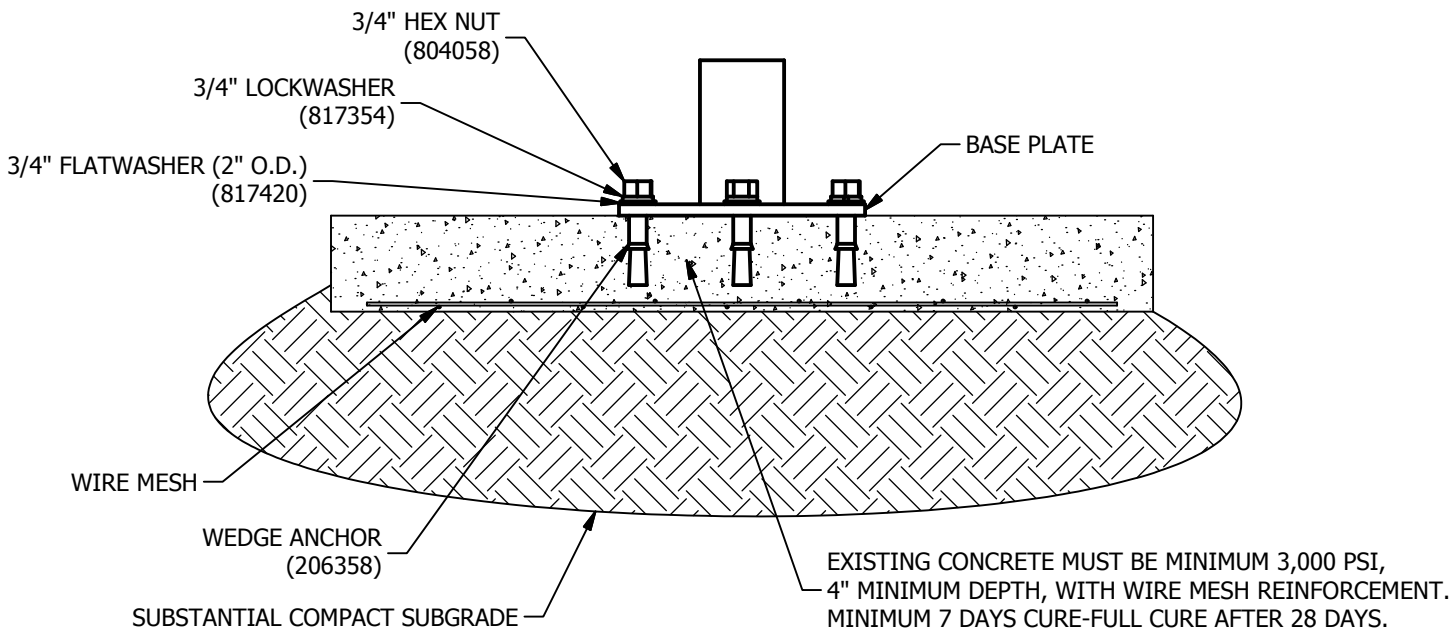


**IN GROUND ASSEMBLY DETAIL  
 UP162I (IN GROUND)**

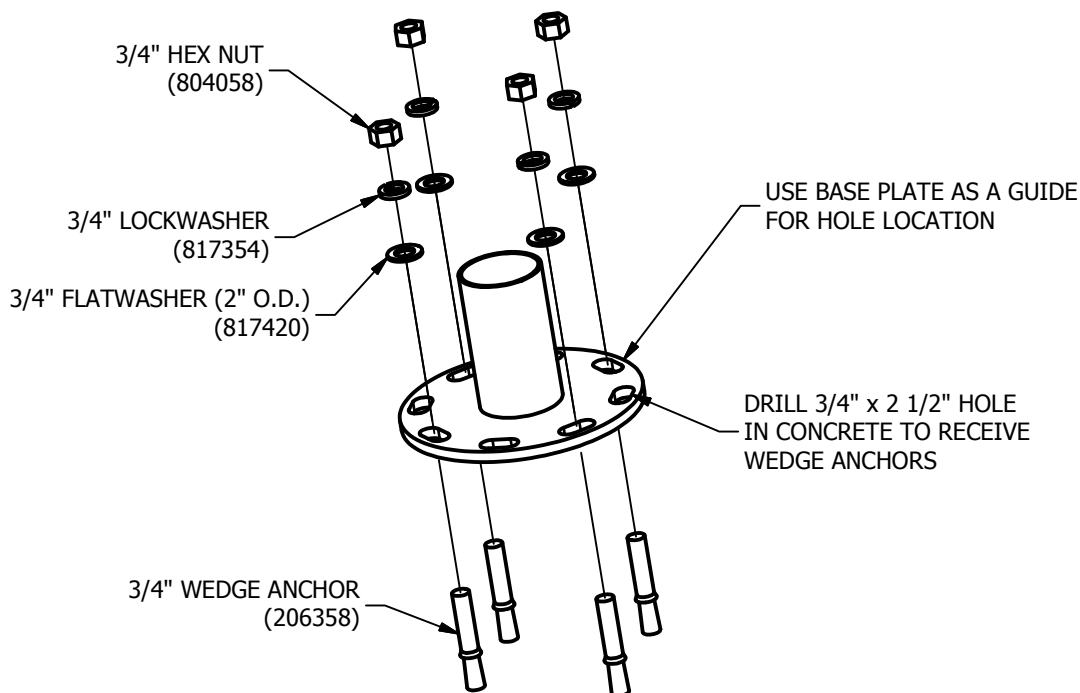




**UP162F HAND CYCLE (FOOTING)**  
**UP162I HAND CYCLE (IN GROUND)**  
**UP162S HAND CYCLE (SURFACE)**



**SURFACE DETAIL**  
**UP162S (SURFACE)**

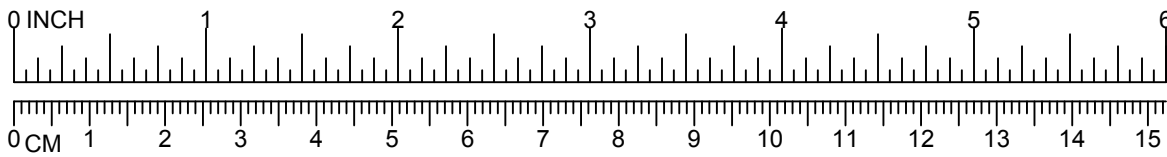


**SURFACE ASSEMBLY DETAIL**  
**UP162S (SURFACE)**

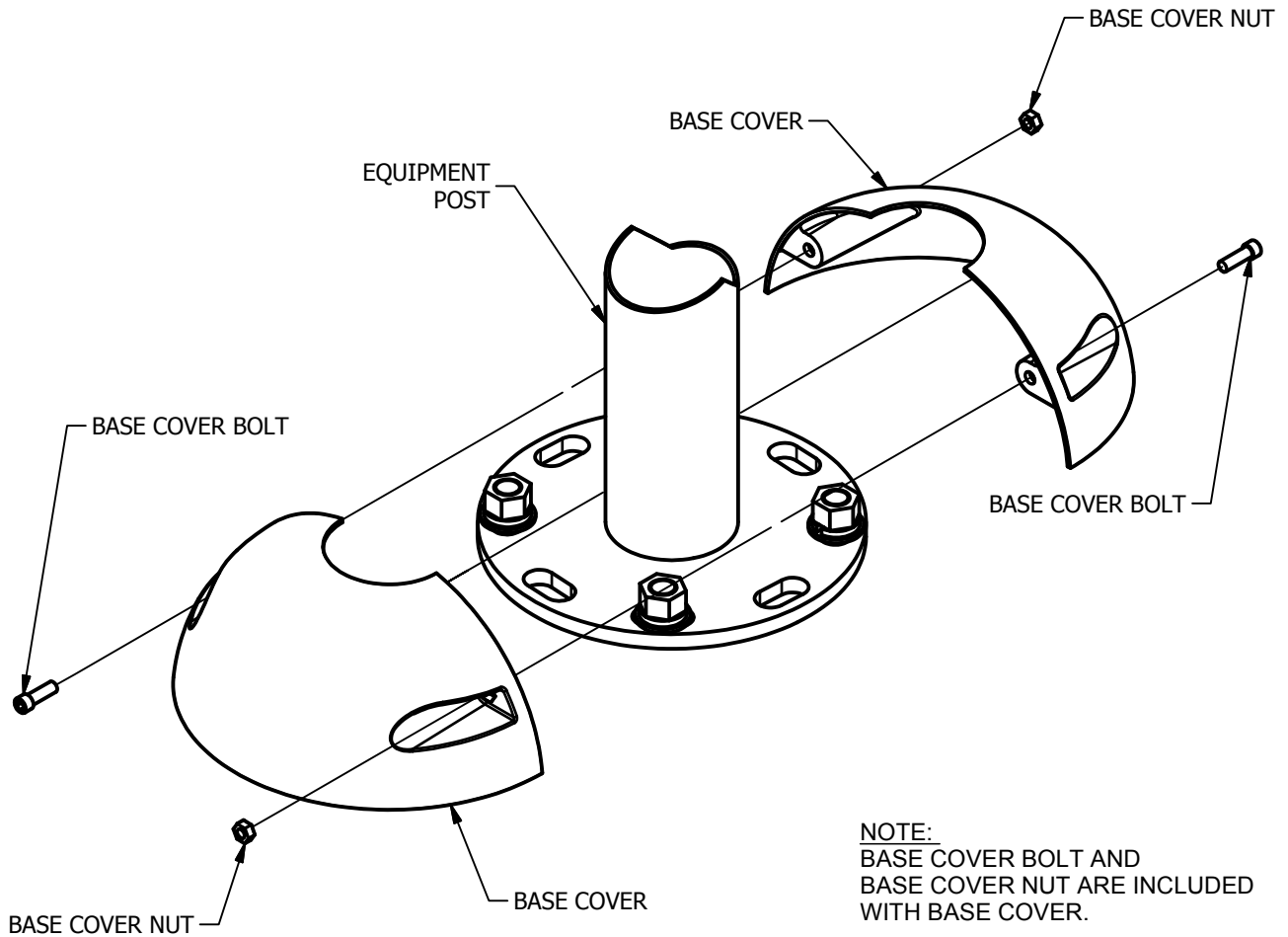
Issued/Revised: 08/29/13



A PLAYCORE Company



**UP162F HAND CYCLE (FOOTING)  
UP162I HAND CYCLE (IN GROUND)  
UP162S HAND CYCLE (SURFACE)**



**NOTE:**  
BASE COVER BOLT AND  
BASE COVER NUT ARE INCLUDED  
WITH BASE COVER.

**BASE COVER DETAIL**