

UP164F CARDIO WALKER (FOOTING) UP164I CARDIO WALKER (IN GROUND) UP164S CARDIO WALKER (SURFACE)

Parts List				
DESCRIPTION	UP164F (FOOTING)	UP164I (IN GROUND)	UP164S (SURFACE)	PART NUMBER
CARDIO WALKER	1	1	1	206520
BASE COVER	1	1	1	206700
FOOTBUCK WELD ASSEMBLY	0	1	0	206467
HARDWARE COMPLETE	0	0	1	206517
HARDWARE COMPLETE	1	0	0	206518
HARDWARE COMPLETE	0	1	0	206519
1/2" ANCHOR ROD	0	2	0	135038*
3/4" x 2" HEX HEAD CAP SCREW	0	4	0	801533*
3/4" WEDGE ANCHOR	0	0	4	206358*
3/4" ANCHOR BOLT	4	0	0	800001*
3/4" HEX NUT	8	4	0	804058*
3/4" FLATWASHER (2" O.D.)	8	4	0	817420*
3/4" LOCKWASHER	4	4	4	817354*

Unless Otherwise Specified, All Units of Measure are Each

**Items listed below Hardware Complete line are included with Hardware Complete Number*

Warning: During Installation, Hardware And Small Parts Are Choking Hazards For Young Children. Store Unused Parts Appropriately Until Assembly Is Completed. Once Assembly Is Completed, Remove Any Unused Parts From The Play Environment And Dispose/Save Them In A Secure Location. Any bolt end protruding more than two full threads beyond the face of the nut causes risk of clothing entanglement.

Promptly cut-off flush, file smooth, and treat to prevent corrosion.

Note: Peen Tee-Nuts and Flatwashers to match radius of pipe after assembly is complete.

Note: Loctite (supplied by others) should be used on any non-patch hardware.

SPECIFICATIONS:

BASE COVER: The Base Cover shall be constructed from aluminum and powder coated.

FOOTREST: The Footrest shall be constructed from injection molded Nylon W6.

GUARD: The Guard shall be constructed from injection molded Polyethylene.

INSTRUCTIONS: The Instructions shall be constructed from aluminum produced by silk-screen printing.

MAIN PIPE: The main frame shall be an all welded assembly fabricated from SPP (carbon steel pipe) and dual phase steel plate. The frame shall be powder coated.

POST CAP: The Post Cap shall be constructed from injection molded Polyethylene.

HARDWARE: All nuts, bolts, screws, and lock washers used in the assembly shall be stainless steel, yellow dichromate plated steel, blue-coat plated steel, mechanically galvanized or powder coated/yellow dichromate plated steel. All primary fasteners shall be 304 alloy stainless steel. Fasteners with yellow dichromate treatment have an electro-deposited, 99.9% pure zinc substrate applied from a specially formulated solution sealed with a yellow dichromate top coat designed to work in conjunction with the zinc plating.

UP164F CARDIO WALKER (FOOTING) UP164I CARDIO WALKER (IN GROUND) UP164S CARDIO WALKER (SURFACE)

NOTE: Do not overtighten bolts. To overtighten may cause buckling or dimpling of some parts.

NOTE: Read installation instructions thoroughly before starting assembly. Pour concrete only after final assembly is completed. Bracing material is required during assembly.

NOTE: Assembly and leveling times will be greatly reduced if a transit is used to set location and depth of ground holes.

INSTALLATION INSTRUCTIONS FOR UP164F (FOOTING):

1. Dig holes or drill holes according to Plan View and Elevation View. **NOTE:** Due to extremes in weather and soil conditions, hole size may have to be increased to meet local conditions.
2. Fill hole with concrete. While the concrete is still soft, yet firm enough to support the Cardio Walker, Place (4) Anchor Bolts of the Cardio Walker in position. See Footing Detail. **NOTE:** Use Cardio Walker as a template for Anchor Bolt location, then remove Cardio Walker.

IMPORTANT: DO NOT MOUNT THE CARDIO WALKER TO THE ANCHOR BOLTS FOR AT LEAST 7 DAYS.

3. After concrete has cured and set for a minimum of 7 Days, attach Cardio Walker to 3/4" Anchor Bolt using 3/4" Flat Washer (2" O.D.), 3/4" Lock Washer, and 3/4" Hex Nut. See Footing Assembly Detail.
4. Attach Base Cover to Equipment Post using Base Cover Nut and Base Cover Bolt included with Base Cover. See Base Cover Detail.

INSTALLATION INSTRUCTIONS FOR UP164I (IN GROUND):

1. Dig holes or drill holes according to Plan View and Elevation View. **NOTE:** Due to extremes in weather and soil conditions, hole size may have to be increased to meet local conditions.
2. Attach the Footbuck Weld Assembly to the Cardio Walker using 3/4" Hex Nut, 3/4" Lockwasher, 3/4" Flatwasher (2" O.D.), 3/4" x 2" Hex Head Cap Screw. See In-Ground Assembly Detail.
3. Place Cardio Walker into hole making sure it rests on the brick. See In-Ground Detail.
4. Level Cardio Walker using sway bracing.
5. Pour concrete according to the Plan View and Elevation View. Allow concrete to cure for a minimum of 7 days.
6. Attach Base Cover to Equipment Post using Base Cover Detail.

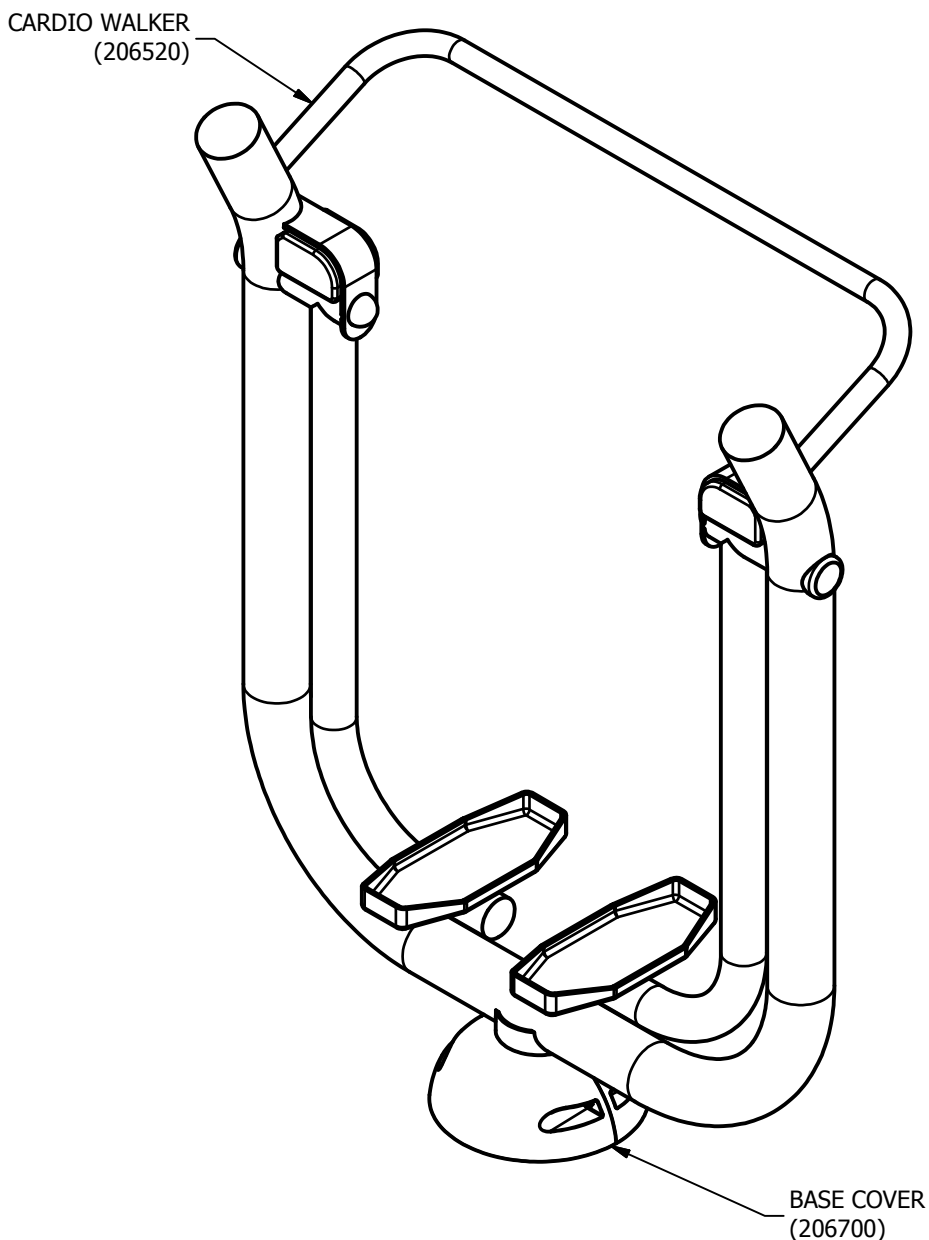
INSTALLATION INSTRUCTIONS FOR UP164S (SURFACE):

1. Mark correct location of holes for Wedge Anchor using the Base Plate as a guide.
2. Drill 3/4" x 2 1/2" hole in concrete for Wedge Anchor. See Surface Detail.
3. Insert Wedge Anchors and secure with 3/4" Flatwasher (2" O.D.), 3/4" Lockwasher, and 3/4" Hex Nut. See Surface Assembly Detail.
4. Attach Base Cover to Equipment Post using Base Cover Detail.

UP164F CARDIO WALKER (FOOTING) UP164I CARDIO WALKER (IN GROUND) UP164S CARDIO WALKER (SURFACE)

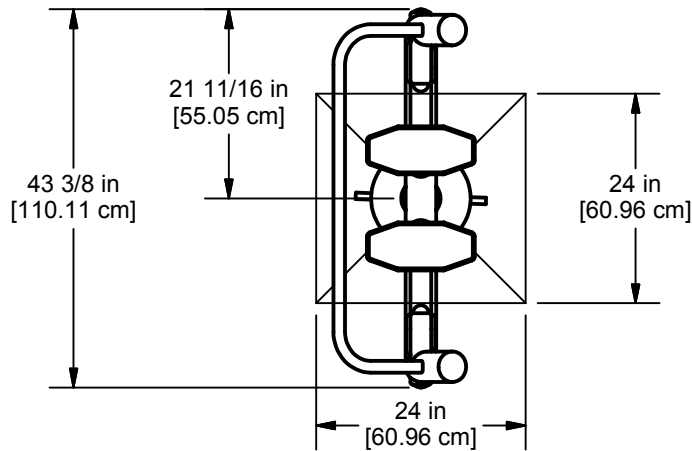
MAINTENANCE PROCEDURE:

Periodically check hardware for tightness, and tighten as necessary. Always check all parts for breakage or wear, and immediately put equipment out of service until any faulty parts found are repaired or replaced. Also Check all metal parts for rust, paint loss and touch-up if necessary with paint. Check for welded areas and verify integrity. Check periodically resilient surfacing for appropriate depth and remove extraneous materials that could cause injury, infection, or disease. Maintain detailed installation, inspection, maintenance, and repair records for each public-use playground equipment.

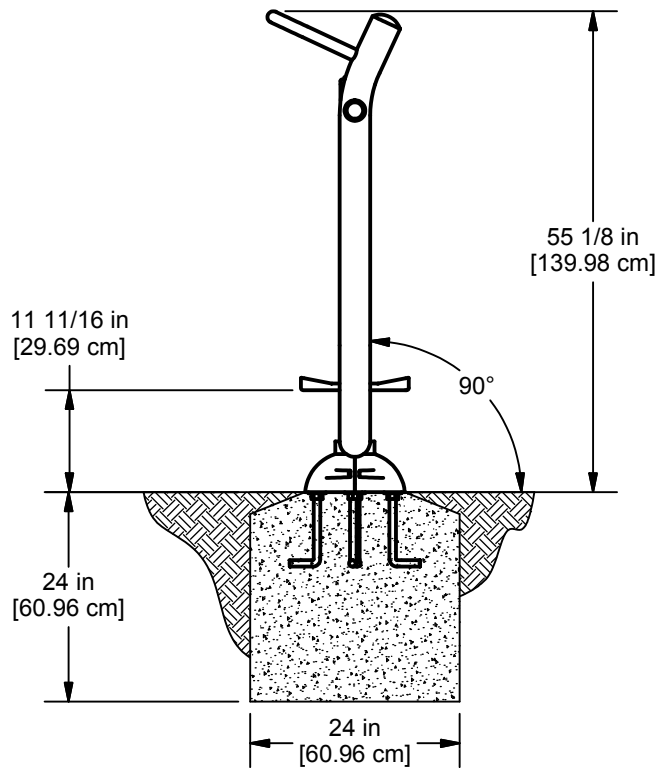


FINISHED ASSEMBLY

UP164F CARDIO WALKER (FOOTING)
UP164I CARDIO WALKER (IN GROUND)
UP164S CARDIO WALKER (SURFACE)

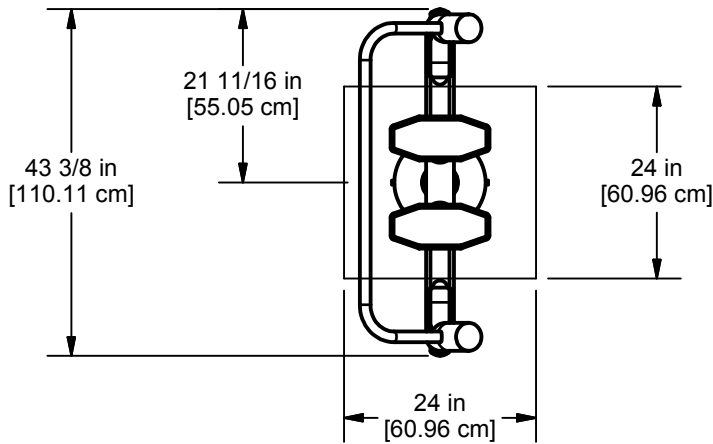


PLAN VIEW
UP164F (FOOTING)



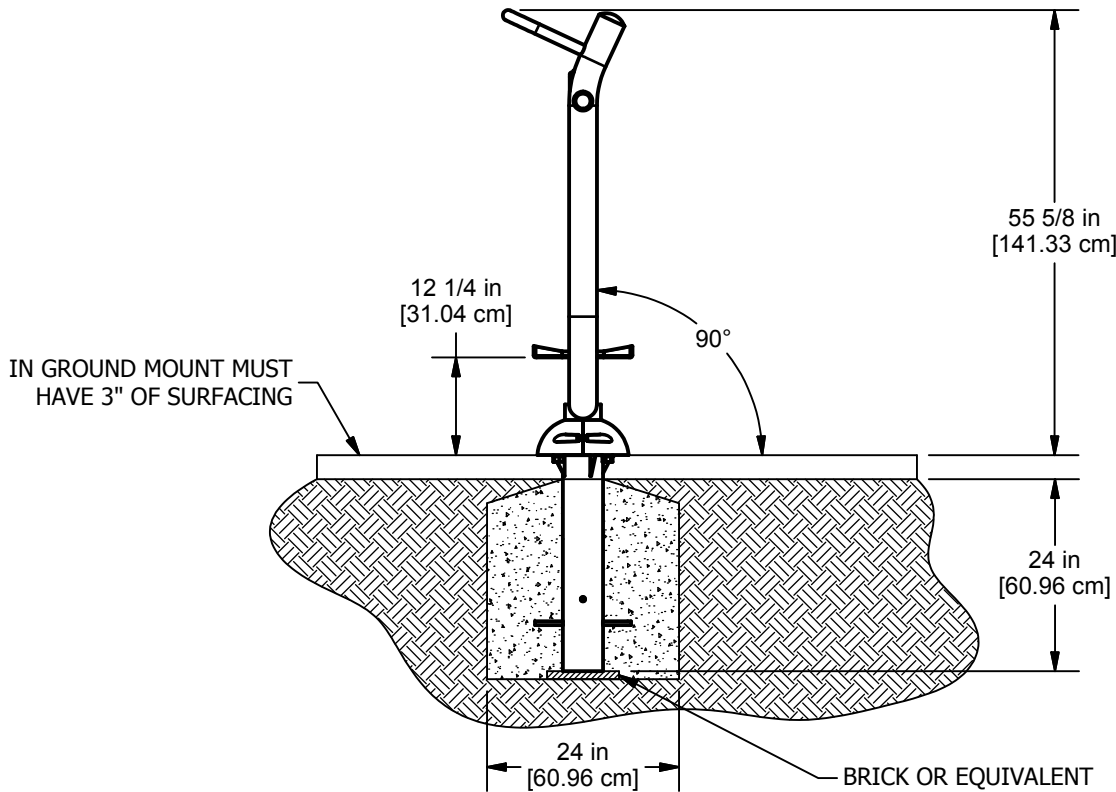
ELEVATION VIEW
UP164F (FOOTING)

UP164F CARDIO WALKER (FOOTING)
UP164I CARDIO WALKER (IN GROUND)
UP164S CARDIO WALKER (SURFACE)



PLAN VIEW

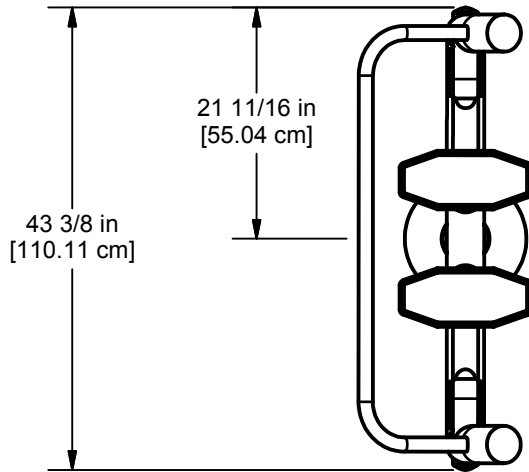
UP164I (IN GROUND)



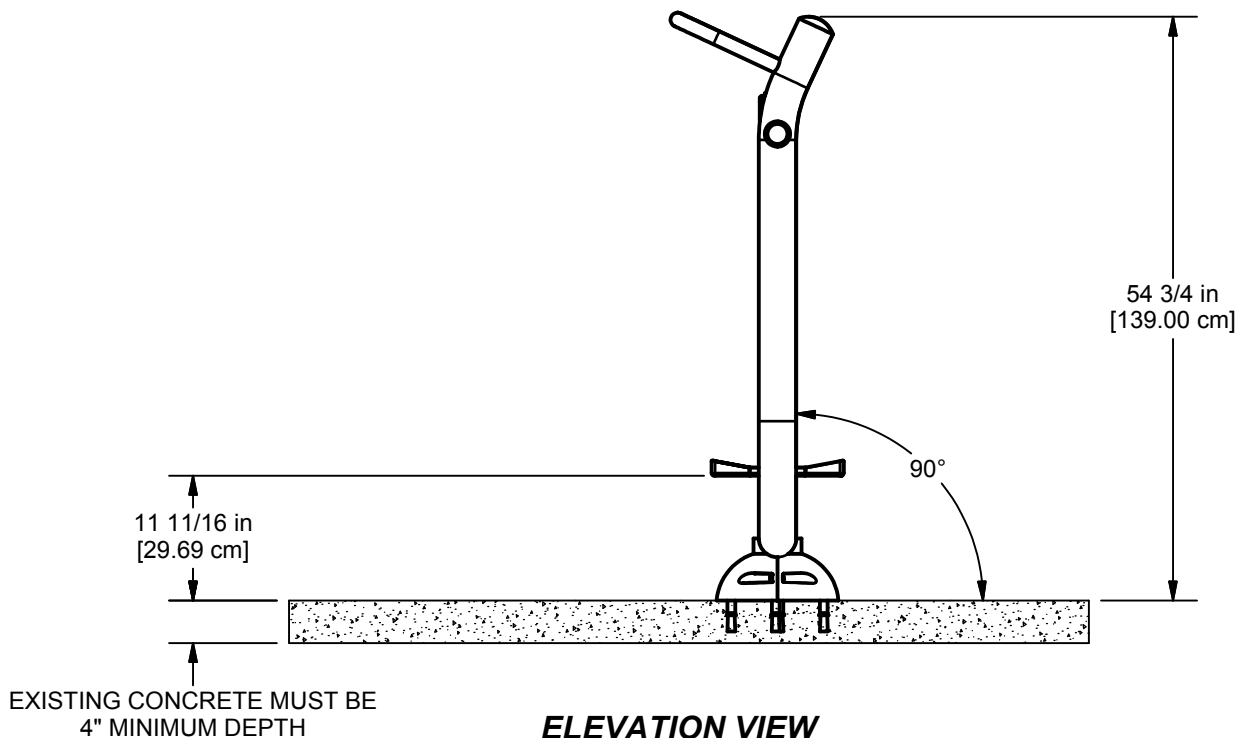
ELEVATION VIEW

UP164I (IN GROUND)

UP164F CARDIO WALKER (FOOTING)
UP164I CARDIO WALKER (IN GROUND)
UP164S CARDIO WALKER (SURFACE)



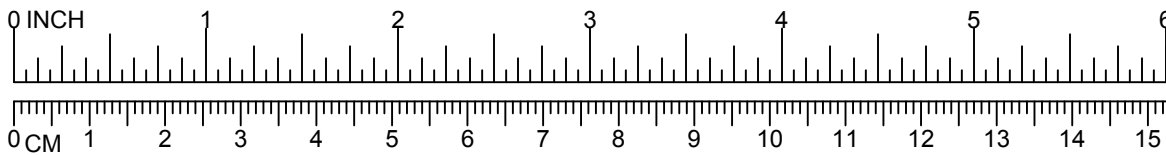
PLAN VIEW
UP164S (SURFACE)



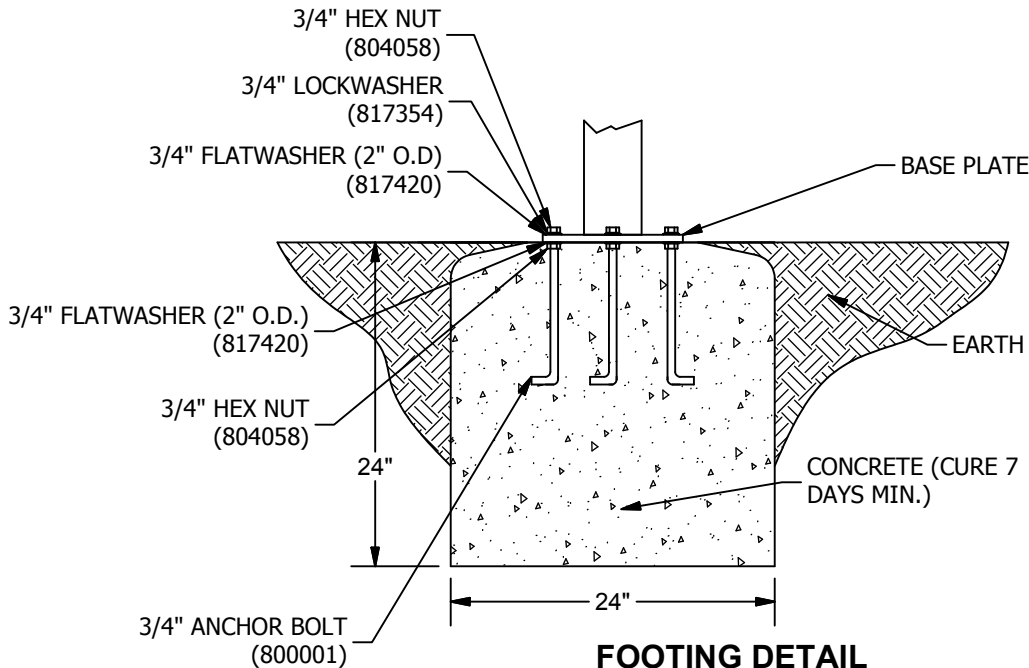
ELEVATION VIEW
UP164S (SURFACE)

Issued/Revised: 08/29/13





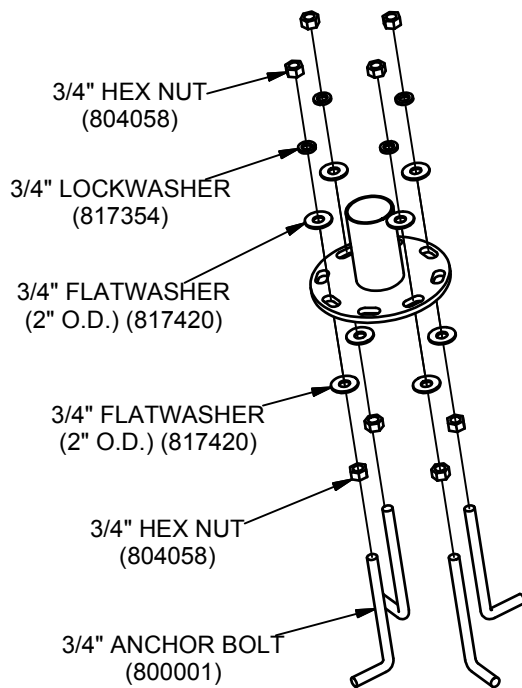
UP164F CARDIO WALKER (FOOTING)
UP164I CARDIO WALKER (IN GROUND)
UP164S CARDIO WALKER (SURFACE)



CONCRETE REQUIRED:
 .23 CUBIC YARDS
 .18 CUBIC METERS

NOTE:
 -SLOPED FOOTING IS A REQUIREMENT OF EUROPEAN STANDARD EN1176-1 ONLY.
 -SUGGESTED MINIMUM CONCRETE RATING 3000 PSI

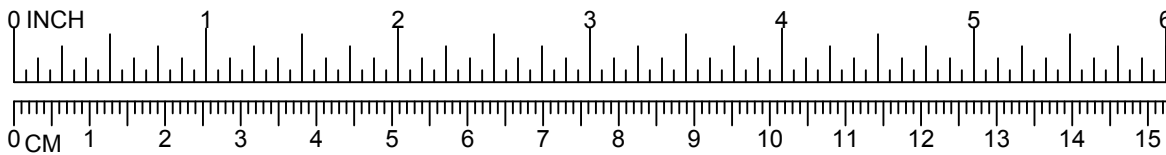
FOOTING DETAIL
UP164F (FOOTING)



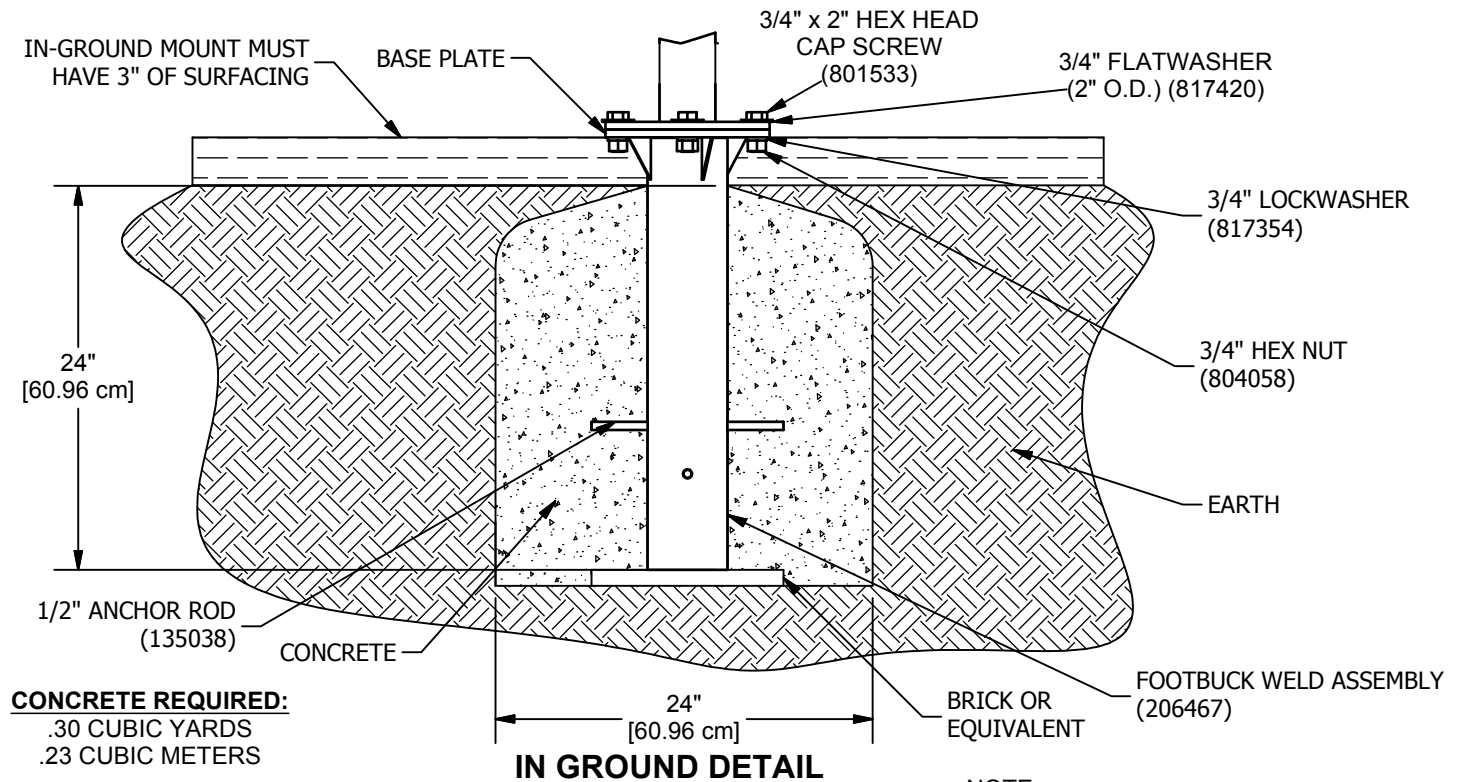
FOOTING ASSEMBLY DETAIL
UP164F (FOOTING)

Issued/Revised: 08/29/13

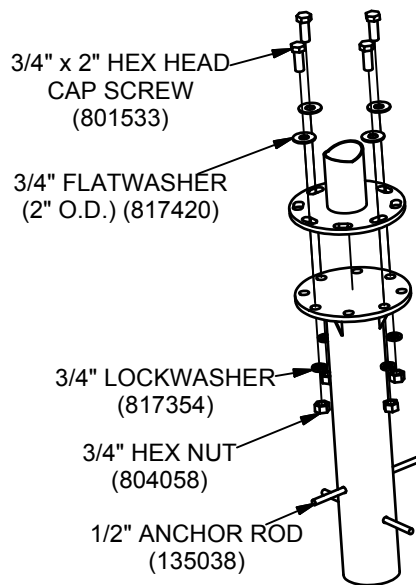




**UP164F CARDIO WALKER (FOOTING)
 UP164I CARDIO WALKER (IN GROUND)
 UP164S CARDIO WALKER (SURFACE)**



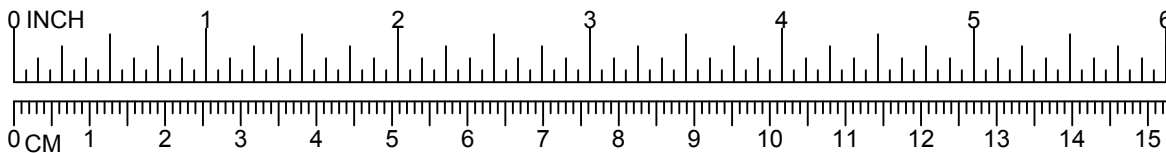
NOTE:
 -SLOPED FOOTING IS A REQUIREMENT OF EUROPEAN STANDARD EN1176-1 ONLY.
 -SUGGESTED MINIMUM CONCRETE RATING 3000 PSI.



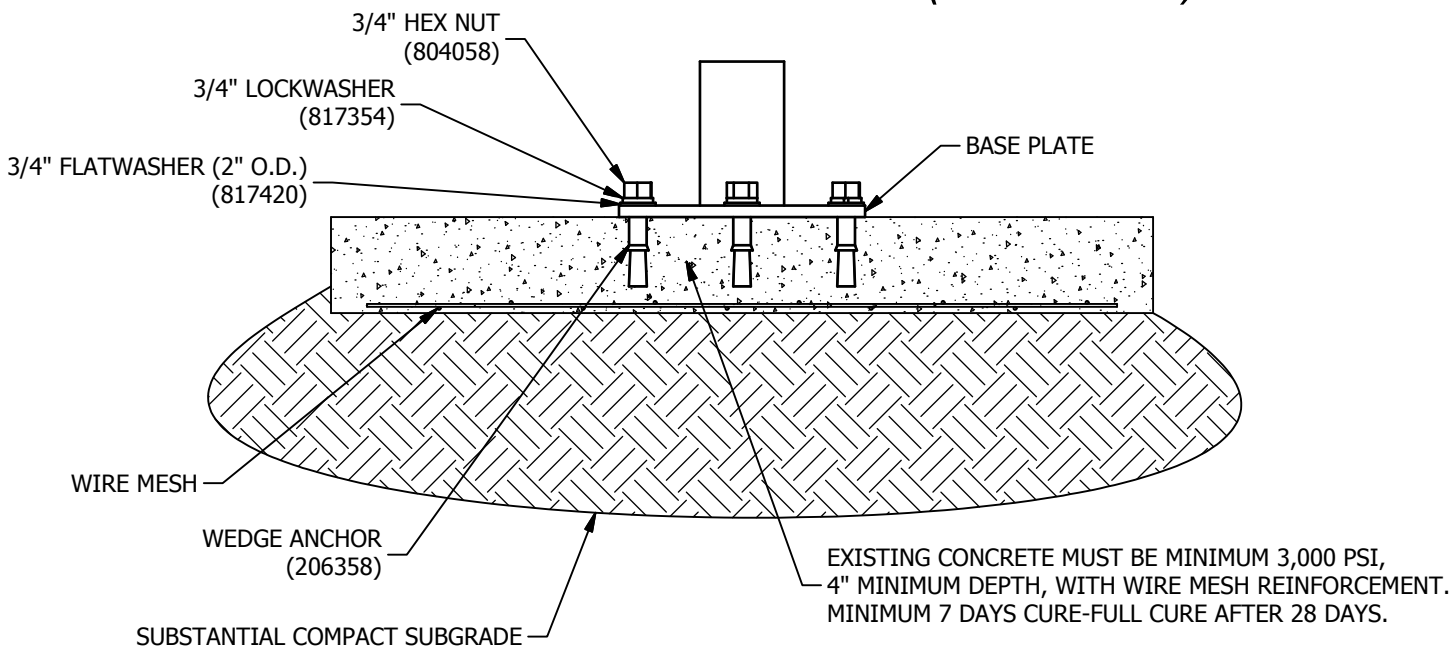
**IN GROUND ASSEMBLY DETAIL
 UP164I (IN GROUND)**

Issued/Revised: 08/29/13

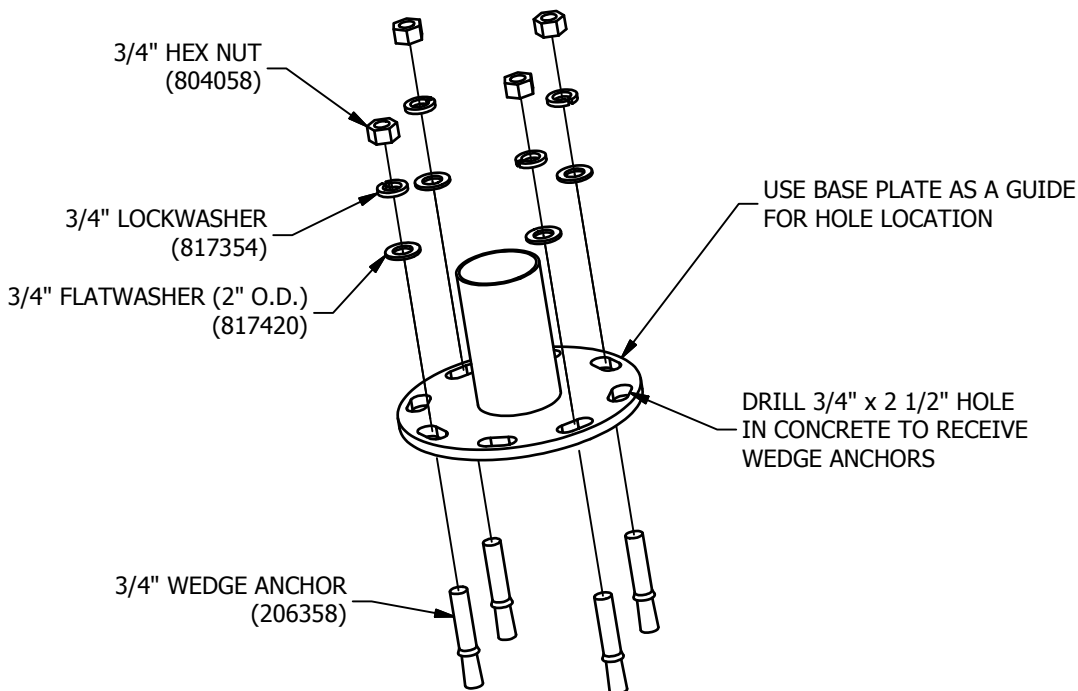




**UP164F CARDIO WALKER (FOOTING)
 UP164I CARDIO WALKER (IN GROUND)
 UP164S CARDIO WALKER (SURFACE)**



**SURFACE DETAIL
 UP164S (SURFACE)**

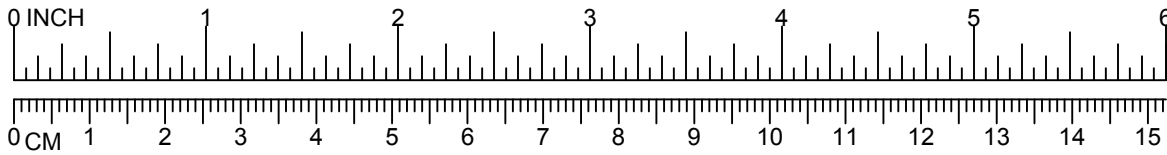


**SURFACE ASSEMBLY DETAIL
 UP164S (SURFACE)**

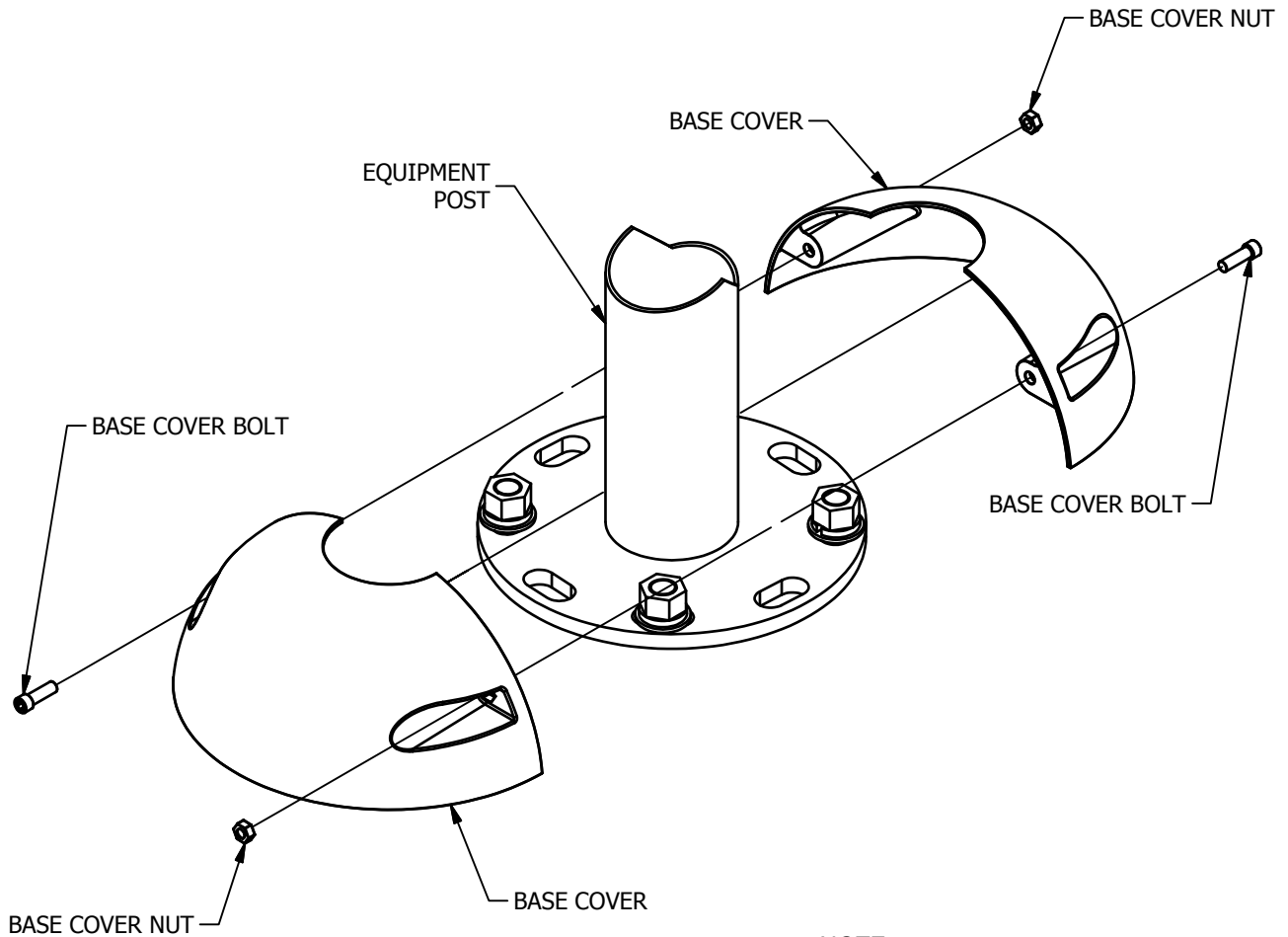
Issued/Revised: 08/29/13



A PLAYCORE Company



**UP164F CARDIO WALKER (FOOTING)
UP164I CARDIO WALKER (IN GROUND)
UP164S CARDIO WALKER (SURFACE)**



NOTE:
BASE COVER BOLT AND
BASE COVER NUT ARE INCLUDED
WITH BASE COVER.

BASE COVER DETAIL