

**UP168F SIT-UP/BACK EXTENSION (FOOTING)
UP168I SIT-UP/BACK EXTENSION (IN GROUND)
UP168S SIT-UP/BACK EXTENSION (SURFACE)**

Parts List				
DESCRIPTION	UP168F (FOOTING)	UP168I (IN GROUND)	UP168S (SURFACE)	PART NUMBER
SIT-UP / BACK EXTENSION	1	1	1	206522
BASE COVER	1	1	1	206699
FOOTBUCK WELD ASSEMBLY	0	1	0	206467
SUPPORT FOOTBUCK WELD ASSEMBLY	0	2	0	206759
HARDWARE COMPLETE	1	0	0	206829
HARDWARE COMPLETE	0	1	0	206830
HARDWARE COMPLETE	0	0	1	206828
1/2" ANCHOR ROD	0	2	0	135038*
3/4" x 2" HEX HEAD CAP SCREW	0	4	0	801533*
3/4" WEDGE ANCHOR	0	0	4	206358*
3/4" LOCKWASHER	4	4	4	817354*
1/2" x 4 1/4" WEDGE ANCHOR	0	0	4	800082*
1/2" ANCHOR BOLT	4	0	0	800000*
3/4" ANCHOR BOLT	4	0	0	800001*
1/2" x 2 1/2" Hex Bolt	0	4	0	801207*
1/2" HEX NUT	8	4	0	804055*
3/4" HEX NUT	8	4	0	804058*
1/2" LOCKWASHER	4	4	4	817342*
5/8" S.S. FLAT WASHER	8	4	0	817415*
3/4" FLATWASHER (2" O.D.)	8	4	0	817420*

Unless Otherwise Specified, All Units of Measure are Each

**Items listed below Hardware Complete line are included with Hardware Complete Number*

Warning: During Installation, Hardware And Small Parts Are Choking Hazards For Young Children. Store Unused Parts Appropriately Until Assembly Is Completed. Once Assembly Is Completed, Remove Any Unused Parts From The Play Environment And Dispose/Save Them In A Secure Location. Any bolt end protruding more than two full threads beyond the face of the nut causes risk of clothing entanglement.

Promptly cut-off flush, file smooth, and treat to prevent corrosion.

Note: Peen Tee-Nuts and Flatwashers to match radius of pipe after assembly is complete.

Note: Loctite (supplied by others) should be used on any non-patch hardware.

UP168F SIT-UP/BACK EXTENSION (FOOTING) UP168I SIT-UP/BACK EXTENSION (IN GROUND) UP168S SIT-UP/BACK EXTENSION (SURFACE)

SPECIFICATIONS:

BASE COVER: The Base Cover shall be constructed from aluminum and powder coated.

BODY PLATE: The Body Plate shall be constructed from stainless steel and powder coated.

BOLT CAP: The Bolt Cap shall be constructed from aluminum and powder coated.

CUSHION: The Cushion shall be injection molded polyurethane.

INSTRUCTIONS: The Instructions shall be constructed from aluminum produced by silk-screen printing.

MAIN PIPE: The main frame shall be an all welded assembly fabricated from SPP (carbon steel pipe) and dual phase steel plate.
The frame shall be powder coated.

PIPE CAP: The Pipe Cap shall be constructed from injection molded Nylon W6.

POST CAP: The Post Cap shall be constructed from injection molded Polyethylene.

HARDWARE: All nuts, bolts, screws, and lock washers used in the assembly shall be stainless steel, yellow dichromate plated steel, blue-coat plated steel, mechanically galvanized or powder coated/yellow dichromate plated steel. All primary fasteners shall be 304 alloy stainless steel. Fasteners with yellow dichromate treatment have an electro-deposited, 99.9% pure zinc substrate applied from a specially formulated solution sealed with a yellow dichromate top coat designed to work in conjunction with the zinc plating.

UP168F SIT-UP/BACK EXTENSION (FOOTING) UP168I SIT-UP/BACK EXTENSION (IN GROUND) UP168S SIT-UP/BACK EXTENSION (SURFACE)

NOTE: Do not overtighten bolts. To overtighten may cause buckling or dimpling of some parts.

NOTE: Read installation instructions thoroughly before starting assembly. Pour concrete only after final assembly is completed. Bracing material is required during assembly.

NOTE: Assembly and leveling times will be greatly reduced if a transit is used to set location and depth of ground holes.

INSTALLATION INSTRUCTIONS FOR UP168F (FOOTING):

1. Attach Sit up & Back Extension Assembly to Main Post Assembly using Nut Cap (M12), Nylon Nut (M12), Lockwasher (M12), Flatwasher (M12), Cap Washer (M12), and Hexagon Head Bolt (M 12x120). See Sit-Up/Back Extension Assembly Detail.
2. Dig holes or drill holes according to Plan View and Elevation View. **NOTE:** Due to extremes in weather and soil conditions, hole size may have to be increased to meet local conditions.
3. Fill holes with concrete. While the concrete is still soft, yet firm enough to support the Sit-Up/Back Extension, Place Anchor Bolts of the Sit-Up/Back Extension in position. See Footing Detail. **NOTE:** Use Sit-Up/Back Extension as a template for Anchor Bolt location, then remove Sit-Up/Back Extension.

IMPORTANT: DO NOT MOUNT THE SIT-UP/BACK EXTENSION TO THE ANCHOR BOLTS FOR AT LEAST 7 DAYS.

4. After concrete has cured and set for a minimum of 7 Days, attach Sit-Up/Back Extension to 3/4" Anchor Bolt using 3/4" Hex Nut, 3/4" Lock Washer, and 3/4" Flat Washer (2" O.D.). See Footing Assembly Detail.
5. Attach Supports to 1/2" Anchor Bolt using 1/2" Hex Nut, 1/2" Lockwasher, and 5/8" S.S. Flat Washer. See Footing Support Detail.
6. Attach Base Cover to Equipment Post using Base Cover Nut and Base Cover Bolt included with Base Cover. See Base Cover Detail.

INSTALLATION INSTRUCTIONS FOR UP168I (IN GROUND):

1. Attach Sit up & Back Extension Assembly to Main Post Assembly using Nut Cap (M12), Nylon Nut (M12), Lockwasher (M12), Flatwasher (M12), Cap Washer (M12), and Hexagon Head Bolt (M 12x120). See Sit-Up/Back Extension Assembly Detail.
2. Dig holes or drill holes according to Plan View and Elevation View. **NOTE:** Due to extremes in weather and soil conditions, hole size may have to be increased to meet local conditions.
3. Attach the Footbuck Weld Assembly to the Sit-Up/Back Extension using 3/4" Hex Nut, 3/4" Lockwasher, 3/4" Flatwasher (2" O.D.), 3/4" x 2" Hex Head Cap Screw. See In-Ground Assembly Detail.
4. Attach the Support Weld Assembly to the Sit-Up/Back Extension using 1/2" Hex Nut, 1/2" Lockwasher, 5/8" S.S. Flat Washer, and 1/2" x 2 1/2" Hex Bolt. See In Ground Support Assembly Detail.
5. Place Sit-Up/Back Extension into hole making sure it rests on the brick. See In-Ground Detail.
6. Level Sit-Up/Back Extension using sway bracing.
7. Pour concrete according to the Plan View and Elevation View. Allow concrete to cure for a minimum of 7 days.
8. Attach Base Cover to Equipment Post using Base Cover Nut and Base Cover Bolt included with Base Cover. See Base Cover Detail.

UP168F SIT-UP/BACK EXTENSION (FOOTING) UP168I SIT-UP/BACK EXTENSION (IN GROUND) UP168S SIT-UP/BACK EXTENSION (SURFACE)

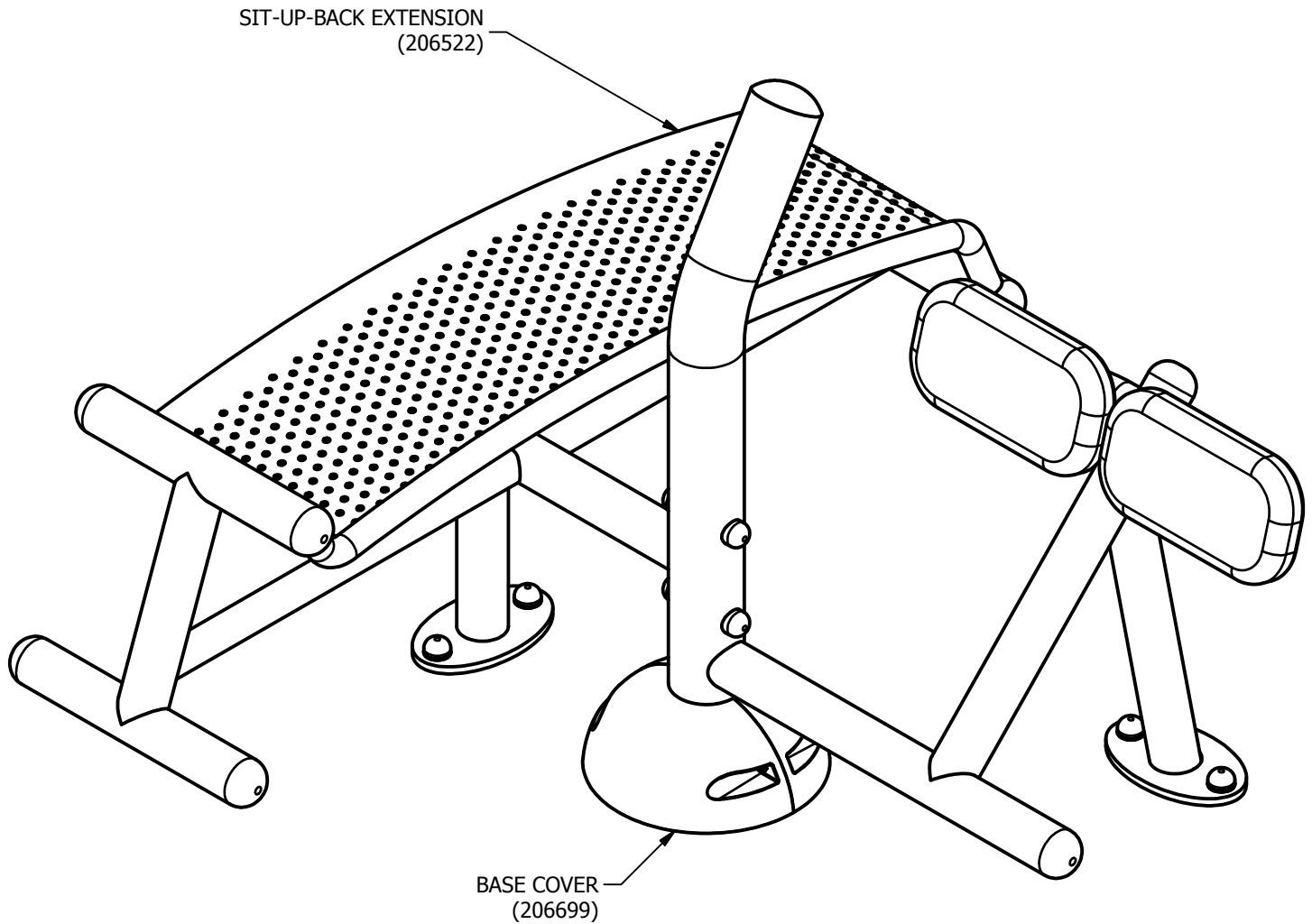
INSTALLATION INSTRUCTIONS FOR UP168S (SURFACE):

1. Attach Sit-up/Back Extension Assembly to Main Post Assembly using Nut Cap (M12), Nylon Nut (M12), Lockwasher (M12), Flatwasher (M12), Cap Washer (M12), and Hexagon Head Bolt (M 12x120). See Sit Up & Back Extension Assembly Detail.
2. Mark correct location of holes for Wedge Anchor using the Base Plates as a guide.
3. Drill 3/4" x 2 1/2" holes in concrete for Wedge Anchors. See Surface Detail.
4. Drill 1/2" x 2 1/2" holes in concrete for Support Wedge Anchors. See Support Surface Detail.
5. Insert Wedge Anchors and secure Sit-Up/Back Extension with 3/4" Flatwasher (2" O.D.), 3/4" Lockwasher, and 3/4" Hex Nut. See Surface Assembly Detail.
6. Insert Wedge Anchors and secure Supports with 1/2" Flatwasher, 1/2" Lockwasher, and 1/2" Hex Nut. See Surface Support Assembly Detail.
7. Attach Sit-up/Back Extension Assembly to Main Post Assembly using Nut Cap (M12), Nylon Nut (M12), Lockwasher (M12), Flatwasher (M12), Cap Washer (M12), and Hexagon Head Bolt (M 12x120). See Sit Up & Back Extension Assembly Detail.

MAINTENANCE PROCEDURE:

Periodically check hardware for tightness, and tighten as necessary. Always check all parts for breakage or wear, and immediately put equipment out of service until any faulty parts found are repaired or replaced. Also Check all metal parts for rust, paint loss and touch-up if necessary with paint. Check for welded areas and verify integrity. Check periodically resilient surfacing for appropriate depth and remove extraneous materials that could cause injury, infection, or disease. Maintain detailed installation, inspection, maintenance, and repair records for each public-use playground equipment.

UP168F SIT-UP/BACK EXTENSION (FOOTING)
UP168I SIT-UP/BACK EXTENSION (IN GROUND)
UP168S SIT-UP/BACK EXTENSION (SURFACE)



FINISHED ASSEMBLY

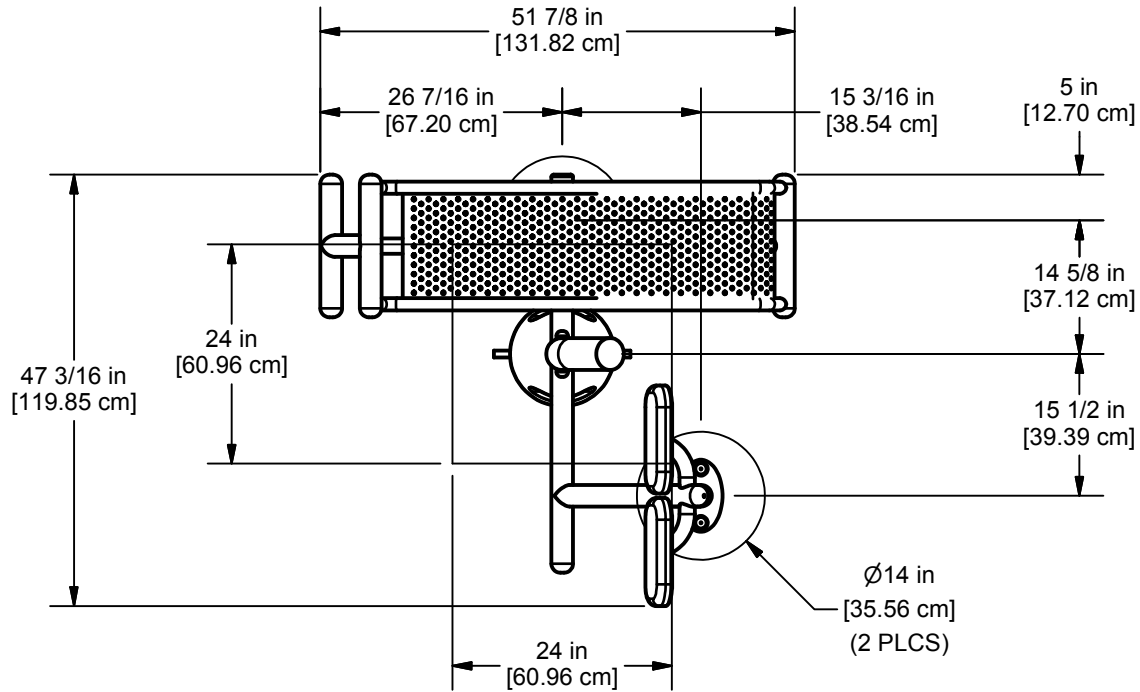
Issued/Revised: 08/29/13



800.458.5872

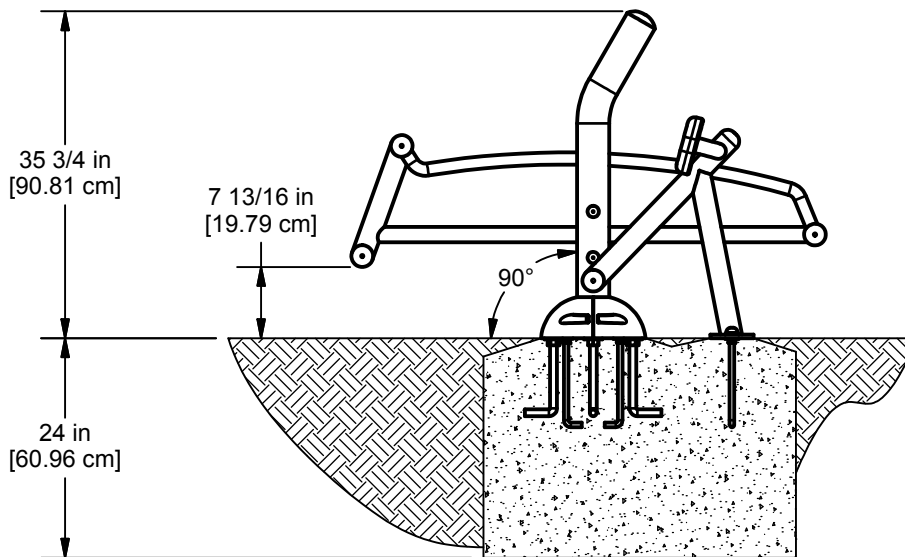
www.actionfitoutdoors.com

UP168F SIT-UP/BACK EXTENSION (FOOTING)
UP168I SIT-UP/BACK EXTENSION (IN GROUND)
UP168S SIT-UP/BACK EXTENSION (SURFACE)



PLAN VIEW

UP168F (FOOTING)



ELEVATION VIEW

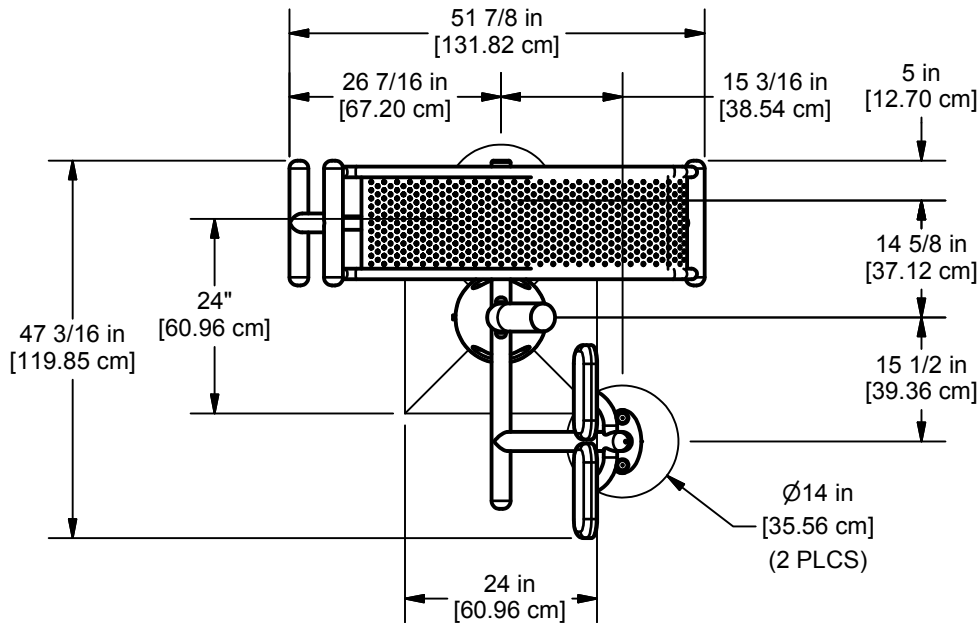
UP168F (FOOTING)

Issued/Revised: 08/29/13



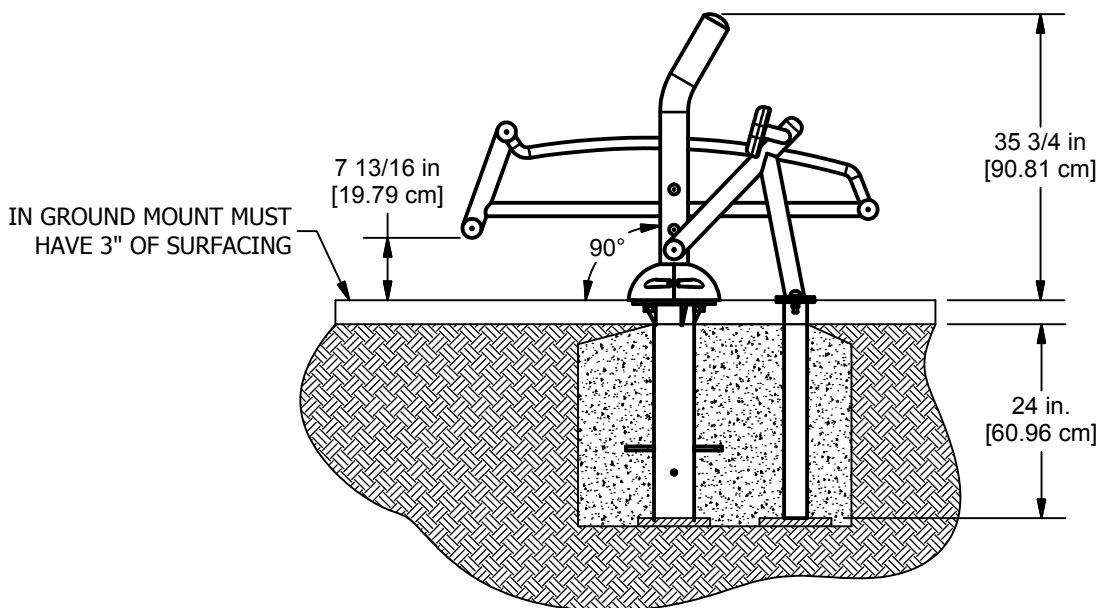
A PLAYCORE Company

**UP168F SIT-UP/BACK EXTENSION (FOOTING)
 UP168I SIT-UP/BACK EXTENSION (IN GROUND)
 UP168S SIT-UP/BACK EXTENSION (SURFACE)**



PLAN VIEW

UP168I (IN GROUND)



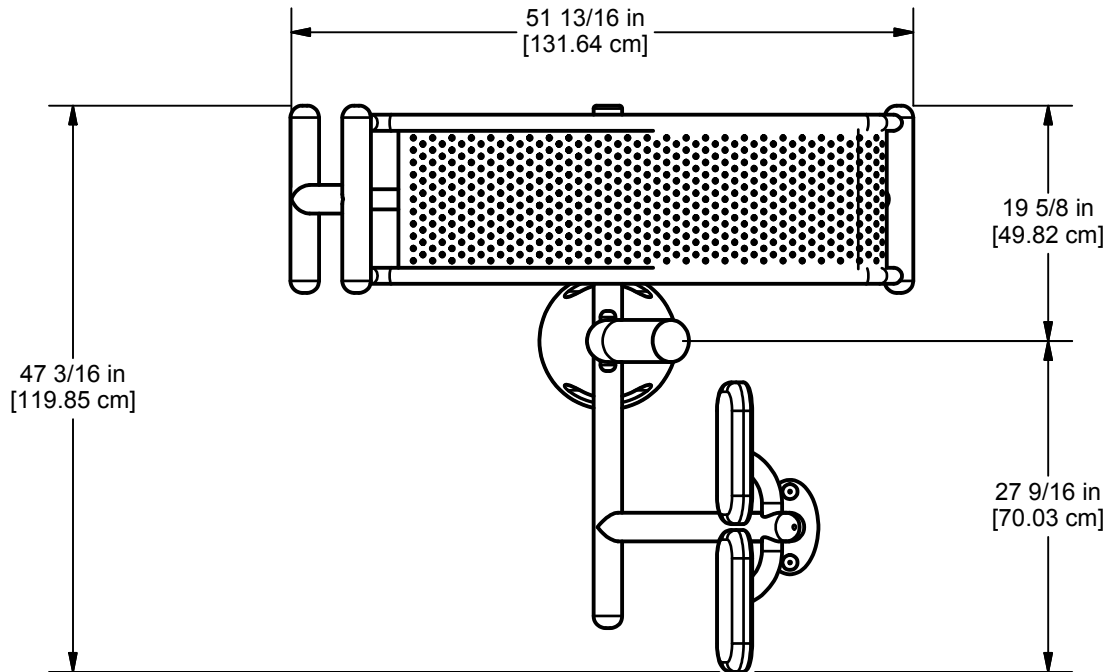
ELEVATION VIEW

UP168I (IN GROUND)

Issued/Revised: 08/29/13

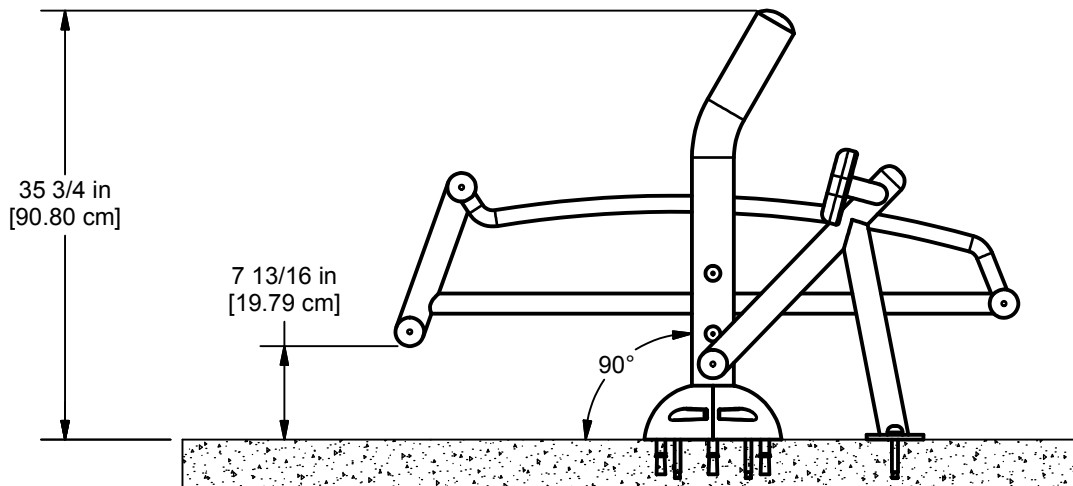


UP168F SIT-UP/BACK EXTENSION (FOOTING)
UP168I SIT-UP/BACK EXTENSION (IN GROUND)
UP168S SIT-UP/BACK EXTENSION (SURFACE)



PLAN VIEW

UP168S (SURFACE)



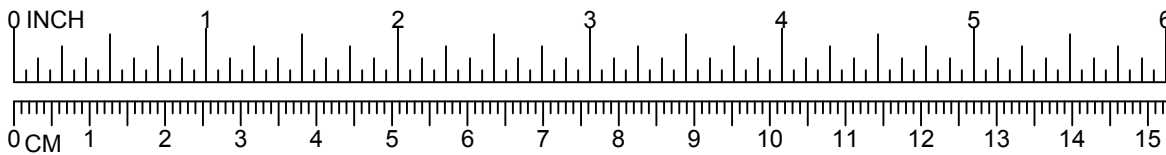
EXISTING CONCRETE MUST BE
4" MINIMUM DEPTH

ELEVATION VIEW

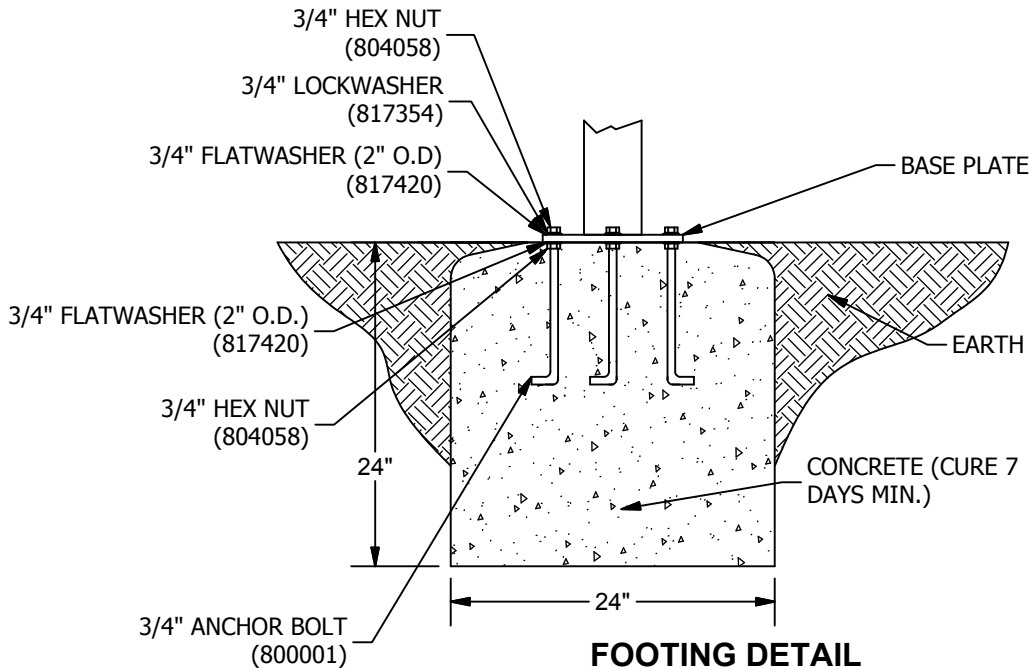
UP168S (SURFACE)

Issued/Revised: 08/29/13





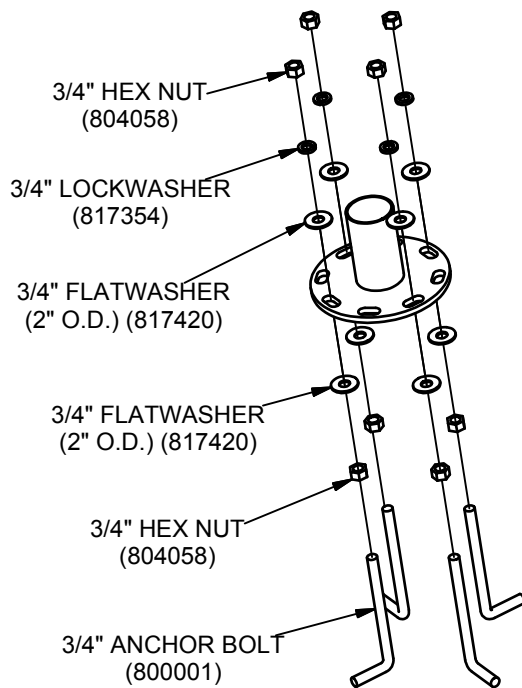
UP168F SIT-UP/BACK EXTENSION (FOOTING) UP168I SIT-UP/BACK EXTENSION (IN GROUND) UP168S SIT-UP/BACK EXTENSION (SURFACE)



CONCRETE REQUIRED:
 .23 CUBIC YARDS
 .18 CUBIC METERS

NOTE:
 -SLOPED FOOTING IS A REQUIREMENT OF EUROPEAN STANDARD EN1176-1 ONLY.
 -SUGGESTED MINIMUM CONCRETE RATING 3000 PSI

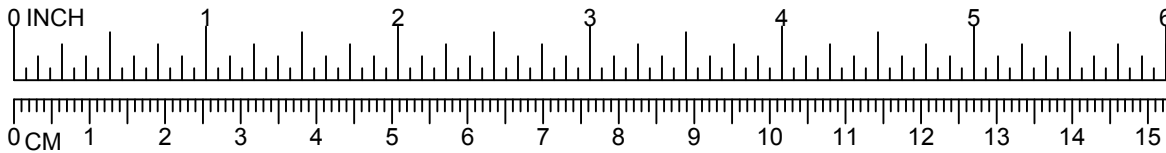
**FOOTING DETAIL
 UP168F (FOOTING)**



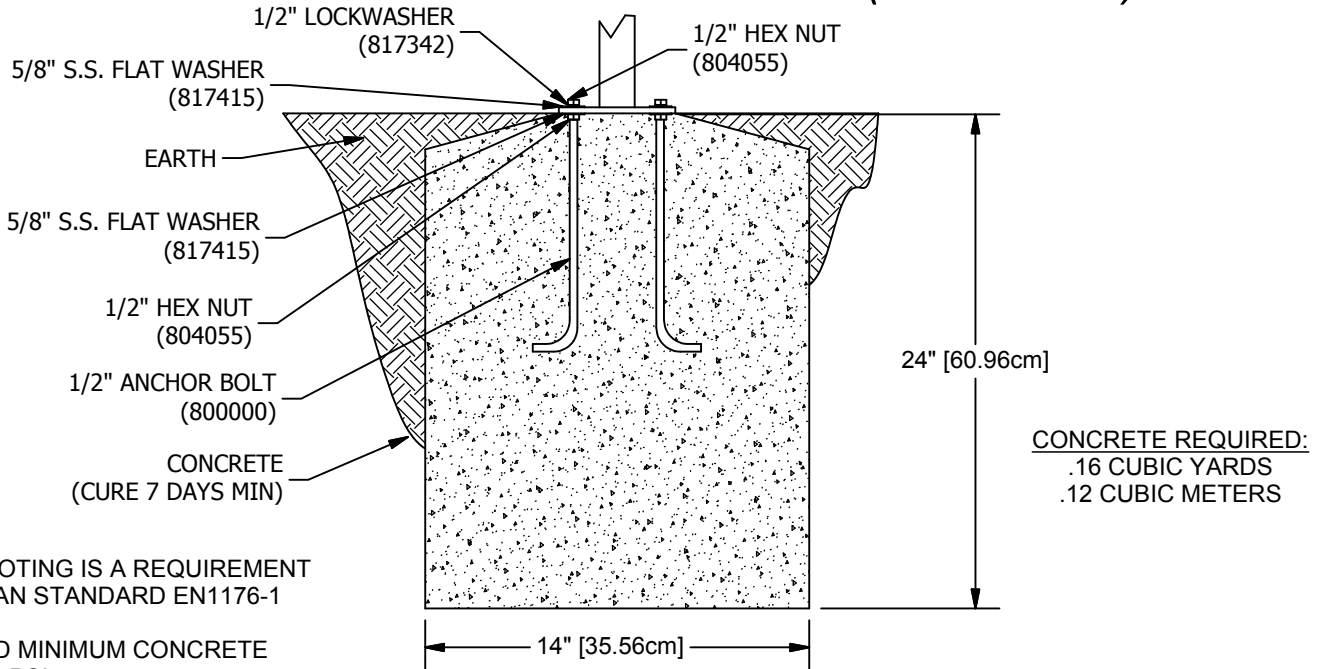
**FOOTING ASSEMBLY DETAIL
 UP168F (FOOTING)**

Issued/Revised: 08/29/13





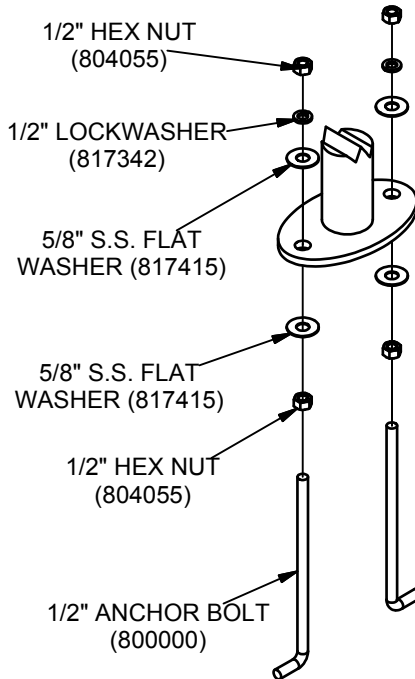
**UP168F SIT-UP/BACK EXTENSION (FOOTING)
 UP168I SIT-UP/BACK EXTENSION (IN GROUND)
 UP168S SIT-UP/BACK EXTENSION (SURFACE)**



NOTE:
 -SLOPED FOOTING IS A REQUIREMENT OF EUROPEAN STANDARD EN1176-1 ONLY.
 -SUGGESTED MINIMUM CONCRETE RATING 3000 PSI

FOOTING SUPPORT DETAIL

UP168F (FOOTING)

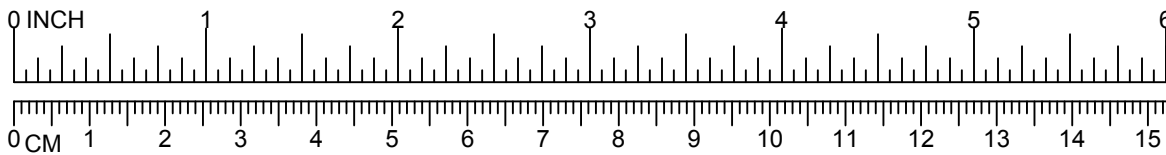


FOOTING SUPPORT ASSEMBLY DETAIL

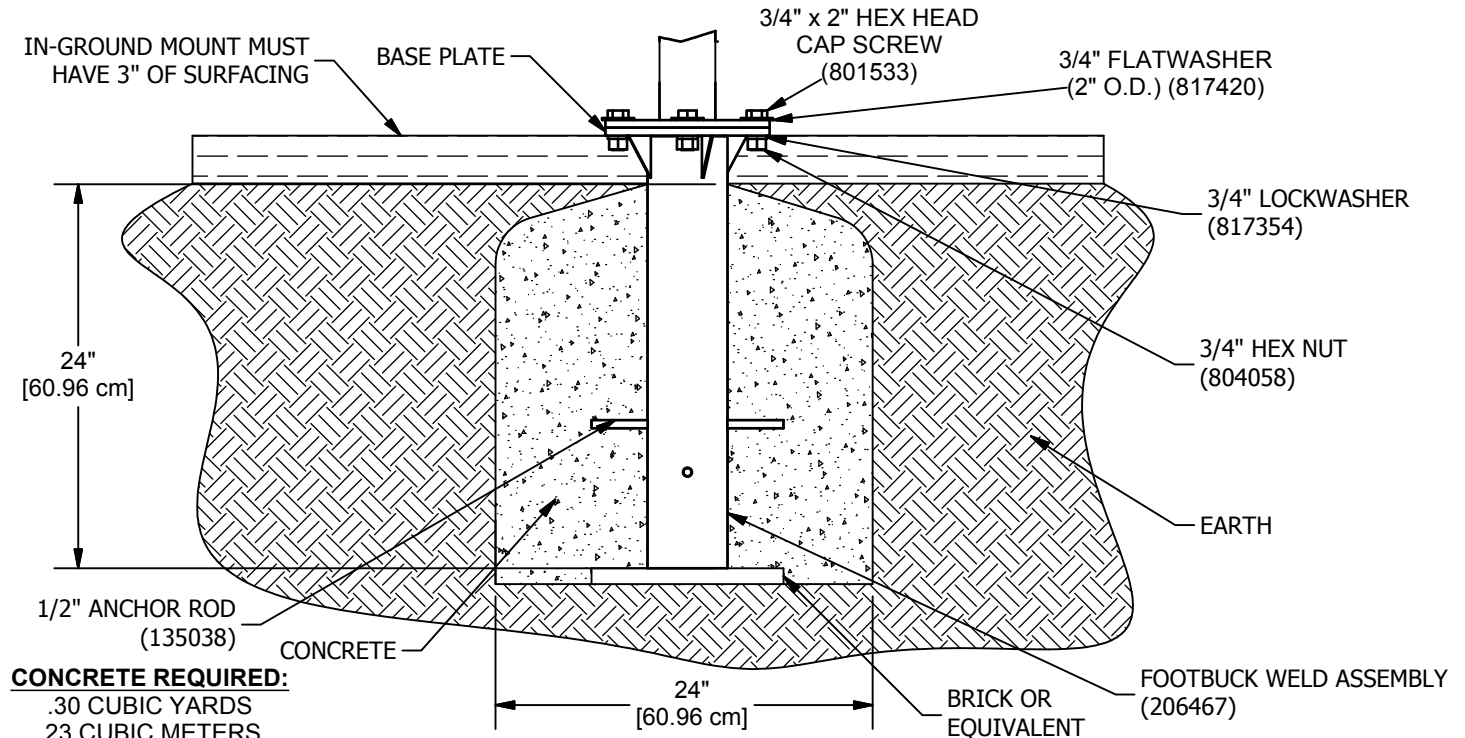
UP168F (FOOTING)

Issued/Revised: 08/29/13



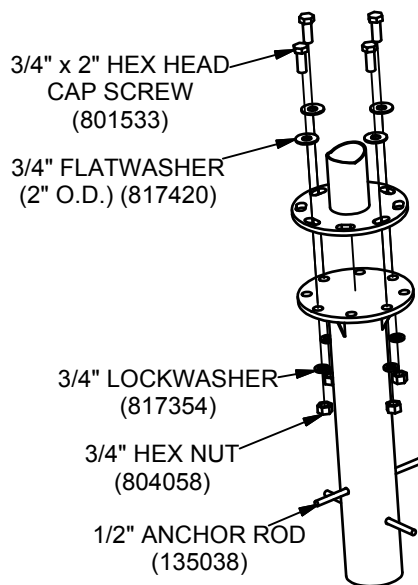


UP168F SIT-UP/BACK EXTENSION (FOOTING) UP168I SIT-UP/BACK EXTENSION (IN GROUND) UP168S SIT-UP/BACK EXTENSION (SURFACE)



**IN GROUND DETAIL
 UP168I (IN GROUND)**

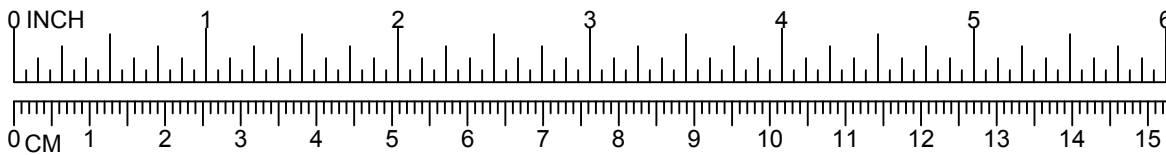
NOTE:
 -SLOPED FOOTING IS A REQUIREMENT OF EUROPEAN STANDARD EN1176-1 ONLY.
 -SUGGESTED MINIMUM CONCRETE RATING 3000 PSI.



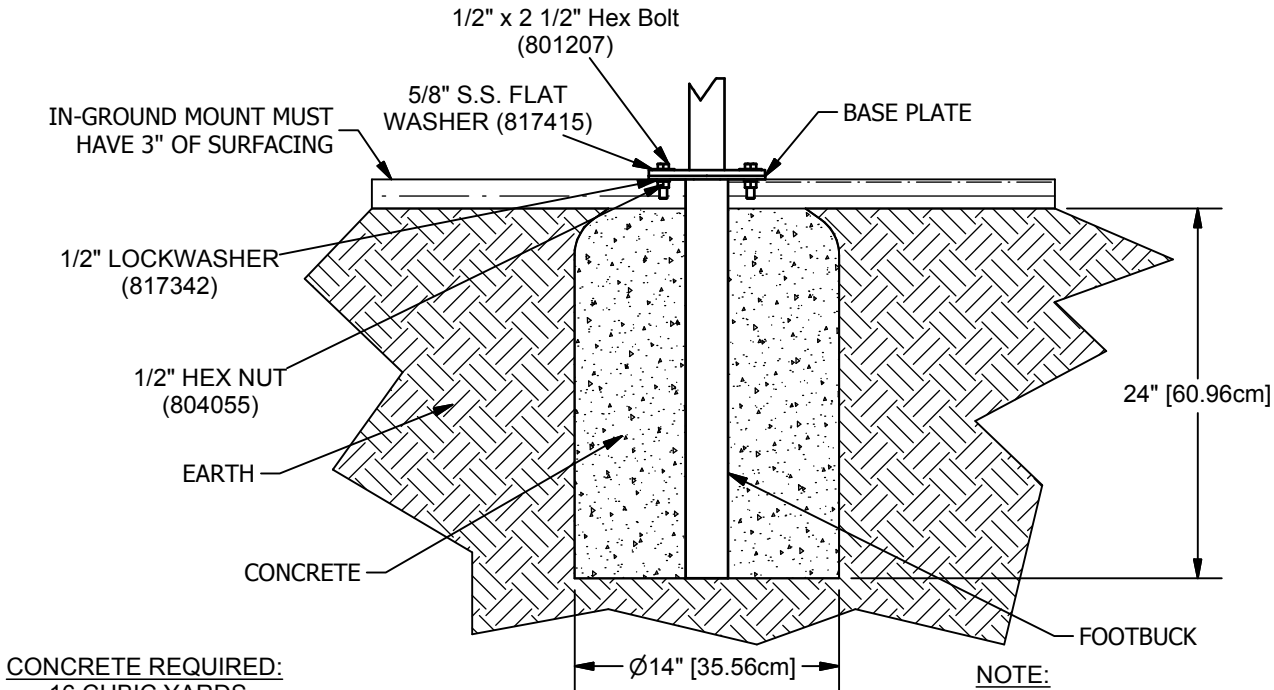
**IN GROUND ASSEMBLY DETAIL
 UP168I (IN GROUND)**

Issued/Revised: 08/29/13





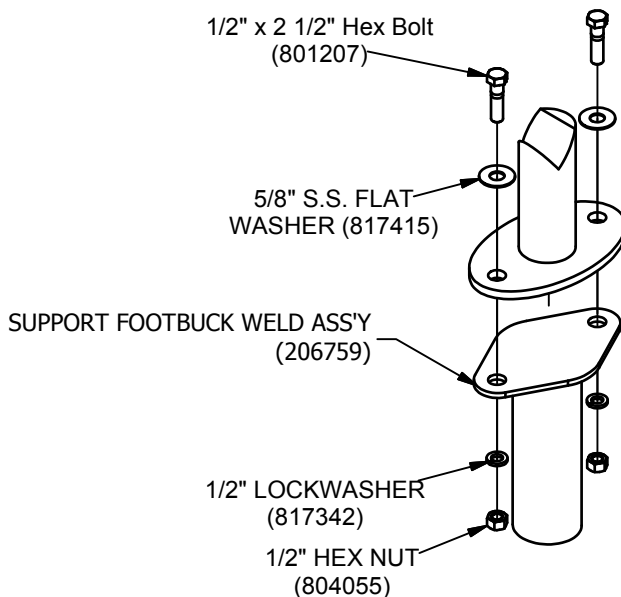
**UP168F SIT-UP/BACK EXTENSION (FOOTING)
 UP168I SIT-UP/BACK EXTENSION (IN GROUND)
 UP168S SIT-UP/BACK EXTENSION (SURFACE)**



CONCRETE REQUIRED:
 .16 CUBIC YARDS
 .12 CUBIC METERS

**IN GROUND SUPPORT DETAIL
 UP168I (IN GROUND)**

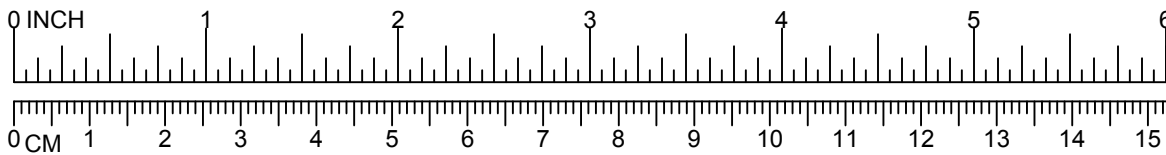
NOTE:
 -SLOPED FOOTING IS A REQUIREMENT
 OF EUROPEAN STANDARD EN1176-1
 ONLY.
 -SUGGESTED MINIMUM CONCRETE
 RATING 3000 PSI.



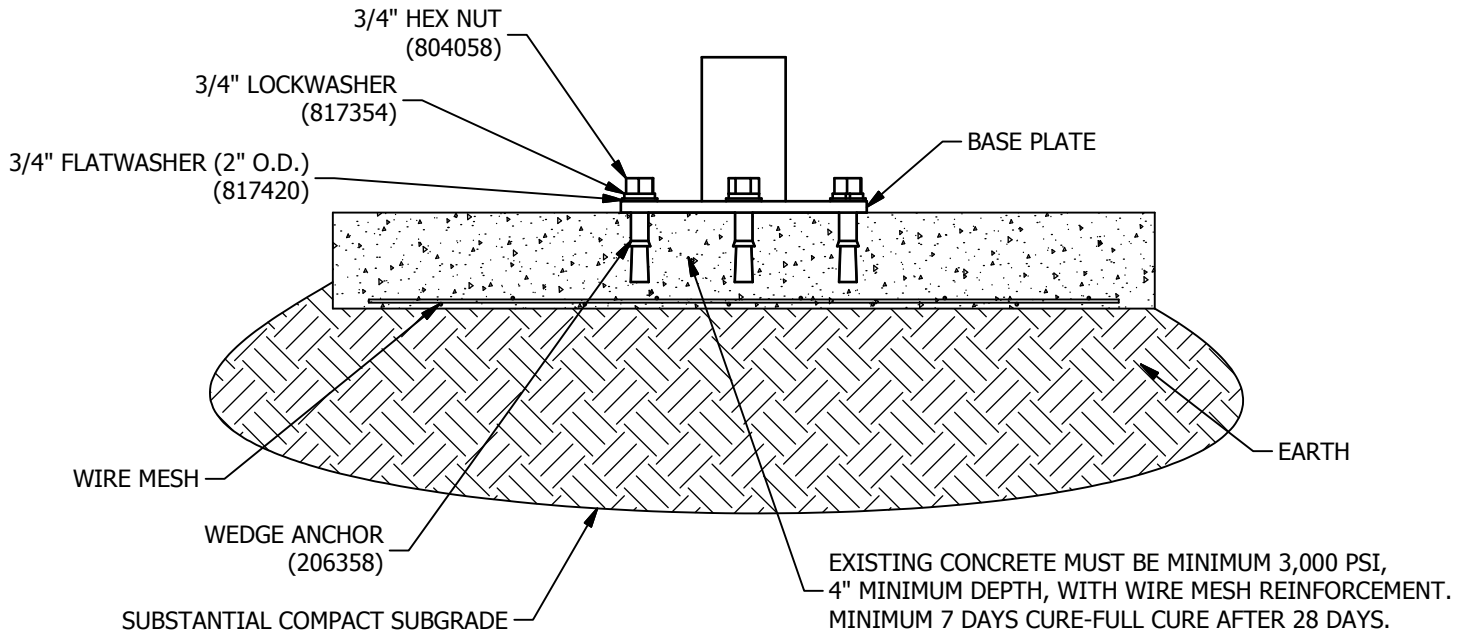
**IN GROUND SUPPORT ASSEMBLY DETAIL
 UP168I (IN GROUND)**

Issued/Revised: 08/29/13

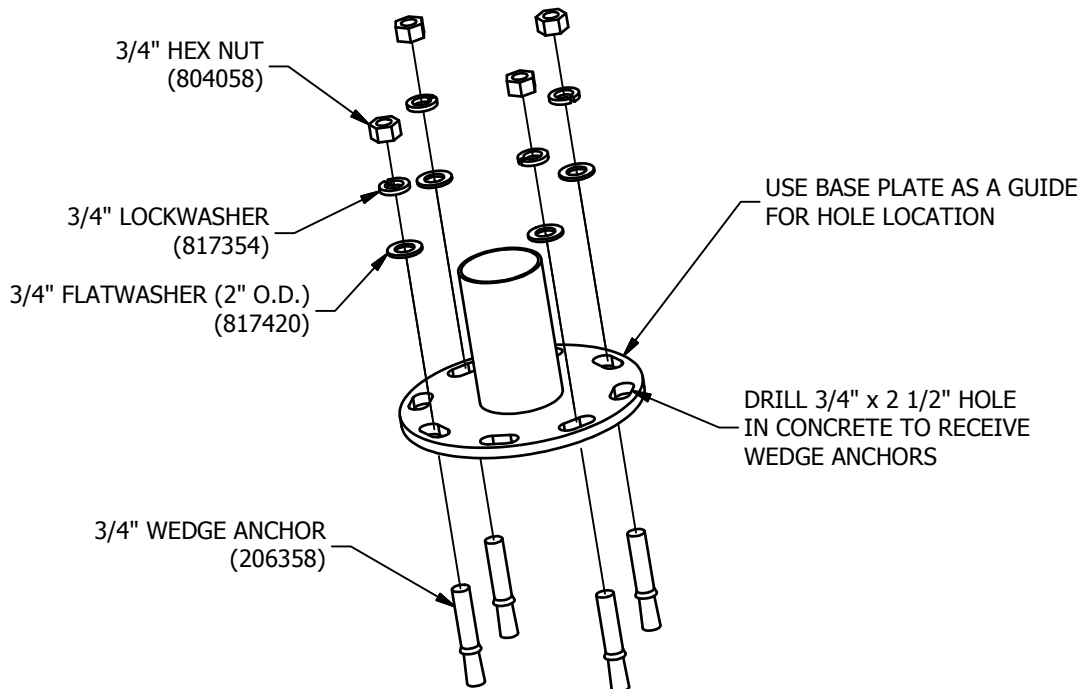




**UP168F SIT-UP/BACK EXTENSION (FOOTING)
 UP168I SIT-UP/BACK EXTENSION (IN GROUND)
 UP168S SIT-UP/BACK EXTENSION (SURFACE)**



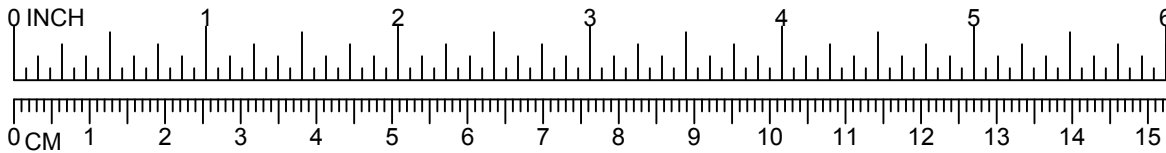
**SURFACE DETAIL
 UP168S (SURFACE)**



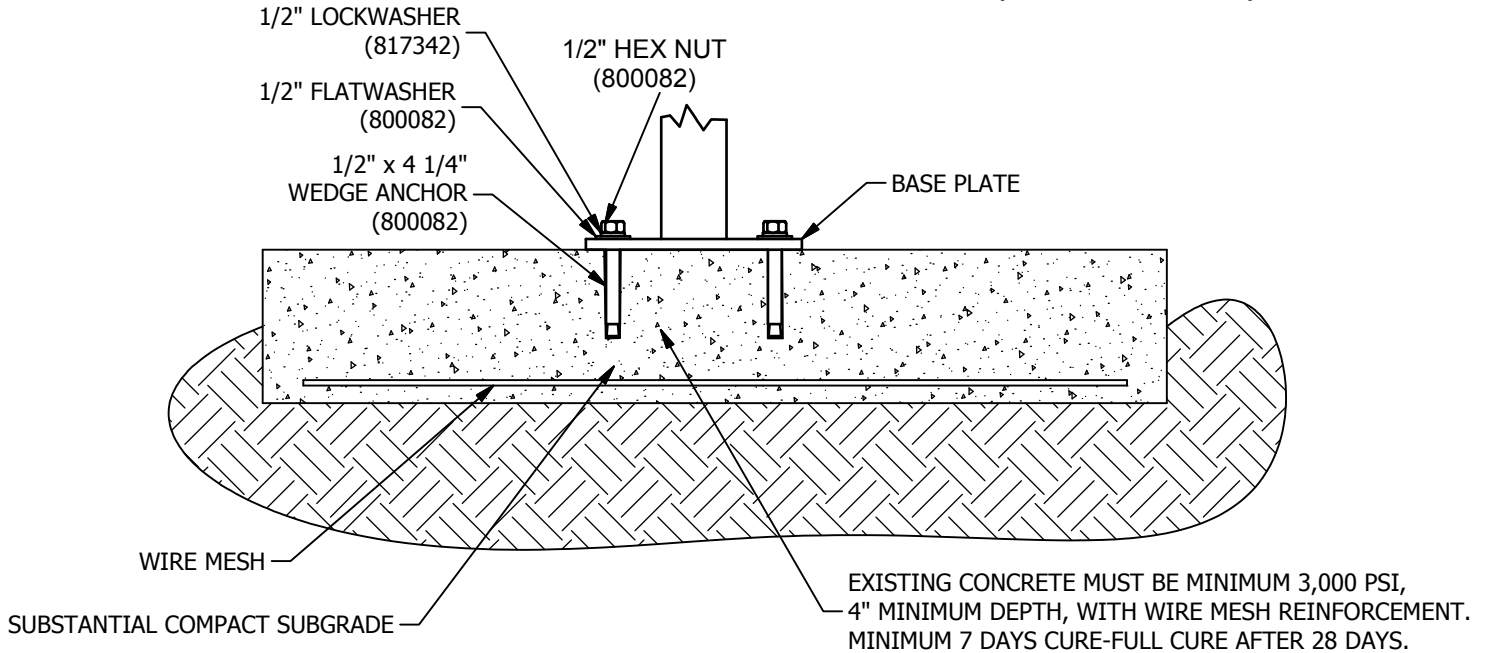
**SURFACE ASSEMBLY DETAIL
 UP168S (SURFACE)**

Issued/Revised: 08/29/13

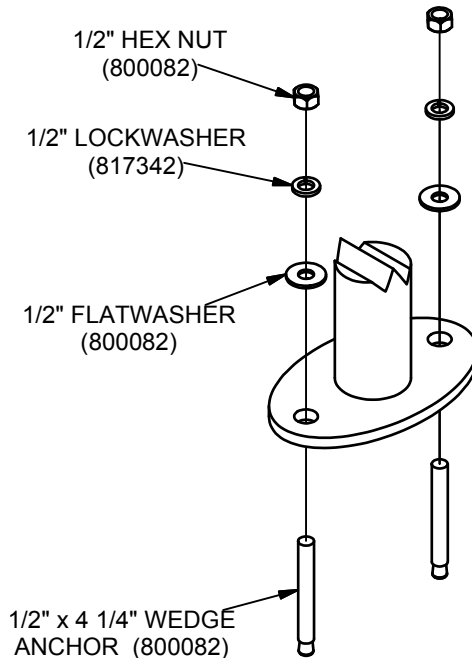




**UP168F SIT-UP/BACK EXTENSION (FOOTING)
 UP168I SIT-UP/BACK EXTENSION (IN GROUND)
 UP168S SIT-UP/BACK EXTENSION (SURFACE)**



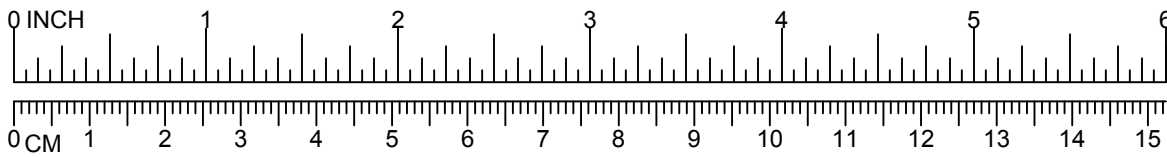
**SURFACE SUPPORT DETAIL
 UP168S (SURFACE)**



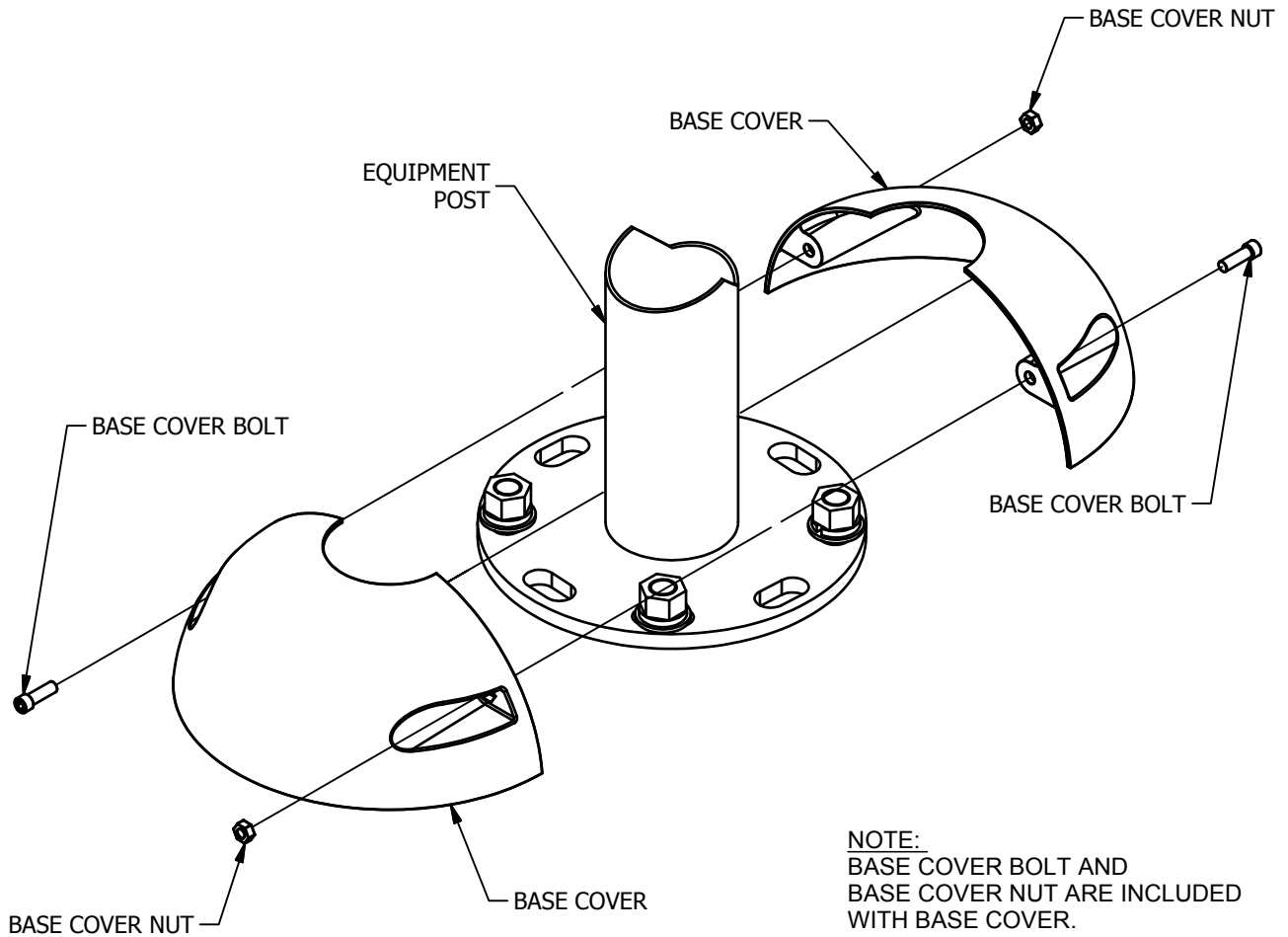
**SURFACE SUPPORT ASSEMBLY DETAIL
 UP168S (SURFACE)**

Issued/Revised: 08/29/13



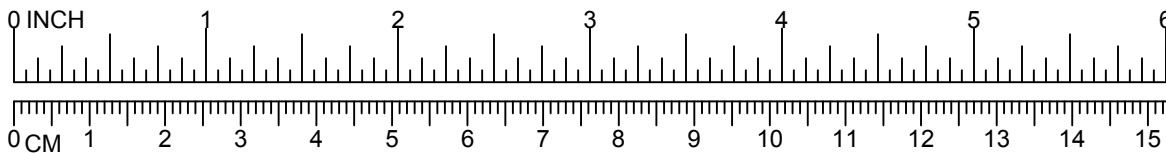


**UP168F SIT-UP/BACK EXTENSION (FOOTING)
UP168I SIT-UP/BACK EXTENSION (IN GROUND)
UP168S SIT-UP/BACK EXTENSION (SURFACE)**

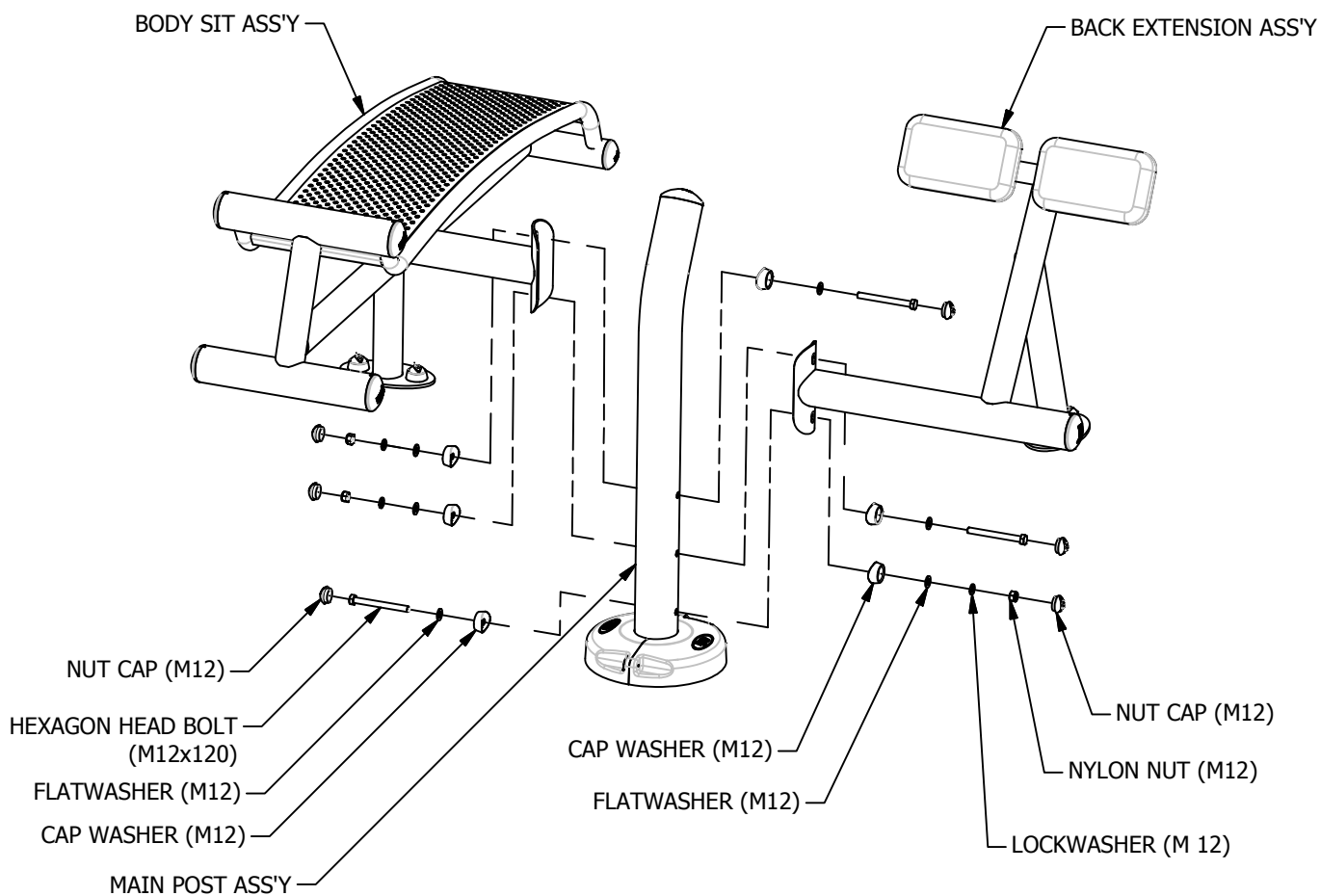


NOTE:
BASE COVER BOLT AND
BASE COVER NUT ARE INCLUDED
WITH BASE COVER.

BASE COVER DETAIL



**UP168F SIT-UP/BACK EXTENSION (FOOTING)
 UP168I SIT-UP/BACK EXTENSION (IN GROUND)
 UP168S SIT-UP/BACK EXTENSION (SURFACE)**



**BODY SIT UP & BACK EXTENSION
ASSEMBLY DETAIL**

Issued/Revised: 08/29/13



800.458.5872

www.ultraplay.com