

The logo features the word "Kraus" in a white, serif font on a black background. The letter "K" is stylized with a vertical line through its center. Above the "a" are three small, white, teardrop-shaped icons. A registered trademark symbol (®) is located to the upper right of the "s".

Kraus[®]

INSTALLATION MANUAL

Coda 4" Centerset Basin Faucet

FUS-13802

Thank you for your purchase

We would like to take this opportunity to thank you for choosing Kraus. We hope that you are completely satisfied with your purchase, and enjoy it for years to come. If you have any questions, or require technical assistance, please contact us at 800.775.0703 and one of our representatives will be happy to help.

For more information about Kraus products, please visit:

www.kraususa.com

In order to activate your warranty and get faster access to customer support, please register your new Kraus product at:

www.kraususa.com/registration

Sincerely,

Kraus USA Customer Service

Prior to Installation:

- Make sure you have all necessary parts by checking the diagram and parts list. If any part is missing or damaged, please contact Kraus Customer Service at 800-775-0703 for a replacement
- Turn off the hot and cold water supply at the angle stops and turn on the old faucet to release any built up pressure. Remove existing faucet. Clean sink or countertop to remove any debris, plumber's putty, or silicone
- Place bucket under angle stops. Turn on to flush any debris prior to installing new plumbing. Shut off angle stops
- Max countertop thickness: 1-3/8"

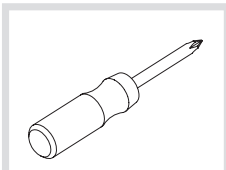
For technical assistance or replacement parts, please contact Kraus Customer Service and one of our representatives will be happy to help:

Toll-Free: 800-775-0703 or Customerservice@kraususa.com

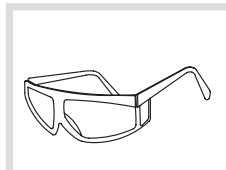
Tools you will need:



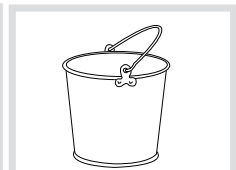
Adjustable Wrench



Phillips Screwdriver

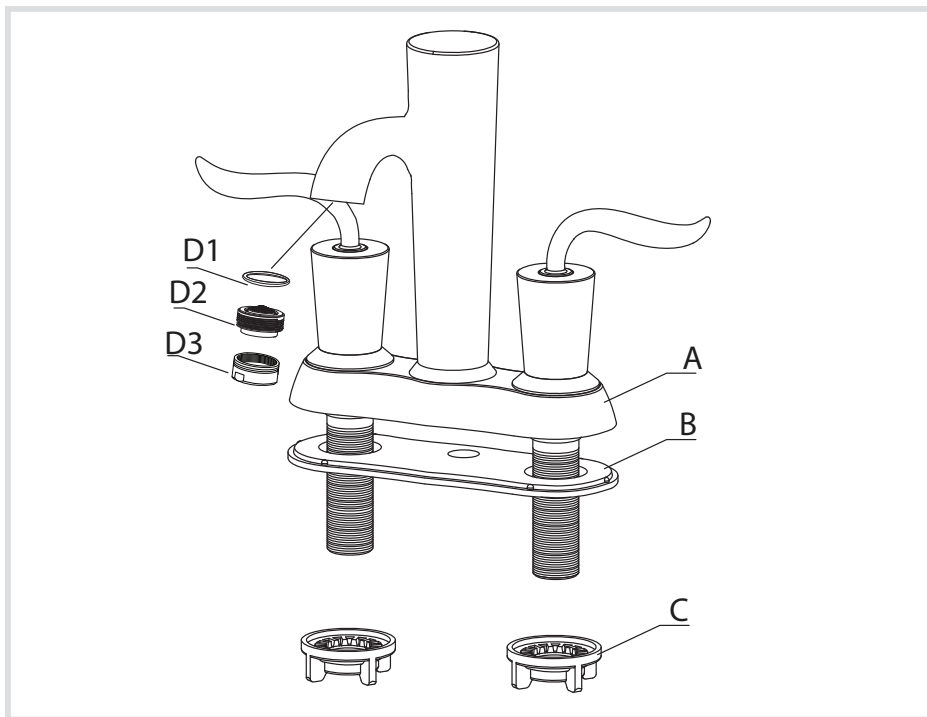


Safety Goggles



Bucket

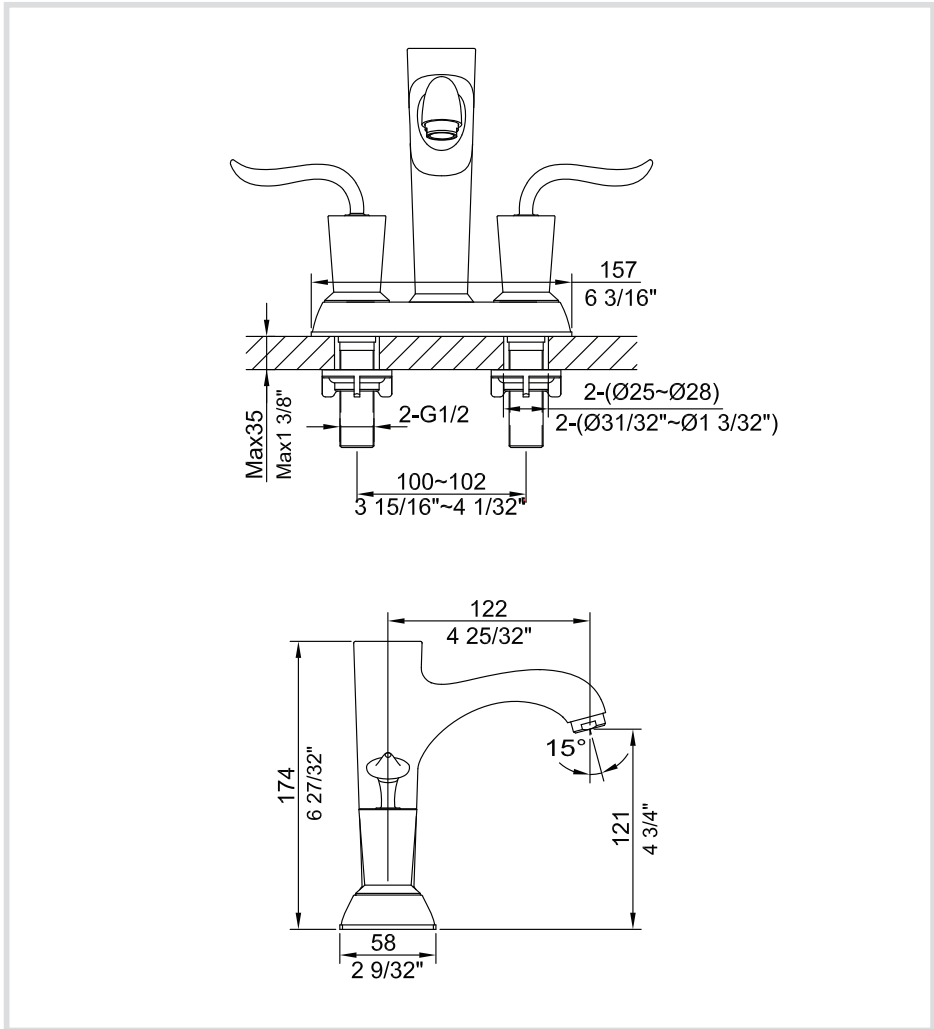
FUS-13802 Diagram and Parts List



A. Faucet Body
B. Putty Plate
C. Mounting Nut

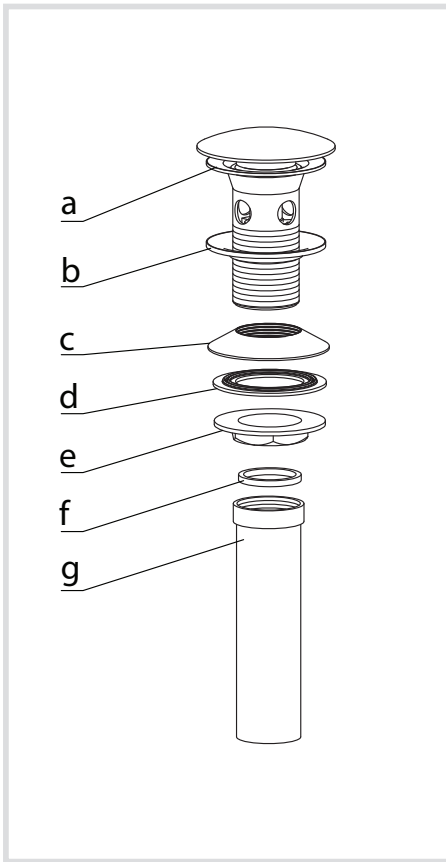
D. Aerator Assembly
D1. Aerator Washer
D2. Aerator
D3. Aerator Cover

Faucet Dimensions

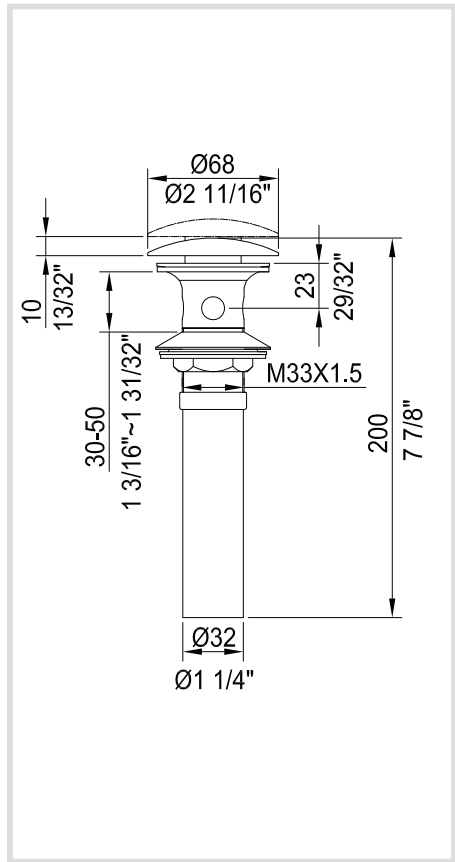


Lift Rod Drain

Diagram and Parts List

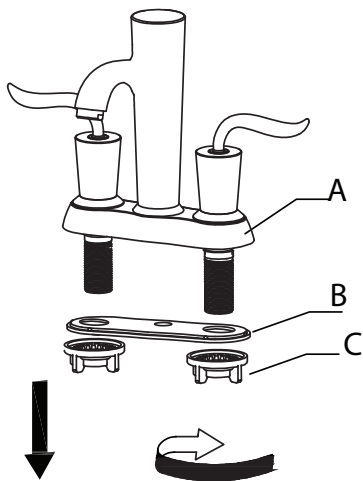


Dimensions



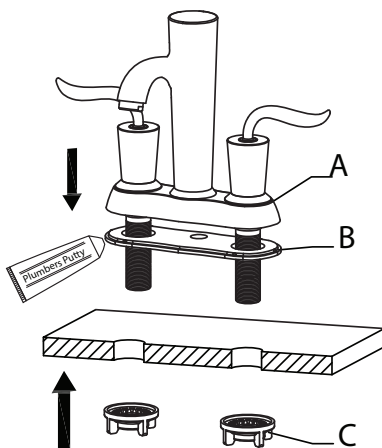
- | | |
|---|--|
| <ul style="list-style-type: none"> a. Drain Body b. Rubber Washer c. Concave Washer d. Plastic Washer | <ul style="list-style-type: none"> e. Mounting Nut f. Tailpipe Washer g. Tailpipe |
|---|--|

Step 1: Remove mounting hardware



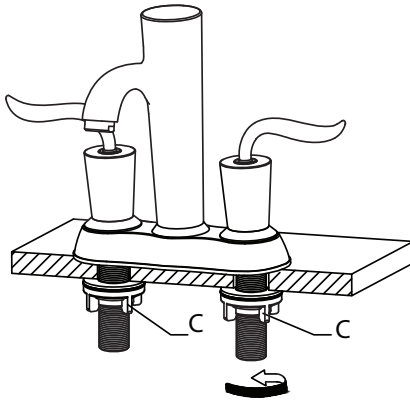
Remove mounting nut (C) and putty plate (B) from threaded mounting pipe

Step 2: Install faucet



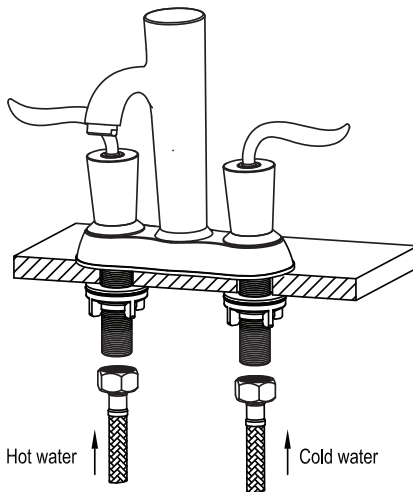
Apply a small amount of putty to the groove along the bottom outer edge of the putty plate (B). Secure putty plate (B) to faucet. Install faucet through holes in sink or countertop

Step 3: Secure faucet



Tighten mounting nuts (C) onto threaded mounting pipe from underneath the countertop or sink (HAND-TIGHTEN ONLY)

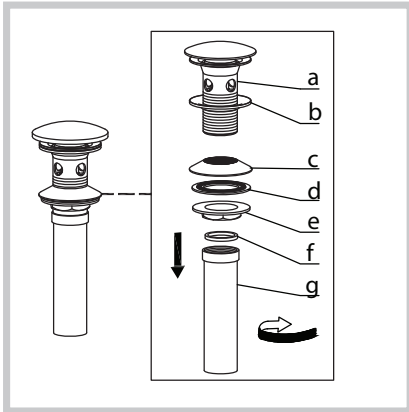
Step 4: Connect waterlines to faucet and main valve



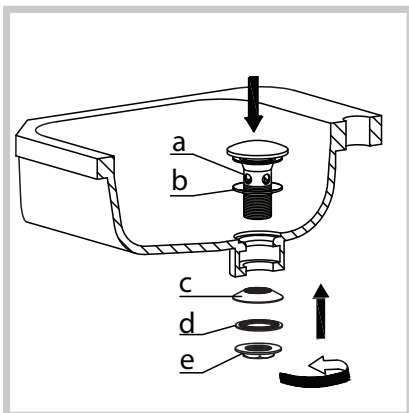
Thread hot & cold waterlines (not included with faucet) to threaded mounting pipe. (A. Hot Side: Left, B. Cold Side: Right). Secure other end of waterlines to the angle stops. Tighten both ends with adjustable wrench until snug. Turn angle stops on and check for leaks (DO NOT TURN ON FAUCET)

Please Note: Recommended waterlines: 3/8 in. OD x 1/2 in. IPS

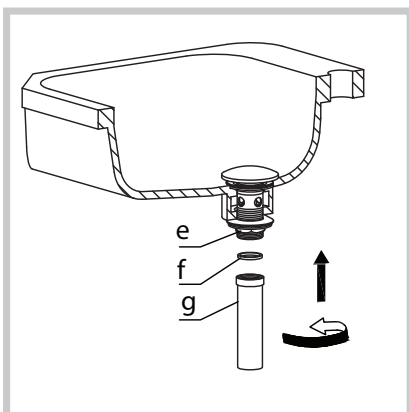
Step5: Install drain



- Remove tail pipe (g), mounting nut (e), plastic washer (d), and concave washer (c) from drain body (a)



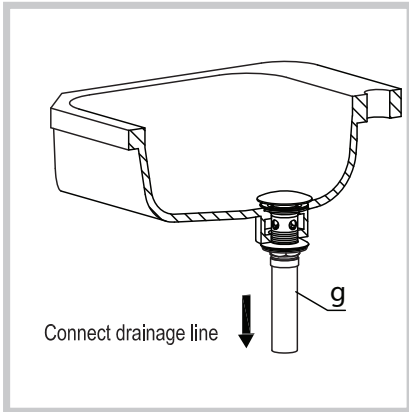
- Install drain body (a), with rubber washer (b) attached, into the drain hole. From underneath, attach concave washer (c) (narrow end up), plastic washer (d), and mounting nut (e) to drain body (a). Secure tightly to sink with an adjustable wrench



- Tighten mounting nut (e) with adjustable wrench until snug. Thread tailpipe (g) onto drain body (a) and hand-tighten

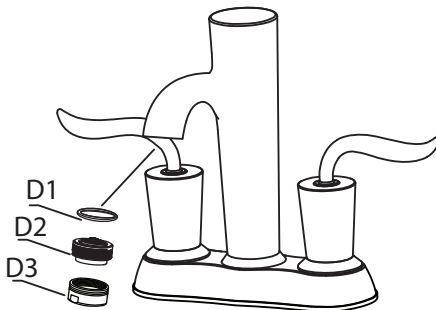
Installer Tip: Make sure tailpipe washer (f) is installed in tailpipe

Step 7: Install drain



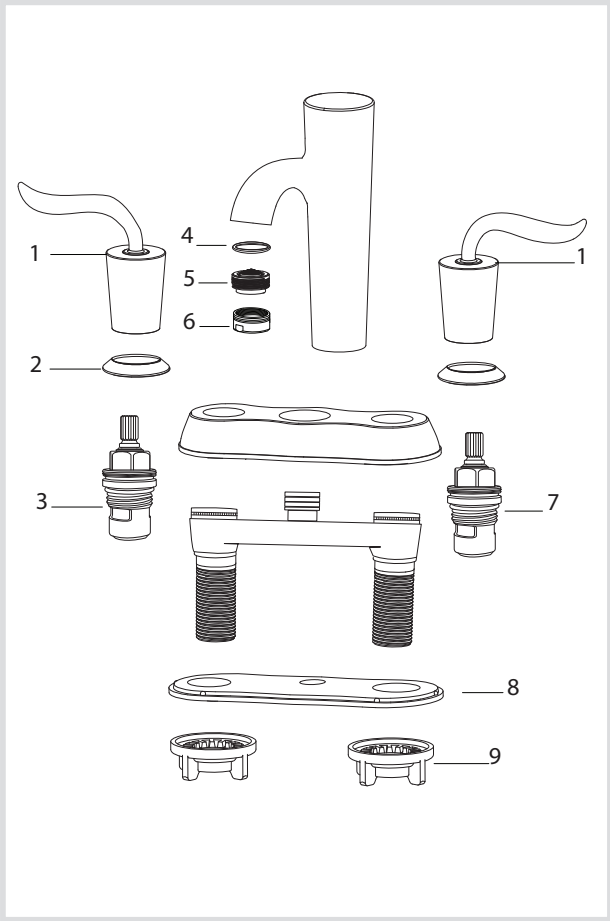
- Connect tailpipe (g) to p-trap

Step 6: Flush faucet



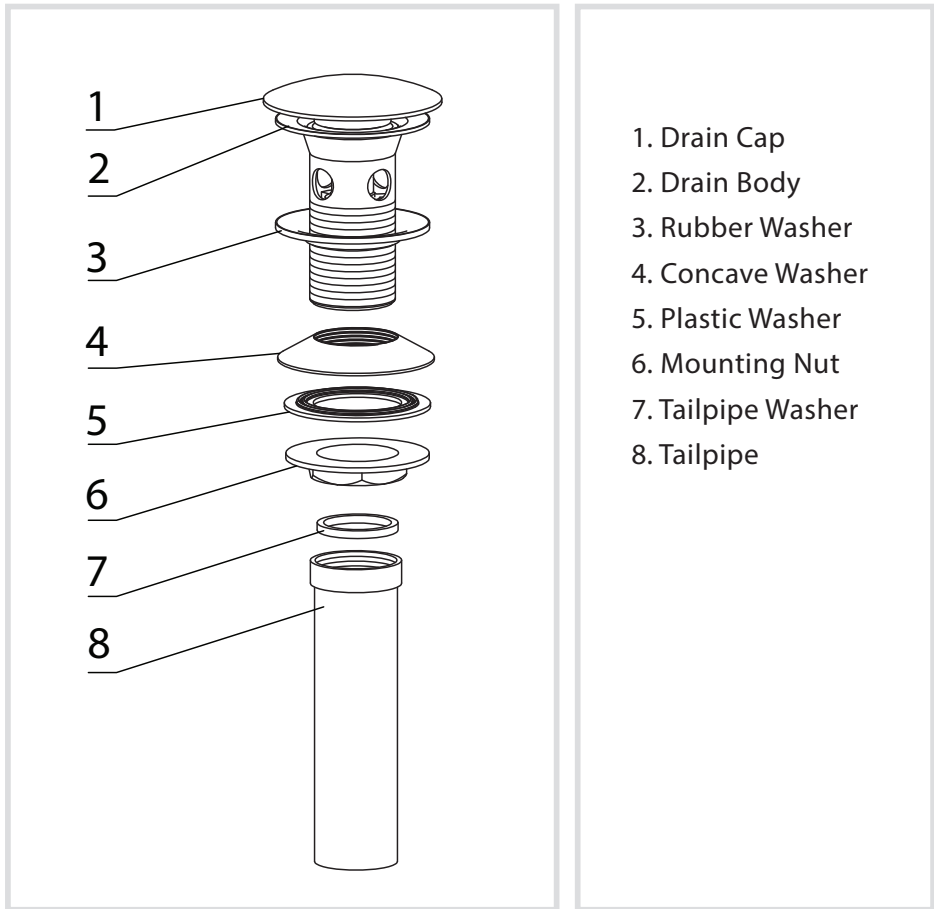
Remove aerator assembly (D). Loosen aerator cover (D3) with adjustable wrench. Remove aerator (D2) and aerator washer (D1). Turn water on for 1 minute to remove any debris. Reassemble aerator assembly (4)

Replacement Part List - FUS-13802



- 1. Metal Handle - HOT & COLD
- 2. Base Ring
- 3. Cartridge – HOT
- 4. Aerator Washer
- 5. Aerator
- 6. Aerator Cover
- 7. Cartridge – COLD
- 8. Putty Plate
- 9. Mounting Nut

Replacement Part List - Lift Rod Drain



Trouble - Shooting

If you have followed the instructions carefully and your faucet still does not work properly, take the following corrective steps:

PROBLEM	CAUSE	ACTION
Leakage under handles	Hot or cold cartridge (3 or 7) may be loose	Remove metal handle (1). Tighten hot or cold cartridge (3 or 7) with adjustable wrench
Aerator drips or has inconsistent water flow pattern	Aerator (5) may be dirty or not seated properly	Unscrew aerator cover (6) with adjustable wrench. Remove aerator (5), and clean out debris
Water will not shut off completely	Hot or cold cartridge (3 or 7) may need to be adjusted or replaced	Remove metal handle (1). Remove hot or cold cartridge (3 or 7) with adjustable wrench. Check for cracks
Drain is leaking	Washers may be compromised or installed incorrectly	Check washers to make sure they are installed correctly and not cracked

Care & Maintenance

*To keep the product clean & shining, follow the steps below:

1. Rinse with clean water & dry with a soft cloth
2. Do not clean with soaps, acid, polish, abrasives, or harsh cleaners
3. Do not use cloth with a coarse surface
4. Unscrew the aerator and clean when necessary



*This installation manual is subject to change without further notice.

Codes/Standards Applicable:



HELP LINE

Our customer service hours are Monday – Friday, 9am – 8pm EST.
Be sure to visit our website at www.kraususa.com

If you are a homeowner please contact a Kraus Customer Service Representative at:

Kraus USA, Inc.
12 Harbor Park Drive
Port Washington, NY 11050
Toll-free 800-775-0703
Customerservice@kraususa.com

If you are a plumbing contractor or trade professional please contact a Kraus Pro Representative at:

Kraus USA, Inc.
12 Harbor Park Drive
Port Washington, NY 11050
516-801-8955
Proservice@kraususa.com

If you are an Authorized Partner please contact a Partner Support Representative at:

Kraus USA, Inc.
12 Harbor Park Drive
Port Washington, NY 11050
516-801-8954
Partnersupport@kraususa.com

In requesting warranty service, please be ready to provide:

1. Proof of purchase.
2. A description of the problem.

Download the Kraus Care & Maintenance Guide at:

<http://www.kraususa.com/maintenance>

Kräus[®]

www.kraususa.com

REGISTER YOUR PRODUCT TODAY

Receive Proof of Ownership
Access Customer Care & Installation Help
Get Exclusive Kraus Offers & Promotions



Scan to Register Online
or visit <http://www.kraususa.com/registration>

We're always looking for ways to improve.

Please take a moment to share your experience.
Visit <http://www.kraususa.com/review> to let us know what you think
about your new Kraus product.

Contact Us to Learn More
1.800.775.0703 / www.kraususa.com / customerservice@kraususa.com
Like & Follow KrausUSA

Download the Kraus Care & Maintenance Guide at:
<http://www.kraususa.com/maintenance>



Kräus[®]

www.kraususa.com