

The logo for Kraus, featuring the brand name in a white serif font on a black background. The letter 'K' is stylized with a crown-like top and a small registered trademark symbol (®) to its upper right.

INSTALLATION MANUAL

Aquila Single Lever Basin Faucet

FUS-13901

Thank you for your purchase

We would like to take this opportunity to thank you for choosing Kraus. We hope that you are completely satisfied with your purchase, and enjoy it for years to come. If you have any questions, or require technical assistance, please contact us at 800.775.0703 and one of our representatives will be happy to help.

For more information about Kraus products, please visit:

www.kraususa.com

In order to activate your warranty and get faster access to customer support, please register your new Kraus product at:

www.kraususa.com/registration

Sincerely,

Kraus USA Customer Service

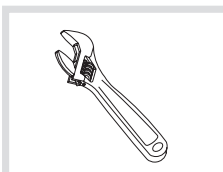
Prior to Installation:

- Make sure you have all necessary parts by checking the diagram and parts list. If any part is missing or damaged, please contact Kraus Customer Service at 800-775-0703 for a replacement
- Turn off the hot and cold water supply at the angle stops and turn on the old faucet to release any built up pressure. Remove existing faucet. Clean sink or countertop to remove any debris, plumber's putty, or silicone
- Place bucket under angle stops. Turn on to flush any debris prior to installing new plumbing. Shut off angle stops
- Pre-drilled hole size requirement: 1-3/8" (min) – 1-1/2" (max)
- Max countertop thickness: 1-3/8"

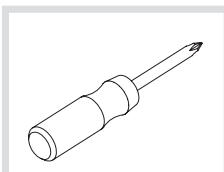
For technical assistance or replacement parts, please contact Kraus Customer Service and one of our representatives will be happy to help:

Toll-Free: 800-775-0703 or Customerservice@kraususa.com

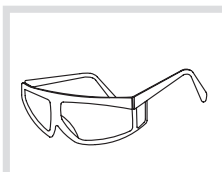
Tools you will need:



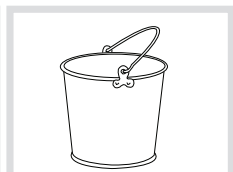
Adjustable Wrench



Phillips Screwdriver

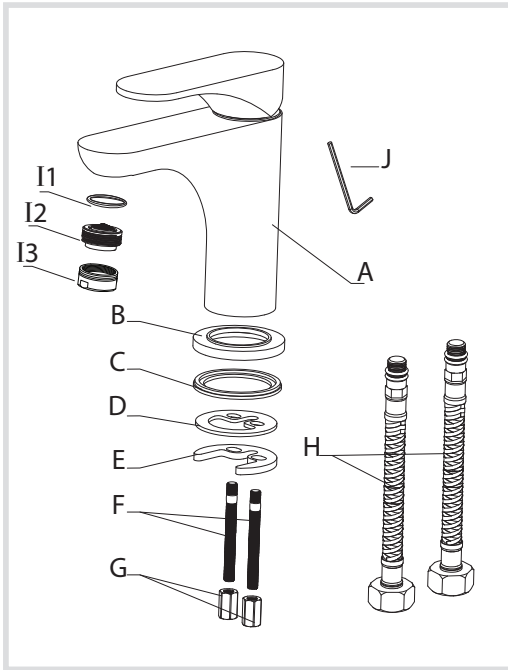


Safety Goggles



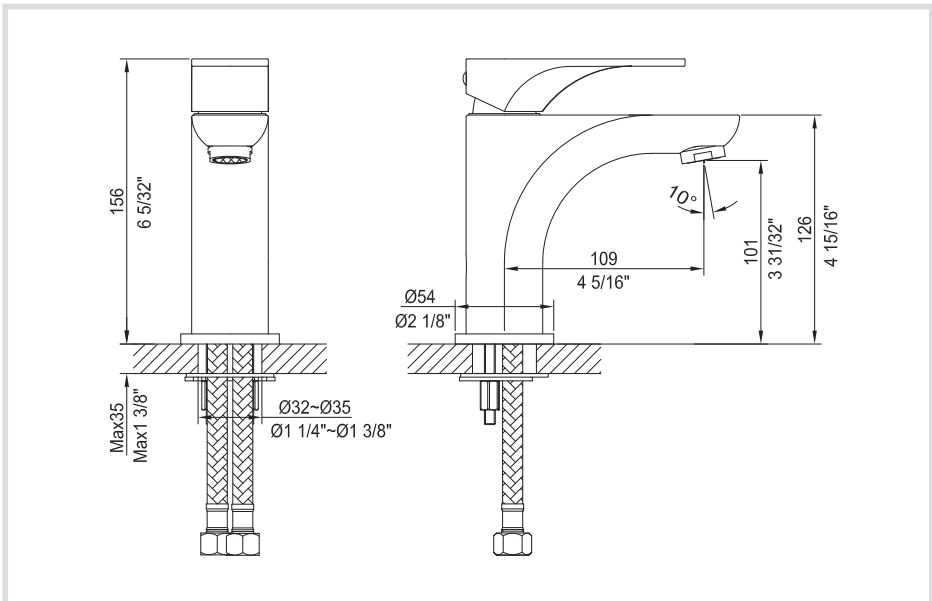
Bucket

FUS-13901 Diagram and Parts List

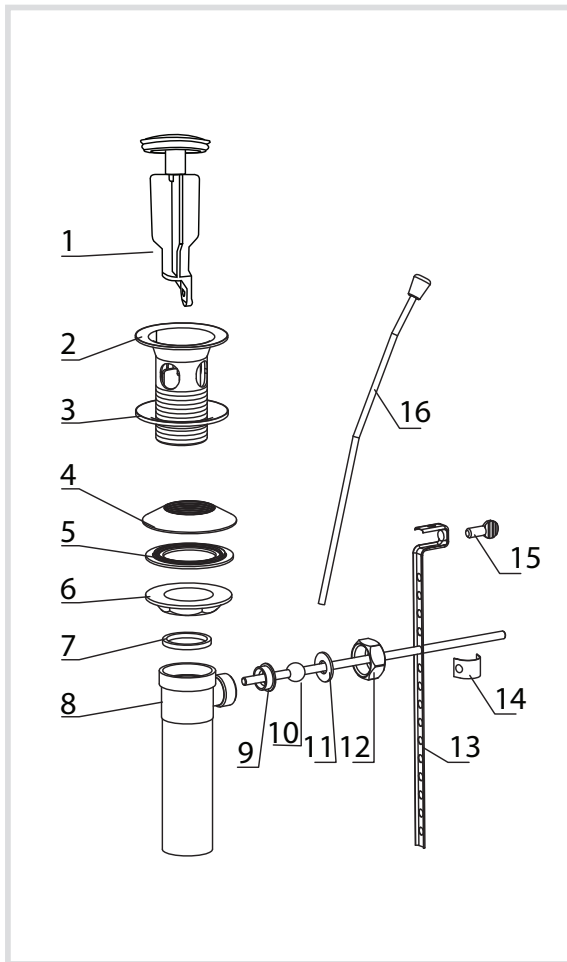


- A. Faucet Body
- B. Base Metal Ring
- C. Base O-Ring
- D. Rubber O-Washer
- E. Metal U-Washer
- F. Mounting Screws
- G. Mounting Nuts
- H. Hot & Cold Waterlines
- I. Aerator Assembly
 - I 1. Aerator Washer
 - I 2. Aerator
 - I 3. Aerator Cover
- J. Hex Wrench

Faucet Dimensions

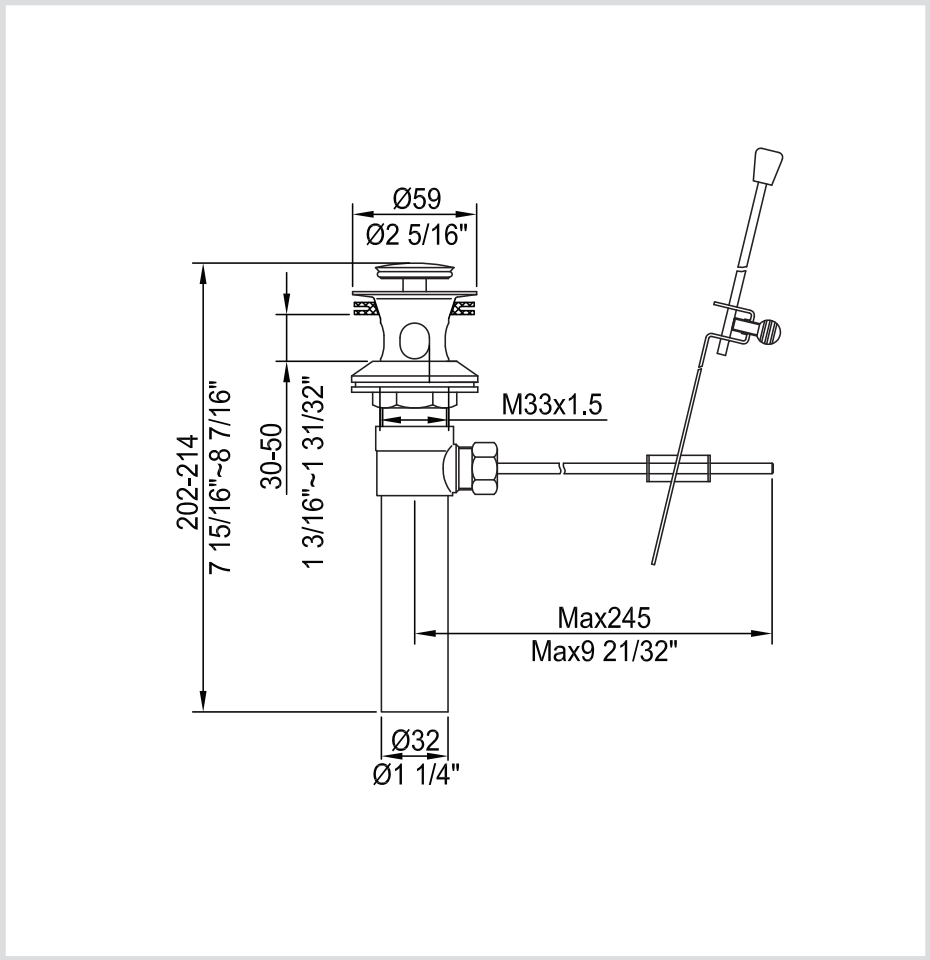


Lift Rod Drain Diagram and Parts List

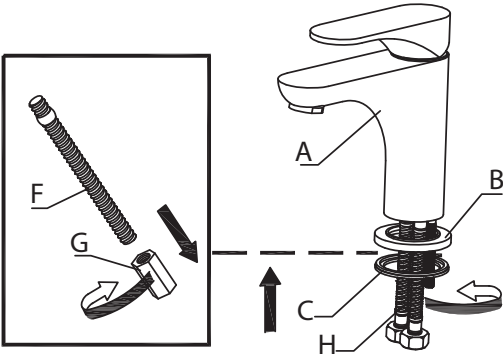


- a. Waste Stopper
- b. Drain
- c. Rubber Washer
- d. Concave Washer
- e. Plastic Washer
- f. Mounting Nut
- g. Tailpipe Washer
- h. Tailpipe
- i. Top Hat Washer
- j. Drain Off Pole
- k. Washer
- l. Retaining Nut
- m. Extender Rod
- n. Clip
- o. Thumb Screw
- p. Lift Pole

Lift Rod Drain Dimensions



Step 1: Install mounting hardware and waterlines



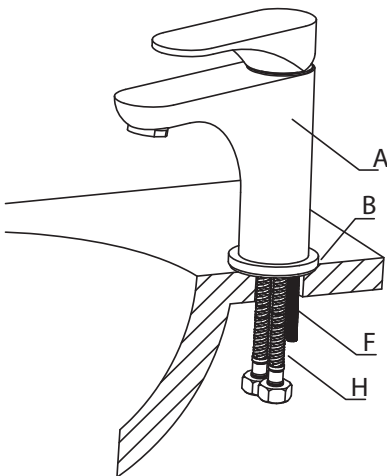
Remove faucet, mounting hardware, and waterlines from the box. Remove mounting nuts (G) from mounting screws (F). Place faucet body (A) on a soft cloth, spout facing up. Secure hot & cold waterlines (H) at the base of the faucet (HAND-TIGHTEN ONLY)

A. Hot Side: Left

B. Cold Side: Right

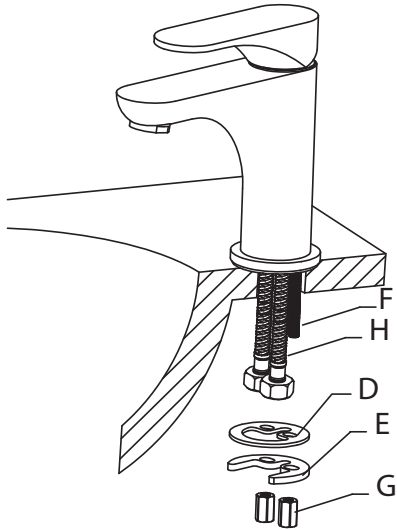
Thread mounting screws (F) into faucet base, flat head up, and tighten with a Phillips head screwdriver until snug. Place base O-ring (C) in groove of base metal ring (B)

Step 2: Install faucet

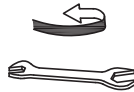


Install faucet body (A) through 1-3/8" hole in countertop or sink, with hot & cold waterlines (H), mounting screws (F), and base metal ring (B) attached

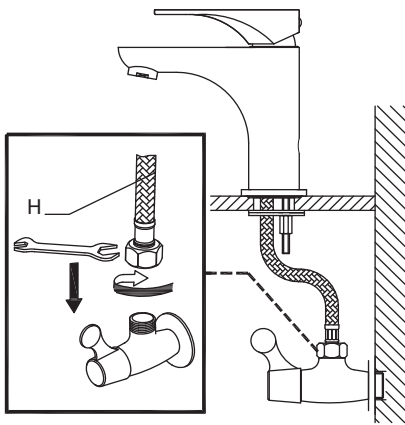
Step 3: Secure faucet



Install rubber O-washer (D) and metal U-washer (E), over waterlines (H) and mounting screws (F), from underneath the countertop or sink. Attach mounting nuts (G) to mounting screws (F) and tighten with adjustable wrench or 10mm wrench until snug

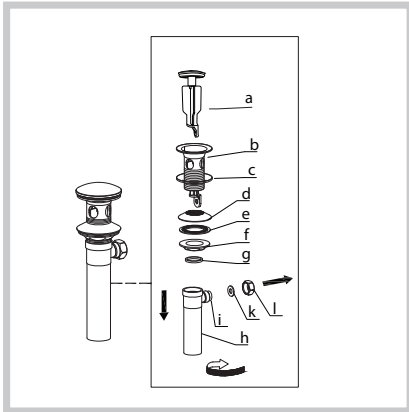


Step 4: Connect waterlines to main valve



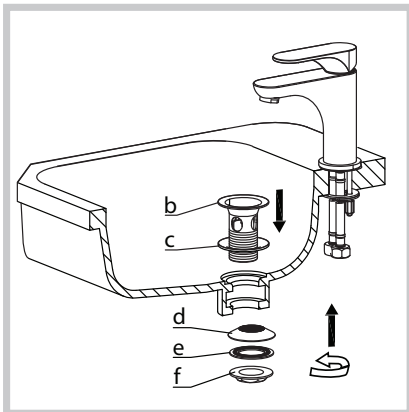
Thread hot & cold waterlines (H) onto angle stops and tighten with adjustable wrench until snug. Turn on angle stops and check for leaks (DO NOT TURN ON FAUCET)

Step 5: Install Drain

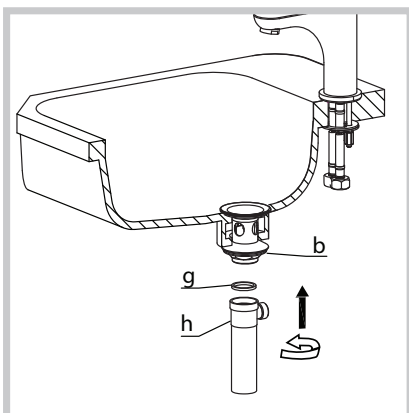


- Remove waste stopper (a) from drain (b). Remove tail pipe (h), mounting nut (f), plastic washer (e), and concave washer (d) from drain (b). Remove retaining nut (l) and washer (k) from tailpipe (h)

Installer tip: Leave top hat washer (g) in tailpipe (h)



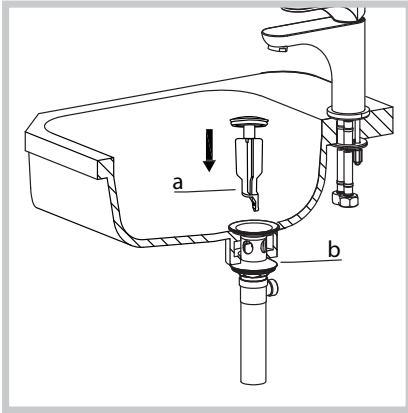
- Install drain (b), with rubber washer (c) attached, into the drain hole. Attach concave washer (d) with narrow end up, plastic washer (e), and mounting nut (f) to drain (b) from underneath countertop or sink. Secure tightly to sink with an adjustable wrench



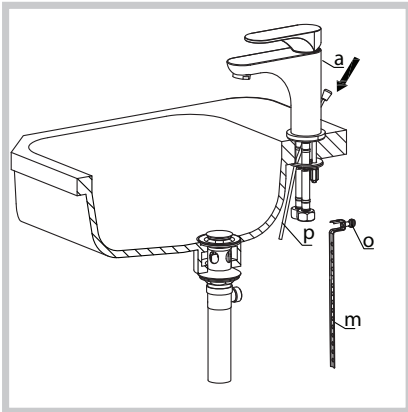
- Thread tailpipe (h) onto drain (b) and hand-tighten. Adjust tailpipe (h) so drain off pole opening is to the rear of the sink

Installer Tip: Make sure tailpipe washer (g) is installed in tailpipe (h)

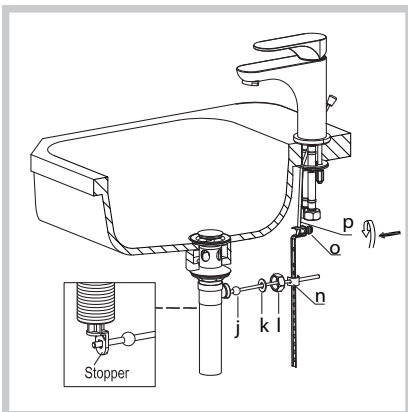
Step 5: Install Drain



- Insert waste stopper (a) into drain (b). Make sure slot at end of waste stopper (a) is facing the rear of the sink

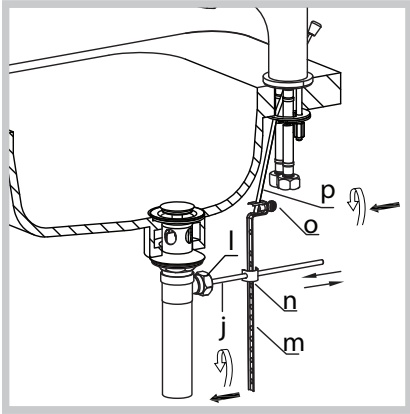


- Insert lift pole rod (p) through the hole in the back of the faucet body (a). Loosen thumb screw (o) and attach extender rod (m) to lift pole rod (p). Tighten thumb screw (o)



- Insert shortest end of drain off pole (j) into drain off pole opening of tailpipe (h). Make sure drain off pole (j) and slot on waste stopper (a) engage. Attach washer (k) and retaining nut (l) through drain off pole (j). Secure retaining nut (l) to drain off pole opening of tailpipe (h)

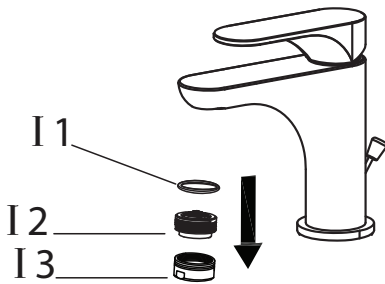
Step 5: Install Drain



- Place one end of clip (n) on drain off pole (j). Insert drain off pole (j) through desired hole of extender rod (m). Place other end of clip (n) on drain off pole (j)

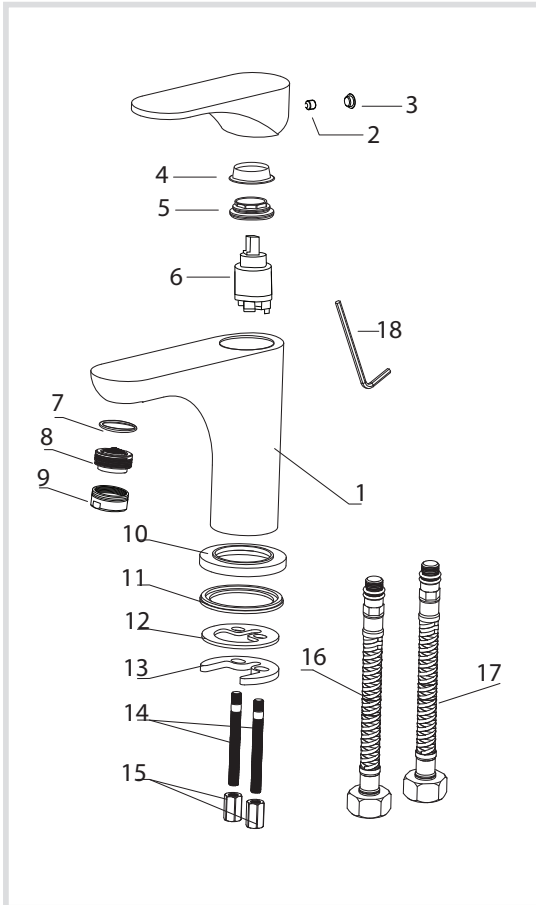
Installer Tip: You may adjust the extender rod (m) to a desired height

Step 6: Flush Faucet



Remove aerator assembly (I). Loosen aerator cover (I 3) with adjustable wrench. Remove aerator (I 2) and aerator washer (I 1). Turn water on for 1 minute to remove any debris. Reassemble aerator assembly (I)

Replacement Part List - FUS-13901

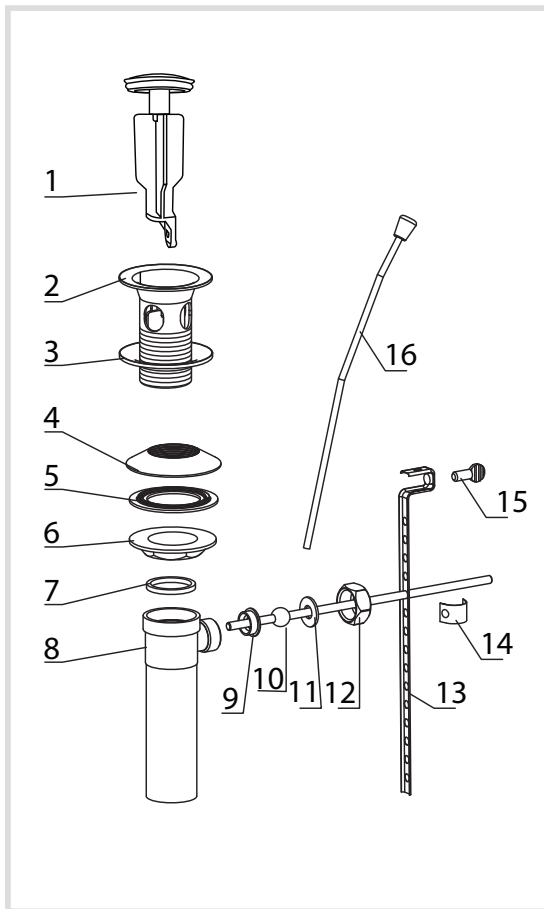


1. Metal Handle
2. Set Screw
3. Cover Button
4. Cartridge Cover
5. Locking Nut
6. Cartridge
7. Aerator Washer
8. Aerator
9. Aerator Cover
10. Base Metal Ring
11. Base O-ring
12. Rubber O-Washer
13. Metal U-Washer
14. Mounting Screws
15. Mounting Nuts
16. Cold Waterline
17. Hot Waterline
18. Hex Wrench

Download the Kraus Care & Maintenance Guide at:

<http://www.kraususa.com/maintenance>

Replacement Part List - Lift Rod Drain

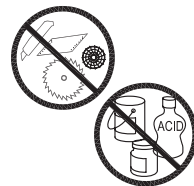


1. Waste Stopper
2. Drain
3. Rubber Washer
4. Concave Washer
5. Plastic Washer
6. Mounting Nut
7. Tailpipe Washer
8. Tailpipe
9. Top Hat Washer
10. Drain Off Pole
11. Washer
12. Retaining Nut
13. Extender Rod
14. Clip
15. Thumb Screw
16. Lift Pole Rod

Care & Maintenance

*To keep the product clean & shining, follow the steps below:

1. Rinse with clean water & dry with a soft cloth
2. Do not clean with soaps, acid, polish, abrasives, or harsh cleaners
3. Do not use cloth with a coarse surface
4. Unscrew the aerator and clean when necessary



*This installation manual is subject to change without further notice.

Trouble - Shooting

If you have followed the instructions carefully and your faucet still does not work properly, take the following corrective steps:

PROBLEM	CAUSE	ACTION
Leakage under the handle	Locking nut (5) has come loose	Remove cover button (3). Loosen set screw (2) with hex wrench (18). Remove metal handle (1). Unscrew cartridge cover (4) (by hand only). Tighten locking nut (5) with adjustable wrench
Aerator drips or has inconsistent water flow pattern	Aerator (8) may be dirty or not seated properly	Unscrew aerator cover (9) with adjustable wrench. Remove aerator (8) and clean out debris
Water will not shut off completely	Cartridge (6) may need to be adjusted or replaced	Remove cover button (3). Loosen set screw (2) with hex wrench (18). Remove metal handle (1). Unscrew cartridge cover (4) (by hand only). Unscrew locking nut (5) with adjustable wrench. Remove ceramic disc cartridge (6). Check for cracks
Drain is leaking	Washers may be compromised or installed incorrectly	Check washers to make sure they are installed correctly and not cracked

Codes/Standards Applicable:



HELP LINE

Our customer service hours are Monday – Friday, 9am – 8pm EST.
Be sure to visit our website at www.kraususa.com

If you are a homeowner please contact a Kraus Customer Service Representative at:

Kraus USA, Inc.
12 Harbor Park Drive
Port Washington, NY 11050
Toll-free 800-775-0703
Customerservice@kraususa.com

If you are a plumbing contractor or trade professional please contact a Kraus Pro Representative at:

Kraus USA, Inc.
12 Harbor Park Drive
Port Washington, NY 11050
516-801-8955
Proservice@kraususa.com

If you are an Authorized Partner please contact a Partner Support Representative at:

Kraus USA, Inc.
12 Harbor Park Drive
Port Washington, NY 11050
516-801-8954
Partnersupport@kraususa.com

In requesting warranty service, please be ready to provide:

1. Proof of purchase.
2. A description of the problem.

REGISTER YOUR PRODUCT TODAY

Receive Proof of Ownership
Access Customer Care & Installation Help
Get Exclusive Kraus Offers & Promotions



Scan to Register Online
or visit <http://www.kraususa.com/registration>

We're always looking for ways to improve.

Please take a moment to share your experience.
Visit <http://www.kraususa.com/review> to let us know what you think
about your new Kraus product.

Contact Us to Learn More
1.800.775.0703 / www.kraususa.com / customerservice@kraususa.com
Like & Follow KrausUSA

Download the Kraus Care & Maintenance Guide at:
<http://www.kraususa.com/maintenance>



Kräus[®]

www.kraususa.com