

Kräus[®]

INSTALLATION MANUAL

Nola™ Single Lever Commercial Style Kitchen Faucet

KPF-1650

Thank you for your purchase

We would like to take this opportunity to thank you for choosing Kraus. We hope that you are completely satisfied with your purchase, and enjoy it for years to come. If you have any questions, or require technical assistance, please contact us at 800.775.0703 and one of our representatives will be happy to help.

For more information about Kraus products, please visit:

www.kraususa.com

In order to activate your warranty and get faster access to customer support, please register your new Kraus product at:

www.kraususa.com/registration

Sincerely,

Kraus USA Customer Service

Prior to Installation:

- Make sure you have all necessary parts by checking the diagram and parts list. If any part is missing or damaged, please contact Kraus Customer Service at 800-775-0703 for a replacement
- Turn off the hot and cold water supply at the angle stops and turn on the old faucet to release any built up pressure. Remove existing faucet. Clean sink or countertop to remove any debris, plumber's putty, or silicone
- Place bucket under angle stops. Turn on to flush any debris prior to installing new plumbing. Shut off angle stops
- Pre-drilled hole size requirement: 1-3/8"
- Max countertop thickness without deck plate: 1-3/8"
- 1, 2, or 3 hole installation

For technical assistance or replacement parts, please contact Kraus Customer Service and one of our representatives will be happy to help:

Toll-Free: 800-775-0703 or Customerservice@kraususa.com

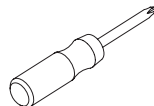
Tools you will need



Adjustable Wrench



Bucket

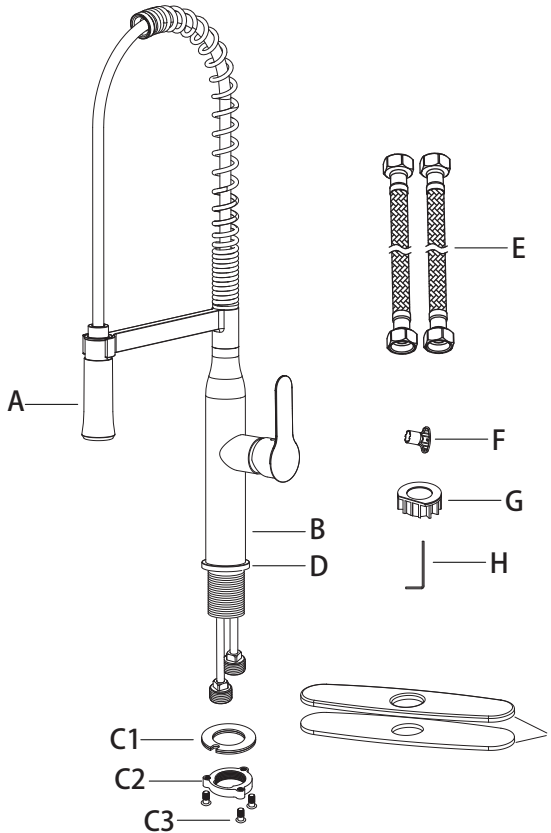


Phillips Screwdriver



Safety Goggles

Diagram and Parts List



A. Spray Head

B. Faucet Body

C. Mounting Hardware

C1. Rubber & Metal Washer

C2. Mounting Nut

C3. Mounting Screw

D. Metal Base Ring

E. Hot & Cold Waterlines

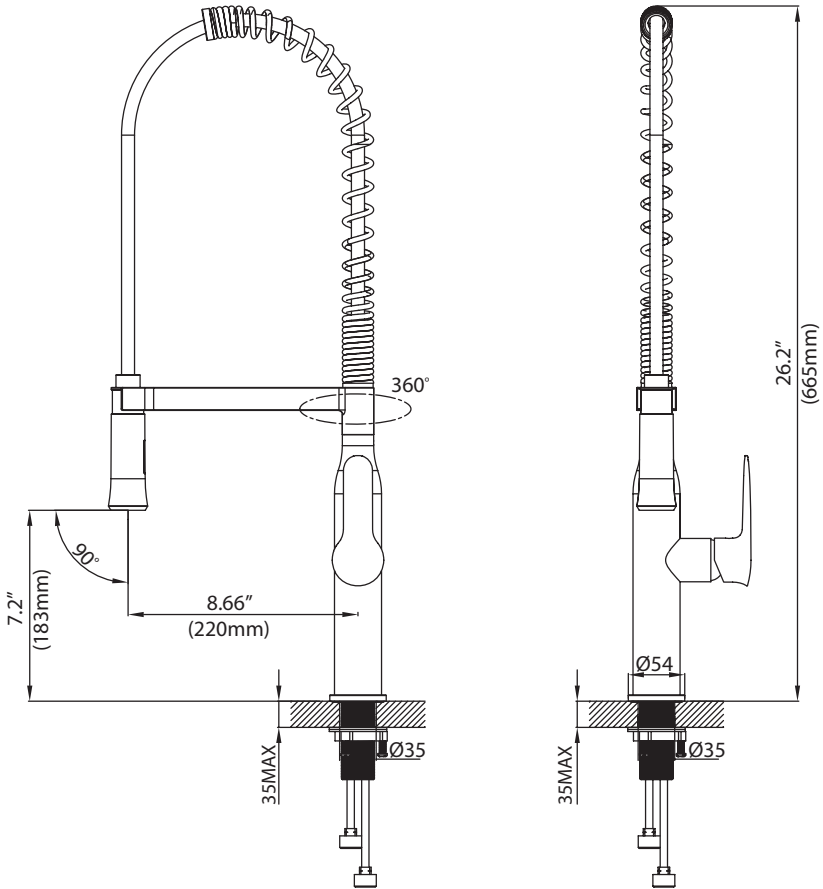
F. Aerator Key

G. Faucet Extender (used for top mount sinks only)

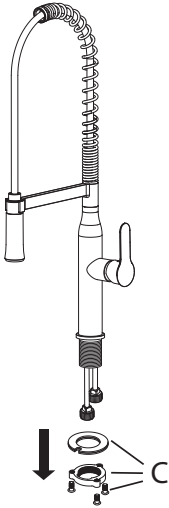
H. 2.5 mm Hex Wrench

I. Deck Plate Assembly

Faucet Dimensions

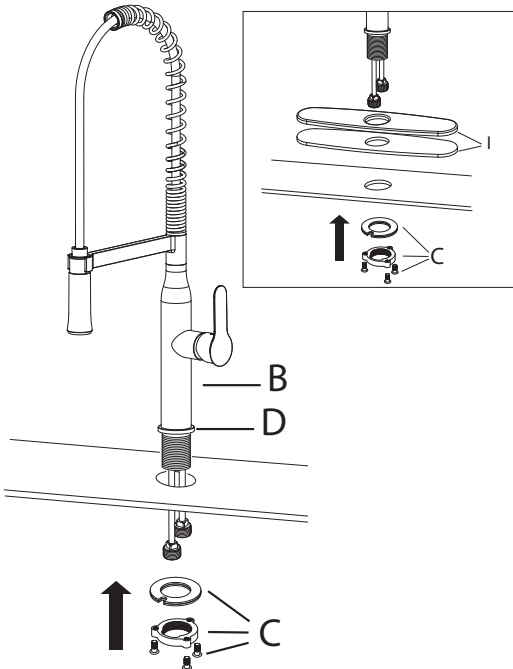


Step 1: Remove mounting hardware



Remove mounting hardware (C) from mounting pipe

Step 2: Install faucet and mounting hardware

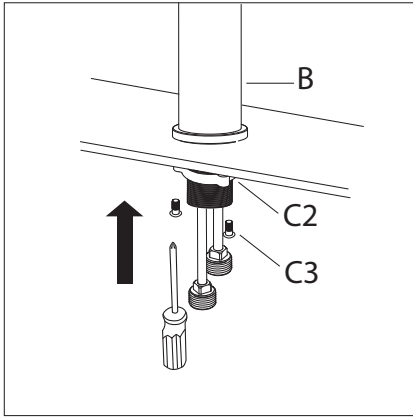


Insert faucet body (B) into hole in countertop or sink. Install mounting hardware (C) from underneath countertop

Note: Deck plate assembly (I) can be used to cover preexisting holes

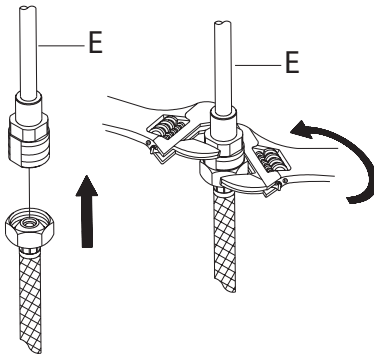
Installer Tip: Please make sure metal base ring (D) is attached to faucet body (B) prior to installation

Step 3: Secure mounting hardware

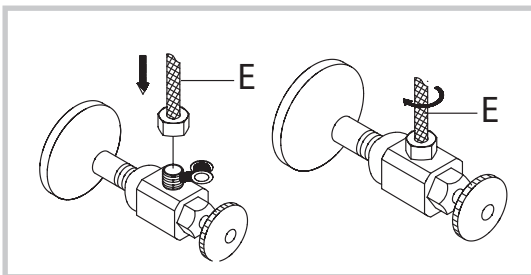


Adjust the direction of faucet body (B). Tighten mounting nut (C2) until snug. Tighten mounting screws (C3) to nut with a Phillips screwdriver until snug

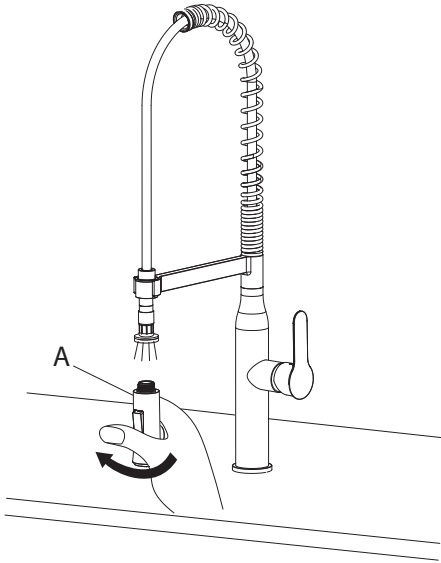
Step 4: Connect waterlines



Connect waterlines (E) to copper lines and angle stops. Tighten both ends of waterlines with an adjustable wrench until snug. Turn on angle stops and check for leaks (DO NOT TURN FAUCET ON)



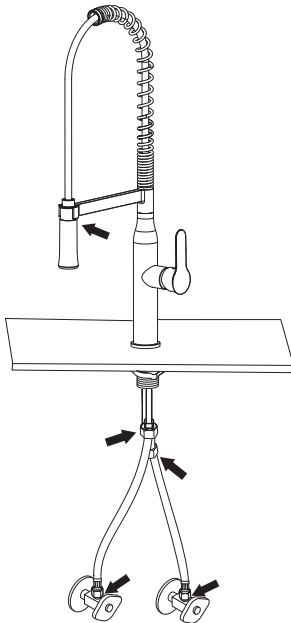
Step 5: Flush spray hose



Remove spray head (A) from hose. Hold tip of hose. Turn faucet on for 60 seconds to flush any debris

Installer Tip: Please make sure washer is installed prior to attaching spray head to hose

Step 6: Check for leaks



Check for leaks at the connections

Care & Maintenance

*To keep the product clean & shining, follow the steps below:

1. Rinse with clean water & dry with a soft cloth
2. Do not clean with soaps, acid, polish, abrasives, or harsh cleaners
3. Do not use cloth with a coarse surface
4. Unscrew the aerator and clean when necessary

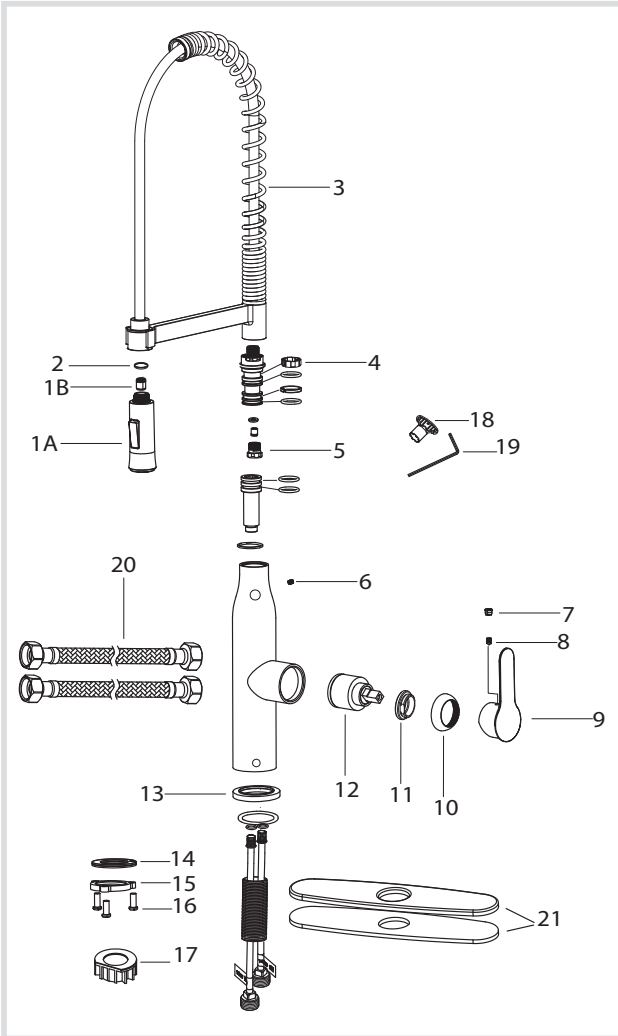
*This installation manual is subject to change without further notice.



Download the Kraus Care & Maintenance Guide at:

<http://www.kraususa.com/maintenance>

Replacement Parts



1. A. Spray Head
B. Check Valve
2. Washer
3. Spray Hose & Spring
4. Pivot Ring
5. Check Valve Connector
6. Set Screw
7. Cover Button
8. Set Screw
9. Metal Handle
10. Cartridge Cover
11. Locking Nut
12. Cartridge
13. Metal Base Ring
14. Rubber & Metal Washer
15. Mounting Nut
16. Mounting Screws
17. Faucet Extender
18. Aerator Key
19. 2.5 mm Hex Wrench
20. Hot & Cold Waterlines
21. Deck Plate Assembly

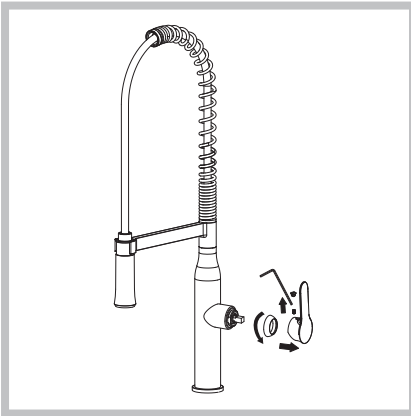
Trouble - Shooting

If you have followed the instructions carefully and your faucet still does not work properly, take the following corrective steps:

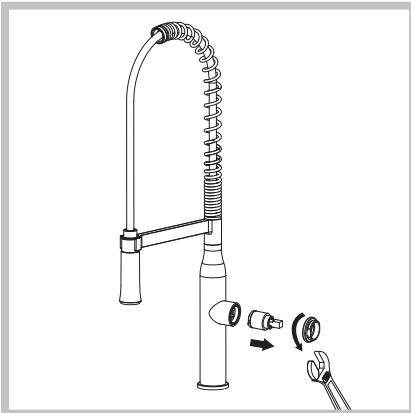
PROBLEM	CAUSE	ACTION
Leaking from faucet handle	Locking nut (11) may have come loose, or cartridge (12) may need to be reseated	Remove cover button (7). Loosen set screw (8) with 2.5 mm hex wrench (19). Remove handle (9). Unscrew cartridge cover (10) by hand. Tighten locking nut (11) with an adjustable wrench
Water does not shut off completely	Cartridge (12) may need to be adjusted or replaced	Remove cover button (7). Loosen set screw (8) with 2.5 mm hex wrench (19). Remove handle (9). Unscrew cartridge cover (10) by hand. Unscrew locking nut (11) with an adjustable wrench. Remove cartridge (12). Check for cracks, and if O-ring is seated correctly. Reseat cartridge (12)

PROBLEM	CAUSE	ACTION
Leaking between spray head and hose	Spray head (1A) may be loose or washer (2) may not be seated correctly in the hose connection	Tighten spray head (1A) by hand until snug. Make sure washer (2) is seated correctly
Low flow	Check valve connector (5) may be clogged with debris	Loosen set screw (6). Remove spray hose & spring (3). Unscrew check valve connector (5) located at bottom of spray hose & spring (3). Soak in 50/50 solution of warm water and vinegar for 5 minutes. Reinstall check valve connector (5) and spray hose & spring (3)

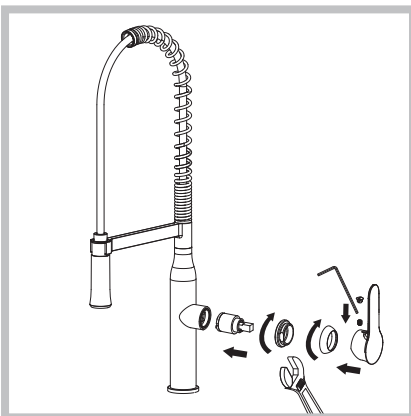
Maintenance - Cartridge Replacement



Step 1: Remove button located at the top of the handle. Loosen the set screw with a hex wrench. Remove the handle and unscrew cartridge cover by hand



Step 2: Unscrew the locking nut with an adjustable wrench. Remove ceramic disc cartridge



Step 3: Place the new cartridge in the handle seat. Secure the cartridge with the locking nut and assemble the handle

Codes/Standards Applicable:



NSF/ANSI Standard 61 certified by IAPMO
NSF/ANSI Standard 372 certified by IAPMO



Meets ASME A112.18.1M/A112.18.1
1.75GPM 6.6L/min maximum

HELP LINE

Our customer service hours are Monday – Friday, 9am – 8pm EST.
Be sure to visit our website at www.kraususa.com

If you are a homeowner please contact a Kraus Customer Service Representative at:

Kraus USA, Inc.
12 Harbor Park Drive
Port Washington, NY 11050
Toll-free 800-775-0703
Customerservice@kraususa.com

If you are a plumbing contractor or trade professional please contact a Kraus Pro Representative at:

Kraus USA, Inc.
12 Harbor Park Drive
Port Washington, NY 11050
516-801-8955
Proservice@kraususa.com

If you are an Authorized Partner please contact a Partner Support Representative at:

Kraus USA, Inc.
12 Harbor Park Drive
Port Washington, NY 11050
516-801-8954
Partnersupport@kraususa.com

In requesting warranty service, please be ready to provide:

1. Proof of purchase.
2. A description of the problem.

Kräus[®]

www.kraususa.com

REGISTER YOUR PRODUCT TODAY

Receive Proof of Ownership

Access Customer Care & Installation Help

Get Exclusive Kraus Offers & Promotions



Scan to Register Online
or visit <http://www.kraususa.com/registration>

We're always looking for ways to improve.

Please take a moment to share your experience.
Visit <http://www.kraususa.com/review> to let us know what you think
about your new Kraus product.

Contact Us to Learn More
1.800.775.0703 / www.kraususa.com / customerservice@kraususa.com
Like & Follow KrausUSA

Download the Kraus Care & Maintenance Guide at:
<http://www.kraususa.com/maintenance>



Kräus[®]

www.kraususa.com