

# For Warming Drawer Models IOW024 and OWD24



## Front Panel Kit PN AAFP24SCH

## INSTALLATION INSTRUCTIONS

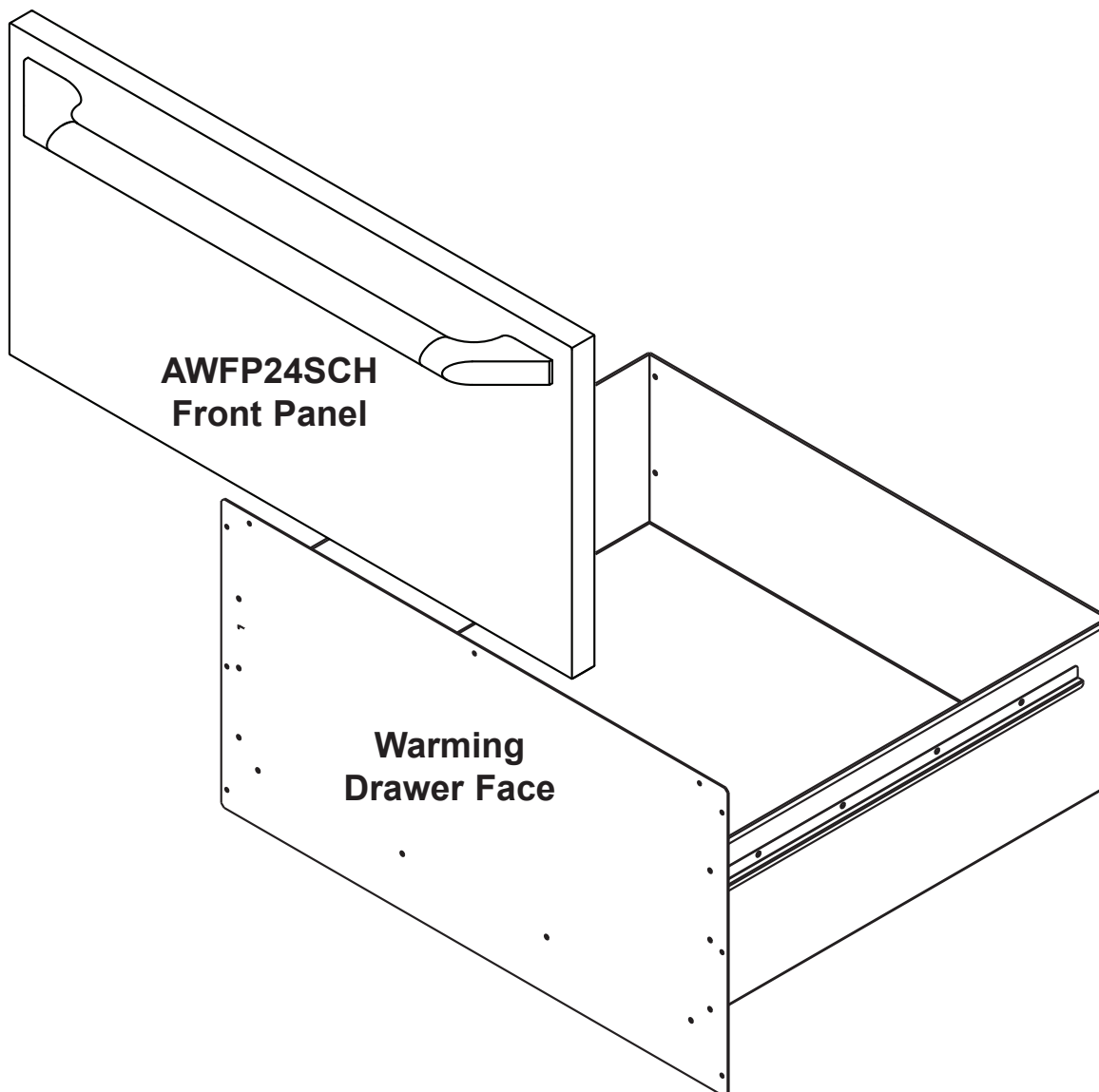
### Parts included with this kit

- AAFP24SCH warming drawer front panel with elliptical style Epicure® handle
- Phillips head screws

**STEP 1:** Open the warming drawer to the fully open position.

**STEP 2:** From the top, slide the front panel included in the kit over the drawer face.

**STEP 3:** Attach the front panel to the drawer face from inside the drawer using the included screws.



Part No. 102617 Rev. B