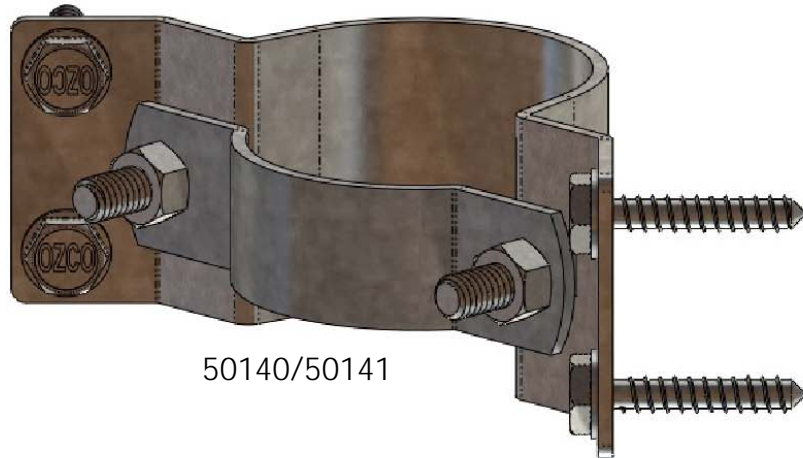


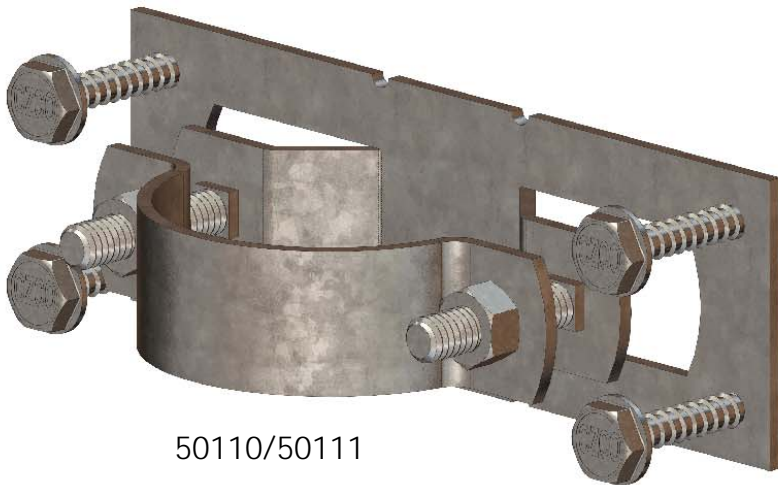
# Installation Instruction, OZCO Steel Post to Wood Fence Brackets



50140/50141



Typical Installation  
(additional applications  
shown in this document)

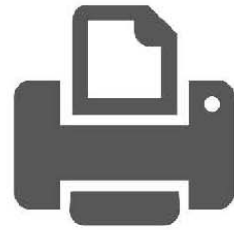


50110/50111



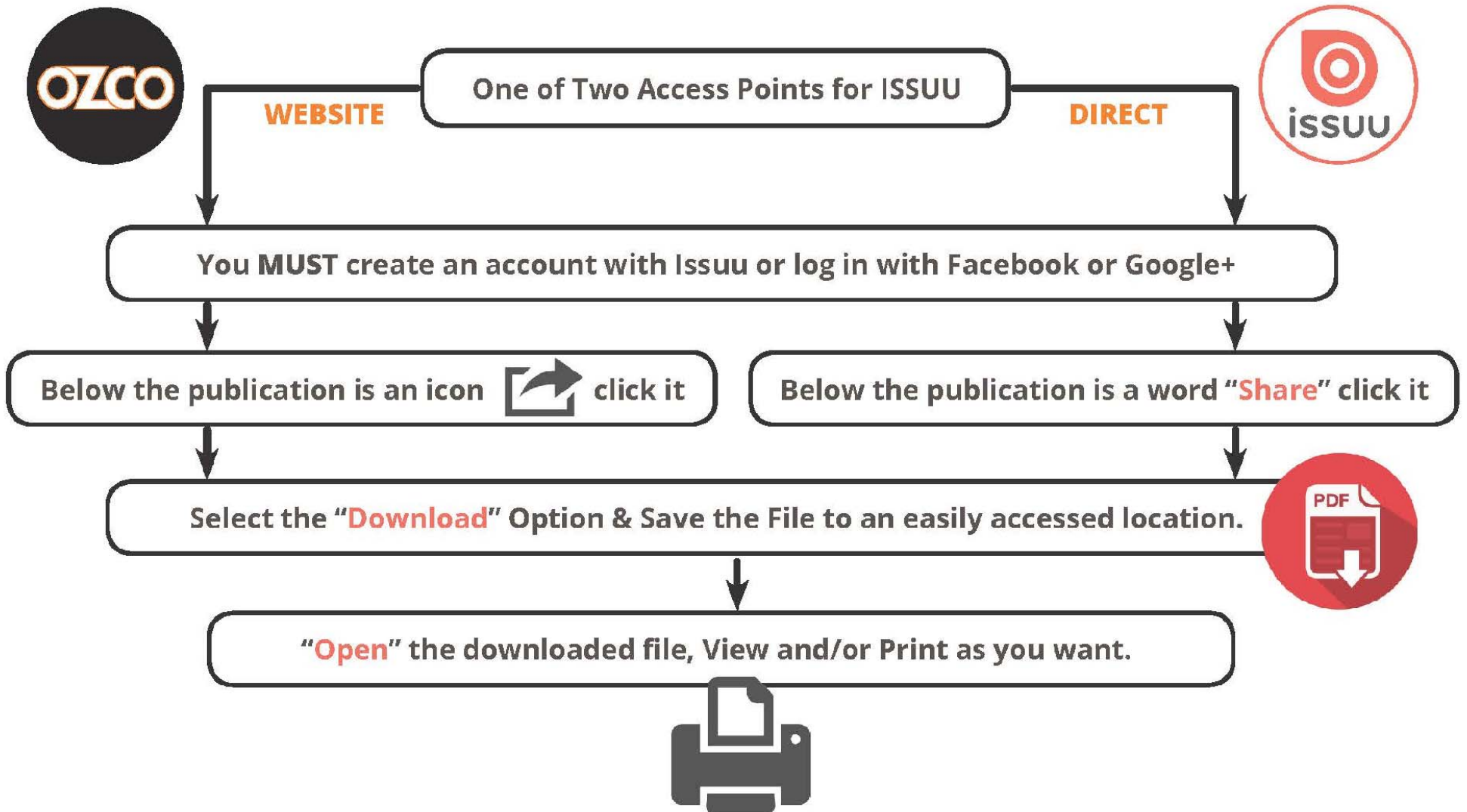
50100/50130

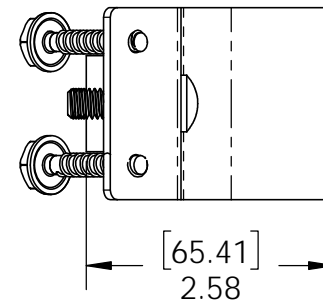
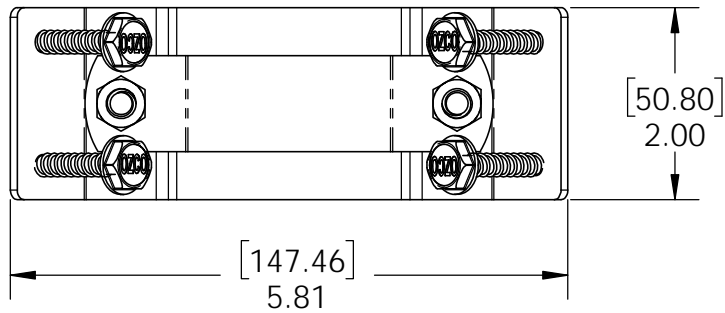
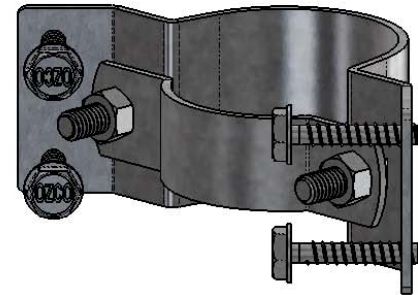
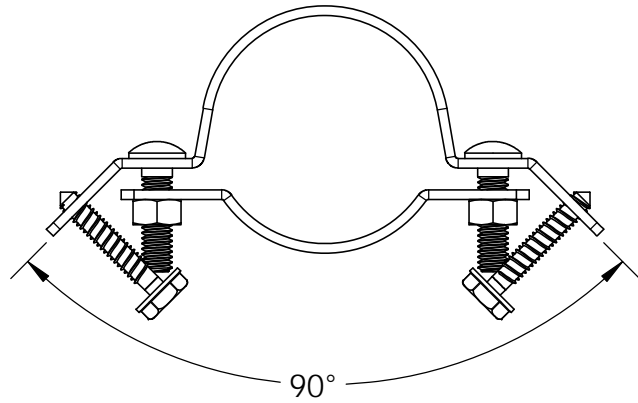




# Printing Documents from ISSUU

Unfortunately, there is currently no way to print content directly through issuu. To print a publication, you will need to download it and print it from your computer.

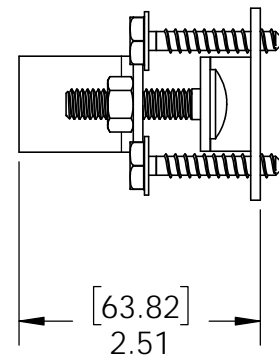
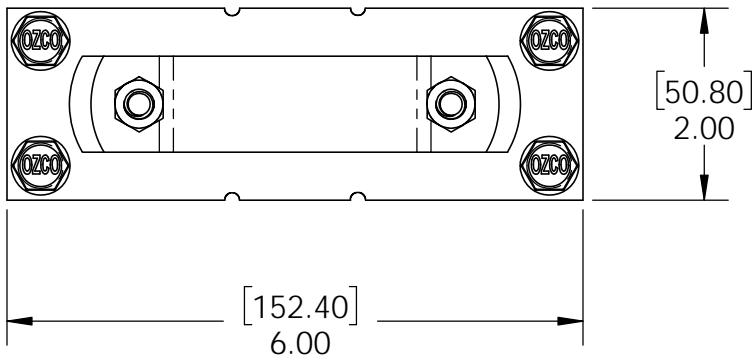
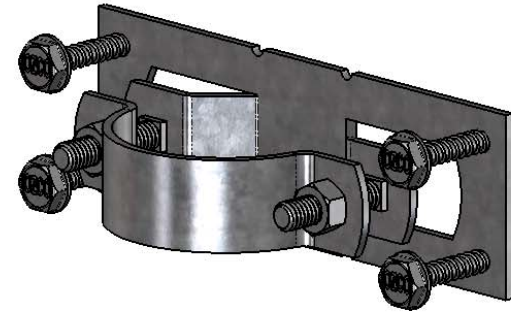
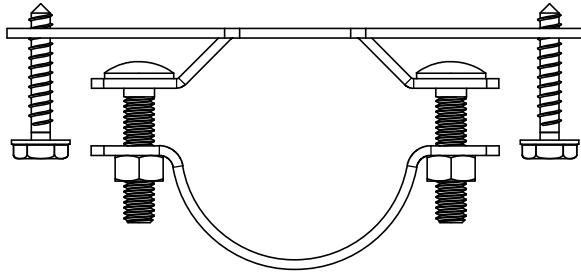




## 50140/50141

Installation Instructions, Steel Post to Wood Fence Brackets



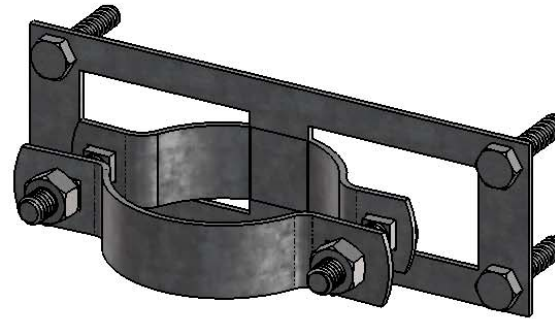


## 50110/50111

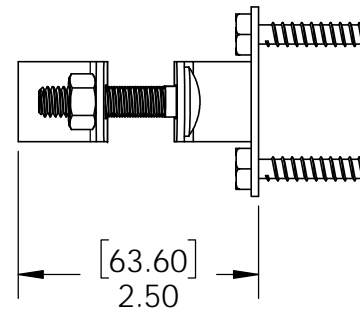
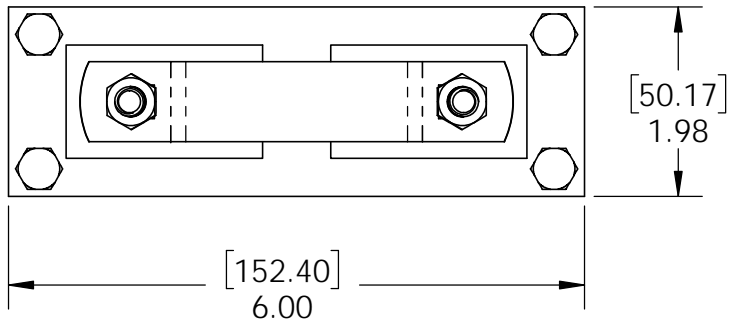
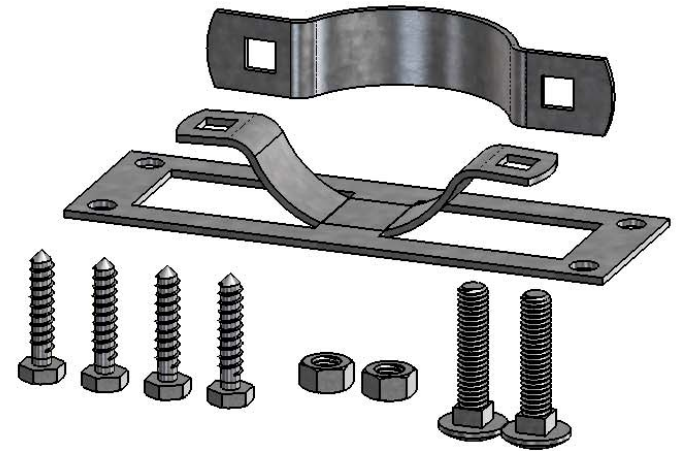
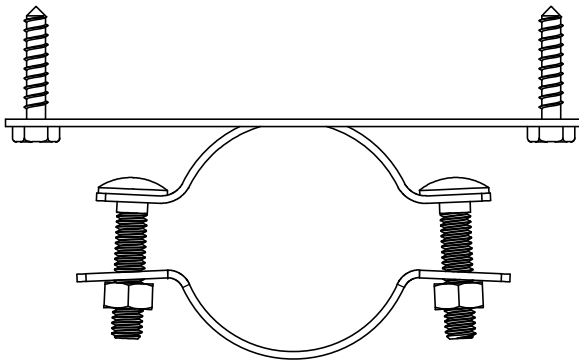
Installation Instructions, Steel Post to Wood Fence Brackets



**OZCO** BUILDING PRODUCTS



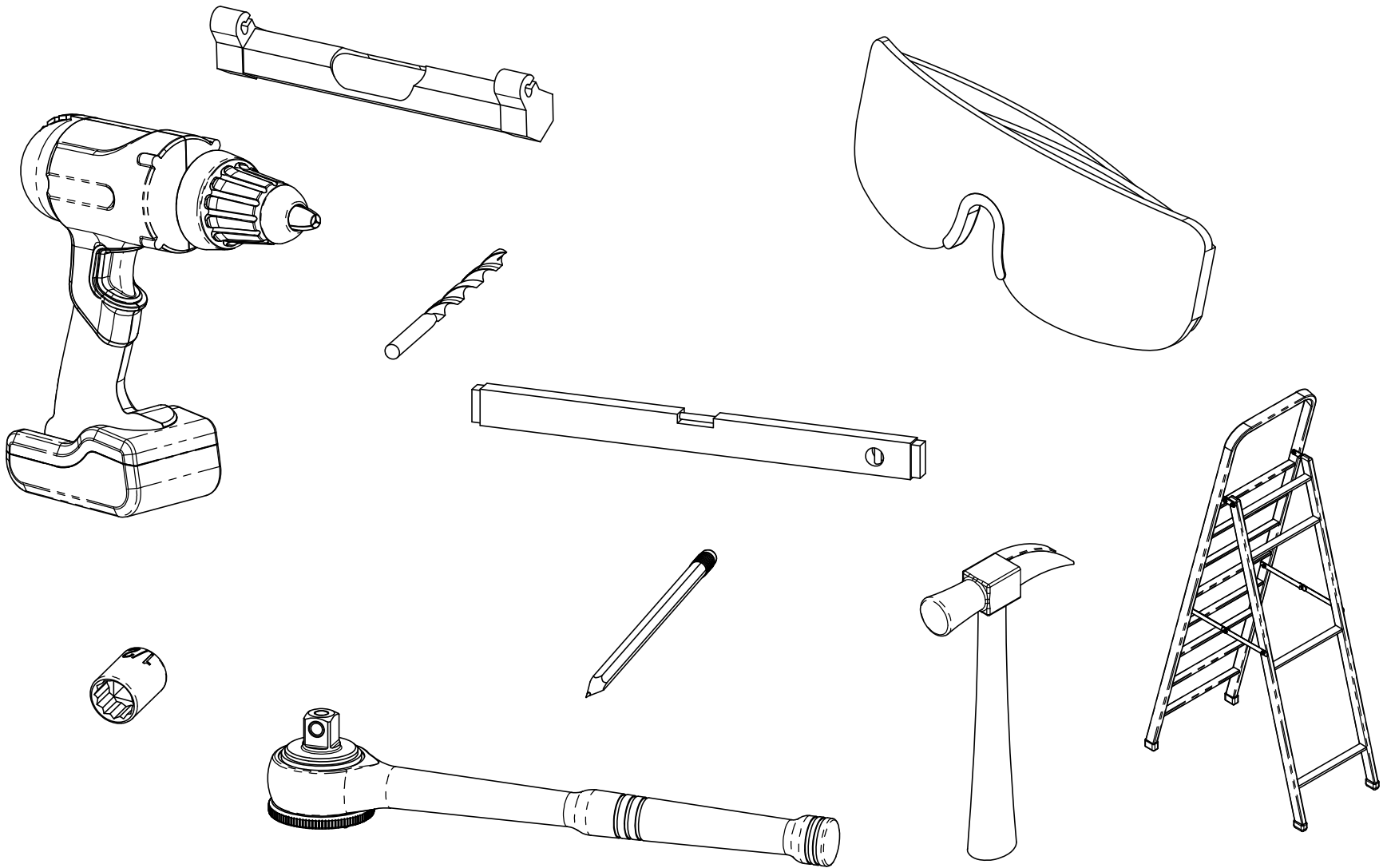
shown assembled



## 50100/50130

Installation Instructions, Steel Post to Wood Fence Brackets



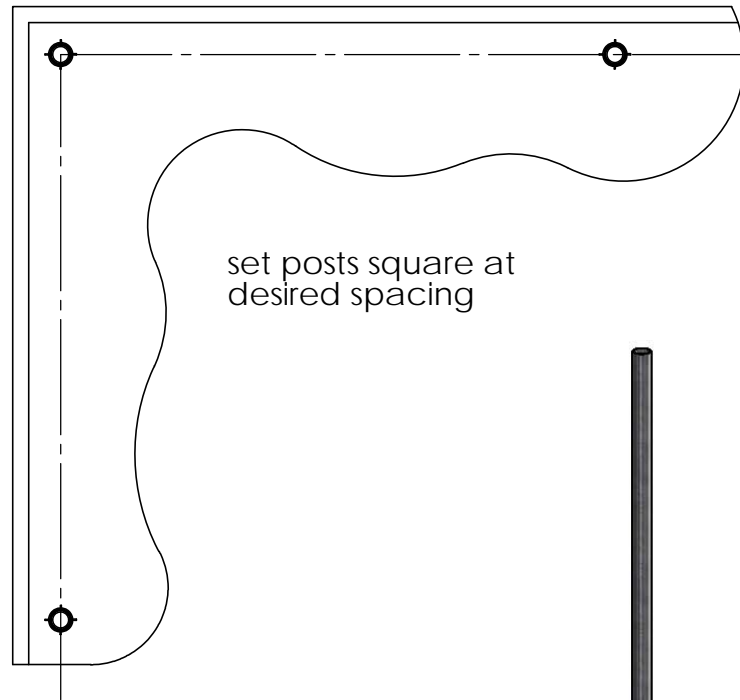


## Suggested Tools

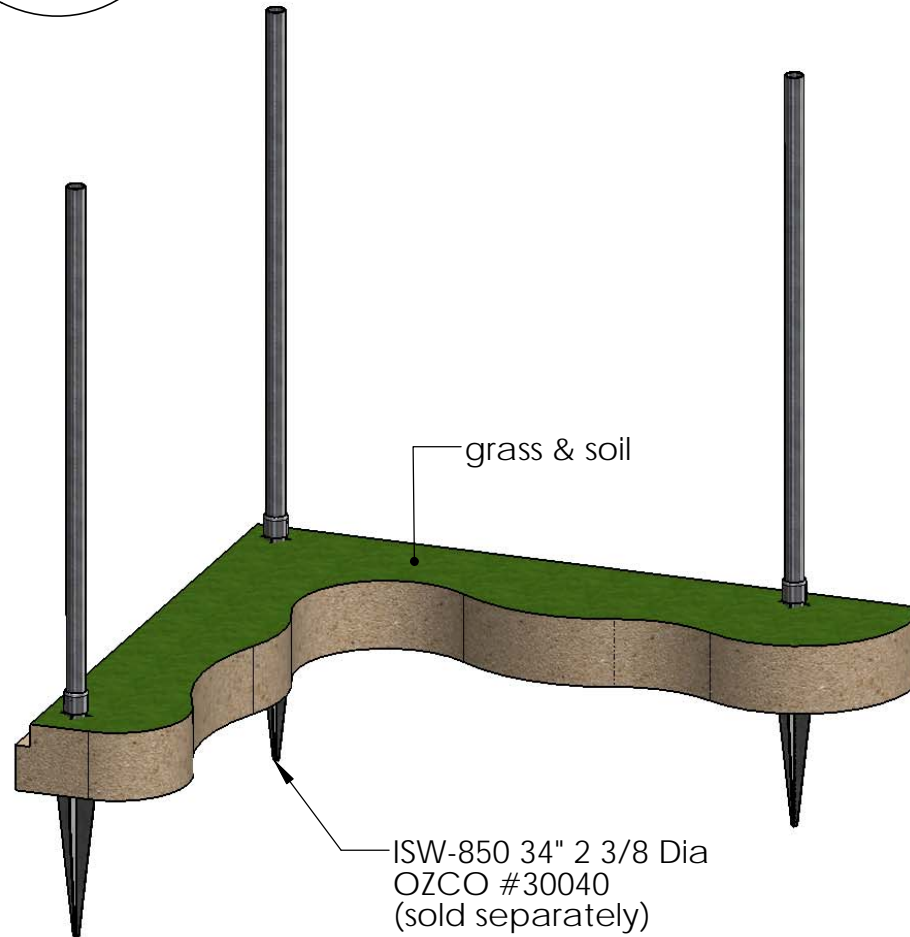
(others may be required)

Installation Instructions, Steel Post to Wood Fence Brackets





set posts square at  
desired spacing



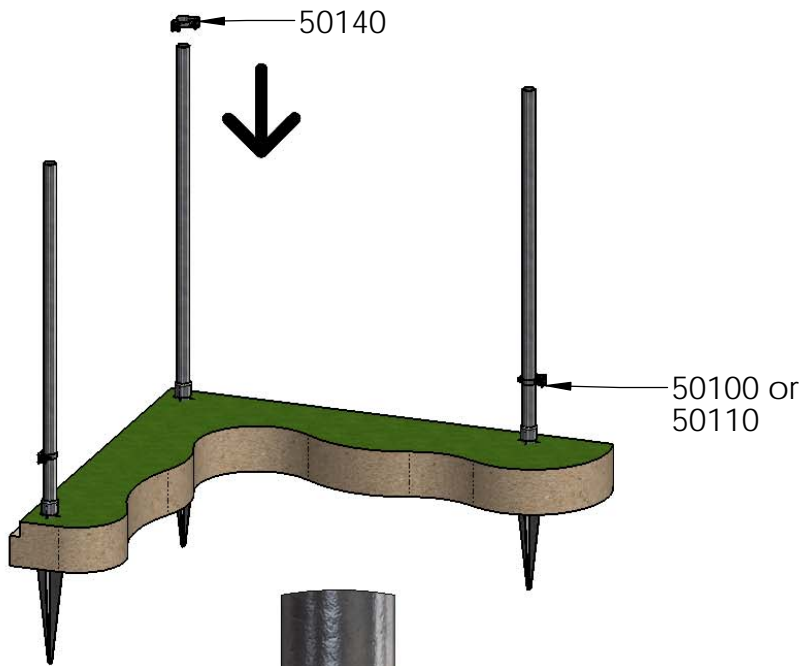
ISW-850 34" 2 3/8 Dia  
OZCO #30040  
(sold separately)

## step 1

Installation Instructions, Steel Post to Wood Fence Brackets



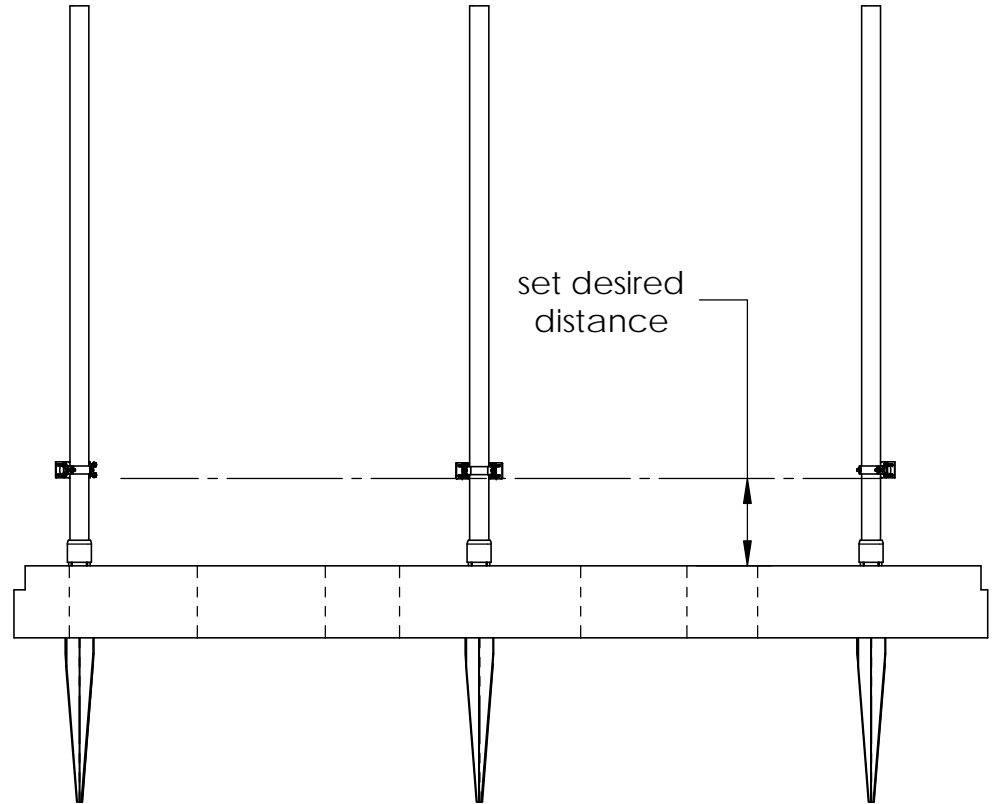
OZCO BUILDING PRODUCTS



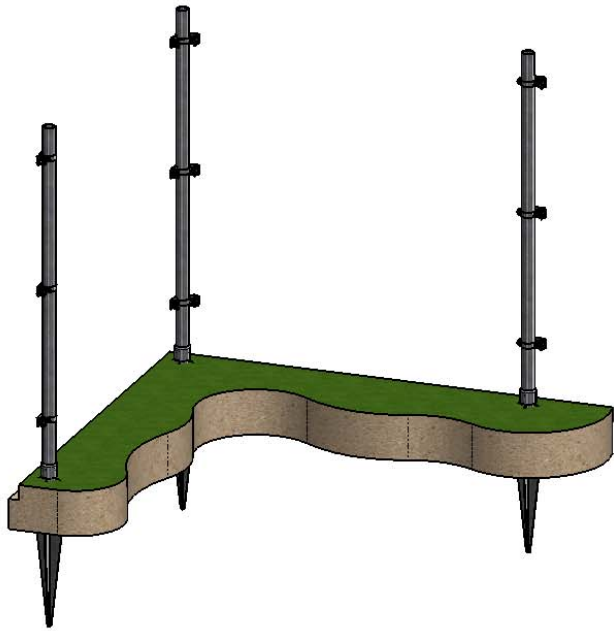
lightly secure brackets to posts

## step 2

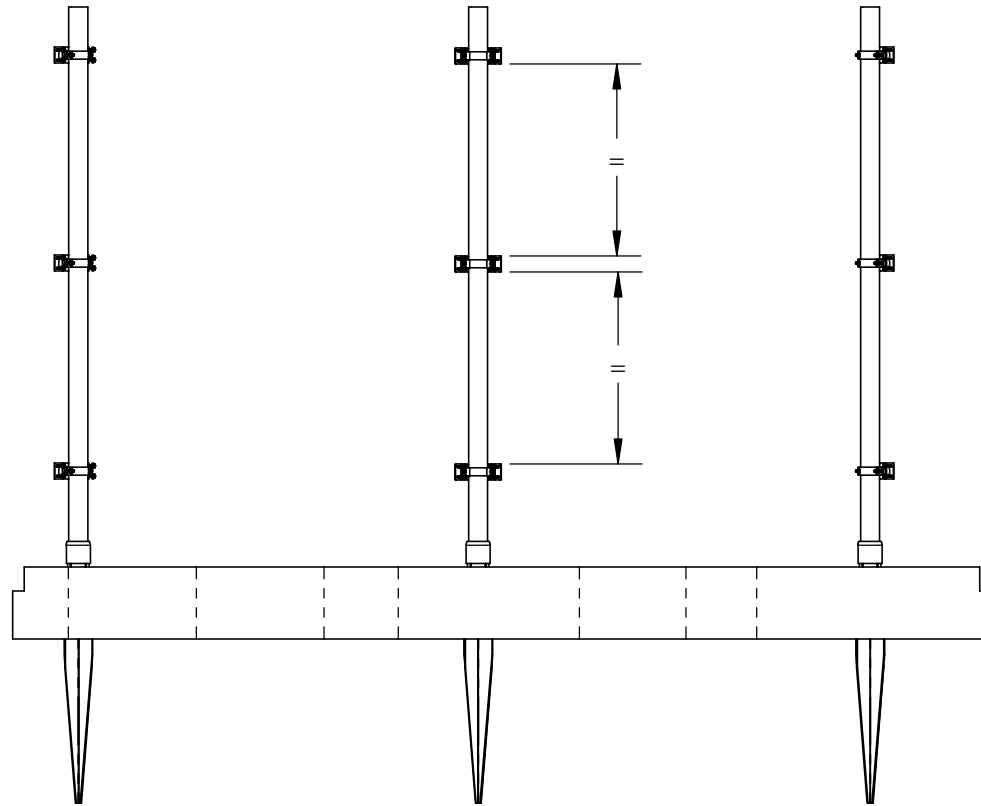
Installation Instructions, Steel Post to Wood Fence Brackets







repeat 3x, set desired spacing & lightly secure

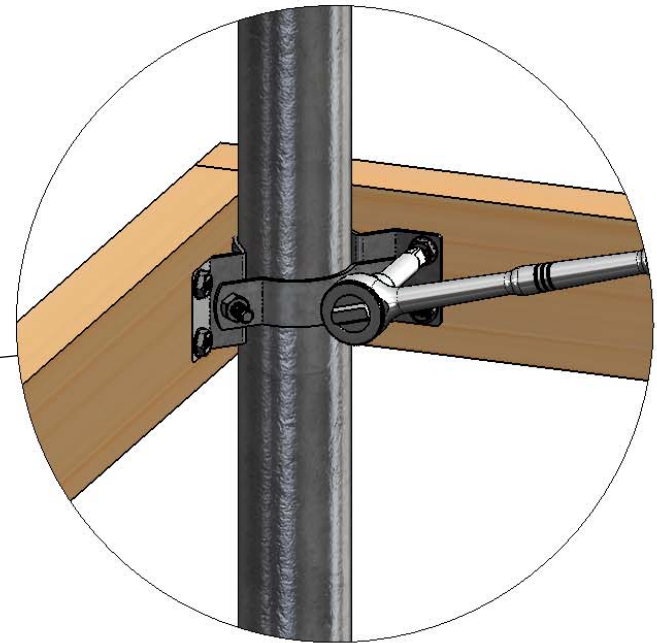
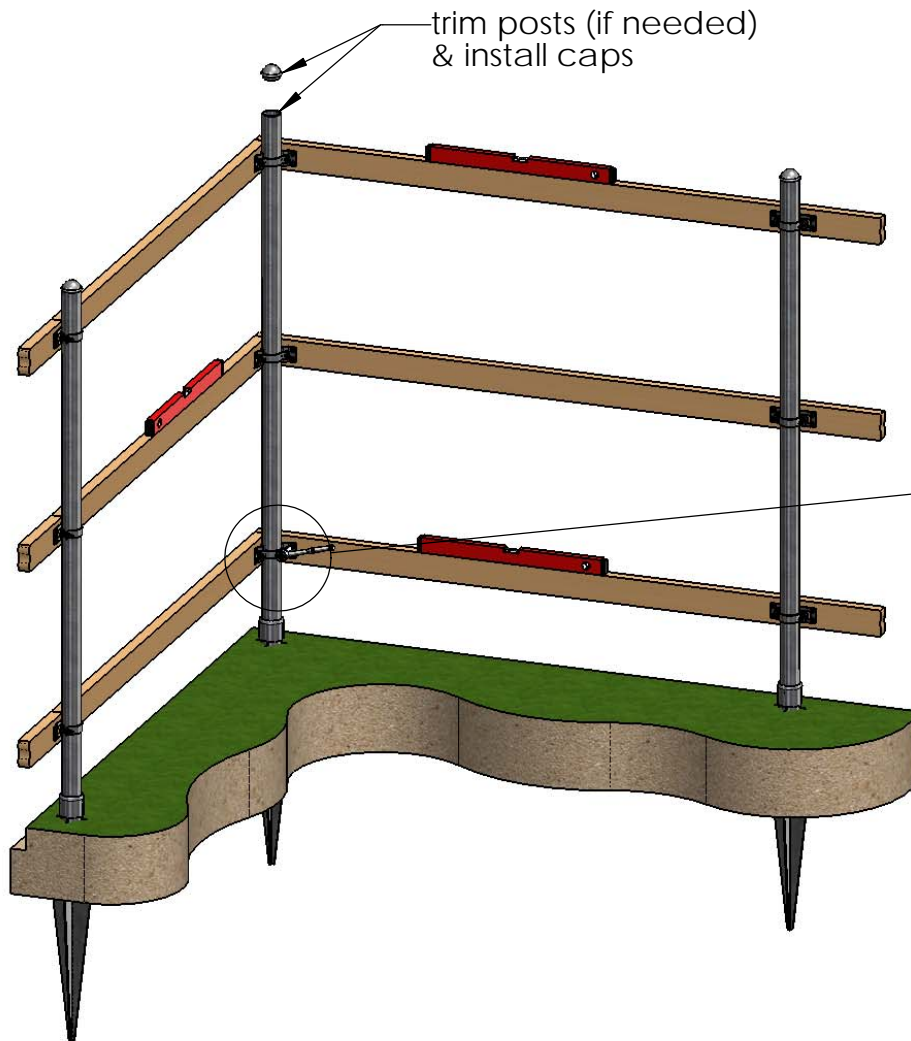


### step 3

Installation Instructions, Steel Post to Wood Fence Brackets



install beams, adjust/level & tightly secure



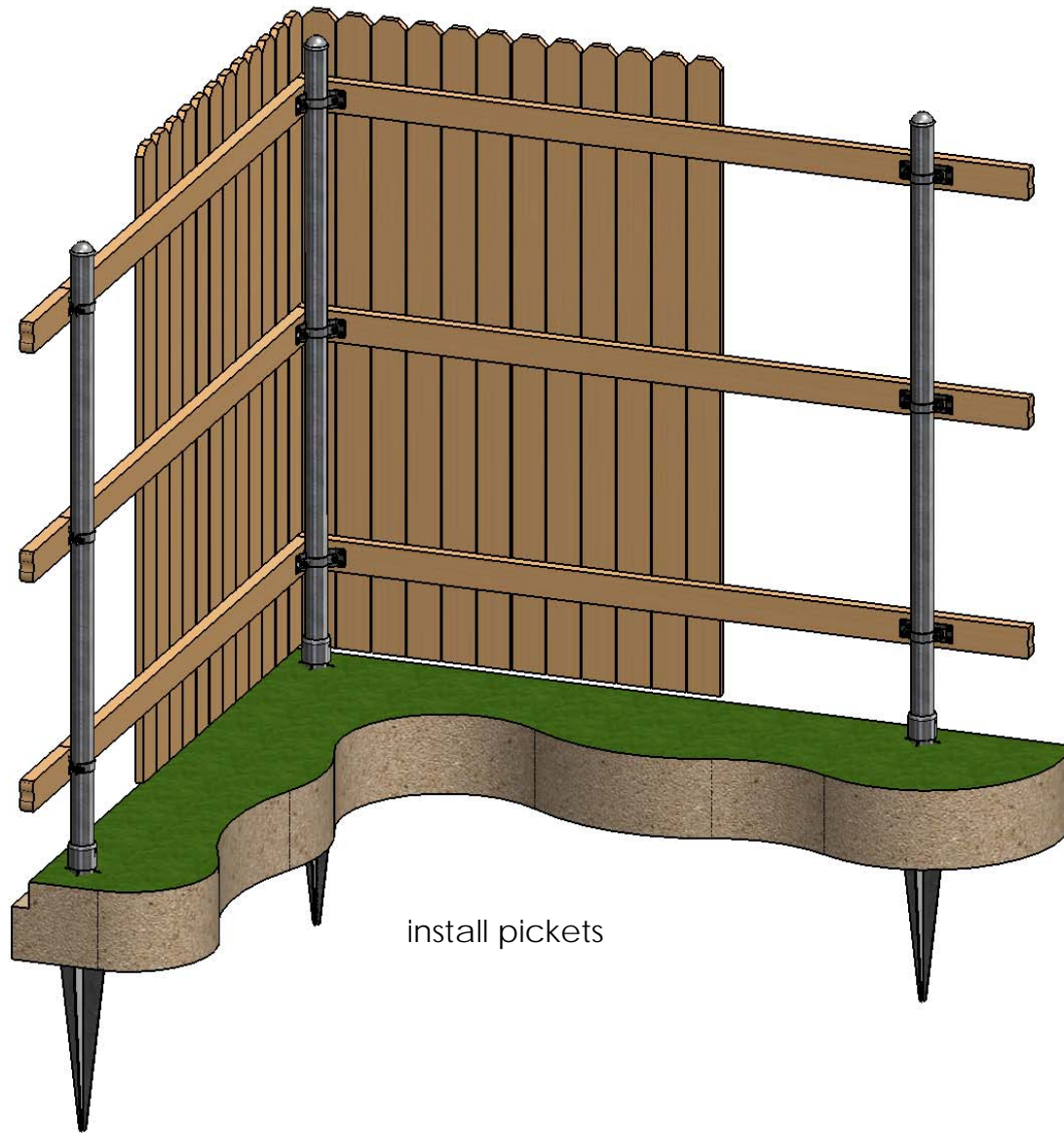
## step 4

Installation Instructions, Steel Post to Wood Fence Brackets



OZCO BUILDING PRODUCTS

V2.00 - Installation Instructions, Specifications and Project Plans are effective 10/4/2016. This information is updated periodically and should not be relied upon after 2 years from 10/4/2016. Please visit [OZCOBP.com](http://OZCOBP.com) to get current information.



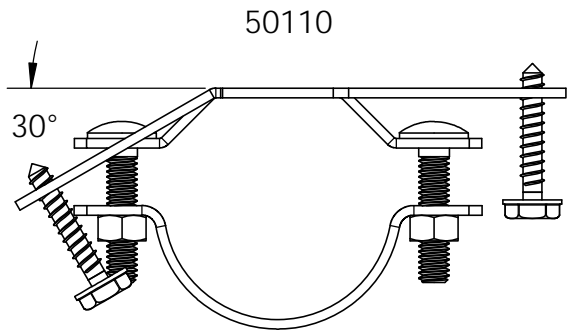
## step 5

Installation Instructions, Steel Post to Wood Fence Brackets

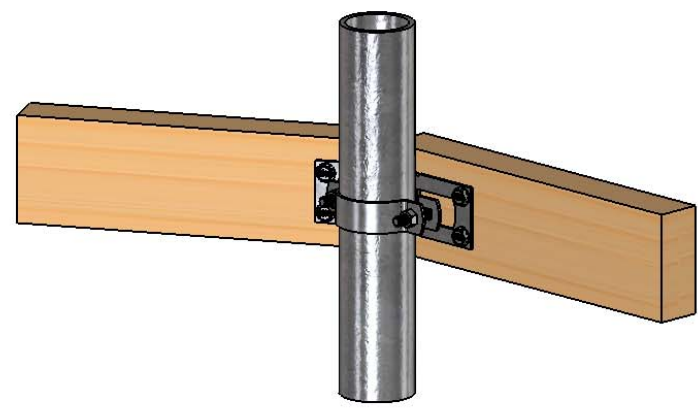


OZCO BUILDING PRODUCTS

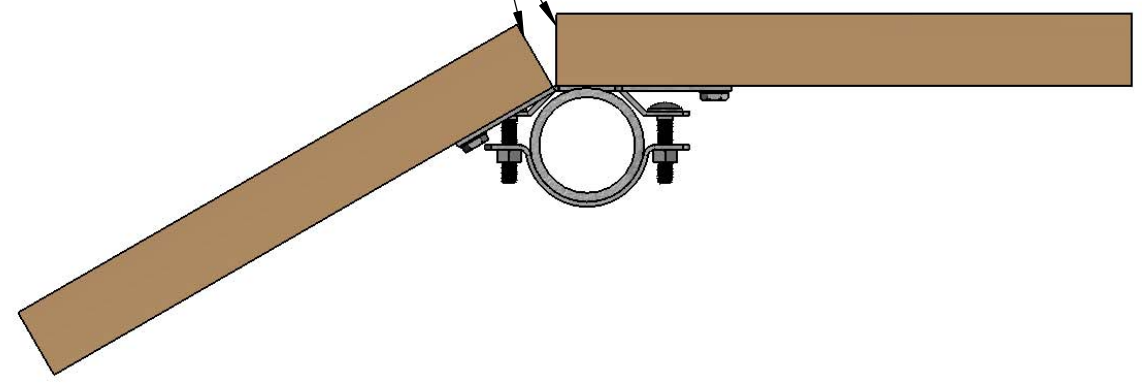
V2.00 - Installation Instructions, Specifications and Project Plans are effective 10/4/2016. This information is updated periodically and should not be relied upon after 2 years from 10/4/2016. Please visit [OZCOBP.com](http://OZCOBP.com) to get current information.



bend bracket to desired angle



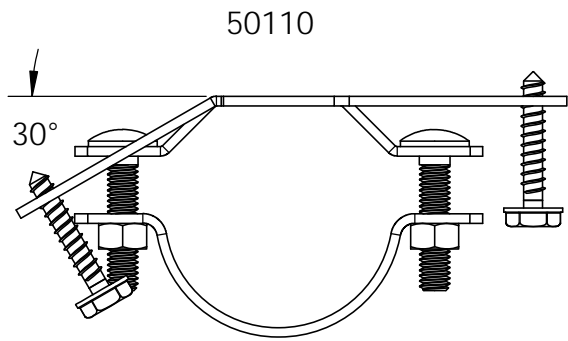
without beam trim



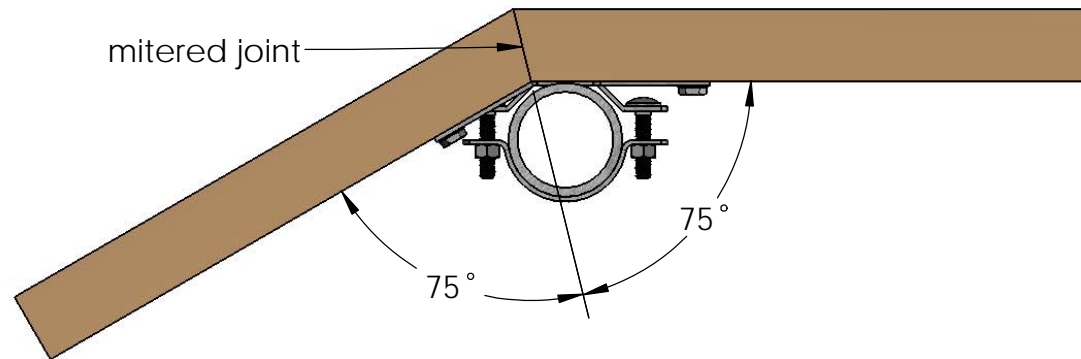
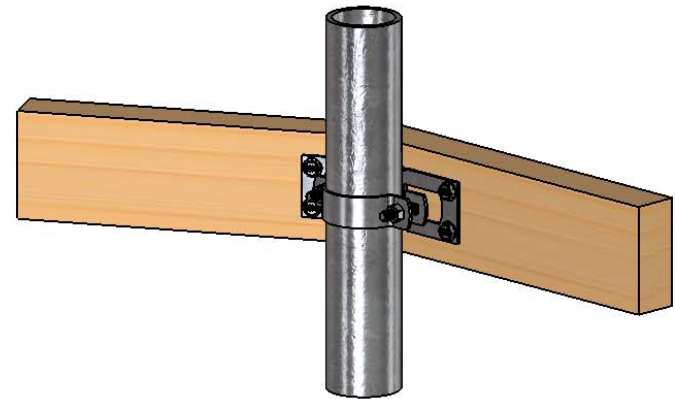
**inside 30 with no beam trim**

**Installation Instructions, Steel Post to Wood Fence Brackets**





bend bracket to desired angle

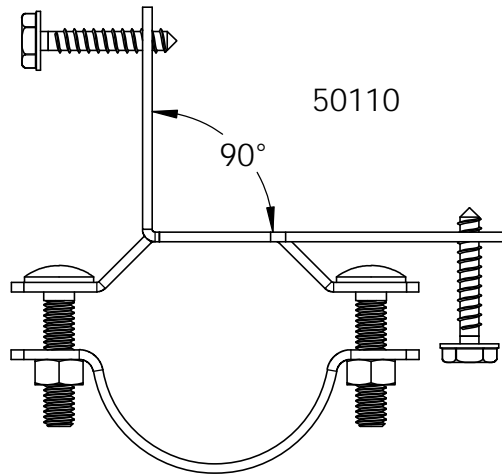


## inside 30 with mitered beam trim

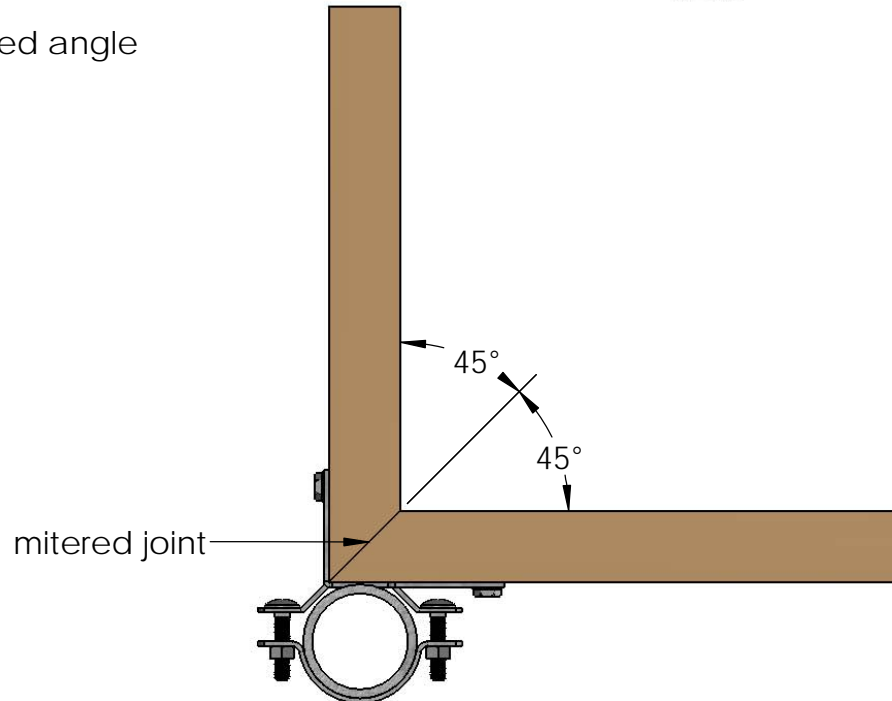
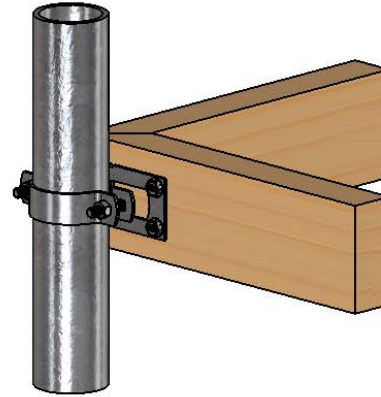
Installation Instructions, Steel Post to Wood Fence Brackets



OZCO BUILDING PRODUCTS



bend bracket to desired angle



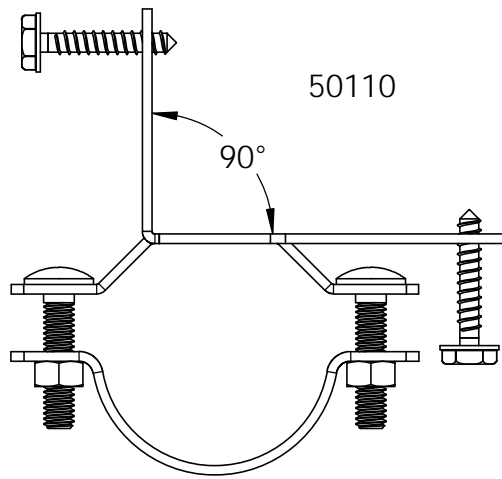
## outside 90 with mitered beam trim

Installation Instructions, Steel Post to Wood Fence Brackets



**OZCO** BUILDING PRODUCTS

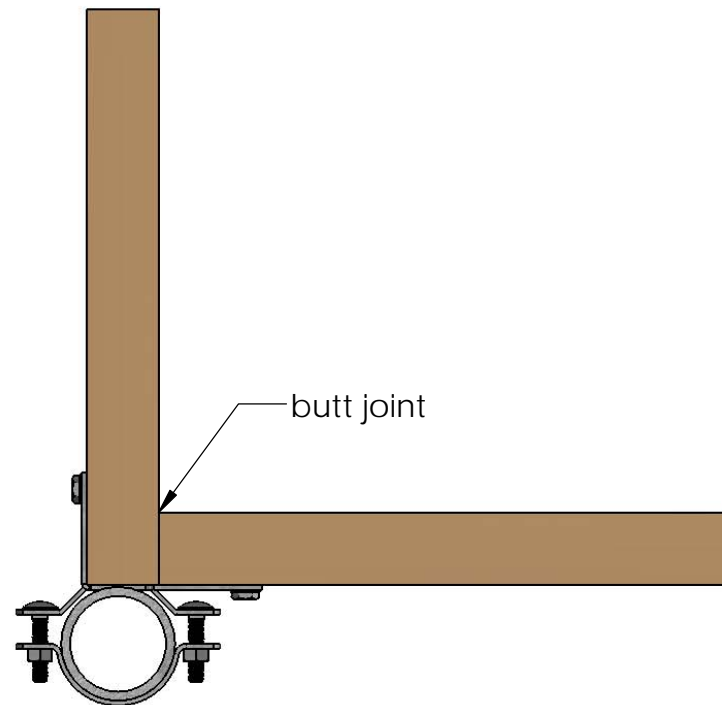
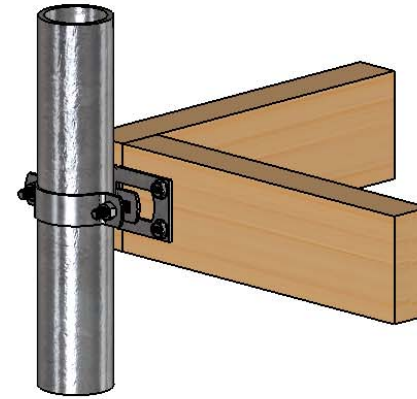
V2.00 - Installation Instructions, Specifications and Project Plans are effective 10/4/2016. This information is updated periodically and should not be relied upon after 2 years from 10/4/2016. Please visit [OZCOBP.com](http://OZCOBP.com) to get current information.



50110

90°

bend bracket to desired angle



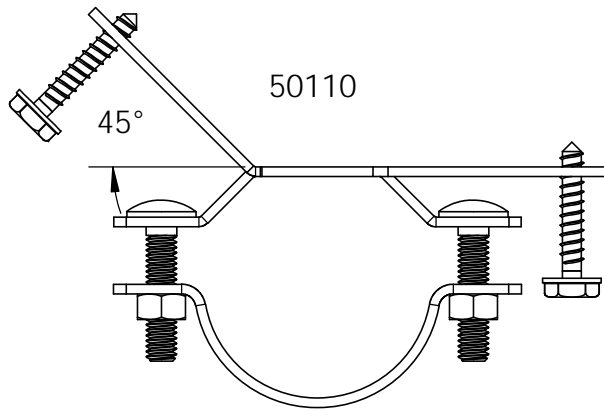
butt joint

## outside 90 no beam trim

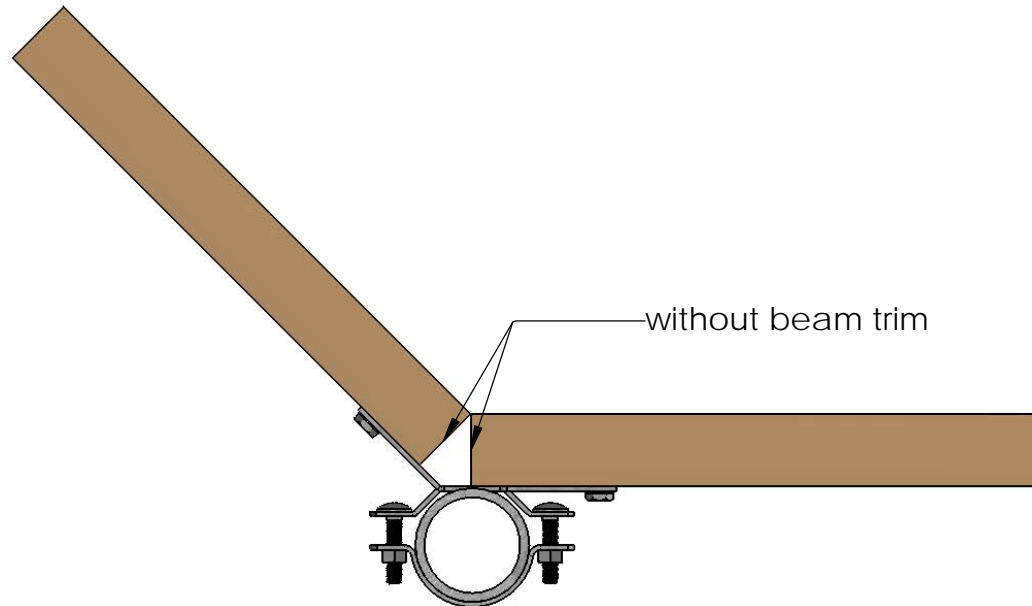
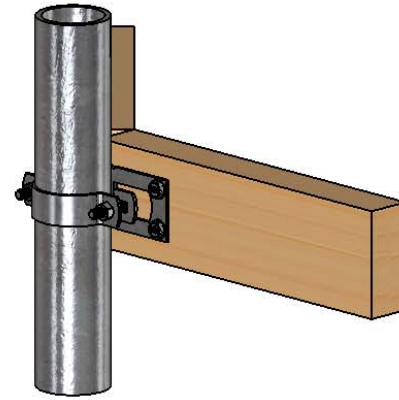
Installation Instructions, Steel Post to Wood Fence Brackets



OZCO BUILDING PRODUCTS



bend bracket to desired angle



## outside 45 no beam trim

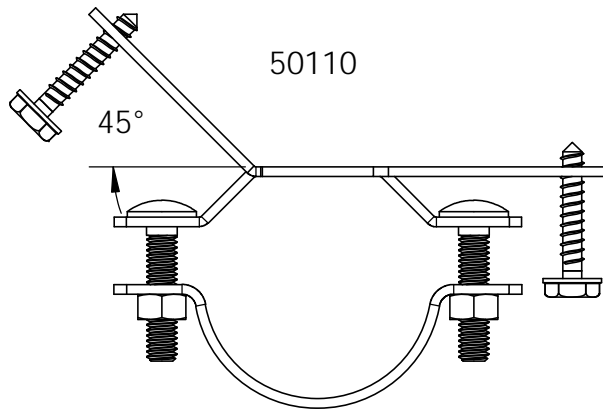
Installation Instructions, Steel Post to Wood Fence Brackets



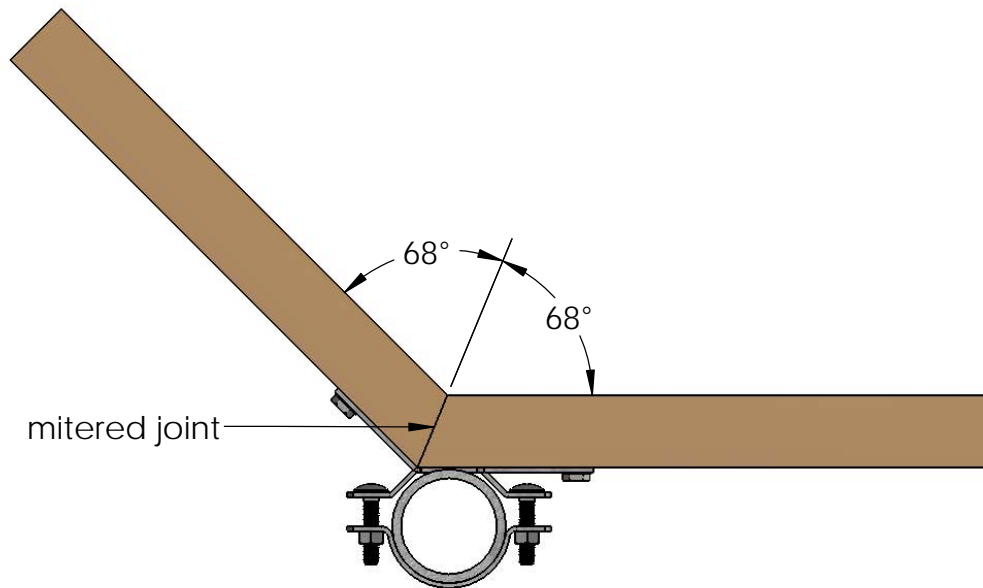
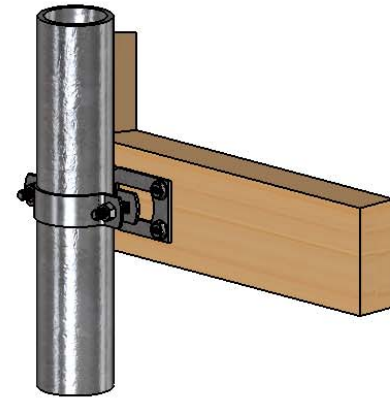
OZCO BUILDING PRODUCTS

V2.00 - Installation Instructions, Specifications and Project Plans are effective 10/4/2016. This information is updated periodically and should not be relied upon after 2 years from 10/4/2016. Please visit OZCOBP.com to get current information.





bend bracket to desired angle



## outside 45 with mitered beam trim

Installation Instructions, Steel Post to Wood Fence Brackets



OZCO BUILDING PRODUCTS