



PROJECT SOURCE.®

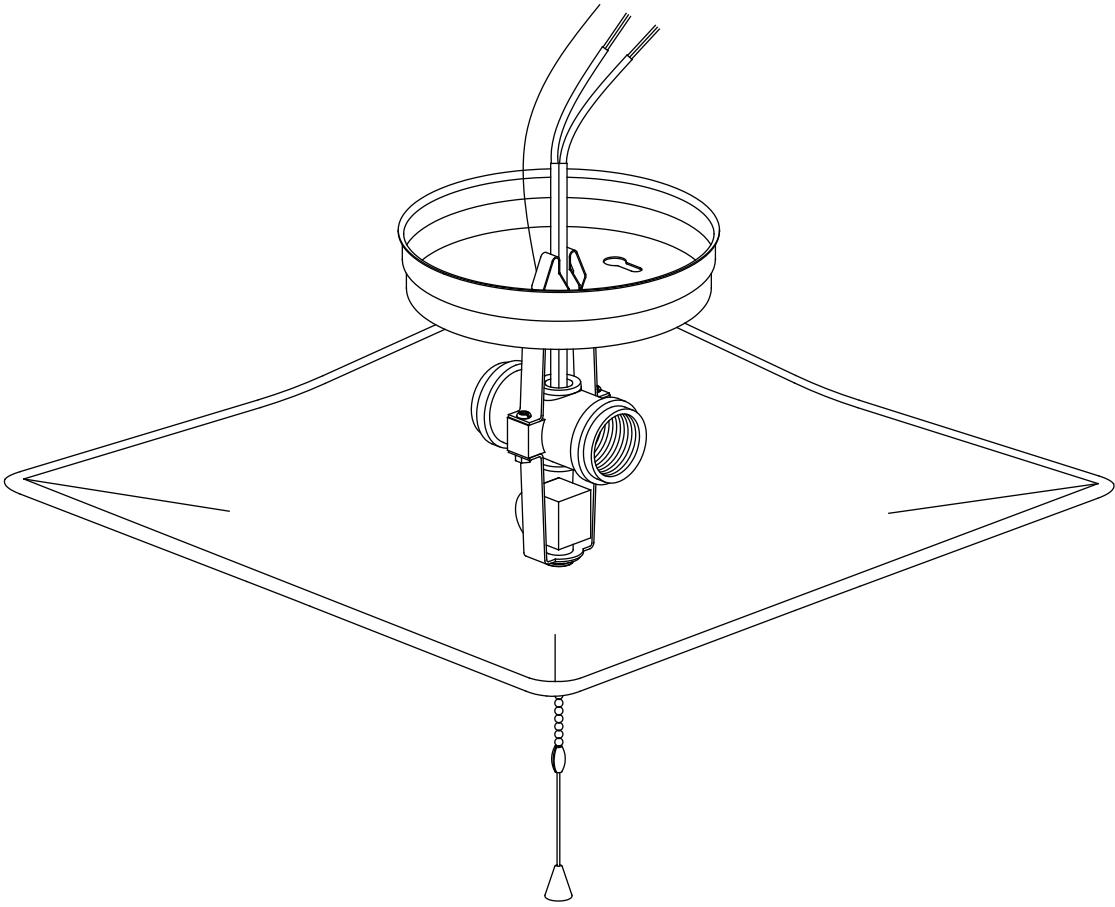
SEMI-FLUSHMOUNT CEILING FIXTURE

MODEL #FJ10-163-1

Project Source® is a registered trademark of LF, LLC. All rights reserved.

Français p. 8

Español p. 15



ATTACH YOUR RECEIPT HERE

Serial Number _____ Purchase Date _____

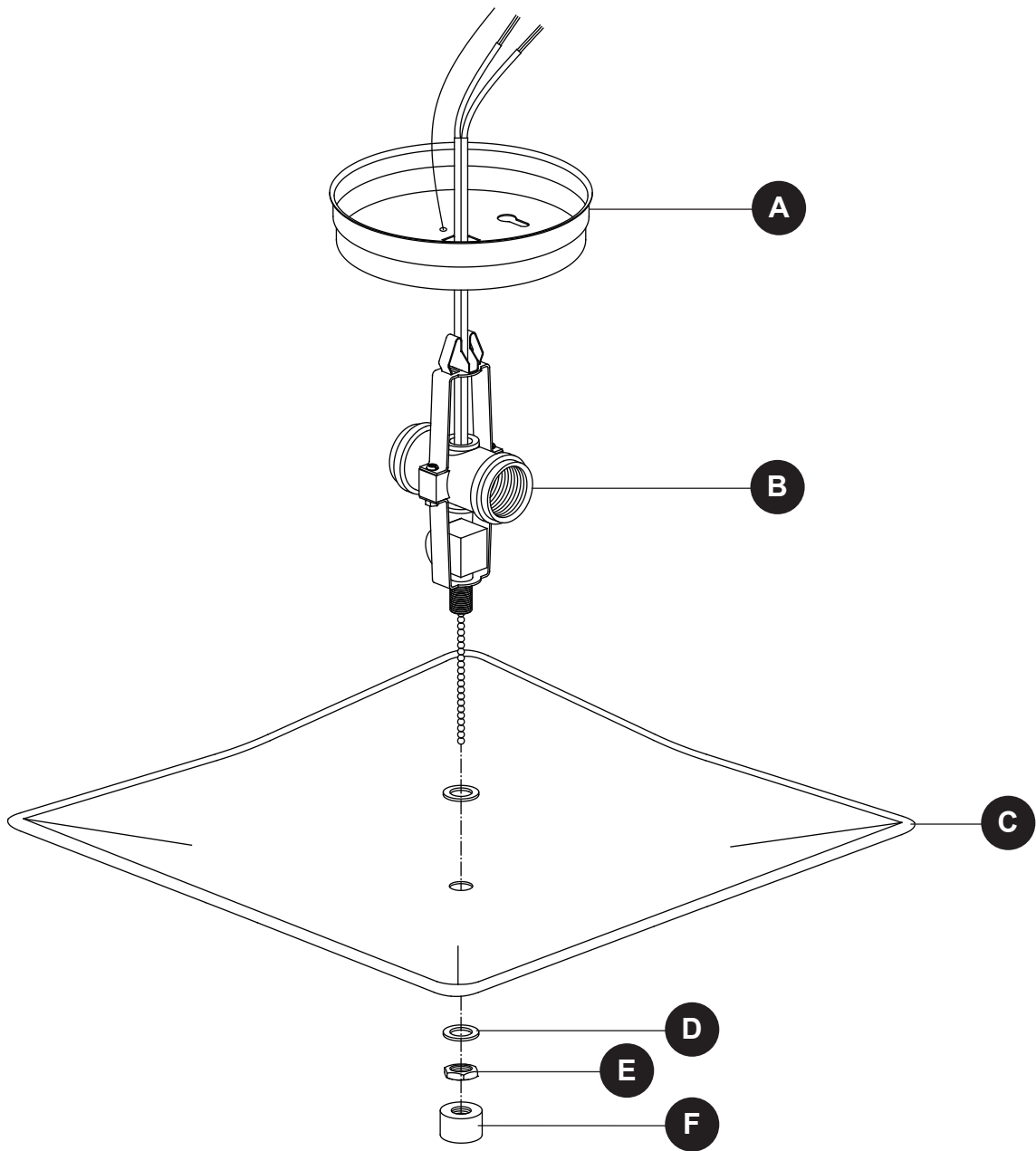


Intertek



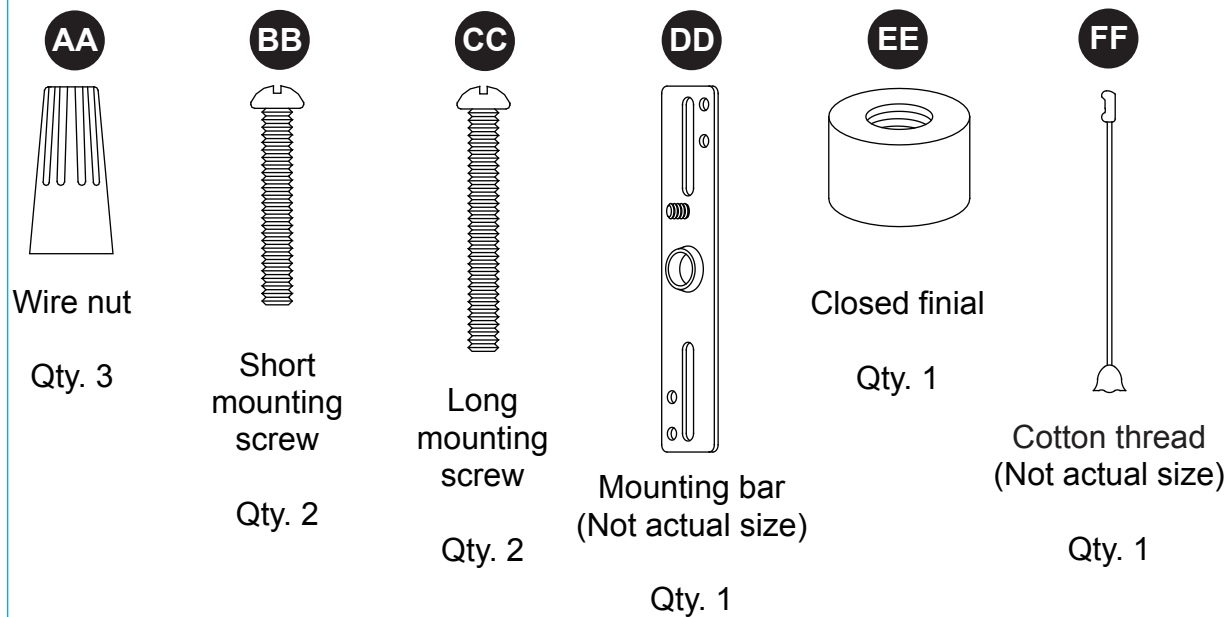
Questions, problems, missing parts? Before returning to your retailer, call our customer service department at 1-866-389-8827, 8 a.m. - 6 p.m., EST, Monday - Thursday, 8 a.m. - 5 p.m., EST, Friday.

PACKAGE CONTENTS



PART	DESCRIPTION	QUANTITY
A	Ceiling plate	1
B	Lamp holder	1
C	Glass shade	1
D	Rubber ring (preassembled to Lamp holder (B))	2
E	Nut (preassembled to Lamp holder (B))	1
F	Finial (preassembled to Lamp holder (B))	1

HARDWARE CONTENTS (shown actual size)



SAFETY INFORMATION

Please read and understand this entire manual before attempting to assemble, operate or install the product.

WARNING

- TURN OFF ELECTRICITY at main fuse box (or circuit breaker box) before beginning installation by removing fuse (or switching off circuit breaker).
- MINIMUM 90°C SUPPLY CONDUCTORS.

CAUTION

- CONSULT A QUALIFIED ELECTRICIAN TO ENSURE CORRECT BRANCH CIRCUIT CONDUCTOR.
- If in doubt about electrical installation, consult a licensed electrician.

PREPARATION

Before beginning assembly of product, make sure all parts are present. Compare parts with package contents list and hardware contents above. If any part is missing or damaged, do not attempt to assemble the product. Contact customer service for replacement parts.

Estimated Assembly Time: 20 minutes




Tools Required for Assembly (not included): Flathead screwdriver, Phillips screwdriver, Pliers, Electrical tape, Wire cutters, Safety glasses.

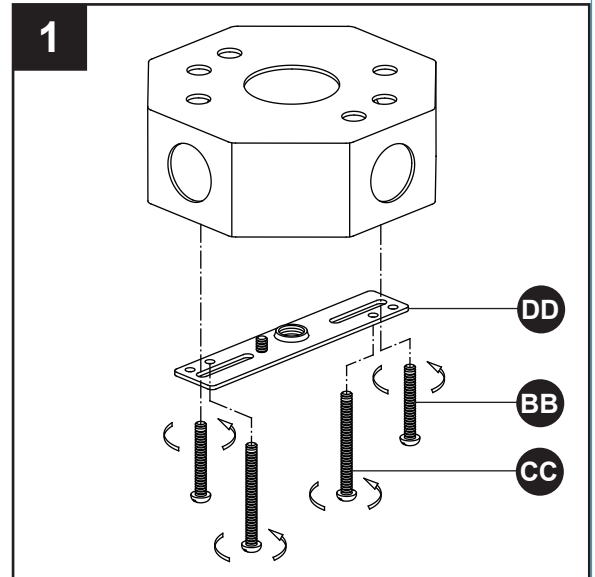
Helpful Tools (not included): Wire strippers, Step ladder.

ASSEMBLY INSTRUCTIONS

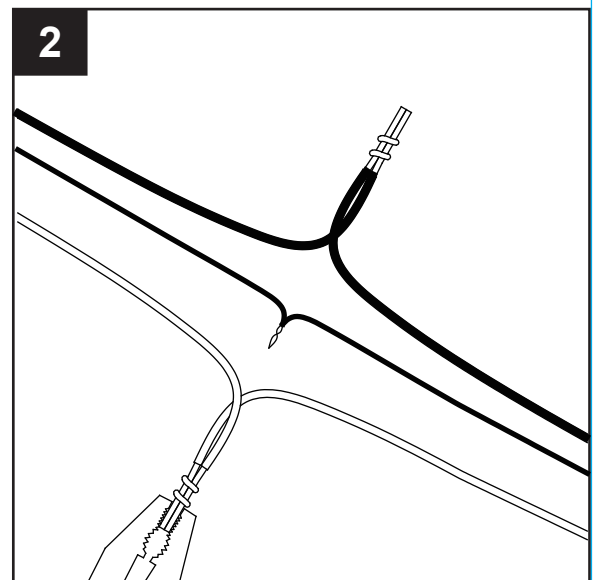
1. Attach the mounting bar (DD) by tightening the short mounting screws (BB) securely into the outlet box (not included). Attach the long mounting screws (CC) into the mounting bar (DD).

Hardware Used

- BB** Short mounting screw  x 2
- CC** Long mounting screw  x 2
- DD** Mounting bar  x 1



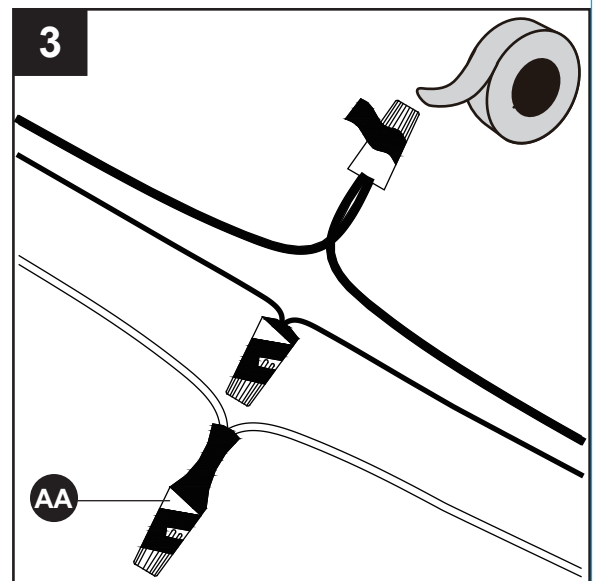
2. Strip 3/4 in. of insulation from wire ends. Twist stripped ends together with pliers (not included), black to black (power) and white to white (neutral). Attach copper wire to ground wire. **Helpful hint:** If necessary, attach copper ground wire to grounded junction box.



3. Attach wire nuts (AA). Tape wire nuts (AA) and wires together.

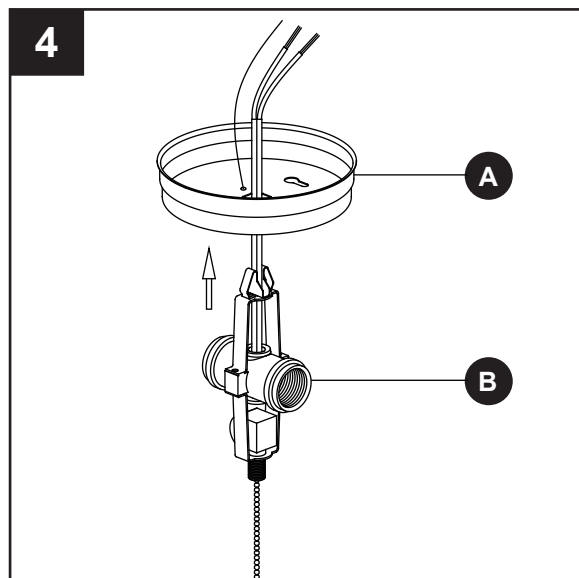
Hardware Used

- AA** Wire nut  x 3

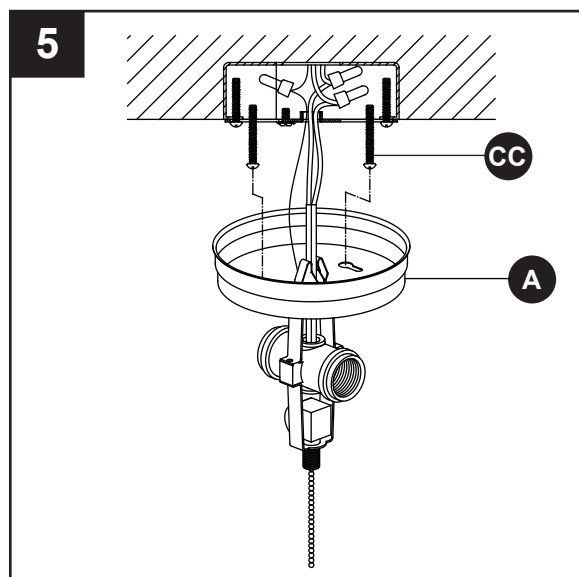


ASSEMBLY INSTRUCTIONS


4. Place ceiling plate (A) onto long mounting screws (CC). Place the spring on the lamp holder (B) into the center hole on the ceiling plate (A).



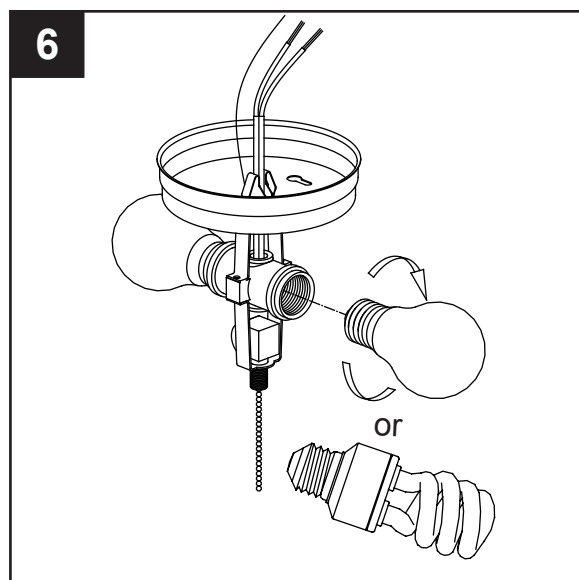
5. Place the ceiling plate (A) over the outlet box. Both heads of the long mounting screws (CC) are to come out through the large ends of the key holes. Twist the ceiling plate (A) until heads of long mounting screws (CC) slide into narrow ends of key holes. Fully tighten long mounting screws (CC) to secure the ceiling plate (A).



Hardware Used

CC Long mounting screw  x 2

6. Install light bulbs (not included). Use only 60-watt or less standard-base bulbs or 13-watt standard-base CFL bulbs.

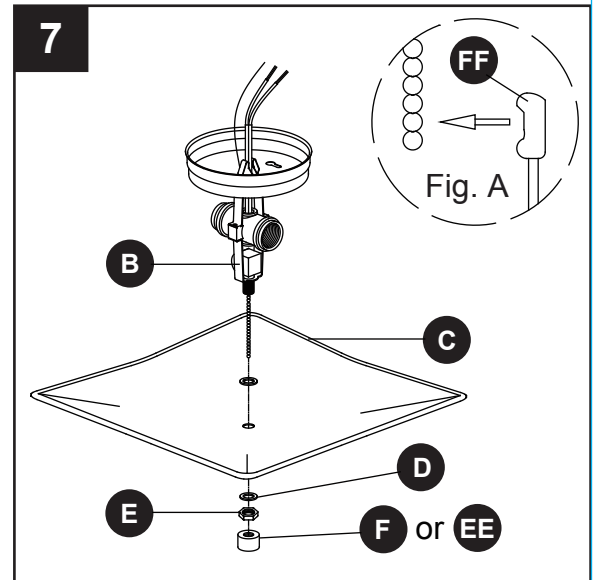


ASSEMBLY INSTRUCTIONS

7. Remove the finial (F) and nut (E) as well as rubber ring (D) from the lamp holder (B). Then pass the threaded nipple of lamp holder (B) with the chain through the glass shade (C), and secure rubber ring (D), nut (E), and finial (F).

• Note:

1. To use the pull chain, install the finial (F) as instructed above. If a longer pull chain is desired, also attach the cotton thread (FF) to the pull chain (Fig. A).
2. If the pull chain is not desired, pull the chain to activate the light and then cut the chain off and install the closed finial (EE) instead.



CARE AND MAINTENANCE

- Shut off main power supply before wiping product with damp cloth or window cleaner. Do not use abrasives.
- Bulb replacement: Use 60-watt or less standard-base bulbs or 13-watt standard-base CFL bulbs.

TROUBLESHOOTING

PROBLEM	POSSIBLE CAUSE	CORRECTIVE ACTION
Bulb won't light.	<ol style="list-style-type: none"> 1. Bulb is burned out. 2. Power is off. 3. Faulty wire connection. 4. Faulty switch. 	<ol style="list-style-type: none"> 1. Replace light bulb. 2. Make sure power supply is on. 3. Check wiring. 4. Test or replace switch.
Fuse blows or circuit breaker trips when light is turned on.	Crossed wires or power wire is grounding out.	Check wire connections.

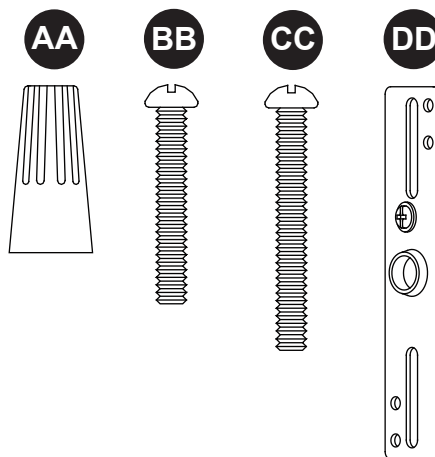
WARRANTY

The manufacturer warrants all of its lighting fixtures against defects in materials and workmanship for one (1) year from the date of purchase. If within this period the product is found to be defective in material or workmanship, the product must be returned, with a copy of the original sales receipt as proof of purchase in the original carton, to the place of purchase. The manufacturer will, at its option, repair, replace or refund the original purchase price to the consumer. This warranty does not cover fixtures becoming defective due to misuse, accidental damage, improper handling and/or installation and specifically excludes liability for direct, incidental or consequential damages. As some states do not allow exclusions or limitations on an implied warranty, the above exclusions and limitations may not apply to you. This warranty gives you specific legal rights, and you may have other rights that vary from state to state.

REPLACEMENT PARTS LIST


For replacement parts, call our customer service department at 1-866-389-8827, 8 a.m. - 6 p.m., EST, Monday - Thursday, 8 a.m. - 5 p.m., EST, Friday.

PART	DESCRIPTION	PART #
AA	Wire nut	375-022000
BB	Short mounting screw	109-042600
CC	Long mounting screw	109-043200
DD	Mounting bar	139-103000



Printed in China

Project Source® is a registered trademark of LF, LLC. All rights reserved.

Lowes.com  **PROJECT SOURCE.**