



Portfolio® is a registered trademark of LF, LLC. All rights reserved.

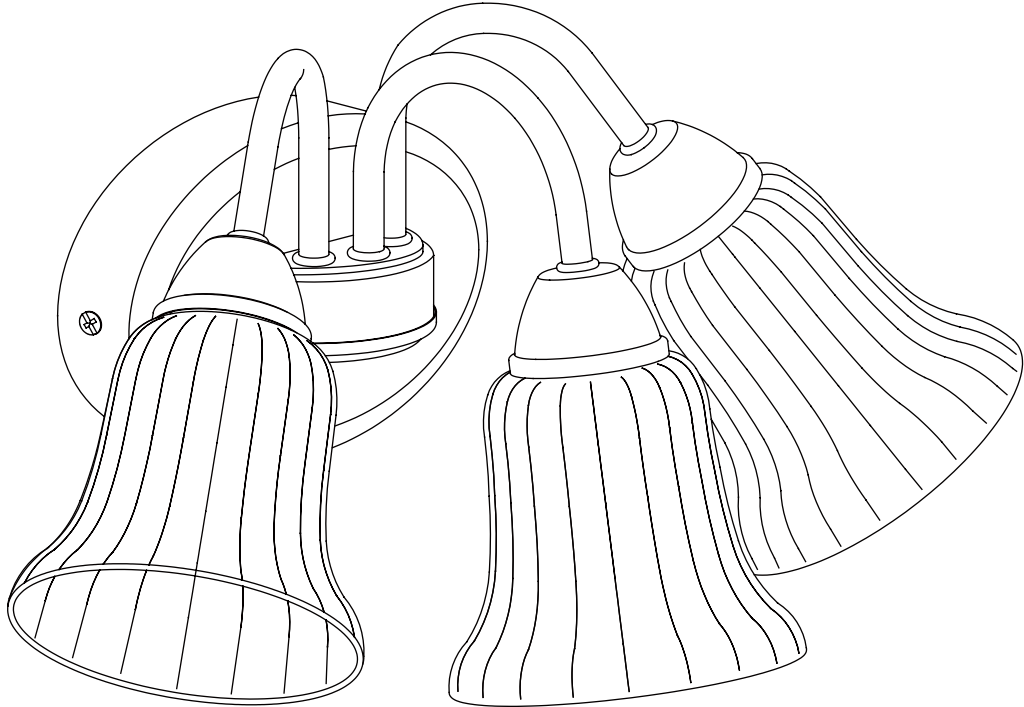
ITEM #0030597

3-LIGHT VANITY BAR WITH OUTLET

MODEL #FV12-095-1

Français p. 8

Español p. 15



ATTACH YOUR RECEIPT HERE

Serial Number _____ Purchase Date _____



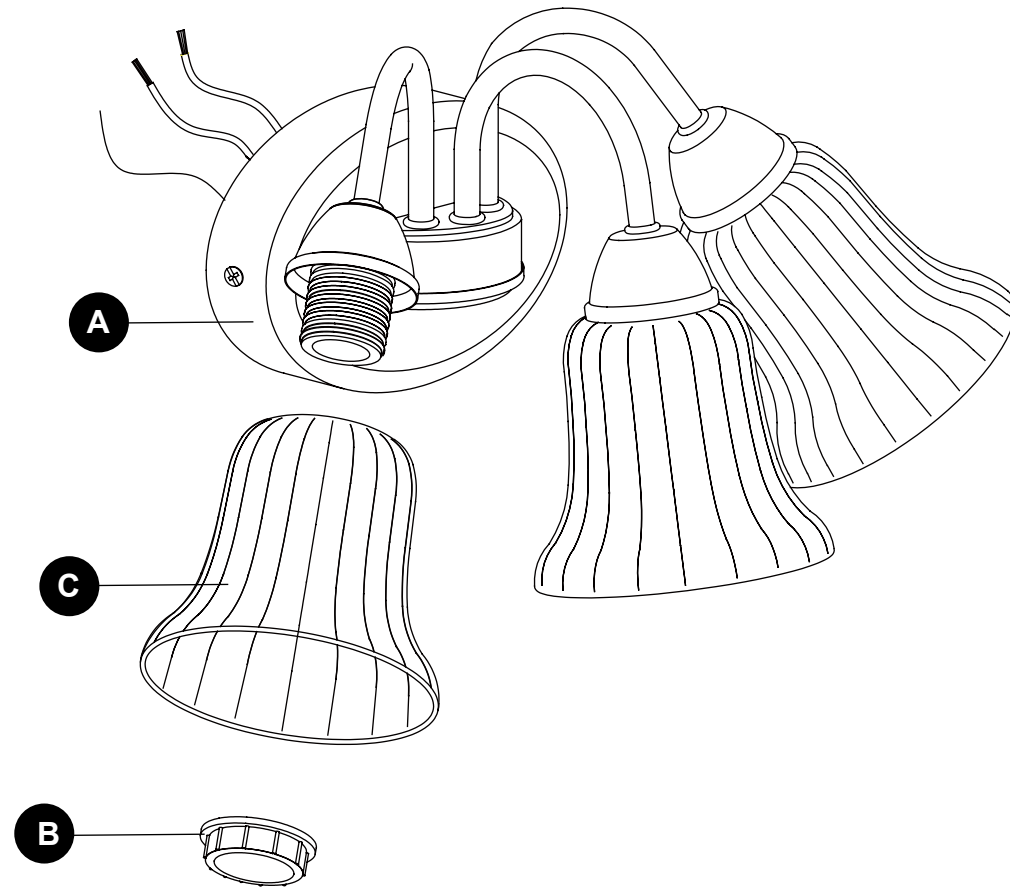
Intertek



Questions, problems, missing parts? Before returning to your retailer, call our customer service department at 1-800-643-0067, 8 a.m. - 6 p.m., EST, Monday - Thursday, 8 a.m. - 5 p.m., EST, Friday.

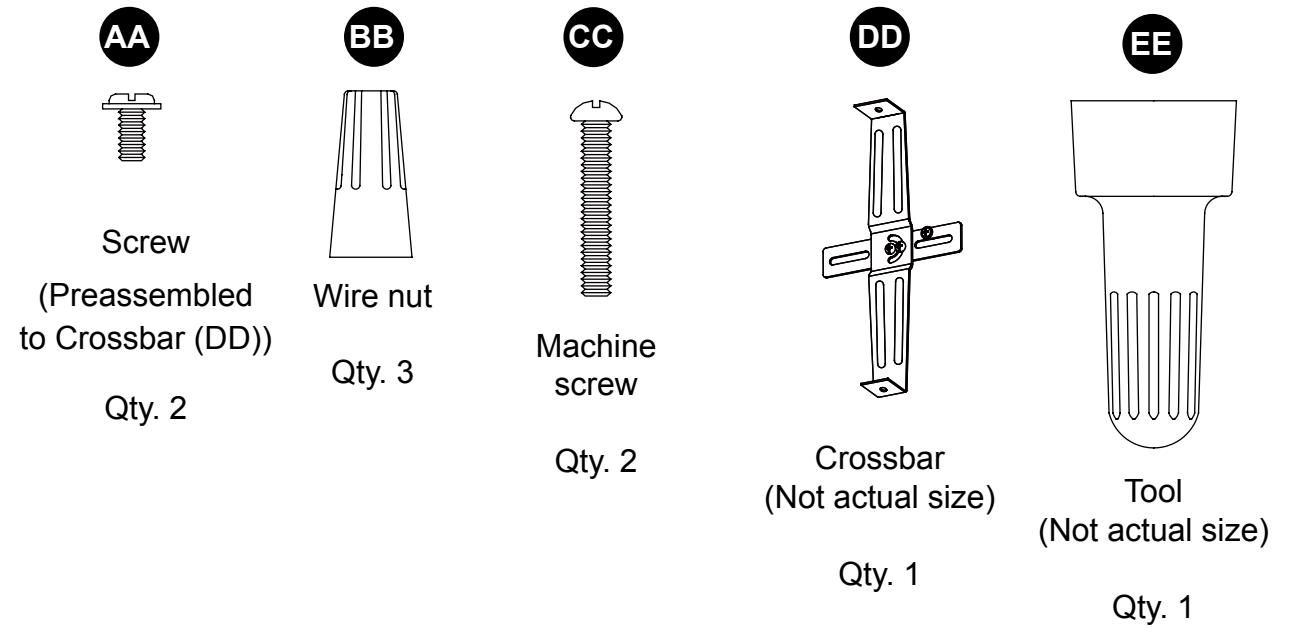


PACKAGE CONTENTS



PART	DESCRIPTION	QUANTITY
A	Fixture	1
B	Socket ring (preassembled to Fixture (A))	3
C	Glass shade	3

HARDWARE CONTENTS (shown actual size)



! SAFETY INFORMATION

Please read and understand this entire manual before attempting to assemble, operate or install the product.

! WARNING

- TURN OFF ELECTRICITY at main fuse box (or circuit breaker box) before beginning installation by removing fuse (or switching off circuit breaker).
- MINIMUM 90°C SUPPLY CONDUCTORS.
- This fixture includes plug-in receptacle outlet, MAX 5 amp for the capacity of the appliance plugged into the outlet.

CAUTION

- CONSULT A QUALIFIED ELECTRICIAN TO ENSURE CORRECT BRANCH CIRCUIT CONDUCTOR.
- If in doubt about electrical installation, consult a licensed electrician.

PREPARATION

Before beginning assembly of product, make sure all parts are present. Compare parts with package contents list and hardware contents list. If any part is missing or damaged, do not attempt to assemble the product.

Estimated Assembly Time: 25 minutes

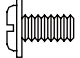


Tools Required for Assembly (not included): Flathead screwdriver, Phillips screwdriver, Pliers, Electrical tape, Wire cutters, Safety glasses.

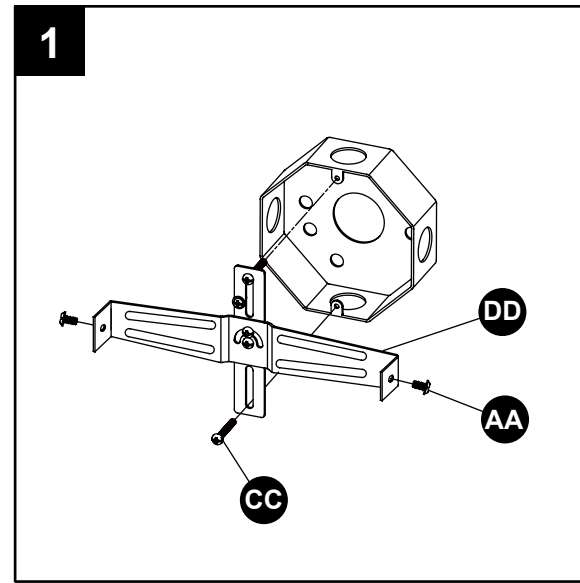
Helpful Tools (not included): Wire strippers.

ASSEMBLY INSTRUCTIONS

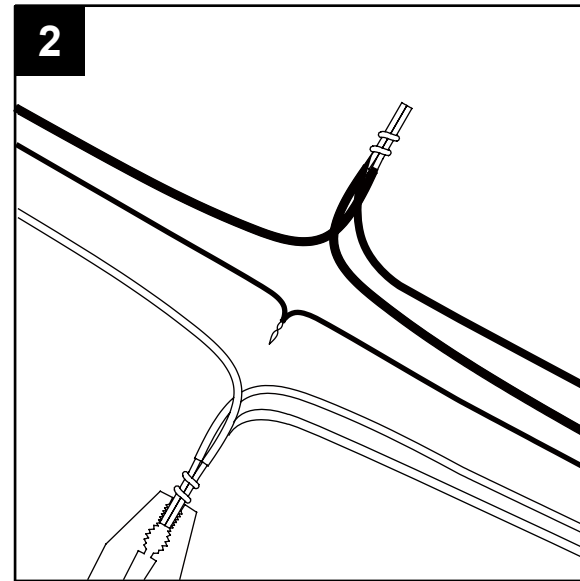
1. Remove screws (AA) from crossbar (DD) and save for later use. Attach the crossbar (DD) to the outlet box (not included) with machine screws (CC).

Hardware Used

- | | | |
|-------------------------|---|-----|
| AA Screw |  | x 2 |
| CC Machine screw |  | x 2 |
| DD Crossbar |  | x 1 |



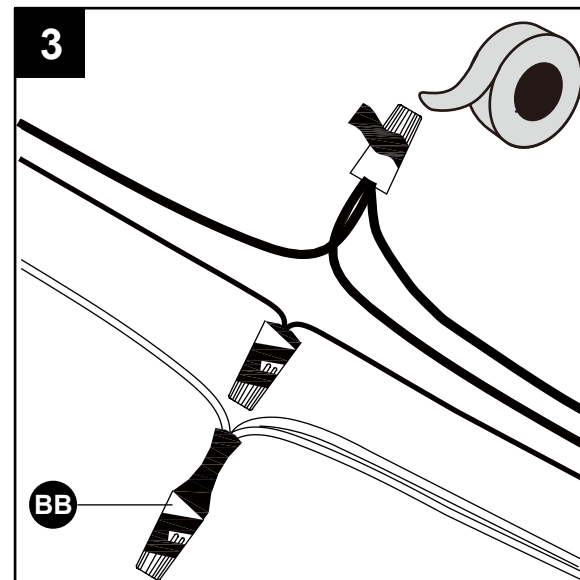
2. Strip 3/4 in. of insulation from wire ends. Twist stripped ends together with pliers (not included), black to black (power) and white to white (neutral). Attach copper wire to ground wire. **Helpful hint:** If necessary, attach copper ground wire to grounded junction box.



3. Attach wire nuts (BB). Tape wire nuts (BB) and wires together.

Hardware Used

- | | | |
|--------------------|---|-----|
| BB Wire nut |  | x 3 |
|--------------------|---|-----|

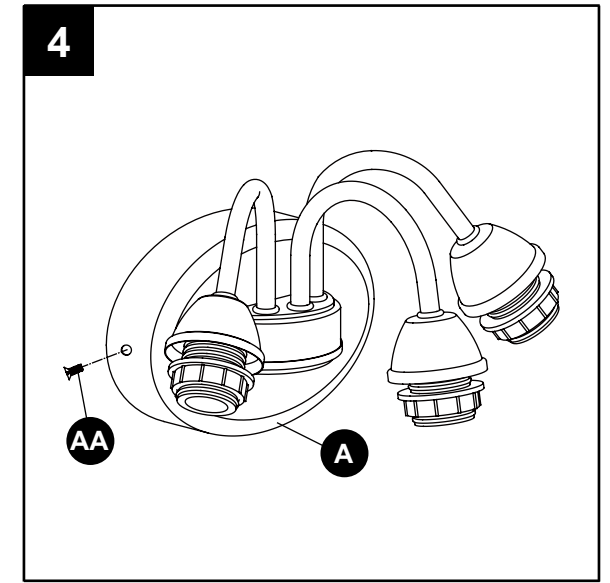


ASSEMBLY INSTRUCTIONS

4. Place the fixture (A) over the outlet box. Secure with screws (AA) previously removed.

Hardware Used

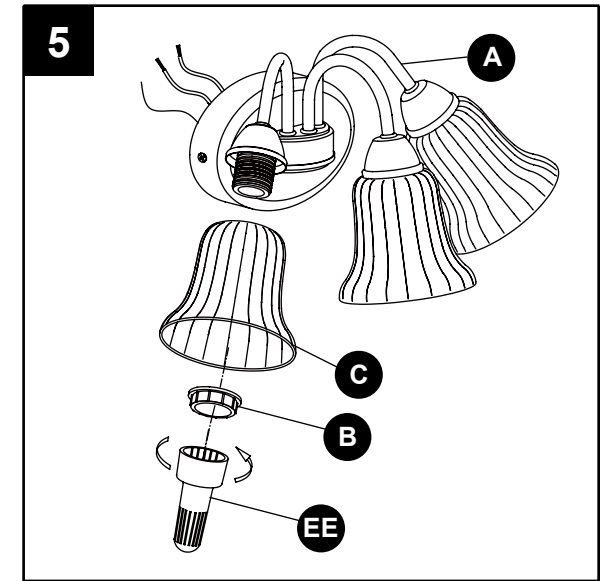
- | | | |
|-----------------|---|-----|
| AA Screw |  | x 2 |
|-----------------|---|-----|



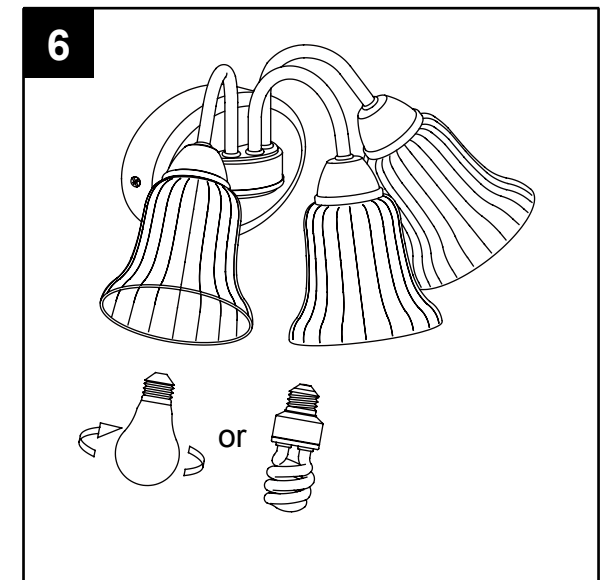
5. Remove socket rings (B) with tool (EE). Install glass shades (C) over sockets of fixture (A), then secure with socket rings (B) by using tool (EE).

Hardware Used

- | | | |
|----------------|--|-----|
| EE Tool |  | x 1 |
|----------------|--|-----|



6. Install 3 light bulbs (not included). Use 60-watt max. standard-base incandescent bulbs or 13-watt standard-base CFLs.



CARE AND MAINTENANCE

- Shut off main power supply before wiping product with damp cloth or window cleaner. Do not use abrasives.

TROUBLESHOOTING

PROBLEM	POSSIBLE CAUSE	CORRECTIVE ACTION
Bulb won't light.	<ol style="list-style-type: none"> 1. Bulb is burned out. 2. Power is off. 3. Faulty wire connection. 4. Faulty switch. 	<ol style="list-style-type: none"> 1. Replace light bulb. 2. Make sure power supply is on. 3. Check wiring. 4. Test or replace switch.
Fuse blows or circuit breaker trips when light is turned on.	Crossed wires or power wire is grounding out.	Check wire connections.

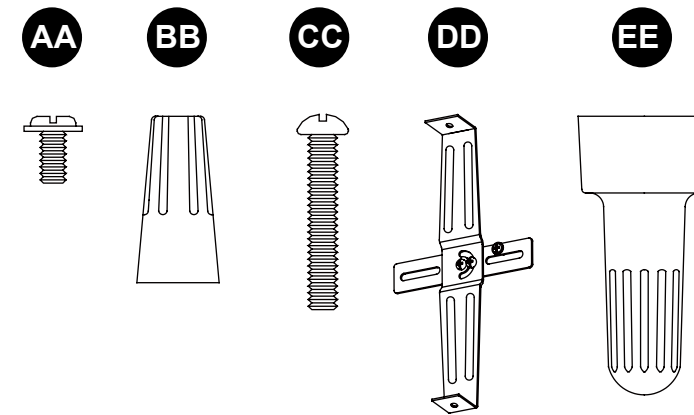
WARRANTY

The manufacturer warrants all of its lighting fixtures against defects in materials and workmanship for one (1) year from the date of purchase. If within this period the product is found to be defective in material or workmanship, the product must be returned, with a copy of the original sales receipt as proof of purchase in the original carton, to the place of purchase. The manufacturer will, at its option, repair, replace or refund the original purchase price to the consumer. This warranty does not cover fixtures becoming defective due to misuse, accidental damage, improper handling and/or installation and specifically excludes liability for direct, incidental or consequential damages. As some states do not allow exclusions or limitations on an implied warranty, the above exclusions and limitations may not apply to you. This warranty gives you specific legal rights, and you may have other rights that vary from state to state.

REPLACEMENT PARTS LIST

For replacement parts, call our customer service department at 1-800-643-0067, 8 a.m. - 6 p.m., EST, Monday - Thursday, 8 a.m. - 5 p.m., EST, Friday.

PART	DESCRIPTION	PART #
AA	Screw	109-040800
BB	Wire nut	375-022000
CC	Machine screw	109-042600
DD	Crossbar	152-180000
EE	Tool	407-051000



Printed in China

Portfolio® is a registered trademark of LF, LLC. All rights reserved.