



PROJECT SOURCE.

Project Source® is a registered trademark of LF, LLC. All rights reserved.

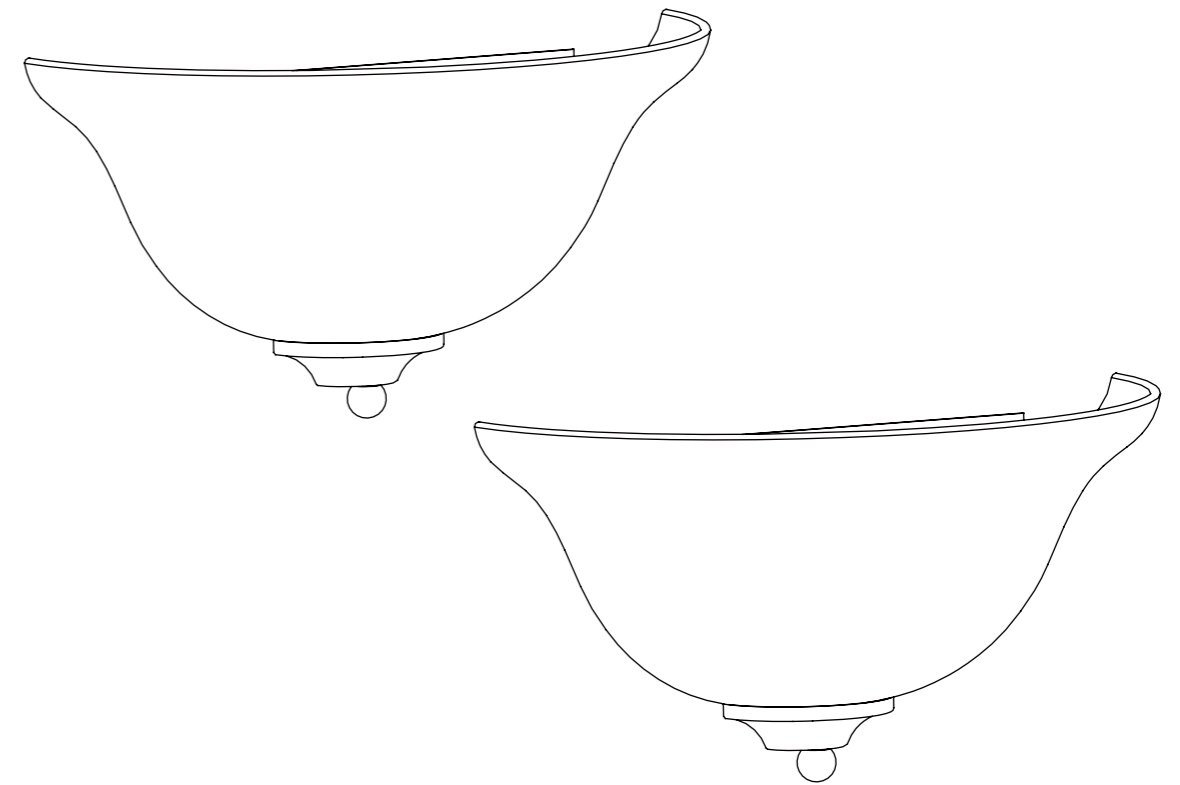
ITEM #0429481
0429482

WALL SCONCE

MODEL #FB13-010
FB13-010-2

Français p. 8

Español p. 15



ATTACH YOUR RECEIPT HERE

Serial Number _____ Purchase Date _____

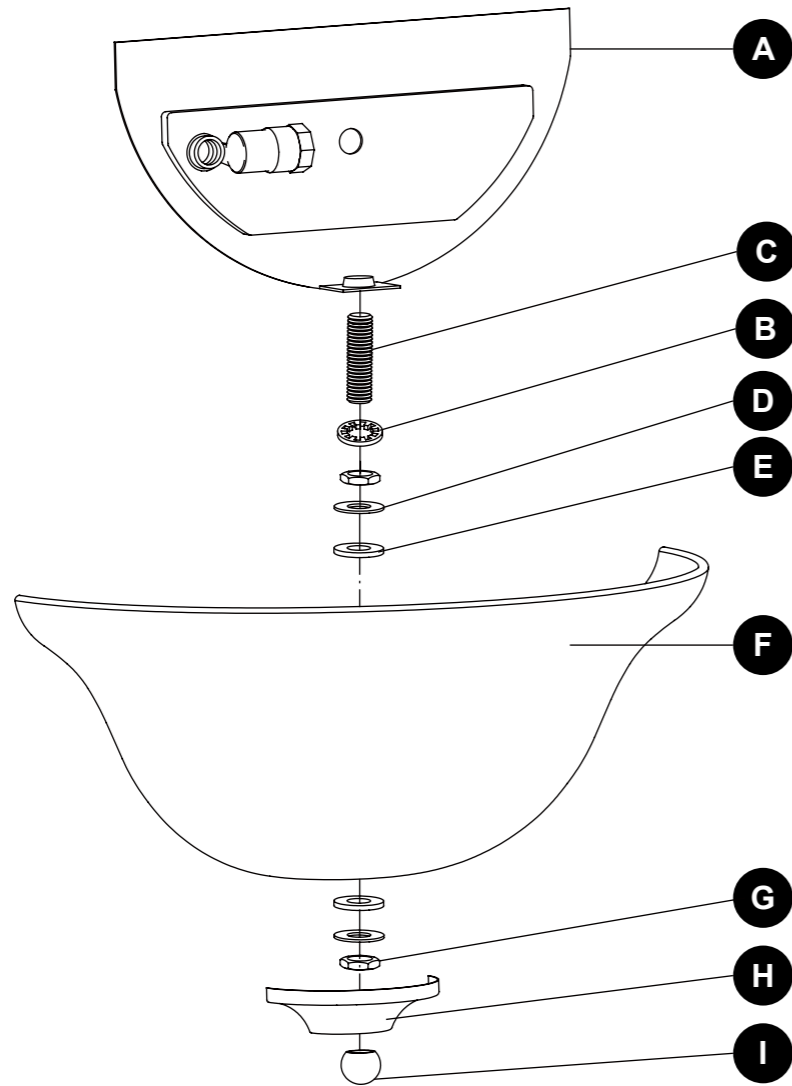


Intertek



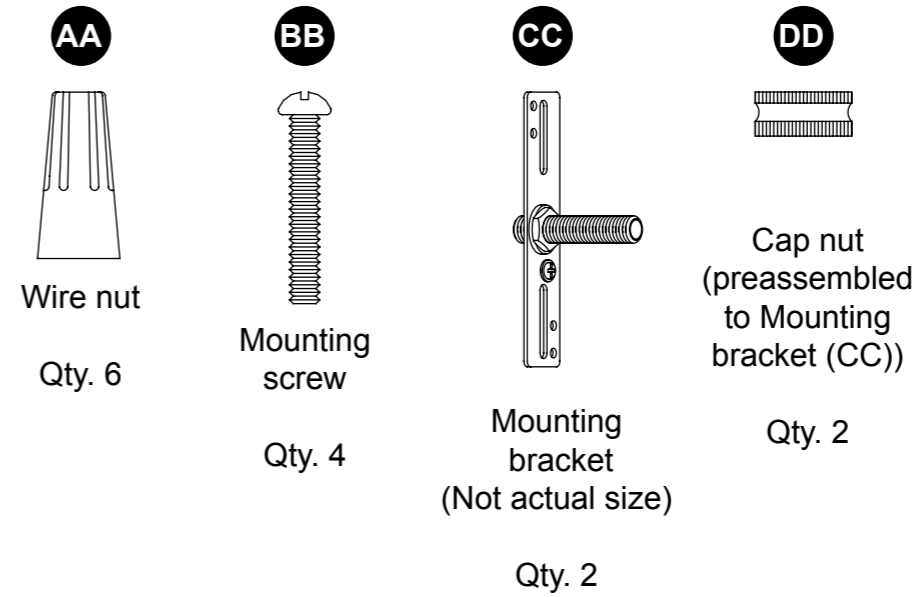
Questions, problems, missing parts? Before returning to your retailer, call our customer service department at 1-866-389-8827, 8 a.m. - 6 p.m., EST, Monday - Thursday, 8 a.m. - 5 p.m., EST, Friday.

PACKAGE CONTENTS



PART	DESCRIPTION	QUANTITY
A	Fixture	2
B	Washer (preassembled to Threaded nipple (C))	2
C	Threaded nipple	2
D	Gasket (preassembled to Threaded nipple (C))	4
E	Rubber ring (preassembled to Threaded nipple (C))	4
F	Glass shade	2
G	Nut (preassembled to Threaded nipple (C))	4
H	Cap (preassembled to Threaded nipple (C))	2
I	Knob (preassembled to Threaded nipple (C))	2

HARDWARE CONTENTS (shown actual size)



! SAFETY INFORMATION

Please read and understand this entire manual before attempting to assemble, operate or install the product.

! WARNING

- TURN OFF ELECTRICITY at main fuse box (or circuit breaker box) before beginning installation by removing fuse (or switching off circuit breaker).
- MINIMUM 90°C SUPPLY CONDUCTORS.

CAUTION

- CONSULT A QUALIFIED ELECTRICIAN TO ENSURE CORRECT BRANCH CIRCUIT CONDUCTOR.
- If in doubt about electrical installation, consult a licensed electrician.

PREPARATION

Before beginning assembly of product, make sure all parts are present. Compare parts with package contents list and hardware contents list. If any part is missing or damaged, do not attempt to assemble the product.

Estimated Assembly Time: 25 minutes


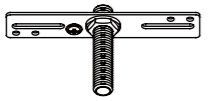
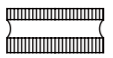
Tools Required for Assembly (not included): Flathead screwdriver, Phillips screwdriver, Pliers, Electrical tape, Wire cutters, Safety glasses.

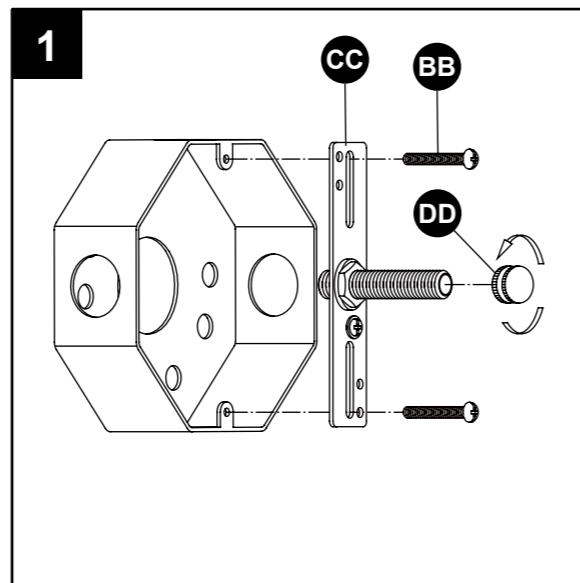
Helpful Tools (not included): Wire strippers.

ASSEMBLY INSTRUCTIONS

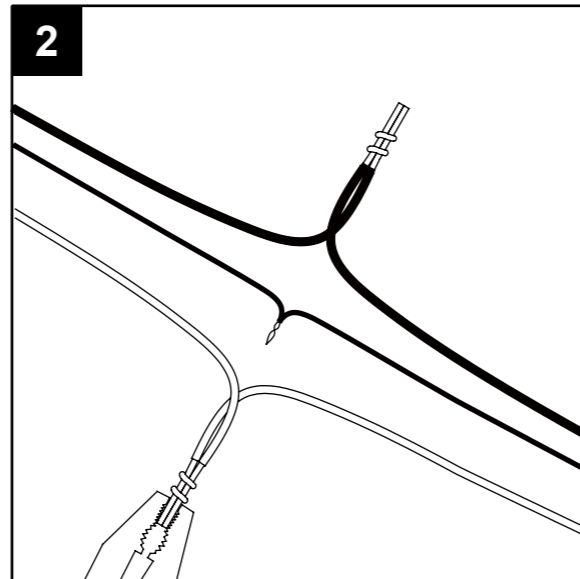
1. Remove cap nut (DD) from mounting bracket (CC). Attach mounting bracket (CC) to the outlet box (not included) with mounting screws (BB).

Hardware Used

- | | | |
|----------------------------|---|-----|
| BB Mounting screw |  | x 4 |
| CC Mounting bracket |  | x 2 |
| DD Cap nut |  | x 2 |



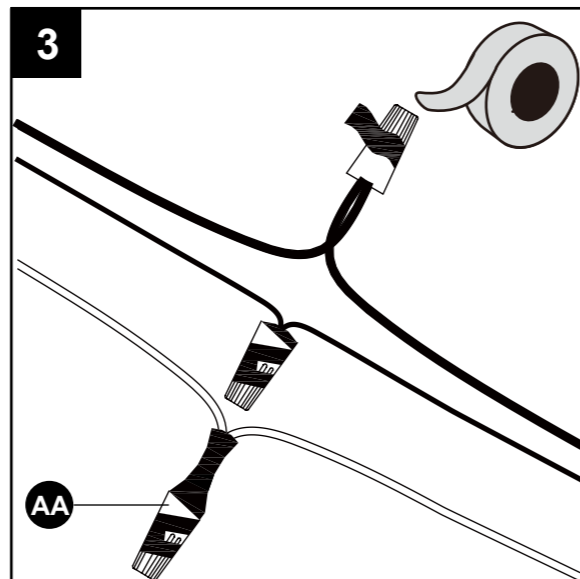
2. Strip 3/4 in. of insulation from wire ends. Twist stripped ends together with pliers (not included), black to black (power) and white to white (neutral). Attach copper wire to ground wire. **Helpful hint:** If necessary, attach copper ground wire to grounded outlet box.



3. Attach wire nuts (AA). Tape wire nuts (AA) and wires together.

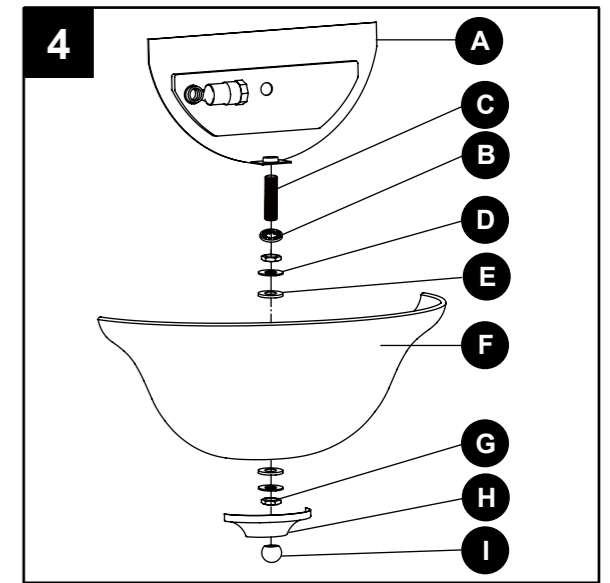
Hardware Used

- | | | |
|--------------------|---|-----|
| AA Wire nut |  | x 6 |
|--------------------|---|-----|



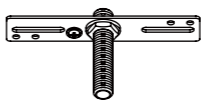

ASSEMBLY INSTRUCTIONS

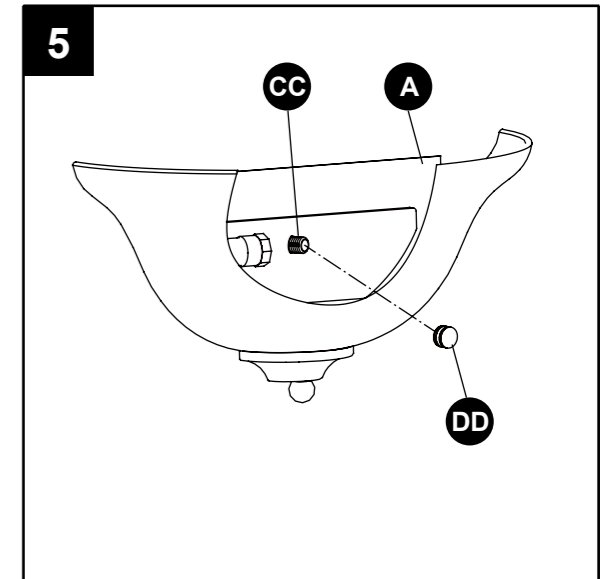
4. Remove knob (I), cap (H), nut (G), washer (B), gasket (D) and rubber ring (E) from the threaded nipple (C). Tighten the threaded nipple (C) into the fixture (A), then secure with washer (B) and nut (G). Place the gasket (D), rubber ring (E) and glass shade (F) onto the threaded nipple (C), then secure with nut (G). Place cap (H) onto the threaded nipple (C) and secure with knob (I).



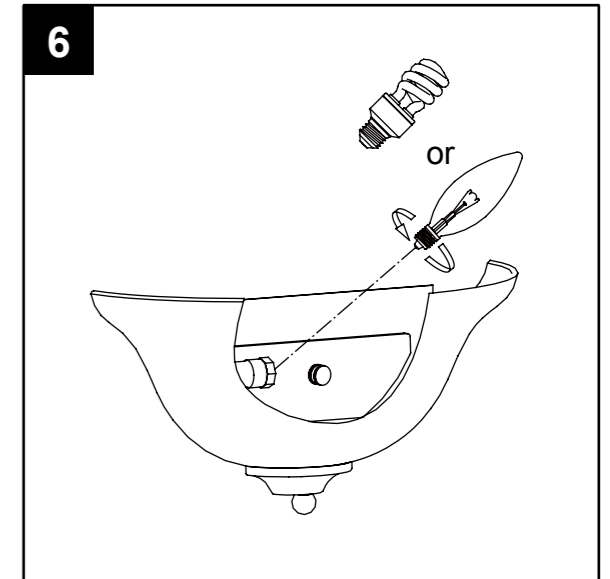
5. Place fixture (A) onto mounting bracket (CC), then secure with cap nut (DD).

Hardware Used

- | | | |
|----------------------------|---|-----|
| CC Mounting bracket |  | x 2 |
| DD Cap nut |  | x 2 |



6. Install light bulbs (not included). Use two 40-watt max. candelabra-base bulb or two 7-watt max. candelabra-base CFL bulb.



CARE AND MAINTENANCE

- Shut off main power supply before wiping product with damp cloth or window cleaner. Do not use abrasives.

TROUBLESHOOTING

PROBLEM	POSSIBLE CAUSE	CORRECTIVE ACTION
Bulb won't light.	<ol style="list-style-type: none"> 1. Bulb is burned out. 2. Power is off. 3. Faulty wire connection. 4. Faulty switch. 	<ol style="list-style-type: none"> 1. Replace light bulb. 2. Make sure power supply is on. 3. Check wiring. 4. Test or replace switch.
Fuse blows or circuit breaker trips when light is turned on.	Crossed wires or power wire is grounding out.	Check wire connections.

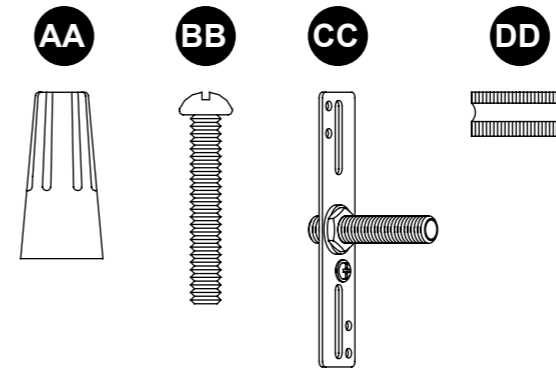
WARRANTY

The manufacturer warrants all of its lighting fixtures against defects in materials and workmanship for one (1) year from the date of purchase. If within this period the product is found to be defective in material or workmanship, the product must be returned, with a copy of the original sales receipt as proof of purchase in the original carton, to the place of purchase. The manufacturer will, at its option, repair, replace or refund the original purchase price to the consumer. This warranty does not cover fixtures becoming defective due to misuse, accidental damage, improper handling and/or installation and specifically excludes liability for direct, incidental or consequential damages. As some states do not allow exclusions or limitations on an implied warranty, the above exclusions and limitations may not apply to you. This warranty gives you specific legal rights, and you may have other rights that vary from state to state.

REPLACEMENT PARTS LIST

For replacement parts, call our customer service department at 1-866-389-8827, 8 a.m. - 6 p.m., EST, Monday - Thursday, 8 a.m. - 5 p.m., EST, Friday.

PART	DESCRIPTION	PART #
AA	Wire nut	375-022000
BB	Mounting screw	109-042600
CC	Mounting bracket	139-103009
DD	Cap nut	110-130600



Printed in China

Project Source® is a registered trademark of LF, LLC. All rights reserved.