



Portfolio® is a registered trademark of LF, LLC. All rights reserved.

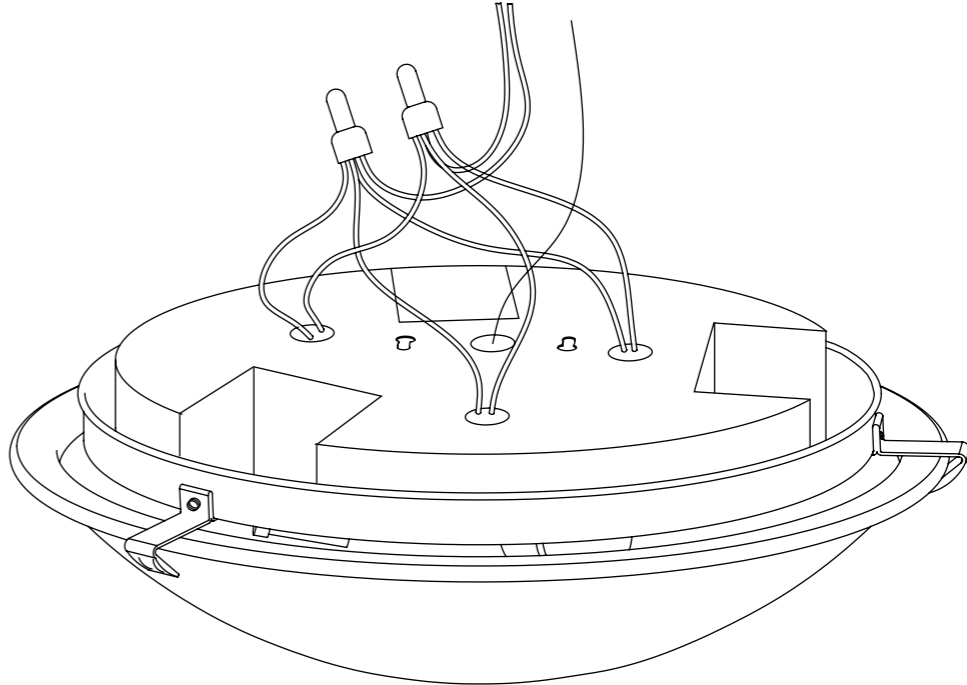
ITEM #0589518

# FLUSHMOUNT CEILING FIXTURE

MODEL #FJ13-131

Français p. 8

Español p. 15



**ATTACH YOUR RECEIPT HERE**

Serial Number \_\_\_\_\_ Purchase Date \_\_\_\_\_



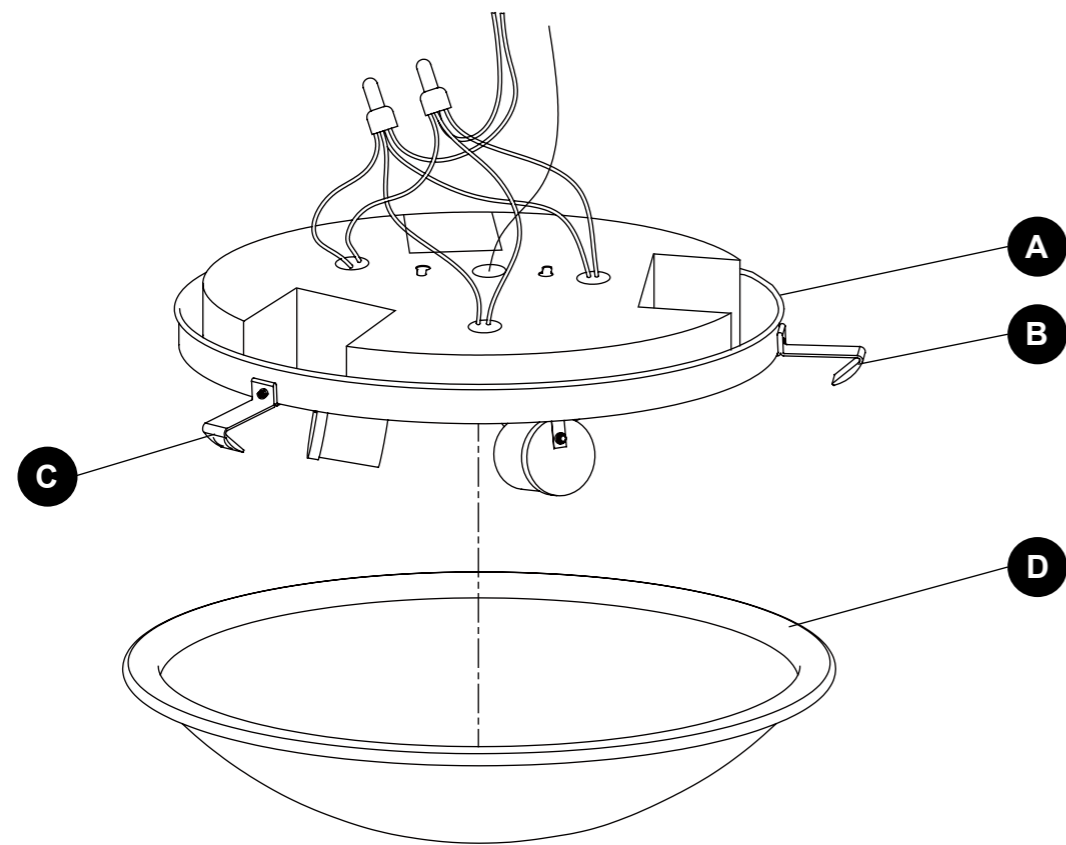
**Intertek**



**Questions, problems, missing parts?** Before returning to your retailer, call our customer service department at 1-800-643-0067, 8 a.m. - 6 p.m., EST, Monday -Thursday, 8 a.m. - 5 p.m., EST Friday.

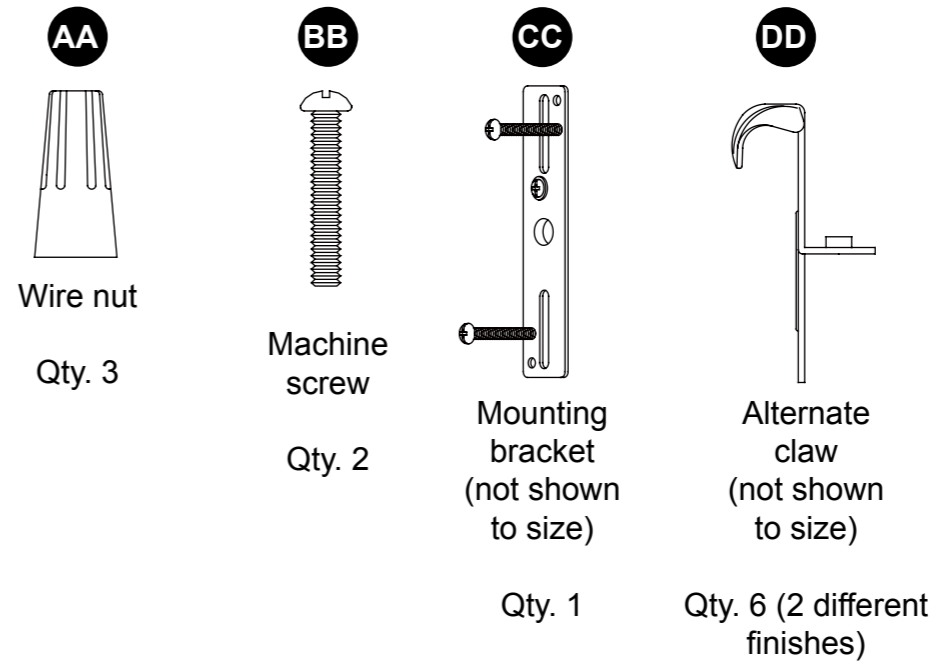


## PACKAGE CONTENTS



PART	DESCRIPTION	QUANTITY
A	Fixture	1
B	Spring claw (preassembled to Fixture (A))	1
C	Fixed claw (preassembled to Fixture (A))	2
D	Glass shade	1

## HARDWARE CONTENTS (shown actual size)



### ! SAFETY INFORMATION

Please read and understand this entire manual before attempting to assemble, operate or install the product.

### ! WARNING

- TURN OFF ELECTRICITY at main fuse box (or circuit breaker box) before beginning installation by removing fuse (or switching off circuit breaker).
- MINIMUM 90°C SUPPLY CONDUCTORS.

### CAUTION

- CONSULT A QUALIFIED ELECTRICIAN TO ENSURE CORRECT BRANCH CIRCUIT CONDUCTOR.
- If in doubt about electrical installation, consult a licensed electrician.

### PREPARATION

Before beginning assembly of product, make sure all parts are present. Compare parts with package contents list and hardware contents list. If any part is missing or damaged, do not attempt to assemble the product.

### Estimated Assembly Time: 25 minutes



Tools Required for Assembly (not included): Flathead screwdriver, Phillips screwdriver, Pliers, Electrical tape, Wire cutters, Safety glasses.

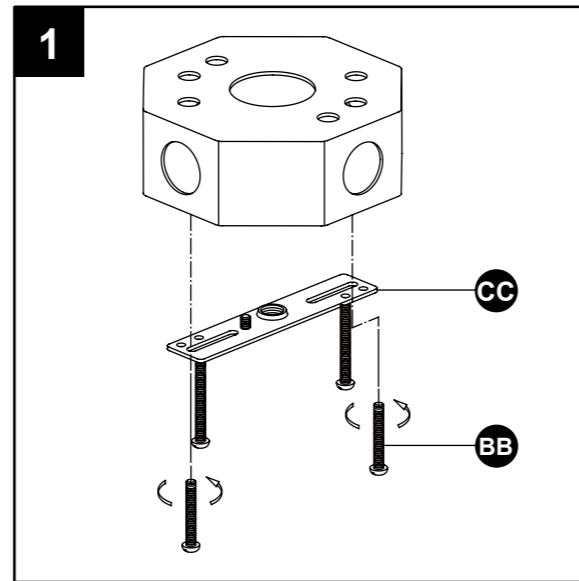
Helpful Tools (not included): Wire strippers, Step ladder.

## ASSEMBLY INSTRUCTIONS

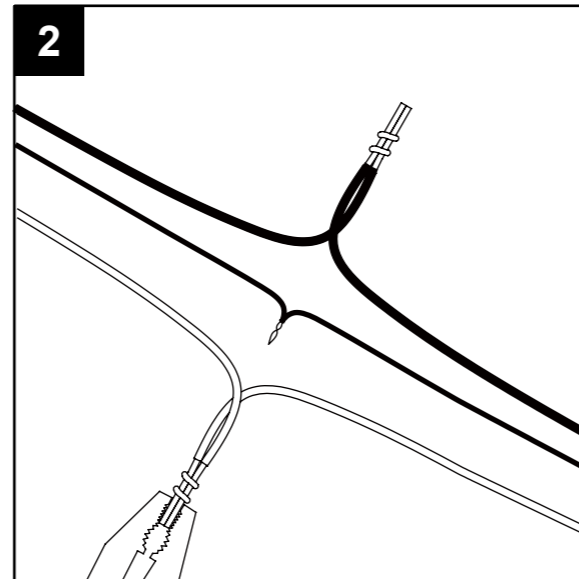
1. Fasten mounting bracket (CC) onto the ceiling outlet box (not included) using machine screws (BB).  
**Note:** The mounting screws preassembled to mounting bracket (CC) should protrude outward.

### Hardware Used

- BB** Machine screw  x 2
- CC** Mounting bracket  x 1



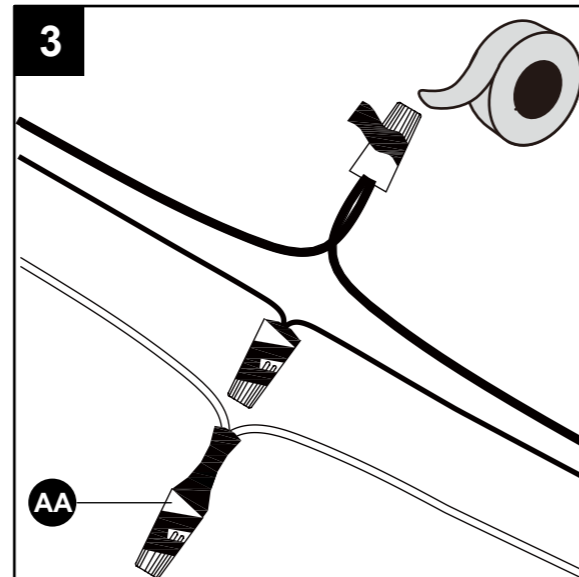
2. Strip 3/4 in. of insulation from wire ends. Twist stripped ends together with pliers (not included), black to black (power) and white to white (neutral). Attach copper wire to ground wire. **Helpful hint:** If necessary, attach copper ground wire to grounded outlet box.



3. Attach wire nuts (AA). Tape wire nuts (AA) and wires together with electrical tape (not included).

### Hardware Used


- AA** Wire nut  x 3

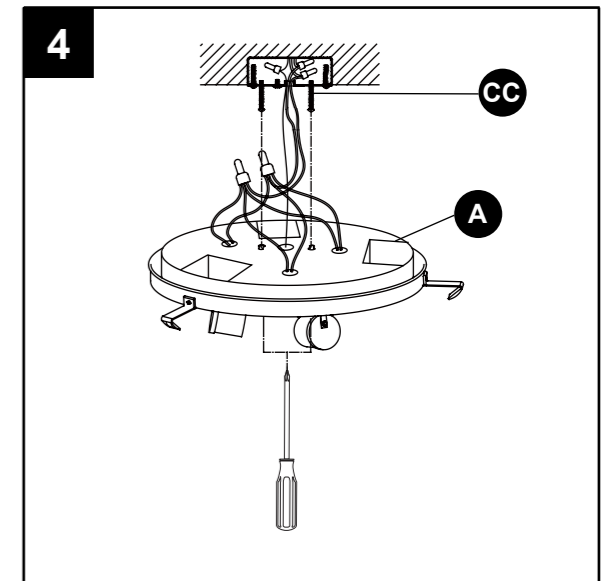


## ASSEMBLY INSTRUCTIONS

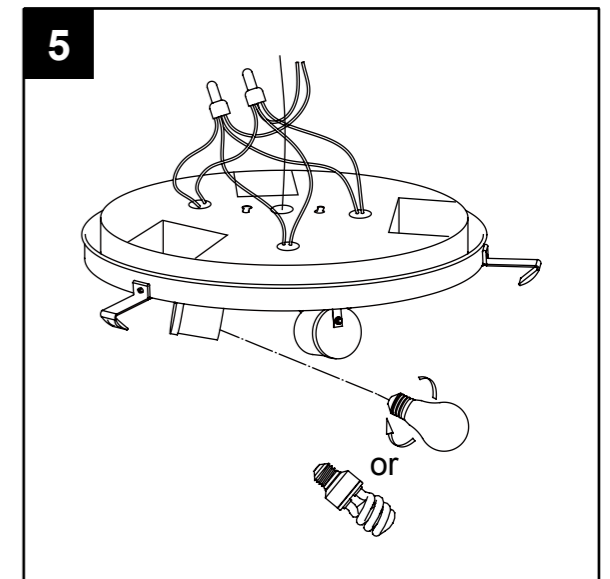
4. Place the fixture (A) over the outlet box. Allow heads of mounting bracket (CC) to come out through the large ends of the keyholes on fixture (A). Twist fixture (A) until heads of preassembled mounting screws slide into narrow ends of keyholes. Tighten mounting screws to secure fixture (A).

### Hardware Used

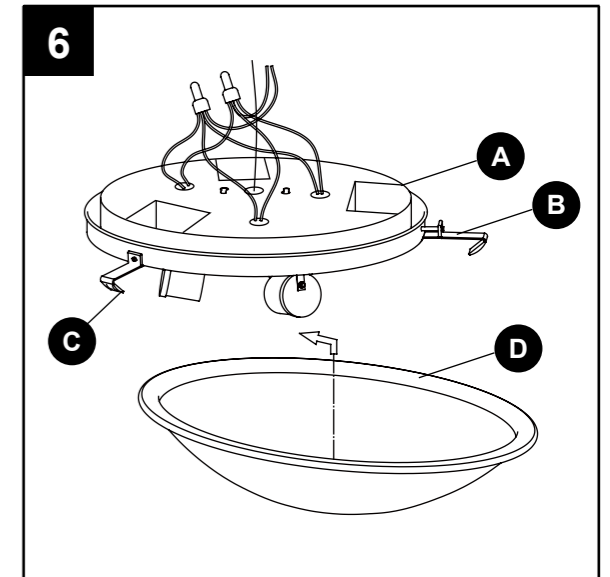
- CC** Mounting bracket  x 1



5. Install light bulbs (not included). Use three 60-watt max. standard-base incandescent bulbs or three 13-watt standard-base CFLs.

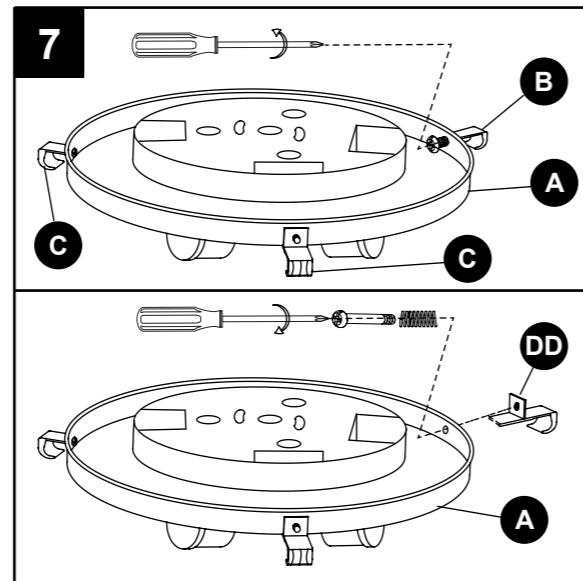


6. Pull the spring claw (B) and attach the glass shade (D) on the fixture (A), then release the spring claw (B) to its initial position until the glass shade (D) is secured between it and the fixed claws (C).



## ASSEMBLY INSTRUCTIONS

7. If one set of the alternate claws (DD) fits better with your decor, simply switch the preassembled spring claw (B) and fixed claws (C) on fixture (A) with the chosen set using a Phillips screwdriver (not included).



### Hardware Used



## CARE AND MAINTENANCE

- Shut off main power supply before wiping product with damp cloth or window cleaner. Do not use abrasives.

## TROUBLESHOOTING

PROBLEM	POSSIBLE CAUSE	CORRECTIVE ACTION
Bulb won't light.	<ol style="list-style-type: none"> <li>1. Bulb is burned out.</li> <li>2. Power is off.</li> <li>3. Faulty wire connection.</li> <li>4. Faulty switch.</li> </ol>	<ol style="list-style-type: none"> <li>1. Replace light bulb.</li> <li>2. Make sure power supply is on.</li> <li>3. Check wiring.</li> <li>4. Test or replace switch.</li> </ol>
Fuse blows or circuit breaker trips when light is turned on.	Crossed wires or power wire is grounding out.	Check wire connections.

## WARRANTY

The manufacturer warrants all of its lighting fixtures against defects in materials and workmanship for one (1) year from the date of purchase. If within this period the product is found to be defective in material or workmanship, the product must be returned, with a copy of the original sales receipt as proof of purchase in the original carton, to the place of purchase. The manufacturer will, at its option, repair, replace or refund the original purchase price to the consumer. This warranty does not cover fixtures becoming defective due to misuse, accidental damage, improper handling and/or installation and specifically excludes liability for direct, incidental or consequential damages. As some states do not allow exclusions or limitations on an implied warranty, the above exclusions and limitations may not apply to you. This warranty gives you specific legal rights, and you may have other rights that vary from state to state.

### REPLACEMENT PARTS LIST

For replacement parts, call our customer service department at 1-800-643-0067, 8 a.m. - 6 p.m., EST, Monday - Thursday, 8 a.m. - 5 p.m., EST, Friday.

PART	DESCRIPTION	PART #
AA	Wire nut	375-022000
BB	Machine screw	109-042600
CC	Mounting bracket	139-103000

