



PROJECT SOURCE.

Project Source® is a registered trademark of LF, LLC. All rights reserved.

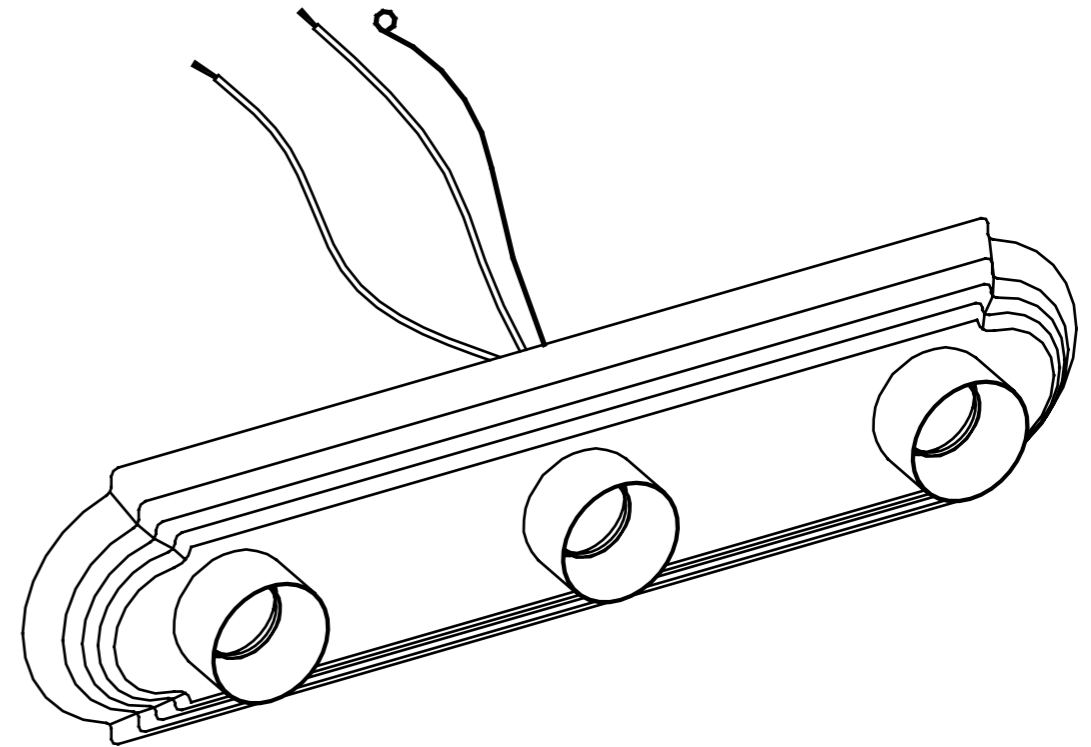
ITEM #0606190

3-LIGHT VANITY BAR

MODEL #FV14-026

Français p. 8

Español p. 15



ATTACH YOUR RECEIPT HERE

Serial Number _____ Purchase Date _____

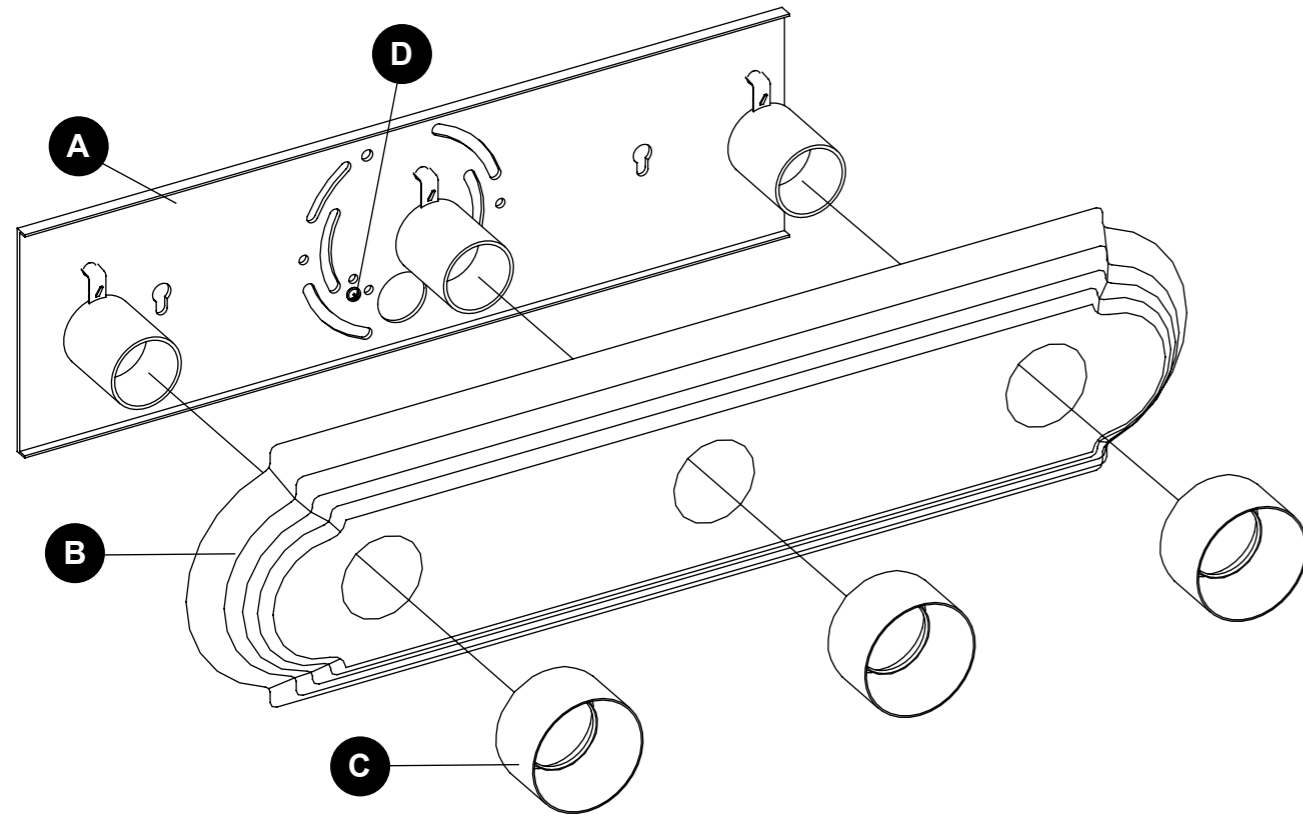


Intertek



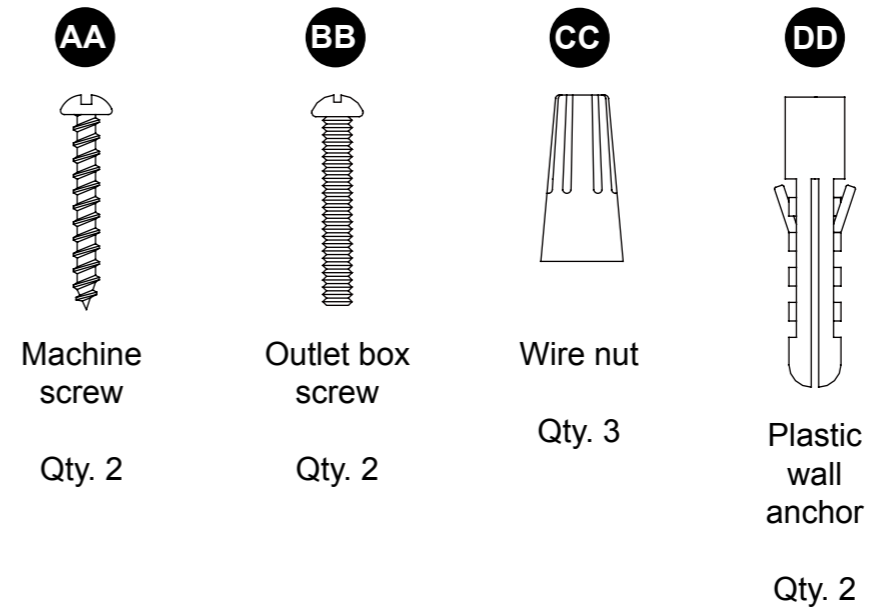
Questions, problems, missing parts? Before returning to your retailer, call our customer service department at 1-866-389-8827, 8 a.m. - 6 p.m., EST, Monday - Thursday, 8 a.m. - 5 p.m., EST, Friday.

PACKAGE CONTENTS



PART	DESCRIPTION	QUANTITY
A	Mounting bracket (preassembled to Front plate (B))	1
B	Front plate	1
C	Socket cover (preassembled to Front plate (B))	3
D	Green screw (preassembled to Mounting bracket (A))	1

HARDWARE CONTENTS (shown actual size)



SAFETY INFORMATION

Please read and understand this entire manual before attempting to assemble, operate or install the product.

WARNING

- TURN OFF ELECTRICITY at main fuse box (or circuit breaker box) before beginning installation by removing fuse (or switching off circuit breaker).

CAUTION

- CONSULT A QUALIFIED ELECTRICIAN TO ENSURE CORRECT BRANCH CIRCUIT CONDUCTOR.
- If in doubt about electrical installation, consult a licensed electrician.

PREPARATION

Before beginning assembly of product, make sure all parts are present. Compare parts with package contents list and hardware contents list. If any part is missing or damaged, do not attempt to assemble the product.

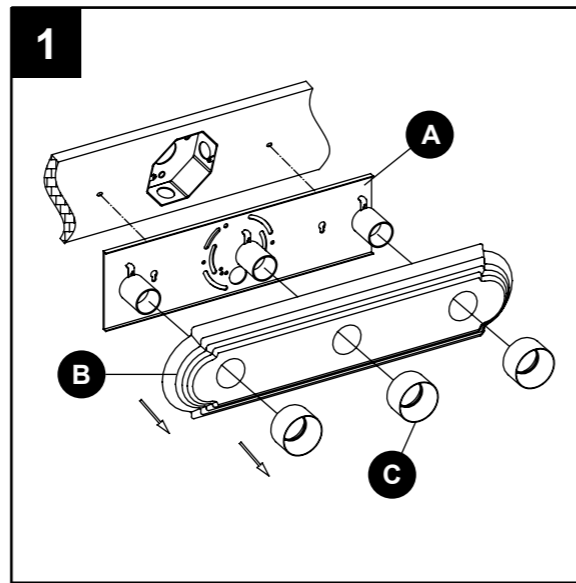
Estimated Assembly Time: 25 minutes

Tools Required for Assembly (not included): Flathead screwdriver, Phillips screwdriver, Pliers, Electrical tape, Wire cutters, Safety glasses.

Helpful Tools (not included): Wire strippers.

ASSEMBLY INSTRUCTIONS

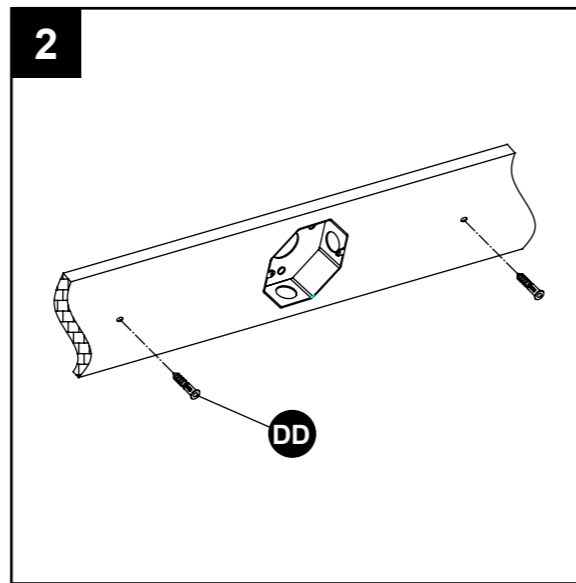
1. Remove the socket covers (C) from the sockets on mounting bracket (A). Then separate the mounting bracket (A) from the front plate (B). The mounting bracket (A) is supplied with keyhole slots for additional attachment to the mounting face. Hold the mounting bracket (A) against the wall with the outlet box (not included) and mark the position of the keyhole slots on the mounting surface; make sure the fixture will be level and mounted to a secure surface.



2. Using a 5/16 in. drill bit (not included), drill the holes at the marks on the mounting surface, then insert the plastic wall anchors (DD) into the holes.

Hardware Used

DD Plastic wall anchor x 2

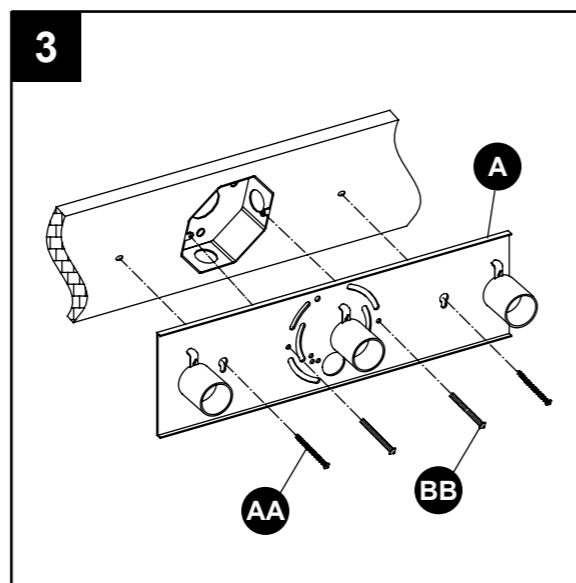


3. Attach the mounting bracket (A) to the outlet box using the two outlet box screws (BB). Attach the mounting bracket (A) to the mounting surface using machine screws (AA). Note: Make sure the narrow ends of the keyhole slots face up.

Hardware Used

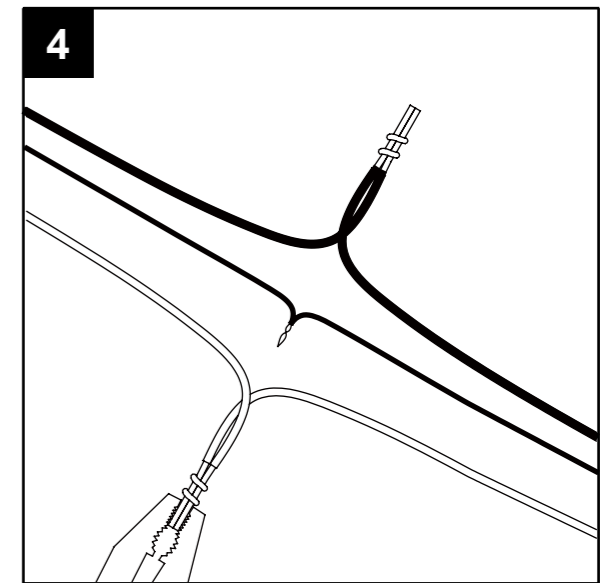
AA Machine screw x 2

BB Outlet box screw x 2



ASSEMBLY INSTRUCTIONS

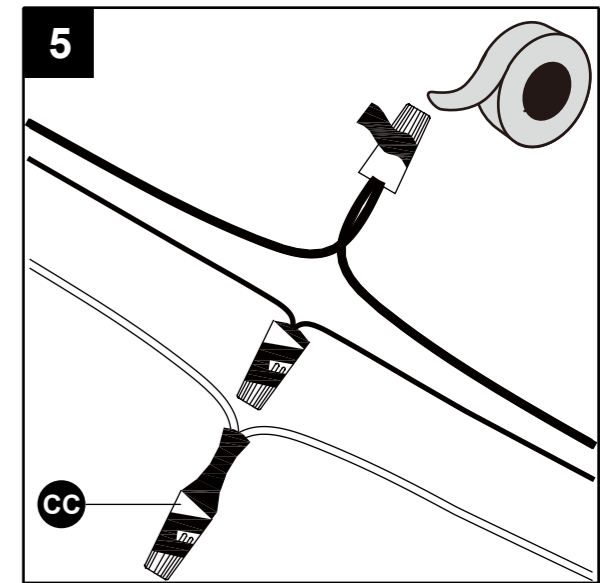
4. Strip 3/4 in. of insulation from wire ends. Twist stripped ends together with pliers (not included), black to black (power) and white to white (neutral). Attach copper wire to ground wire. **Helpful hint:** If necessary, attach copper ground wire to grounded outlet box.



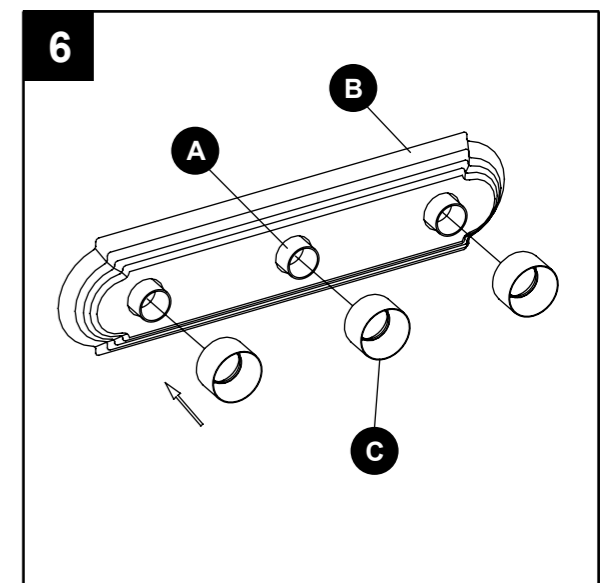
5. Attach wire nuts (CC). Tape wire nuts (CC) and wires together.

Hardware Used

CC Wire nut x 3

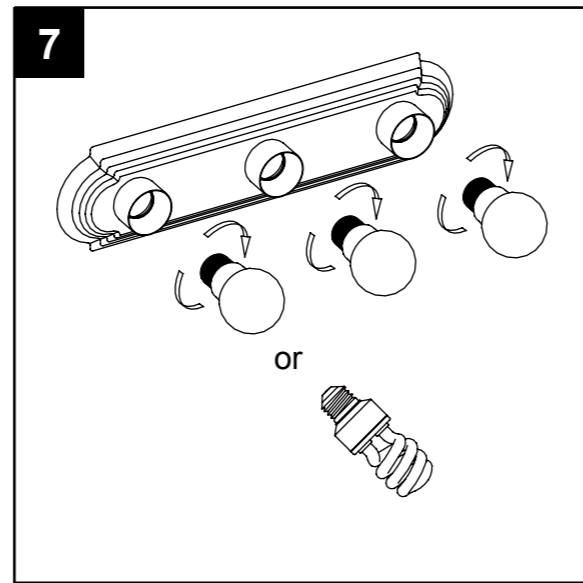


6. Attach front plate (B) to mounting plate (A) by aligning holes on front plate (B) with sockets on mounting plate (A). Push socket covers (C) onto sockets.



ASSEMBLY INSTRUCTIONS

7. Install light bulbs (not included). Use three 60-watt max. standard-base bulbs or three 13-watt standard-base CFL bulbs.



CARE AND MAINTENANCE

- Shut off main power supply before wiping product with damp cloth or window cleaner. Do not use abrasives.

TROUBLESHOOTING

PROBLEM	POSSIBLE CAUSE	CORRECTIVE ACTION
Bulb won't light.	<ol style="list-style-type: none"> 1. Bulb is burned out. 2. Power is off. 3. Faulty wire connection. 4. Faulty switch. 	<ol style="list-style-type: none"> 1. Replace light bulb. 2. Make sure power supply is on. 3. Check wiring. 4. Test or replace switch.
Fuse blows or circuit breaker trips when light is turned on.	Crossed wires or power wire is grounding out.	Check wire connections.

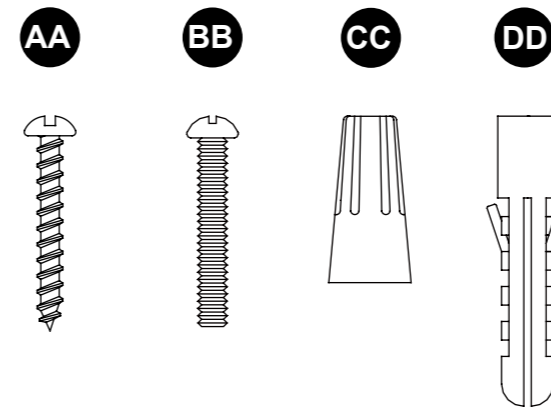
WARRANTY

The manufacturer warrants all of its lighting fixtures against defects in materials and workmanship for one (1) year from the date of purchase. If within this period the product is found to be defective in material or workmanship, the product must be returned, with a copy of the original sales receipt as proof of purchase in the original carton, to the place of purchase. The manufacturer will, at its option, repair, replace or refund the original purchase price to the consumer. This warranty does not cover fixtures becoming defective due to misuse, accidental damage, improper handling and/or installation and specifically excludes liability for direct, incidental or consequential damages. As some states do not allow exclusions or limitations on an implied warranty, the above exclusions and limitations may not apply to you. This warranty gives you specific legal rights, and you may have other rights that vary from state to state.

REPLACEMENT PARTS LIST

For replacement parts, call our customer service department at 1-866-389-8827, 8 a.m. - 6 p.m., EST, Monday - Thursday, 8 a.m. - 5 p.m., EST, Friday.

PART	DESCRIPTION	PART #
AA	Machine screw	109-352600
BB	Outlet box screw	109-042600
CC	Wire nut	375-022000
DD	Plastic wall anchor	407-039000



Printed in China

Project Source® is a registered trademark of LF, LLC. All rights reserved.