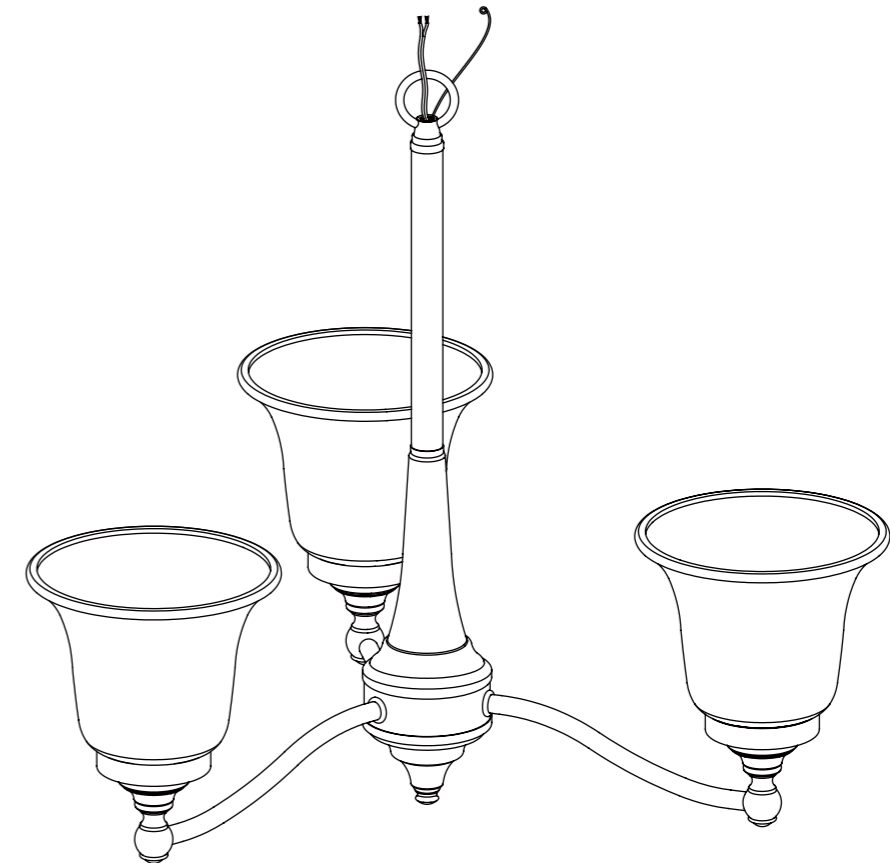


**3-LIGHT CHANDELIER**

MODEL #FD15-094  
FD15-094-1

Français p. 9

Español p. 18



**ATTACH YOUR RECEIPT HERE**

Serial Number \_\_\_\_\_ Purchase Date \_\_\_\_\_

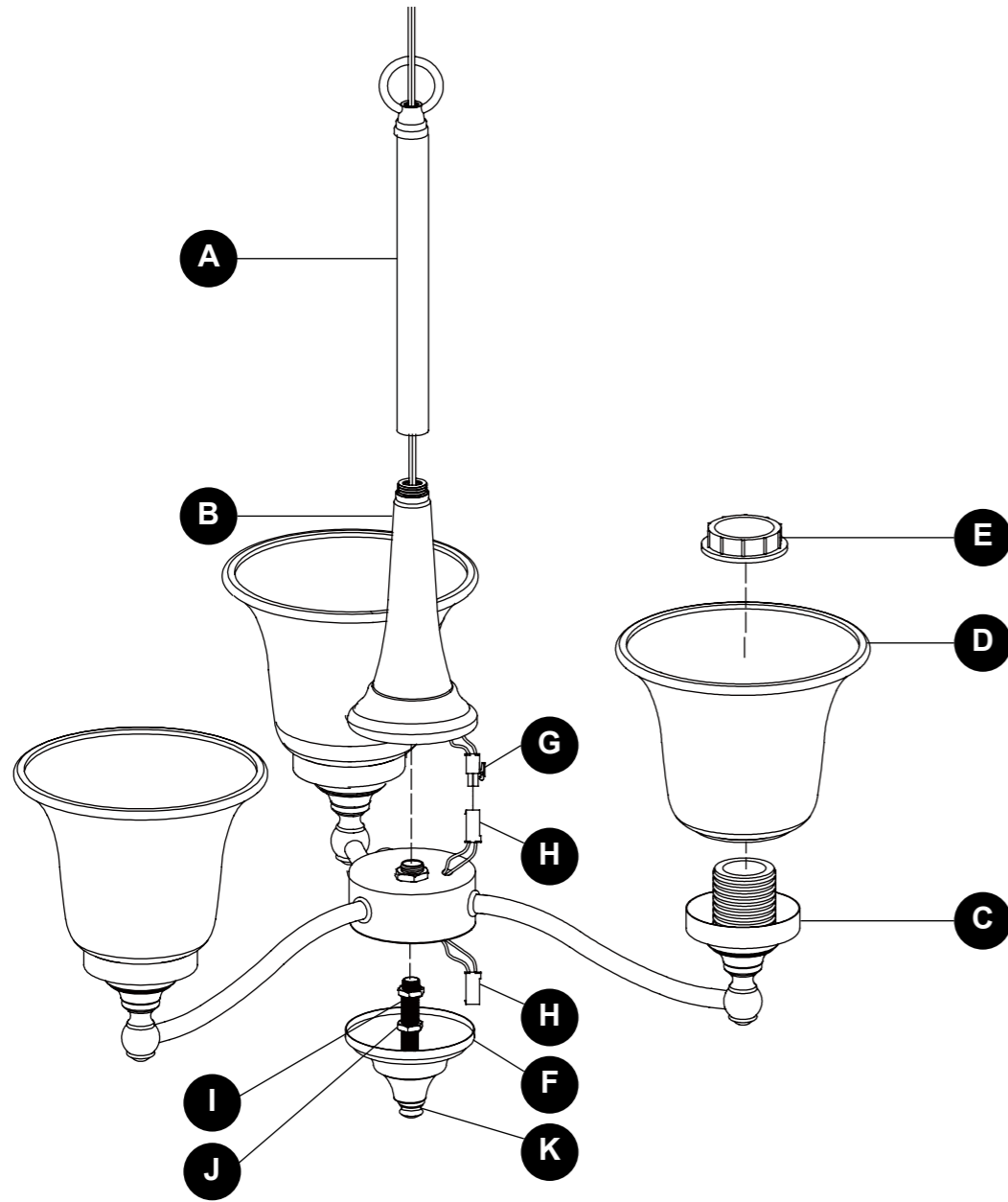


**Intertek**



**Questions, problems, missing parts?** Before returning to your retailer, call our customer service department at 1-800-643-0067, 8 a.m. - 6 p.m., EST, Monday - Thursday, 8 a.m. - 5 p.m., EST, Friday.

**PACKAGE CONTENTS**



PART	DESCRIPTION	QUANTITY
A	Pole	1
B	Decoration	1
C	Fixture	1
D	Shade	3
E	Check Ring (preassembled to Fixture (C))	3
F	Cover (preassembled to Threaded Nipple (I))	1
G	Plug (preassembled to Decoration (B))	1
H	Slot (preassembled to Fixture (C))	2
I	Threaded Nipple	1
J	Hex Nut (preassembled to Threaded Nipple (I))	1
K	Knob (preassembled to Threaded Nipple (I))	1

**HARDWARE CONTENTS (shown actual size)**

<b>AA</b>	<b>BB</b>	<b>CC</b>	<b>DD</b>	<b>EE</b>	<b>FF</b>	<b>GG</b>
Wire Nut	Mounting Screw	Crossbar (not shown to size)	Screw Collar Loop (preassembled to Crossbar (CC)) (not shown to size)	Ring (preassembled to Crossbar (CC))	Chain (preassembled to Crossbar (CC)) (not shown to size)	Canopy (not shown to size)
Qty. 3	Qty. 2	Qty. 1	Qty. 1	Qty. 1	Qty. 1	Qty. 1

**! SAFETY INFORMATION**

Please read and understand this entire manual before attempting to assemble, operate or install the product.

**! WARNING**

- TURN OFF ELECTRICITY at main fuse box (or circuit breaker box) before beginning installation by removing fuse (or switching off circuit breaker).

**CAUTION**

- CONSULT A QUALIFIED ELECTRICIAN TO ENSURE CORRECT BRANCH CIRCUIT CONDUCTOR.
- If in doubt about electrical installation, consult a licensed electrician.

**PREPARATION**

Before beginning assembly of product, make sure all parts are present. Compare parts with package contents list and hardware contents list. If any part is missing or damaged, do not attempt to assemble the product.

**Estimated Assembly Time: 25 minutes**


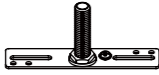
Tools Required for Assembly (not included): Flathead screwdriver, Phillips screwdriver, Pliers, Electrical tape, Wire cutters, Safety glasses.

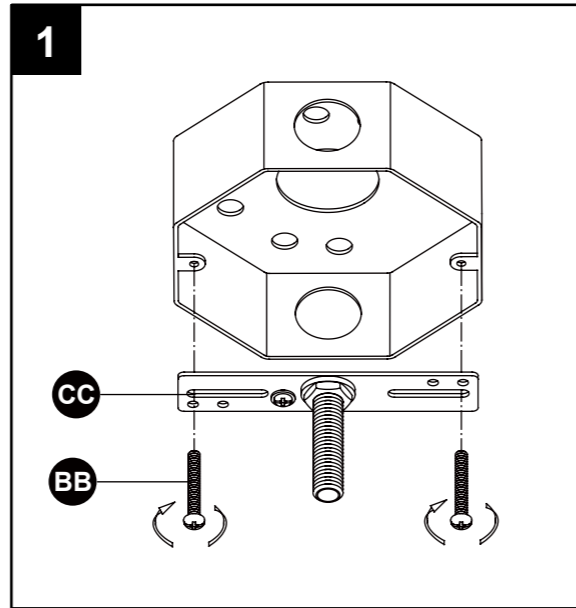
Helpful Tools (not included): Wire strippers, Step ladder.

## ASSEMBLY INSTRUCTIONS

1. Remove chain (FF), ring (EE) and screw collar loop (DD) from preassembled threaded nipple on crossbar (CC). Then, attach crossbar (CC) to outlet box (not included) using mounting screws (BB).  
**Note:** The threaded nipple should protrude outward.

### Hardware Used






<b>BB</b> Mounting Screw		x 2
<b>CC</b> Crossbar		x 1

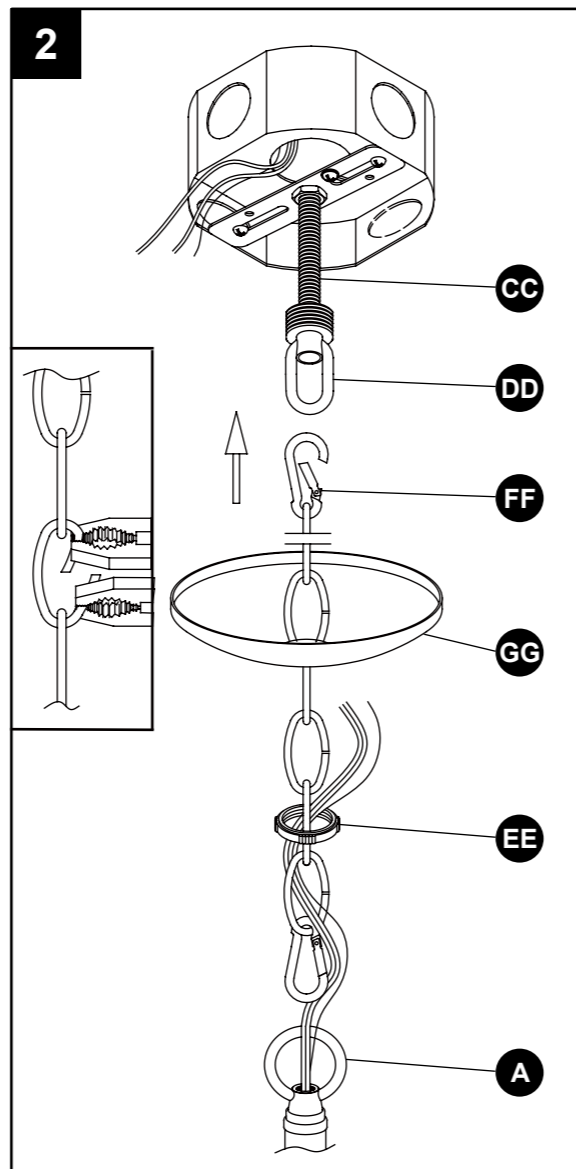


2. Attach screw collar loop (DD) to the threaded nipple of crossbar (CC). Choose the desired length of chain (FF), using a soft cloth and pliers (none included) to avoid damaging the finish of chain (FF) if any links are being removed.  
**Note:** The top and bottom section of chain (FF) are required.

Open the top section of the chain (FF) and attach it to the screw collar loop (DD). Pass the chain (FF) through canopy (GG) and ring (EE). Then weave the fixture wire and the fixture ground wire from fixture (C) through the chain (FF), ring (EE), canopy (GG), screw collar loop (DD) and the threaded nipple on crossbar (CC).

### Hardware Used

<b>CC</b> Crossbar		x 1
<b>DD</b> Screw Collar Loop		x 1
<b>EE</b> Ring		x 1
<b>FF</b> Chain		x 1
<b>GG</b> Canopy		x 1



## ASSEMBLY INSTRUCTIONS

3. Pull out the supply wires and supply ground wire from the outlet box. Strip 3/4 in. of insulation from wire ends.

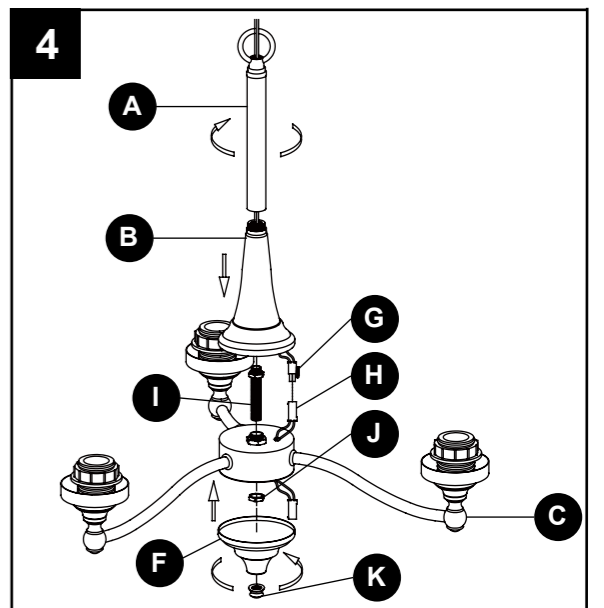
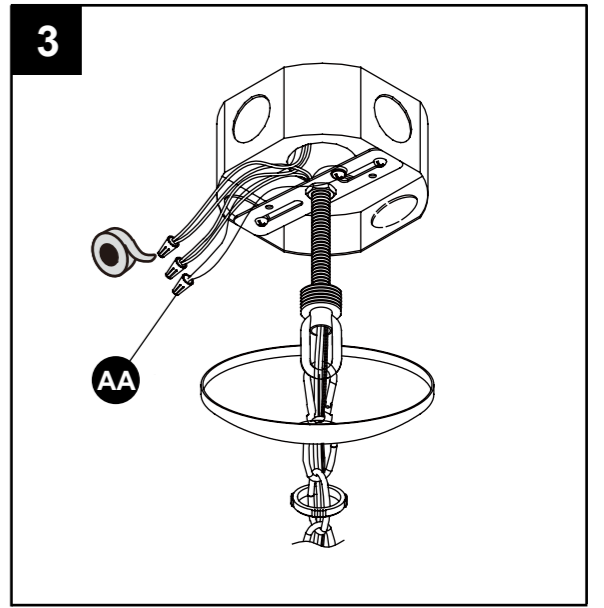
Make wire connections:

- Connect the smooth wire (marked) from fixture to the black supply wire with a wire nut (AA).
- Connect the ridged wire (unmarked) from fixture to the white supply wire with a wire nut (AA).
- Attach the fixture ground wire to the crossbar (CC) with the preassembled green ground screw. Then connect it to the supply ground wire with a wire nut (AA). Tape wire nuts (AA) and wires together with electrical tape (not included) and carefully tuck wires back into the outlet box.

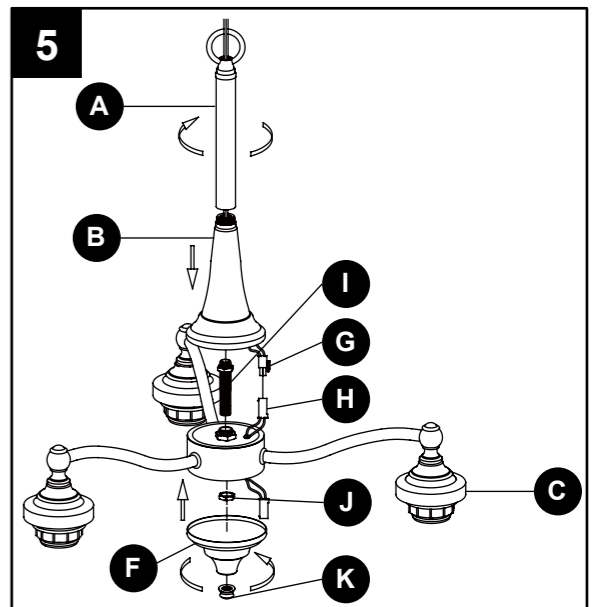
### Hardware Used

<b>AA</b> Wire nut		x 3
--------------------	---	-----

4. Screw the pole (A) onto decoration (B) and set aside. Disassemble knob (K), cover (F) and hex nut (J) from the threaded nipple (I), then screw the threaded nipple into decoration (B).



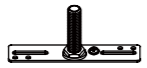
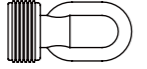
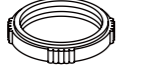
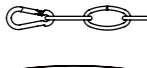

5. Choose desired installation method, with all of the sockets of fixture (C) facing either upward or downward. Insert plug (G) from decoration (B) into slot (H) of fixture (C), then secure fixture (C) onto the threaded nipple (I) using the hex nut (J), cover (F) and knob (K).



## ASSEMBLY INSTRUCTIONS

6. Tighten ring (EE) onto screw collar loop (DD) to secure canopy (GG) over crossbar (CC). Open the bottom section of the chain (FF) and attach it to the flying ring preassembled on pole (A).

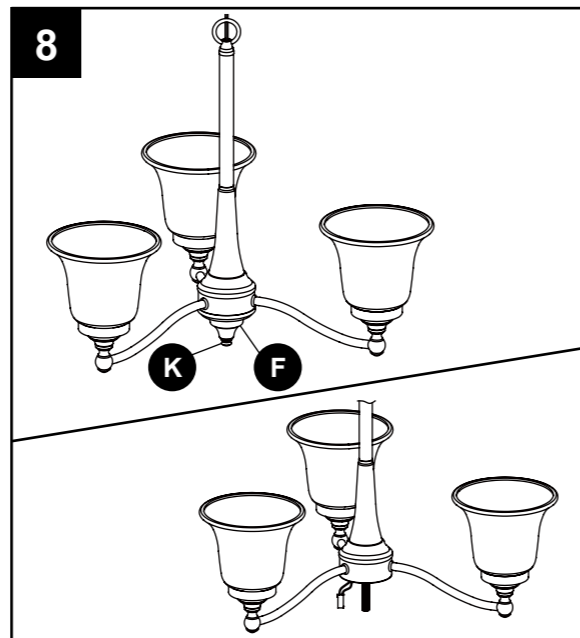
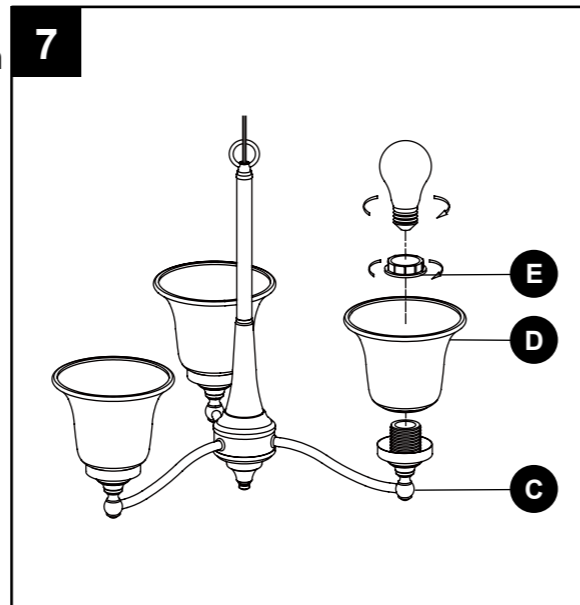
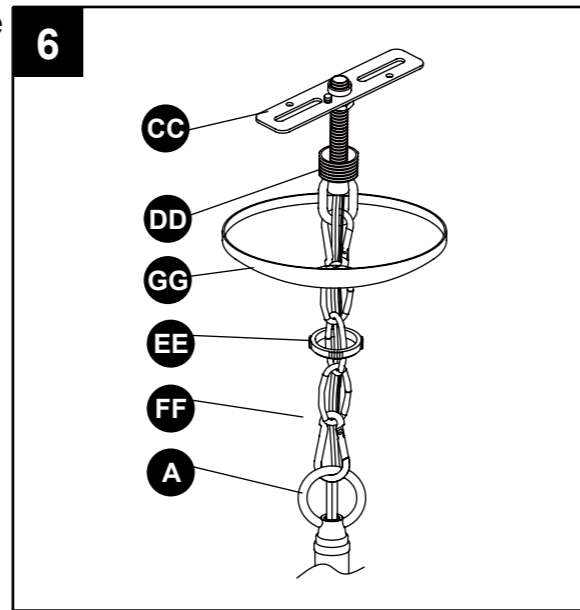
### Hardware Used

<b>CC</b> Crossbar		x 1
<b>DD</b> Screw Collar Loop		x 1
<b>EE</b> Ring		x 1
<b>FF</b> Chain		x 1
<b>GG</b> Canopy		x 1

7. Remove preassembled check rings (E) from sockets of fixture (C). Install glass shades (D), then secure with check rings (E). Install light bulbs (not included). Use 60-watt max. standard-base incandescent bulbs or halogen/CFL/LED equivalents.

Assembly is now complete.

8. To reverse the direction of the sockets after the initial installation, first remove knob (K), and cover (F) and save them for later use.

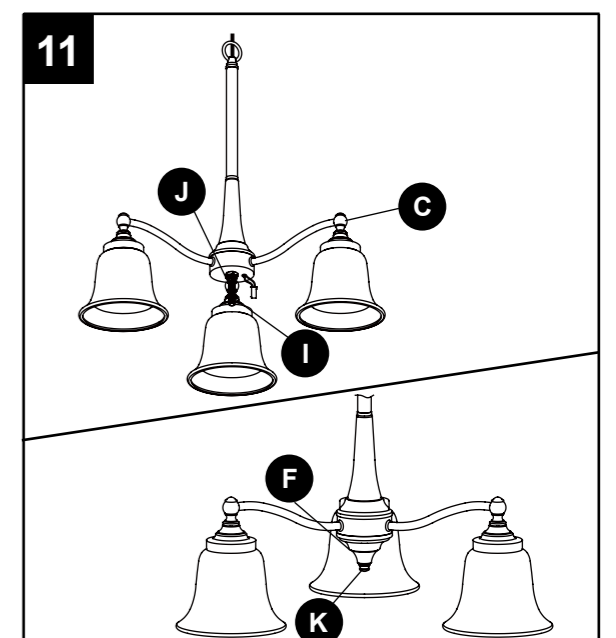
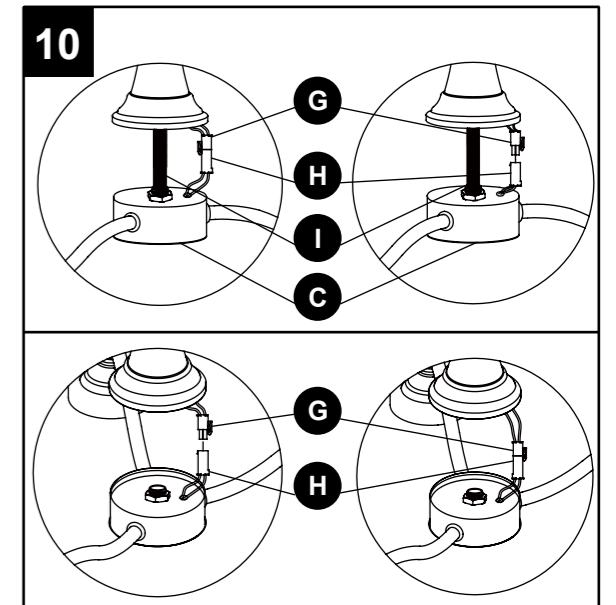
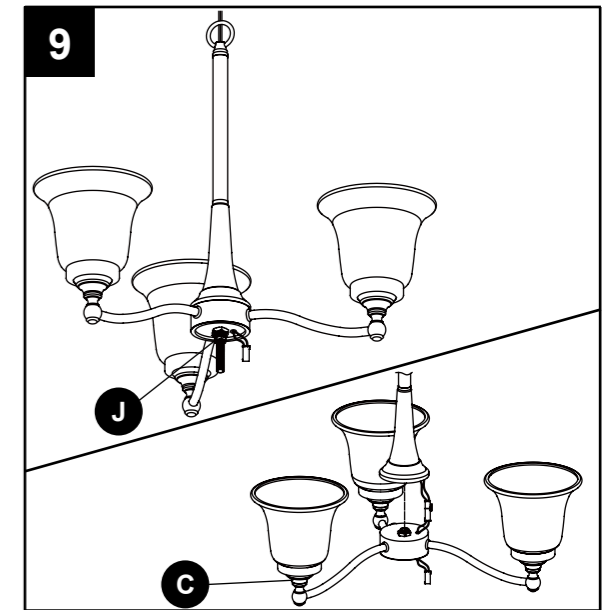


## ASSEMBLY INSTRUCTIONS

9. Remove hex nut (J) from the threaded nipple (I).  
**Note:** The assistance of another person is recommended to hold up fixture (C) during this step.

10. Remove the plug (G) from the slot (H), then remove the fixture (C) from the threaded nipple (I). Reverse the fixture (C), inserting the new plug (G) into the slot (H).

11. Re-tighten the hex nut (J) to secure fixture (C) on threaded nipple (I). Then, re-attach cover (F) and knob (K) to complete re-installation.



## CARE AND MAINTENANCE

- Shut off main power supply before wiping product with damp cloth or window cleaner. Do not use abrasives.

## TROUBLESHOOTING

PROBLEM	POSSIBLE CAUSE	CORRECTIVE ACTION
Bulb won't light.	1. Bulb is burned out. 2. Power is off. 3. Faulty wire connection. 4. Faulty switch.	1. Replace light bulb. 2. Make sure power supply is on. 3. Check wiring. 4. Test or replace switch.
Fuse blows or circuit breaker trips when light is turned on.	Crossed wires or power wire is grounding out.	Check wire connections.

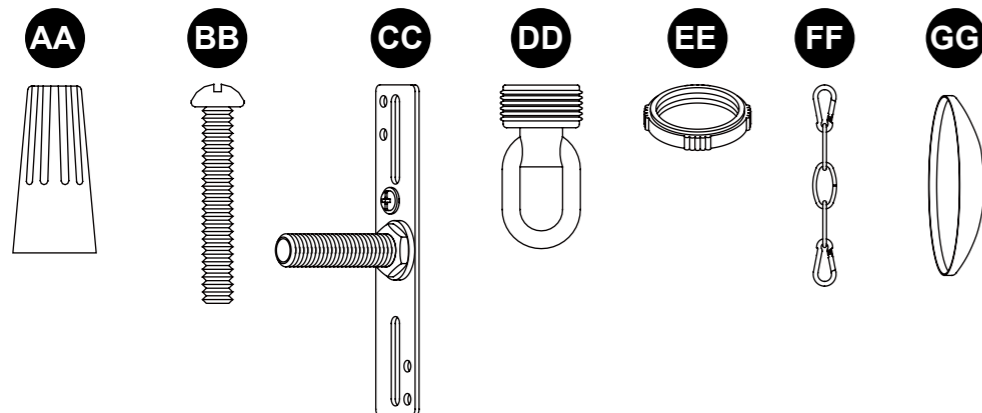
## WARRANTY

The manufacturer warrants all of its lighting fixtures against defects in materials and workmanship for one (1) year from the date of purchase. If within this period the product is found to be defective in material or workmanship, the product must be returned, with a copy of the original sales receipt as proof of purchase in the original carton, to the place of purchase. The manufacturer will, at its option, repair, replace or refund the original purchase price to the consumer. This warranty does not cover fixtures becoming defective due to misuse, accidental damage, improper handling and/or installation and specifically excludes liability for direct, incidental or consequential damages. As some states do not allow exclusions or limitations on an implied warranty, the above exclusions and limitations may not apply to you. This warranty gives you specific legal rights, and you may have other rights that vary from state to state.

## REPLACEMENT PARTS LIST

For replacement parts, call our customer service department at 1-800-643-0067, 8 a.m. - 6 p.m., EST, Monday - Thursday, 8 a.m. - 5 p.m., EST, Friday.

PART	DESCRIPTION	PART #
AA	Wire nut	375-022000
BB	Mounting screw	109-042600
CC	Crossbar	139-103009
DD	Screw collar loop	113-046004
EE	Ring	113-030000
FF	Chain	153-040000
GG	Canopy	121-126003



Printed in China

Lowes.com/portfolio

