

installation instructions:

BRACKETS & CORBELS

SAFETY INSTRUCTIONS

Make sure to use the correct tools recommended.

Wear safety goggles.

Follow fixture, power tools, and paint manufacturers' instructions and users manuals.

Use common sense and follow good construction practices.

Brackets & Corbels are not load bearing.

TOOL & MATERIAL CHECKLIST

- construction adhesive
- caulk
- caulking gun
- nail gun/hammer
- finishing nails
- extra fine sandpaper
- paint

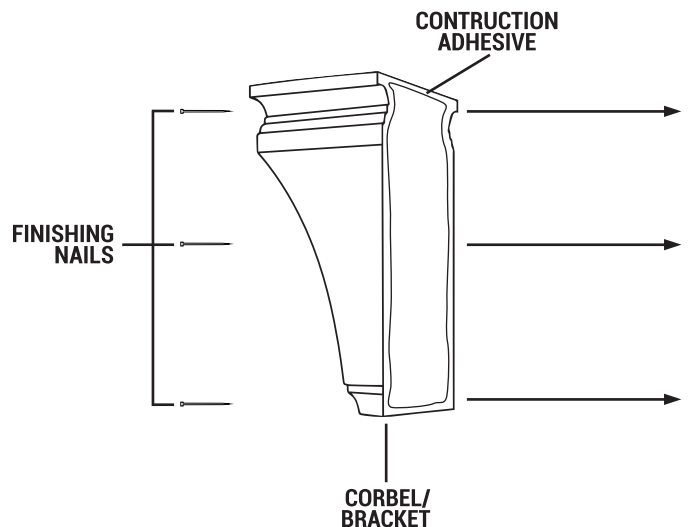
IMPORTANT INFO

- It is highly recommended that you paint/finish the brackets or corbels before installing.
- Recommended use of 100% acrylic latex paint for urethane products.
- Clean installation surface and back of bracket of all dirt and dust with a clean cloth or sponge.
- Make sure that the surface and the back of the bracket are completely dry before attempting installation.
- Urethane products are primarily used for decorative purposes.

INSTALL INSTRUCTIONS:

1. Lay the bracket or corbel face down on a soft surface that will not scratch/dent the bracket detail.
2. Apply adhesive to back edge of the bracket/corbel.
3. Mark and press the bracket/corbel up against the surface hold in place with painters tape or finishing nails while adhesive cures.
4. Wipe off any excess adhesive with a sponge or damp rag.
5. Apply silicone caulk as needed to fill in any gaps between bracket and wall.
6. Wipe off any excess adhesive and/or caulk with a sponge or damp rag.
7. Finishing nails may be used for added support. If used, fill in any nail holes with caulk and smooth the surface with a finger. Let any excess caulk dry. Once dry, lightly sand with extra fine sandpaper.
8. Touch-up bracket/corbel with touch-up paint as needed.

EXAMPLE DIAGRAM:



We Can Help. Call (866) 607-0453



EKENA
MILLWORK

Industry leading manufacturer of urethane, PVC, wood, rustic, and metal millwork

www.ekenamillwork.com