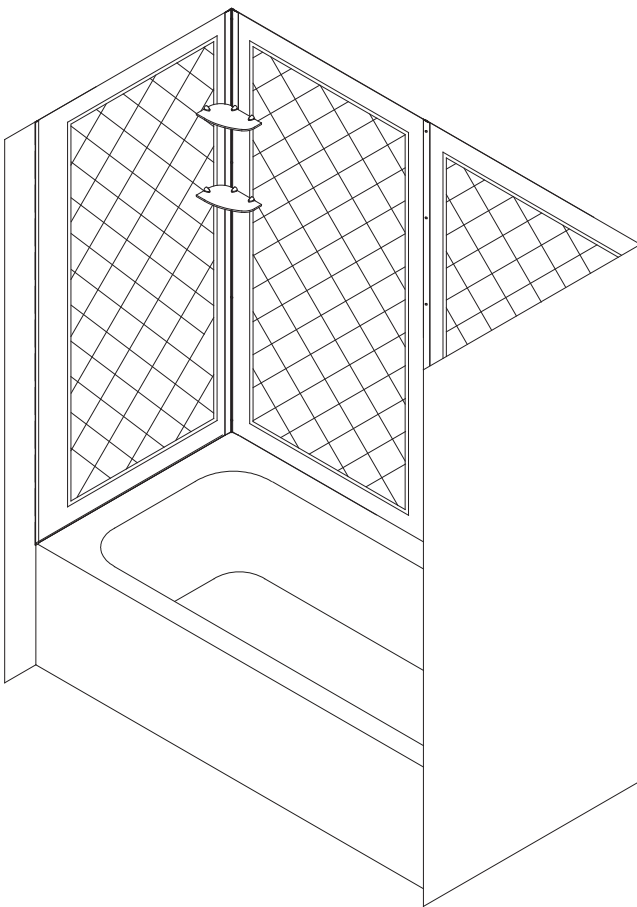


# Charisma Tub Door & Backwall

## TUB DOOR & BACKWALL INSTALLATION INSTRUCTIONS

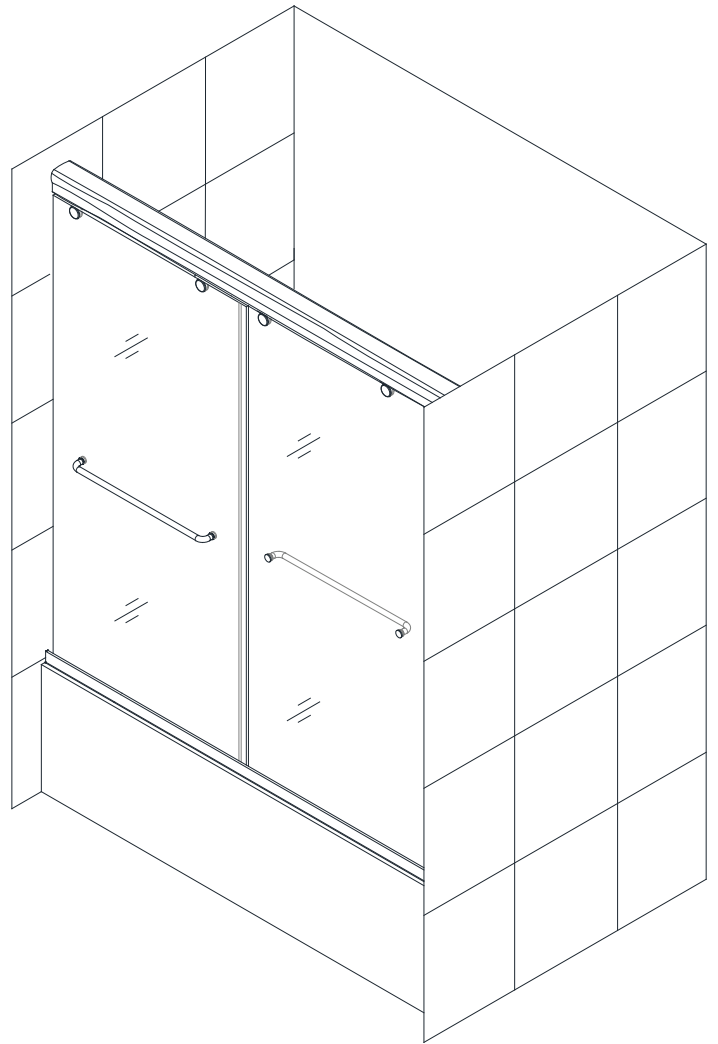
### IMPORTANT

DreamLine<sup>®</sup> reserves the right to alter, modify or redesign products at any time without prior notice. For the latest up-to-date technical drawings, manuals, warranty information or additional details please refer to your model's web page on **DreamLine.com**



**STEP 1: Shower Backwall Installation Instructions**

**STEP 2: Tub Door Installation Instructions**



### Questions?

Please Call **DreamLine** Customer Support: **1-855-831-2126**  
Hours of Operation M-F 8AM - 7PM EST and Saturday 9AM - 5PM EST

[Support@DreamLine.com](mailto:Support@DreamLine.com)



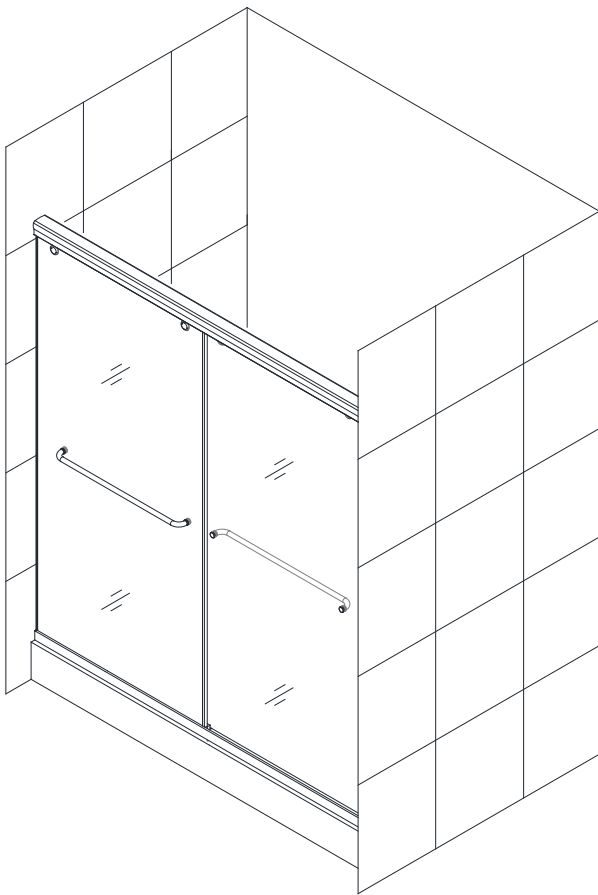
For more information about DreamLine<sup>®</sup> Shower Doors, Tub Doors & Enclosures, please visit **DreamLine.com**

# CHARISMA

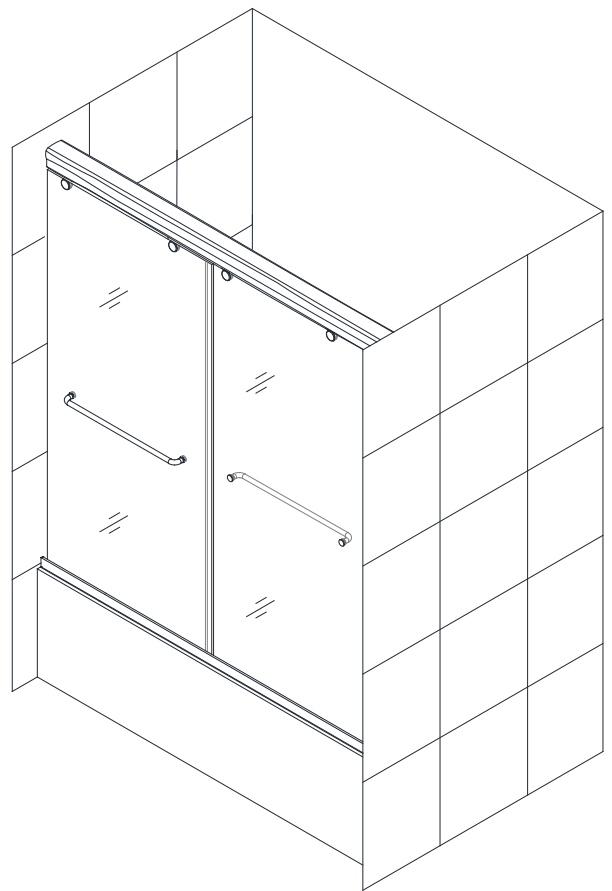
## SHOWER/TUB DOOR INSTALLATION INSTRUCTIONS

### IMPORTANT

DreamLine<sup>®</sup> reserves the right to alter, modify or redesign products at any time without prior notice. For the latest up-to-date technical drawings, manuals, warranty information or additional details please refer to your model's web page on **DreamLine.com**



Model#: SHDR-1360760-##  
Model#: SHDR-1348760-##



Model#: SHDR-1360580-##

##=finish  
01- Chrome  
04- Brushed Nickel



### Questions?

Please Call **DreamLine** Customer Support: **1-855-831-2126**  
Hours of Operation M-F 8AM - 7PM EST and Saturday 9AM - 5PM EST

[Support@DreamLine.com](mailto:Support@DreamLine.com)



For more information about DreamLine<sup>®</sup> Shower Doors, Tub Doors & Enclosures, please visit **DreamLine.com**



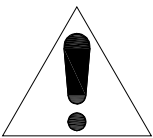
**This model is treated with DreamLine's exclusive ClearMax™ Glass technology. This is a specially formulated coating that prevents the build up of soap and water spots.**

**Install the surface with the ClearMax™ label towards the inside of the shower. Please note that depending on the model, the glass may be coated on either one or both surfaces.**

**For best results, squeegee the glass after each use and dry with a soft cloth.**

# Preparation

1. PRIOR TO INSTALLATION, EXAMINE ALL BOXES AND PACKAGES FOR SHIPPING DAMAGE AND COMPARE THE PIECE COUNT WITH YOUR PACKING SLIP. AFTER OPENING ALL BOXES AND PACKAGES READ THIS INTRODUCTION CAREFULLY. CHECK THAT ALL OF THE NEEDED PARTS ARE INCLUDED IN THE PACKAGE BY CHECKING OFF THE COMPONENTS ON THE "DETAILED DIAGRAM OF SHOWER DOOR COMPONENTS". IF THE UNIT HAS BEEN DAMAGED, HAS A FINISHING DEFECT, OR HAS MISSING PARTS, PLEASE CONTACT OUR CUSTOMER SUPPORT DEPARTMENT WITHIN **3 BUSINESS DAYS** OF THE DELIVERY DATE. PLEASE NOTE THAT **DREAMLINE® WILL NOT REPLACE ANY DAMAGED PRODUCTS OR MISSING PARTS FREE OF CHARGE AFTER 3 BUSINESS DAYS OR IF THE PRODUCT HAS BEEN INSTALLED.** FEEL FREE TO CONTACT DREAMLINE® IF YOU HAVE ANY QUESTIONS, AND PLEASE PROVIDE AN ORDER NUMBER, JOB NAME OR OTHER PROOF OF PURCHASE TO HELP US IDENTIFY YOUR ORIGINAL ORDER.
2. **PLEASE NOTE THAT YOU SHOULD CONSULT YOUR LOCAL BUILDING CODES WITH QUESTIONS ABOUT INSTALLATION COMPLIANCE STANDARDS. BUILDING AND PLUMBING CODES MAY VARY BY LOCATION, AND DREAMLINE® IS NOT RESPONSIBLE FOR CODE COMPLIANCE STANDARDS FOR YOUR PROJECT AND WILL NOT ACCEPT ANY RETURNS.**
3. IF THIS UNIT IS GOING TO BE INSTALLED IN A NEW CONSTRUCTION, PLEASE INSTALL ALL OF THE REQUIRED PLUMBING AND DRAINAGE BEFORE INSTALLING THE SHOWER. **USE A COMPETENT AND LICENSED (IF REQUIRED BY LOCAL CODE) PLUMBER FOR ALL PLUMBING INSTALLATION.**
4. PLEASE MAKE SURE THAT PRIOR TO BEGINNING THE INSTALLATION, THE SURFACES ARE LEVELED AND SOLID AND WILL BE ABLE TO SUPPORT THE TOTAL WEIGHT OF THE UNIT. ALSO MAKE SURE THE WALLS ARE AT RIGHT ANGLES. IRREGULAR INSTALLATION SURFACE LEVEL, RADIUS CORNERS OR IMPROPER ANGLE OF SIDE WALLS WILL RESULT IN SERIOUS PROBLEMS FOR YOUR INSTALLATION. PLEASE NOTE THAT SOME ADJUSTMENTS AND DRILLING MAY BE NECESSARY DURING THE INSTALLATION PROCESS.
5. PLEASE PROTECT ALL PRIMARY SURFACES OF THE PRODUCT DURING INSTALLATION. NEVER SET YOUR GLASS DOWN DIRECTLY ONTO A TILE FLOOR. LEAVE CORNER PROTECTORS IN PLACE UNTIL IT IS NECESSARY TO REMOVE THEM. ALWAYS USE A PIECE OF WOOD OR CARDBOARD TO PROTECT THE BOTTOM EDGE AND CORNERS OF THE GLASS PRIOR TO AND DURING INSTALLATION.
6. THIS UNIT MUST BE INSTALLED UPON A FINISHED THRESHOLD AND AGAINST FINISHED WALLS.
7. **PLEASE NOTE! THIS DOOR DOES NOT HAVE OUT-OF-PLUMB ADJUSTMENT.** MAKE SURE YOUR WALLS ARE PLUMB, YOUR SILL IS LEVEL, AND THAT YOUR FINISHED OPENING WIDTH IS BETWEEN 56" TO 60" FOR THE 60" MODELS; OR BETWEEN 44" TO 48" FOR THE 48" MODEL.
8. **THIS MODEL REQUIRES A MINIMUM OF 2" OF FLAT THRESHOLD SPACE FOR INSTALLATION.**
9. INSTALLATION INTO A STUD OR OTHER WOOD REINFORCEMENT BEHIND THE WALL IS RECOMMENDED.
10. PROFESSIONAL INSTALLATION RECOMMENDED.



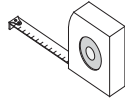
**NOTE: DO NOT INSTALL THE TOWEL BARS ON THE GLASS UNTIL INSTRUCTED TO DO SO. DO NOT LIFT THE GLASS USING THE TOWEL BARS.** THIS COULD RESULT IN DAMAGE TO THE GLASS AND/OR SERIOUS PERSONAL INJURY. ALWAYS USE AN ASSISTANT OR A PROFESSIONAL GRADE GLASS SUCTION CUP WHEN HANDLING HEAVY GLASS.

**NOTE:** THIS MANUAL WILL DESCRIBE THE SHOWER DOOR INSTALLATION. PLEASE FOLLOW THE SAME SEQUENCE OF INSTALLATION STEPS FOR THE TUB DOOR INSTALLATION.

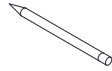
## Tools



Level



Tape Measure



Pencil



Phillips Screwdriver



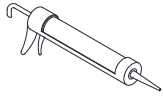
Drill bit  
5/16"  
(8mm)



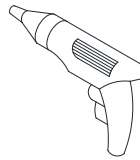
Drill bit  
3/16"  
(5mm)



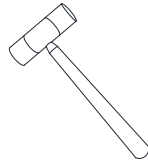
Drill bit  
9/64"  
(3.5mm)



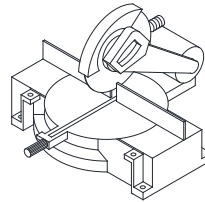
Silicone



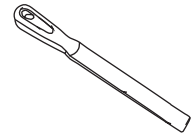
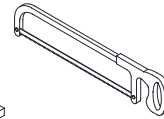
Power Drill



Hammer



Miter saw or Hacksaw



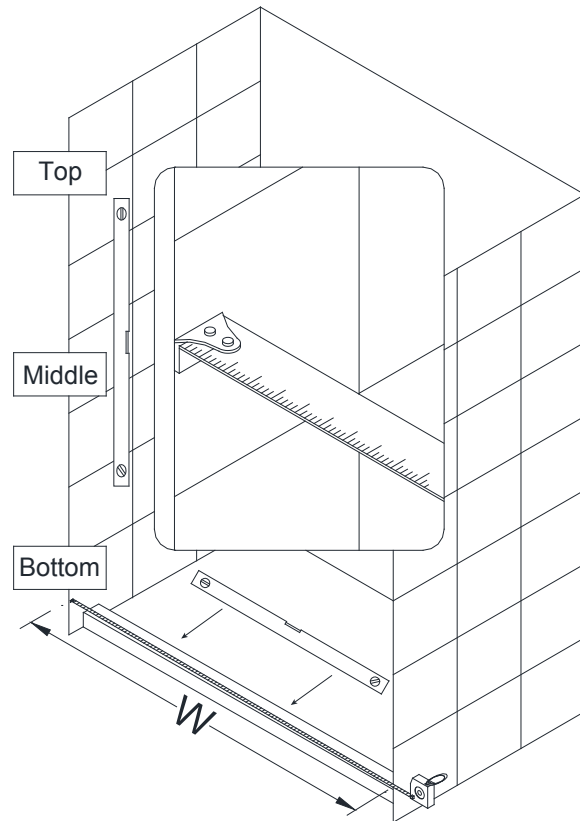
Metal File



Painter's Tape

**Tip:** Measure the finished opening before proceeding with the installation to be sure that the correct model size has been ordered.

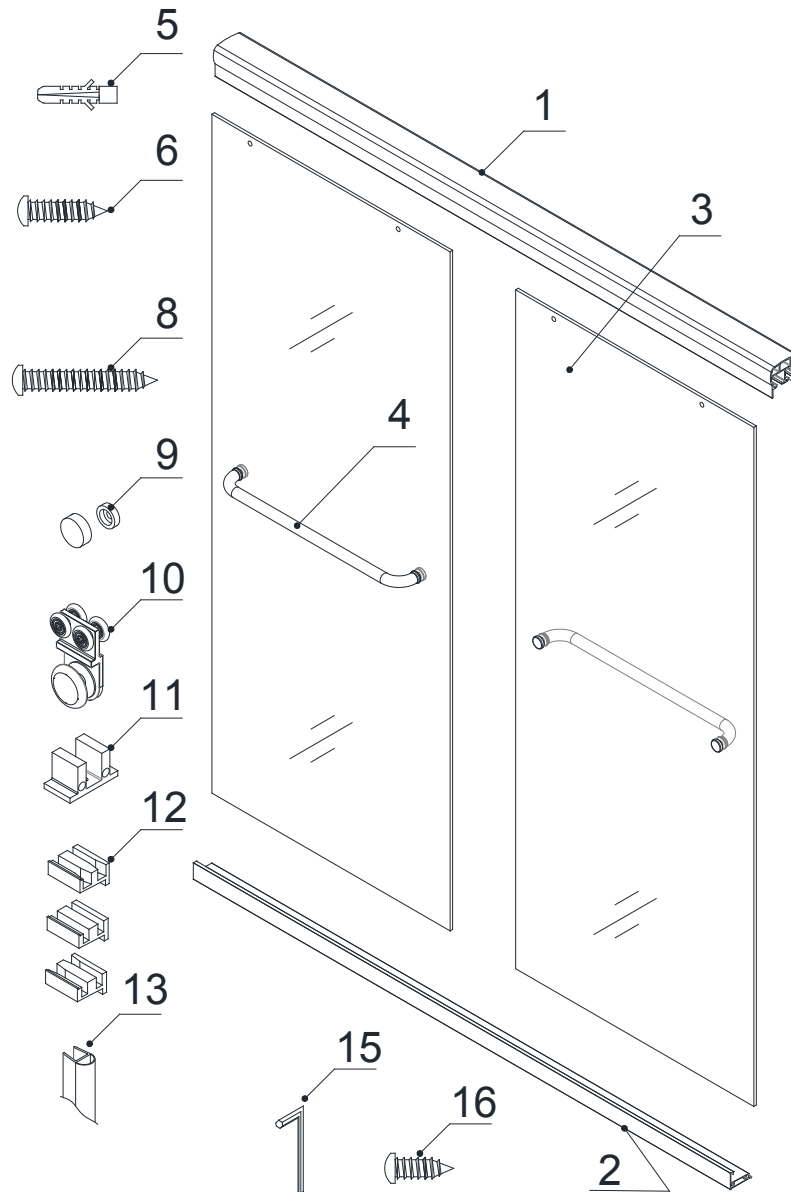
**Tip:** Prior to installation, cover the shower/tub drain with tape to prevent losing screws or small parts.



**NOTE:** Unpack your unit carefully and inspect it. Lay it out and identify all parts using the detailed diagram and packing list in this manual as a reference. Before discarding the carton, check for small hardware bags that may have fallen to the bottom of the box. If any parts are damaged or missing, please contact DreamLine® for replacement. The shipping boxes may contain extra parts not used in your model configuration.

**NOTE:** Retain these installation instructions for future reference.

## Detailed Diagram of shower door components



**The glass surface with the ClearMax™ label must be installed facing the inside of the shower**

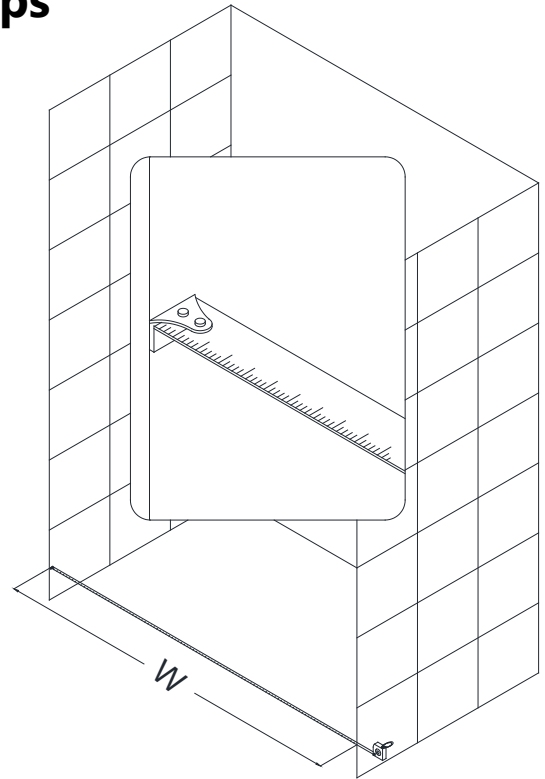
### Parts List

#	Item	Qty	#	Item	Qty
1	Guide rail	1PC	9	Decorative cover for Guide block	6PCS
2	Bottom Rail	1PC	10	Roller assembly	4PCS
3	Door Glass	2PCS	11	Guide rail bracket	2PCS
4	Towel Bar	2PCS	12	Guide Block (left / right / middle)	1set
5	Wall anchor	4PCS	13	Bumper strips	4PCS
6	Round head screw ST4.2×16	6PCS	15	3mm hex wrench	1PC
8	Round head screw ST4.2×40	4PCS	16	Round head screw ST4.2×10	4PCS

# Installation steps

**1.** Measure the finished opening width at the top, middle and bottom. This distance is marked as "W".

**See Fig 1 for details**



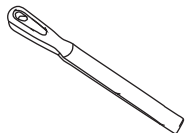
**Fig 1**

**2.** The **Guide Rail (#01)** and the **Bottom Rail (#02)** have been precut for your **model size** width of **48" or 60"**. If your finished opening width is less than 48" or 60", you will need to cut the **Guide Rail (01)** and the **Bottom Rail (02)** to "**W**" (**W = finished opening -1/16"**).

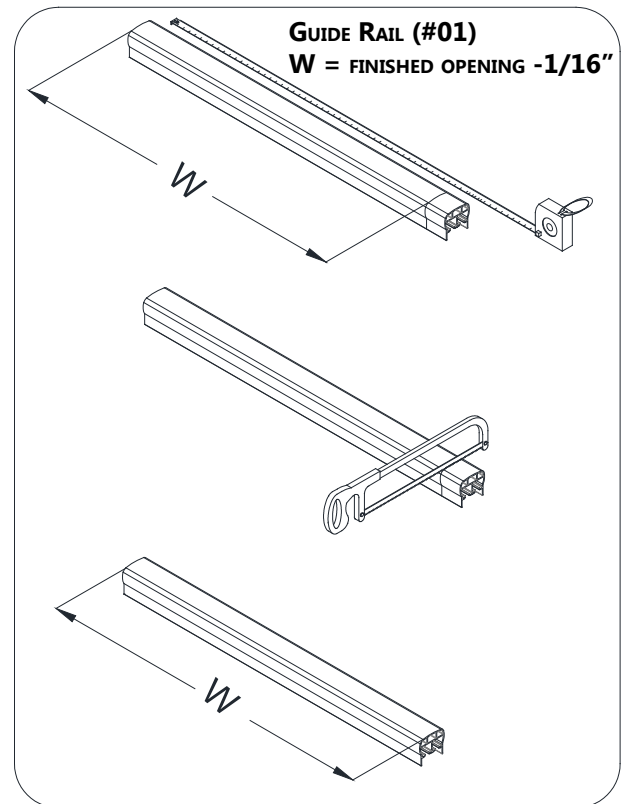
>The **Guide Rail (#01)** can be cut from either end. (**Fig 2**)  
>The **Bottom Rail (#02)** **must be cut equally from both ends.** (**Fig 3**) so that the center guide holes stay centered.

You can use a miter saw or a hack saw. Use a metal file to file down any burrs that occur to prevent scratches to the wall.

**See Fig 2 for details**

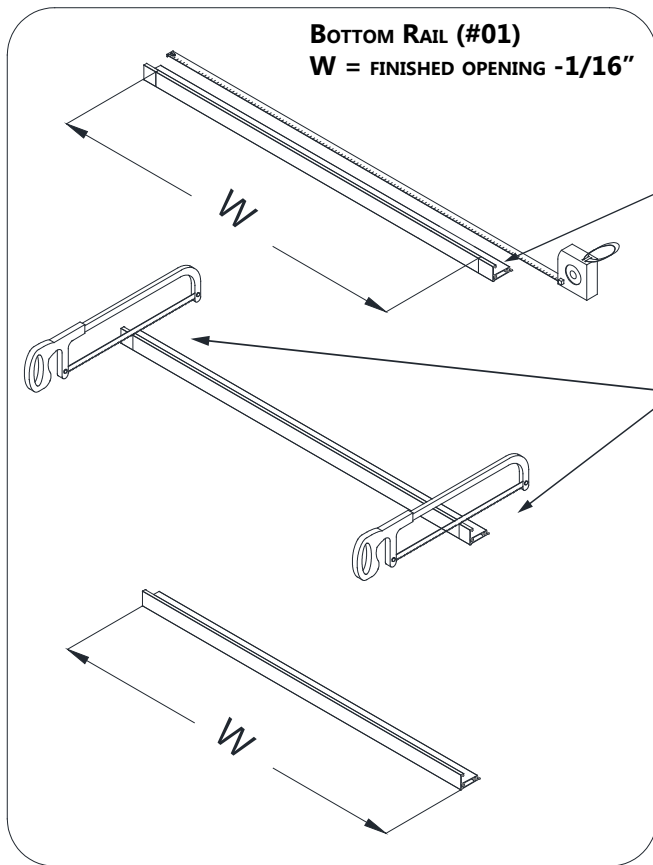


Metal File



**Fig 2**

**NOTE: This unit does not allow for out-of-plumb wall conditions.**



Divide the amount to be cut off by 2...

...then cut off equal amounts from each end

**For Example,** if the rail measures 60" out of the box and your finished opening = 57", then you will need to cut 1-1/2" from each end.

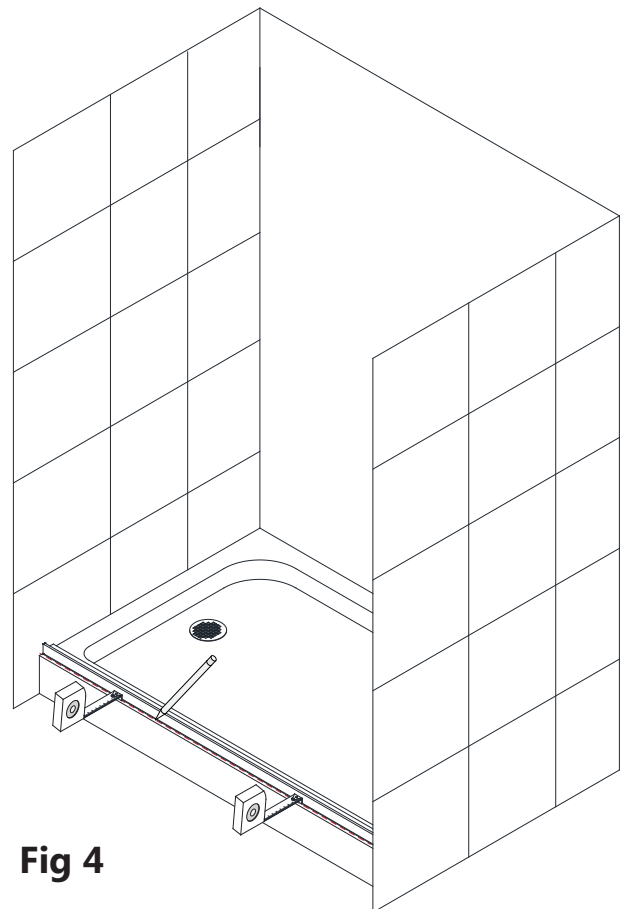
Place the **Bottom Rail (#02)** in the desired position and parallel to the front edge of the Shower base or the Tub deck.  
 (60" minus 57" = 3", divided by 2 = 1-1/2").  
 Note that the actual cutoff amount will vary based on the actual finished opening dimension.

**Fig 3**

**See Fig 3 for details**

**3.** Place the **Bottom Rail (#02)** in the desired position and parallel to the front edge of the Shower base or the Tub deck, and mark its position on the threshold.

**See Fig 4 for details**

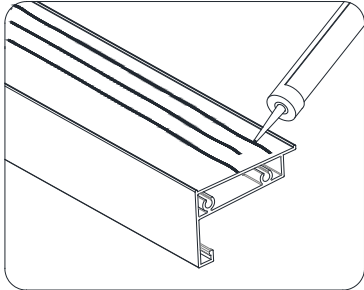


**Fig 4**



4. Apply silicone to the underside of the bottom rail, then position it in place on the threshold.

See Fig 5 for details



**TIP:** Use Painter's tape to hold the bottom rail in place while the silicone cures.



5. Draw a plumb line from the front outside edge of the **Bottom Rail (#02)** up from the threshold/tub deck surface to locate the left **Guide Rail Bracket (#11)**.

See Fig 6 for details

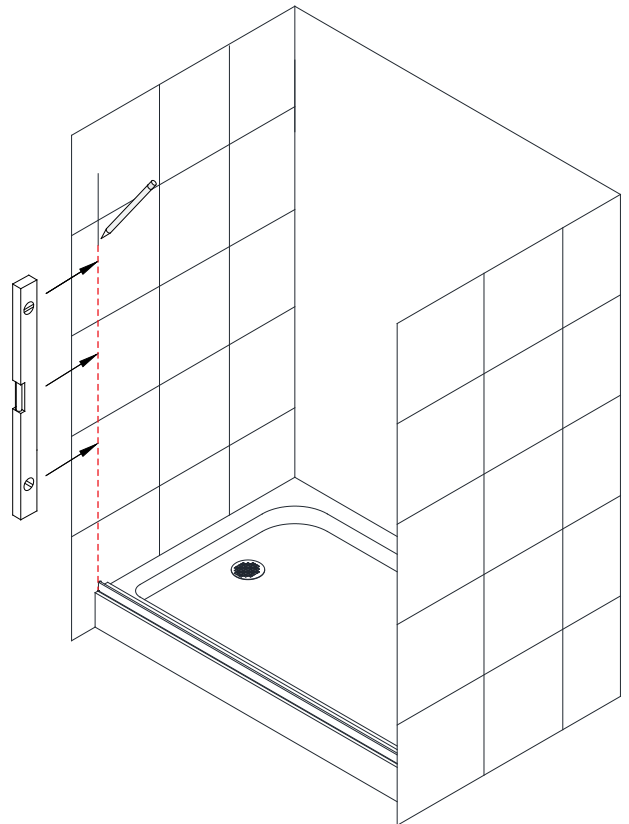


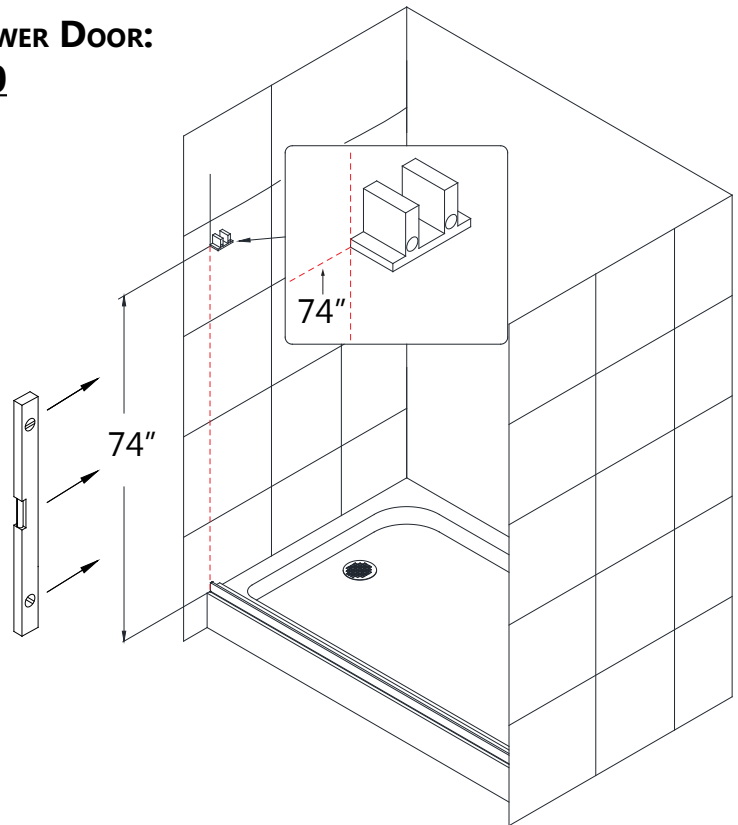
Fig 6

**HEIGHT OF THE GUIDE RAIL BRACKET FOR 76" SHOWER DOOR:  
MODEL # SHDR-1348760 & SHDR-1360760**

**6.** Place the **Guide Rail Bracket (#11)** at a height of **74"** from the base.

Align the front bottom corner of the **Guide Rail Bracket (#11)** with the outside of the **Bottom Rail (#02)** to mark the wall for drilling. Be sure to keep the **Guide Rail Bracket (#11)** level.

**See Fig 7 for details**



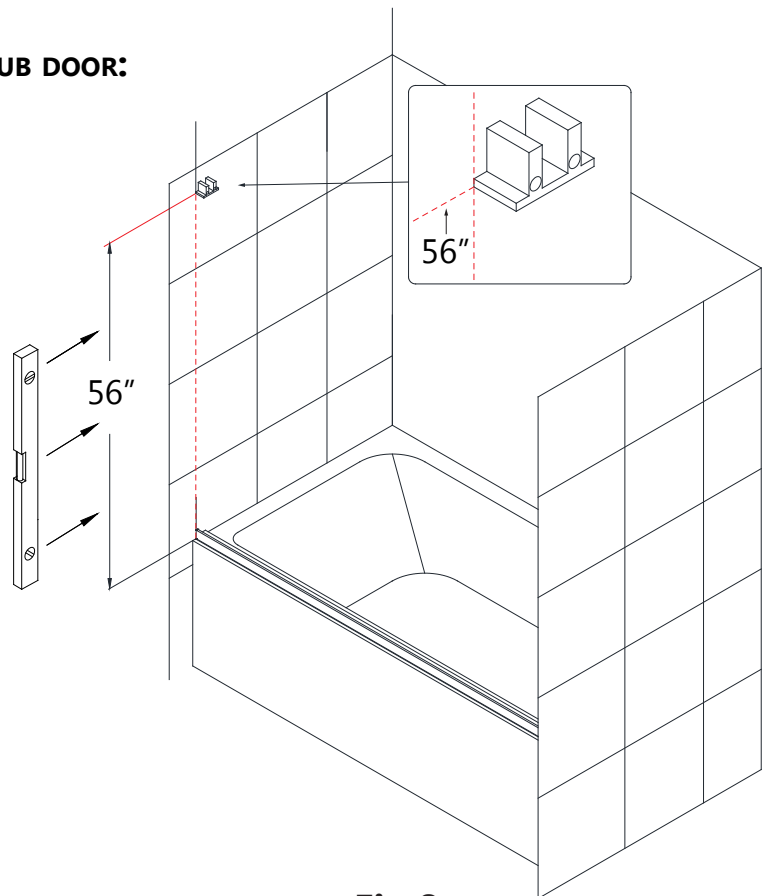
**Fig 7**

**HEIGHT OF THE GUIDE RAIL BRACKET FOR 58" TUB DOOR:  
MODEL # SHDR-1360580**

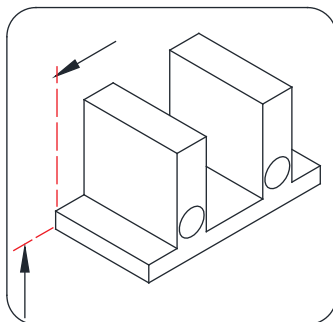
**7.** Place the front edge of the **Guide Rail Bracket (#11)** on the plumb line at a height of **56"** from the base.

Align the front bottom corner of the **Guide Rail Bracket (#11)** with the outside of the **Bottom Rail (#02)** to mark the wall for drilling.

**See Fig 8 for details**



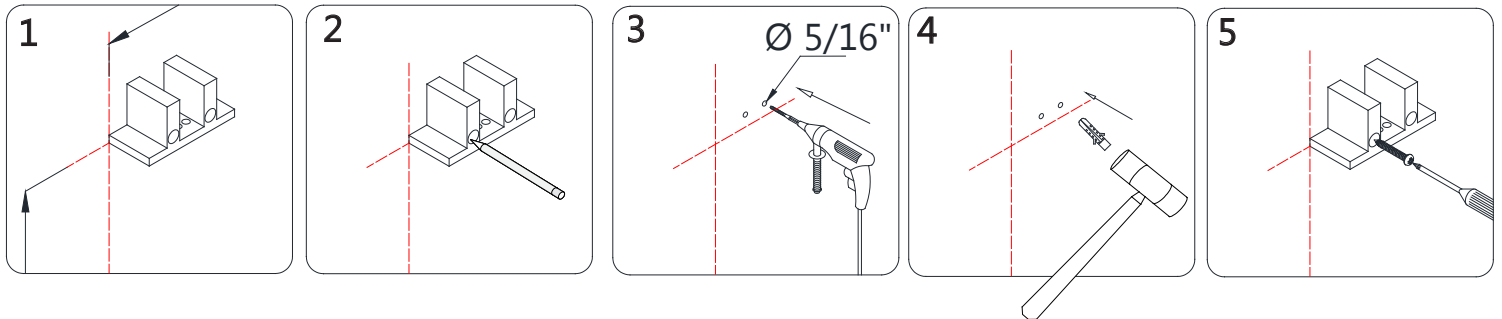
**Fig 8**



**Note:** Be sure to keep the Guide Rail Brackets level.

**8.** Mark the drill holes on the wall using the **Guide rail bracket (#11)**. Drill the holes using a **Ø5/16"** drill bit. Insert the **Wall anchors (#05)** and secure the **Guide rail bracket (#11)** to the wall with the **Round head screw ST4.2×40 (#08)**.

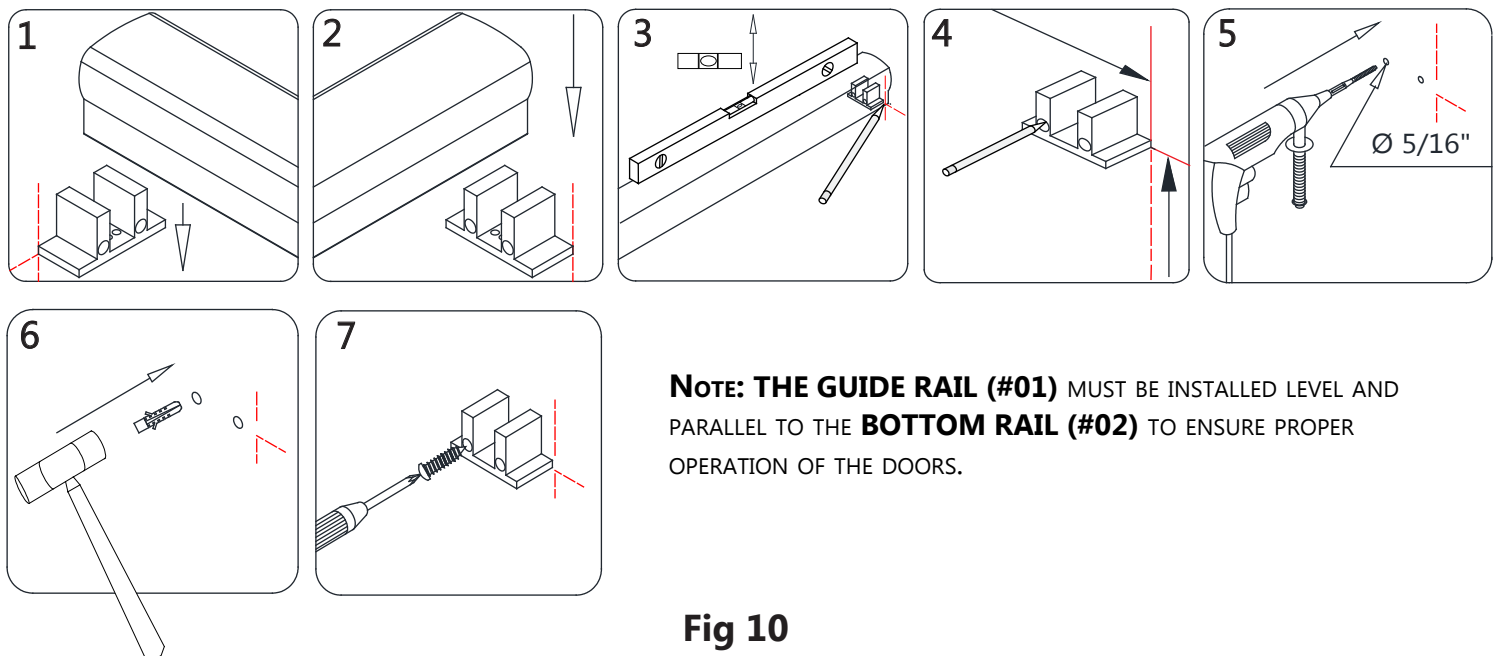
See Fig 9 for details



**Fig 9**

**9.** Place the **Guide Rail (#01)** onto the installed **Guide Rail bracket (#11)**. Use a level to confirm the installation height of the second bracket before drilling on the opposite wall. Mark a level location for the second bracket. Repeat **Step #7** to mount the second **Guide Rail Bracket (#11)** to the wall.

See Fig 10 for details



**Fig 10**

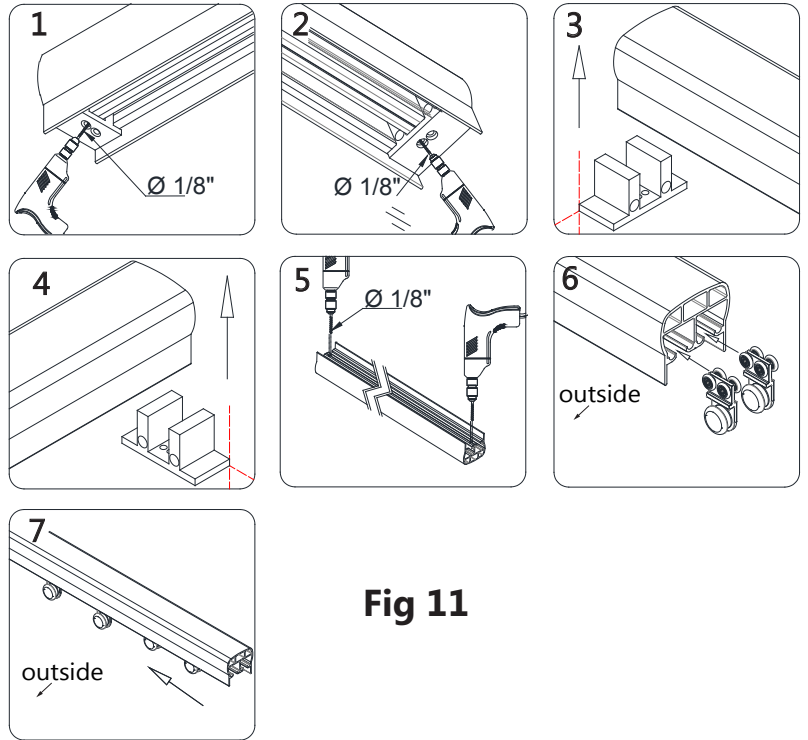
**10.** Install the **Guide Rail (#01)** over the top of the **Guide Rail brackets (#11)** and lock them together. Mark the drill holes in the underside of the **Guide Rail (#01)** through the holes in the bottom of the bracket. Remove the **Guide Rail (#01)** and drill the holes using an **Ø1/8" drill bit**.

Before attaching the **Guide Rail (#01)** to the **Guide Rail brackets (#11)**:

Slide two **Roller assemblies (#10)** into each channel of the **Guide Rail (#01)** with the finished surface of the disks facing out.

(Fig 11.6, 11.7)

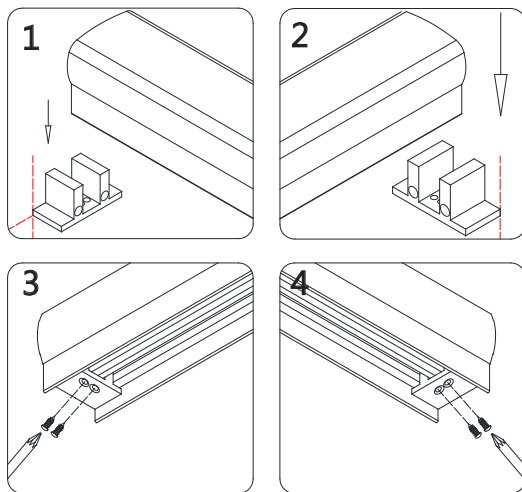
**See Fig 11 for details**



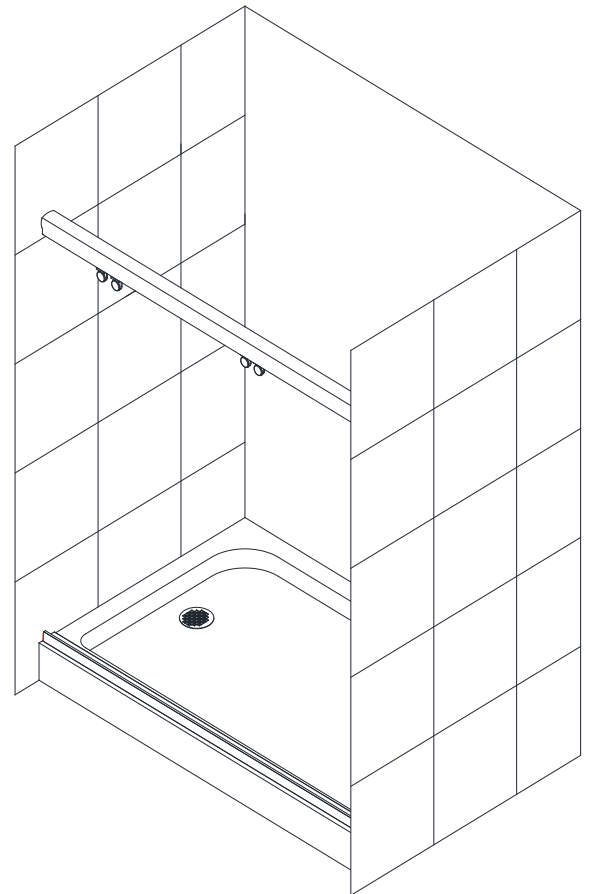
**Fig 11**

**11.** Place the **Guide Rail (#01)** back into position on the **Guide Rail Brackets (#11)** and fasten the **Guide Rail (#01)** to the **Guide Rail Brackets (#11)** with the **Round Head Screws ST4.2×10 (#16)**.

**See Fig 12 for details**



**Fig 12**



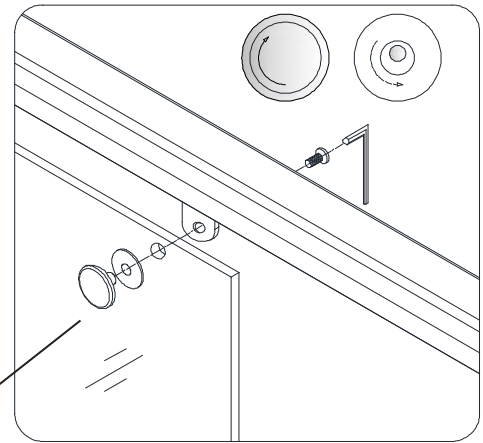
**12.** Secure the **Door Glass (#03)** onto the **Roller assemblies (#10)** and fasten them with the provided bolts.

**See Fig 13 for details**

**TIP: BE SURE TO COVER THE DRAIN TO PREVENT LOOSING ANY SCREWS.**

**NOTE: ROTATING THE GLASS HOLDER OUTER DISKS:**

**THE DISK BOLT IS POSITIONED OFF-CENTER BY 1/8" TO PROVIDE FOR SOME MINOR ADJUSTMENTS TO THE DOOR GLASS TO ACHIEVE A BETTER SEAL WITH THE WALL. YOU WILL NEED AN ASSISTANT TO SUPPORT THE WEIGHT OF THE GLASS WHILE YOU LOOSEN THE BOLT, ROTATE THE DISK AND RE-TIGHTEN THE BOLT.**

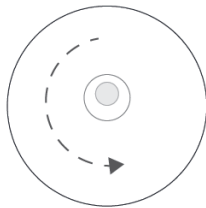


**Fig 13**

Roller Adjustment Disk



view from outside



view from inside

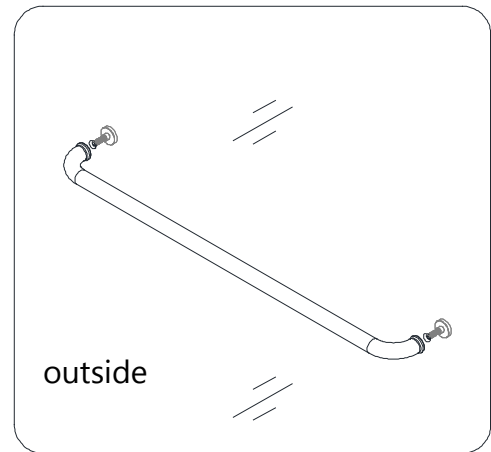
**13.** Install the towel bars onto the door glass.

**See Fig 14 for details**

**NOTE:**

**ON THE OUTSIDE DOOR GLASS, THE TOWEL BAR IS INSTALLED FACING OUTWARD.**

**ON THE INSIDE DOOR GLASS, THE TOWEL BAR IS INSTALLED FACING INWARD.**



**Fig 14**

**NOTE:**

**DO NOT USE THE TOWEL BARS TO LIFT THE GLASS! THIS MAY RESULT IN DAMAGE TO THE GLASS AND/OR SERIOUS PERSONAL INJURY.**

**14.** As viewed from the outside:

Slide the **Door Glass (#03)** to the right side and secure the **Left Guide block (#12)** to the left end of the **Bottom Rail (#02)**.

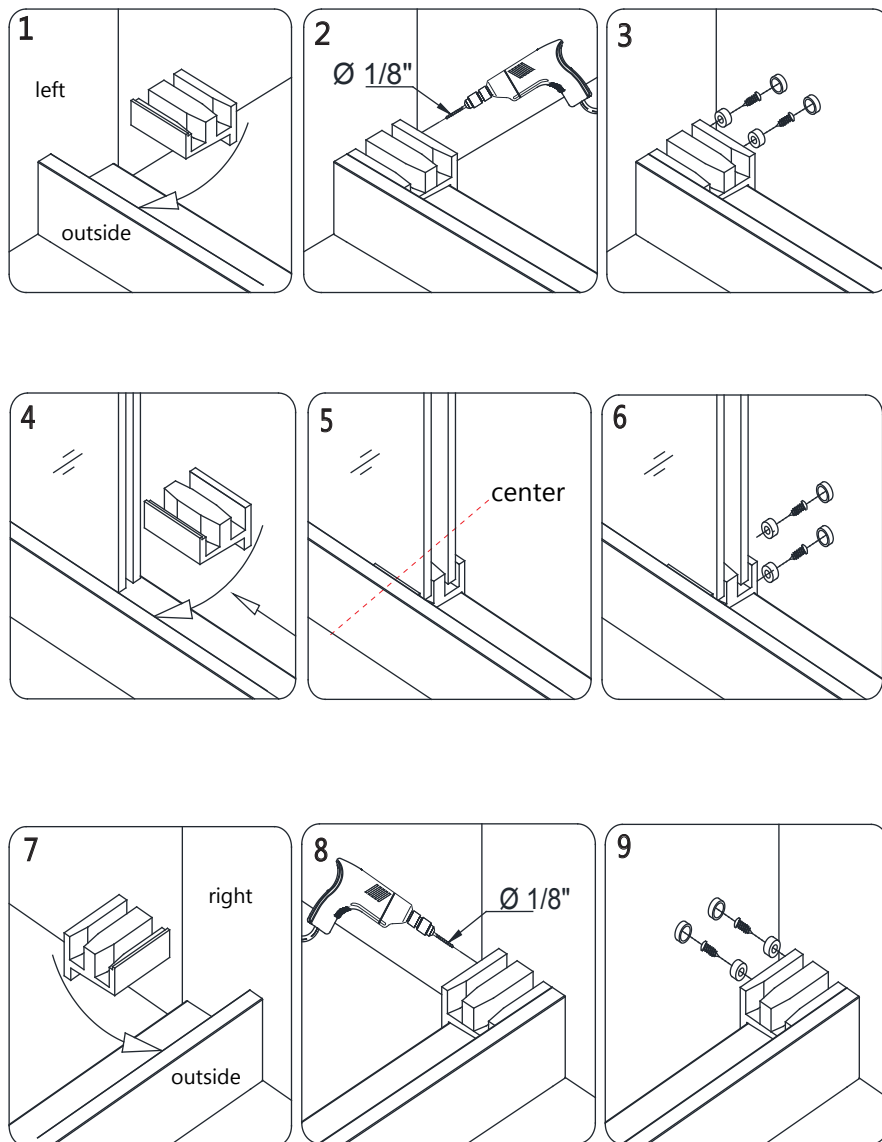
Drill  $\text{Ø}1/8''$  holes into the **Bottom Rail (#02)** through holes in the **Guide block (#12)** and fasten the **Guide Block (#12)** with the **Round head screw ST4.2×16 (#06)**.

Install the **Middle Guide block (#12)** into the pre-drilled holes in the **Bottom Rail (#02)** using the **Round head screws ST4.2×16 (#06)**.

Now slide the doors to the left side and install the **Right Guide block (#12)** to the right end of the **Bottom Rail (#02)**.

Cover the screws with the **Decorative covers for Guide block (#09)**.

**See Fig 15 for details**

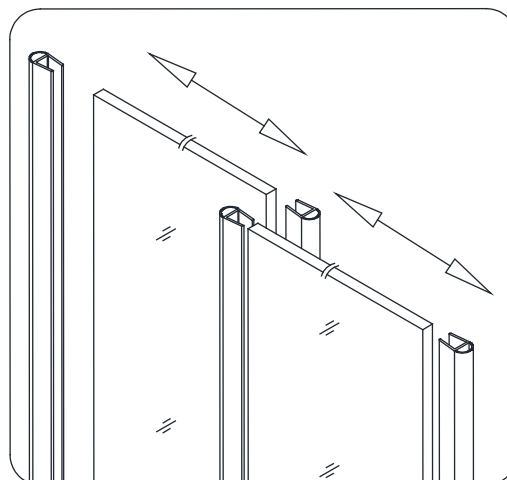


**Fig 15**

**15.** Press the **Bumper strips (#13)** onto the vertical edges of the **Door Glass (#03)**.

Trim the bottom of the bumper strips so that they do not bind in the guide blocks.

**See Fig 16 for details**

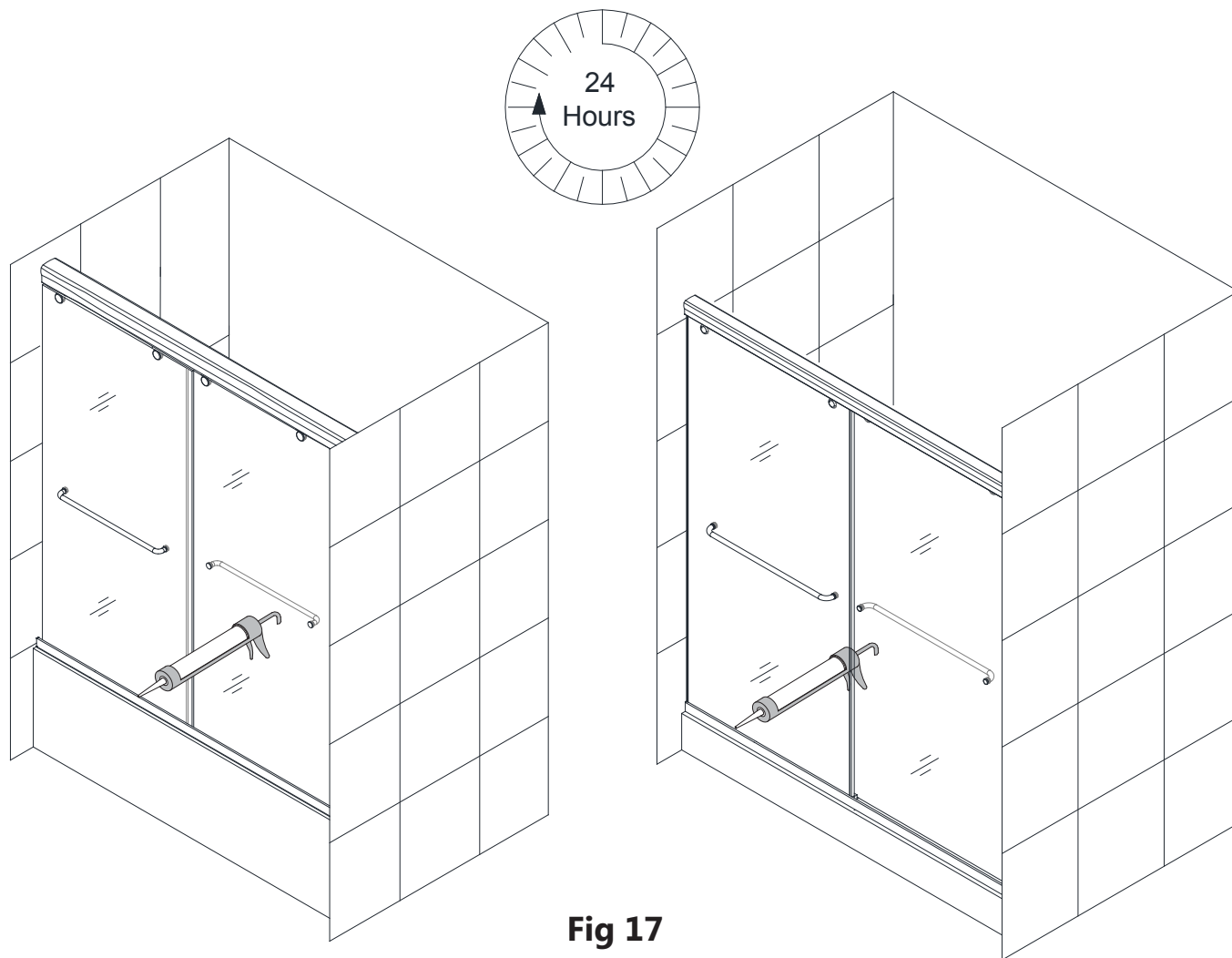


**Fig 16**

**16.** Apply a good quality mildew-resistant silicone along the connection of the **Guide Rail (#01)** and the shower base or tub deck.

**Allow 24 hours for the silicone to fully cure before using the shower.**

**See Fig 17 for details**



**Fig 17**

## **Product Maintenance**

**BASES and BACKWALLS:** To ensure long lasting life for your acrylic back walls: wipe them off after each use with a soft cloth. To clean the acrylic back walls use non-abrasive sprays or cream based cleaners. Avoid the use of aerosol spray cleaners. Never use abrasive cleansers, metal brushes or scrapers that could scratch or dull the surface.

**GLASS:** To ensure long lasting life for your glass shower products: wipe them off after each use with a soft cloth. Rinse and wipe off the glass using either a soft cloth or a squeegee to prevent soap buildup and water spots (Hard water can etch the surface of the glass over time if left to dry). To prevent scratching the surface: never use abrasive cleaners or cleaning products that contain scouring agents. Never use bristle brushes or abrasive sponges that may scratch the surface.

**HARDWARE:** To ensure a long lasting finish: wipe off the metal parts after each use with a soft cloth. Do not use abrasive cleaners or cleaning products containing ammonia, bleach or acid. If accidentally used, rinse the surface as soon as possible to prevent damage to the finish (peeling or corrosion). After cleaning the polished finishes, rinse thoroughly and wipe dry with soft cloth. Clean stainless steel surfaces at least once a week. When applying stainless steel cleaner or polish to stainless steel hardware, work with (not across) the grain. Never use an abrasive sponge or cloth, steel wool or wired brush as these may permanently scratch the surfaces.

**NOTE: To maximize the life of your door, it is important to regularly inspect the glass and other hardware for misalignment, proper attachment, and/or damage. Contact DreamLine with any questions or concerns.**





**DREAMLINE**<sup>®</sup>  
THE ULTIMATE SHOWER DOOR

TEL: 866-731-2244  
FAX: 866-857-3638  
DREAMLINE.COM

For more information on DreamLine<sup>®</sup> Shower Doors and Enclosure please visit **DreamLine.com**

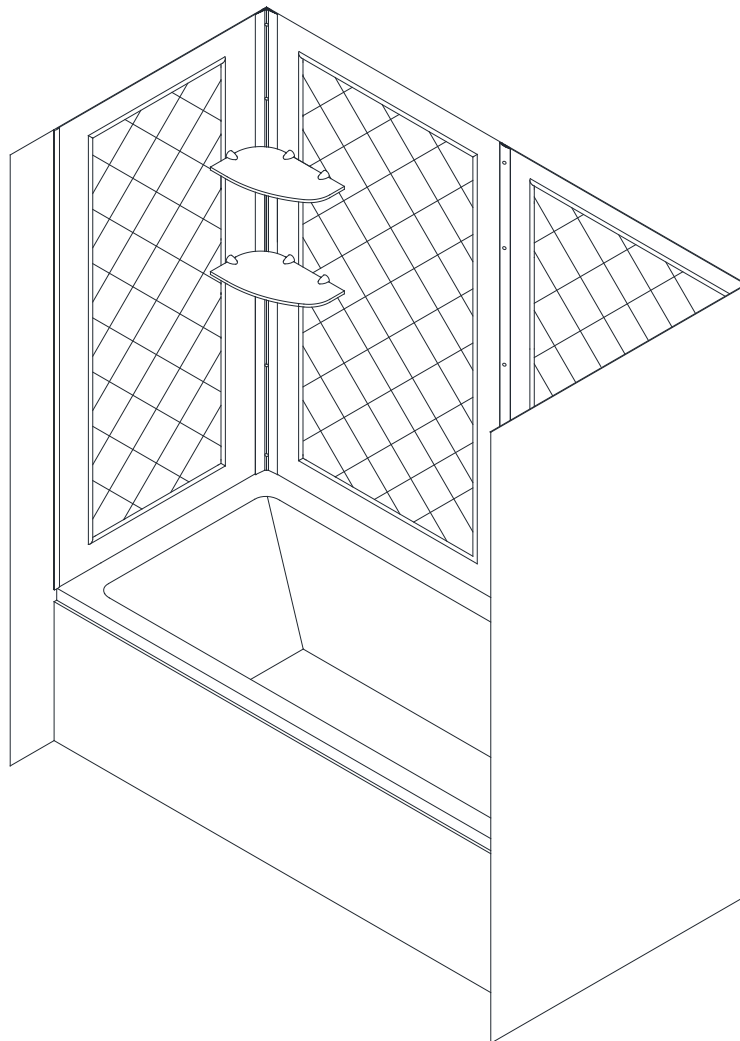


## QWALL TUB

### TUB ACRYLIC BACK WALL INSTALLATION INSTRUCTIONS

#### **IMPORTANT**

DreamLine™ reserves the right to alter, modify or redesign products at any time without prior notice. For the latest up-to-date technical drawings, manuals or any other details please refer to the [support.BathAuthority.com](http://support.BathAuthority.com) web page.



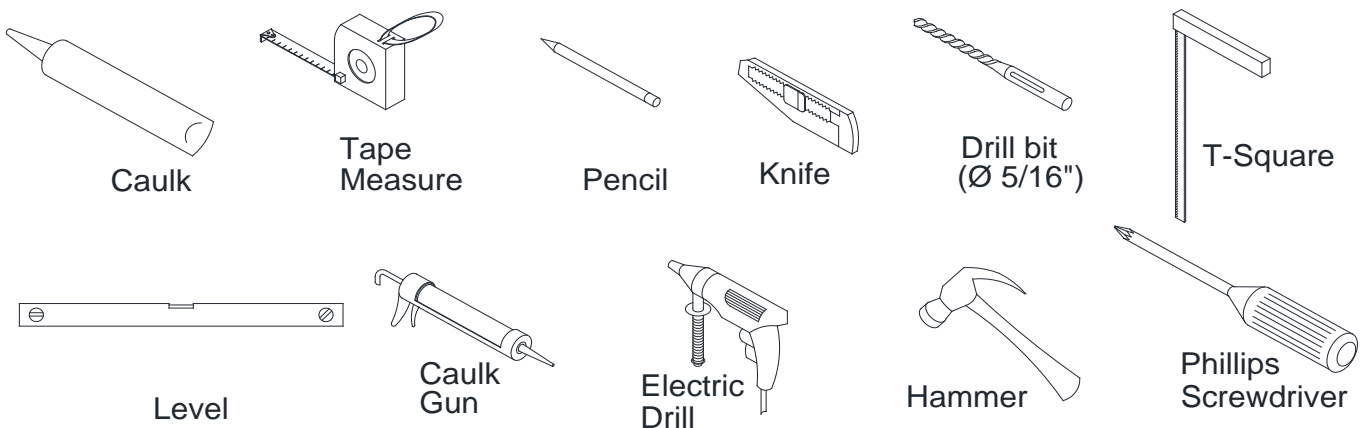
Please carefully read the instructions before installing. If you have any questions regarding installation, please call our technical support specialists Monday through Friday 9:00 AM – 5:00 PM EST at 1-866-731-8378, ext. 3 or e-mail our technical support group at [support@BathAuthority.com](mailto:support@BathAuthority.com).

For more information on [DreamLine™ Tub Back Wall](http://www.BathAuthority.com) please visit [www.BathAuthority.com](http://www.BathAuthority.com)

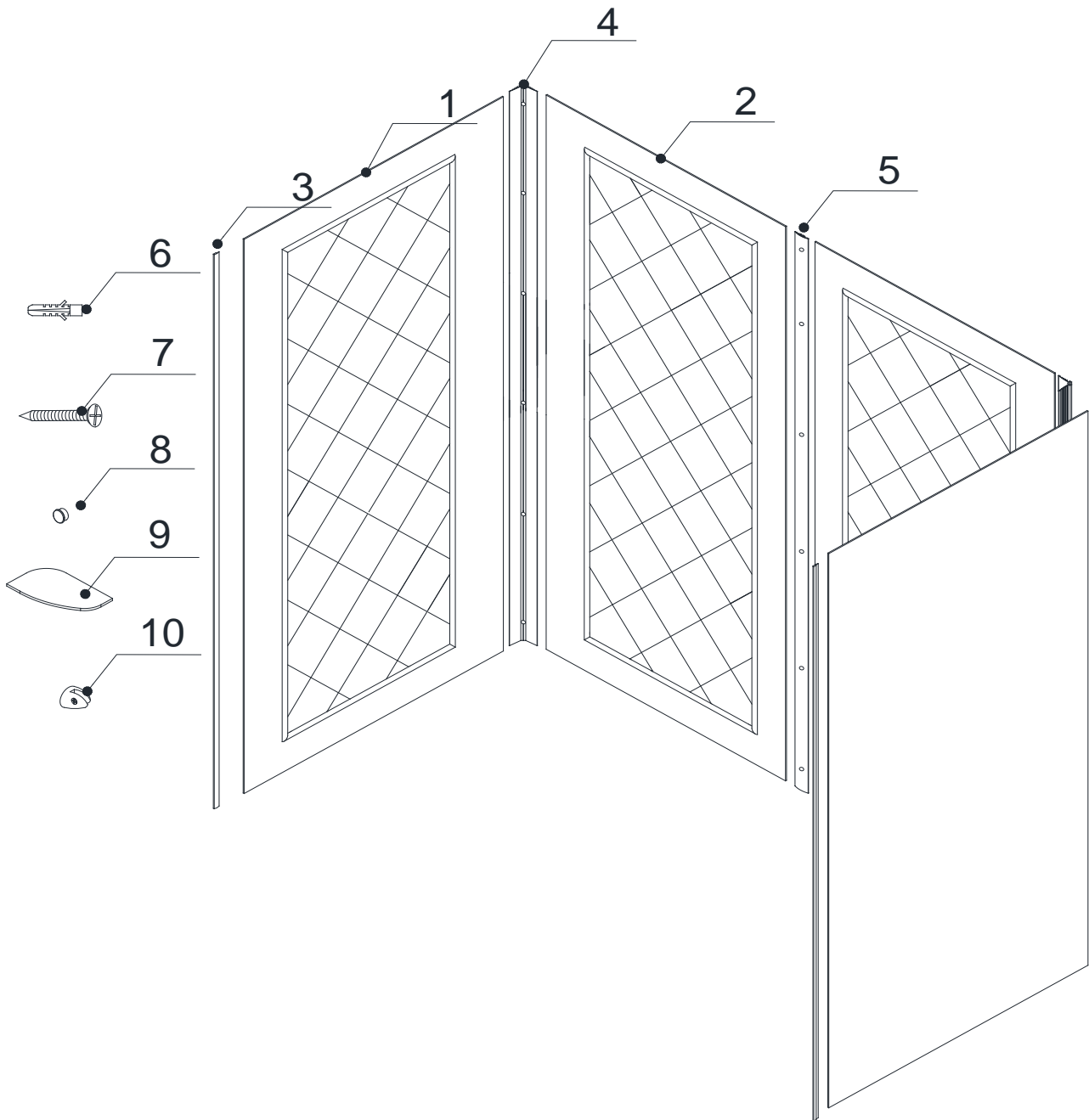
## Preparation

1. After opening all boxes and packages, read this introduction carefully. Check that all of the needed parts are included in the package, by marking all the components on the "Detailed Diagram of Tub Back Wall Components". Examine boxes and packages for shipping damage. If the unit has been damaged, has a finishing defect, or has missing parts, please contact our customer support department within 3 business days of the delivery date. Please note that **DreamLine™ will not replace any damaged products or missing parts free of charge after 3 business days or if the product has been installed.** Feel free to contact DreamLine™ if you have any questions.
2. **Please note that you should consult your local building codes with questions on installation compliance standards. Building and plumbing codes may vary by location, and DreamLine is not responsible for code compliance standards for your project.**
3. This acrylic wall system is specially designed to be installed over any solid surface. If you are installing the acrylic walls over the existing tiles, remove all loose tiles before the installation. If you are installing over the existing painted walls, take all loose paint off. Please, note that some cutting and drilling might be necessary during the installation process.
4. Make sure to turn off the water supply, remove faucet, handles or any fixture trims protruding from the wall. Clean the surface removing soap film and dirt from all wall surfaces using regular household detergent, then wipe it dry.

## Tools Required



## Detailed Diagram of Tub Back Wall Components



### Packing List

01	Side panel	2pcs	06	Wall anchor	21pcs
02	Back panel	2pcs	07	Countersunk screw ST4.2×30	21pcs
03	Decorative edge molding	2pcs	08	Decorative cover	15pcs
04	Corner cover	2pcs	09	Glass shelf	2pcs
05	Wall cover	1pc	10	Shelf bracket	6pcs

**NOTE:** Unpack your unit carefully and inspect it. Lay it out and identify all parts using the detailed diagram and packing list in your manual as a reference. Before discarding the carton, check for small hardware bags that tend to fall to the bottom of the box. If any parts are damaged or missing, please contact DreamLine™ for replacement.

## Back Panel Installation Instruction

1. Measure the distance of the back wall of the tub (corner to corner)  
The distance is "**W**"

See Fig. 1 for details.

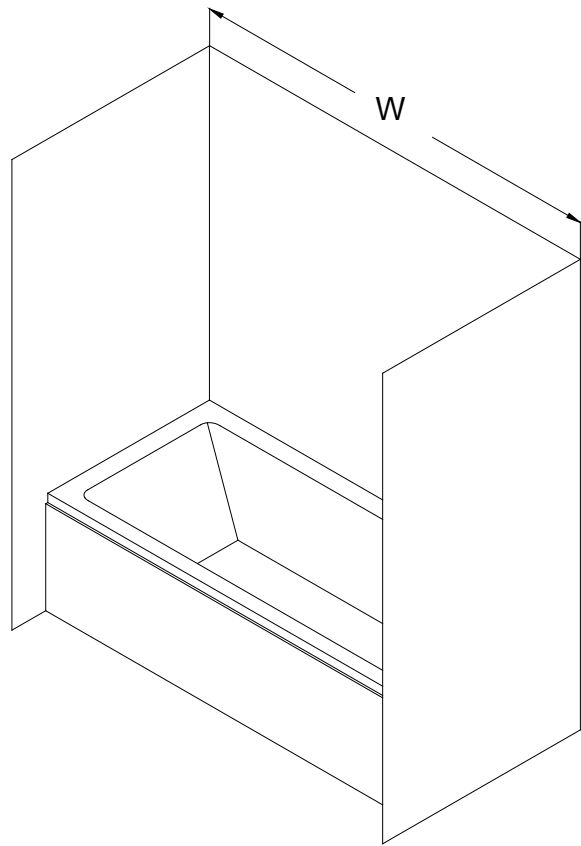


Fig. 1

2. Divide the **W** measurement by **2** (**W/2**). Place a mark on the back wall and draw a vertical line from top to bottom.

See Fig. 2 for details.

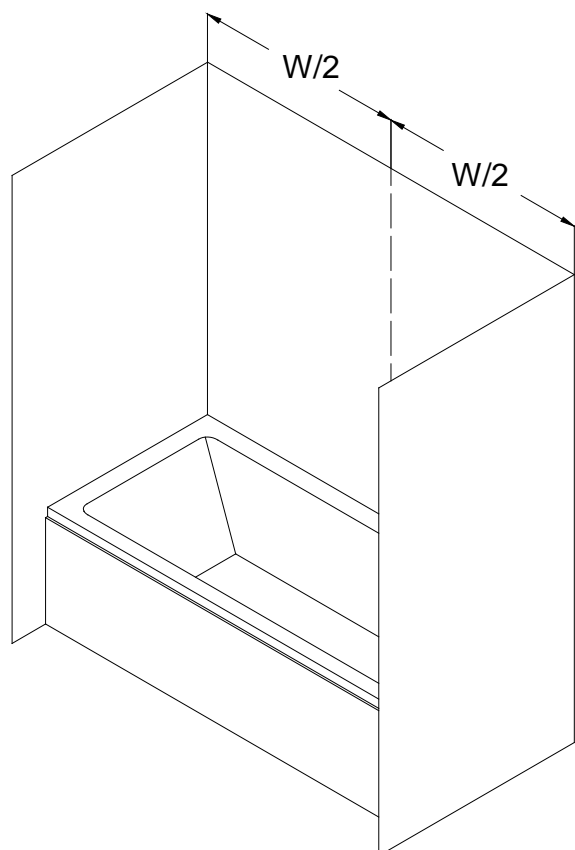


Fig. 2

3. Measure the side walls from the corner to the front point where the **Side panel (01)** is going to end. This distance is "**D**".

See Fig. 3 for details.

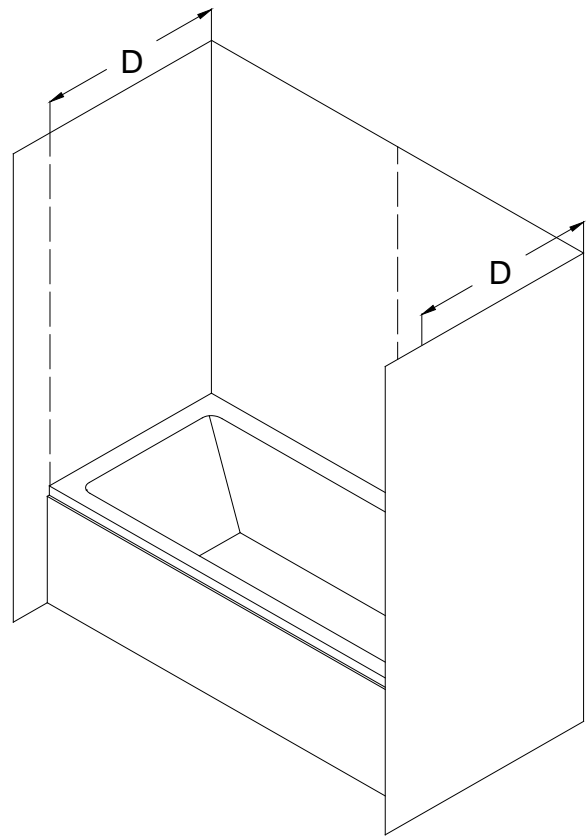


Fig. 3

4. Verify on which side of your tub wall the fixtures will be installed. Place a mark on the side wall (**NB: not the side panel!**) with a distance of **1" (one inch)** from the corner and draw a vertical line from top to bottom.

Take the exact measurements:

- from the fixture to the line: **(A, B, C)**
- from the fixture to the bottom: **(E, F).**

See Fig. 4 and Fig. 5 for details.

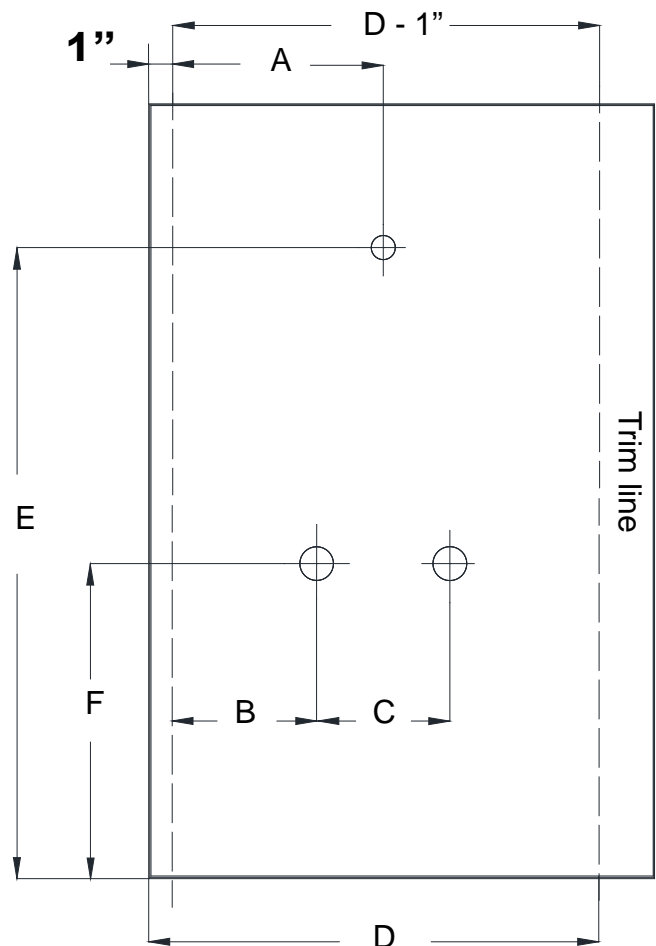


Fig. 4

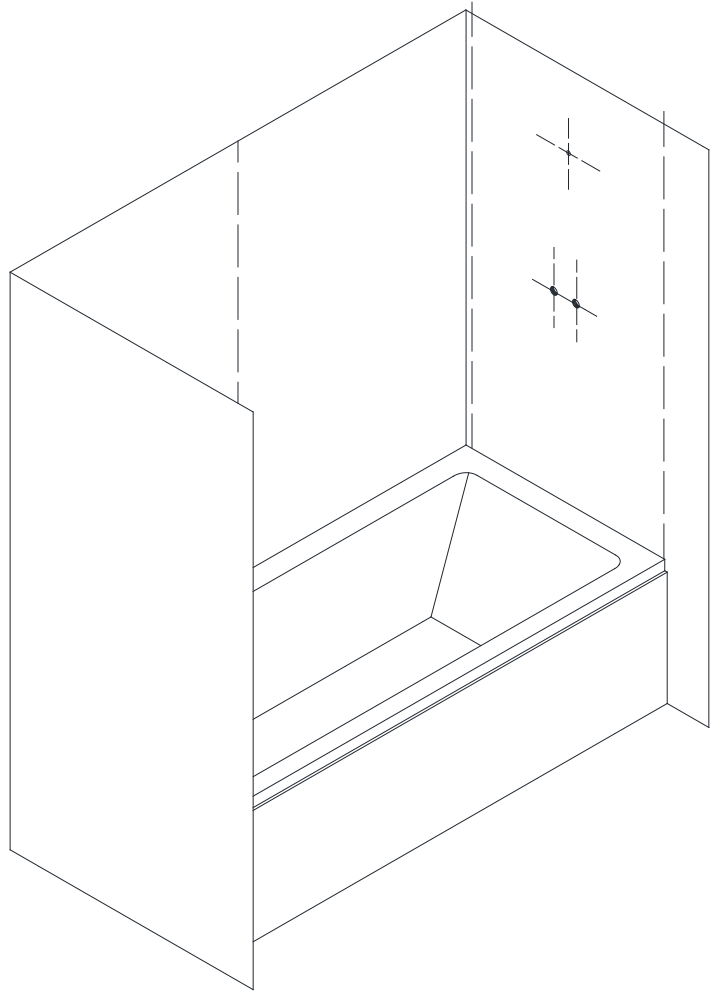


Fig. 5

5. Attach the **Center cover (05)** vertically at the center point along the line and mark the drilling holes through the predrilled holes on the **Center cover**.  
 Drill the holes using **Ø5/16"** drill bit and insert the **Wall Anchors (06)**.

See Fig. 6 and Fig. 7 for details.

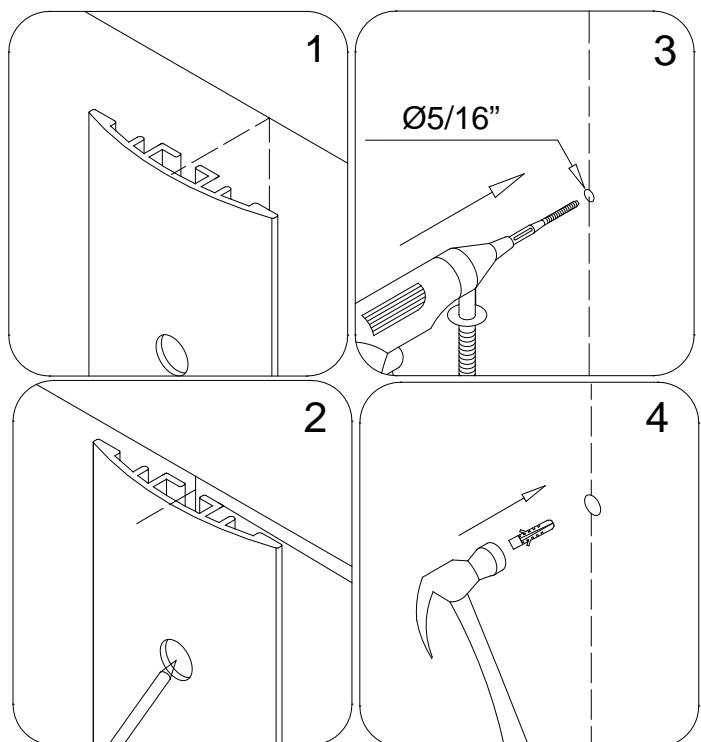


Fig. 6

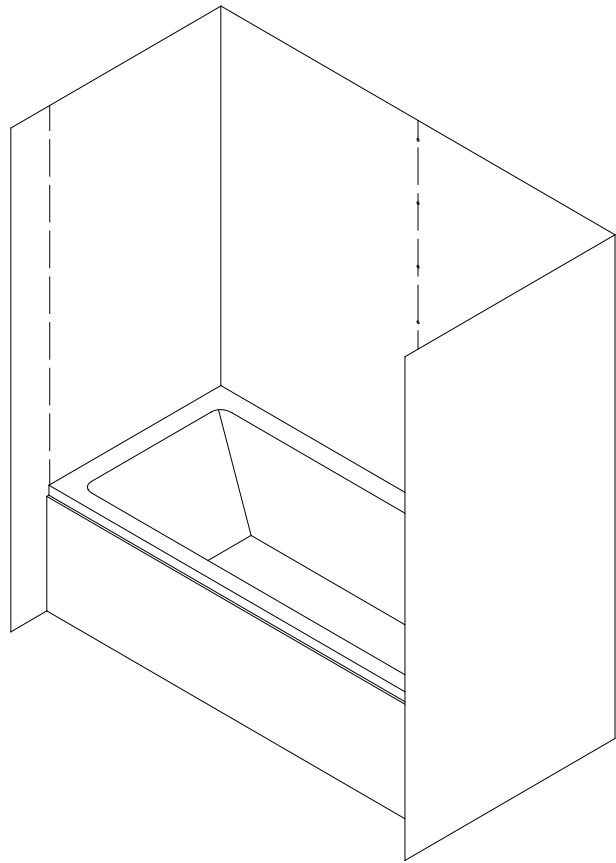


Fig. 7

6. Attach the **Corner cover (04)** to the corner of the wall and mark the drilling holes through the predrilled holes on the **Corner cover**. Drill the holes using  $\text{Ø}5/16''$  drill bit and insert the **Wall Anchors (06)**.

See Fig. 8 and Fig. 9 for details

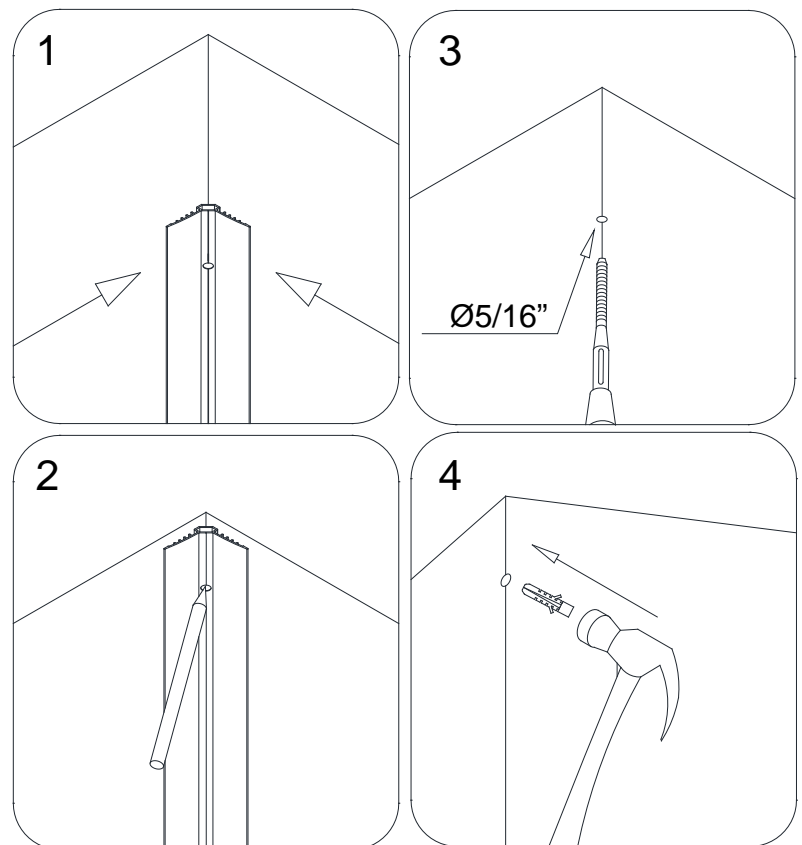


Fig. 8



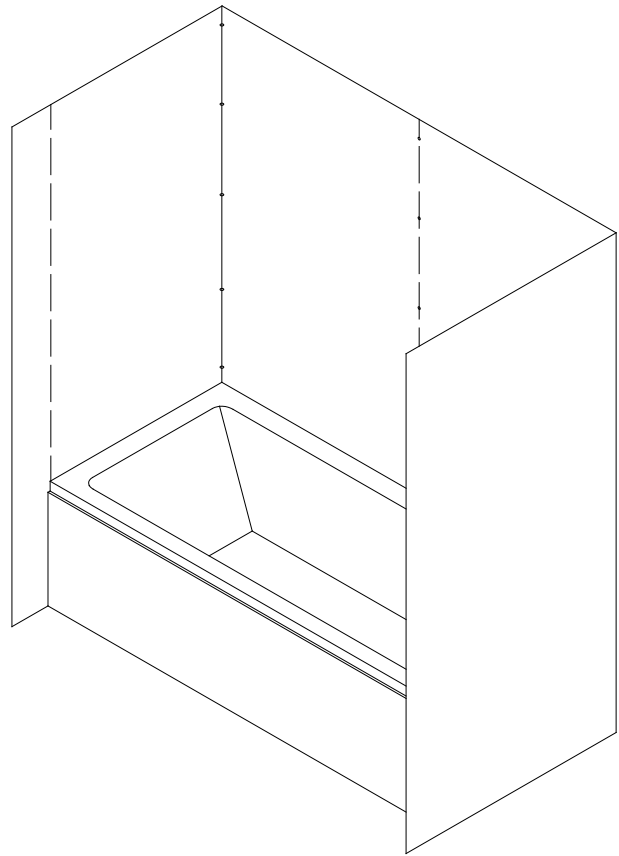


Fig. 9

7. Determine the position of both **Back panels (02)**.

**NOTE:**

- a) Narrow side of the **Back panel** cannot be trimmed and should face the center of the Back wall.
- b) Wide side of the **Back panel** can be trimmed to the size of the wall and should face the corner.

Place a mark on the wide side of the **Back panel** with a distance of **(W/2 - 1")** from the center edge of the **Back panel** to the wide side of the **Back panel** and draw a straight line from top to bottom.

See Fig. 10 for details.

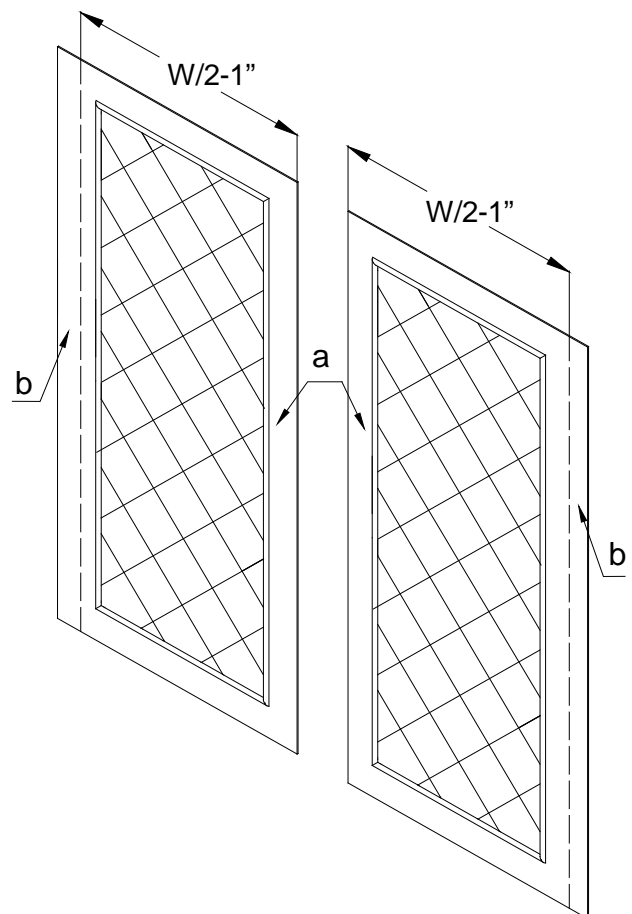


Fig. 10

8. Place the **Back panel (02)** on a flat piece of plywood or a particle board. Cut the side end of the **Back panel** by making a few deep scratches with a sharp industrial knife using a T-Square tool or a handheld jig saw.

See Fig. 11 and Fig. 12 for details.

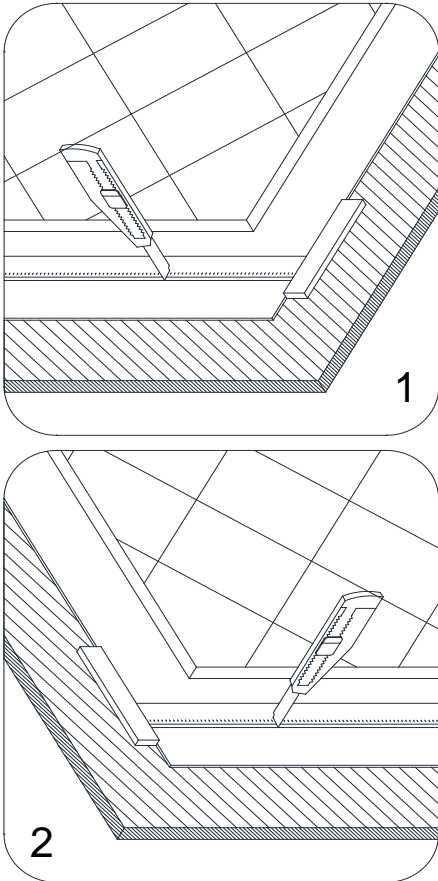


Fig. 11

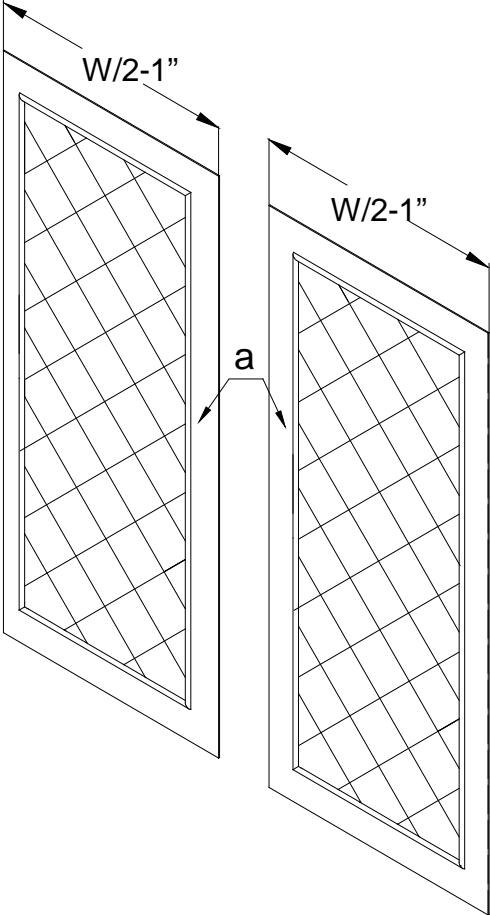


Fig. 12

9. Mount the **Center cover (05)** to the center of the back wall using the **Countersunk screws ST4.2×30 (07)**. Do not tighten the screws. Leave the **Center cover** loose on the wall.

See Fig. 13 for details.

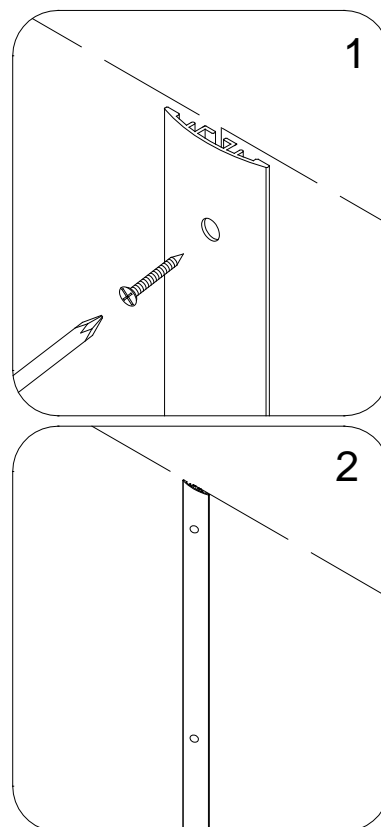


Fig. 13

10. Apply the sealant to the back of the left **Back panel (02)**.

See Fig. 14 for details.

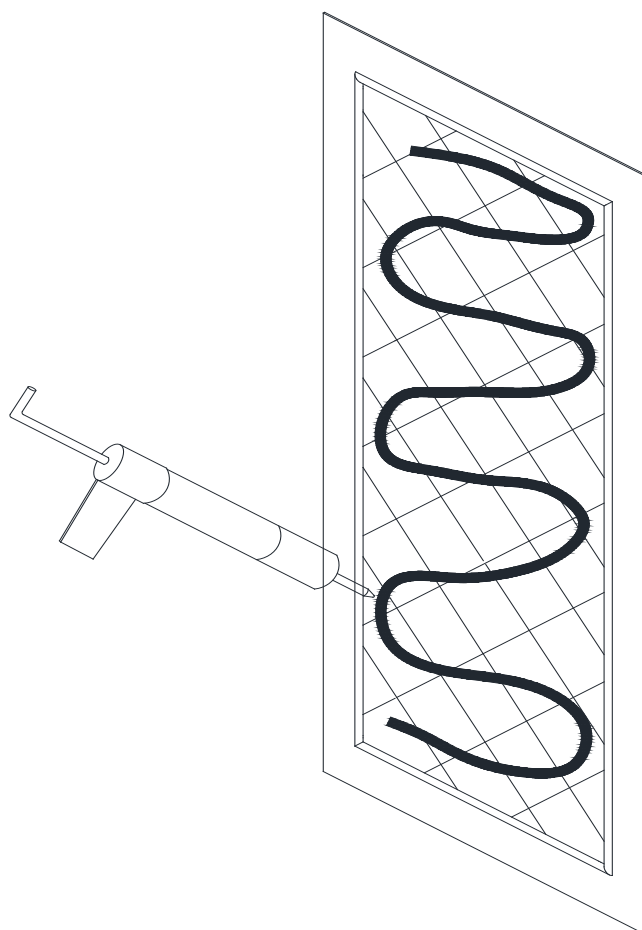


Fig. 14

11. Slide the right edge of the left **Back panel (02)** all the way behind the **Center cover (05)** and push the **Back panel** against the wall.

You can adjust the position of the **Back panel** before the sealant sets.

Apply equal pressure to the whole surface of the **Back panel** from top to bottom.

Fasten the **Corner cover (04)** to the left corner of the back wall using the **Countersunk screws ST4.2×30 (07)**. Do not tighten the screws.

See Fig. 15 for details.

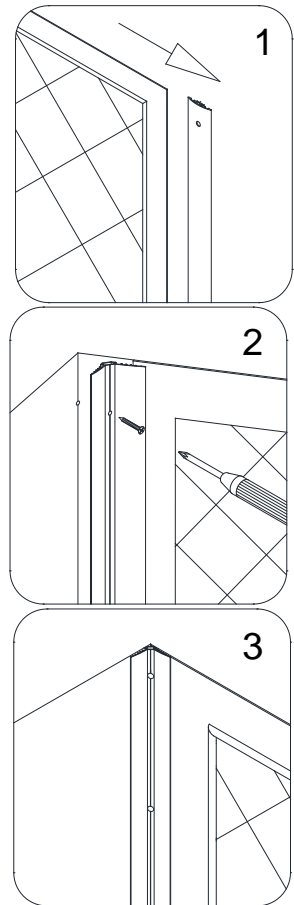


Fig. 15

12. Repeat Step 10 and Step 11 to install the right **Back panel (02)** to the right side of the back wall.

See Fig. 16 for details.

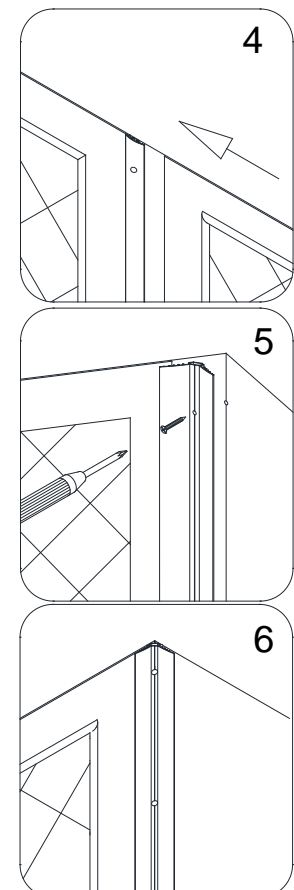


Fig. 16

13. Align both **Back panels** at the top and tighten the screws on the **Center cover (05)** to secure this assembly in place.

See Fig. 17 and Fig. 18 for details.

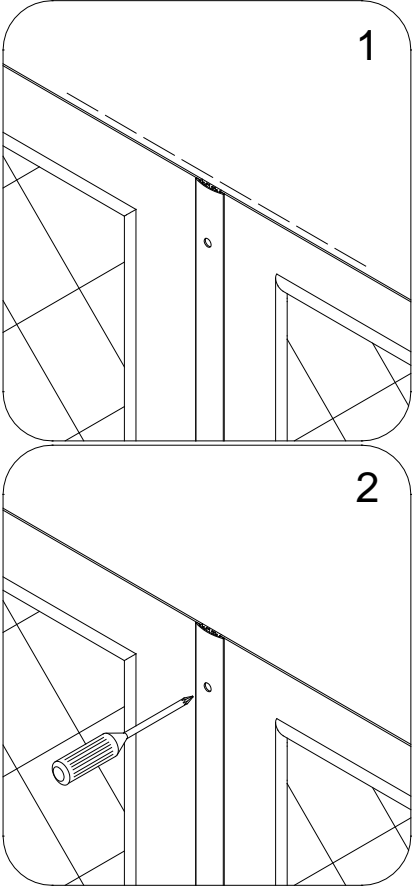


Fig. 17

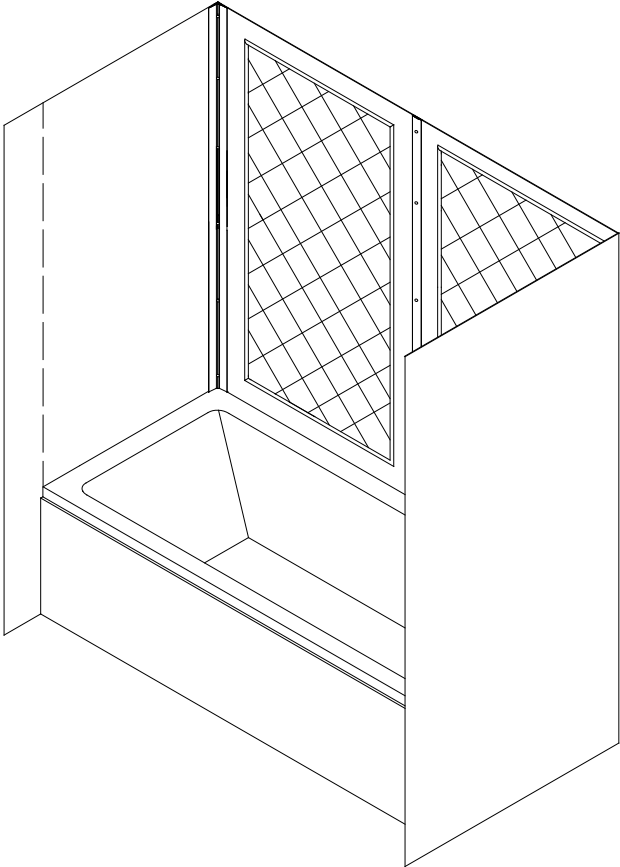


Fig. 18

14. Determine the position of both **Side panels (01)**.

**NOTE:**

- a) Narrow side of the **Side panel** cannot be trimmed and should face the corner of the side wall.
- b) Wide side of the **Side panel** can be trimmed to size of your measurements and should face the front of the tub.

Place a mark on the wide side of the **Side panel** with a distance of **D – 1"** from the corner side of the **Side panel** to the front edge and draw a straight line from top to bottom.

See Fig. 19 for details.

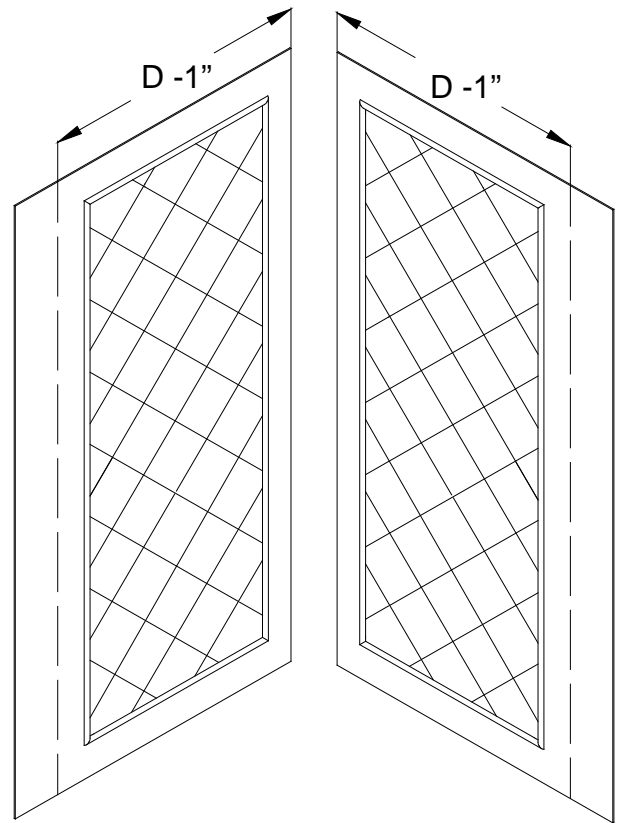


Fig. 19

15. Place the **Side panel (01)** on a flat piece of plywood or a particle board. Cut the side end of the **Side panel** by making a few deep scratches with a sharp industrial knife using a T-Square tool or a handheld jig saw.

See Fig. 20 and Fig. 21 for details.

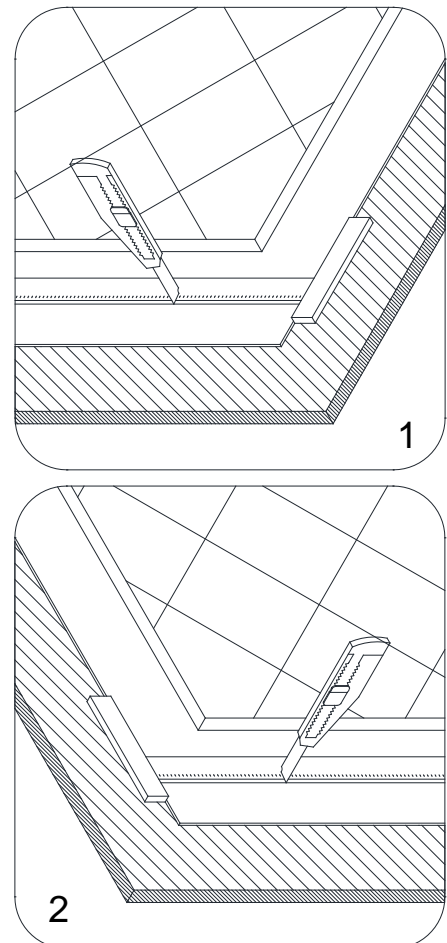


Fig. 20

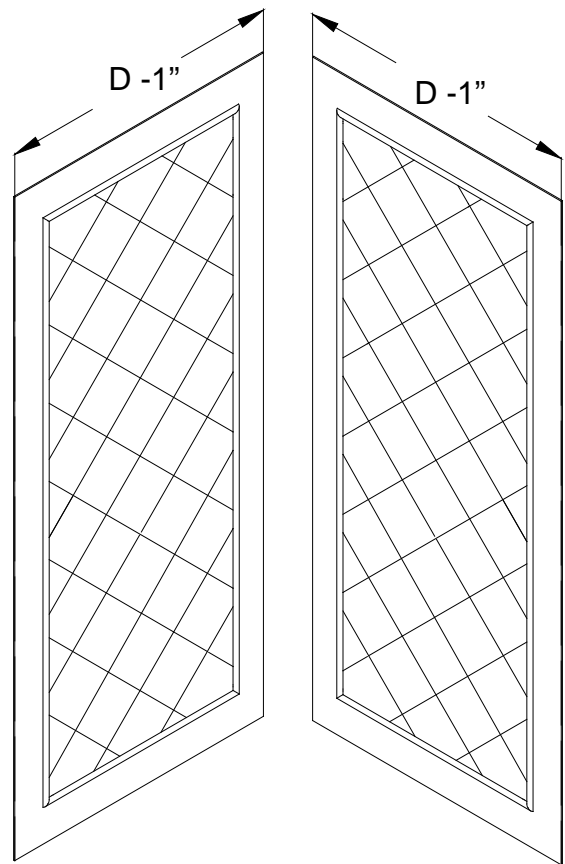


Fig. 21

16. Place the marks on the **Side panel (01)** which is going to the side wall with the fixtures according to the taken measurements in [Fig. 4](#).  
Drill the holes in the **Side panel**. Mind using the proper diameter saw bit or a handheld jig saw.

See Fig. 22 and Fig. 23 for details.

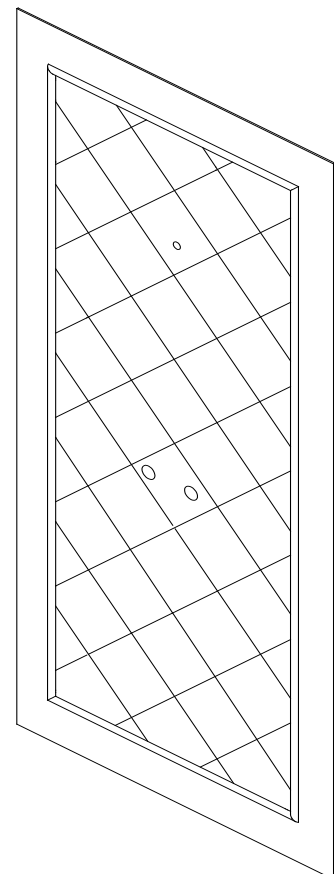


Fig. 22

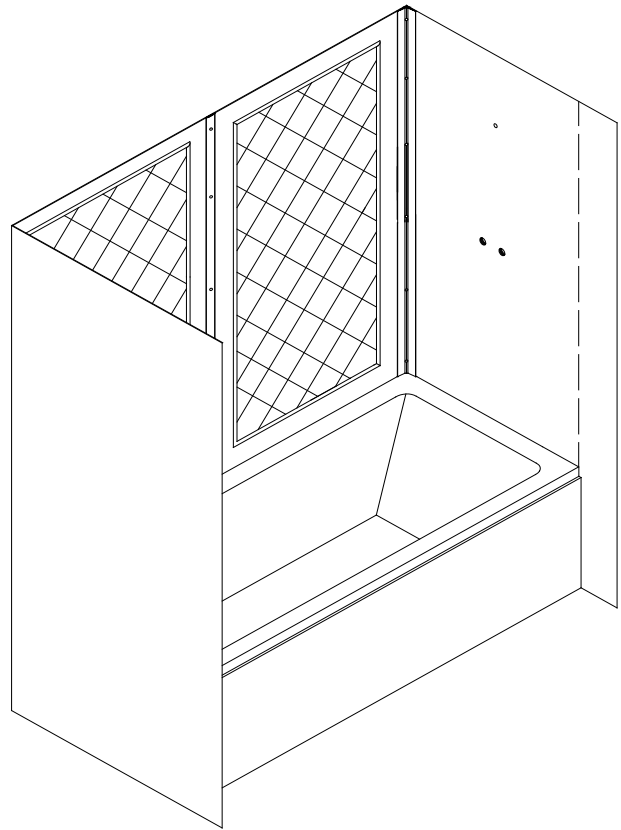


Fig. 23

17. Apply the sealant to the back surface of the **Side panel (01)**.  
Apply the sealant around the drilled holes and to the whole back side of the **Side panel**.

See Fig. 24 for details.

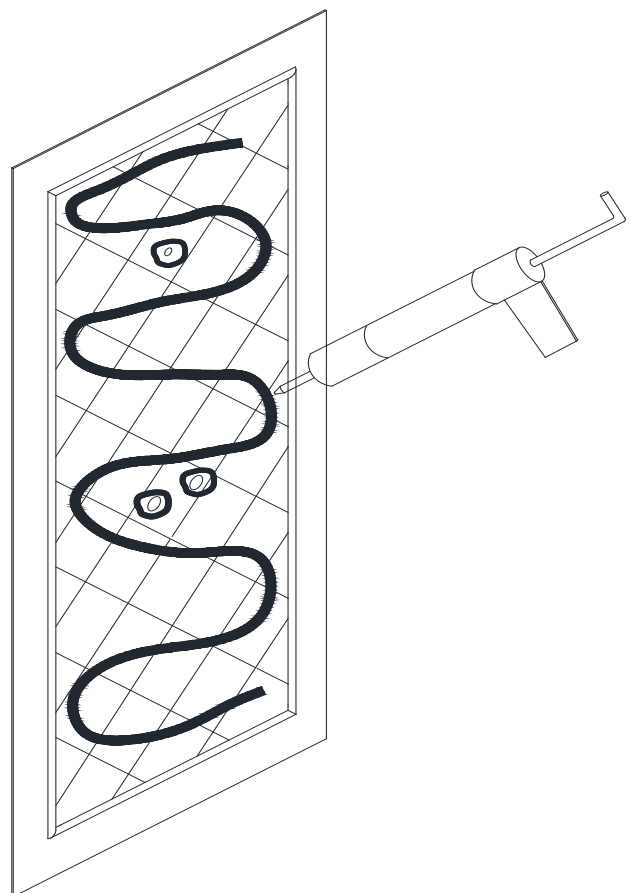


Fig. 24



18. Slide the edge of the **Side panel (01)** all the way behind the **Corner cover (04)** and push the **Side panel** against the wall.

Align the top of the **Side panel** with the **Back panel** before the sealant sets. Apply equal pressure to the whole surface of the **Side panel** from top to bottom.

Peel off the adhesive tape on the back side of the **Decorative edge molding (03)** and attach it to the front edge of the **Side panel**. Apply pressure to the **Decorative edge molding** from top to bottom.

See Fig. 25 for details.

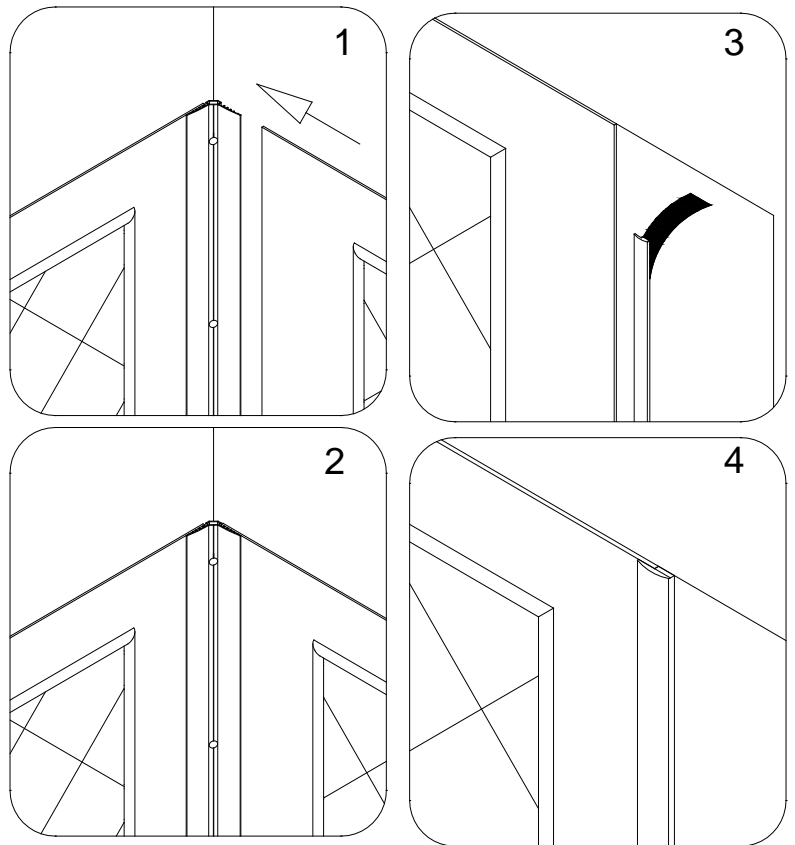


Fig. 25

**NOTICE:**

If you are installing a shower door with the wall profile, you can hide the edge of the **Side panel (01)** behind the wall profile.

See Fig. 26 for details.

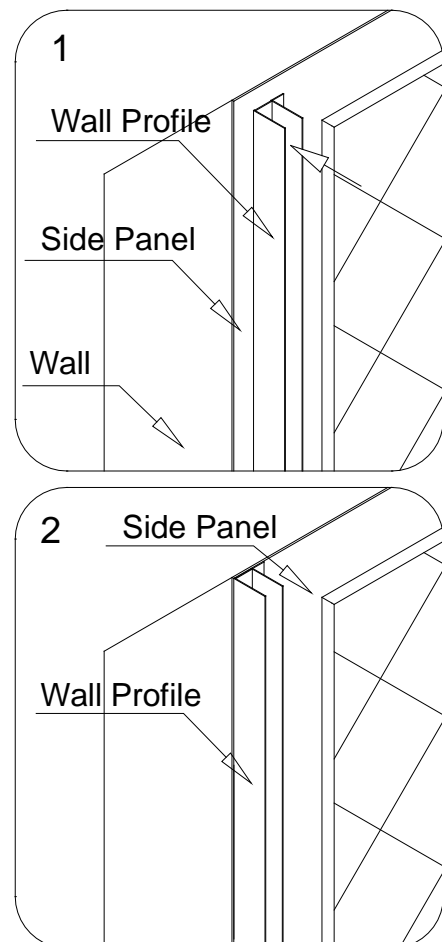


Fig. 26

19. Apply the sealant to the back surface of the **Side panel (01)** for another side wall installation.

See Fig. 27 for details.

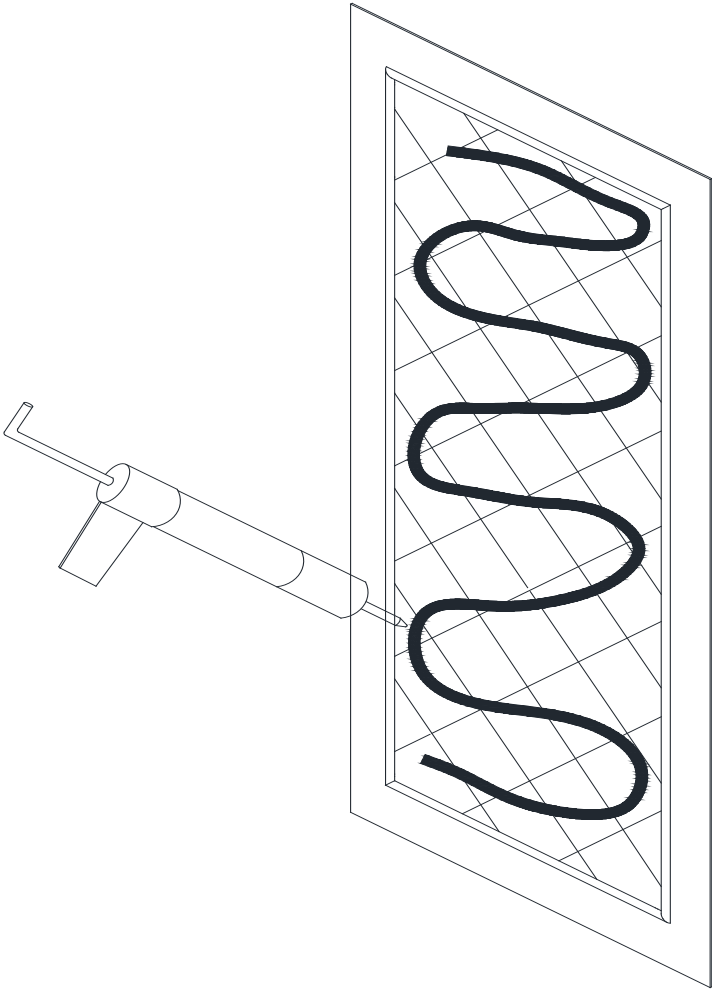


Fig. 27

20. Repeat Step 18 to install the second **Side panel**.

See Fig. 28 and Fig. 29 for details.

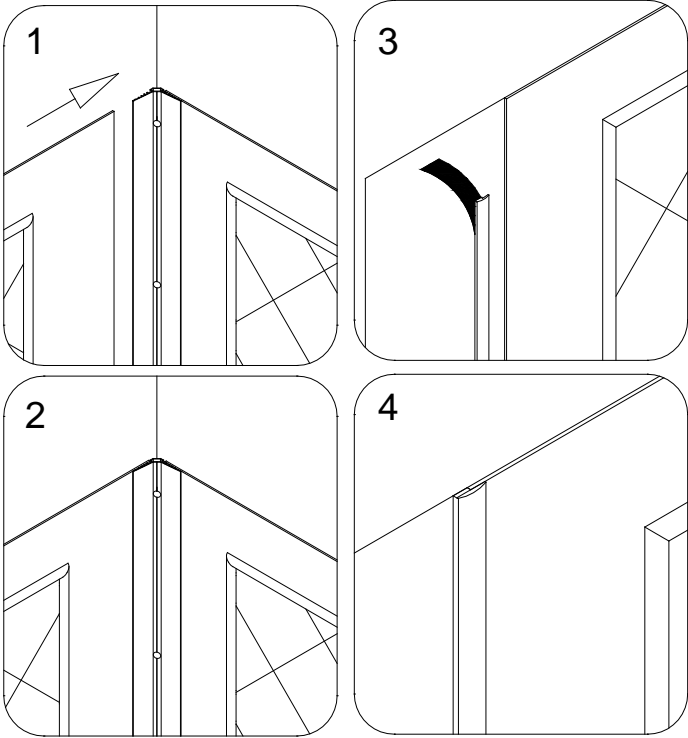


Fig. 28

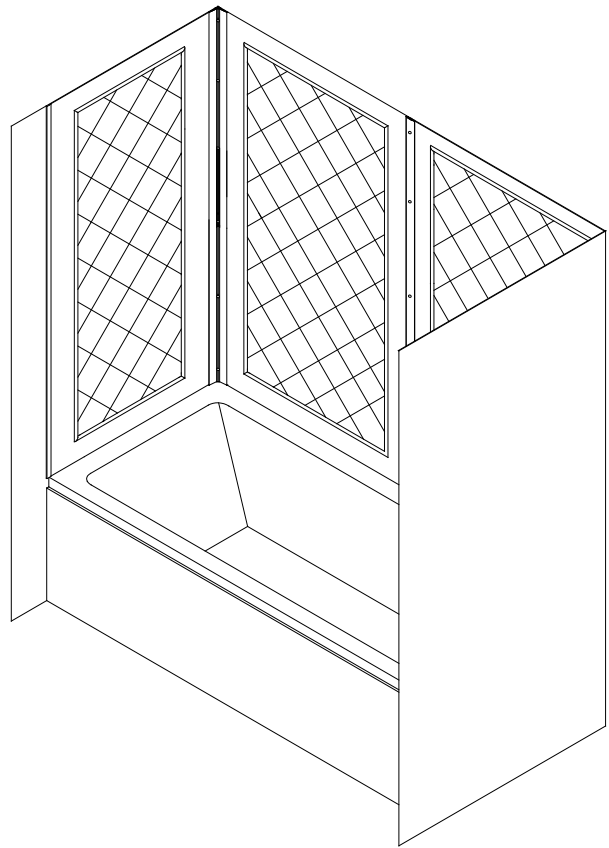


Fig. 29

21. Fasten tight the **Corner covers (04)** and the **Center cover (05)** to secure the **Side panels (01)** and the **Back panels (02)** in place.

See Fig. 28 for details.

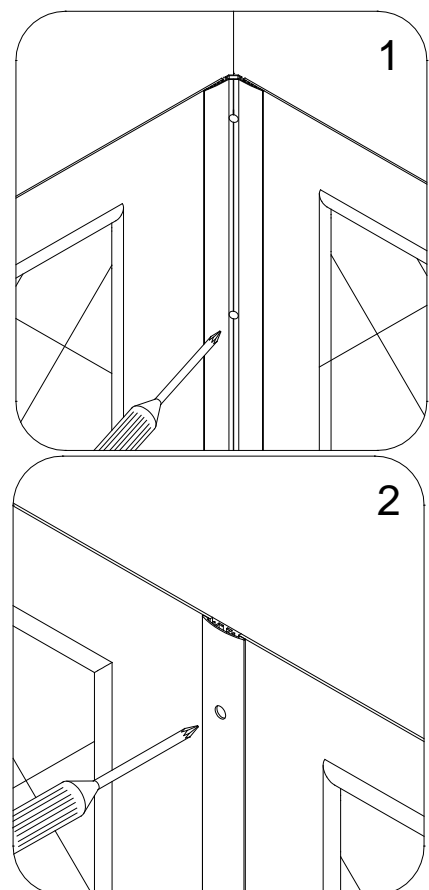


Fig. 28

22. Use decorative plugs to cover the screw holes in the **Corner covers (04)** and the **Center cover (05)**.

See Fig. 29 for details.

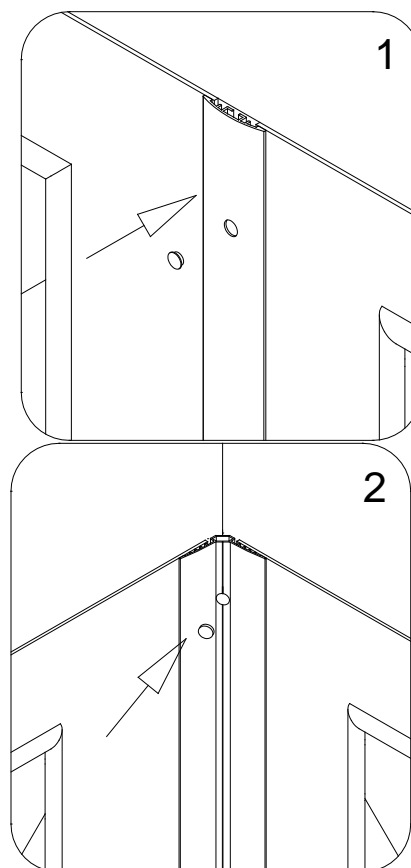


Fig. 29

23. Apply caulk along the top edge of the panels and along the connection of the bottom edges of the panels with the tub.

See Fig. 30 for details.

**ATTENTION:**

Installation of QWALL-Tub is complete.

If you want to install **Glass shelves (09)** to your Tub Wall, follow to the next step.

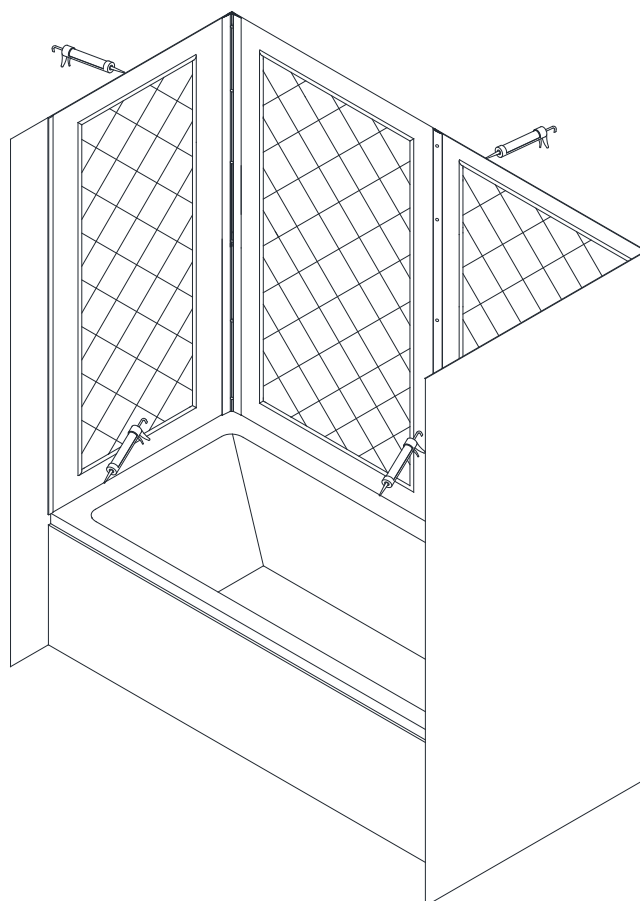


Fig. 30

## Tub Glass Shelves Installation Instruction

24. Find the desirable height for the **Glass shelves (09)** and mark the locations on the wall.

**NOTE:**

The **Glass shelves** can be installed either two in one corner, or one in each.

See Fig. 31 for details.

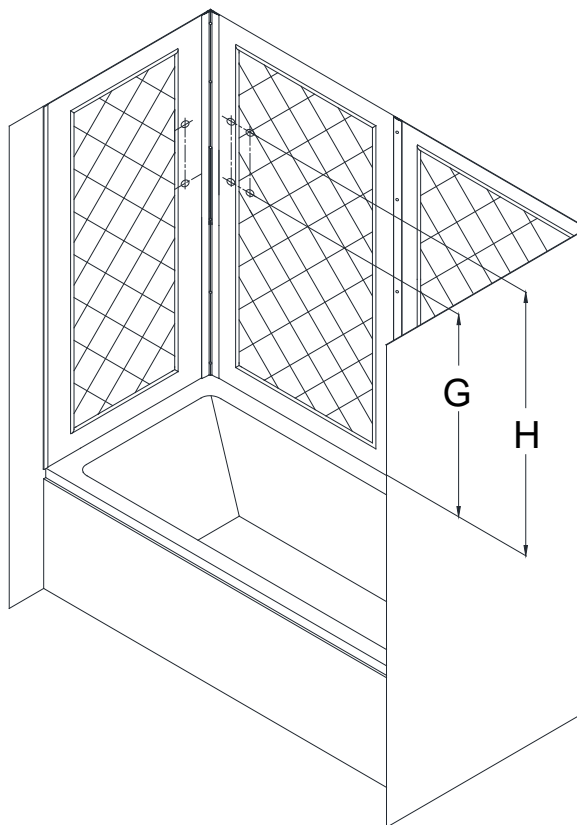


Fig. 31

25. Mark the location for the **Shelf brackets (10)** according to the measurements in Fig. 32.1.

Drill the holes using **Ø5/16"** drill bit and insert the **Wall anchors (06)**.

See Fig. 32 for details.

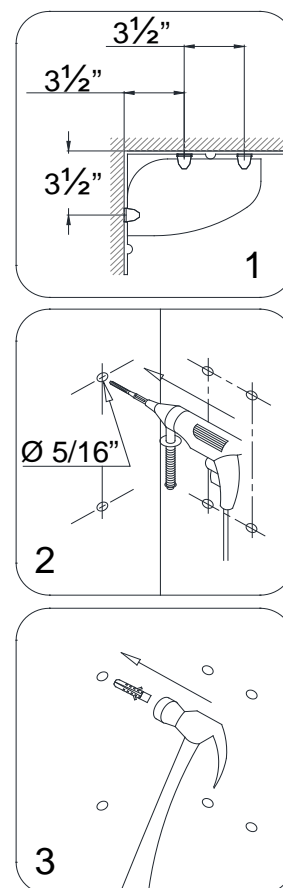


Fig. 32

10. Mount the **Glass brackets (10)** to the wall using the **Countersunk screws ST4.2×30**.

**NOTE:** padded set screw of the Glass bracket should be facing down.

Slide the upper **Glass shelf (09)** into the **Glass brackets** and tighten the set screws at the bottom of the brackets. Then slide the bottom **Glass shelf** in place. Tighten the set screws as well.

See Fig. 33 and Fig. 34 for details.

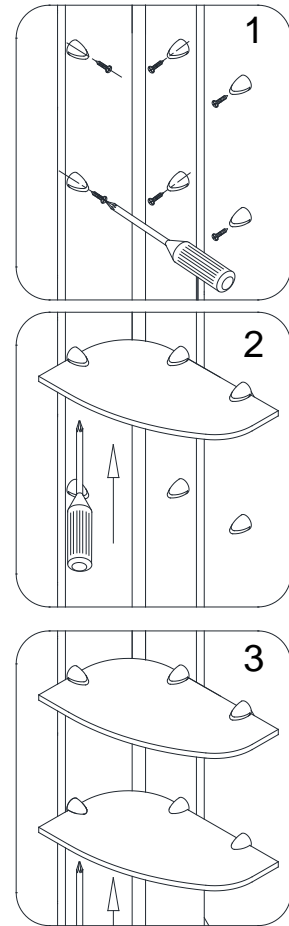


Fig. 33

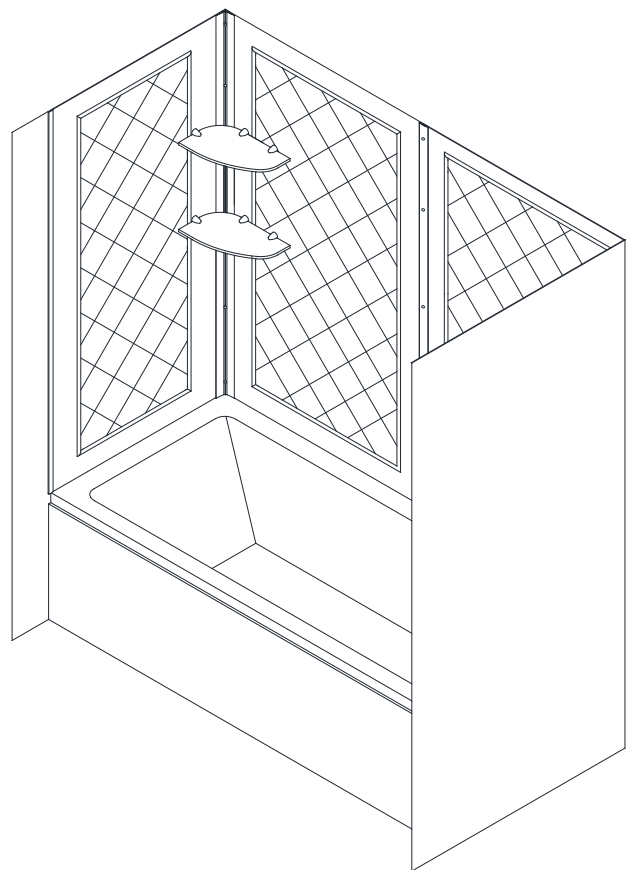


Fig. 34

## **Product maintenance**

To insure long lasting life for your acrylic back walls, wipe them off after each use with a soft cloth. To clean the acrylic back walls use non-abrasive sprays or cream based cleaners. Never use abrasive cleansers, metal brushes or scrapers that could scratch or dull the surface.

### **Acrylic cleaning procedure:**

Acrylic should be cleaned with warm water and a clean, nonabrasive cloth. If desired, a mild, nonabrasive detergent may also be used. Use only light pressure when cleaning. Avoid rubbing dirt or grit into the surface. Turn the cloth often and replace with a clean cloth frequently. Dry by blotting gently with a clean, dry cloth.

### **DO NOT USE:**

Window cleaning sprays, alcohol, kitchen abrasive compounds, or solvents (such as acetone, gasoline, or thinners). Do not use ammonia based cleaning solutions on the acrylic as it will eat into the surface and cause it to damage.

### **How do you get scratches out of Acrylic?**

For light scratches, use a buffing compound such as a car wax. Use the buffer or slightly buff the surface by hands until scratches disappear.



**This is Bath Authority LLC's ("DreamLine") exclusive written warranty effective April 1, 2011**

This warranty extends only to the original owner/end-user for household use only and is not transferable to a subsequent owner. This warranty applies only to DreamLine™ products purchased from an authorized dealer and installed in United States or Canada. Proof of purchase (original sales receipt) must be provided with all warranty claims. **In no event shall the liability of DreamLine™ exceed the purchase price of the unit.**

If DreamLine™ shower doors, shower enclosures and shower bases are used commercially, DreamLine™ warrants such products to be free from defects in material and workmanship for one (1) year from initial date of purchase from an authorized dealer, with all other terms of this warranty applying except duration. If DreamLine™ vanities, vessel sinks and shower columns are used commercially, DreamLine™ warrants such products to be free from defects in material and workmanship for three (3) months from initial date of purchase from an authorized dealer, with all other terms of this warranty applying except duration. **DreamLine™ Jetted and Steam Shower Cabins are not intended for commercial use and there is no warranty extended for these products for commercial use.** DreamLine™ is not responsible for loss of use or profit under any circumstances.

DreamLine™ hereby disclaims all warranties for products sold as a dealer or store displays. DreamLine™ hereby disclaims all warranties for products used outside of the United States or Canada whether expressed or implied, including but not limited to the implied warranties of merchantability and fitness for a particular purpose.

DreamLine™ will, at its election, repair, replace with product of equal value or make appropriate adjustment where DreamLine's analysis or inspection of warranty claim discloses any such defects occurring in normal usage within the warranty period. DreamLine warranty obligation shall be discharged upon tender of replacement or repair. Purchaser's refusal to accept the tender terminates warranty obligation.

Cost of freight for returning products to DreamLine™ for repairs or replacement under this limited warranty are the responsibility of the customer. Cost of freight associated with shipping of replacement product or parts to the customer may be charged to customer. Any product replaced or repaired during the warranty period will be covered only for the remaining period of the original warranty. In no event will DreamLine be liable for costs of repair or replacement of any installation material, including but not limited to tiles, marble, etc. **DreamLine™ is not responsible for installation, removal or reinstallation costs of any product requiring warranty services.**

Improper modification or alterations of any DreamLine™ products will void the warranty. Any DreamLine products repairs must be performed by either a DreamLine authorized agent or a licensed experienced professional contractor. This warranty shall not apply to breakage or damages caused by normal wear and tear, fault, carelessness, abuse, misuse, misapplication, improper maintenance, alteration or modification of the unit, as well as chemical or natural corrosion, accident, fire, flood, act of God or any other casualty. Improper care and cleaning will void the warranty. Never use cleaners containing abrasive cleansers, ammonia, bleach, acids, waxes, alcohol, solvents or other products not recommended for chrome or similar finish, glass or acrylic. This will void the warranty. For additional product maintenance instructions please refer to product installation manuals. The warranty does not extend to any non-DreamLine™ plumbing or components installed by installers, end users or by any party other than DreamLine™.

**THE FOREGOING WARRANTIES ARE IN LIEU OF ALL OTHER WARRANTIES, EXPRESSED OR IMPLIED, INCLUDING BUT NOT LIMITED TO THE IMPLIED WARRANTIES OF MERCHANTABILITY AND FITNESS FOR A PARTICULAR PURPOSE. BATH AUTHORITY LLC ("DREAMLINE") AND/OR SELLER DISCLAIM ALL LIABILITY FOR SPECIAL, INCIDENTAL OR CONSEQUENTIAL DAMAGES. DREAMLINE™ IS NOT LIABLE FOR PERSONAL INJURIES OR DEATH TO ANY PERSON OR FOR ANY DIRECT, SPECIAL, INCIDENTAL OR CONSEQUENTIAL DAMAGE, LOSS OF USE, LOSS OF TIME, LOSS OF PROFITS, INCONVENIENCE, INCIDENTAL EXPENSES, LABOR OR MATERIAL CHARGES, OR ANY OTHER COSTS RESULTING FROM THE USE OF ITS PRODUCTS OR PERTAINING TO THE APPLICATION OF THE PRESENT WARRANTY, OR RESULTING FROM THE REMOVAL OR REPLACEMENT OF ANY PRODUCT OR ELEMENT OR PART COVERED BY THIS WARRANTY.**

DreamLine™ is not responsible for product code compliance or for verifying code restrictions on installation or use and any such compliance is excluded from this warranty. DreamLine™ reserves the right to modify this warranty at any time - such warranty modification will not alter warranty applicable at the time of sale of the products in question. The warranty terms for specific products are:

**SHOWER DOORS, SHOWER ENCLOSURES AND SHOWER BASES**

DreamLine™ warrants shower doors, shower enclosures and shower bases to be free from defects in workmanship and materials under normal residential use for a period of five (5) years from the initial date of purchase by the owner/end-user, contractor or builder from an authorized dealer.

**SHOWER CABINS (JETTED & STEAM)**

DreamLine™ warrants glass, acrylic and finish to be free from defects in workmanship for a period of five (5) years from initial date of purchase by the owner/end-user, contractor or builder from an authorized dealer; and plumbing, electrical and steam generator components for a period of one (1) year from the initial date of purchase by the owner/end-user, contractor or builder from an authorized dealer.

**SHOWER COLUMNS**

DreamLine™ warrants shower columns to be free from defects in workmanship and materials under normal residential use for a period of one (1) year from the initial date of purchase by the owner/end-user, contractor or builder from an authorized dealer.

**VANITIES AND VESSEL SINKS**

DreamLine™ warrants bathroom vanities and vessel sinks to be free from defects in workmanship and materials under normal residential use for a period of one (1) year from the initial date of purchase by the owner/end-user, contractor or builder from an authorized dealer.

Some states/provinces do not allow limitations on how long an implied warranty lasts, or the exclusion or limitation of special, incidental or consequential damages, so these limitations and exclusions may not apply to you. This warranty gives you specific legal rights. You may also have other rights, which vary from state/province to state/province.





TEL: 866-731-8378 – 215-957-1411

FAX: 866-227-9245 – 215-893-1780

[www.BATHAUTHORITY.COM](http://www.BATHAUTHORITY.COM)

For more information on [DreamLine™ Tub Back Wall](http://www.BathAuthority.com) please visit [www.BathAuthority.com](http://www.BathAuthority.com)