



# BUTTERFLY

## TUB DOOR INSTALLATION INSTRUCTIONS

### IMPORTANT

**DreamLine®** reserves the right to alter, modify or redesign products at any time without prior notice. For the latest up-to-date technical drawings, manuals, warranty information or additional details please refer to your model's web page at **Dreamline.com**



*Left-hand installation shown*

**Model # SHDR-4558581**

**Please read these instructions carefully before installing. If you have any questions regarding installation, please contact our technical support specialists Monday through Friday 8:00 AM – 7:00 PM EST at Phone: [1-866-731-2244](tel:1-866-731-2244), Fax: [1-866-857-3638](tel:1-866-857-3638) or e-mail our technical support group at [Support@DreamLine.com](mailto:Support@DreamLine.com)**

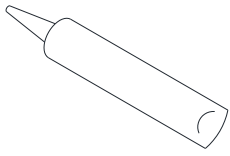
**For more information about DreamLine® products please visit [DreamLine.com](http://DreamLine.com)**

## **Preparation**

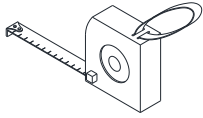
1. Prior to installation, examine all boxes and packages for shipping damage and compare the piece count with your packing slip. After opening all boxes and packages read this introduction carefully. Check that all of the needed parts are included in the package by checking off the components on the "Detailed Diagram of Shower Door Components". If the unit has been damaged, has a finishing defect, or has missing parts, please contact our customer support department within **3 business days** of the delivery date. Please note that **DreamLine® will not replace any damaged products or missing parts free of charge after 3 business days or if the product has been installed.** Please contact DreamLine® if you have any questions and please provide an order number, job name or other proof of purchase to help identify the original order.
2. **Please note that you should consult your local building codes with questions about installation compliance standards. Building and plumbing codes may vary by location, and DreamLine® is not responsible for code compliance standards for your project and will not accept any returns.**
3. If this unit is going to be installed in a new construction, install all of the required plumbing and drainage before installing the shower. **Use a competent and licensed (if required by local code) plumber for all plumbing installation.**
4. Please make sure that prior to beginning the installation, the surfaces are leveled and solid and will be able to support the total weight of the unit. Also make sure the walls are at right angles. Irregular installation surface level, radius corners or improper angle of side walls will result in serious problems for your installation. Please note that some adjustments and drilling may be necessary during the installation process.
5. Please protect all primary surfaces of the product during installation. Never set your glass down directly onto a tile floor. Leave corner protectors in place until necessary to remove them. Always use a piece of wood or cardboard to protect the bottom edge and corners of the glass prior to and during installation.
6. This unit must be installed upon a finished threshold and against finished walls.
7. This model requires a minimum of **1"** of flat threshold space for installation.
8. This model comes with asymmetrical-sized door glass. The narrower glass should be installed on the shower head side to provide clearance for the shower controls. This model is reversible for left or right-hand installation. The left-hand orientation of the narrower panel installation is shown as an example throughout the manual. For right-hand installation, simply flip the door over and install the assembly into the opening with the narrower panels on the right side of the opening. See step #17 for details.

**NOTE: This door has 3/4" width or out-of-plumb adjustment per wall profile on each side.**

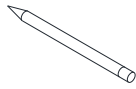
## Tools Required



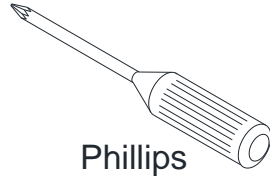
Caulk



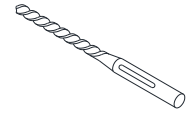
Tape Measure



Pencil



Phillips Screwdriver



Drill bit (Ø=5/16")



Drill bit (Ø=1/8")



Level



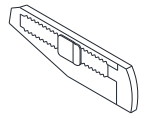
Caulk Gun



Electric Drill

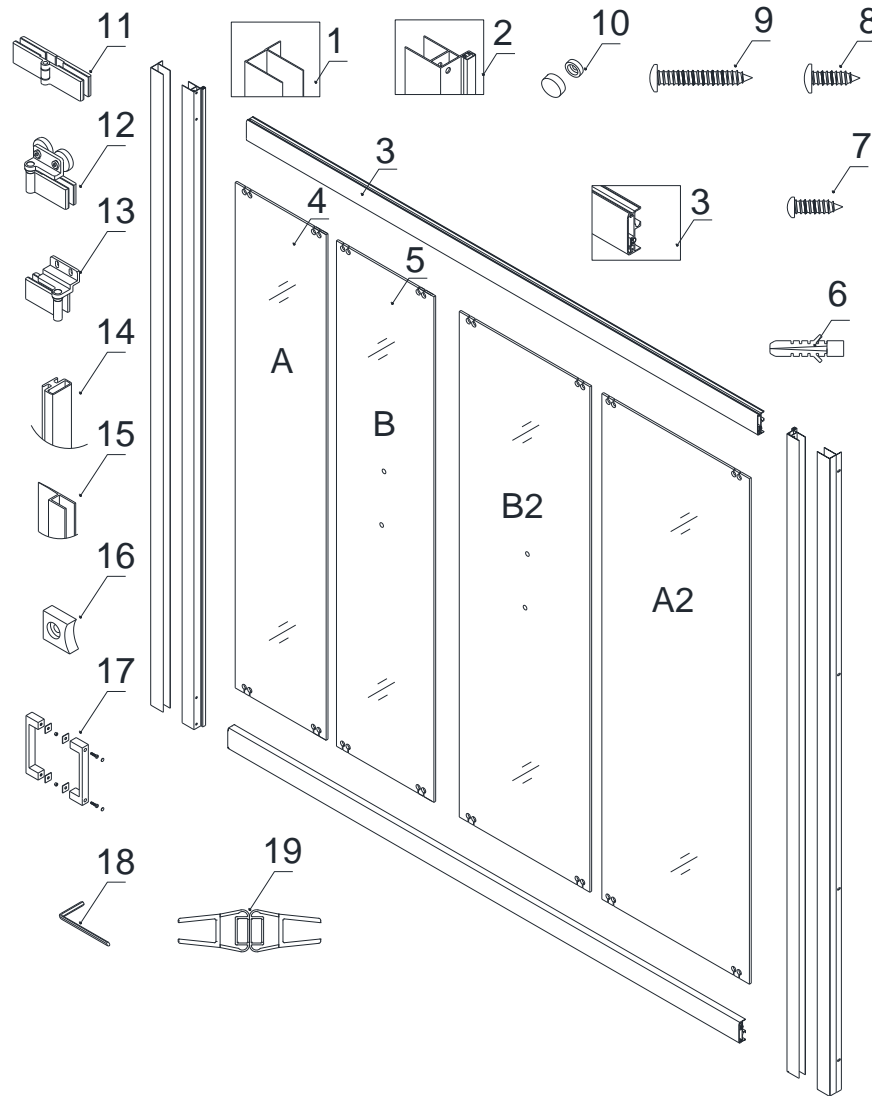


Hammer



Knife

## Detailed Diagram of Shower Door Components



### Packing List

01	Wall profile	2 pcs	11	Middle hinge	4 pcs
02	Glass profile	2 pcs	12	Roller hinge (top & bottom)	2 sets
03	Guide rail	2 pcs	13	Hinge (top & bottom)	2 sets
04	Glass door A/A2	2 pcs	14	Seal strip (pre-installed on part # 3)	2 pcs
05	Glass door B/B2	2 pcs	15	Side anti-water strip	2 pcs
06	Wall anchor	8 pcs	16	Roller stopper	4 pcs
07	Pan head screw ST4.2×10	4 pcs	17	Handle	2 sets
08	Truss head screw ST4.2×12	8 pcs	18	Hex wrench(3mm/4mm)	1 set
09	Truss head screw ST4.2×40	16 pcs	19	Magnetic strip	2 pcs
10	Decorative cover and washer	4 sets			

**NOTE:** Unpack your unit carefully and inspect it. Identify all parts using the detailed diagram and packing list in this manual as a reference. Before discarding the carton, check for small hardware bags that may have fallen to the bottom of the box. If any parts are damaged or missing, please contact **DreamLine®** for replacement. The shipping boxes may contain extra parts not used in your model configuration. **NOTE:** Retain these installation instructions for future reference.

## Shower Door Assembly

1. Place the **Glass door A (#04)** and the **Glass door B (#05)** on a flat surface. The distance from the glass edge to the paired holes on both sides of the glass doors are different. The side of each **Glass door** where the paired holes are closer to the edge should be facing each other.

See Fig. 1 for details.

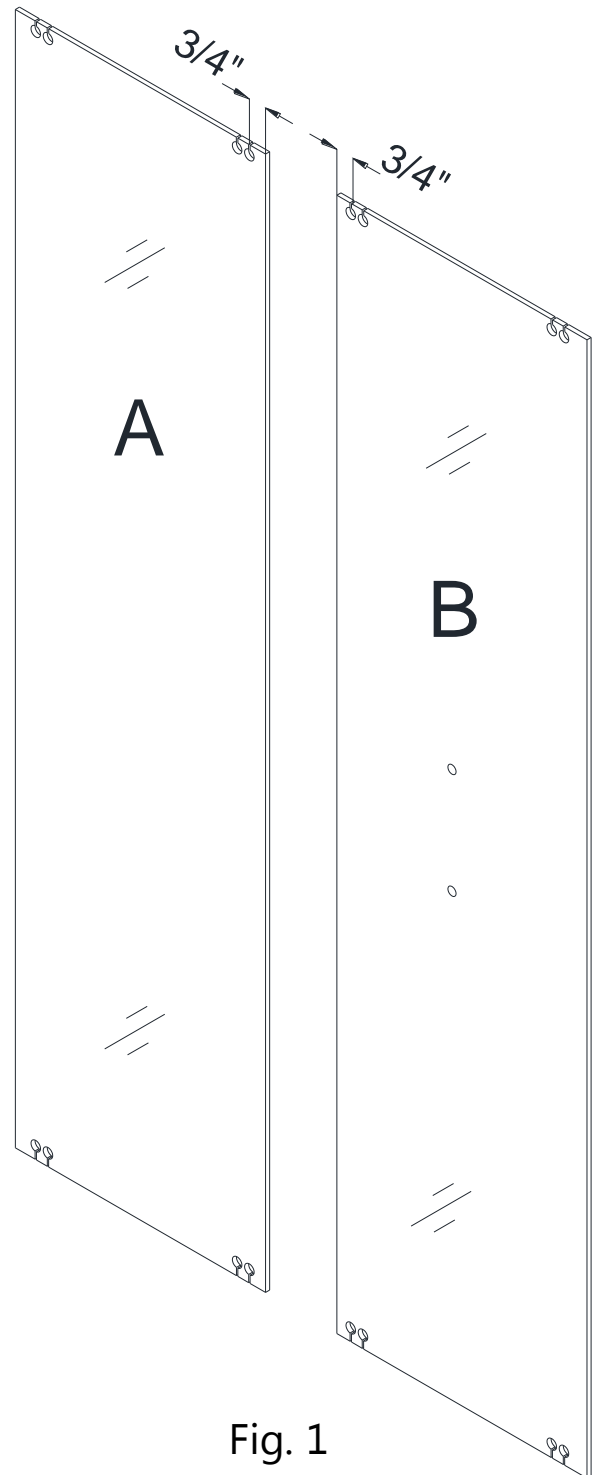


Fig. 1

- Attach the top and the bottom **Hinges (#13)** to the left edge of the **Glass door A (#04)**. Mind the position of the **Hinges** on the glass.

See Fig. 2 and Fig. 5 for details.

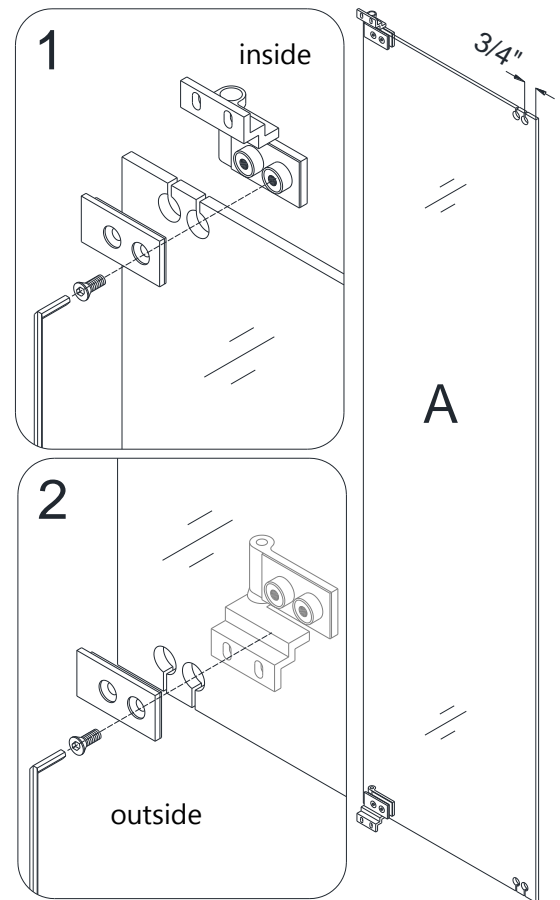


Fig. 2

- Attach the top and the bottom **Roller hinges (#12)** to the right edge of the **Glass door B (#05)**. Mind the position of the **Roller hinges** on the glass.

See Fig. 3 and Fig. 5 for details.

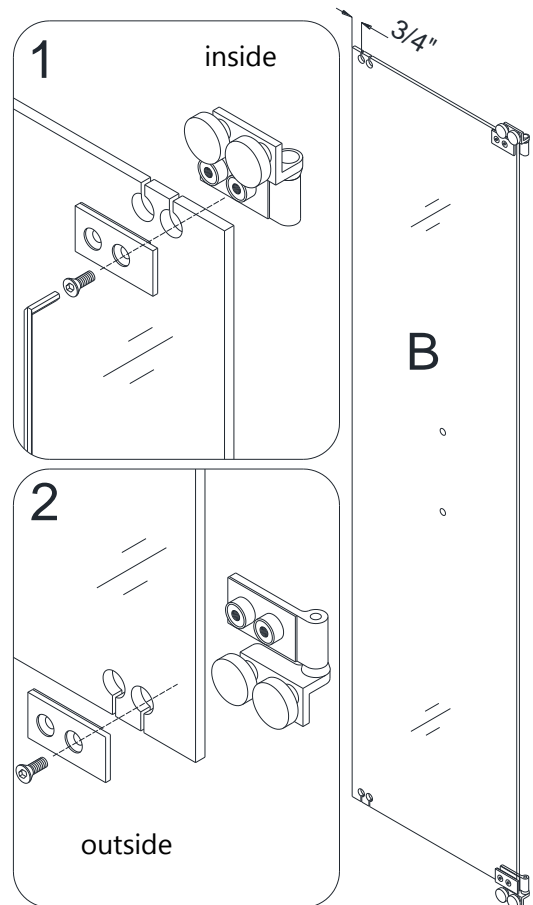


Fig. 3

4. Connect the **Glass door A (#04)** to the **Glass door B (#05)** using the **Middle hinges (#11)**. Mind the position of the **Middle hinges (#11)** on the glass.

See Fig. 4 and Fig. 5 for details.

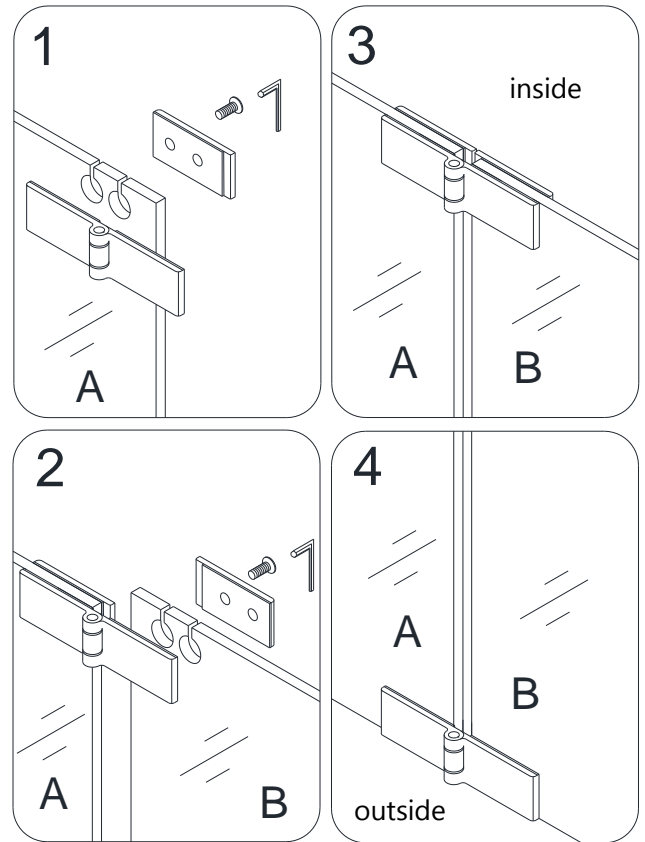


Fig. 4

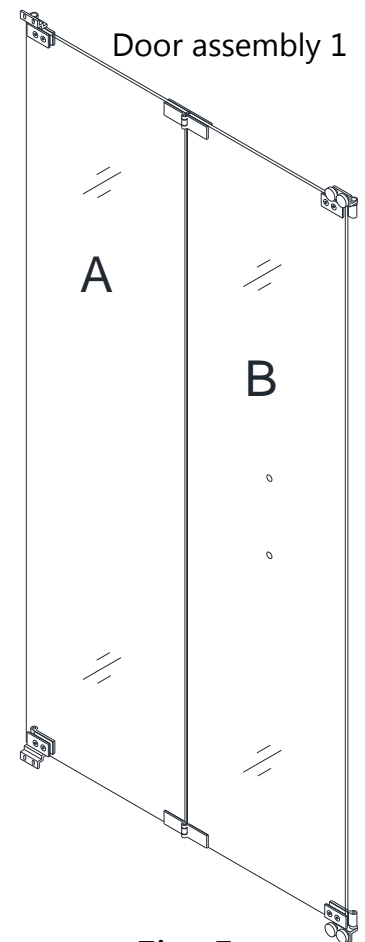


Fig. 5

- Place the other **Glass door B2 (#05)** and the other **Glass door A2 (#04)** on a flat surface. The distances from the glass edge to the paired holes on both sides of the **Glass door** are different. The side of each **Glass door** where the paired holes are closer to the edge should be facing each other.

See Fig. 6 for details.

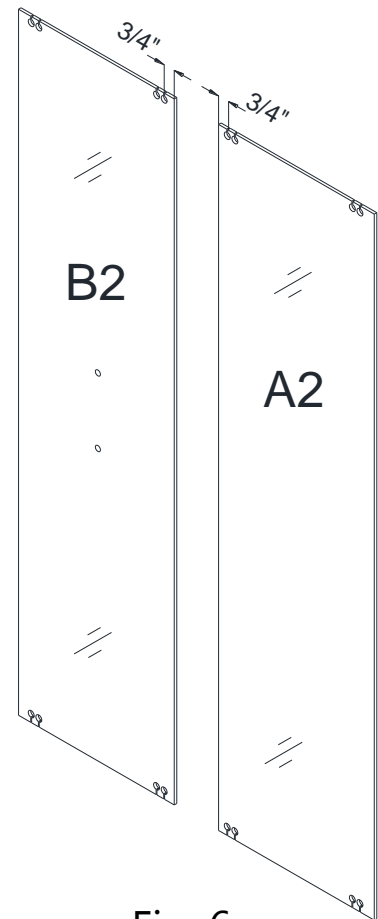


Fig. 6

- Attach the top and the bottom **Roller hinges (#12)** to the left edge of the **Glass door B2 (#05)**. Mind the position of the **Roller hinges (#12)** on the glass.

See Fig. 7 and Fig. 10 for details.

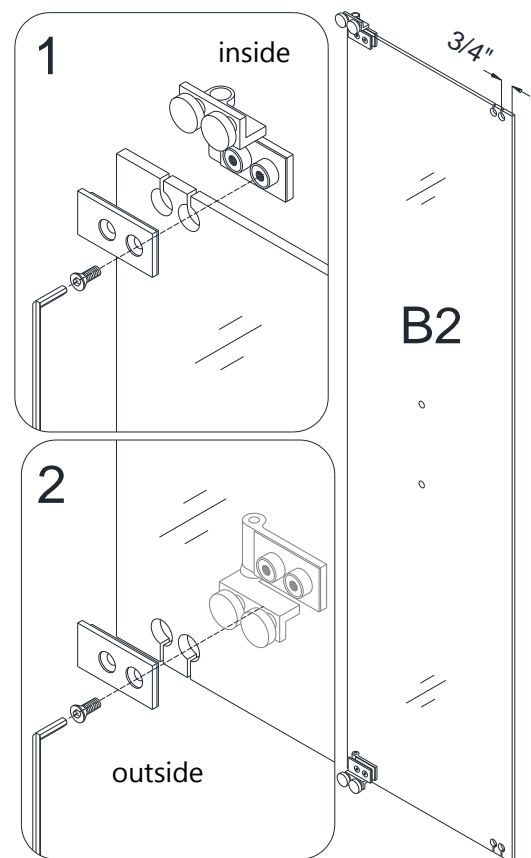


Fig. 7



7. Attach the top and the bottom **Hinges (#13)** to the right edge of the **Glass door A2 (#04)**. Mind the position of the **Hinges** on the glass.

See Fig. 8 and Fig. 10 for details.

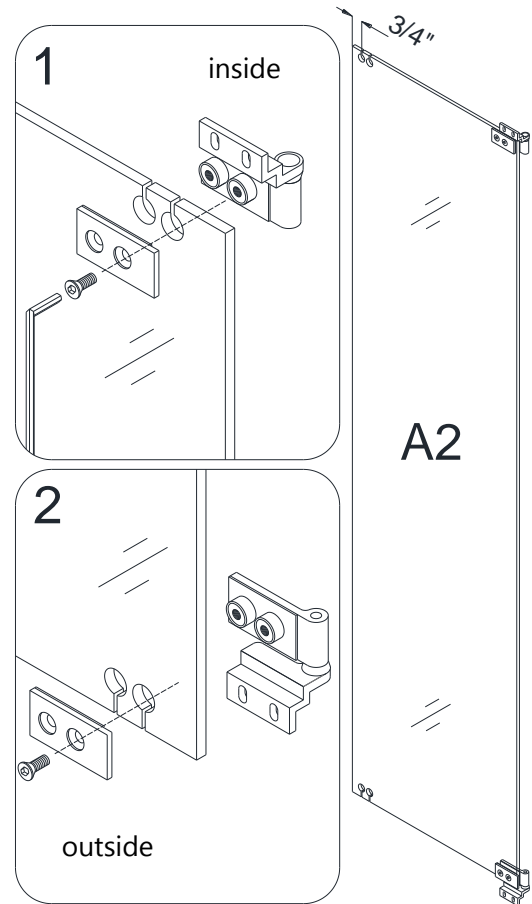


Fig. 8

8. Connect the **Glass door B2 (#05)** to the **Glass door A2 (#04)** using **Middle hinges (#11)**. Mind the position of the **Middle hinges** on the glass.

See Fig. 9 and Fig. 10 for details.

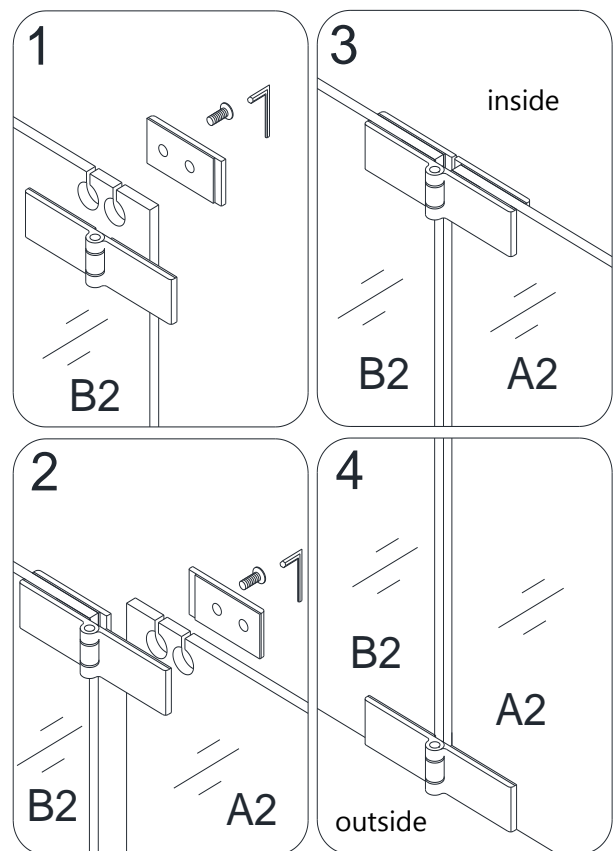


Fig. 9

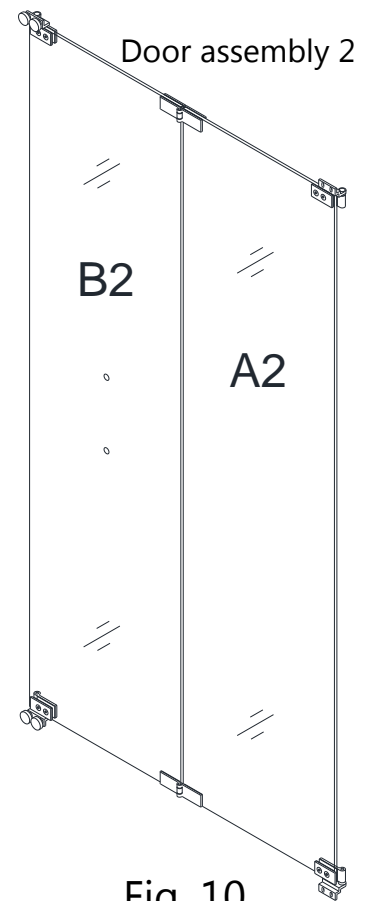


Fig. 10

9. Locate the **Guide rails (#03)** and the **Glass profile (#02)**. Connect the left end of the **Guide rails (#03)** to the **Glass profile (#02)** using the **Truss head screws ST4.2×40 (#09)**.

See Fig. 11 for details.

**NOTICE:**

Make sure that the Seal strip flange on the **Glass profile (#02)** is pointing in towards the shower.

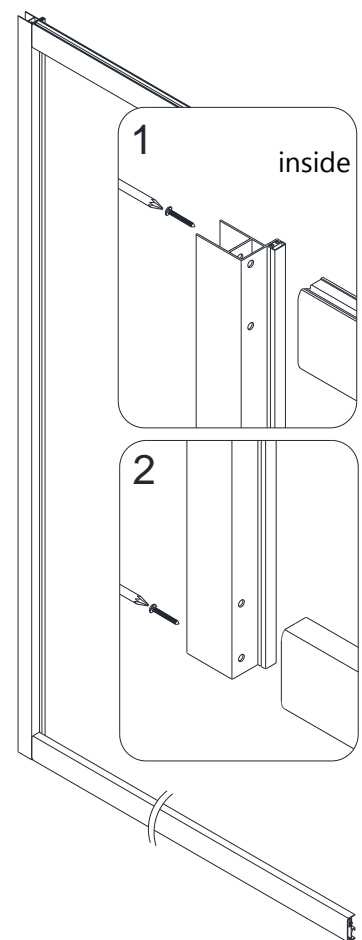


Fig. 11

10. Slide the pre-installed **Door assembly 1** (as shown in Fig. 5) into the channel of the **Guide rails (#03)** from the right side.

See Fig. 12 and Fig. 13 for details.

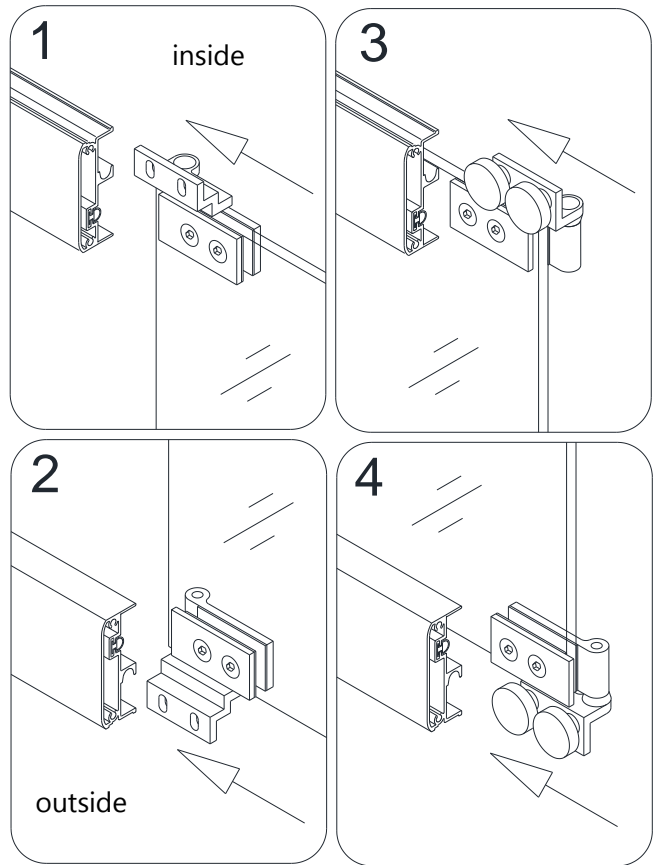


Fig. 12

11. Secure the **Hinges (#13)** inside the **Guide rails (#03)** using the **Truss head screw ST4.2×12 (#08)**.

See Fig. 13 for details.

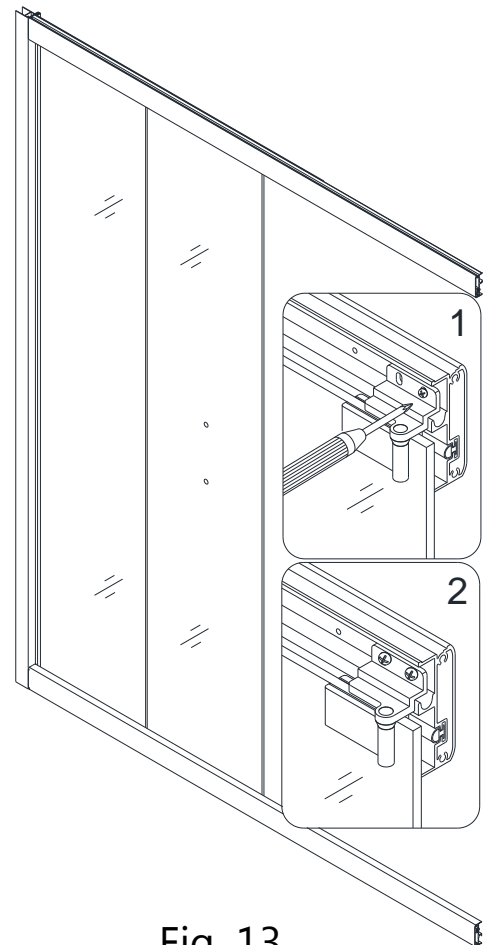


Fig. 13

12. Slide the pre-installed **Door assembly (#02)** (as shown in Fig. 10) into the channel of the **Guide rails (#03)** from the right side.

See Fig. 14 and Fig. 15 for details.

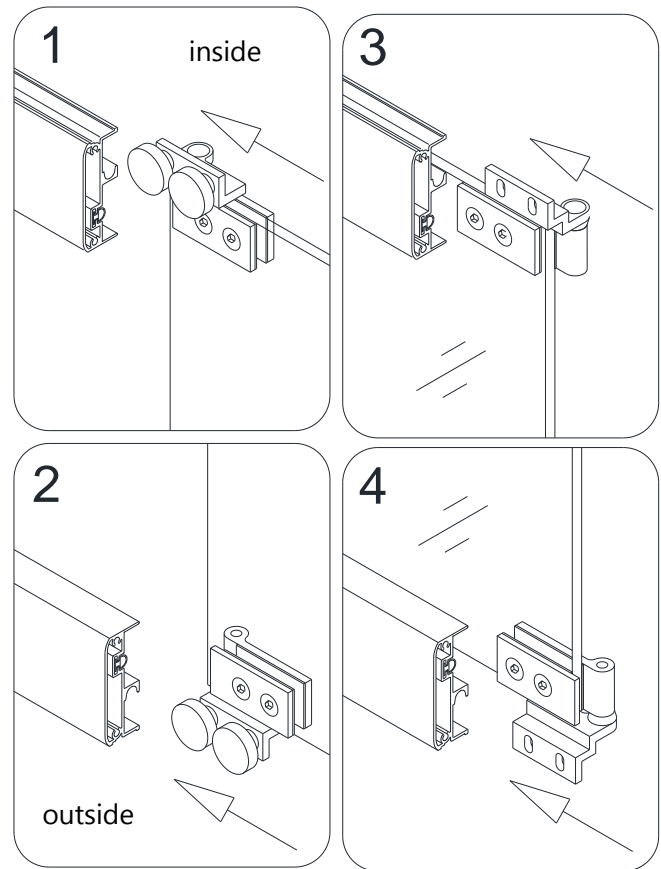


Fig. 14

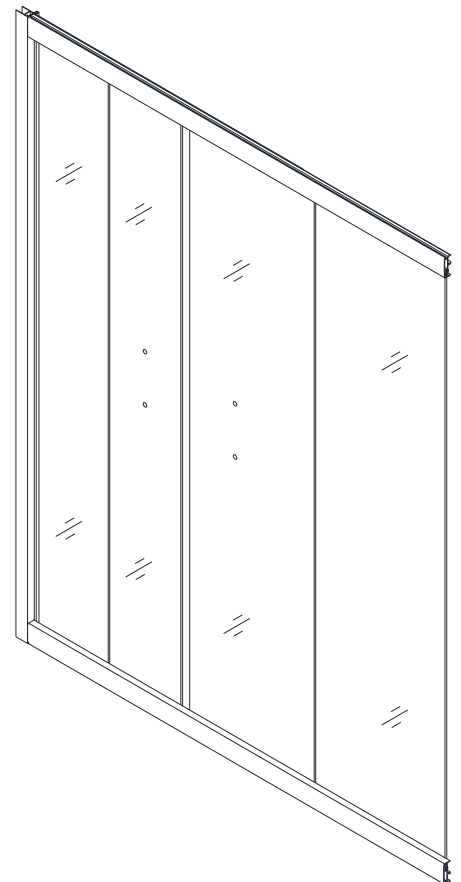


Fig. 15

13. Attach the other **Glass profile (#02)** at the right side of the door unit and fasten it to the **Guide rails (#03)** with the **Truss head screw ST4.2×40 (#09)**.

See Fig. 16 and Fig. 18 for details.

**NOTE:**

Make sure that the Seal strip flange on the **Glass profile (#02)** is pointing inside the Shower.

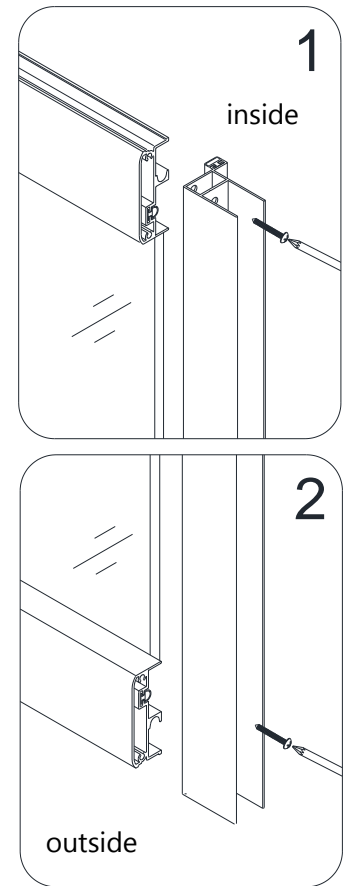


Fig. 16

14. Secure the right **Hinges (#13)** inside the **Guide rails (#03)** using the **Truss head screw ST4.2×12 (#08)**.

See Fig. 17 and Fig. 18 for details.

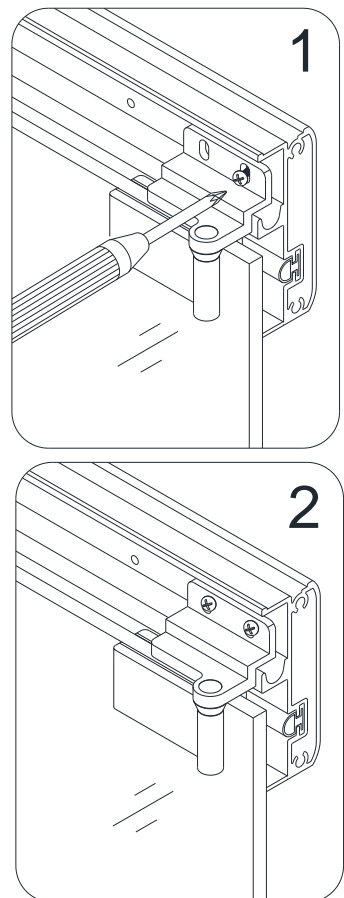


Fig. 17

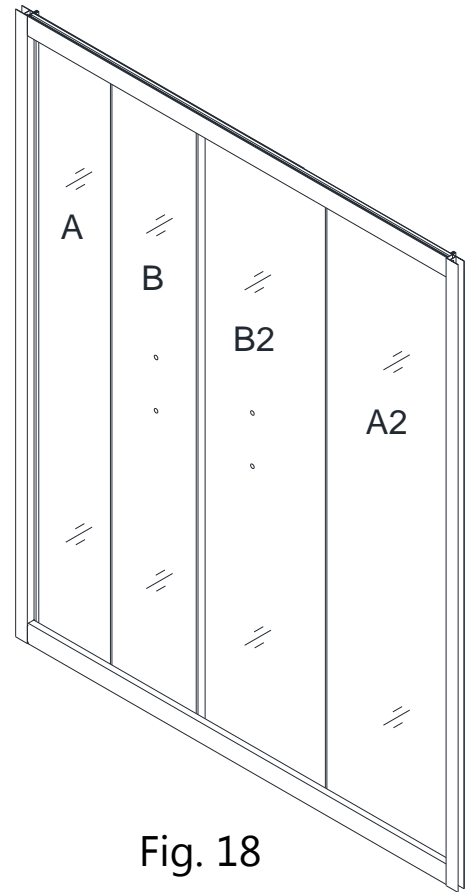


Fig. 18

15. Attach the **Roller stoppers (#16)** inside the top and the bottom **Guide rails (#03)** with the **Truss head screw ST4.2×12 (#08)**.

See Fig. 19 for details.

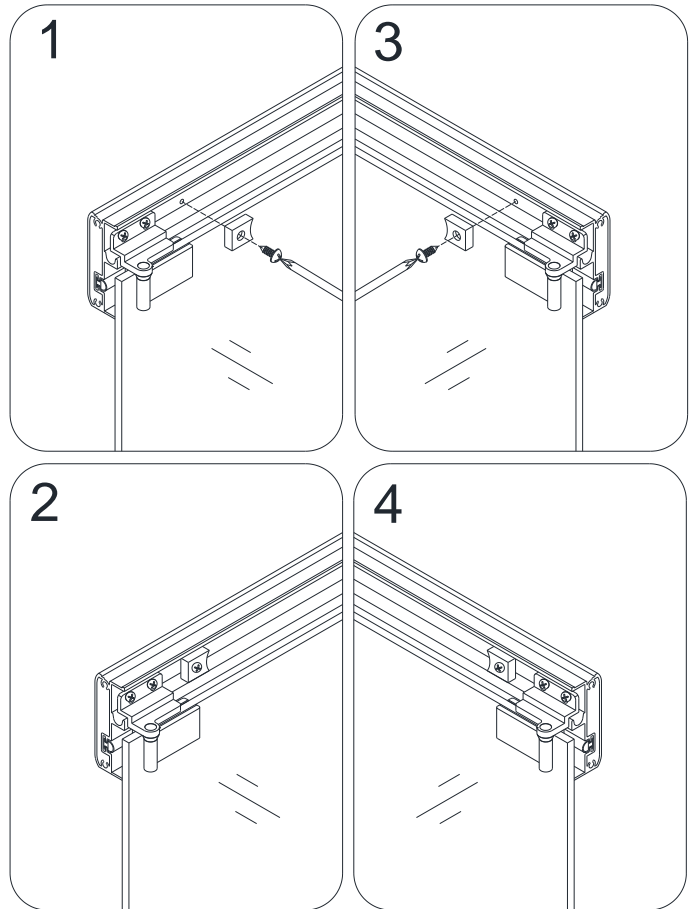


Fig. 19

16. Push the **Wall profiles (#01)** over the **Glass profiles (#02)** on both sides. Be sure that the flanges with predrilled holes are pointing in towards the shower.

See Fig. 20 and Fig. 21 for details.

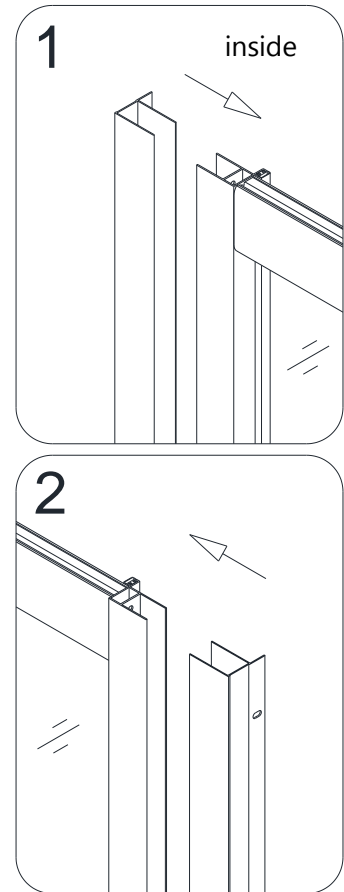


Fig. 20

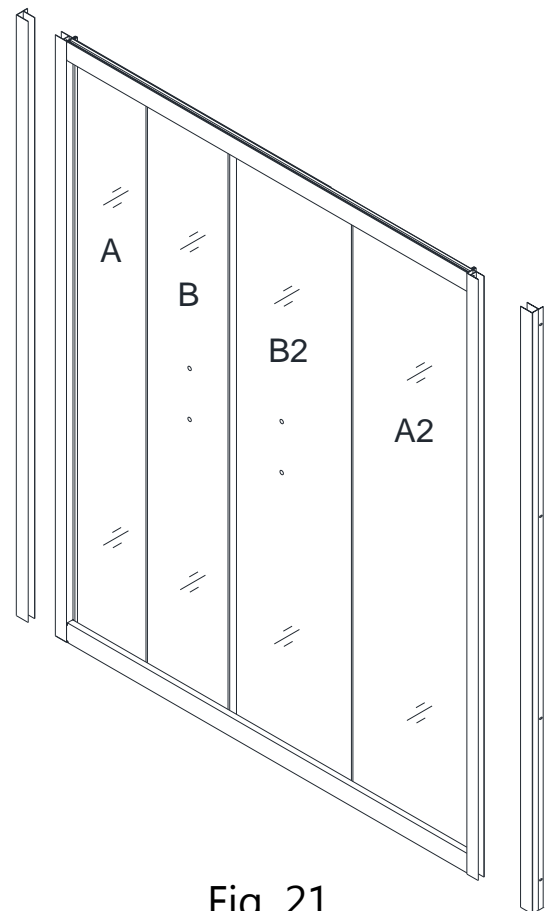


Fig. 21

17. Place the assembled Door unit onto the Tub deck and butt the **Wall profiles (#01)** tight up against the walls. Level (plumb) the Door unit vertically. You can adjust the position of the Door unit by slightly pulling the **Glass profiles (#02)** out of the **Wall profiles (#01)** as necessary.

See Fig. 22 for details.

**Note:** This model comes with asymmetrical-sized door glass. The narrower glass (panels A and B) should be installed on the shower head side to allow clearance for the shower controls.

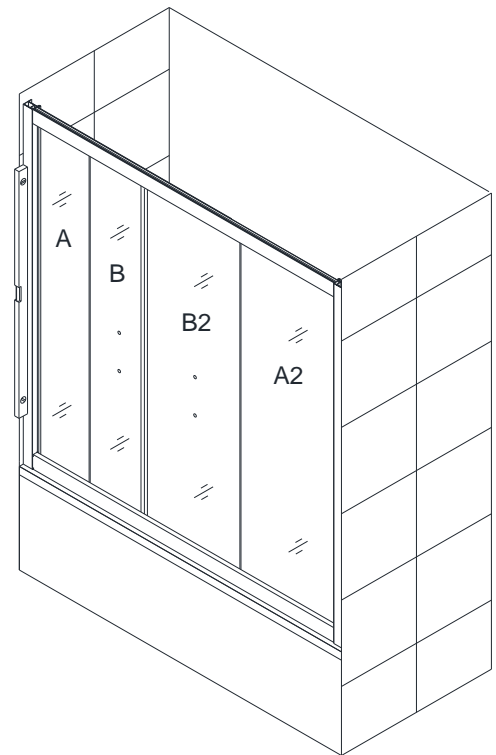


Fig. 22

18. Trace the drilling holes on the wall through the predrilled holes in the **Wall profiles (#01)**. Move the Door unit aside. Drill the holes on the wall using **Ø 5/16 drill bit** and insert the **Wall anchors (#06)**. Apply a bead of silicone on the wall along the drilled holes and around the holes. Apply a bead of silicone on the tub deck along the bottom **Guide rail (#03)**. Place the assembled Door unit back to the designated position on the Tub. Fasten the **Wall profiles (#01)** to the wall with the **Truss head screws ST4.2×40 (#09)**.

See Fig. 23 for details.

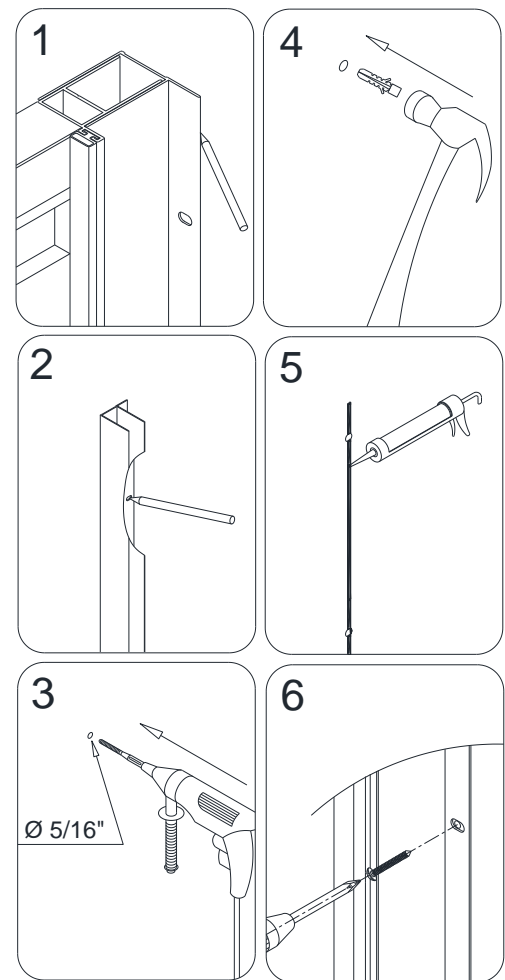


Fig. 23

Fig. 23



19. Make final adjustments if needed. Drill the holes through the first layer into the **Wall profiles (#01)** and the **Glass profiles (#02)** using  $\text{Ø } 1/8$  drill bit.

Secure the **Wall profiles (#01)** to the **Glass profiles (#02)** using the **Pan head screws ST4.2×10 (#07)** and **raised white washers**.

Cover the exposed screw heads with the **Decorative covers (#10)**.

See Fig. 24 for details.

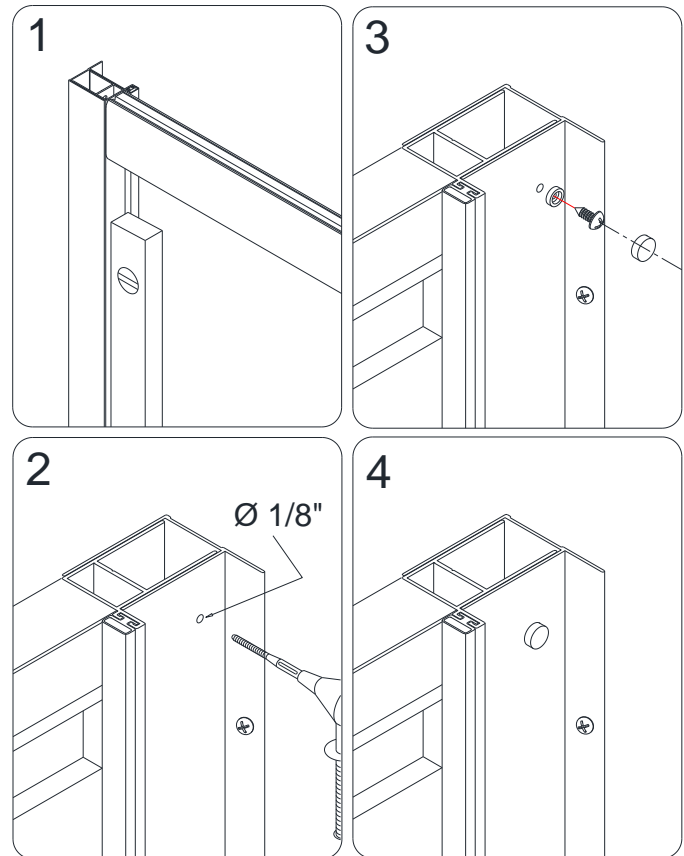


Fig. 24

20. Adjust the **Roller hinges (#12)** to make the door slide smoothly.

See Fig. 25 for details.

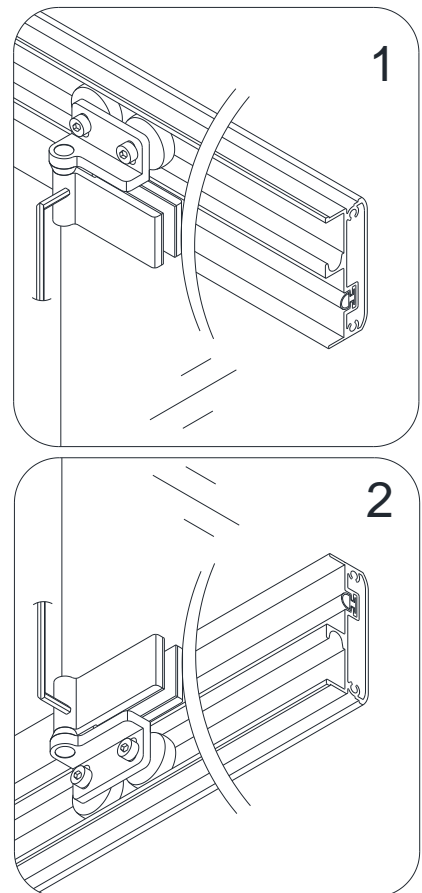


Fig. 25

21. Mount the **Handles (#17)** onto both **Glass doors B & B2 (#05)**. Cover the screw holes on the **Handles** with the provided decorative plugs.

See Fig. 26 for details.

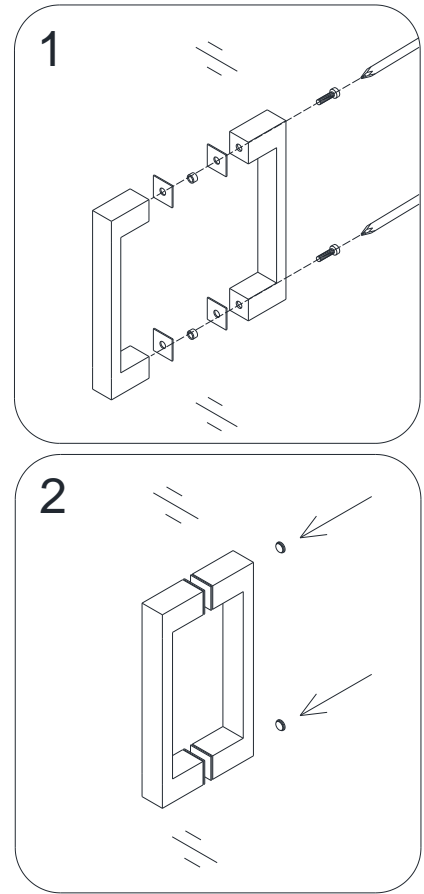


Fig. 26

22. Open the door and attach **Side anti-water strips (#15)** to both vertical edges of the **Glass doors**. The strip flange should point away from the shower faucet. Attach **Magnetic strips (#19)** to both vertical edges of the **Glass doors B & B2 (#05)**.

See Fig. 27 for details.

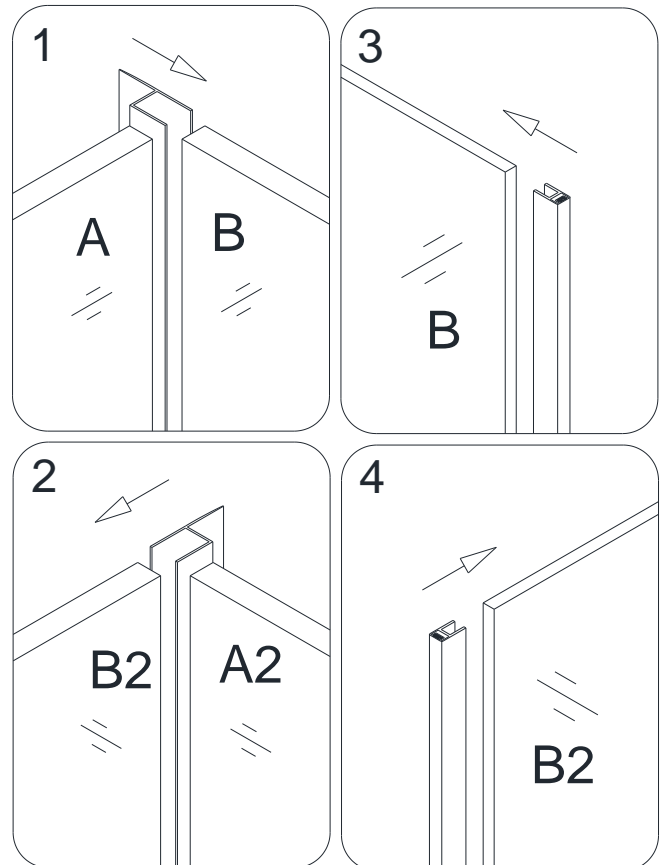


Fig. 27

23. Apply good quality mildew-resistant silicone along the entire interior perimeter where the frame meets with the walls and the threshold.

**Allow 24 hours for the silicone to fully cure before using the shower.**

See Fig. 28 for details.

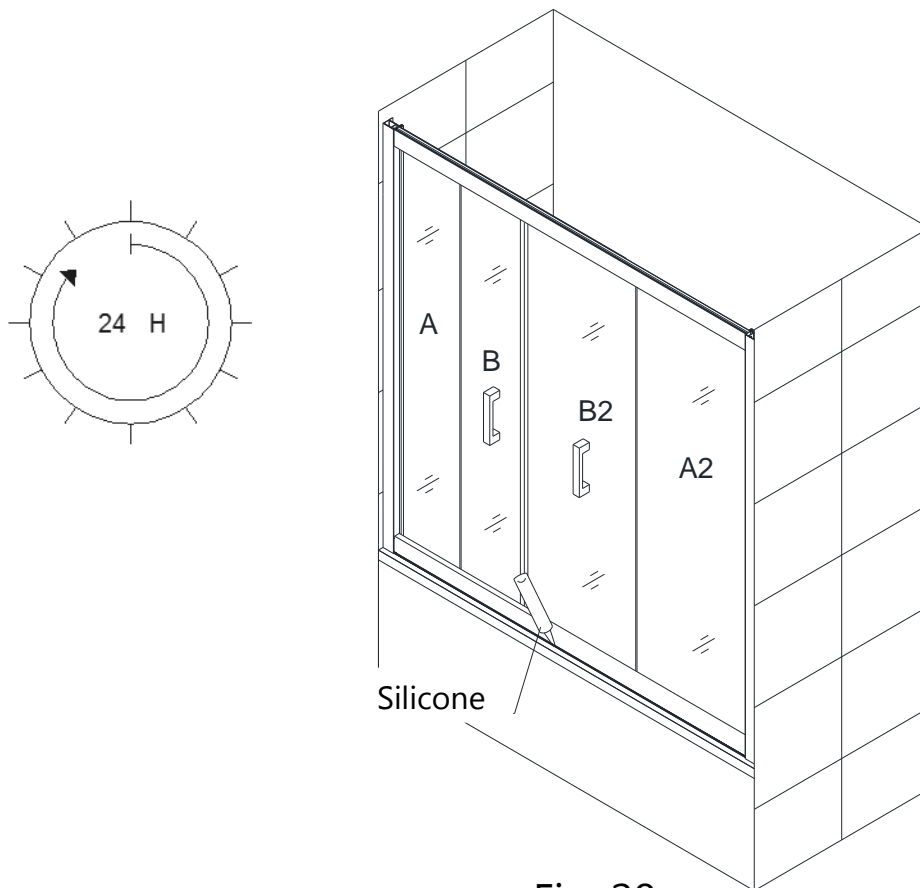


Fig. 28

## **Product Maintenance**

**BASES and BACKWALLS:** To ensure long lasting life for your acrylic back walls: wipe them off after each use with a soft cloth. To clean the acrylic back walls use non-abrasive sprays or cream based cleaners. Avoid the use of aerosol spray cleaners. Never use abrasive cleansers, metal brushes or scrapers that could scratch or dull the surface.

**GLASS:** To ensure long lasting life for your glass shower products: wipe them off after each use with a soft cloth. Rinse and wipe off the glass using either a soft cloth or a squeegee to prevent soap buildup and water spots (Hard water can etch the surface of the glass over time if left to dry). To prevent scratching the surface: never use abrasive cleaners or cleaning products that contain scouring agents. Never use bristle brushes or abrasive sponges that may scratch the surface.

**HARDWARE:** To ensure a long lasting finish: wipe off the metal parts after each use with a soft cloth. Do not use abrasive cleaners or cleaning products containing ammonia, bleach or acid. If accidentally used, rinse the surface as soon as possible to prevent damage to the finish (peeling or corrosion). After cleaning the polished finishes, rinse thoroughly and wipe dry with soft cloth. Clean stainless steel surfaces at least once a week. When applying stainless steel cleaner or polish to stainless steel hardware, work with (not across) the grain. Never use an abrasive sponge or cloth, steel wool or wired brush as these may permanently scratch the surfaces.



---

TEL: [866-731-2244](tel:866-731-2244)

FAX: 866-857-3638

[DREAMLINE.COM](http://DREAMLINE.COM)

For more information on DreamLine® Shower Doors and Tub Doors please visit [Dreamline.com](http://Dreamline.com)